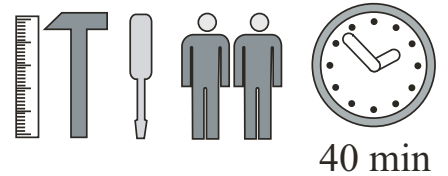
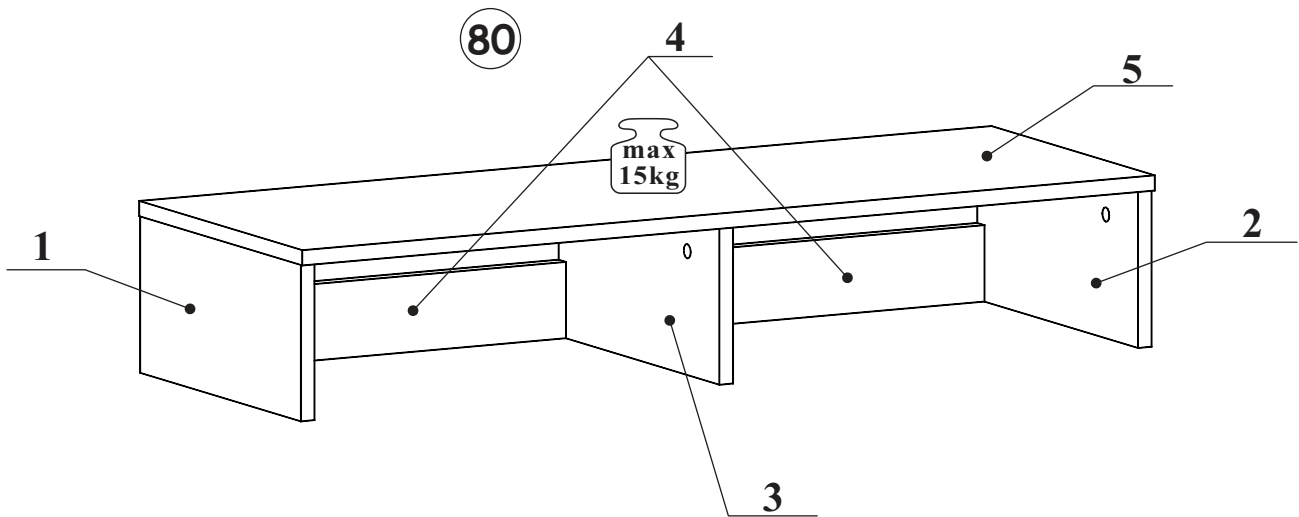
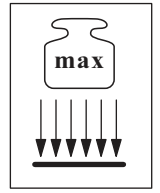
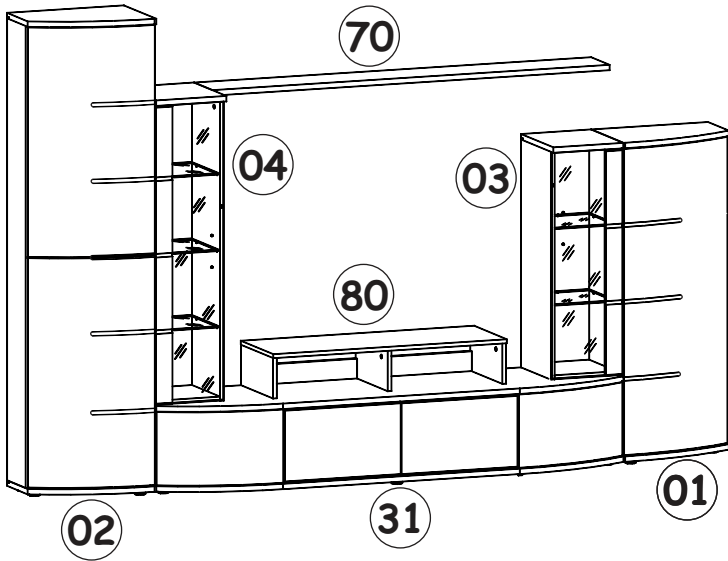


# LEAVE TYP 80

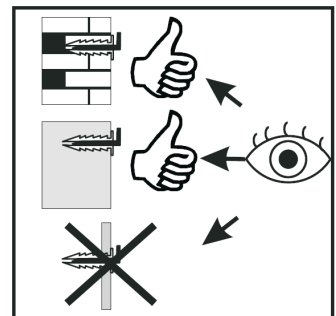
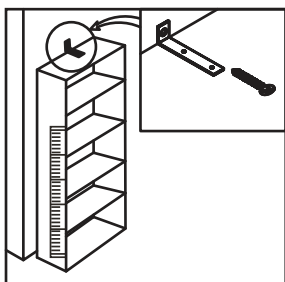
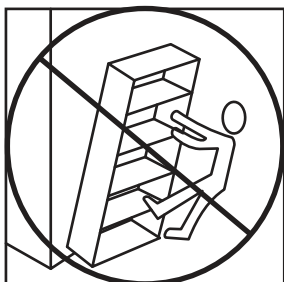
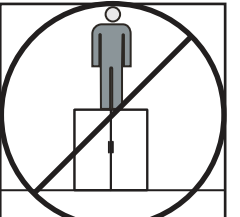
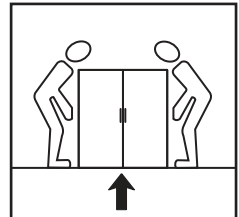
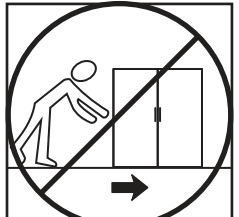
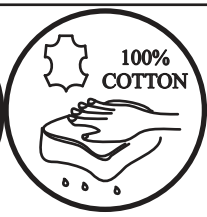
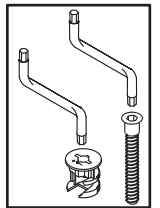
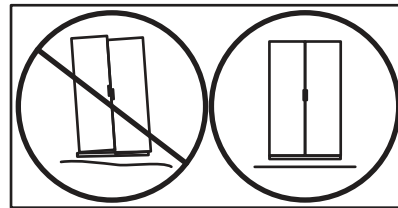
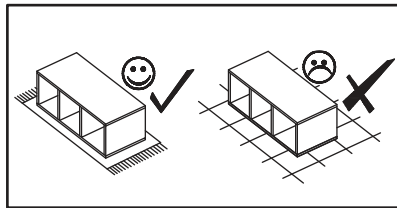
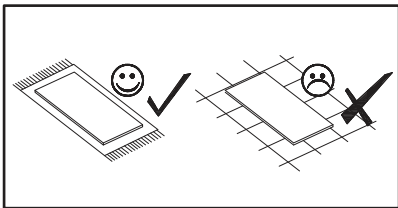
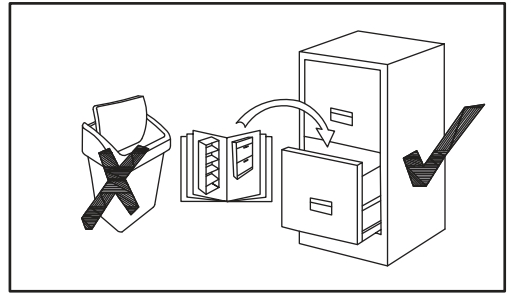
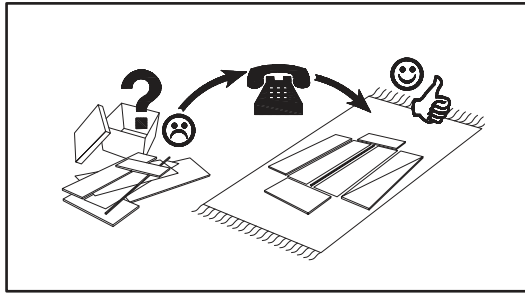
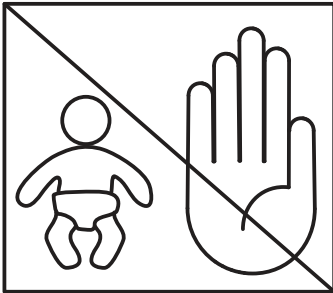
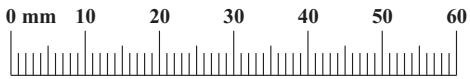


40 min

NO	Dim.[mm]			Col.-No	Qty
1	164	350	16	1	1
2	164	350	16	1	1
3	164	350	16	1	1
4	475	80	16	1	2
5	1001	355	16	1	1

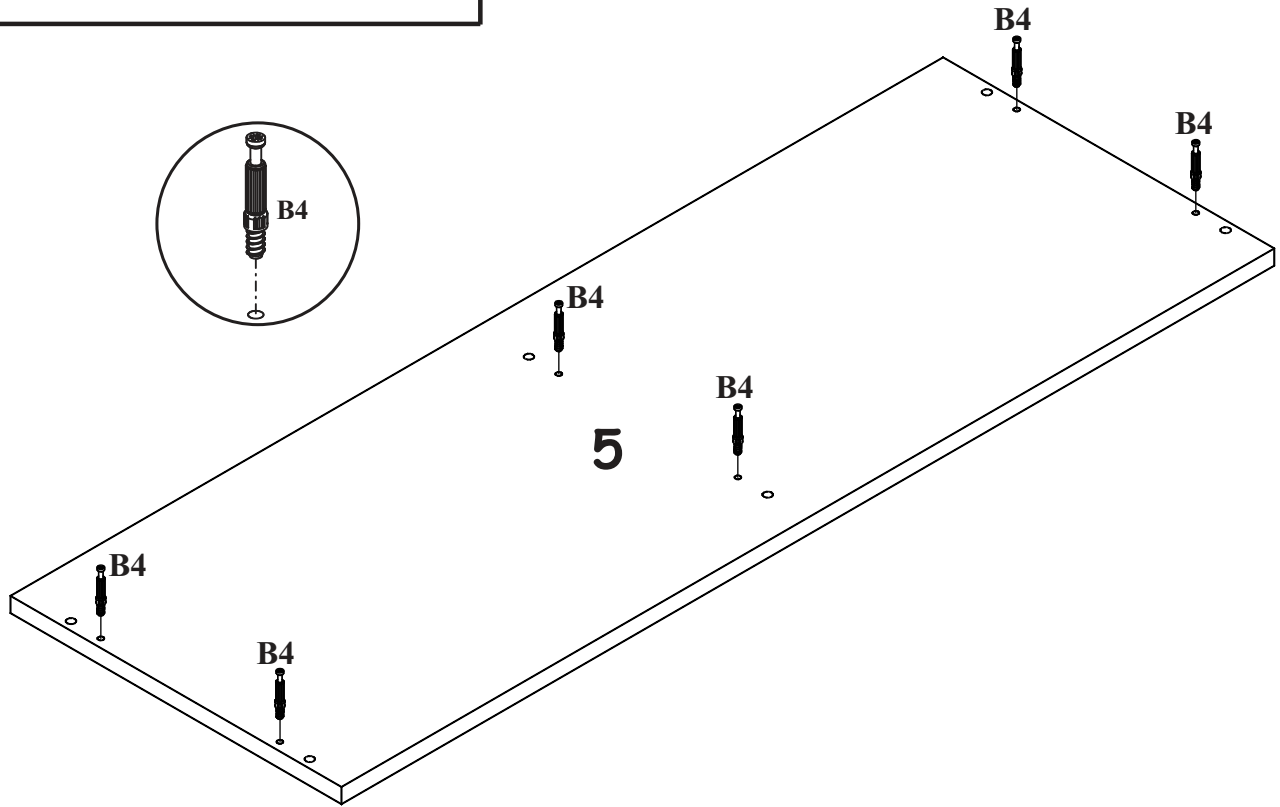
LEAVE TYP 80

A1		B4		B5		G5		B6		G2	
X10	ø8x36	X8		X10	ø15x12	X10		X1	Ø7x78	X1	

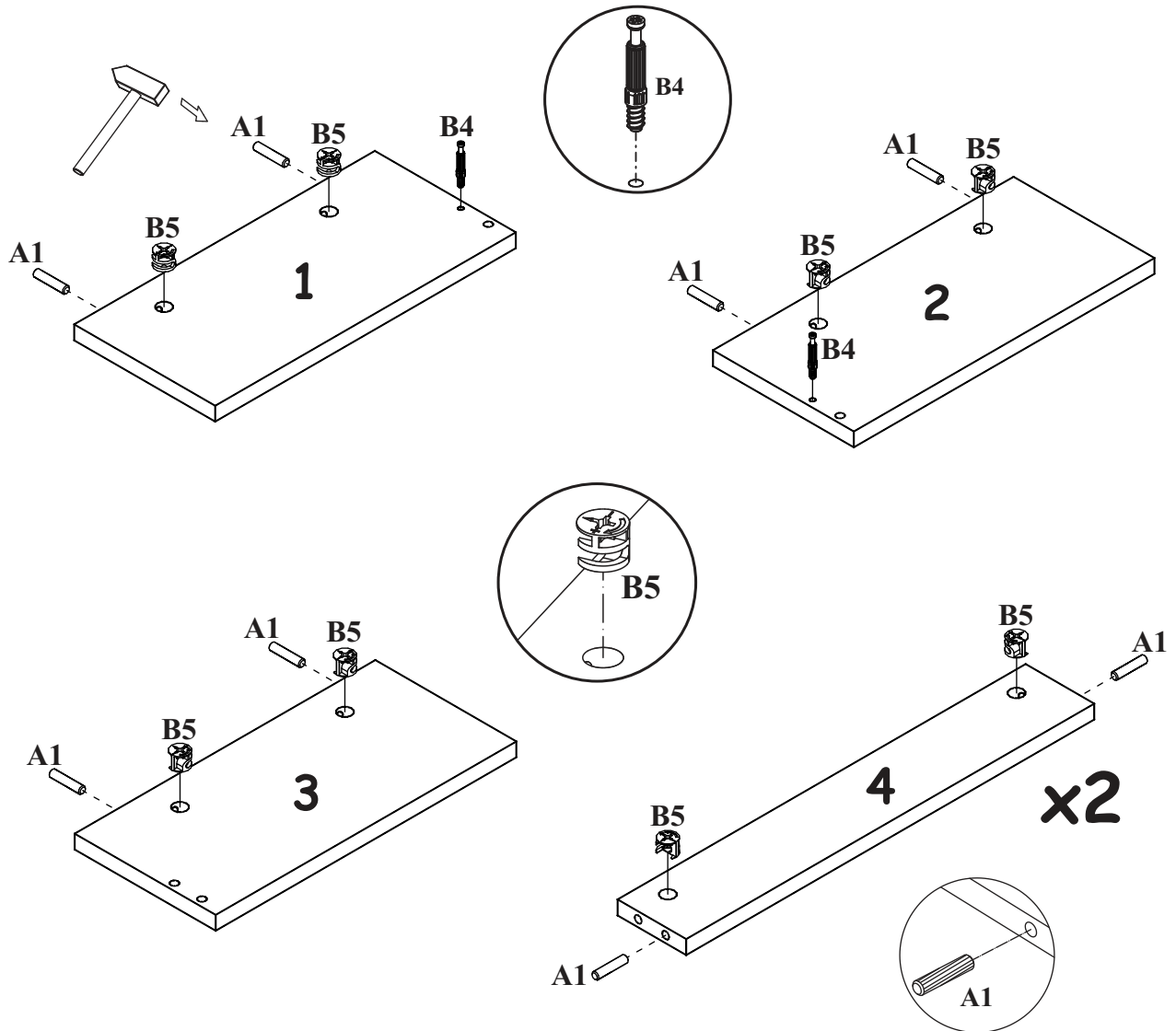


LEAVE TYP 80

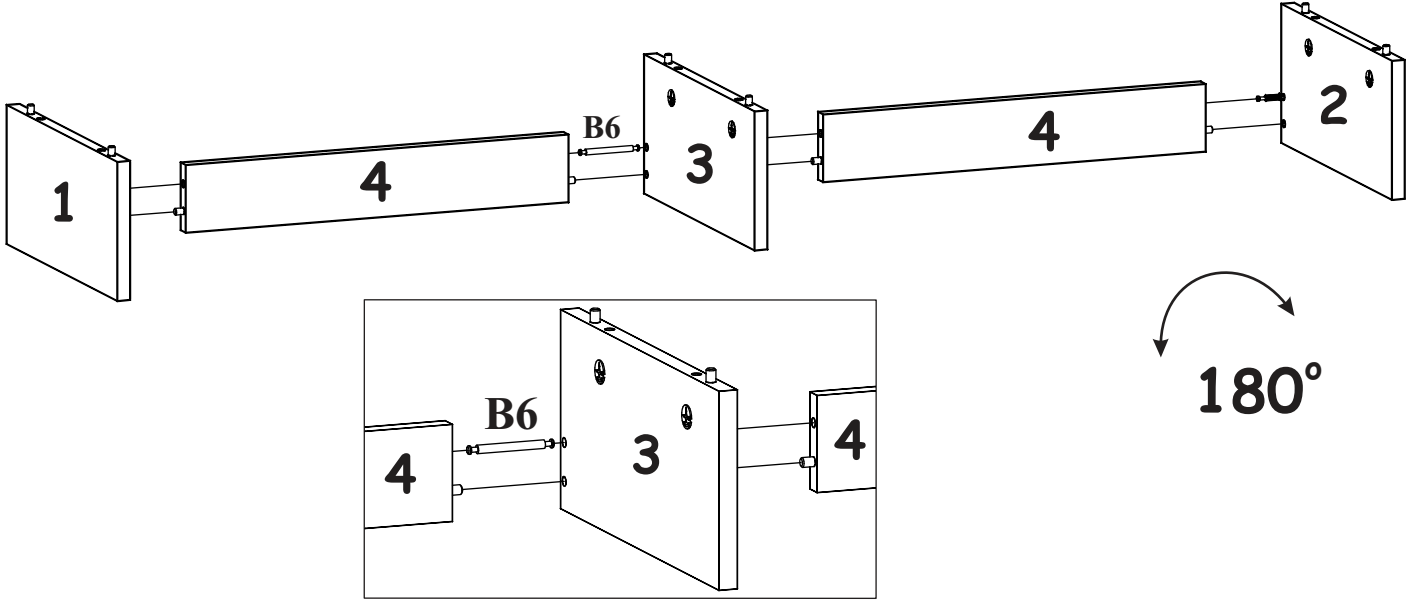
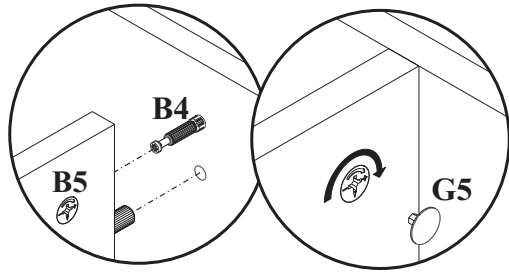
1



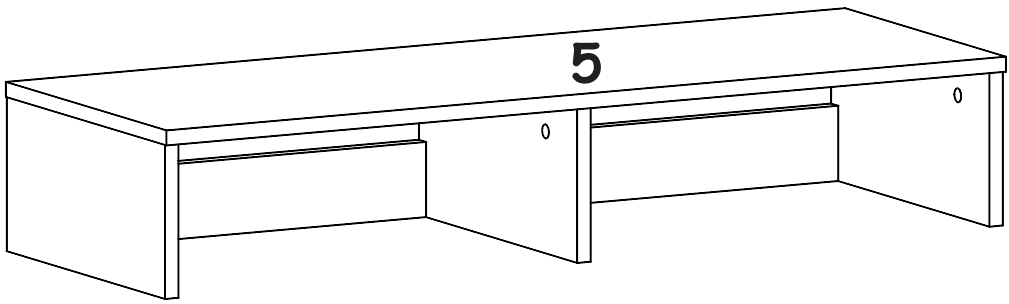
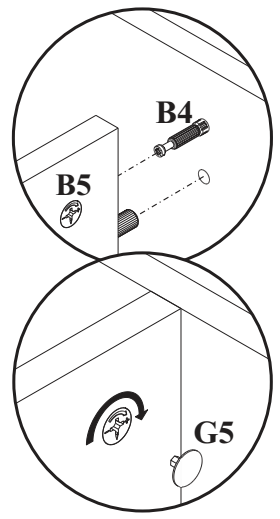
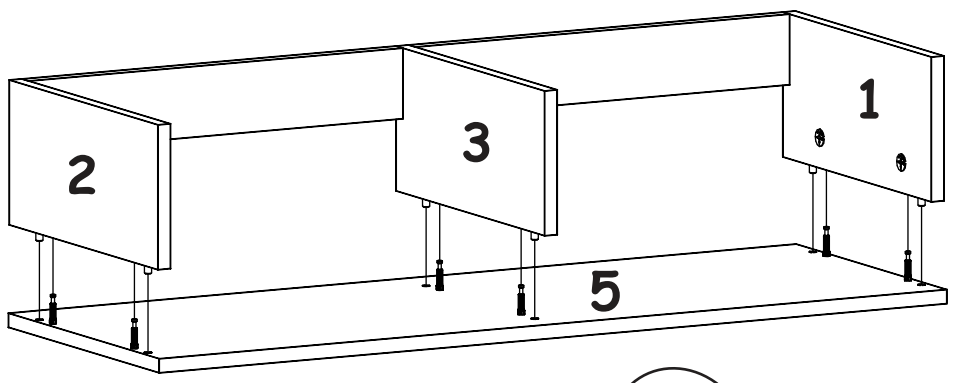
2



3

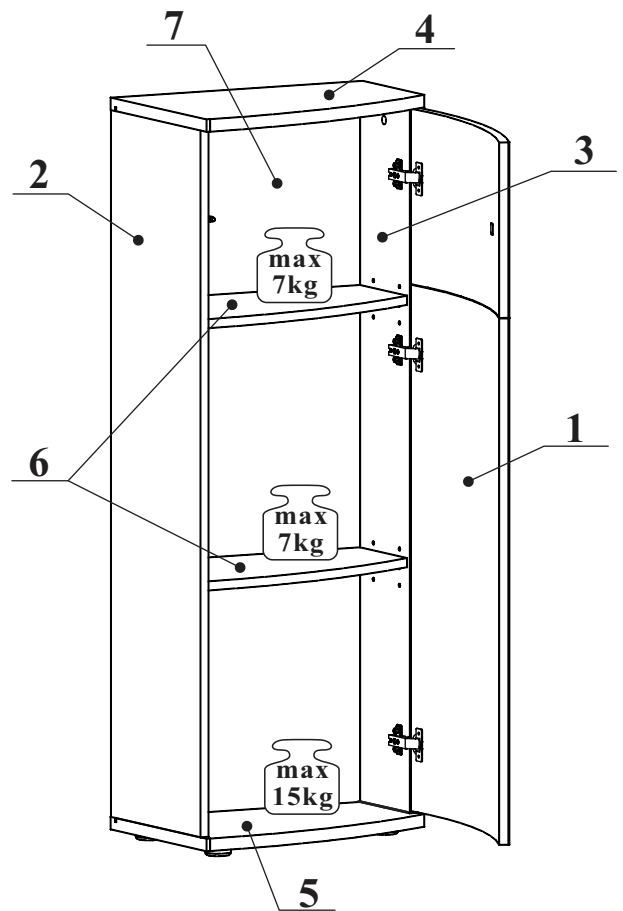
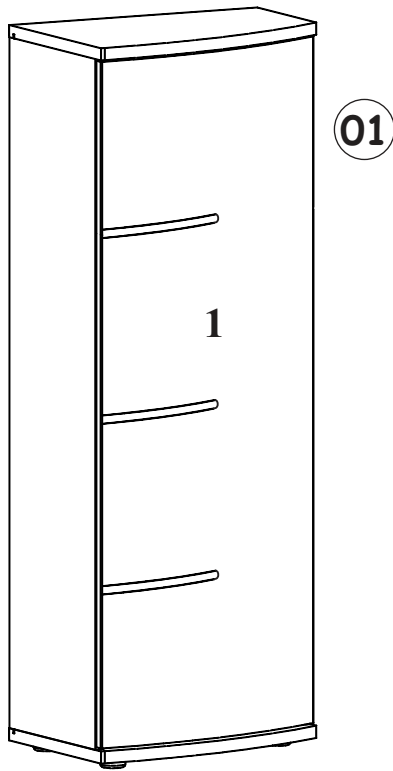
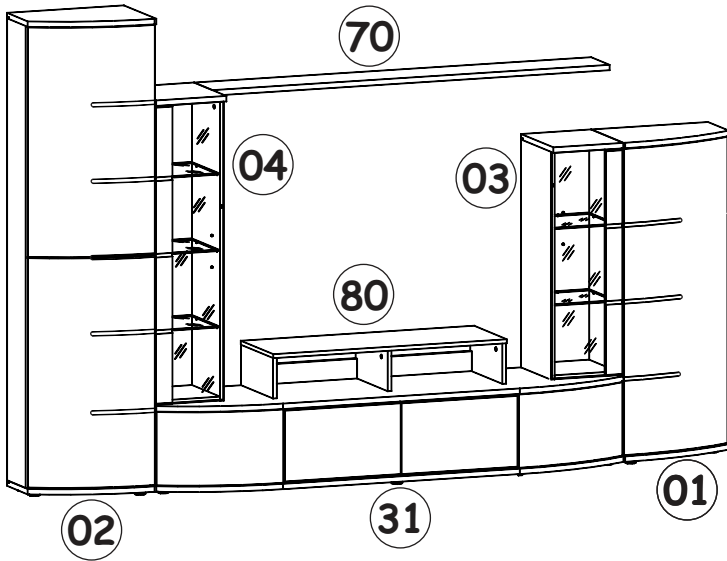


4

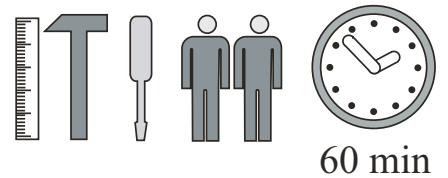




# LEAVE TYP 01

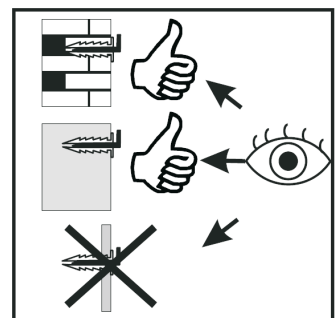
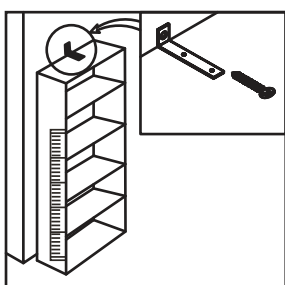
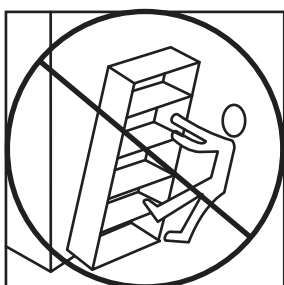
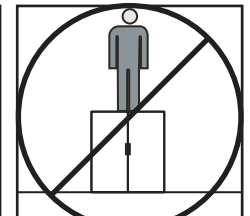
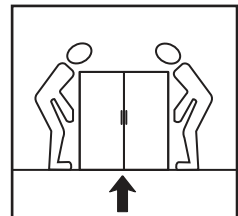
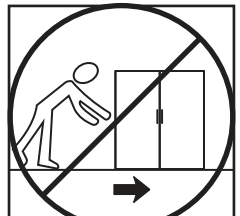
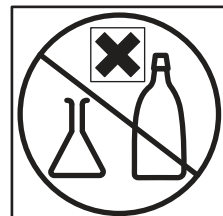
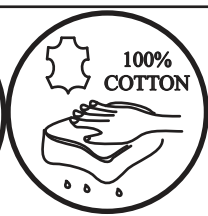
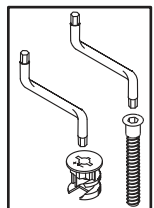
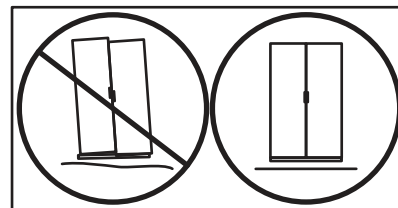
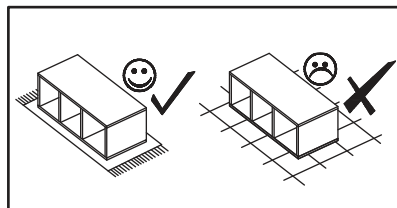
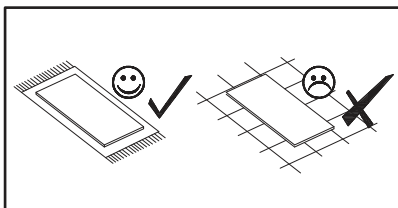
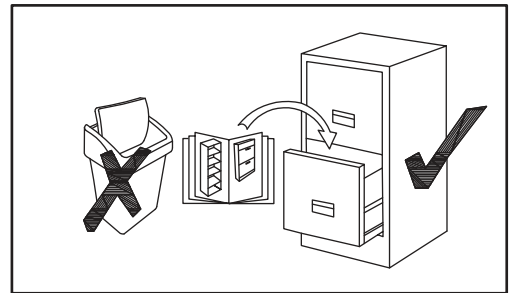
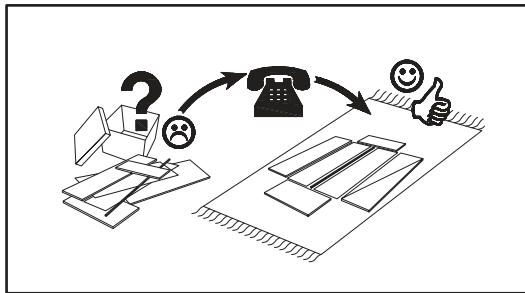
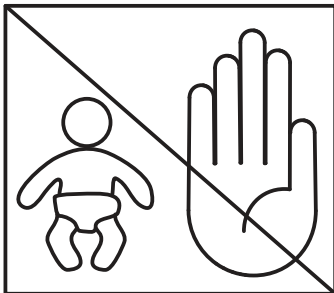
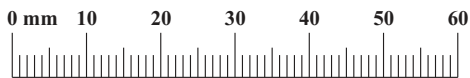


NO	Dim.[mm]			Col.-No	Qty
1	504	1237	18	1	1
2	1245	330	16	1	1
3	1245	203	16	1	1
4	501	353	22	1	1
5	501	353	22	1	1
6	468	295	16	1	2
7	1257	480	3	1	1

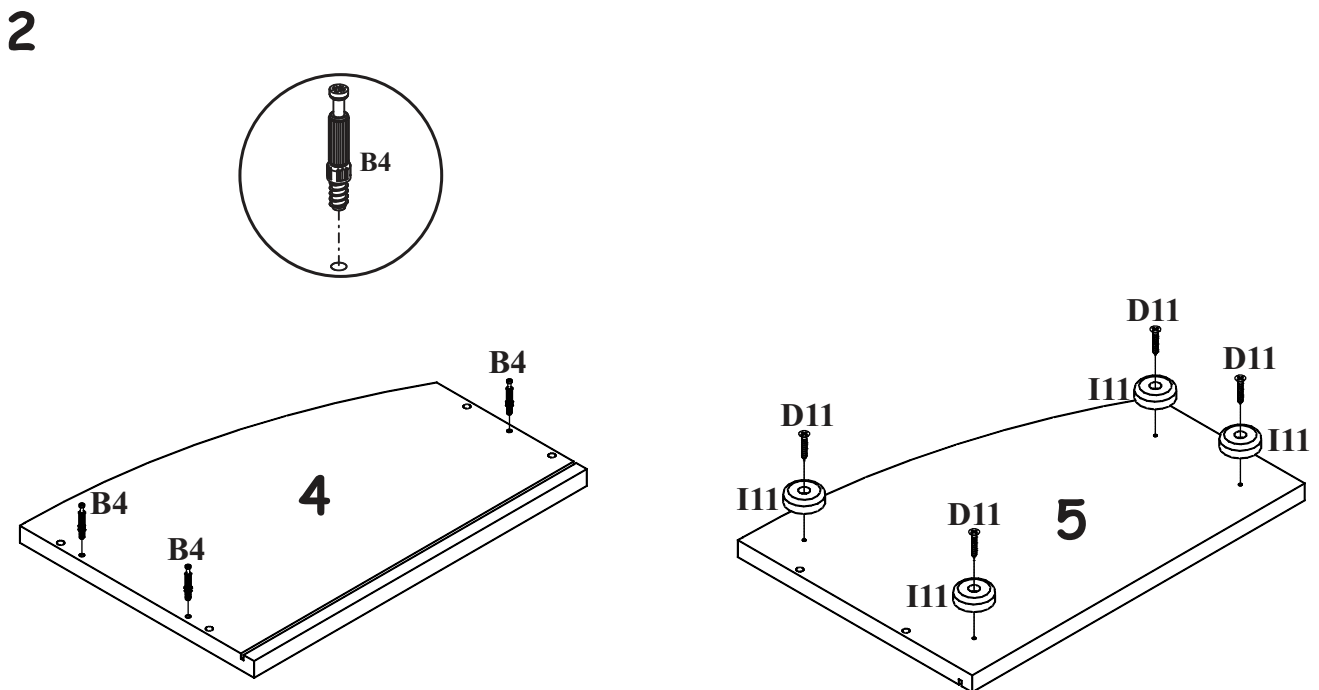
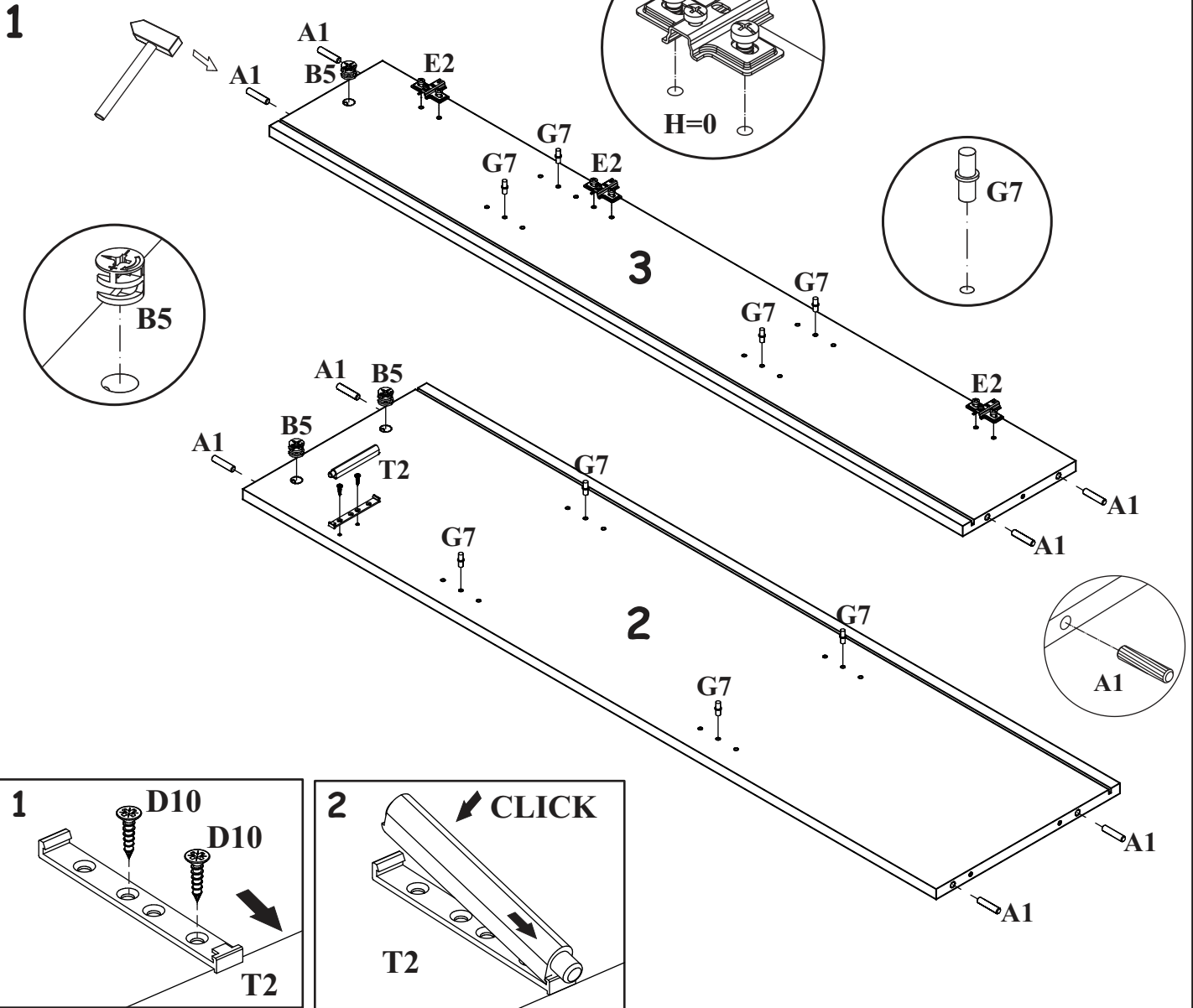


# LEAVE TYP 01

A1 X8 ø8x36	B4 X3	B5 X3 ø15x12	G5 X3	B11 X3 Ø7x50	G4 X3
E21 X3 Ø35 H=0	E2 X3 H=0	D10 X10 USØ3,5x13	T2 X1 D10	S1 X12	G7 X8
I11 X4	D11 X4 USØ3,5x25	L1 X1	KR1 X1	G2 X1	

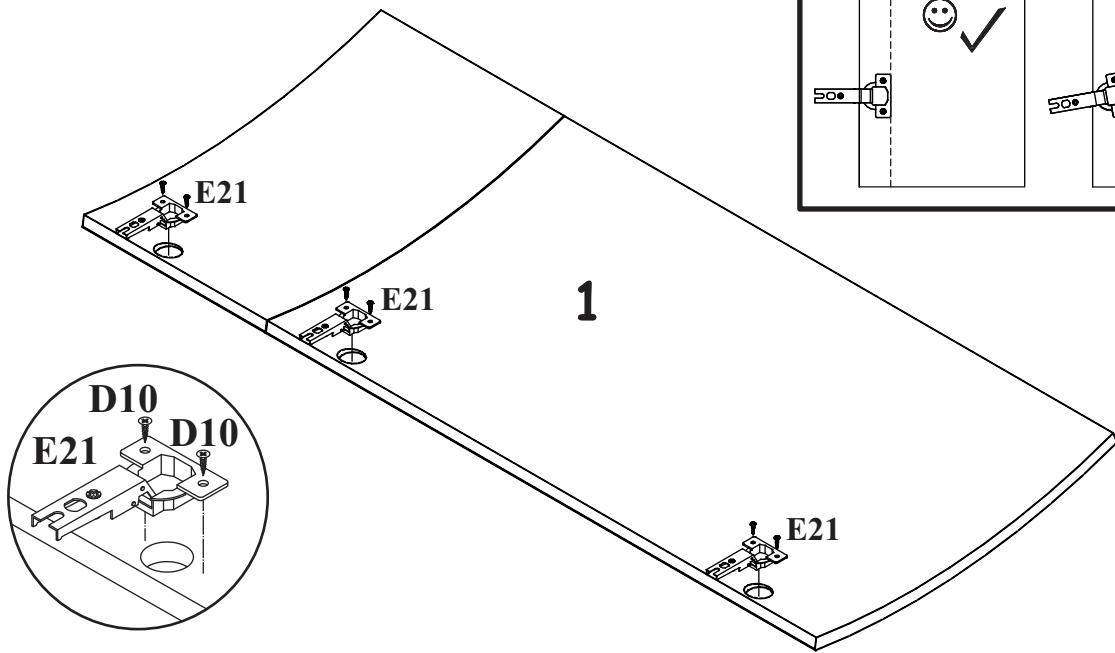


LEAVE TYP 01

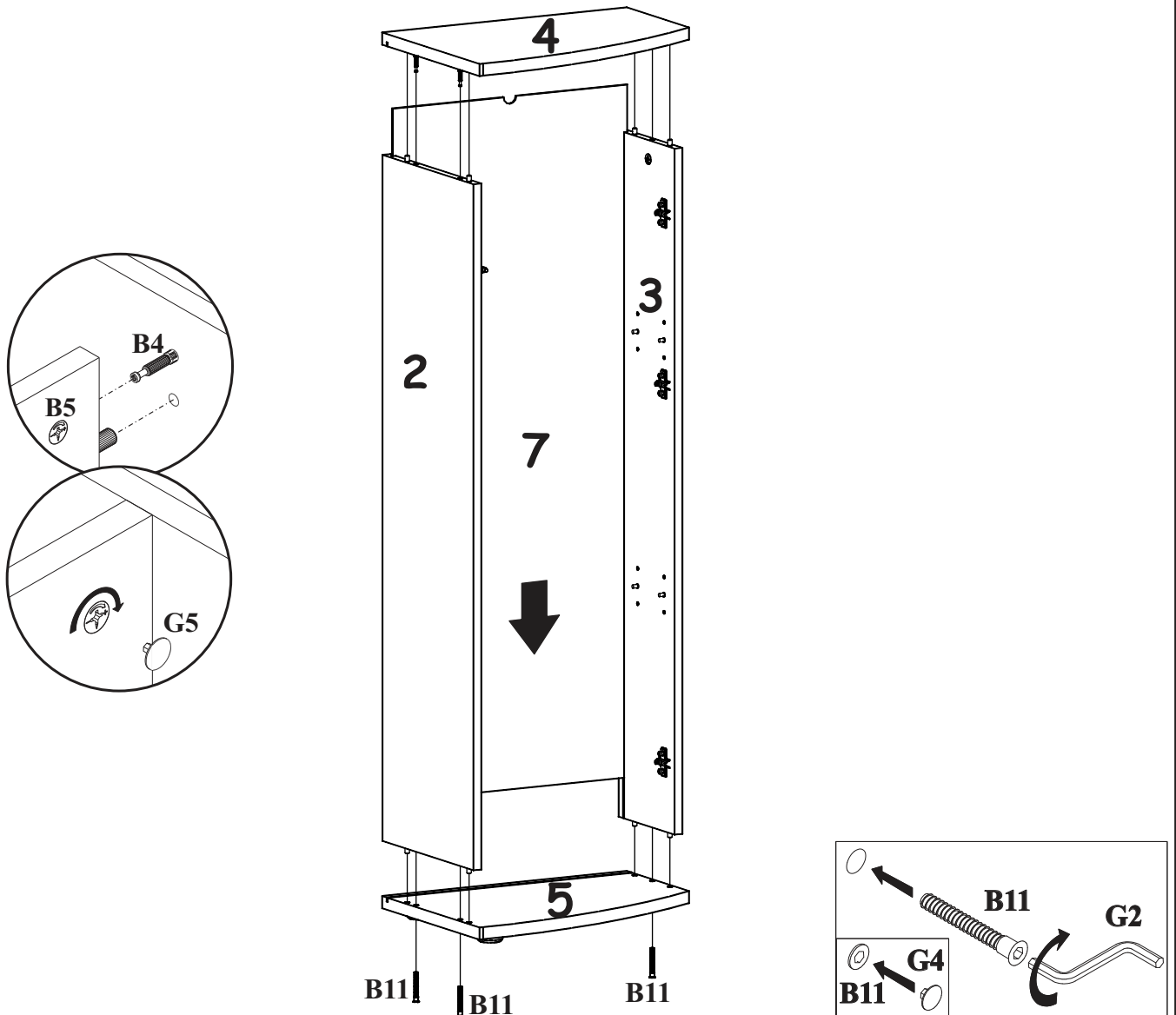


LEAVE TYP 01

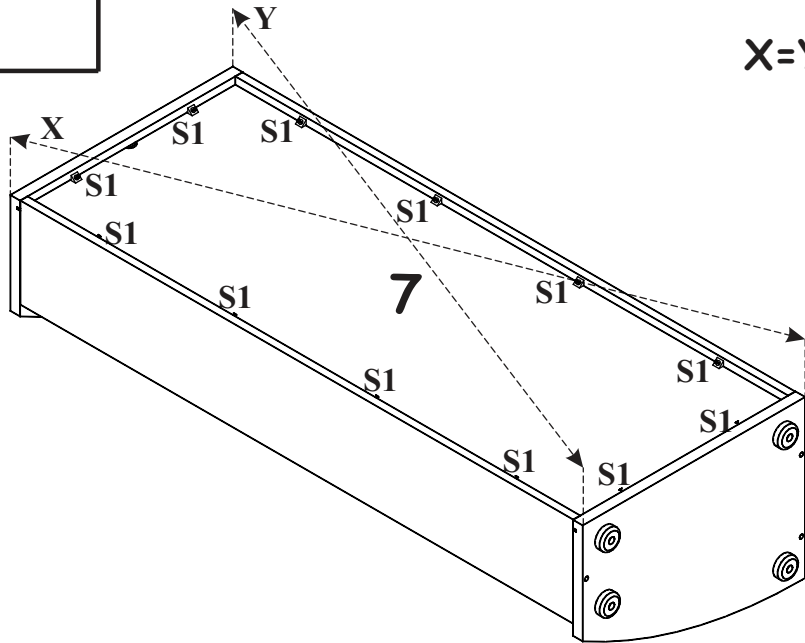
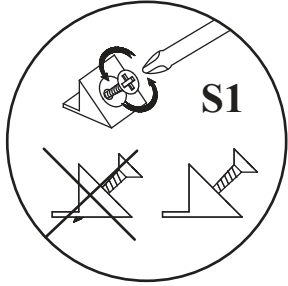
3



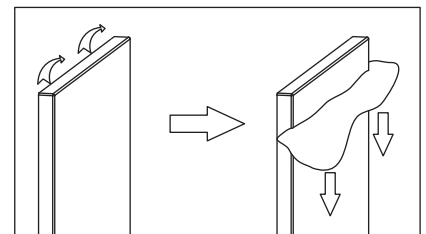
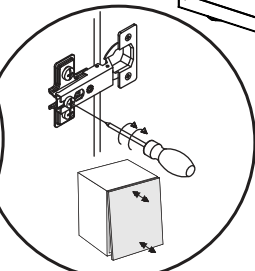
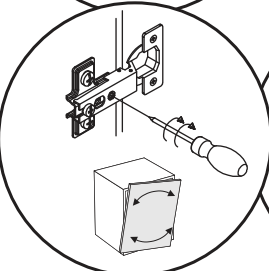
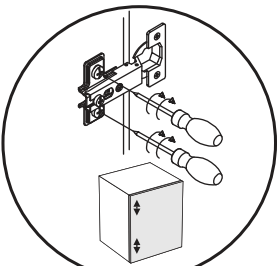
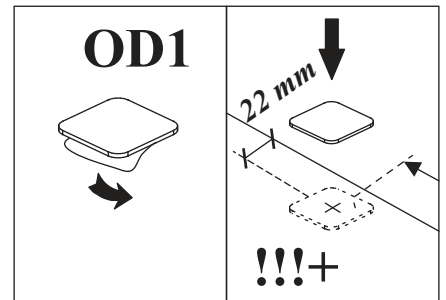
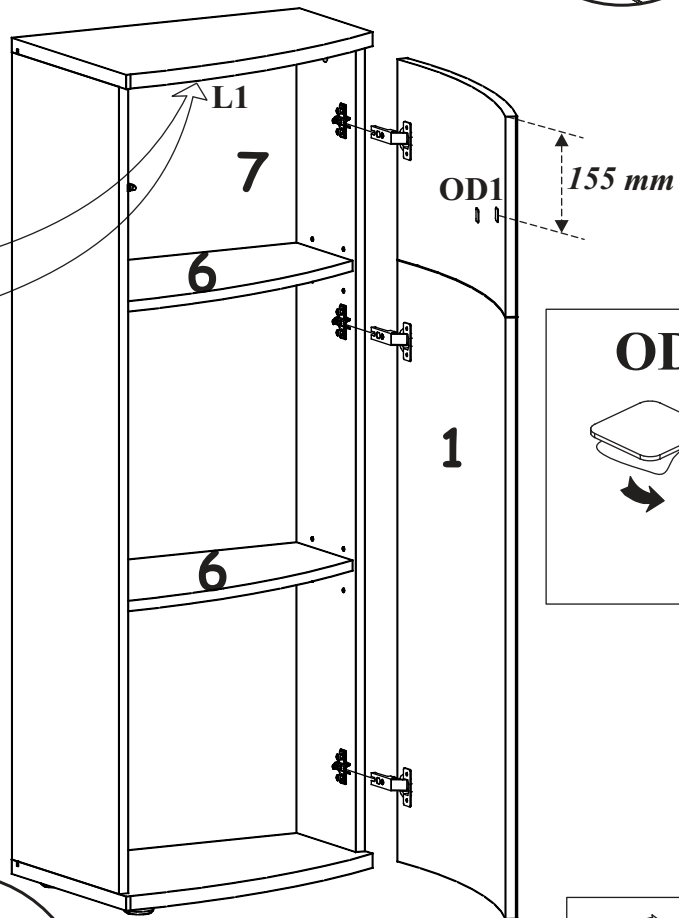
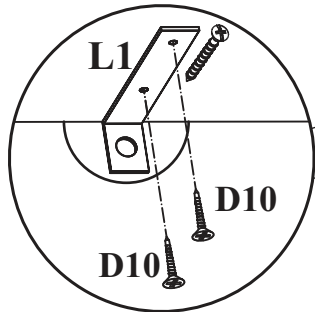
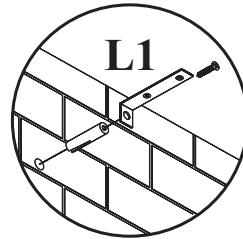
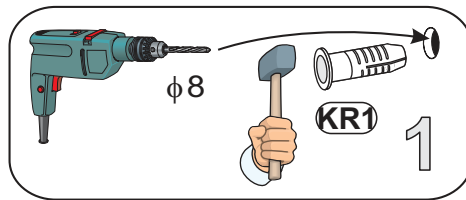
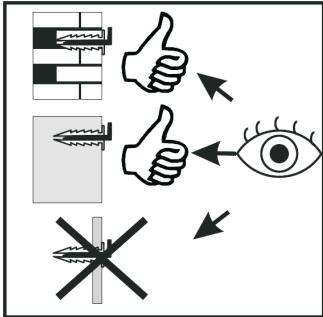
4



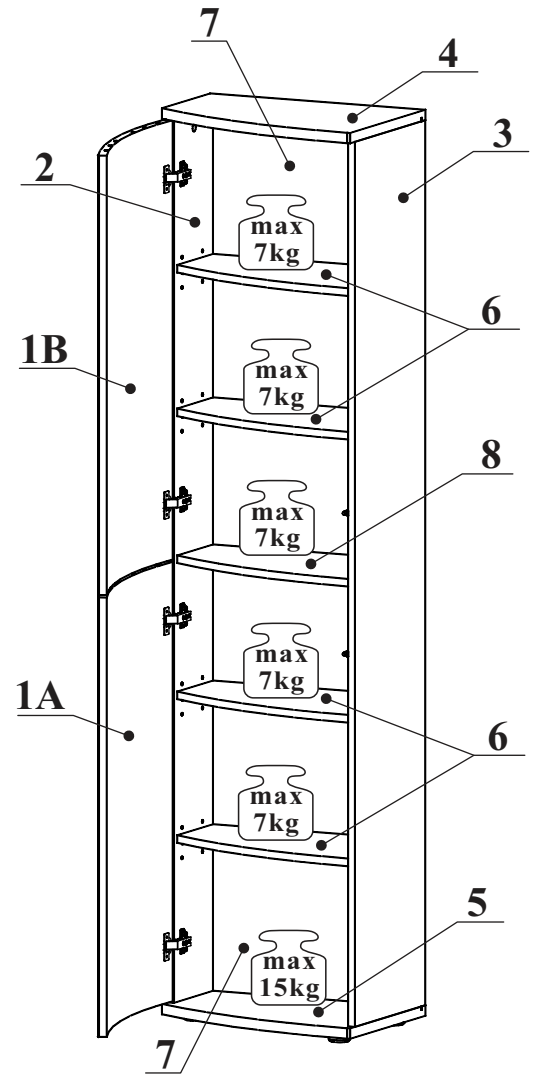
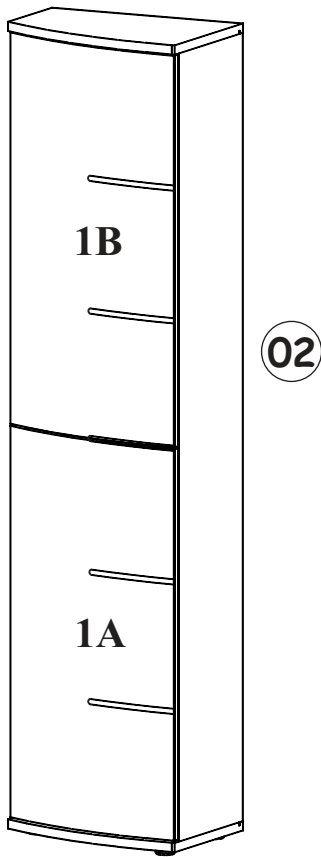
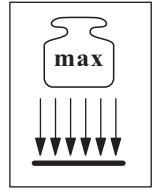
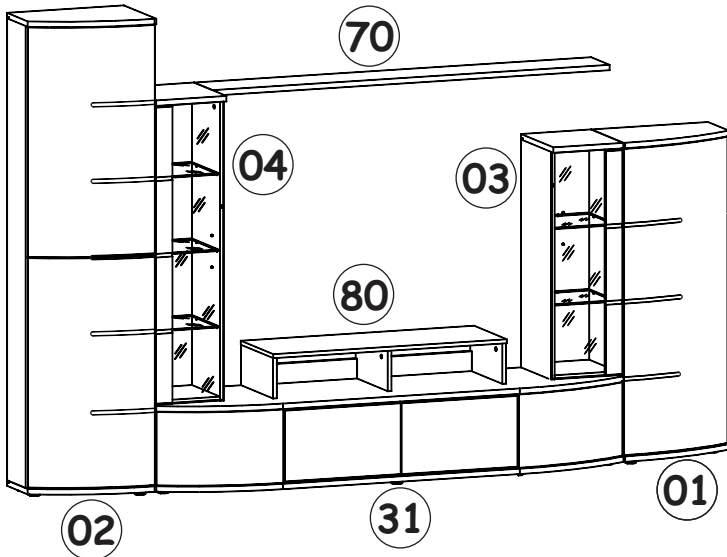
5



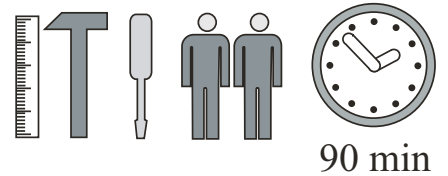
6



# LEAVE TYP 02

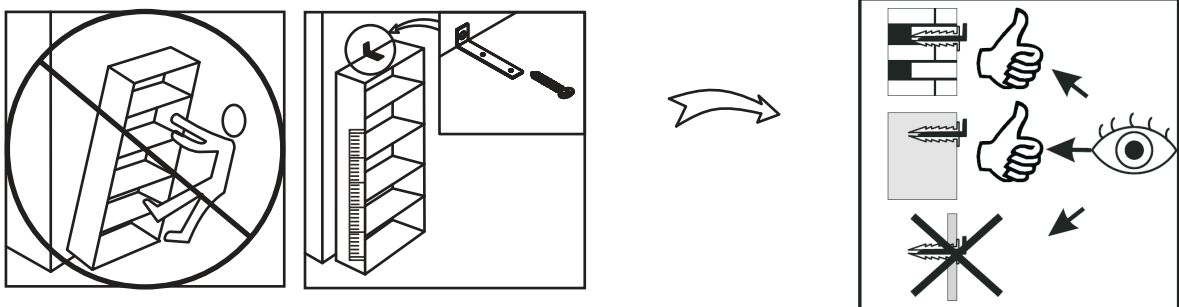
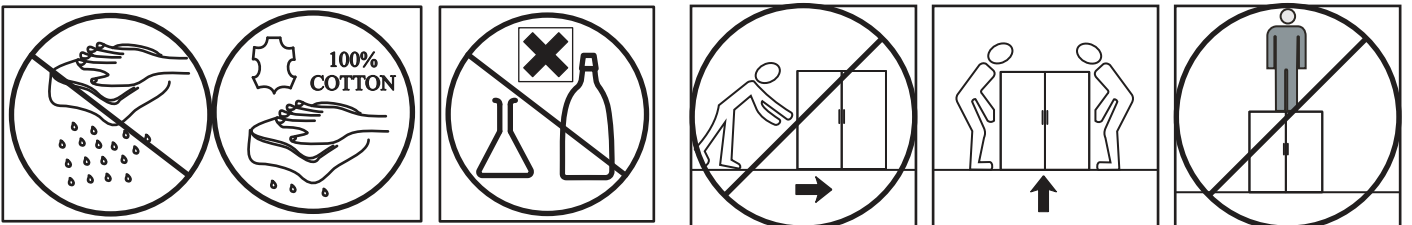
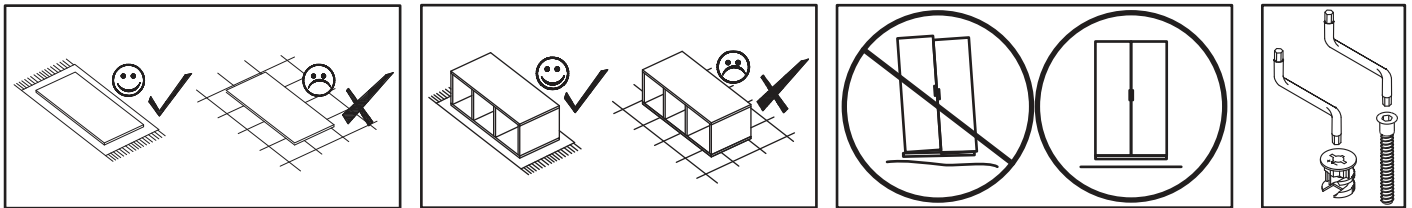
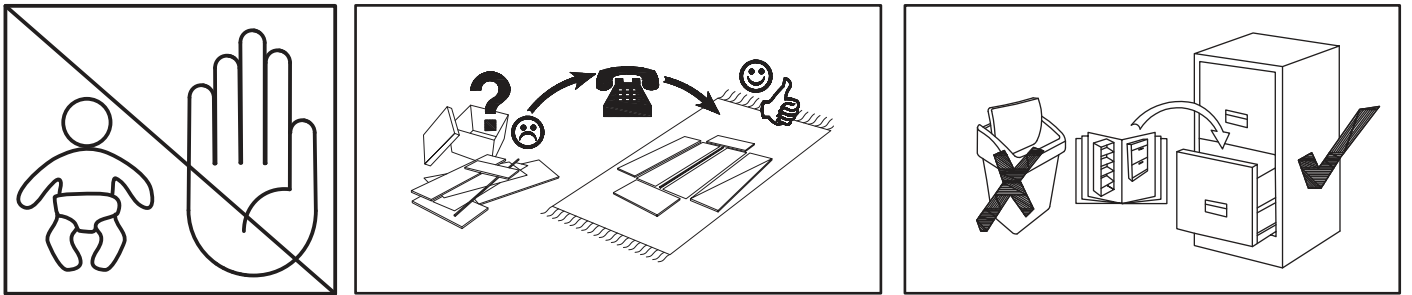
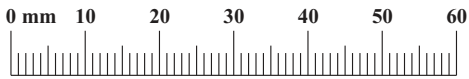


NO	Dim.[mm]			Col.-No	Qty
1A	504	927	18	2	1
1B	504	927	18	2	1
2	1867	203	16	1	1
3	1867	330	16	1	1
4	501	353	22	1	1
5	501	353	22	1	1
6	468	295	16	1	4
7	939	480	3	2	2
8	468	295	16	1	1

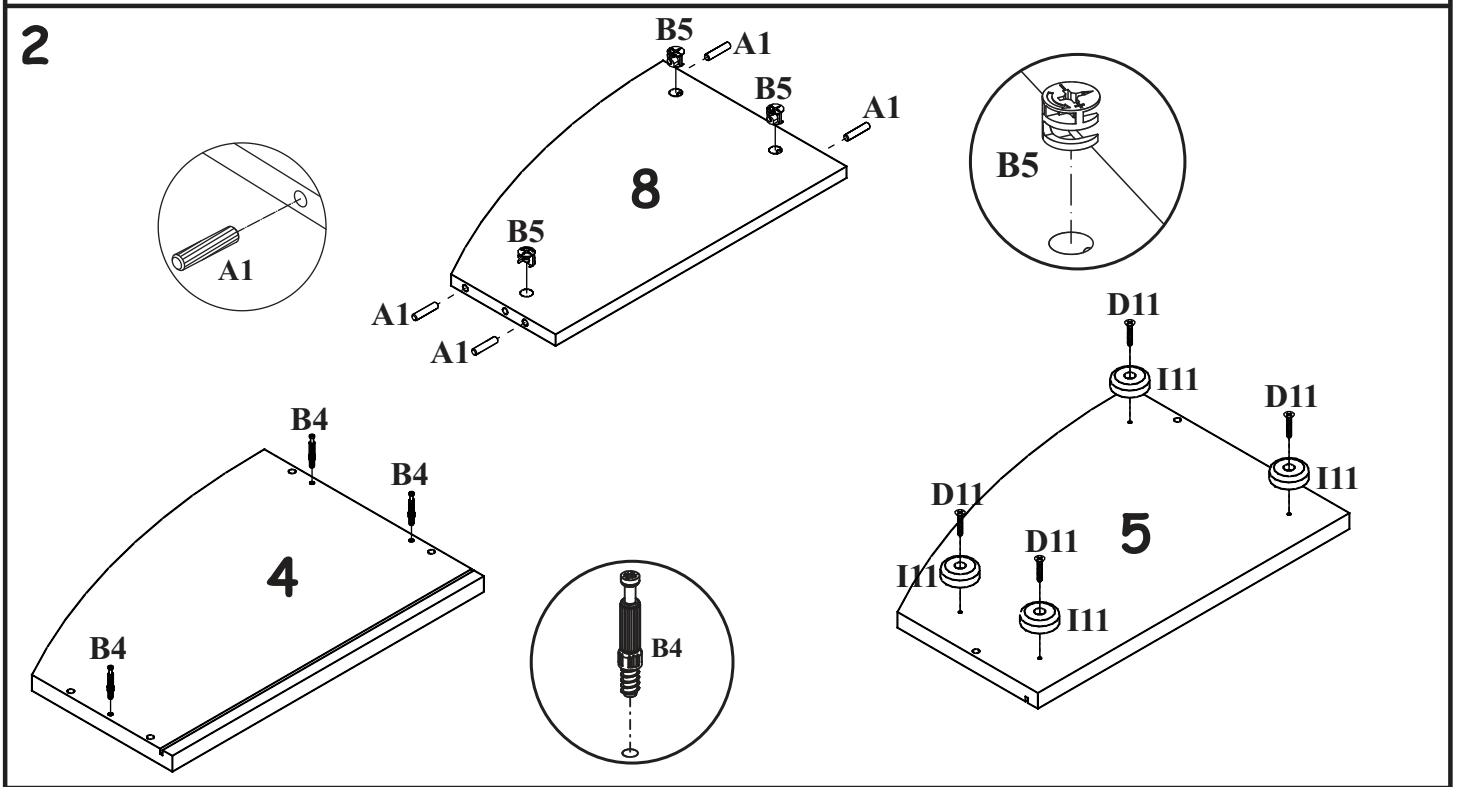
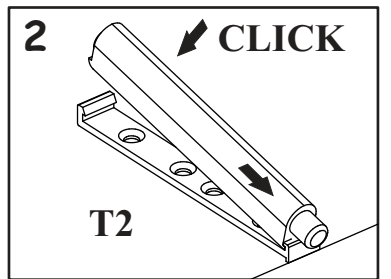
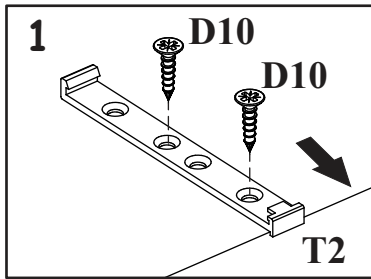
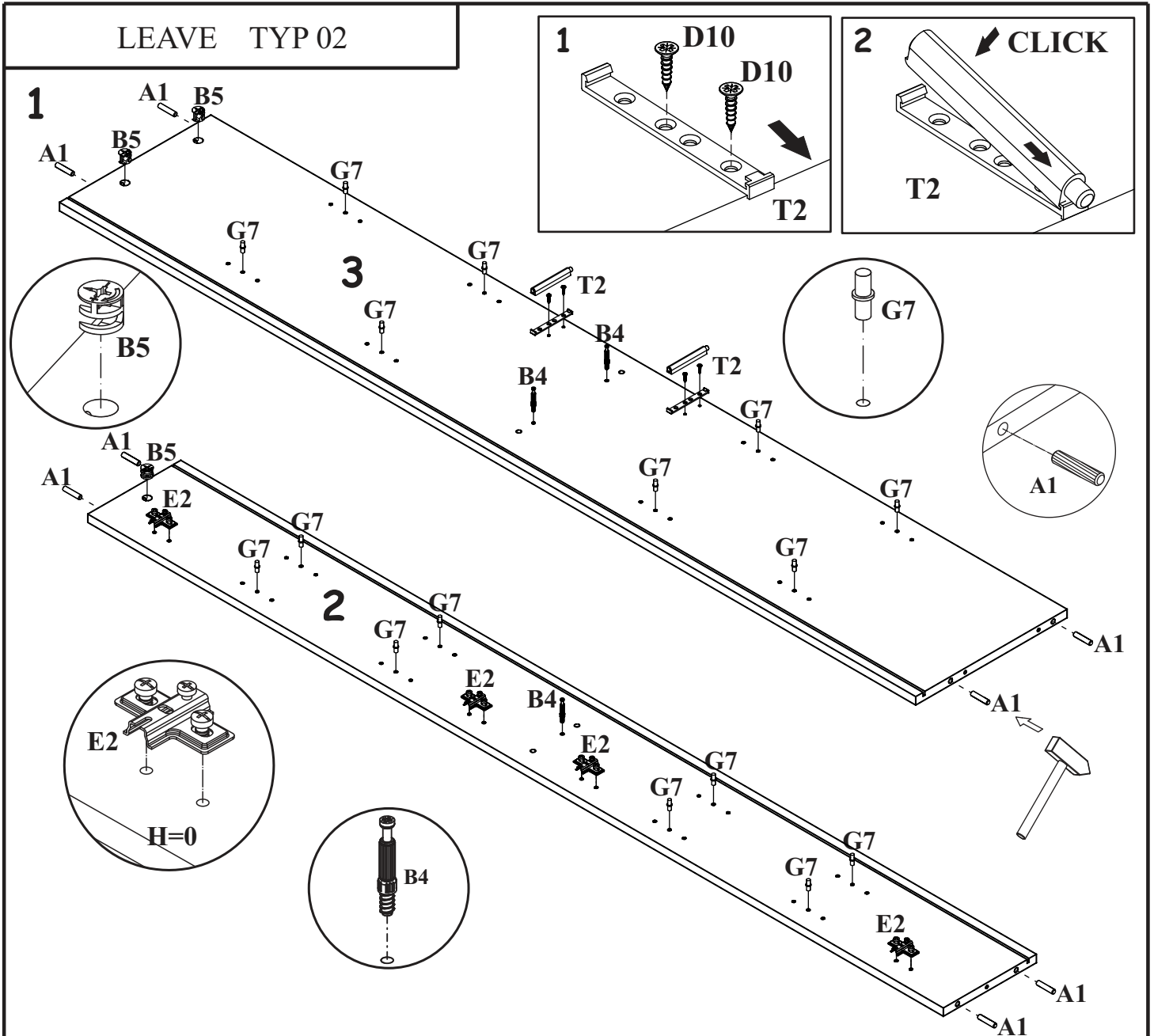


# LEAVE TYP 02

A1 X12 ø8x36	B4 X6	B5 X6 ø15x12	G5 X6	B11 X3 Ø7x50	G4 X3
E21 X4 Ø35 H=0	E2 X4 H=0	D10 X14 USØ3,5x13	T2 X2 D10	S1 X16	G7 X16
I11 X4	D11 X4 USØ3,5x25	G16 X3	UP13 X3 UPØ3x16	L1 X1	KR1 X1
G2 X1					



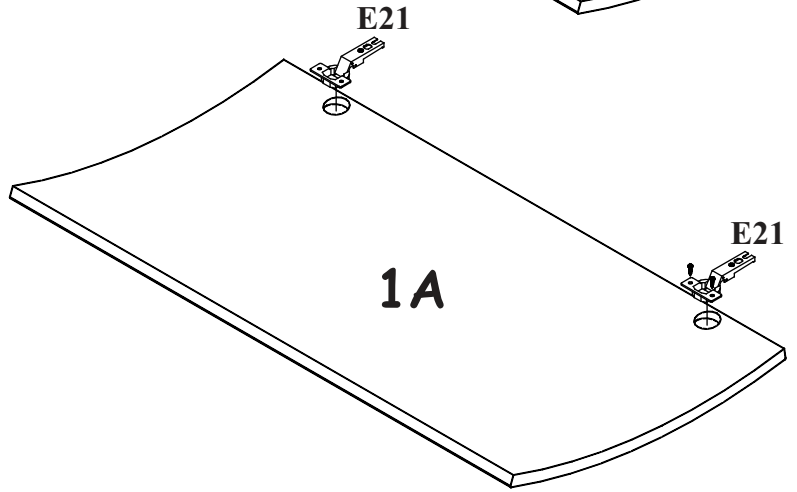
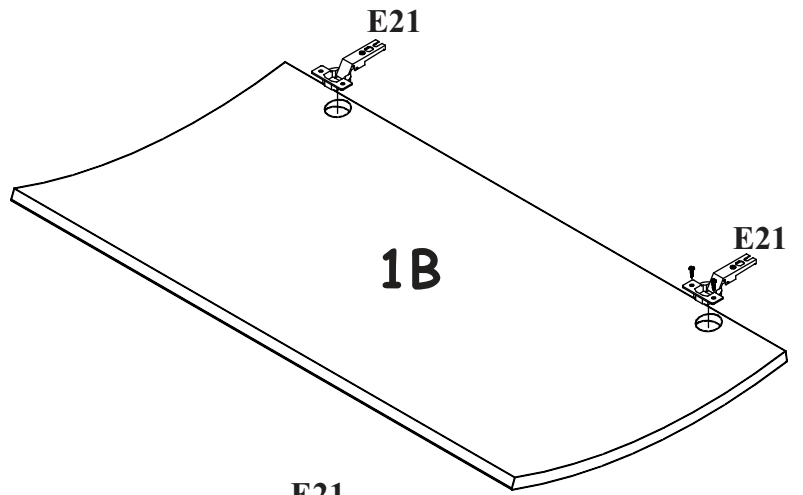
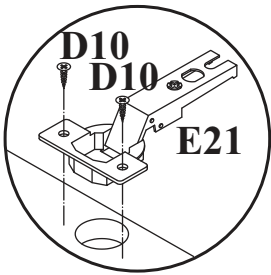
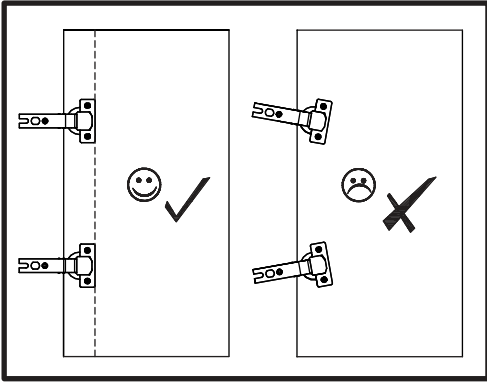
LEAVE TYP 02



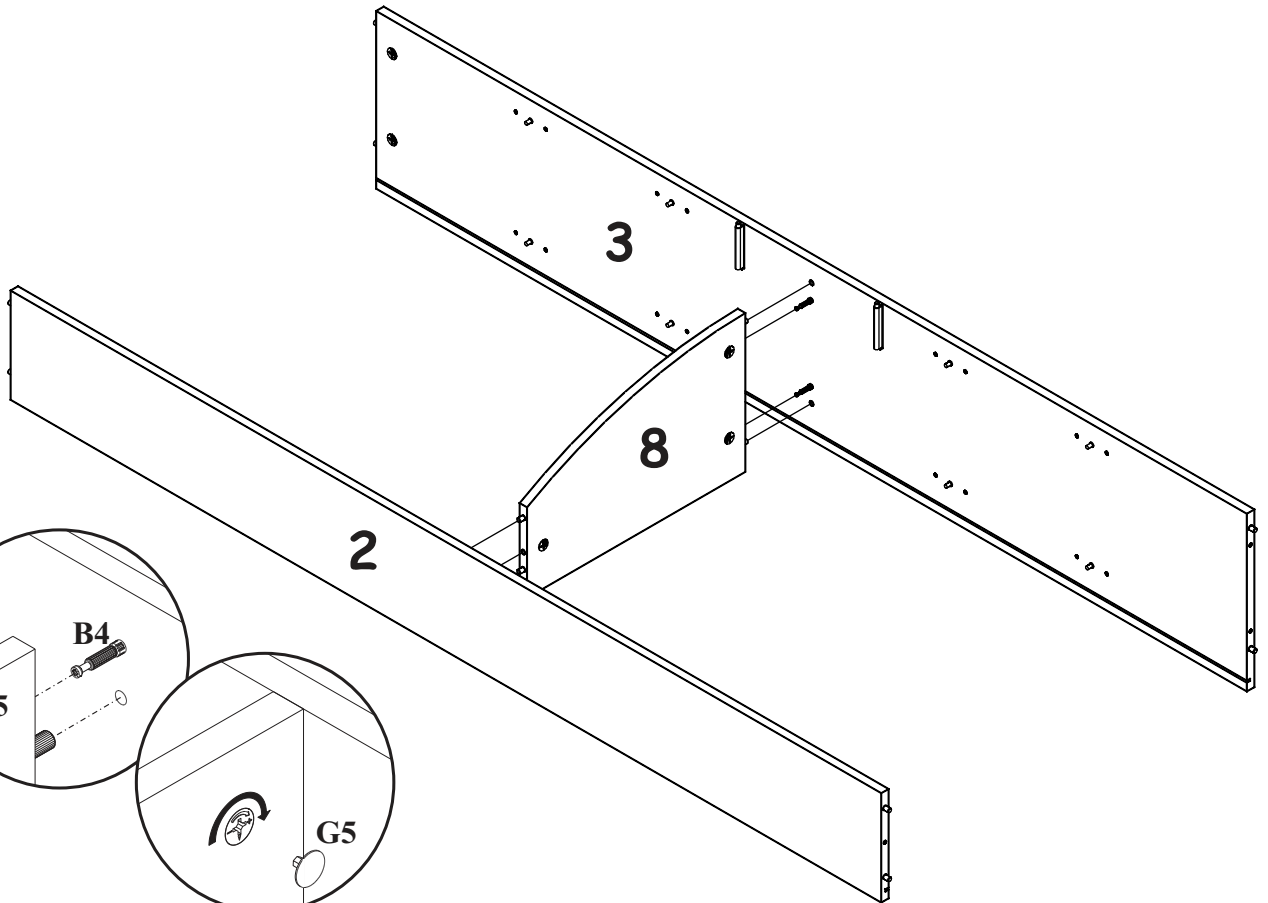


LEAVE TYP 02

3

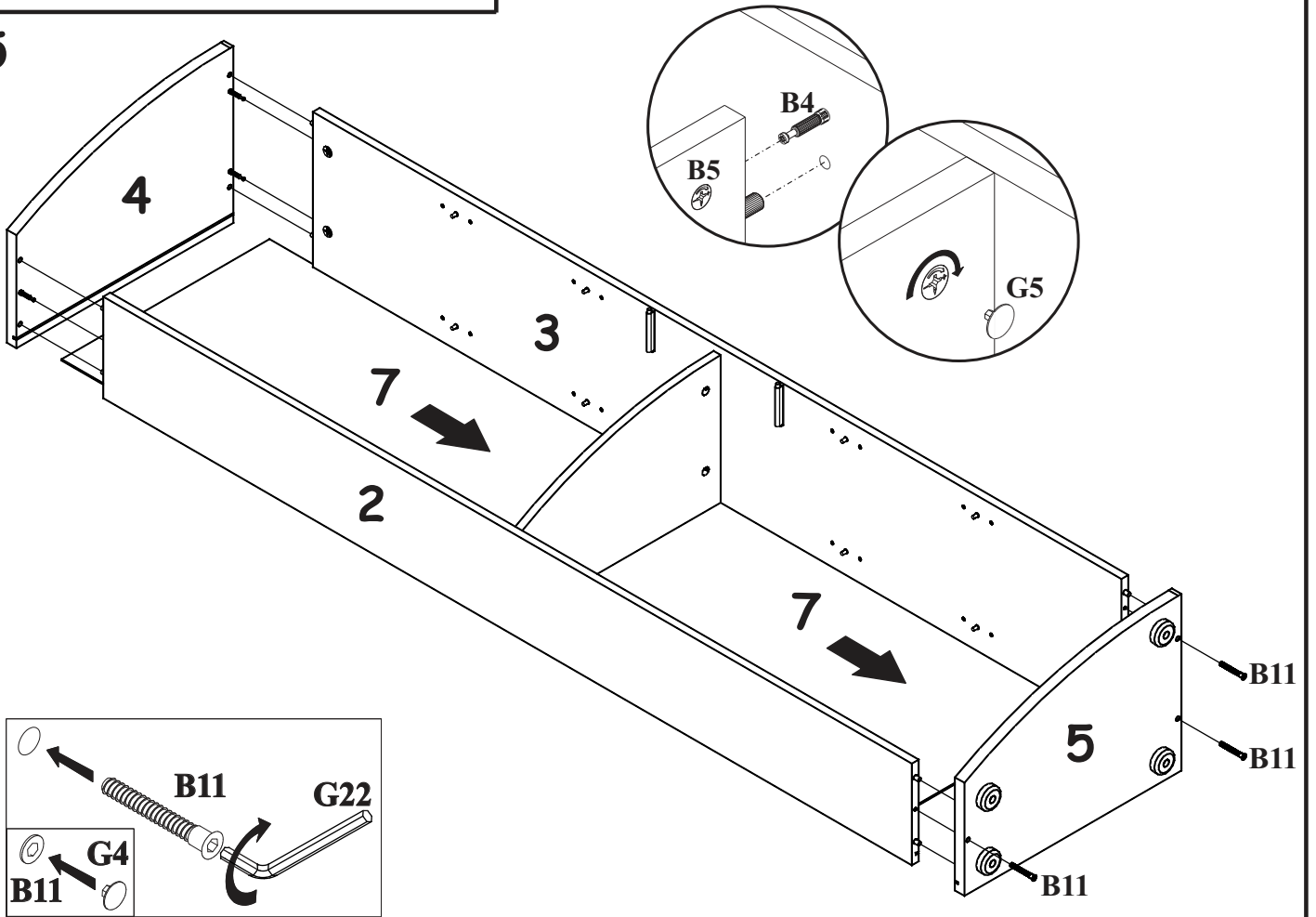


4

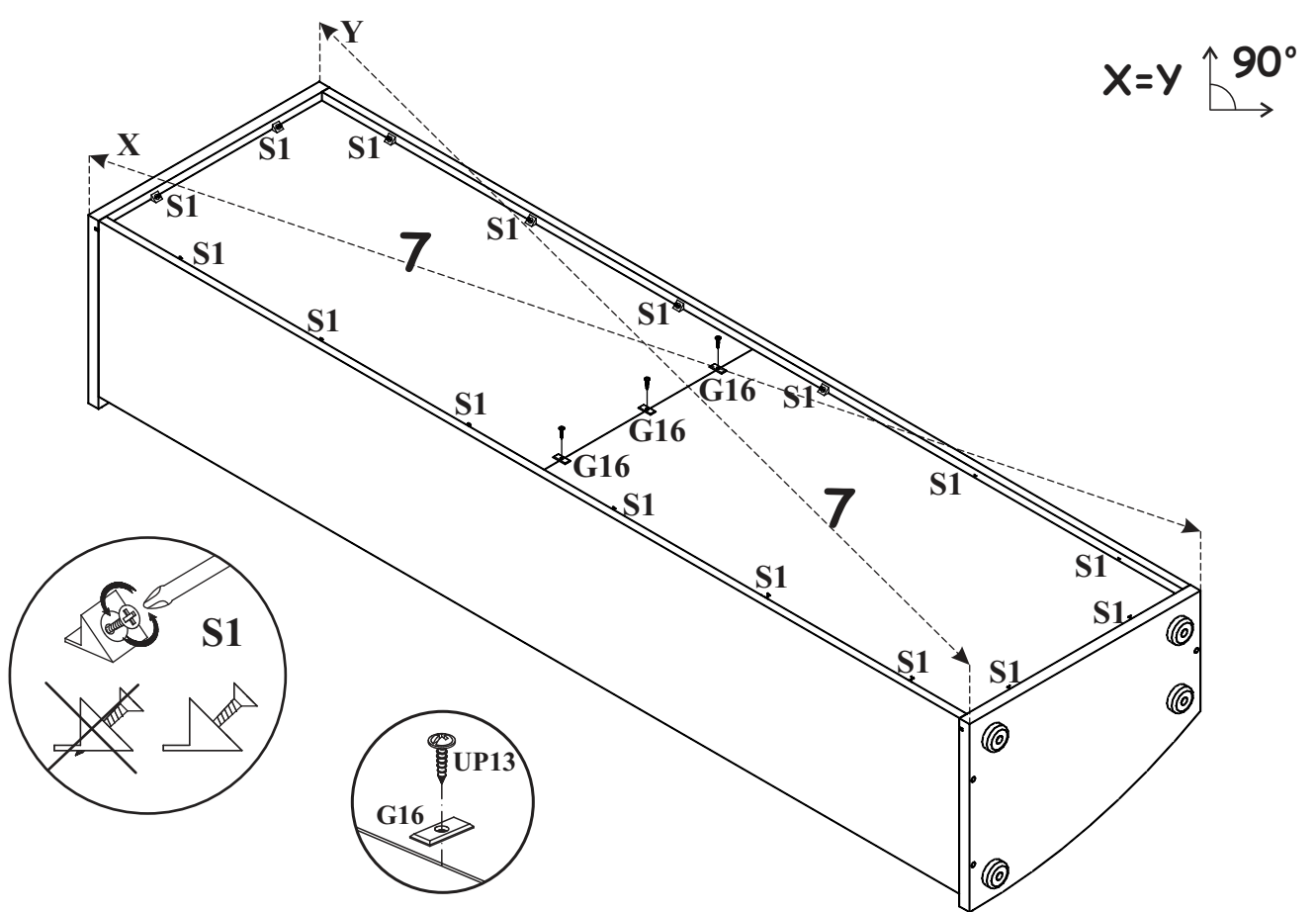


LEAVE TYP 02

5

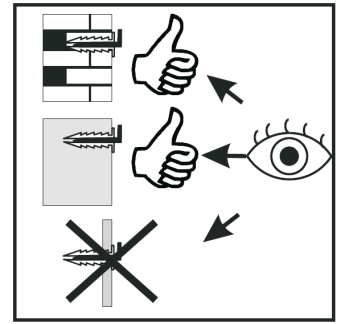
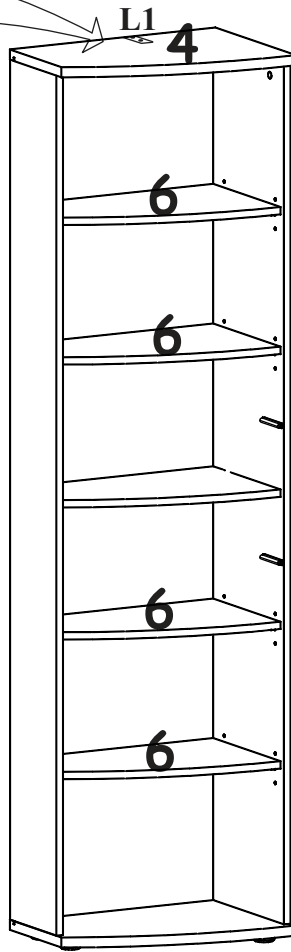
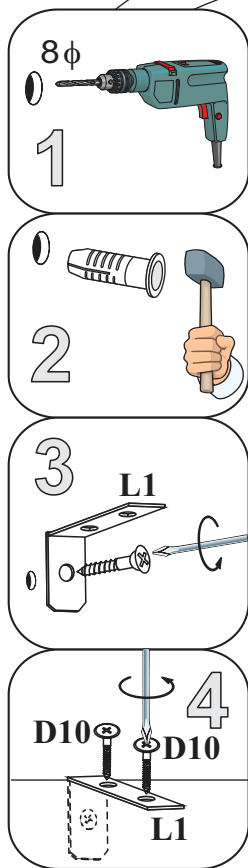


6

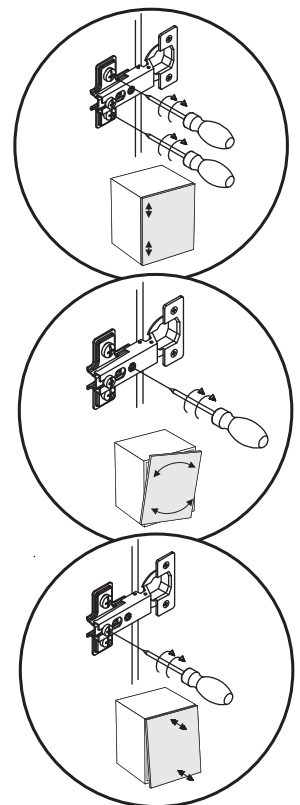
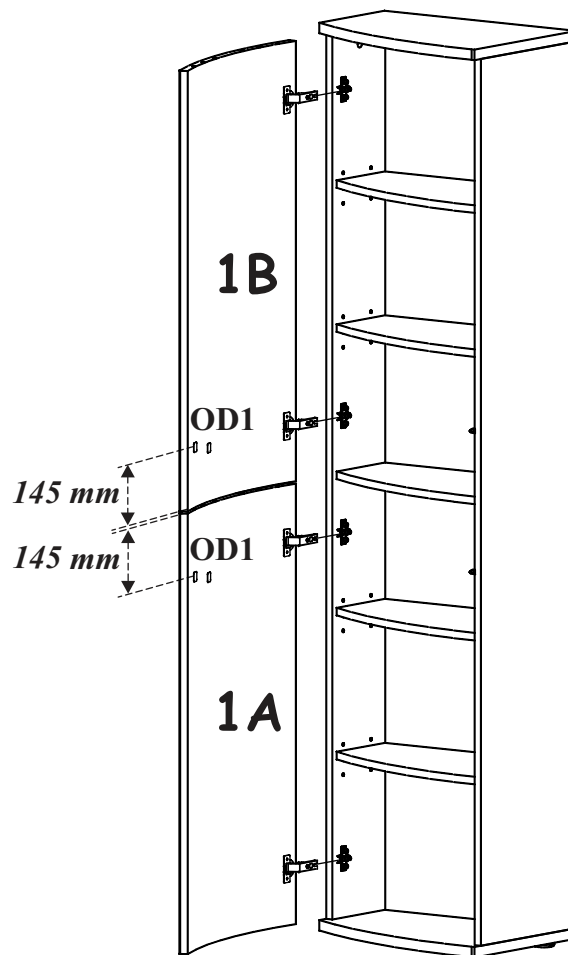
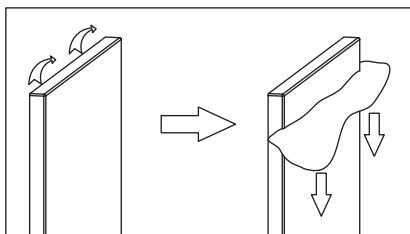
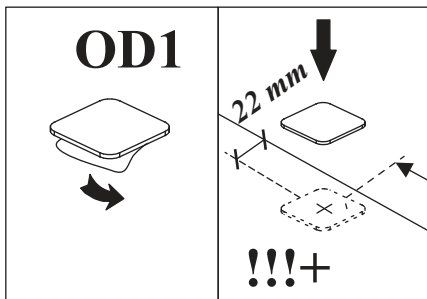


LEAVE TYP 02

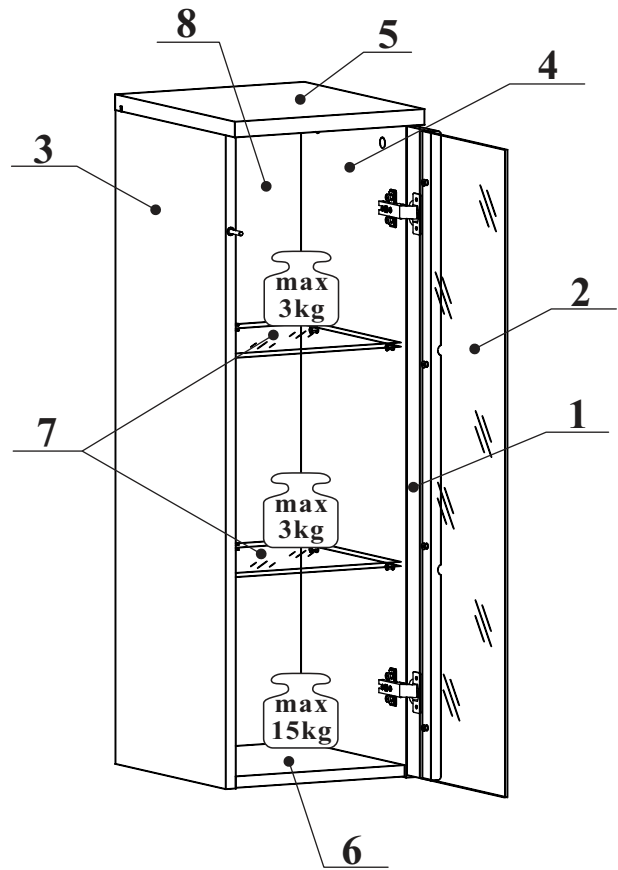
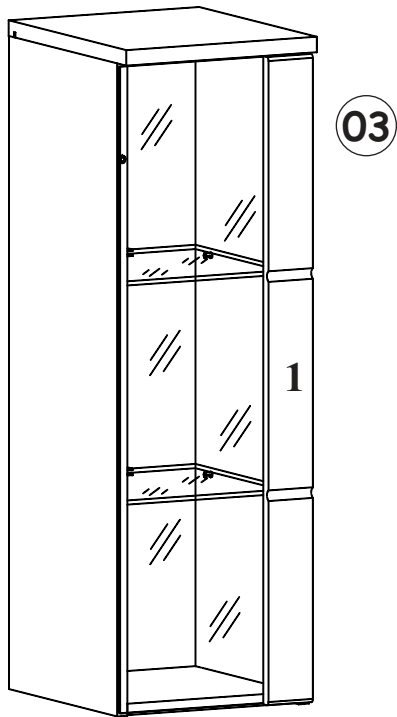
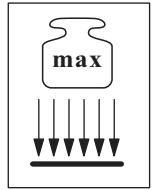
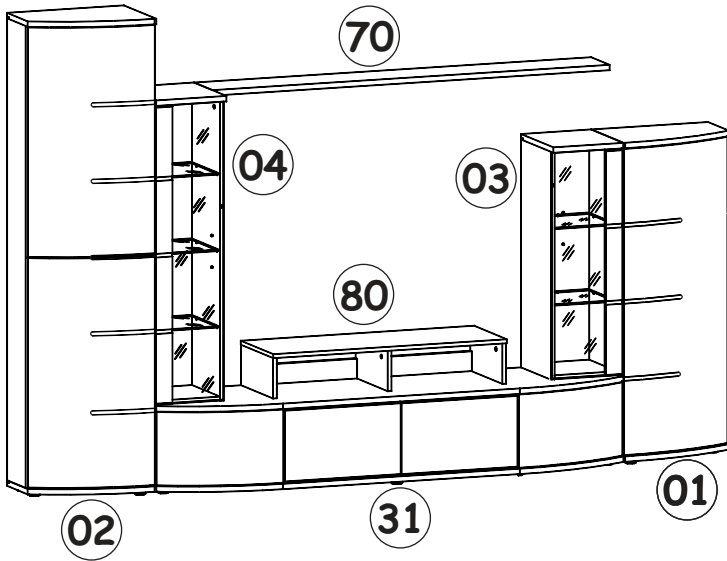
5



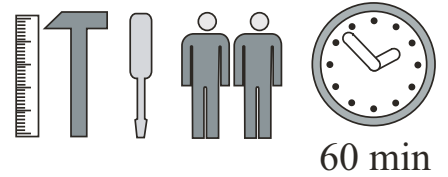
6



# LEAVE TYP 03

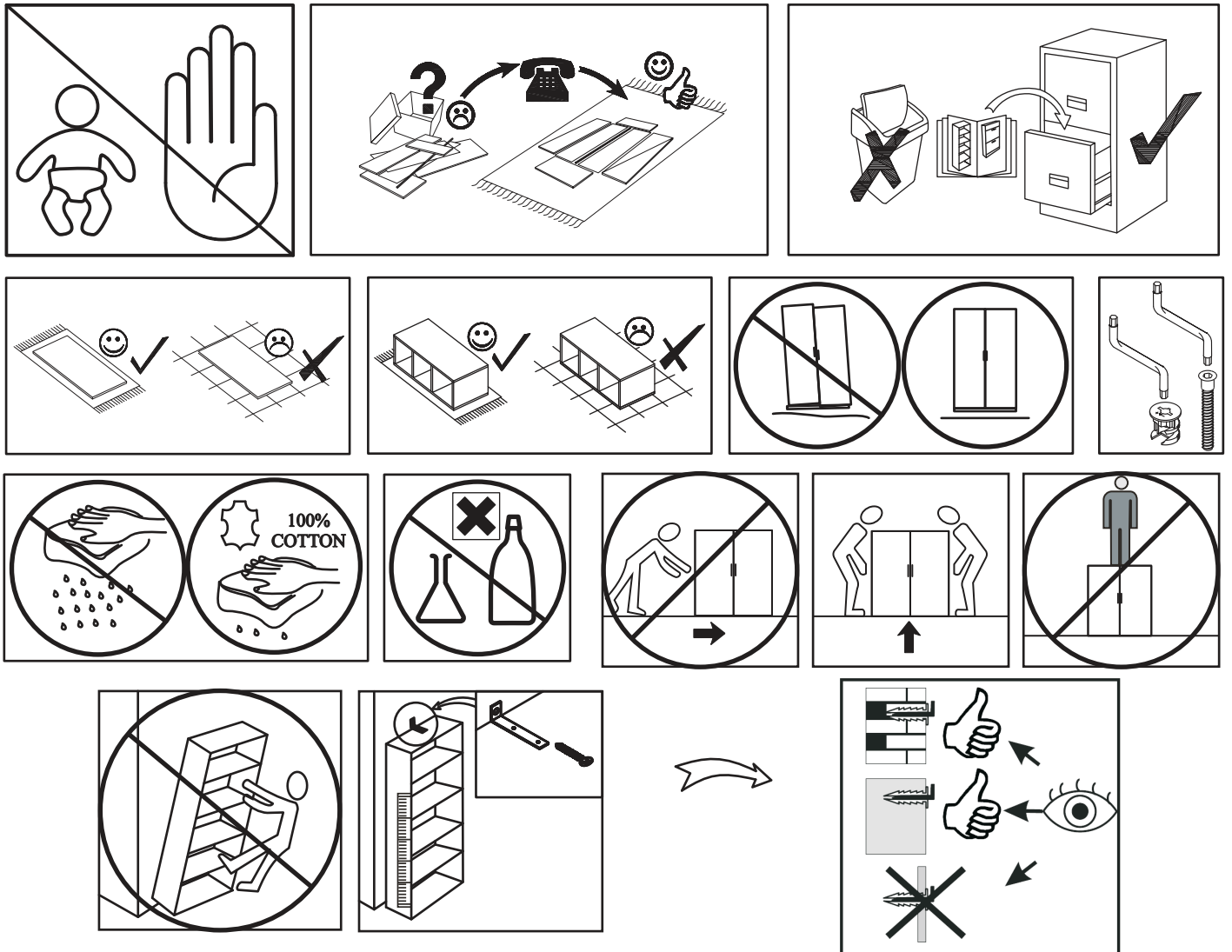
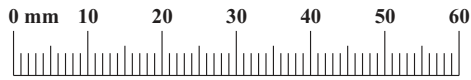


NO	Dim.[mm]			Col.-No	Qty
1	70	914	19	1	1
2	912	251	4	1	1
3	921	325	16	1	1
4	921	330	16	1	1
5	301	353	22	1	1
6	268	305	16	1	1
7	266	294	6	1	2
8	920	280	3	1	1



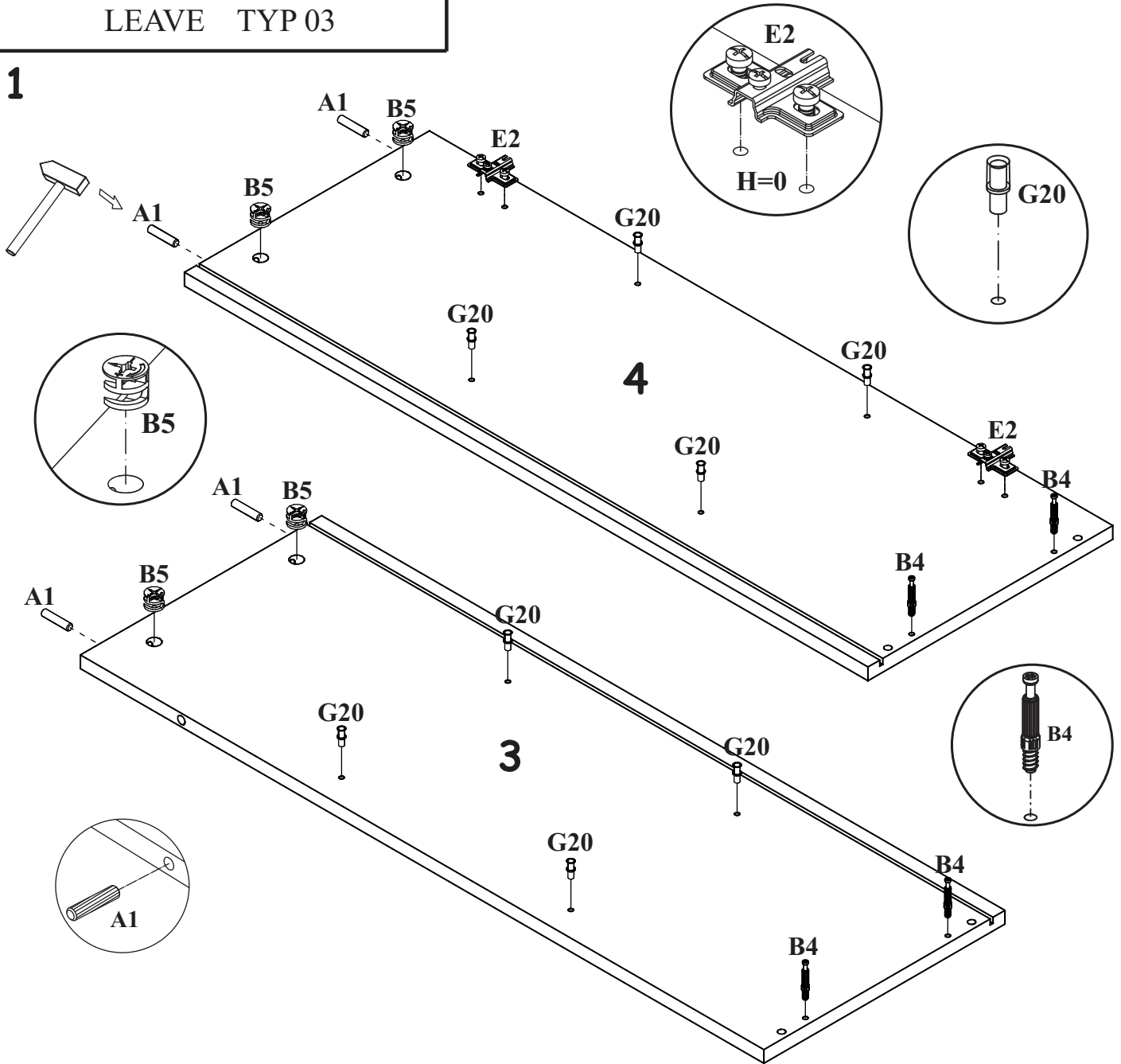
# LEAVE TYP 03

A1 X8 ø8x36	B4 X8	B5 X8 ø15x12	G5 X8	G20 X8	OD X1 L=71,5
E21 X2 Ø35 H=0	E2 X2 H=0	D10 X6 USØ3,5x13	P2 X4	UP13 X7 UPØ3x16	S1 X7
P3 X2	L1 X1	KR1 X1	G2 X1		
LED X1 X2 - TYP 03 X3 - TYP 04					

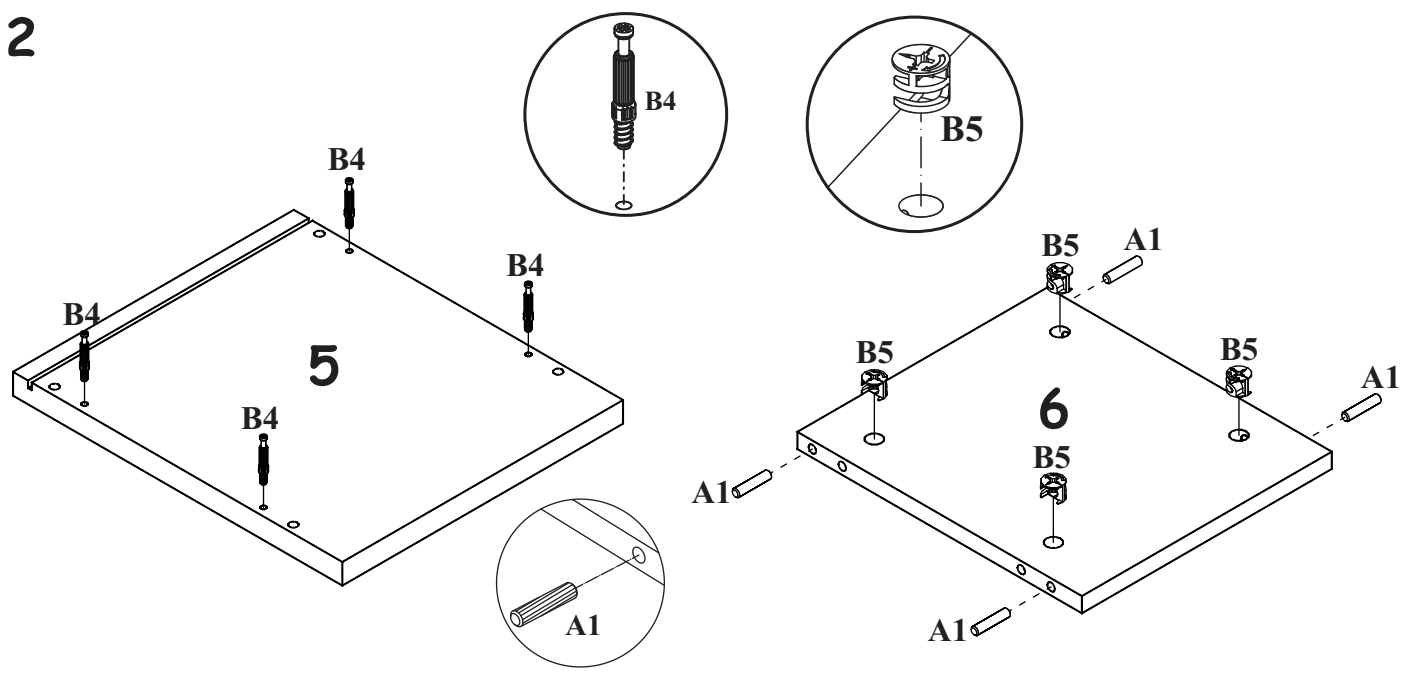


LEAVE TYP 03

1

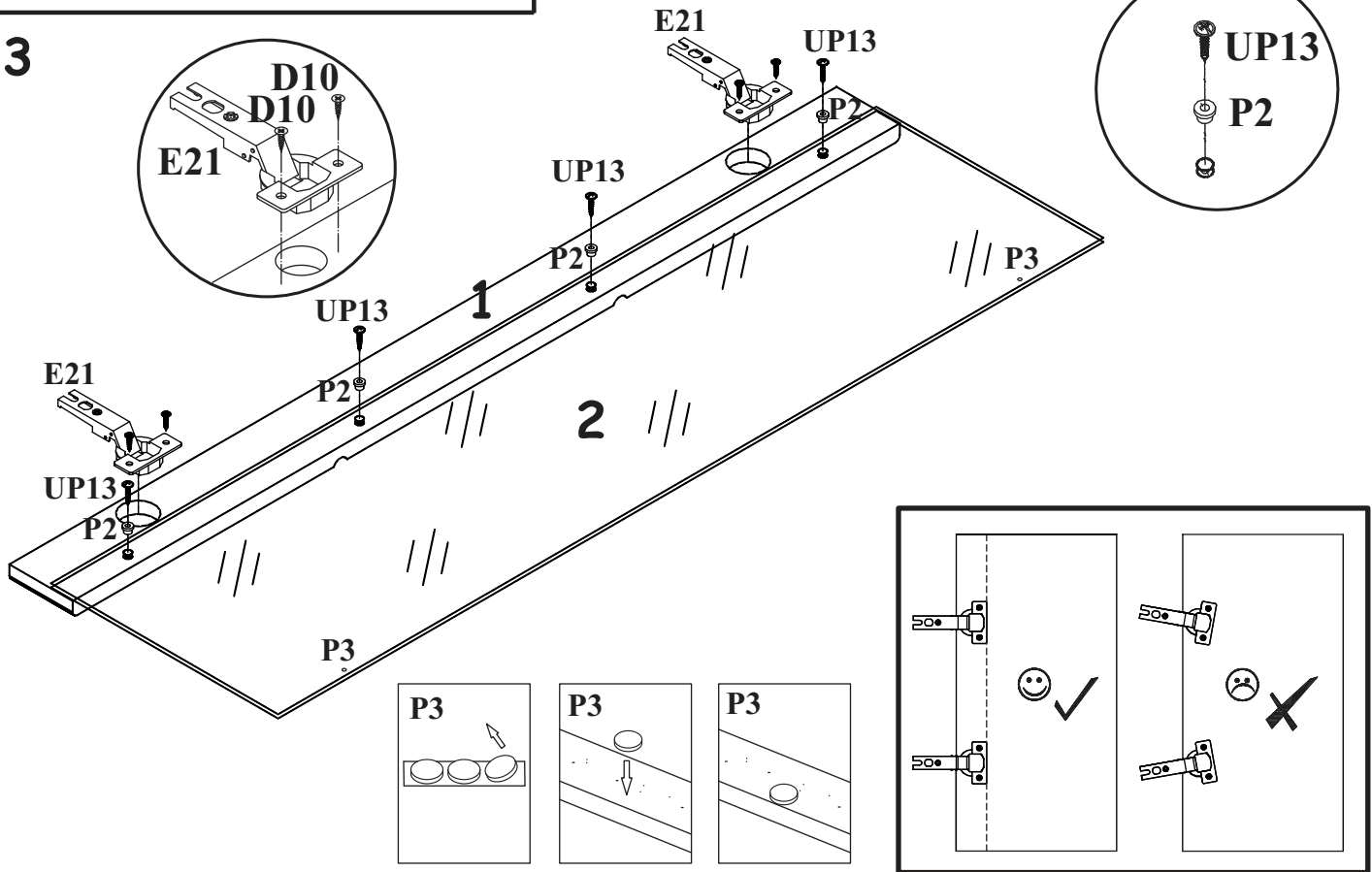


2

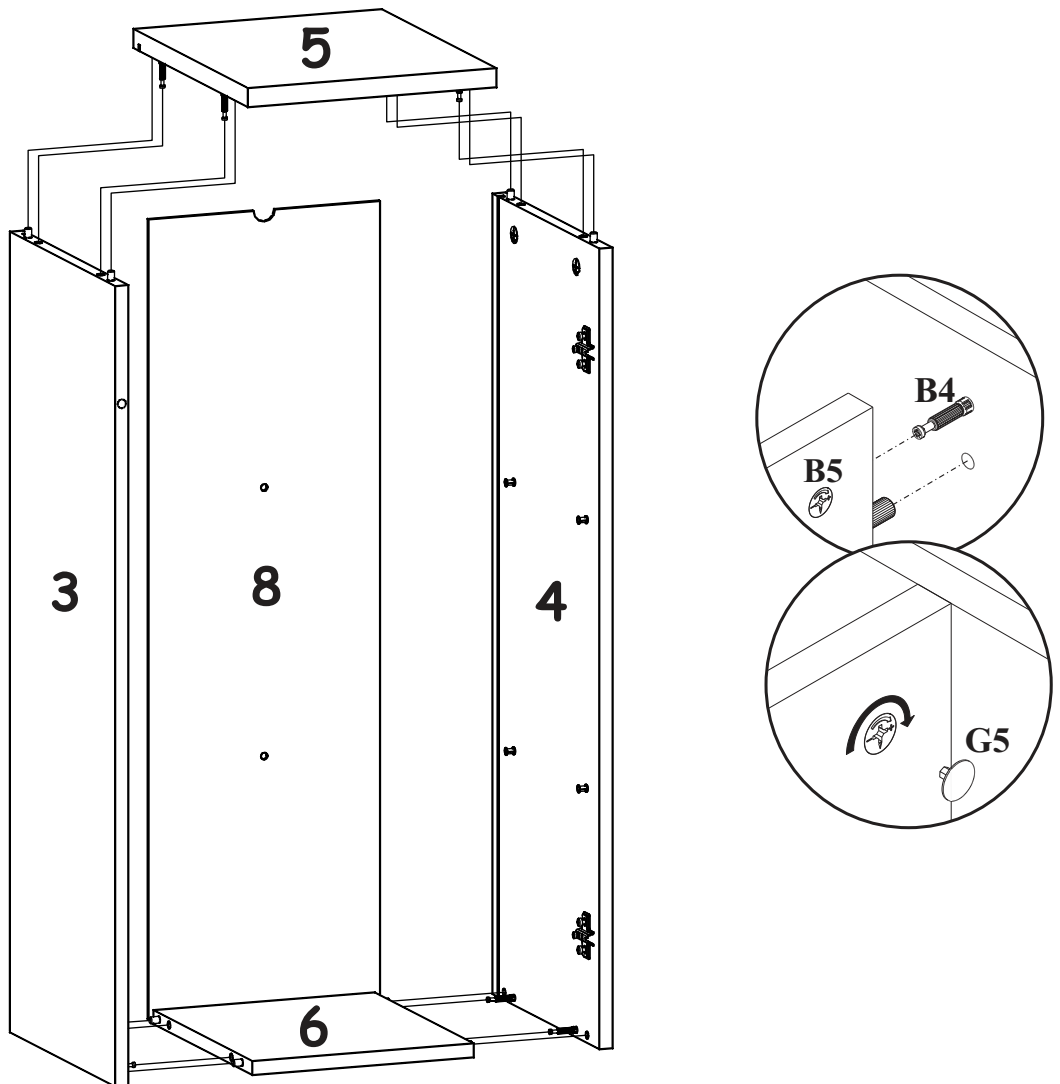


LEAVE TYP 03

3

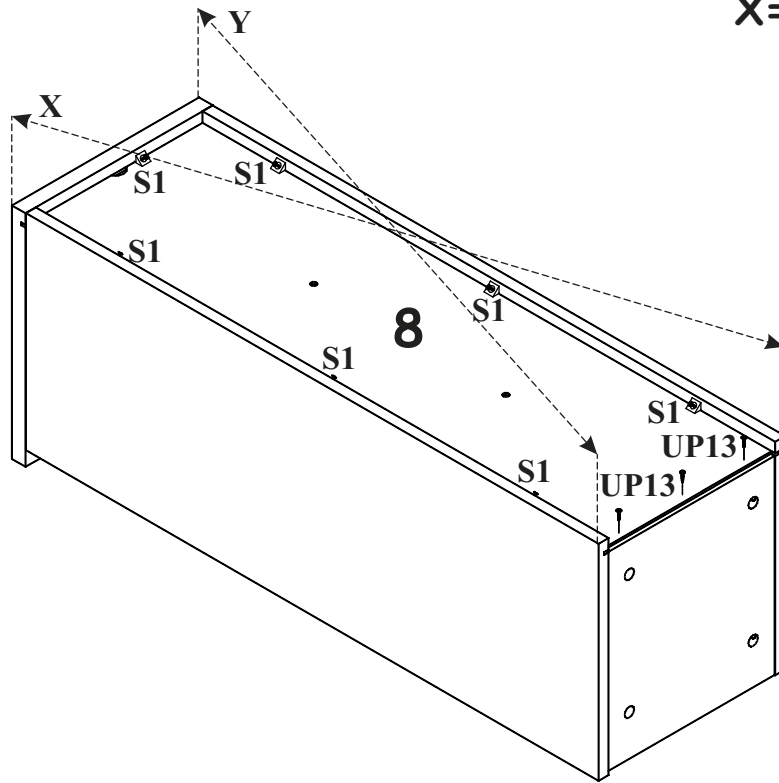
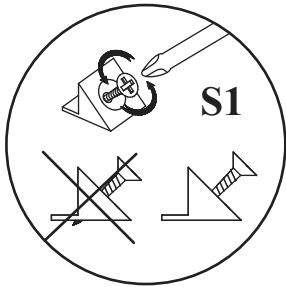


4

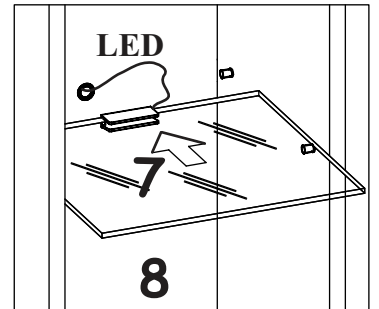
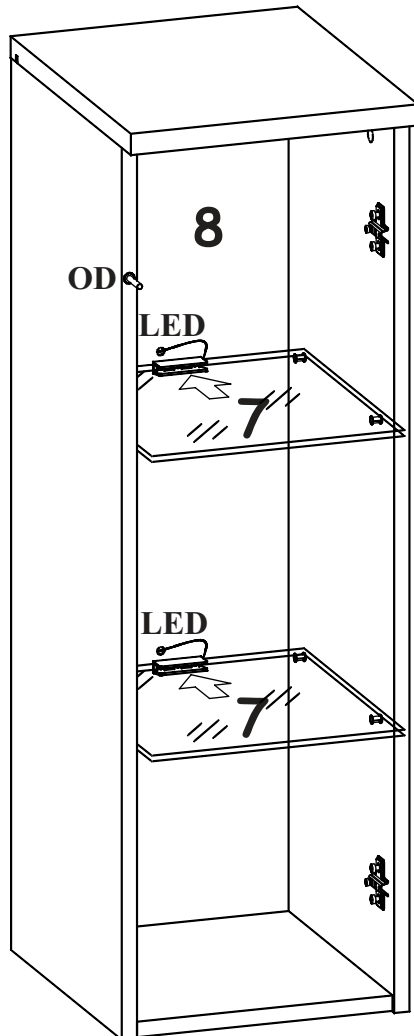
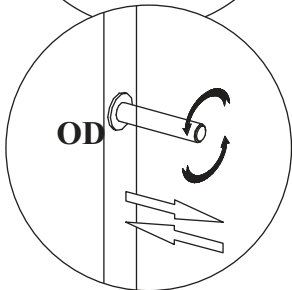
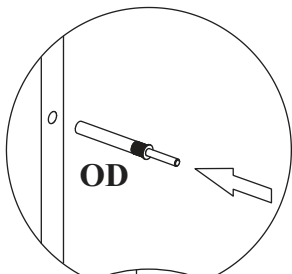


5

X=Y  $\uparrow$  90°

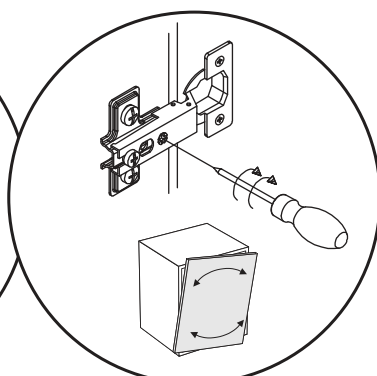
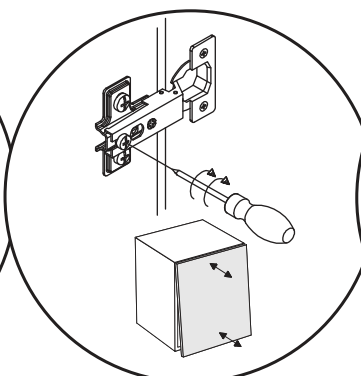
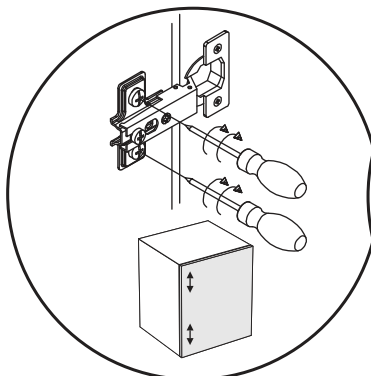
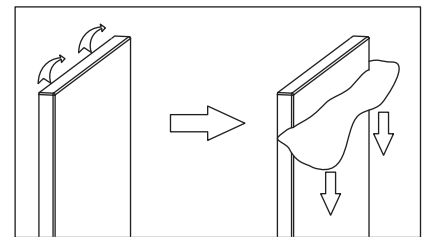
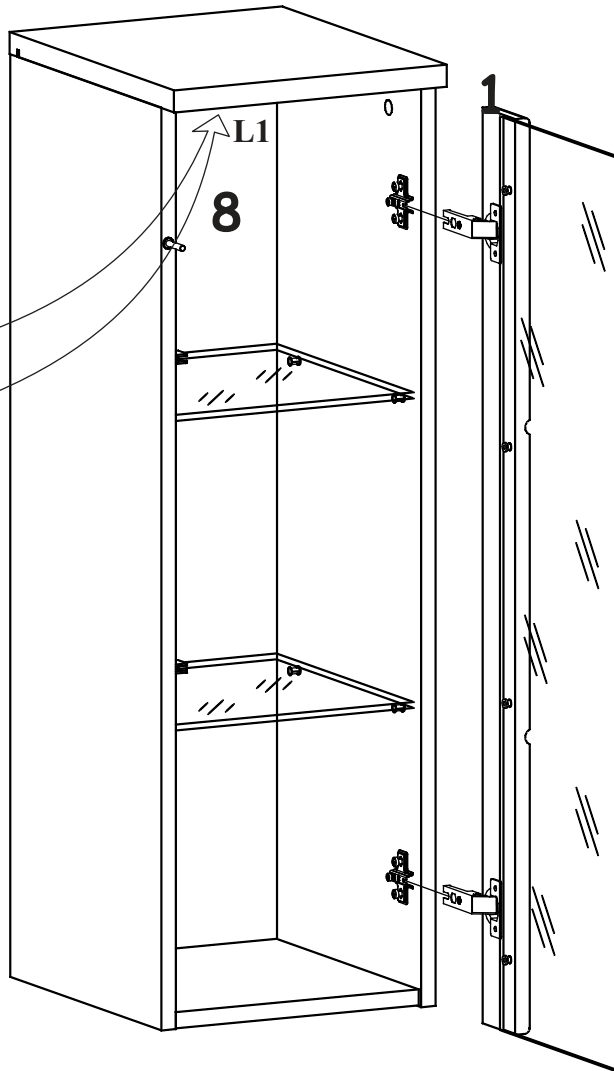
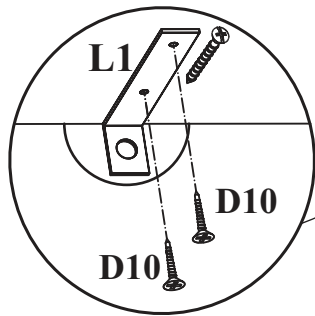
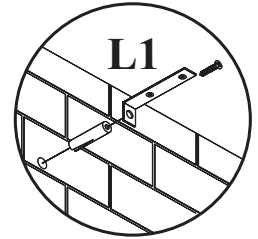
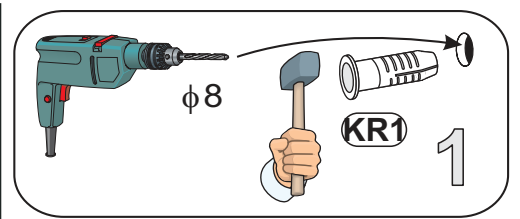
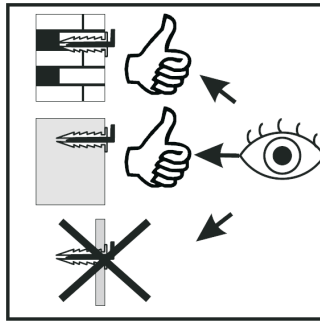


6

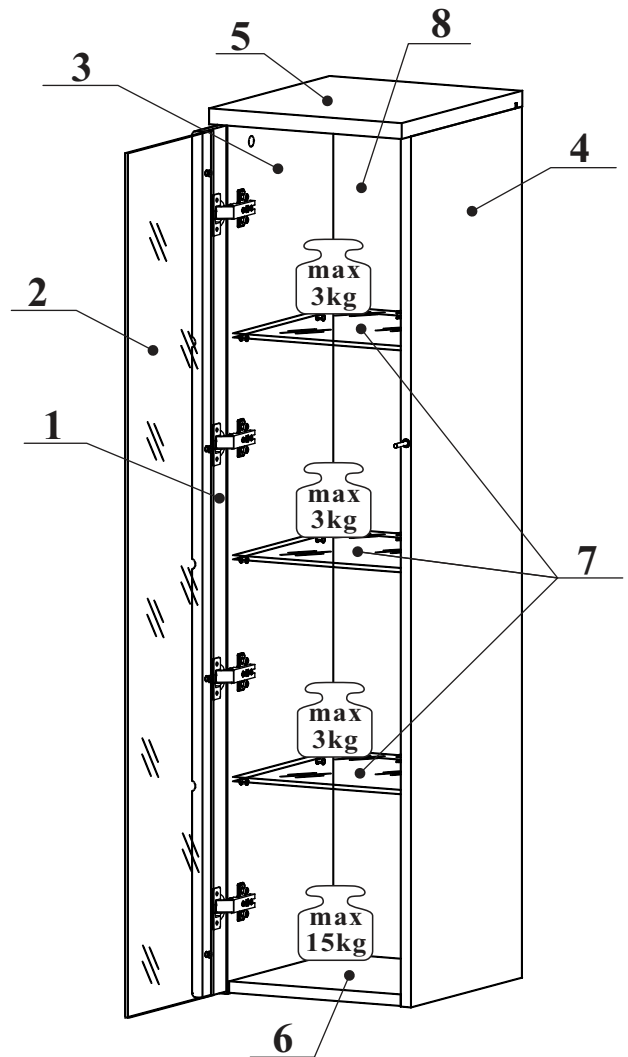
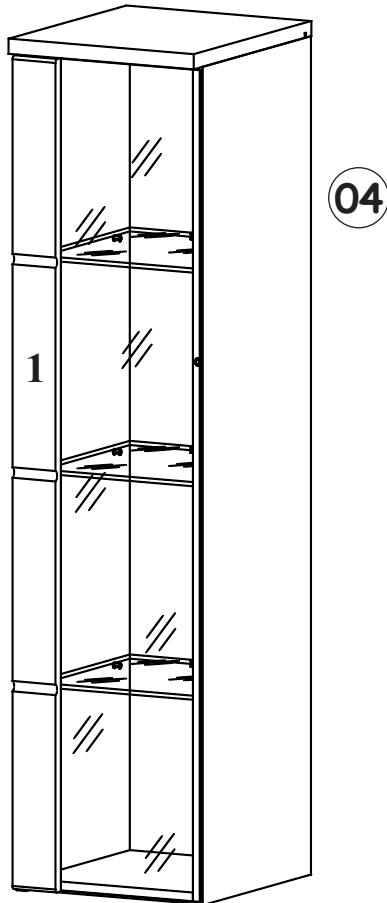
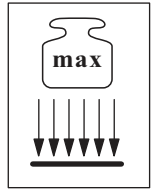
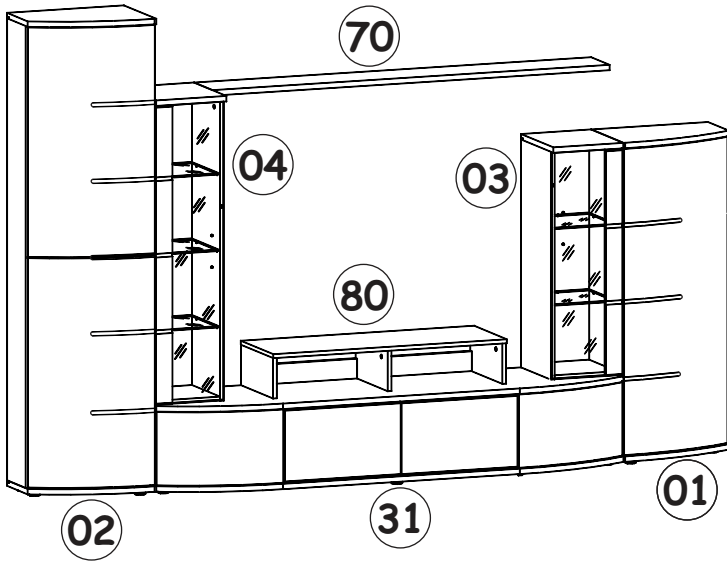




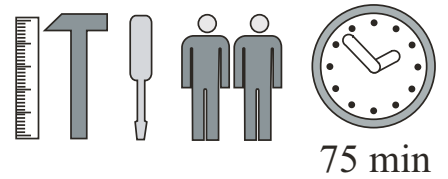
7



# LEAVE TYP 04

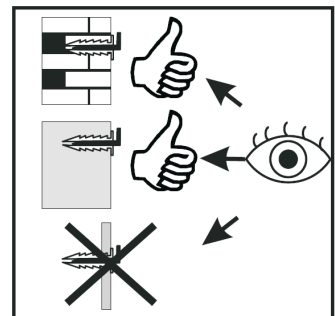
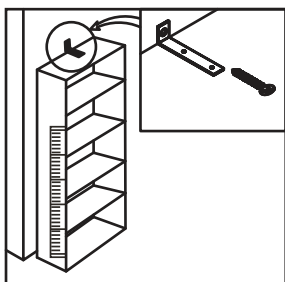
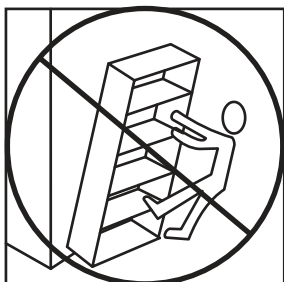
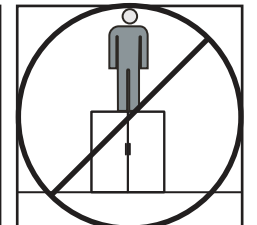
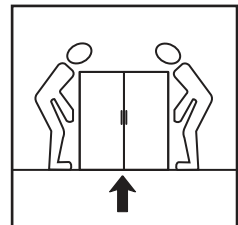
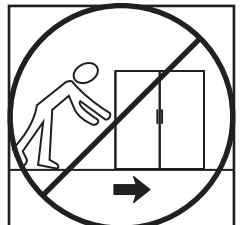
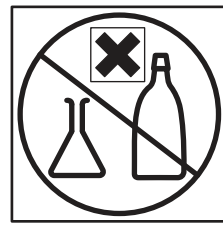
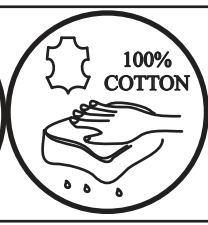
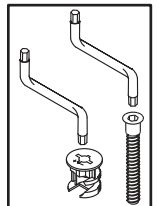
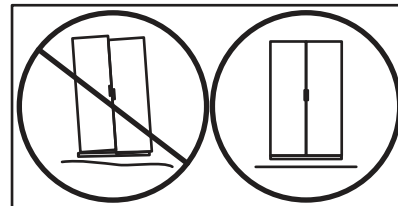
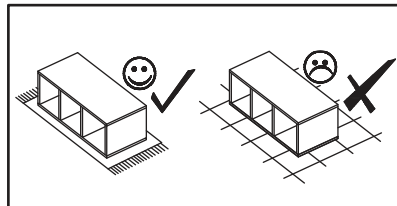
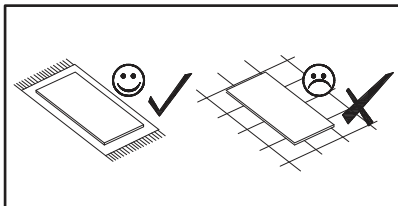
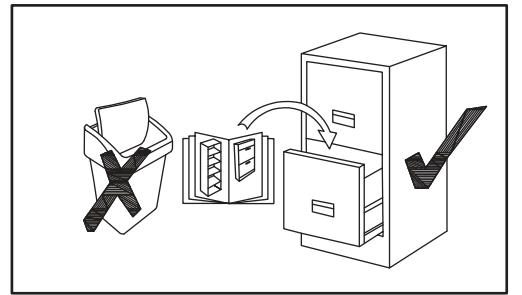
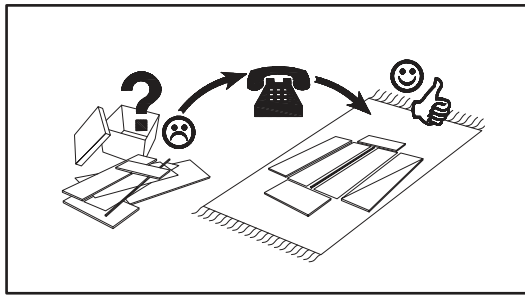
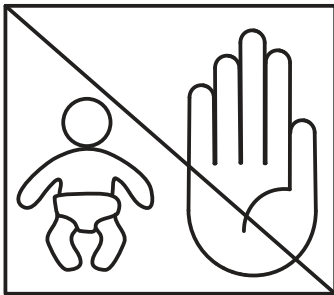
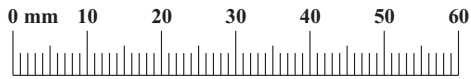


NO	Dim.[mm]			Col.-No	Qty
1	70	1206	19	1	1
2	1204	251	4	1	1
3	1213	330	16	1	1
4	1213	325	16	1	1
5	301	353	22	1	1
6	268	305	16	1	1
7	266	294	6	1	3
8	1215	280	3	1	1



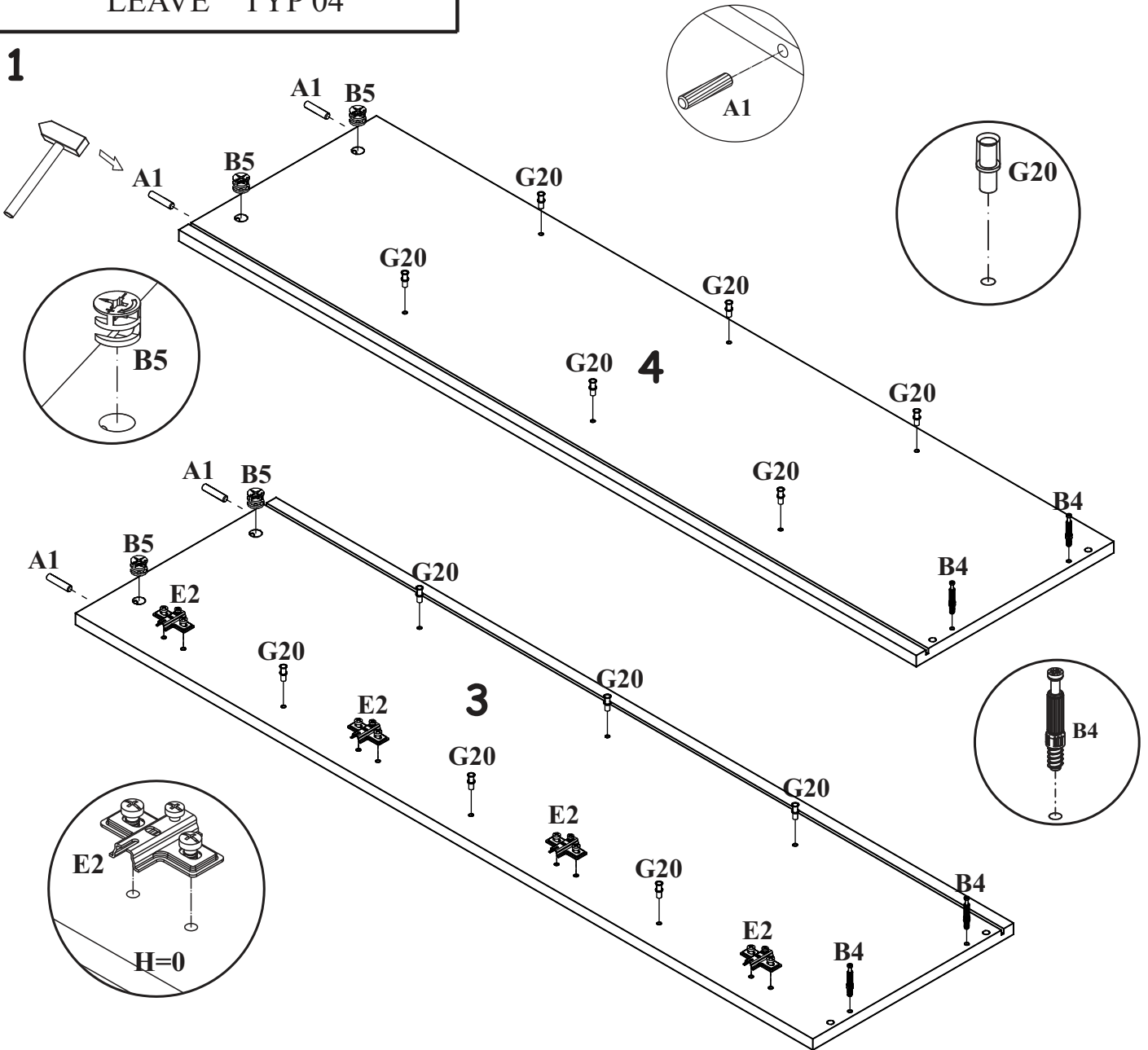
# LEAVE TYP 04

A1 X8 ø8x36	B4 X8	B5 X8 ø15x12	G5 X8	G20 X12	OD X1 L=71,5
E21 X4 Ø35 H=0	E2 X4 H=0	D10 X10 USØ3,5x13	P2 X4	UP13 X7 UPØ3x16	S1 X9
P3 X2	L1 X1	KR1 X1	G2 X1		
LED X1 X2 - TYP 03 X3 - TYP 04	→ TYP 03				

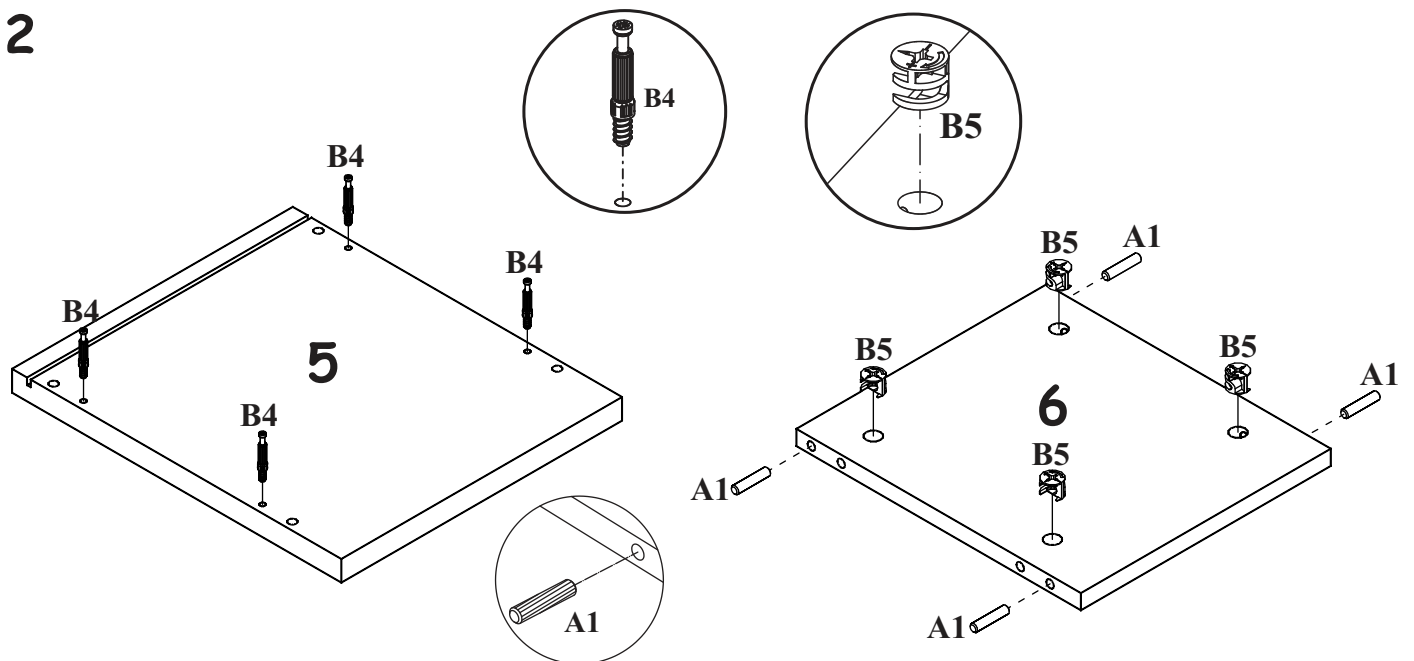


LEAVE TYP 04

1

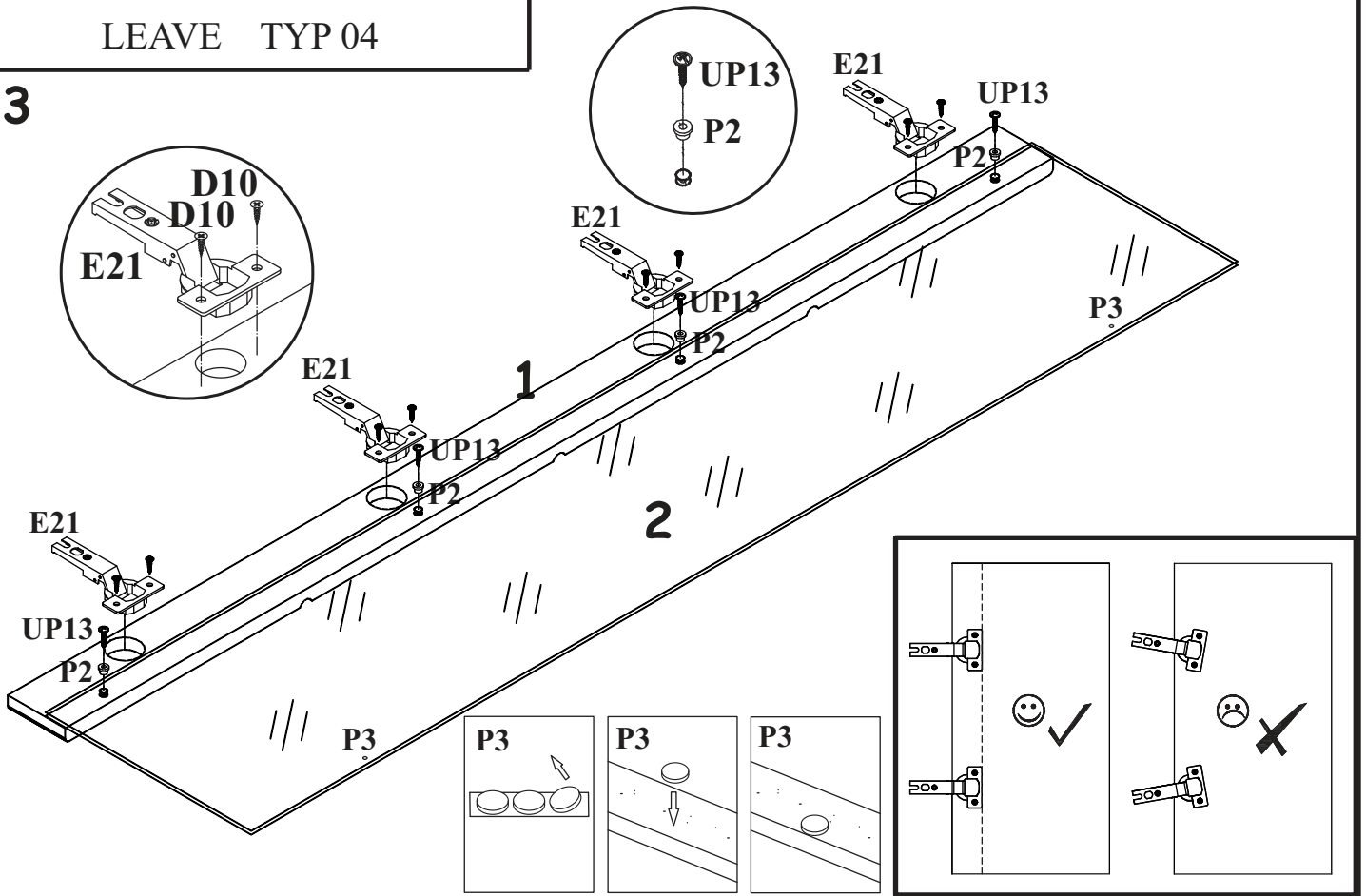


2

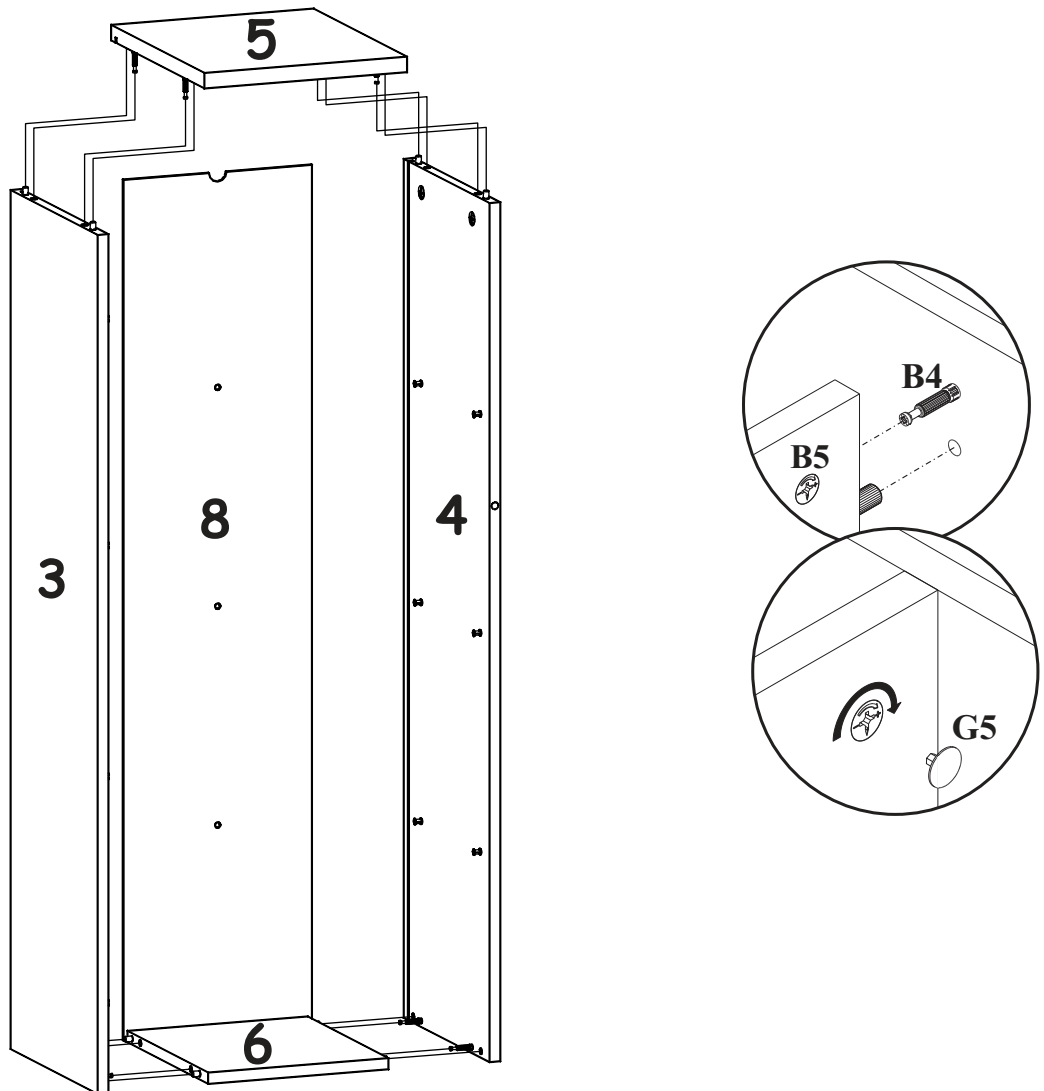


LEAVE TYP 04

3



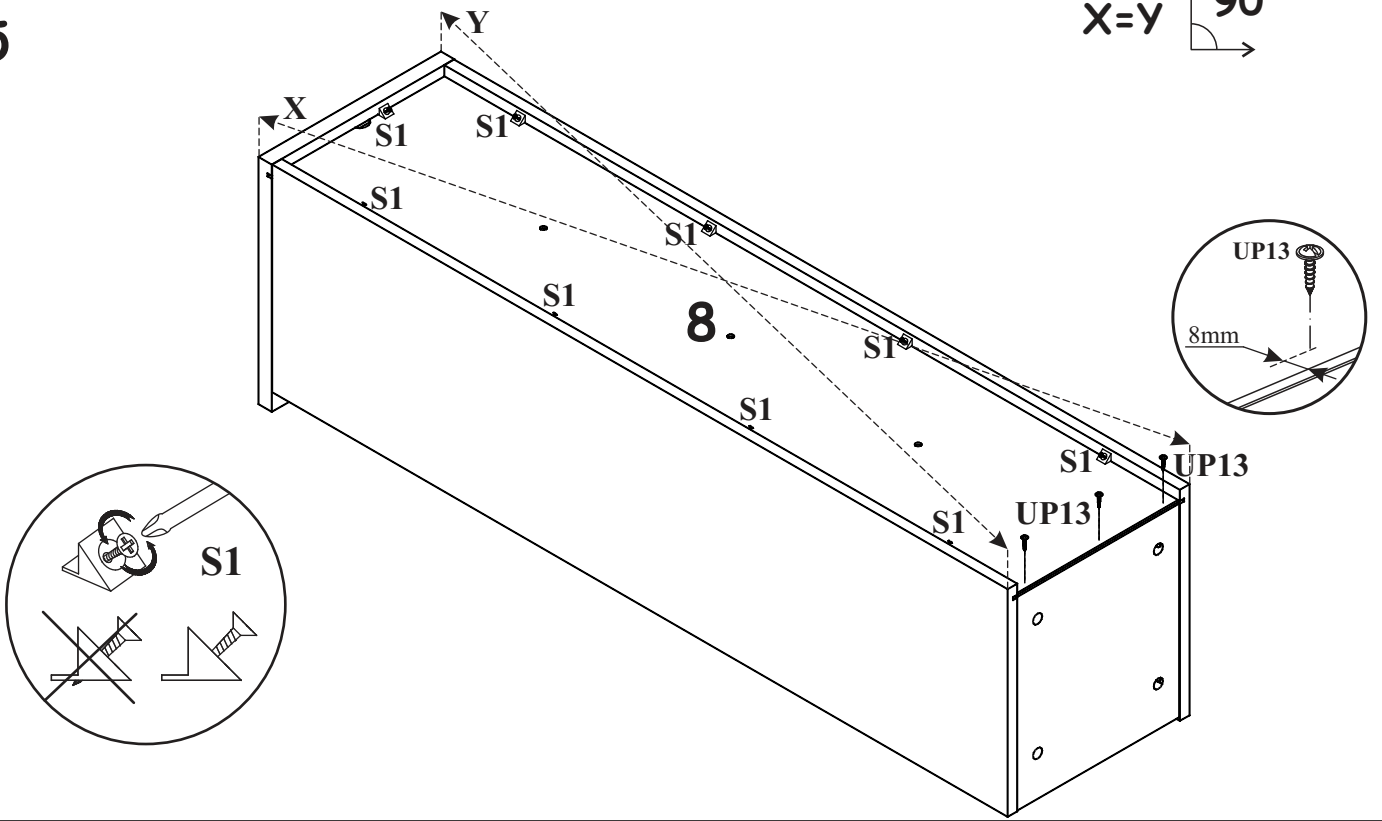
4



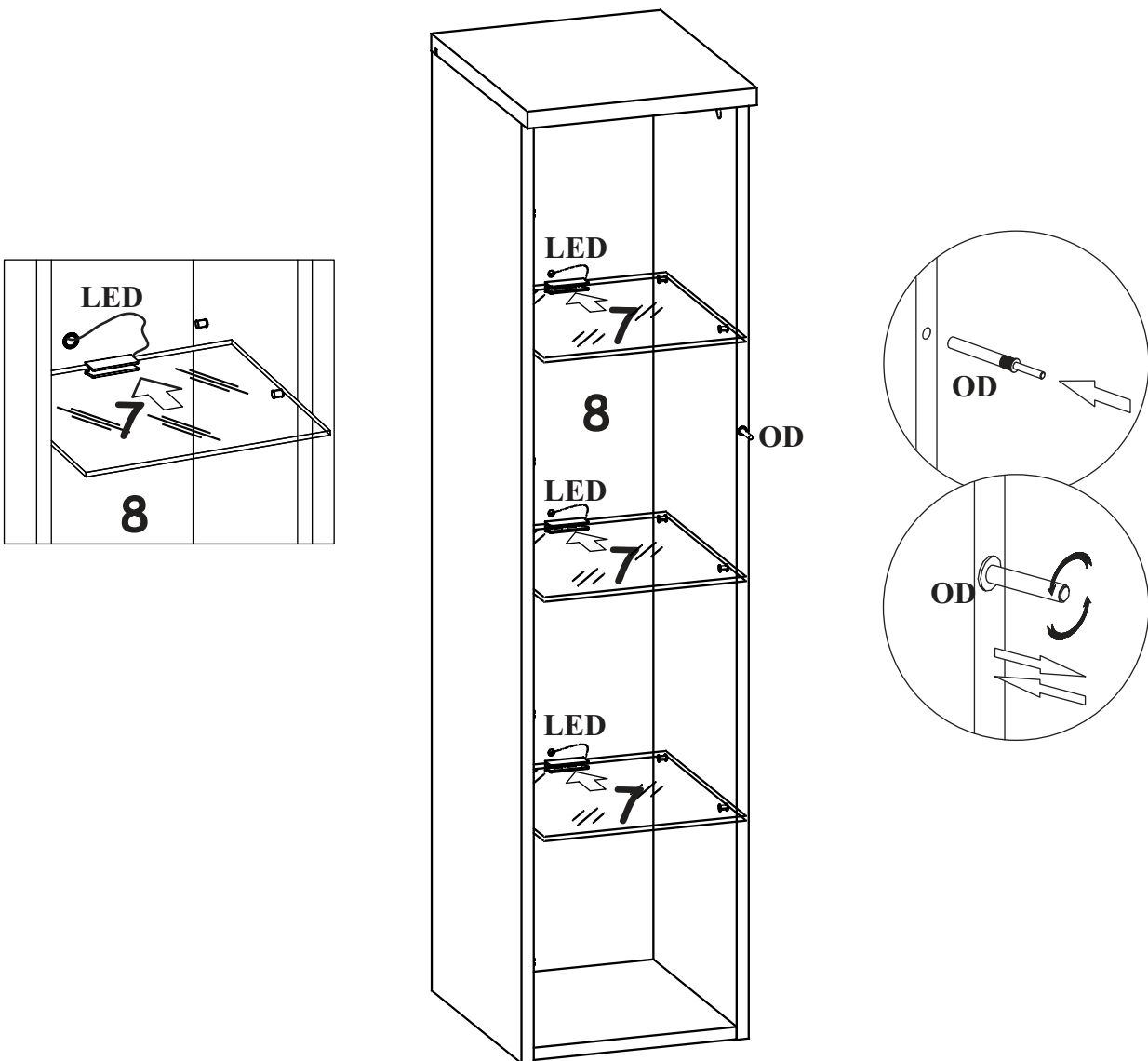
LEAVE TYP 04

5

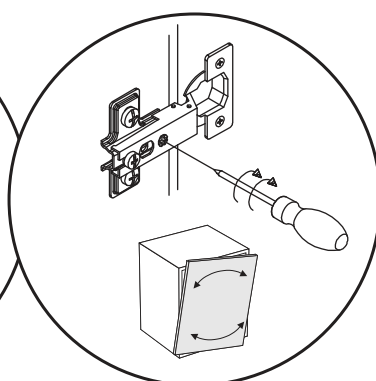
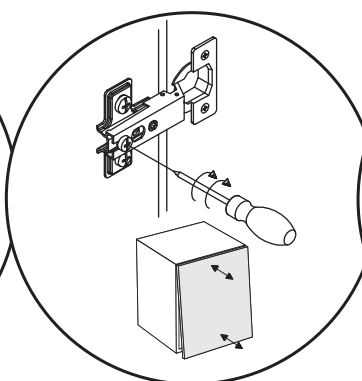
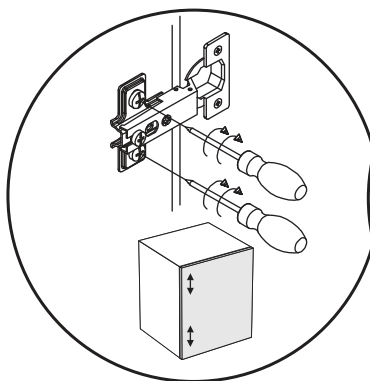
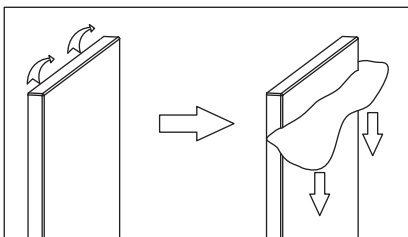
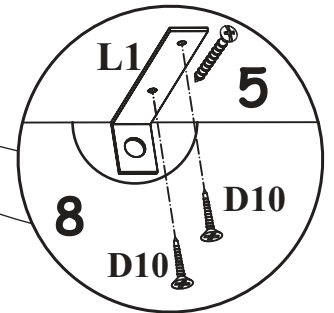
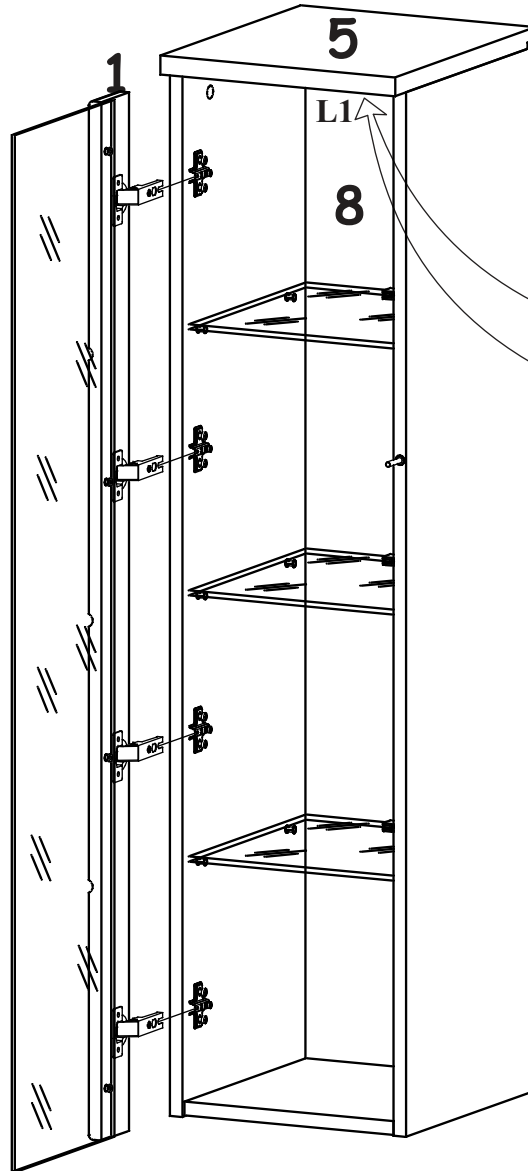
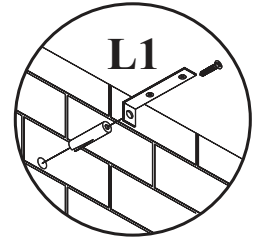
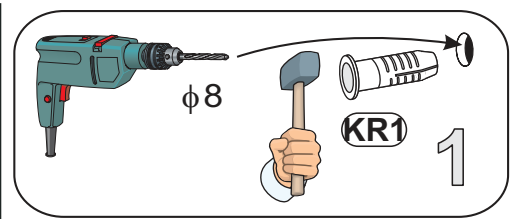
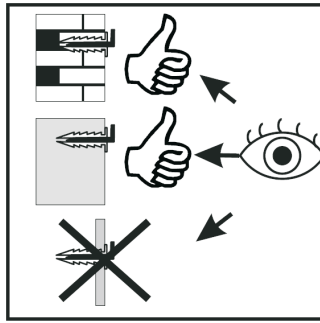
X=Y 90°



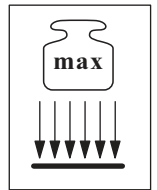
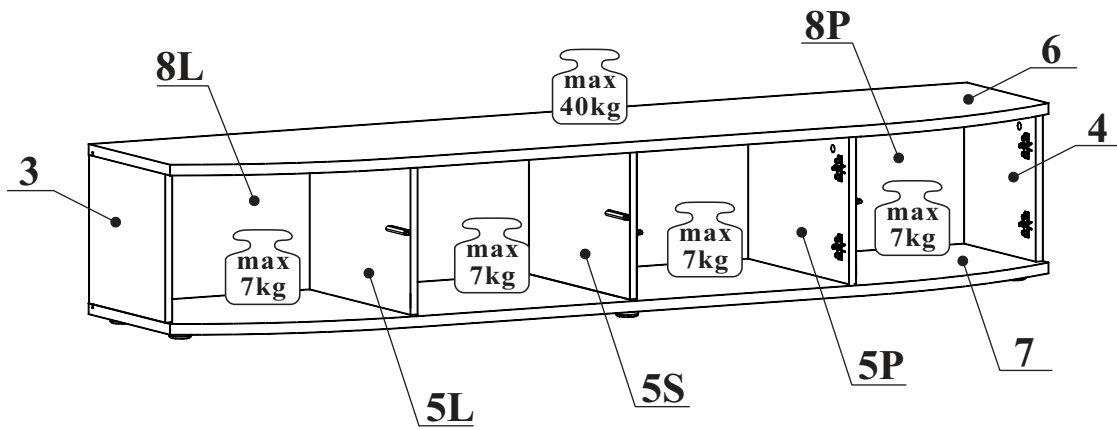
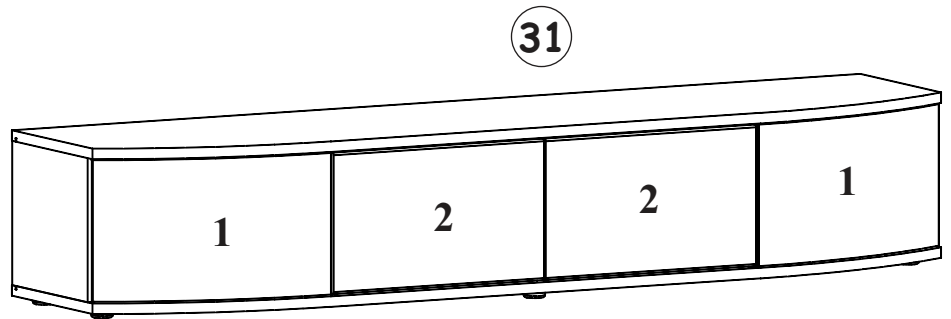
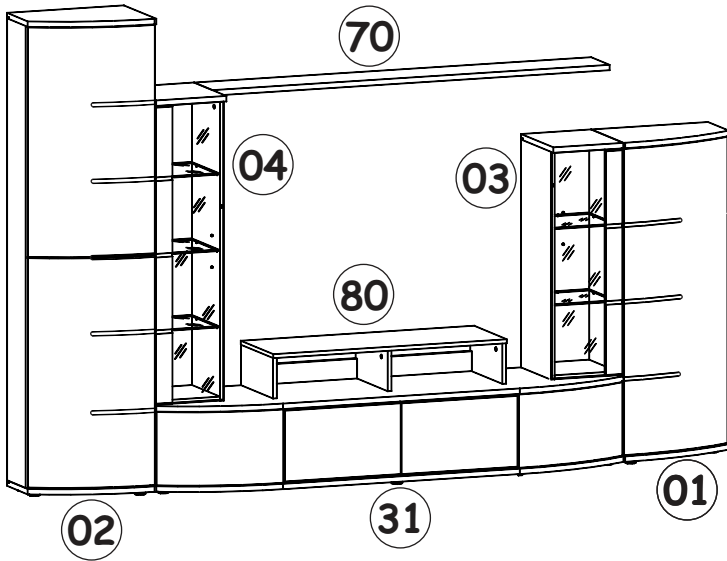
6



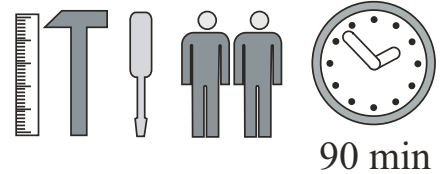
7



# LEAVE TYP 31



NO	Dim.[mm]			Col.-No	Qty
1	504	296	18	2	2
2	496	296	19	2	2
3	302	330	16	2	1
4	302	330	16	2	1
5L	302	437	16	2	1
5P	302	437	16	2	1
5S	302	437	16	2	1
6	2001	480	22	1	1
7	2001	480	22	1	1
8L	314	989	3	1	1
8P	314	989	3	1	1

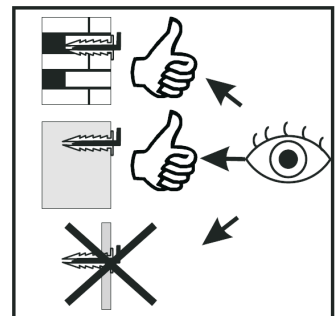
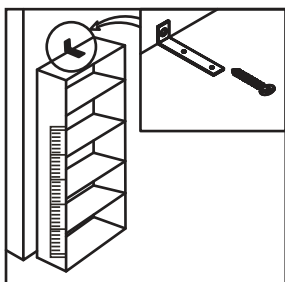
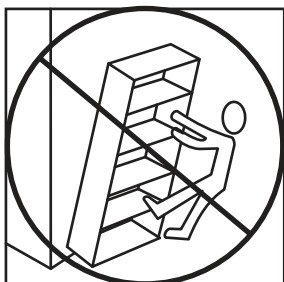
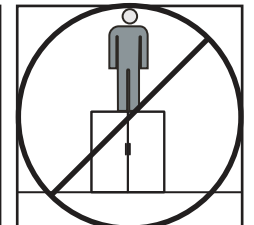
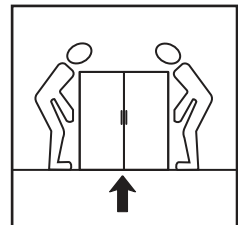
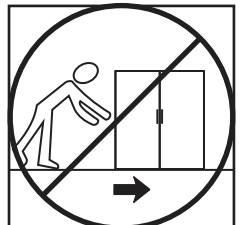
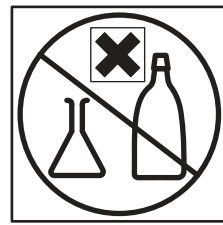
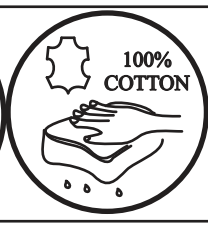
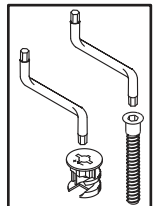
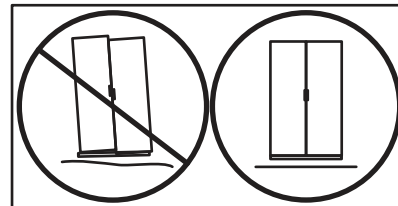
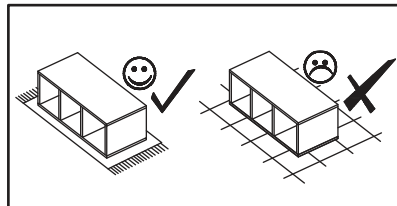
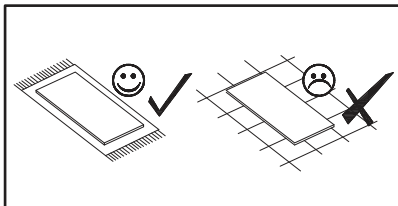
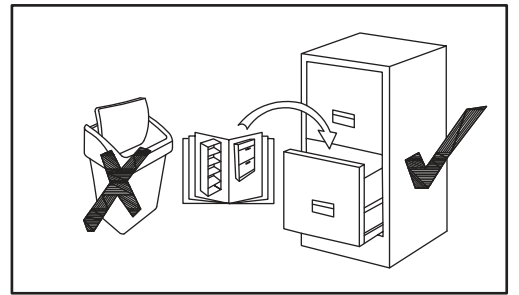
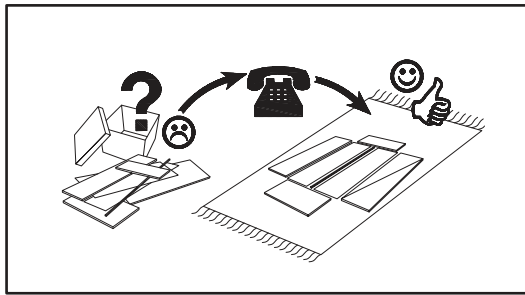
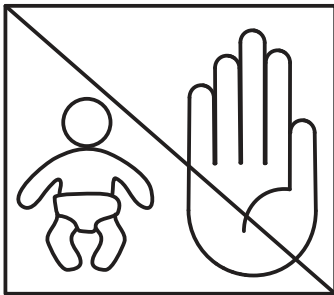
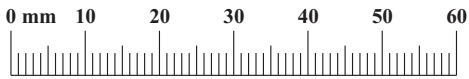


90 min



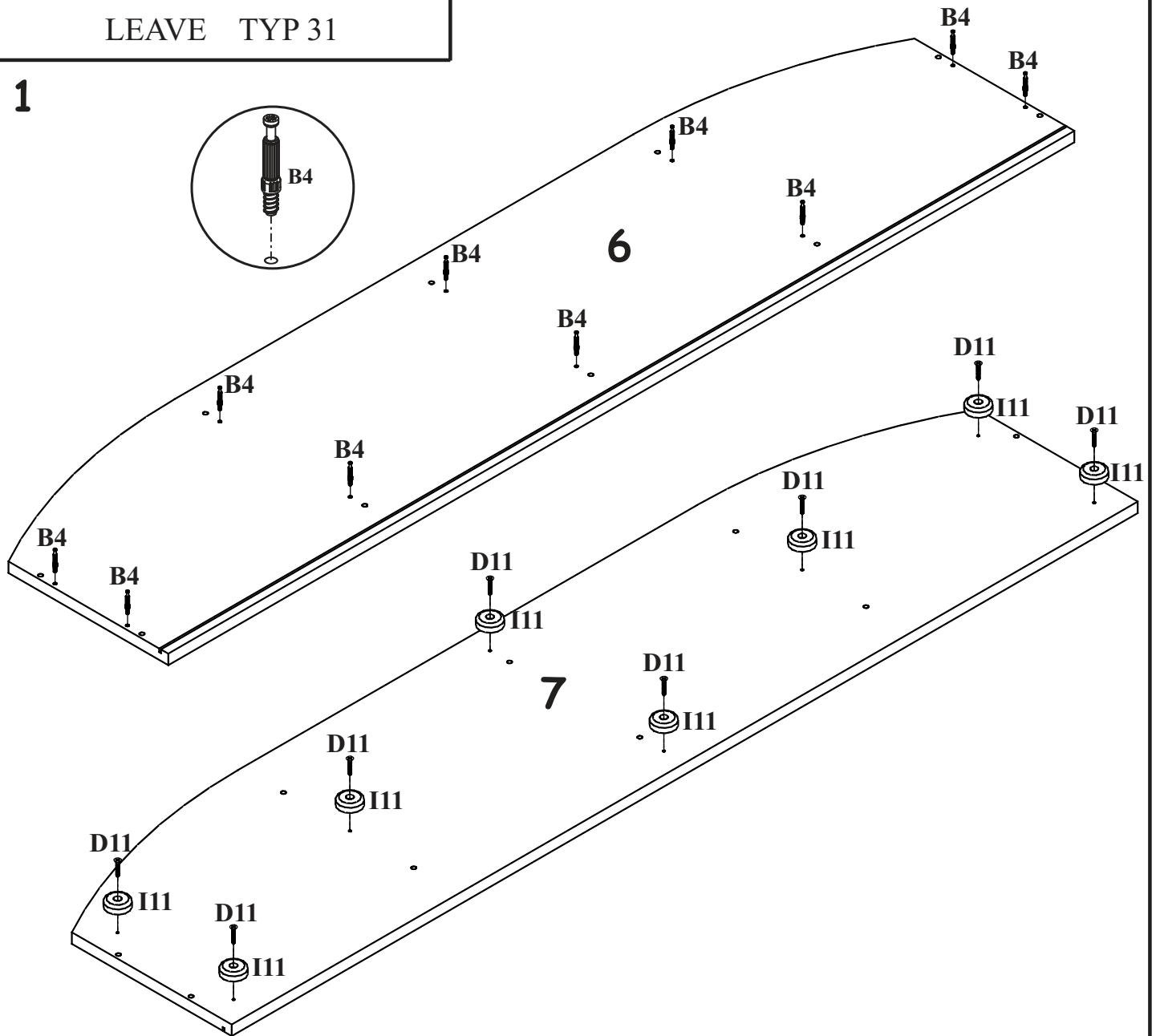
# LEAVE TYP 31

A1 X20 ø8x36	B4 X10	B5 X10 ø15x12	G5 X10	B11 X10 Ø7x50	G4 X10
E21 X4 Ø35 H=0	E23 X4 Ø35 H=8	E2 X8 H=0	D10 X28 USØ3,5x13	T2 X4 D10	S1 X14
I11 X8	D11 X8 USØ3,5x25	G16 X3	UP13 X3 UPØ3x16	L1 X2	KR1 X2
G2 X1					

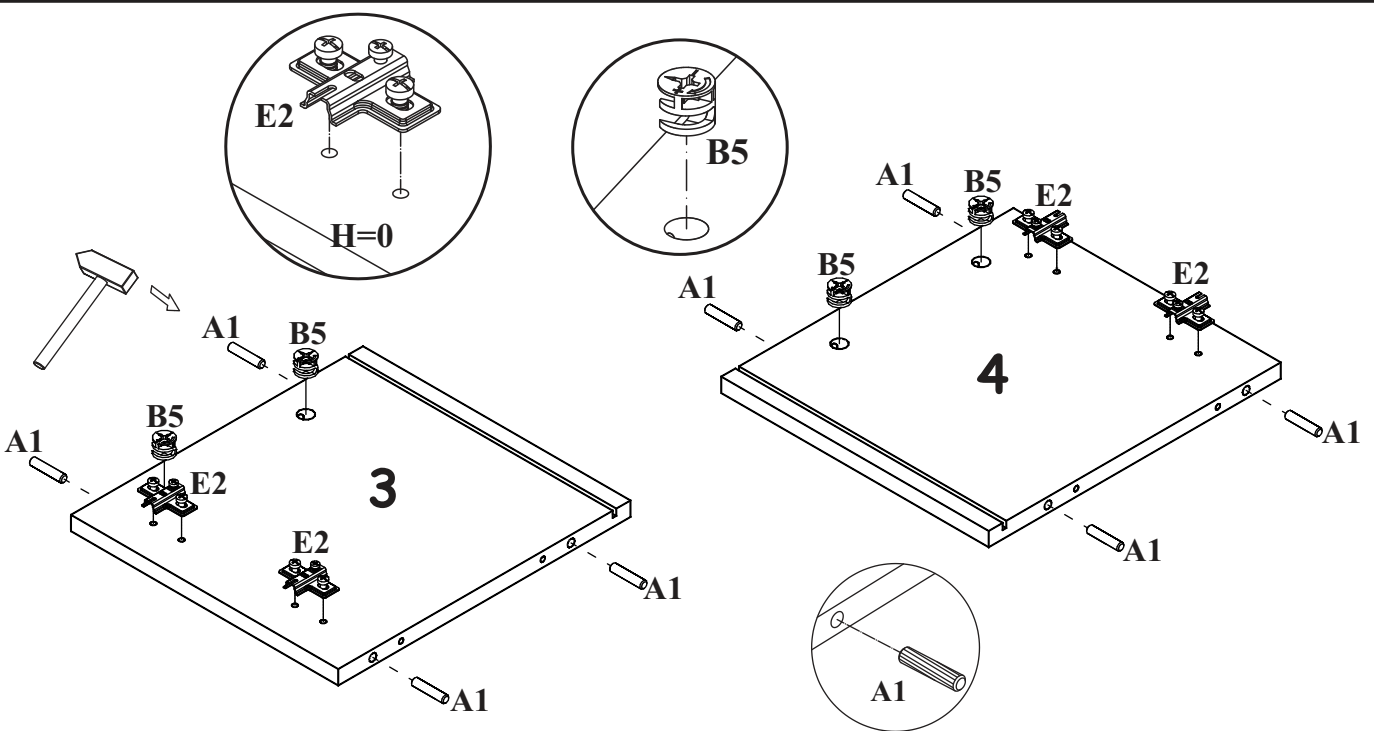


LEAVE TYP 31

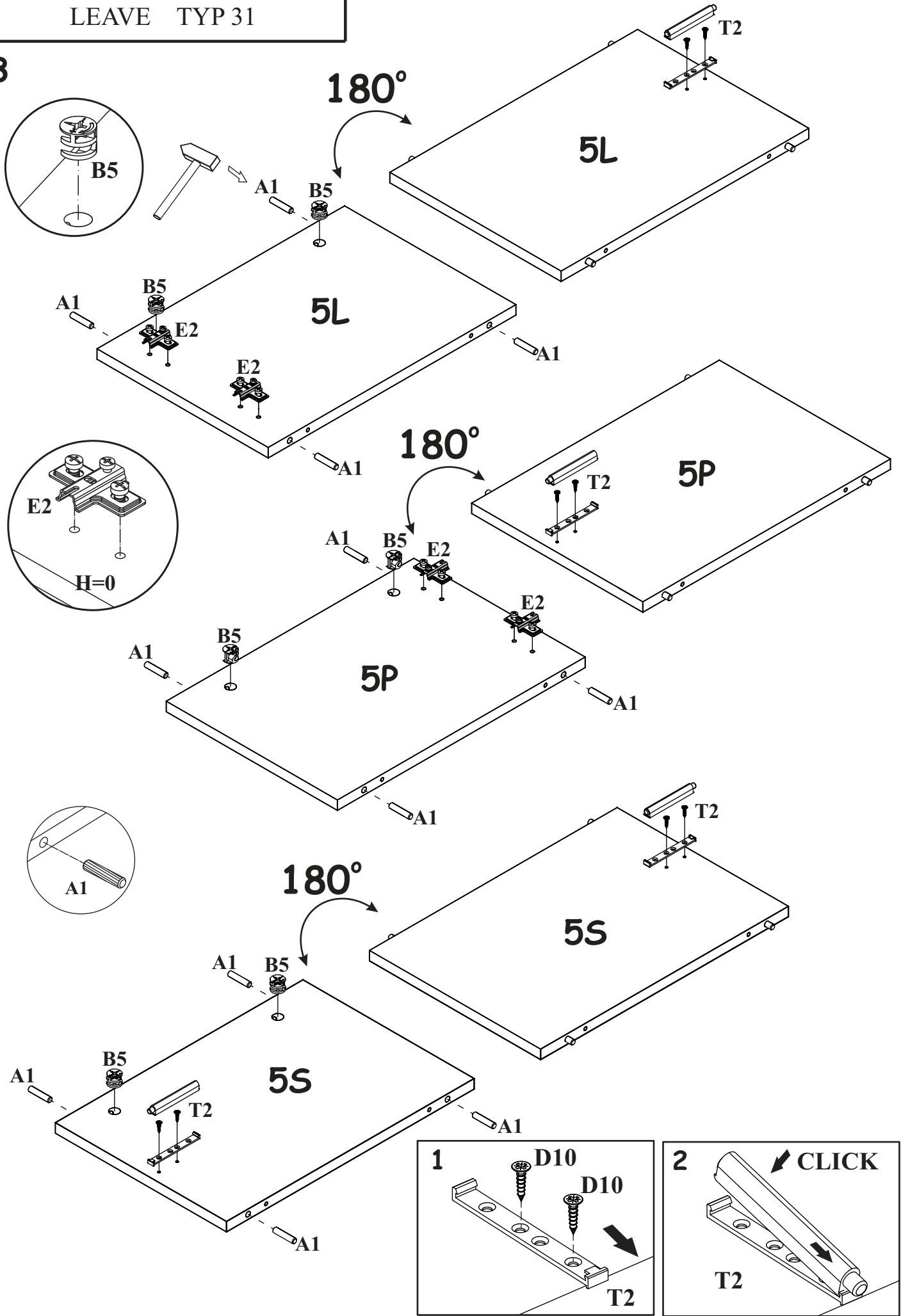
1



2

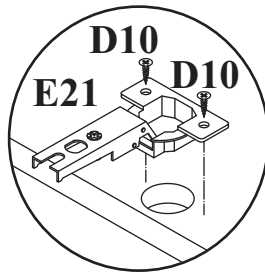
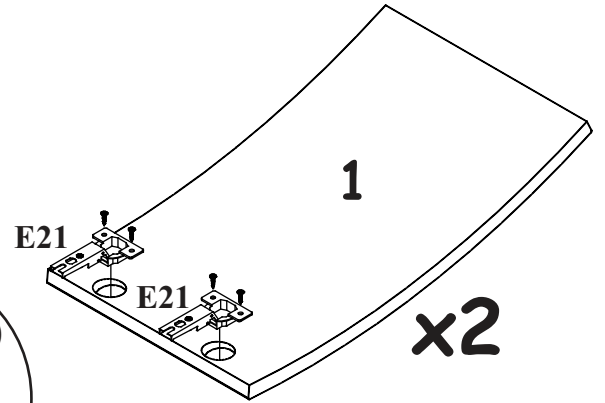
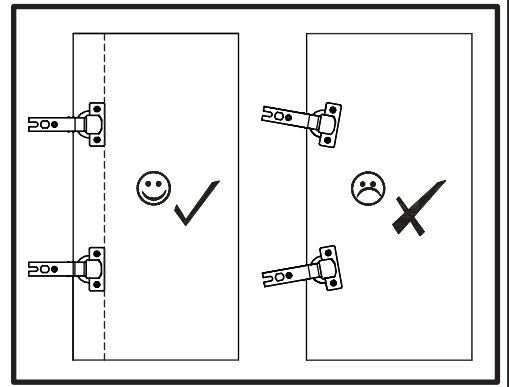
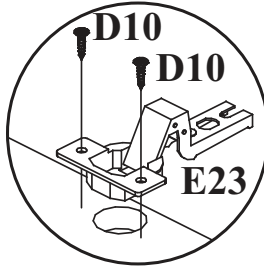
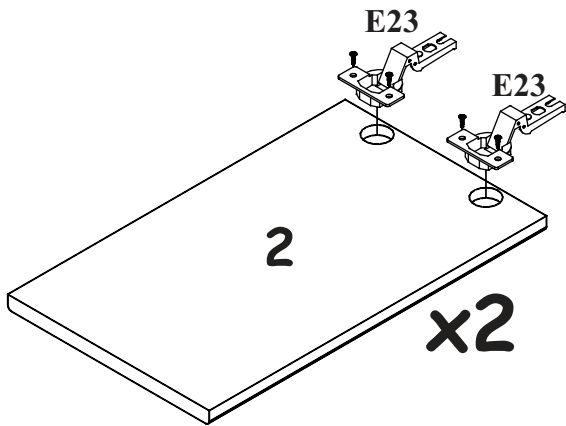


3

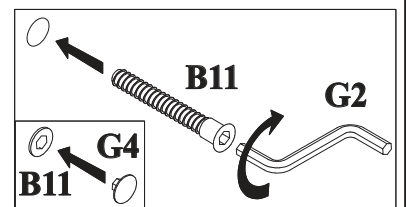
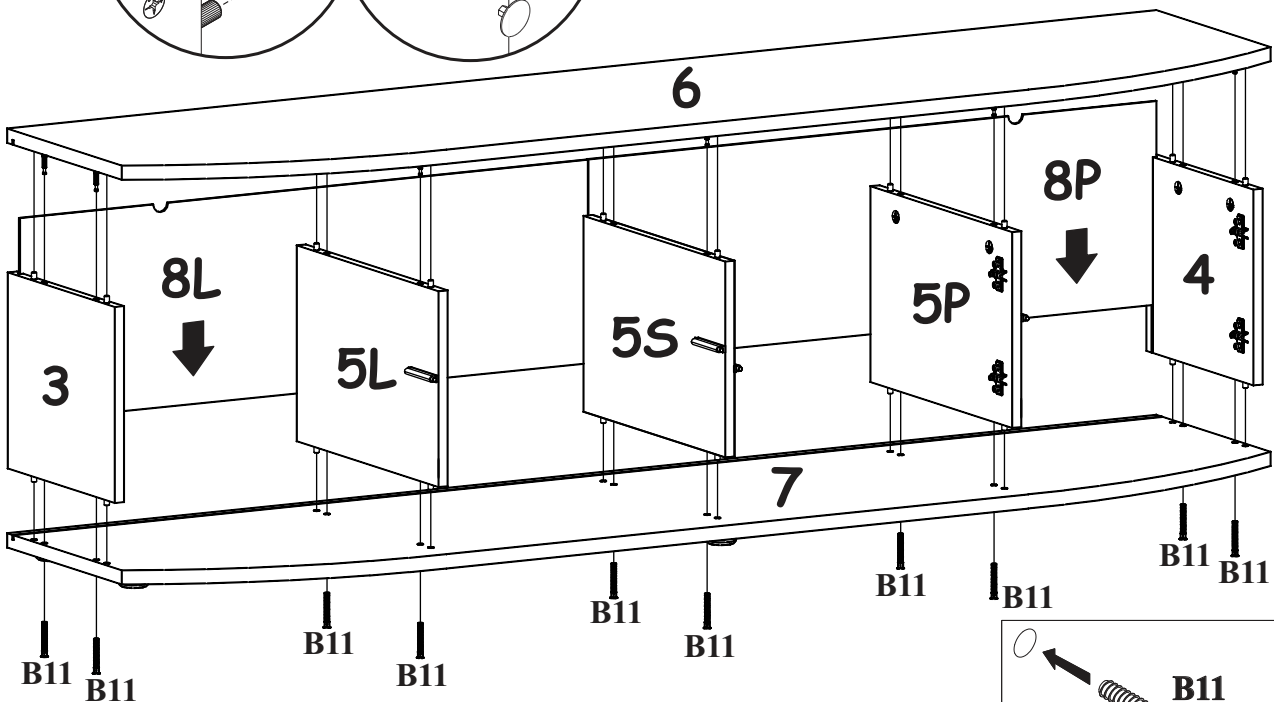
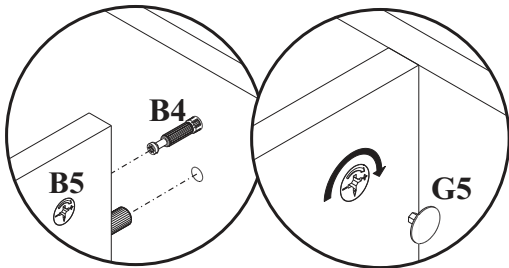


LEAVE TYP 31

4



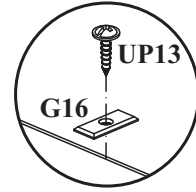
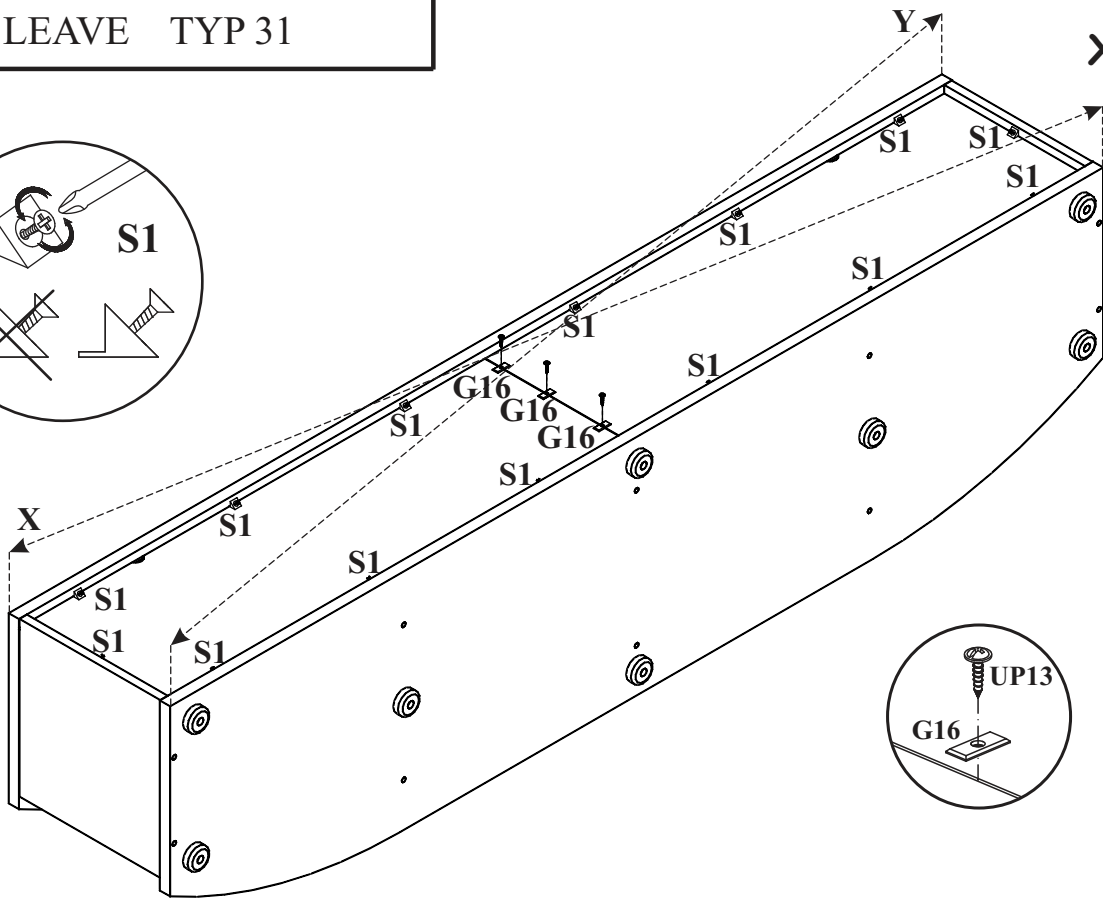
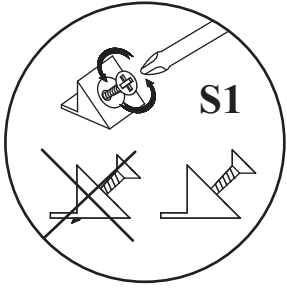
5



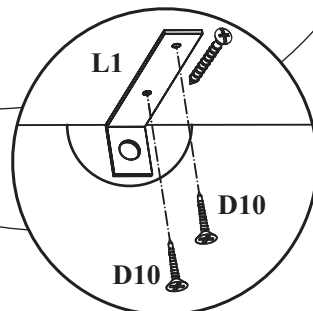
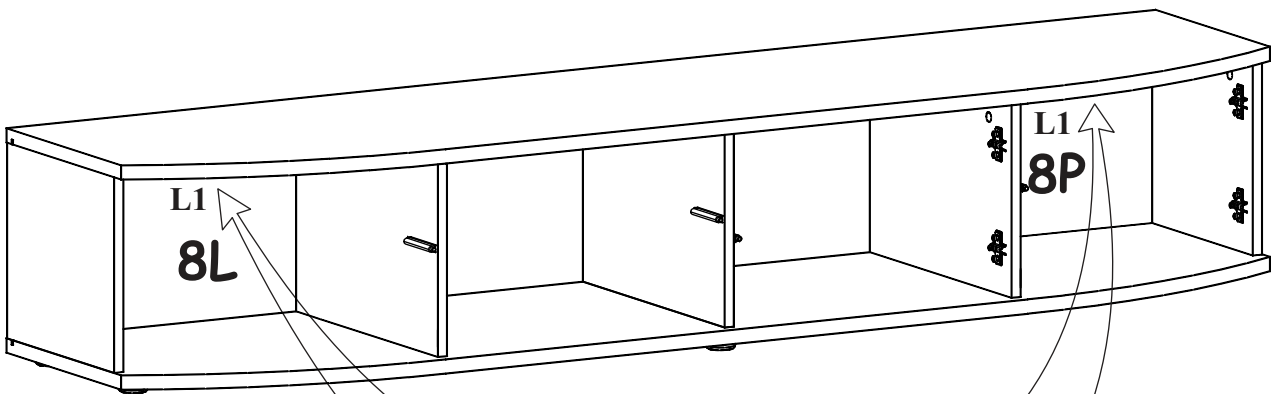
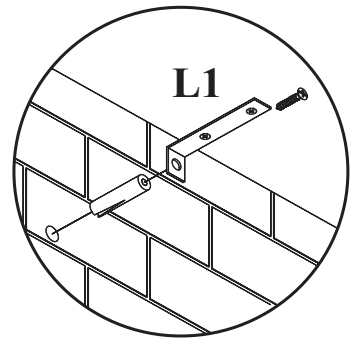
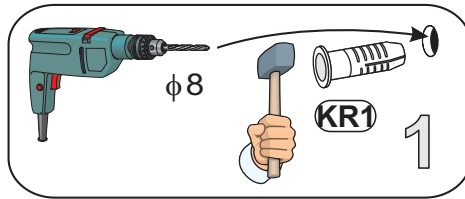
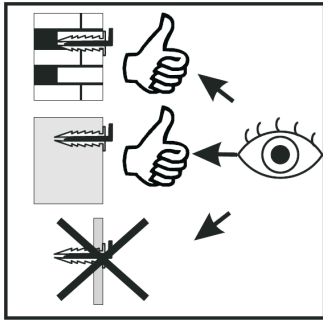
LEAVE TYP 31

6

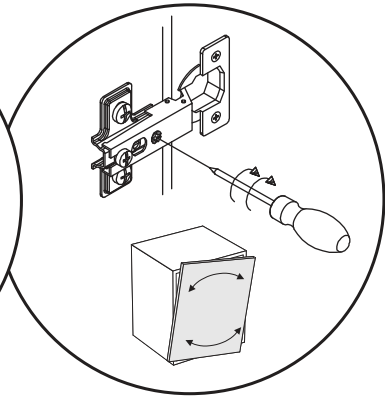
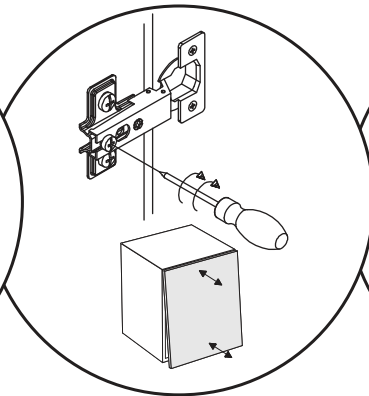
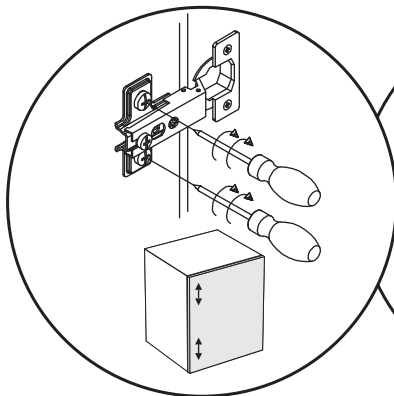
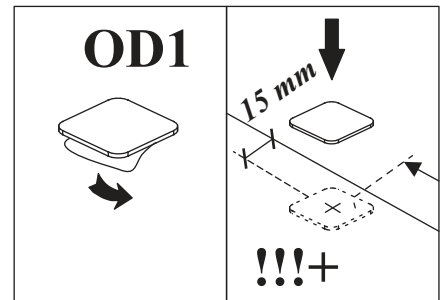
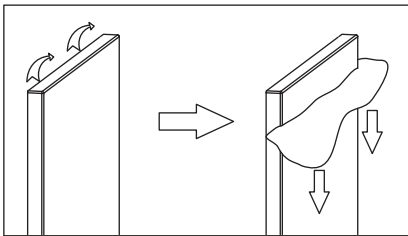
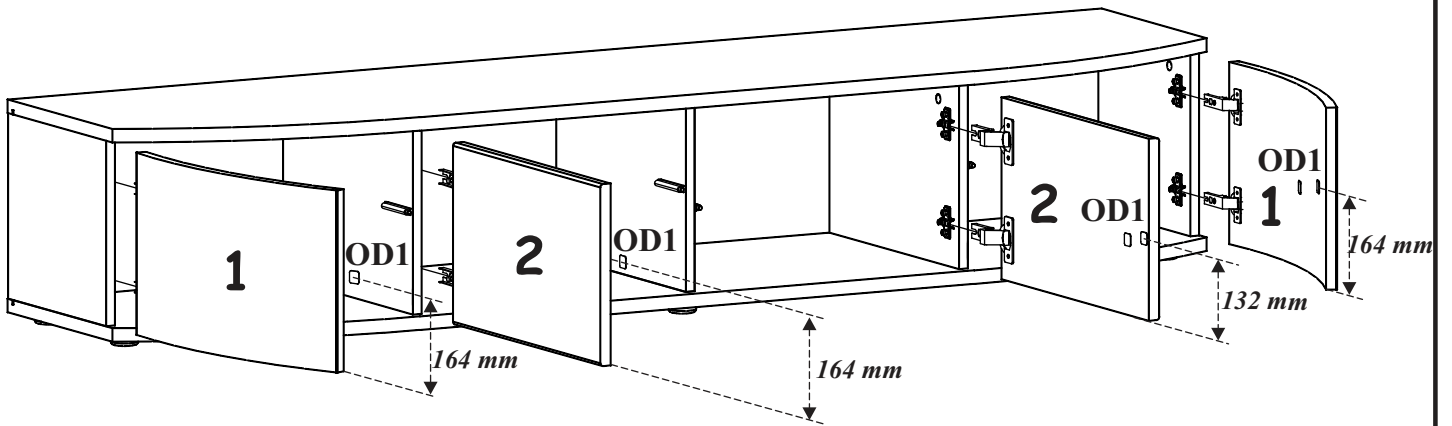
X=Y 90°



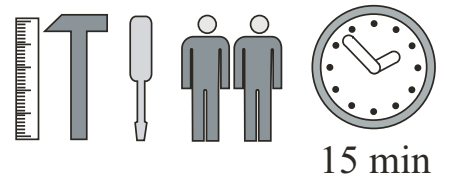
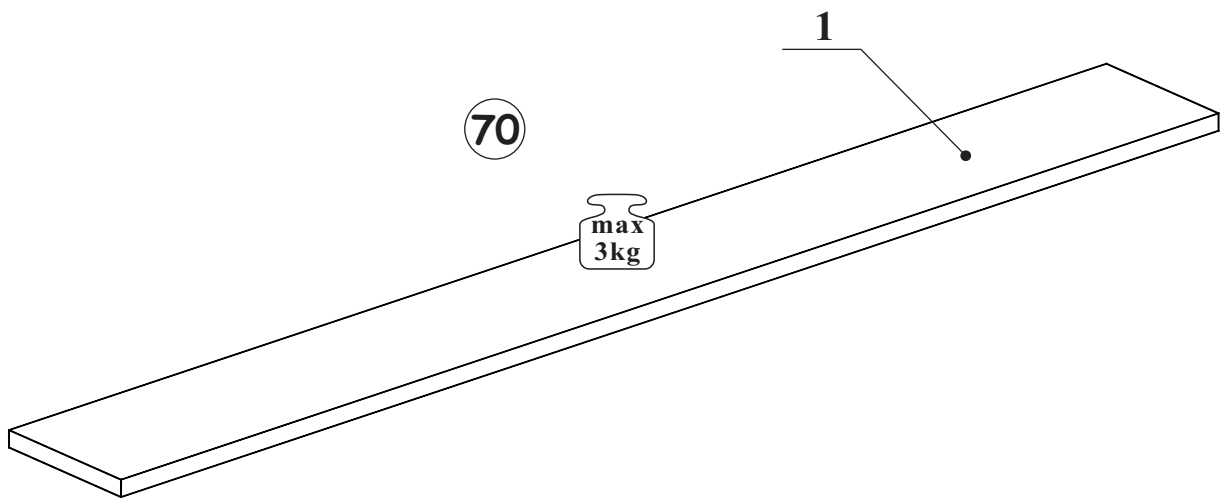
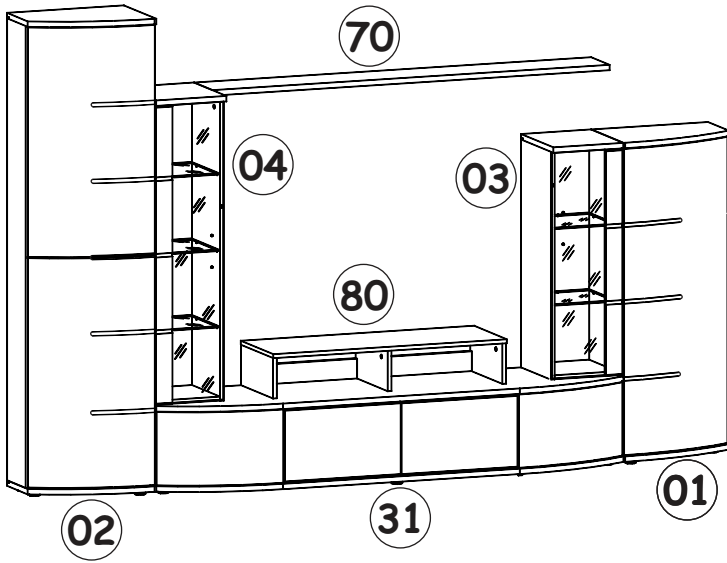
7



8

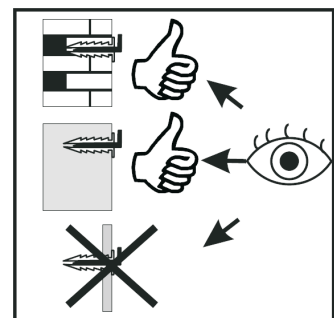
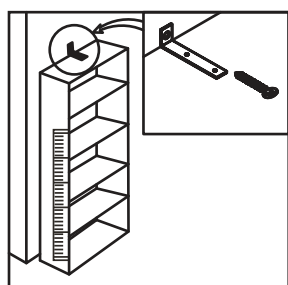
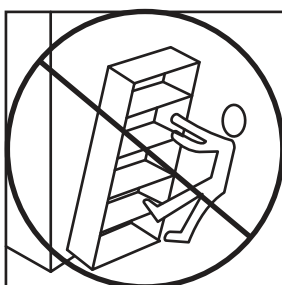
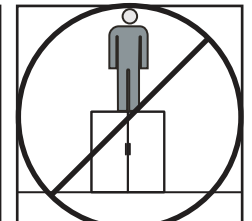
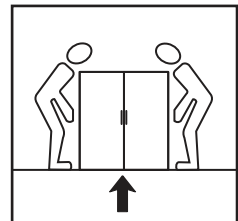
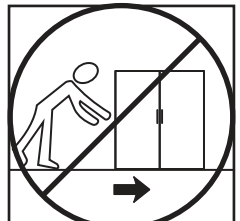
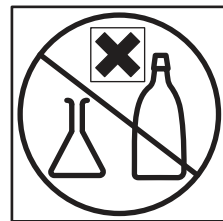
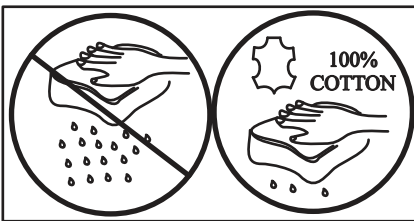
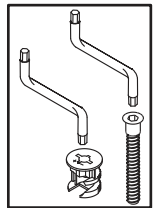
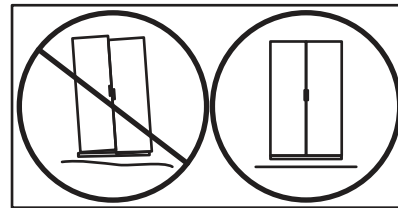
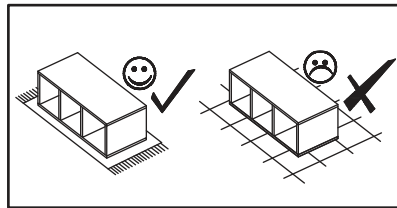
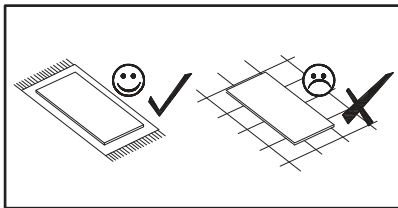
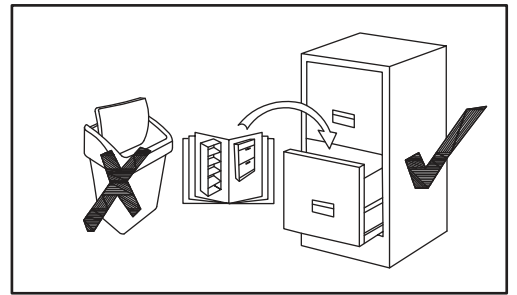
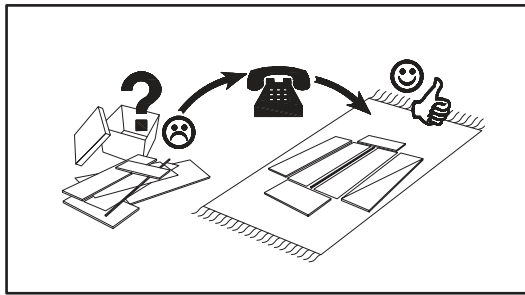
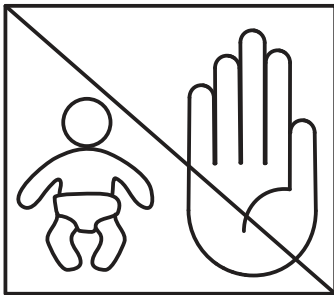
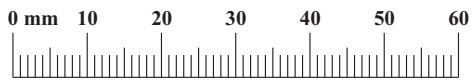
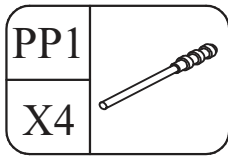


# LEAVE TYP 70



NO	Dim.[mm]			Col.-No	Qty
1	1701	200	22	1	1

LEAVE TYP 70





1

