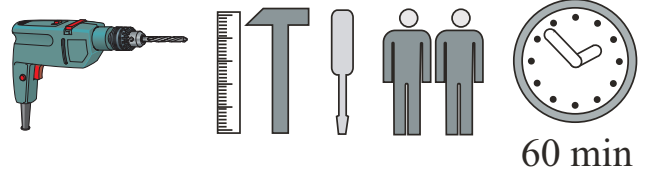
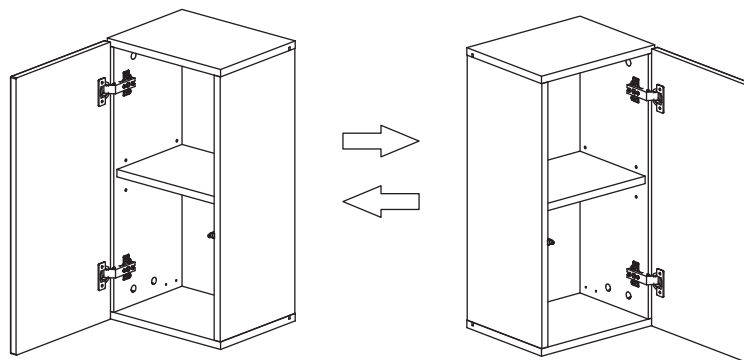
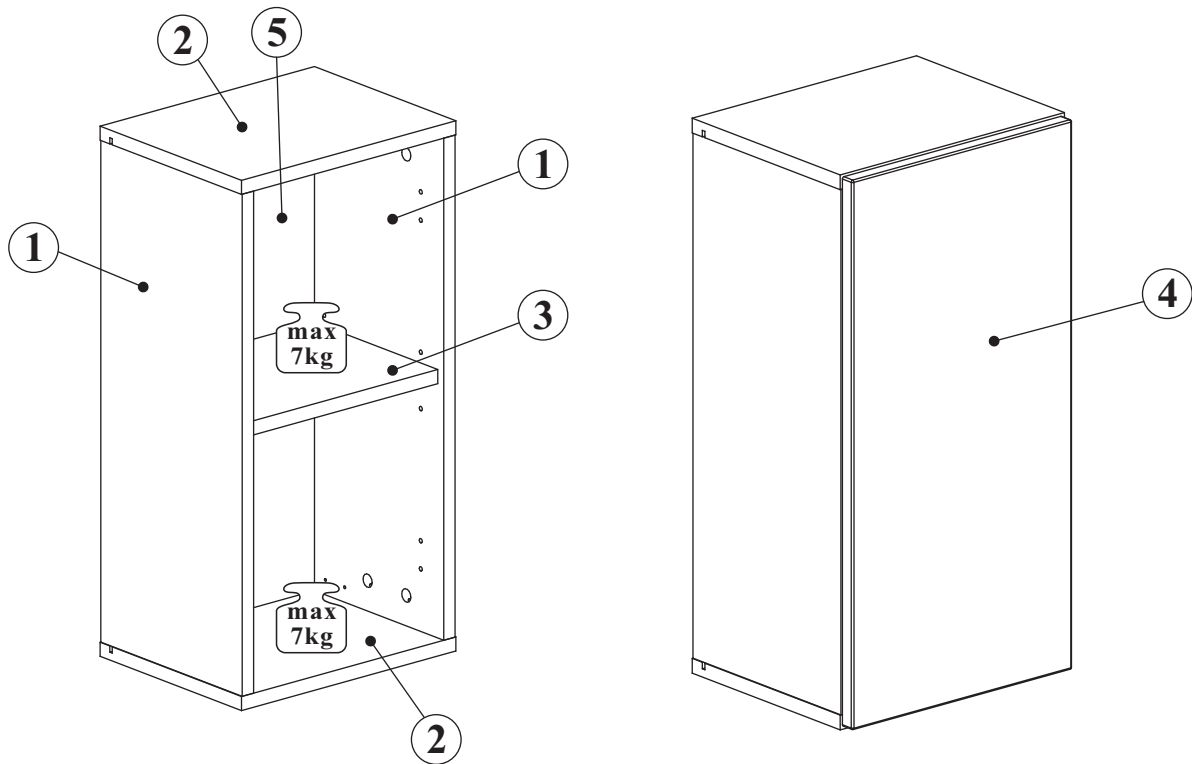
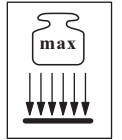


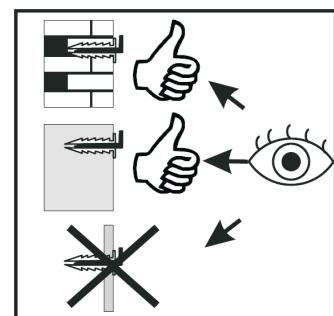
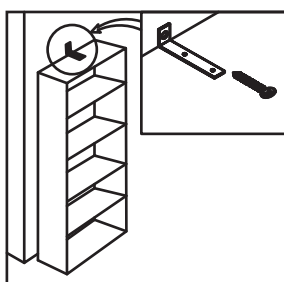
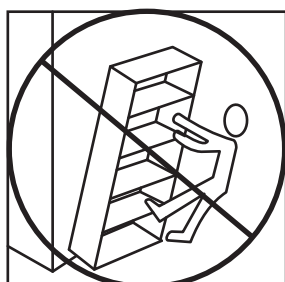
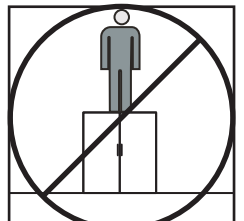
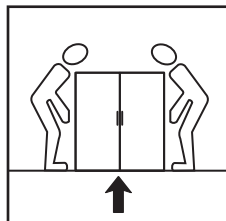
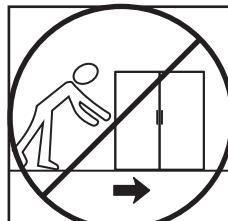
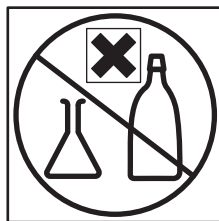
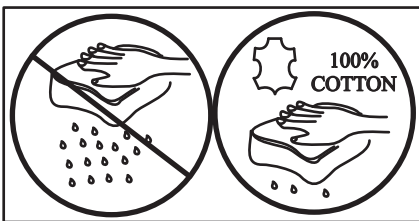
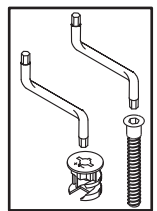
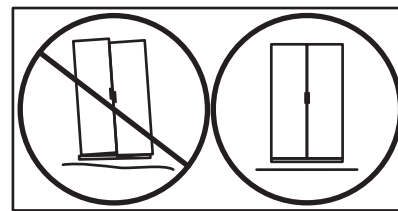
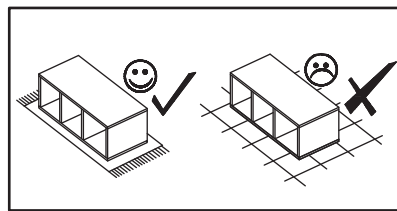
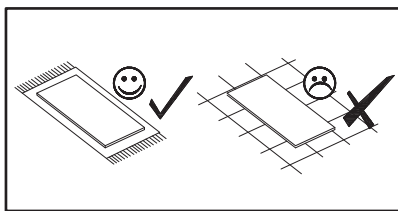
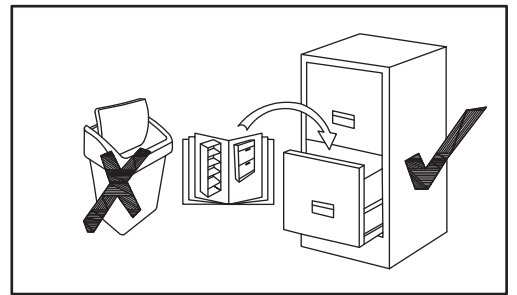
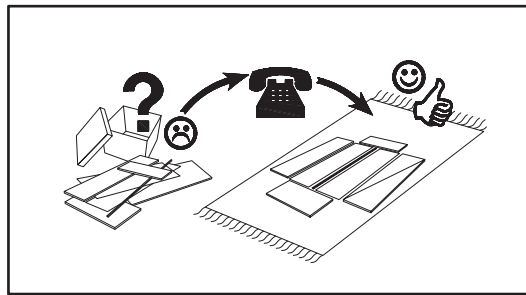
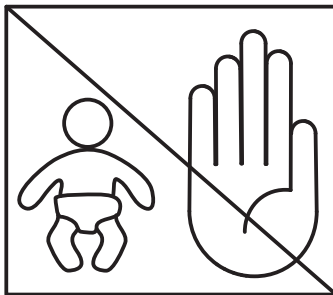
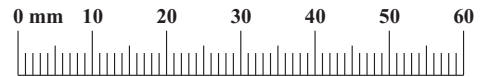
# SWITCH 27 -- SW SW 4



NO	Dim.			Col-No	Qty
1	570	234	16	1	2
2	302	234	16	1	2
3	268	204	16	1	1
5	582	280	3	1	1
4	296	596	16	1	1

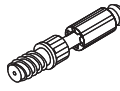
# SWITCH SW 4

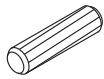
A1 x8 ø8x36	B4 x8	G5 x8	B5 x8 ø15x12	ZR1 x2	D6 x4 USØ3,5x30
E1 x2 Ø26 H=0	E2 x2 H=0	D10 x6 USØ3,5x13	T1 x1	S1 x6	KR2 x2 Ø8
G7 x4	G2 x1	Z2 x4 Ø5			

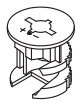


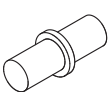
SWITCH SW 4

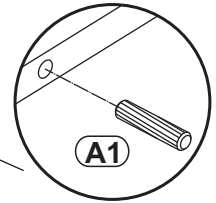
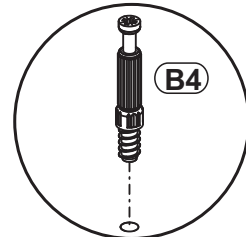
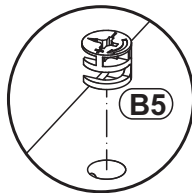
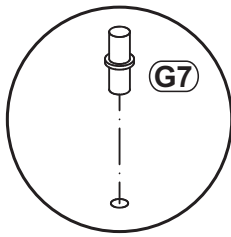
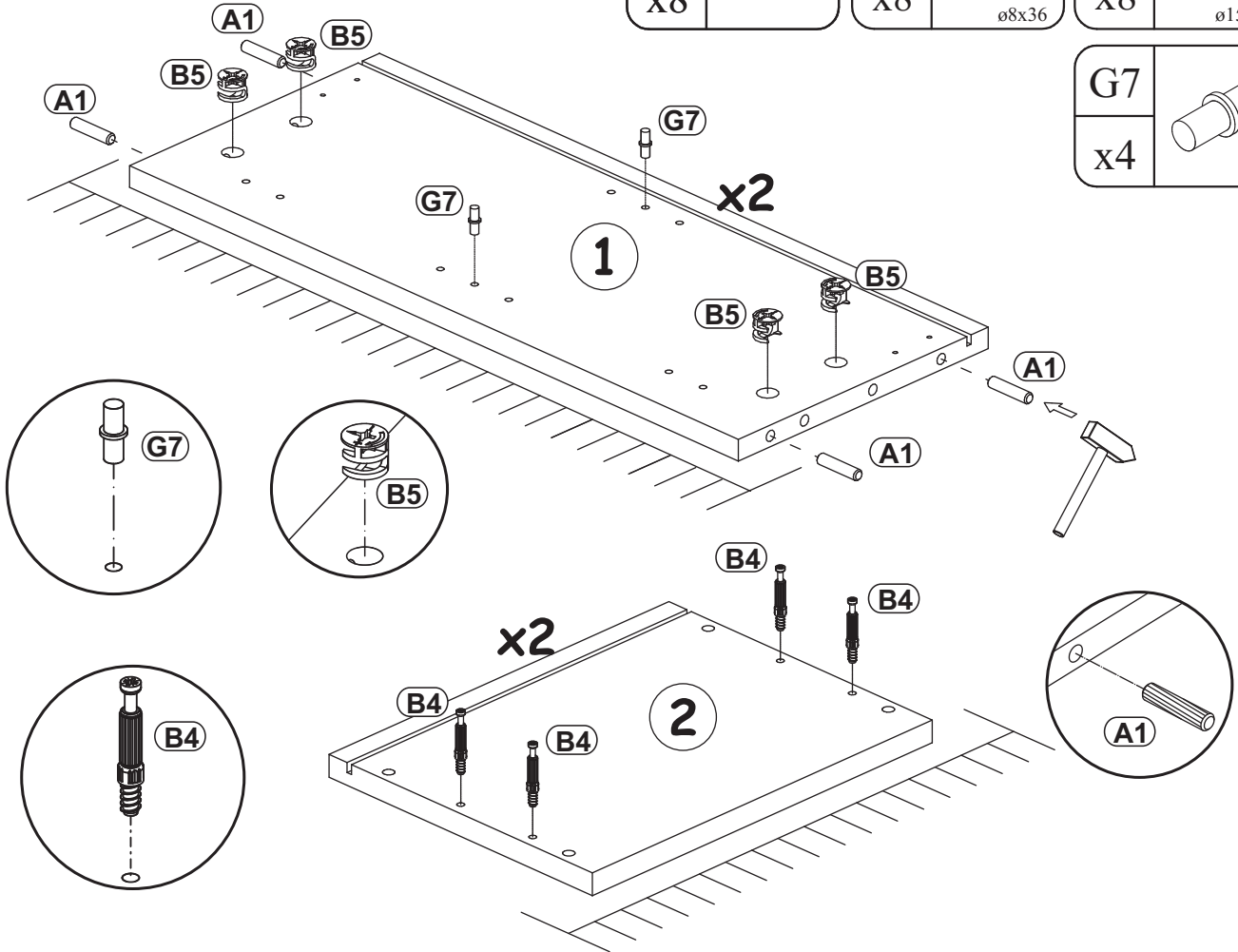
1

B4	
x8	

A1	
x8	ø8x36


B5	
x8	ø15x12

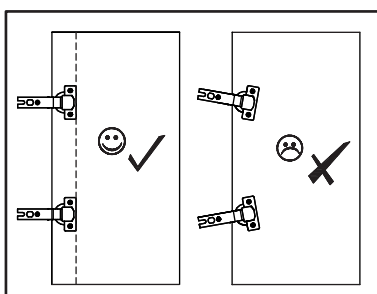
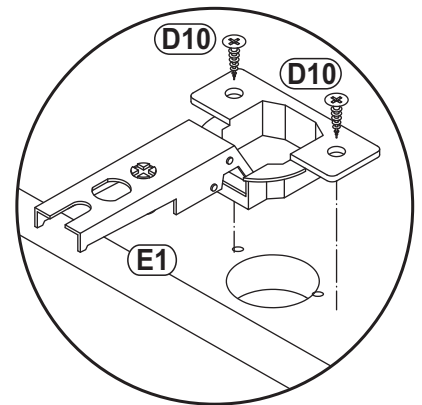
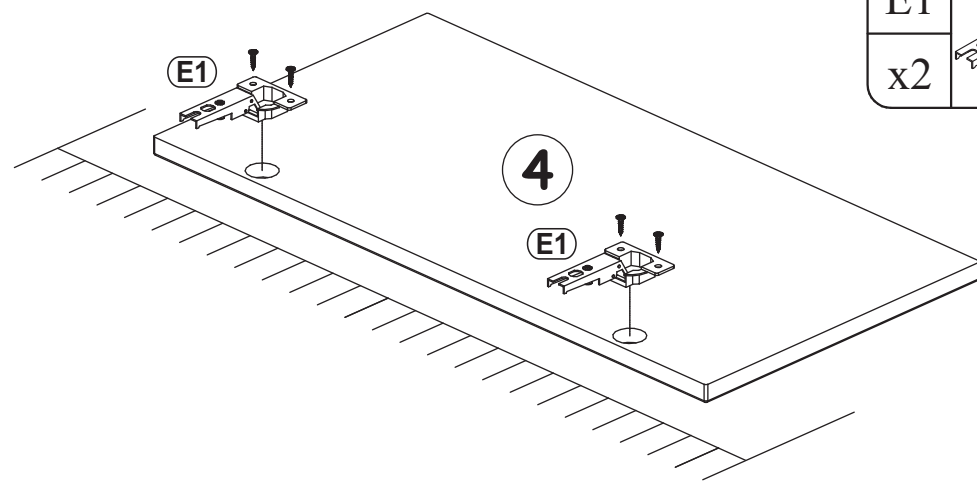
G7	
x4	



2

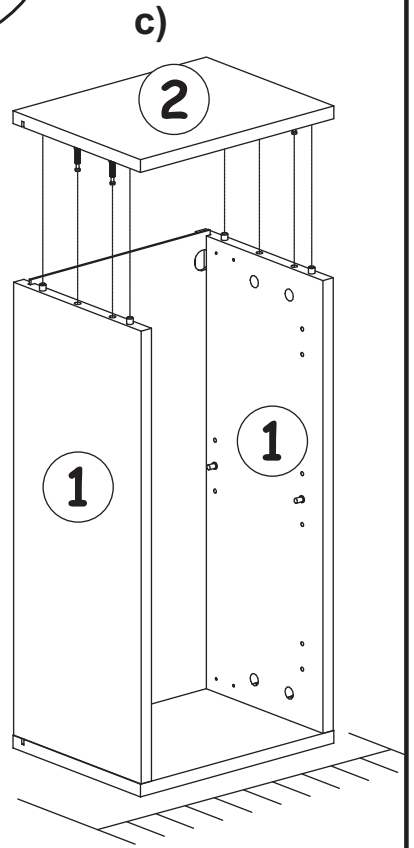
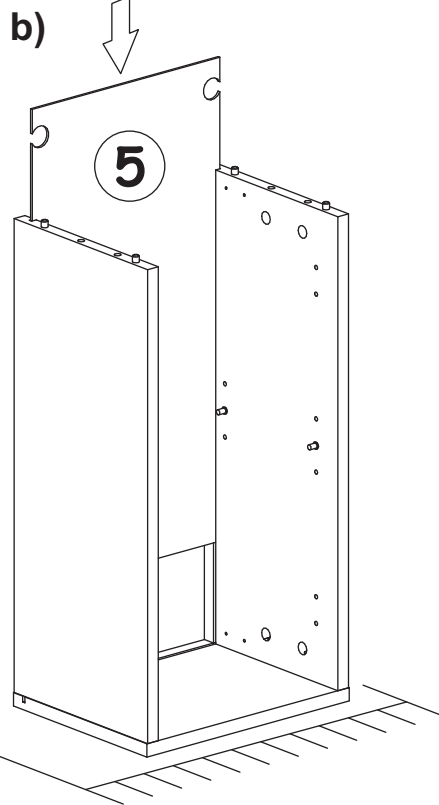
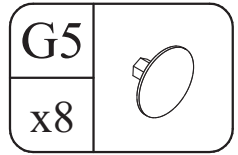
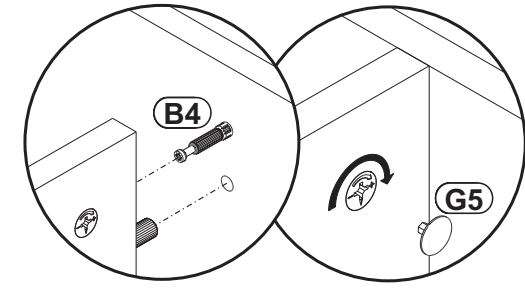
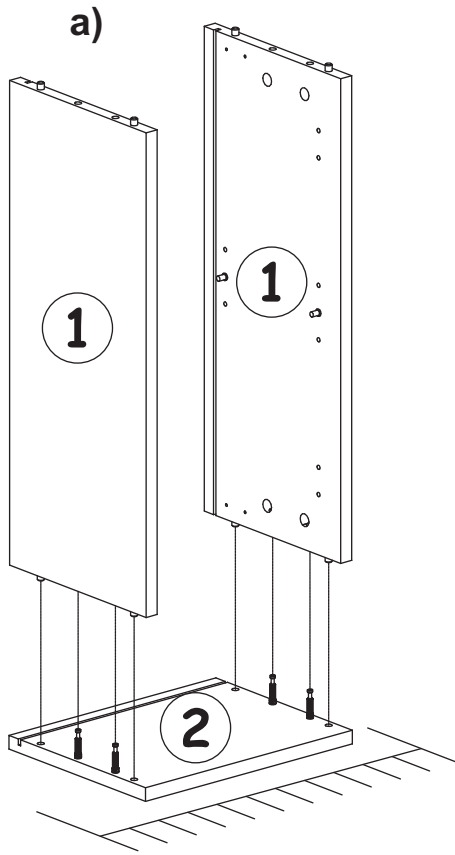
E1	Ø26
x2	H=0

D10	
x4	USØ3,5x13

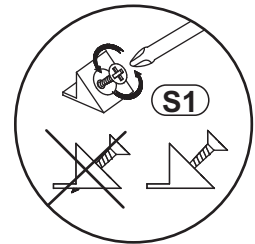
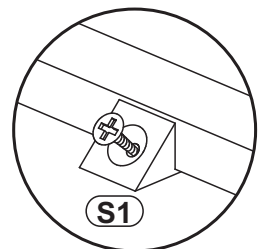
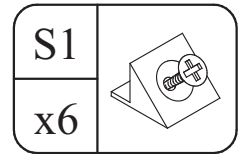
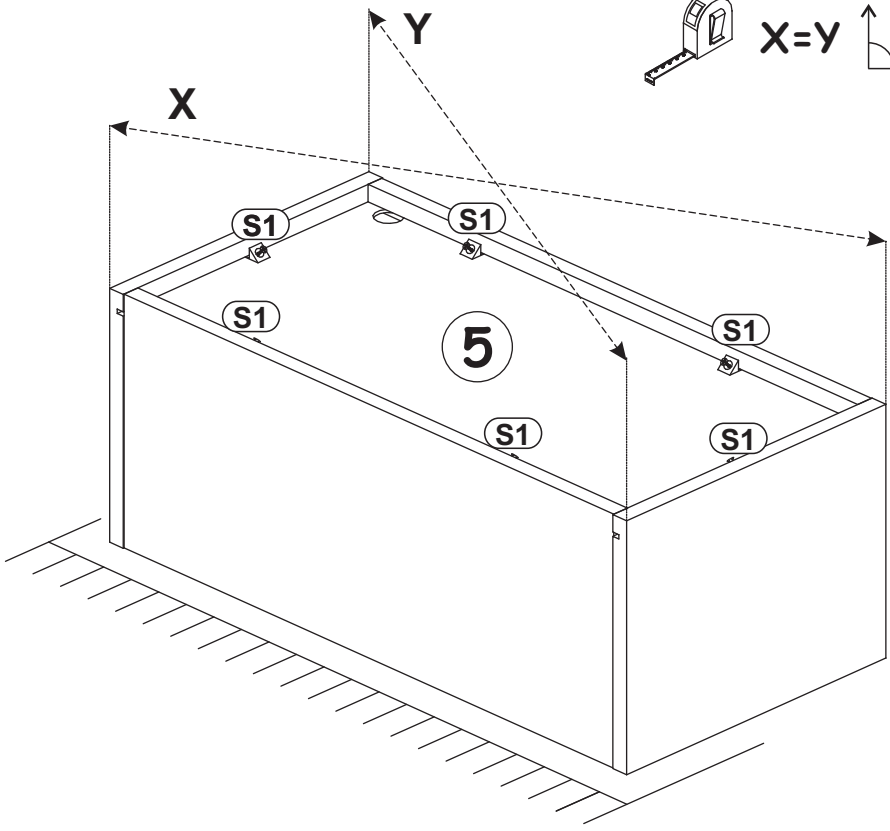


SWITCH SW 4

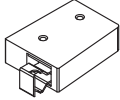
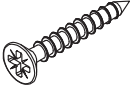
3



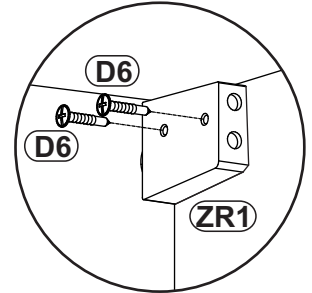
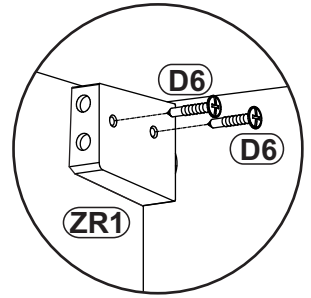
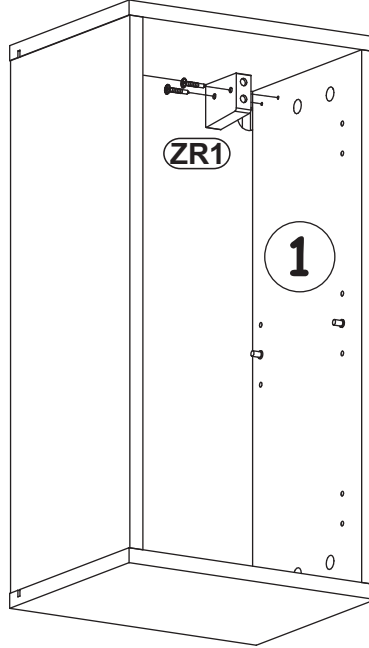
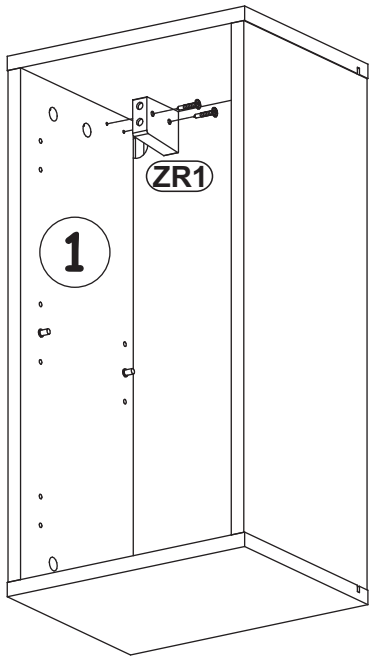
4



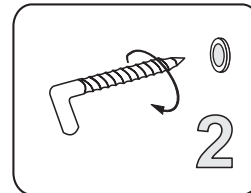
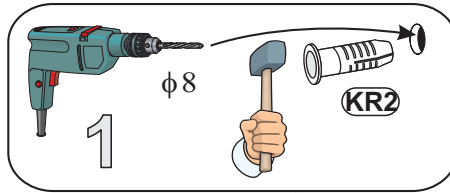
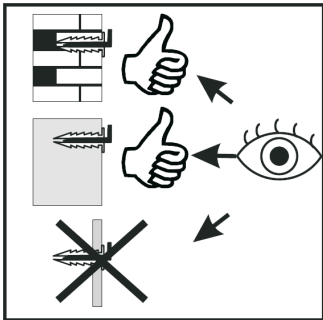
SWITCH SW 4

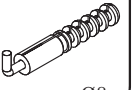
ZR1		D6	
x2		x4	USØ3,5x30

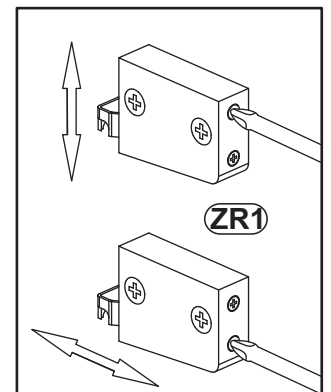
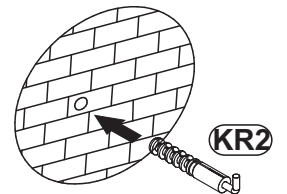
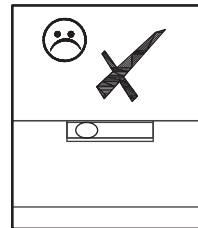
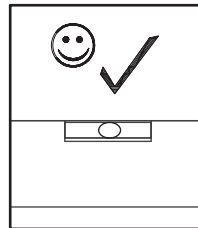
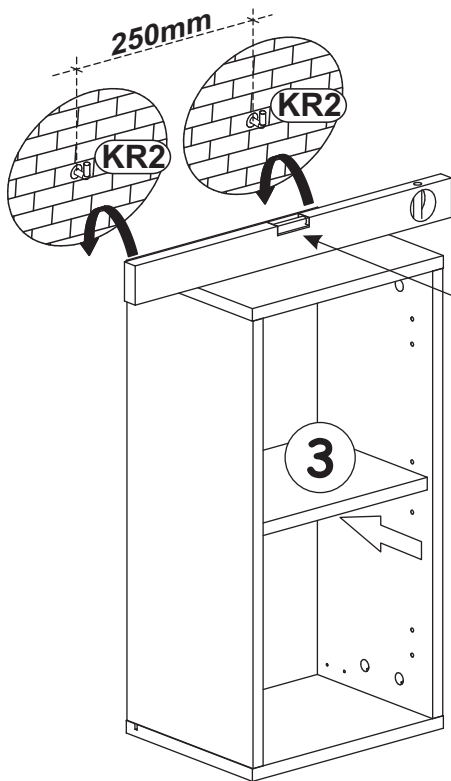
5



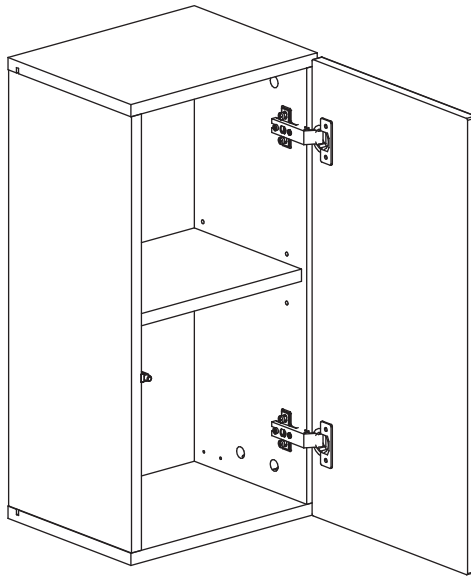
6



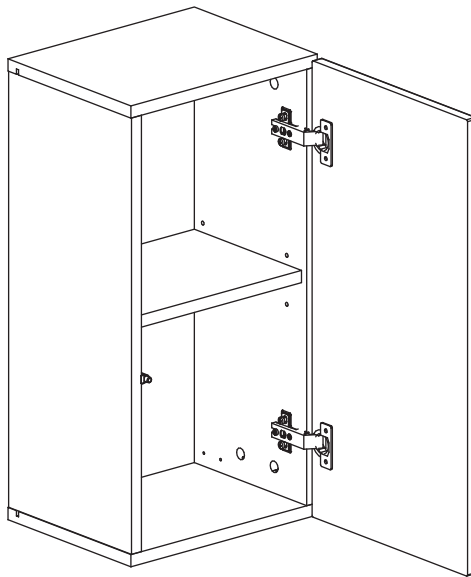
KR2	
x2	Ø8



7 - 8

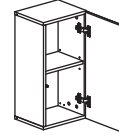
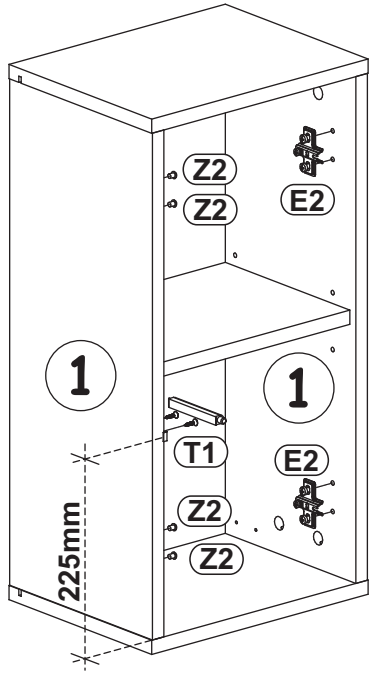
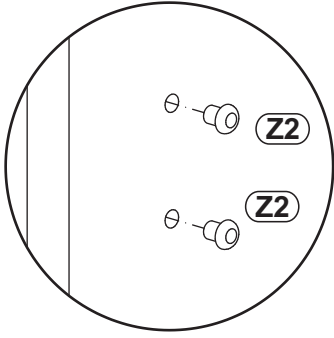



9 - 10

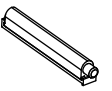



SWITCH SW 4

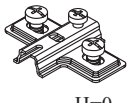
7

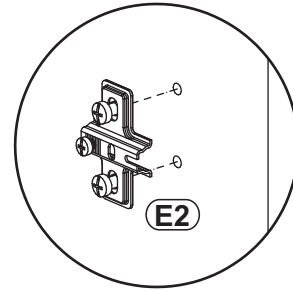
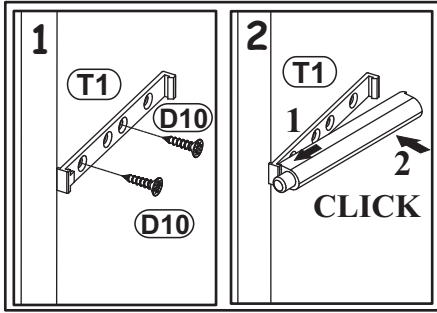


D10	
x2	USØ3,5x13

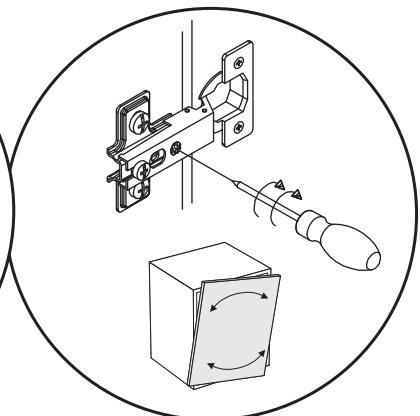
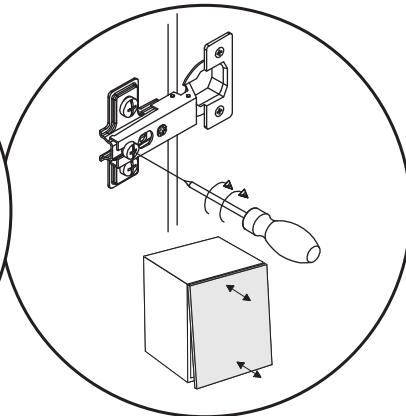
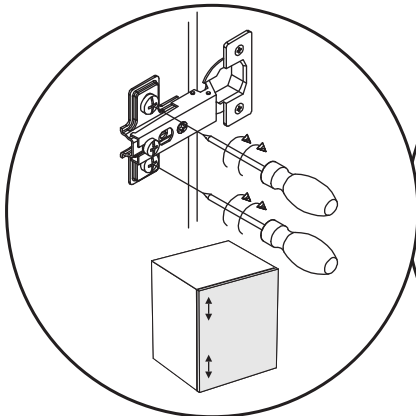
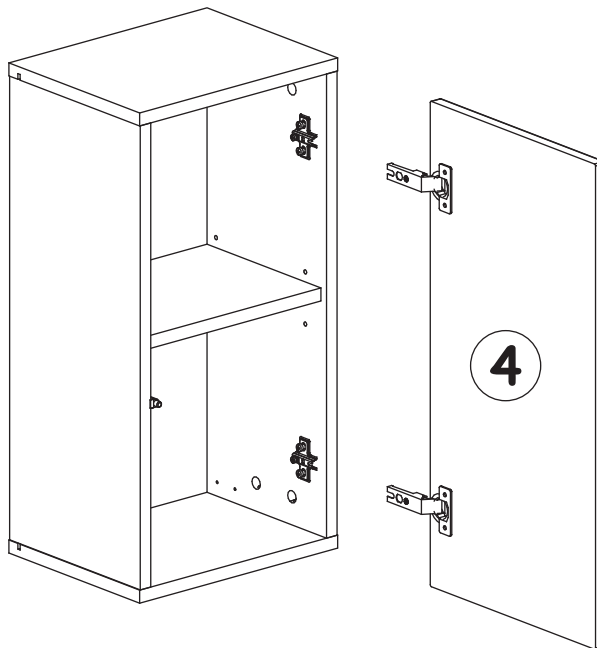
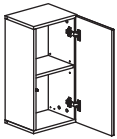
T1	
x1	

Z2	
x4	Ø5

E2	
x2	H=0

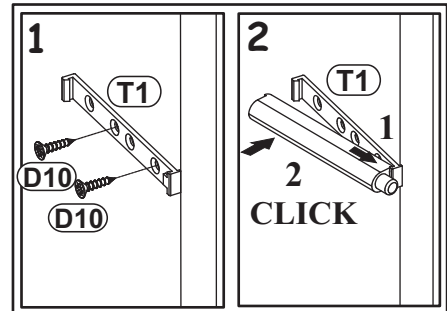
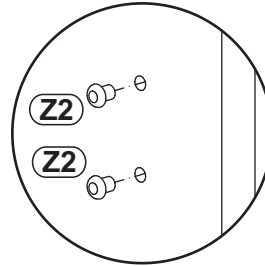
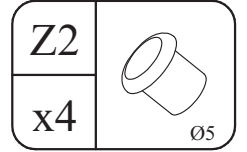
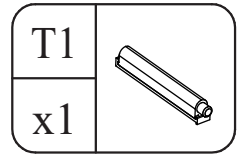
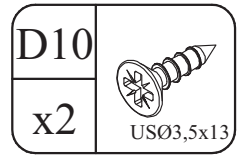
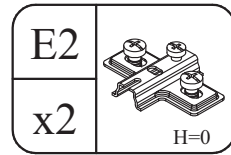
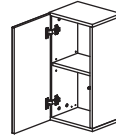
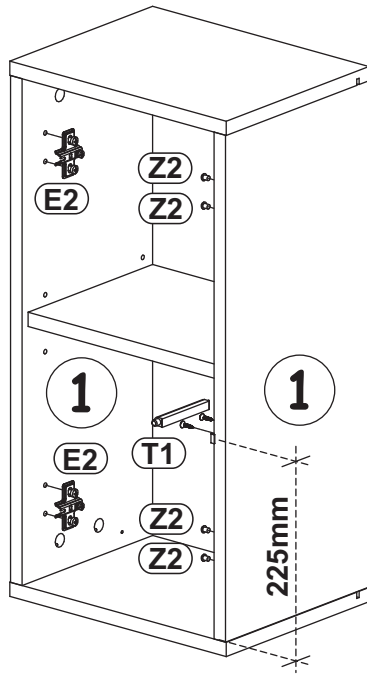
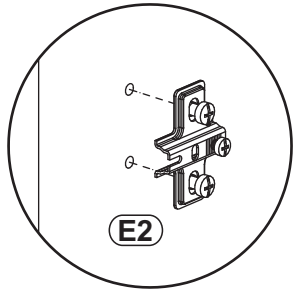


8

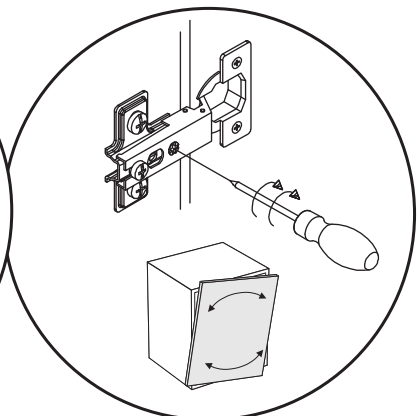
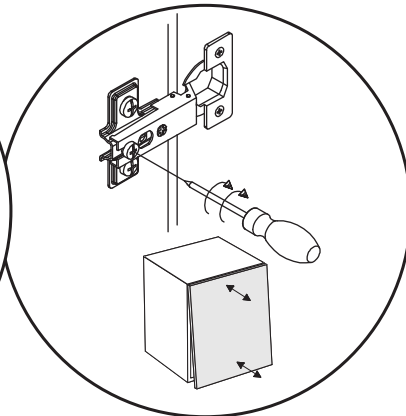
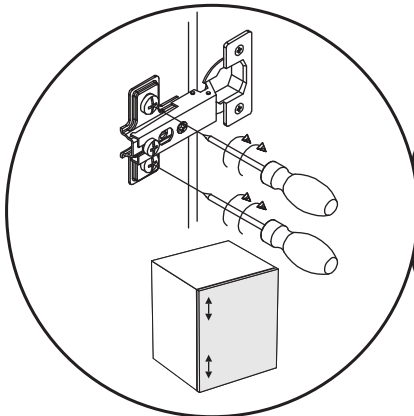
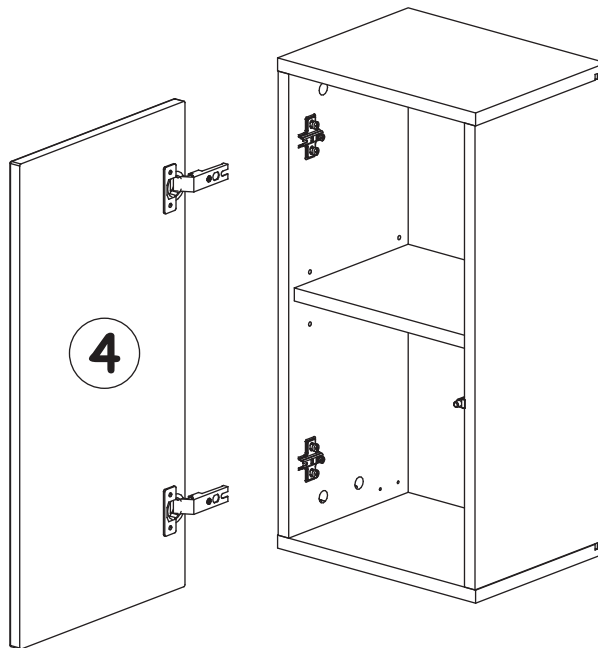
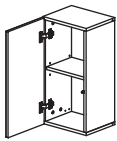


SWITCH SW 4

9

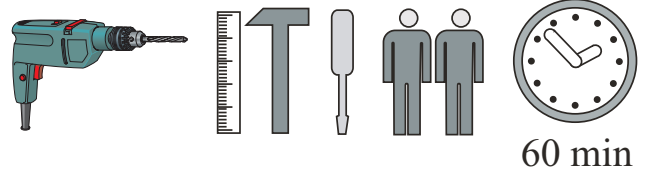
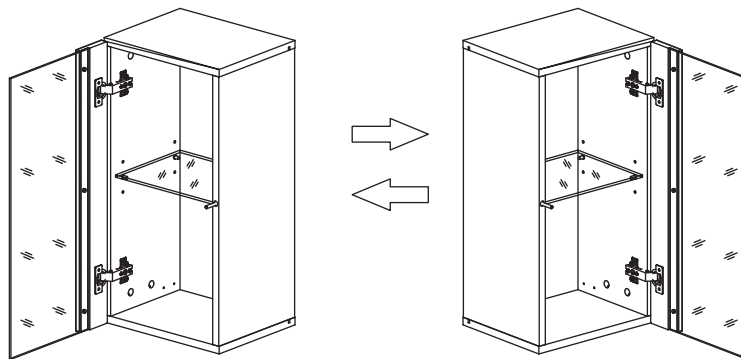
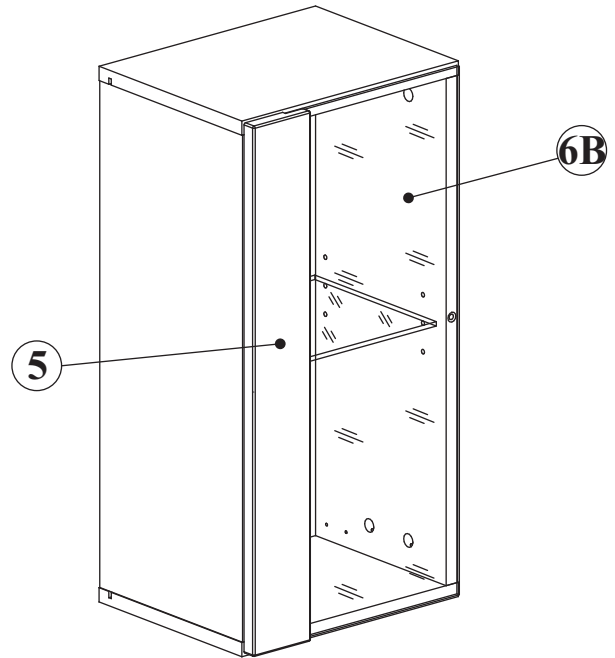
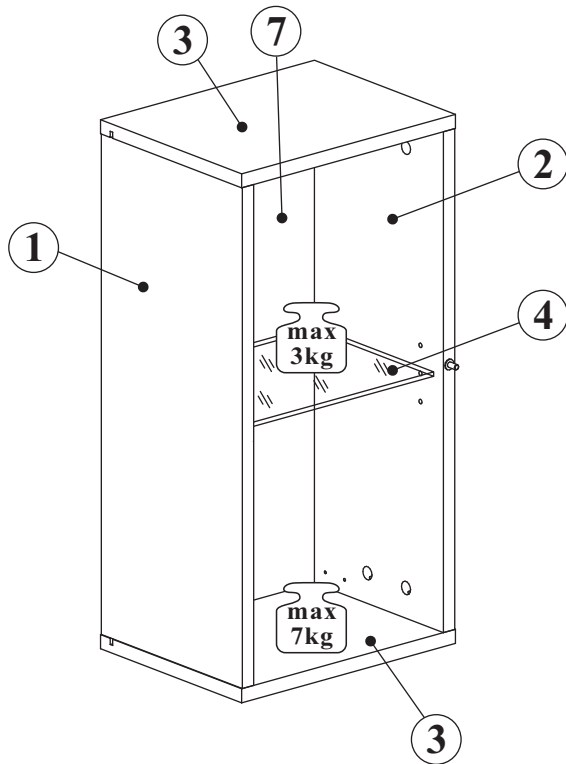
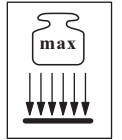


10





# SWITCH 27 -- SW WW 4

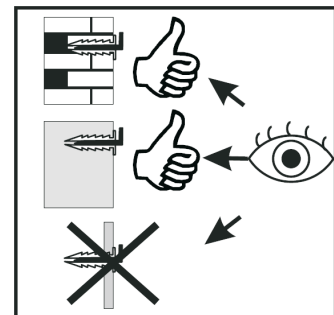
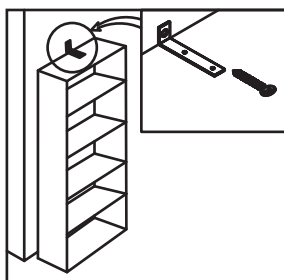
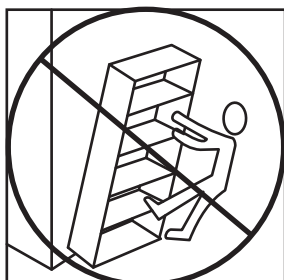
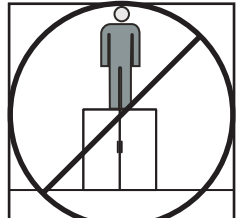
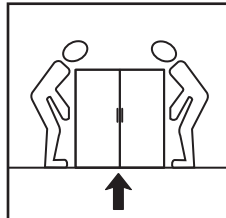
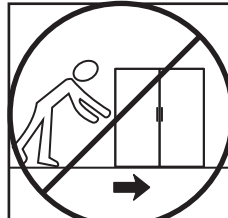
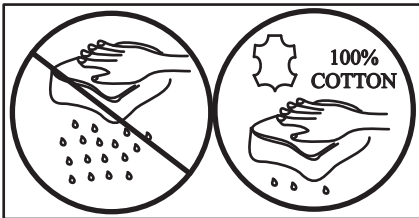
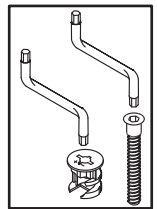
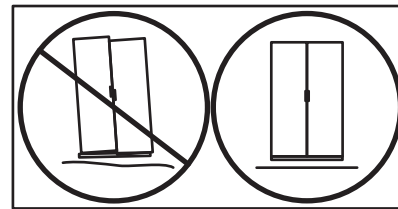
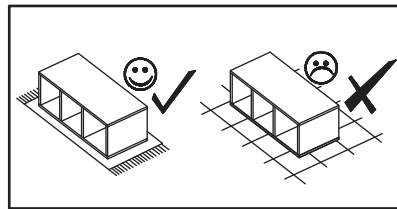
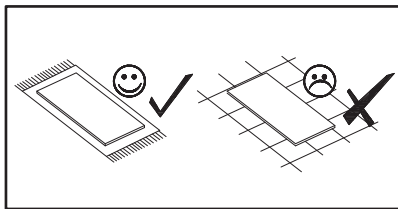
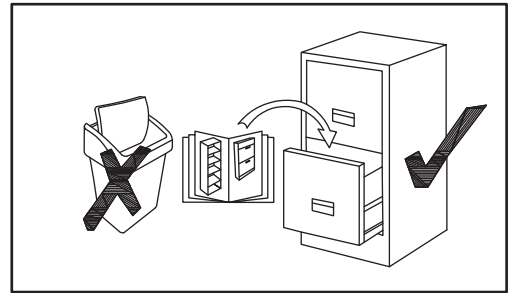
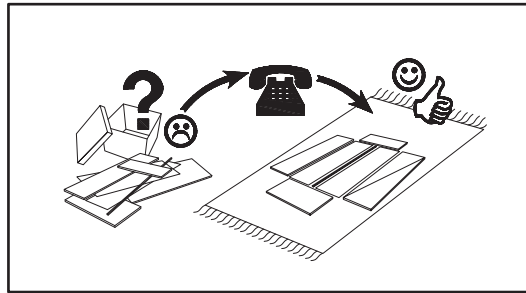
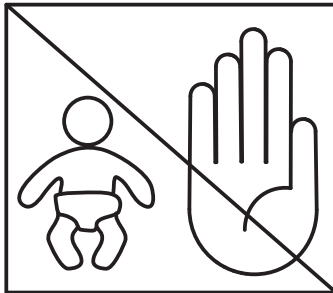
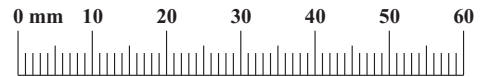


60 min

NO	Dim.			Col-No	Qty
1	570	234	16	1	1
2	570	234	16	1	1
3	302	234	16	1	2
4	266	199	5	1	1
7	582	280	3	1	1
5	80	596	16	1	1
6B	594	241	4	1	1

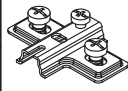
# SWITCH WW 4

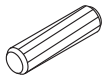
A1 x8 ø8x36	B4 x8	G5 x8	B5 x8 ø15x12	ZR1 x2	D6 x4 USØ3,5x30
E1 x2 Ø26 H=0	E2 x2 H=0	D10 x4 USØ3,5x13	OG x1	S1 x6	KR2 x2 Ø8
G20 x4	G2 x1	P2 x3	UP13 x3 UPØ3x16	LED x1	




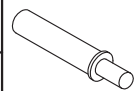
SWITCH WW 4

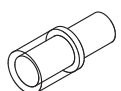
1

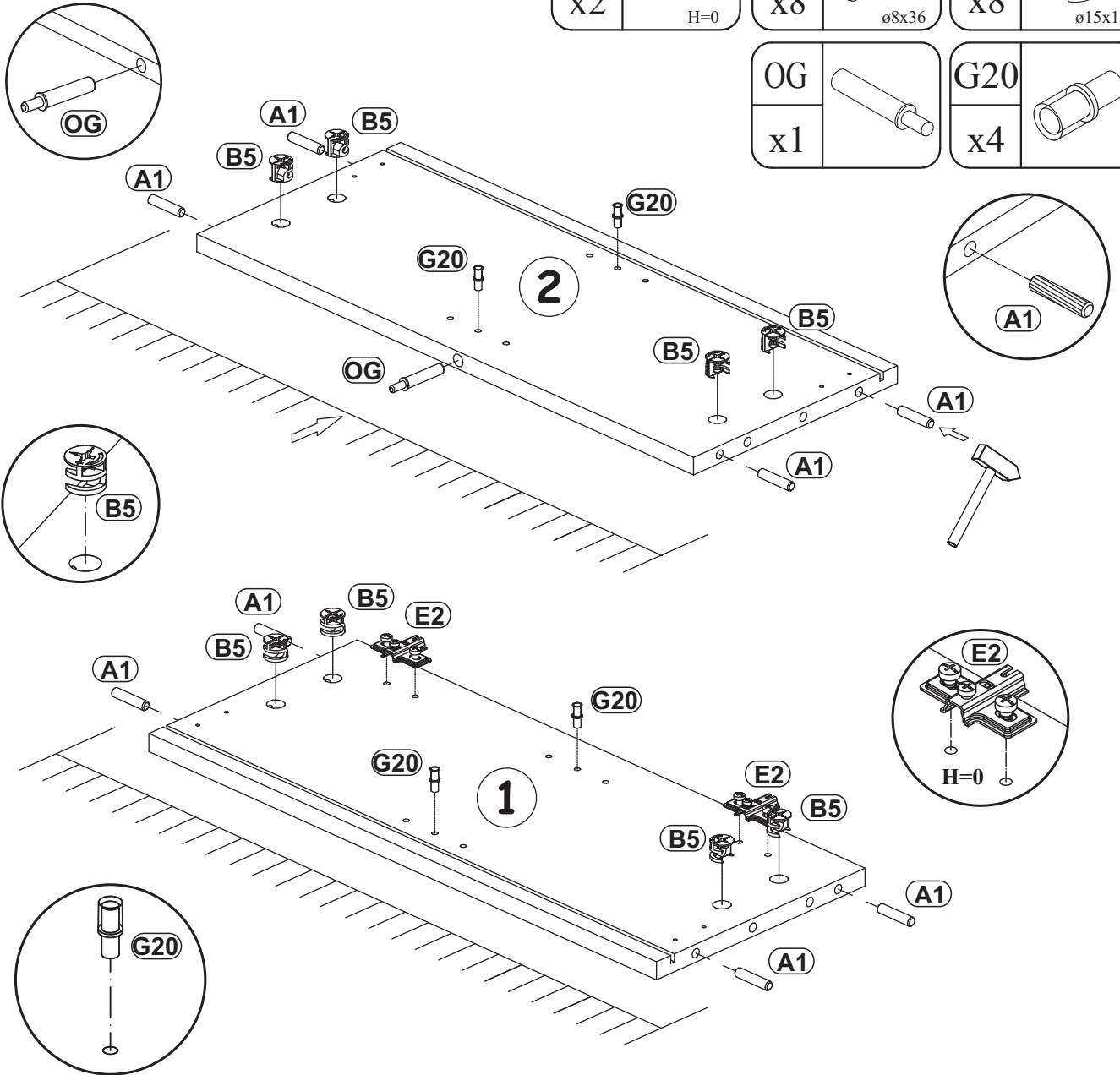
E2	
x2	H=0

A1	
x8	ø8x36

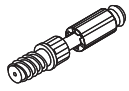
B5	
x8	ø15x12

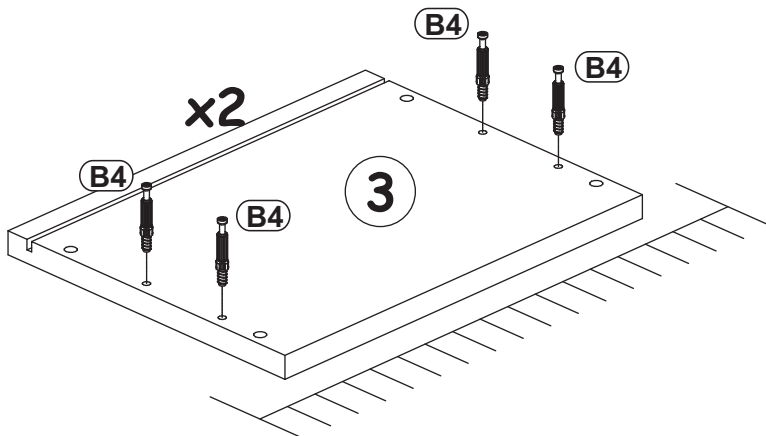
OG	
x1	

G20	
x4	



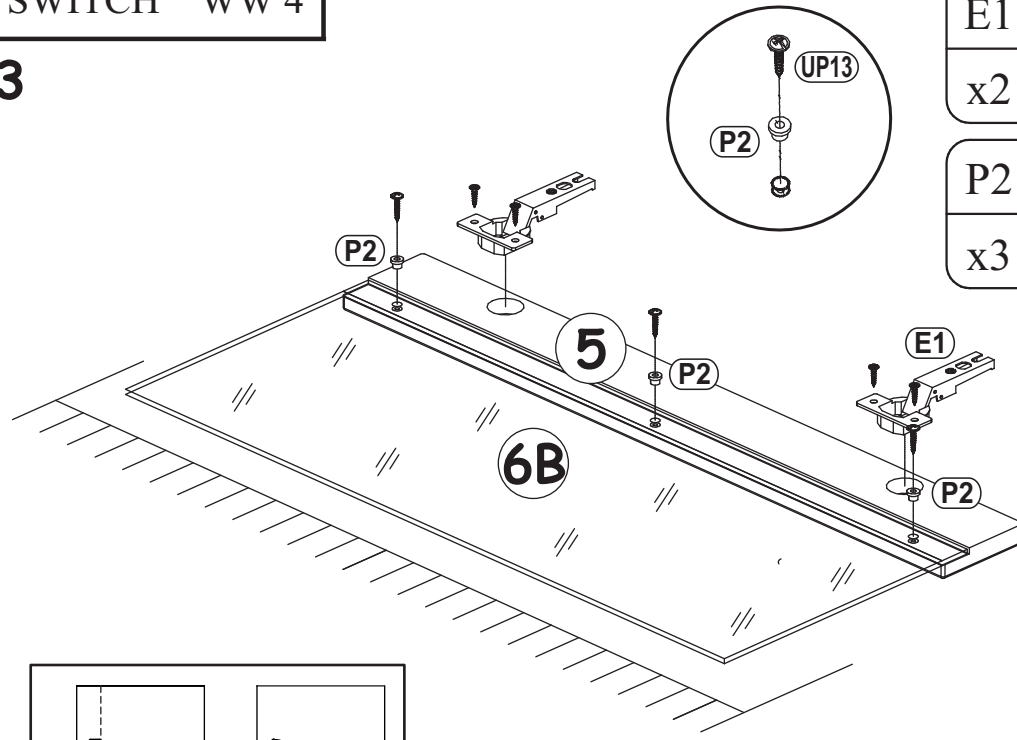
2

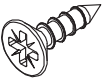
B4	
x8	


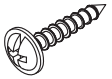


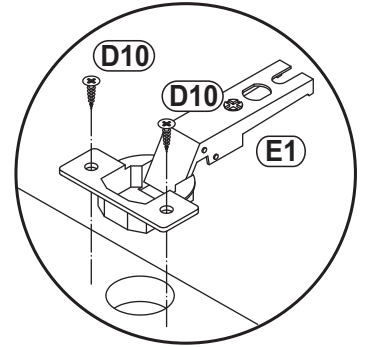
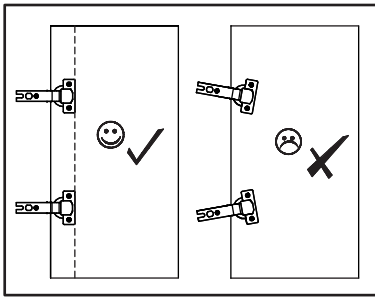
SWITCH WW 4

3

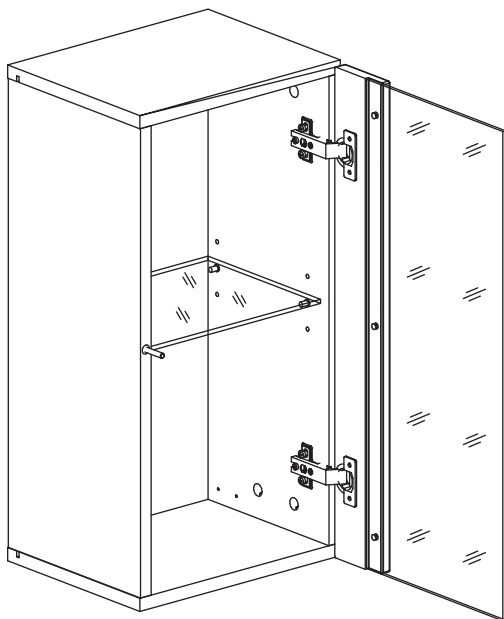


E1	Ø26	D10	
x2	H=0	x4	USØ3,5x13

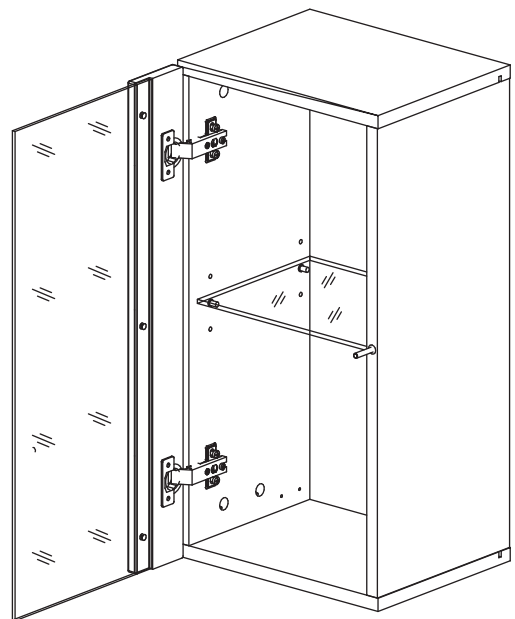
P2		UP13	
x3		x3	UPØ3x16



4 - 8

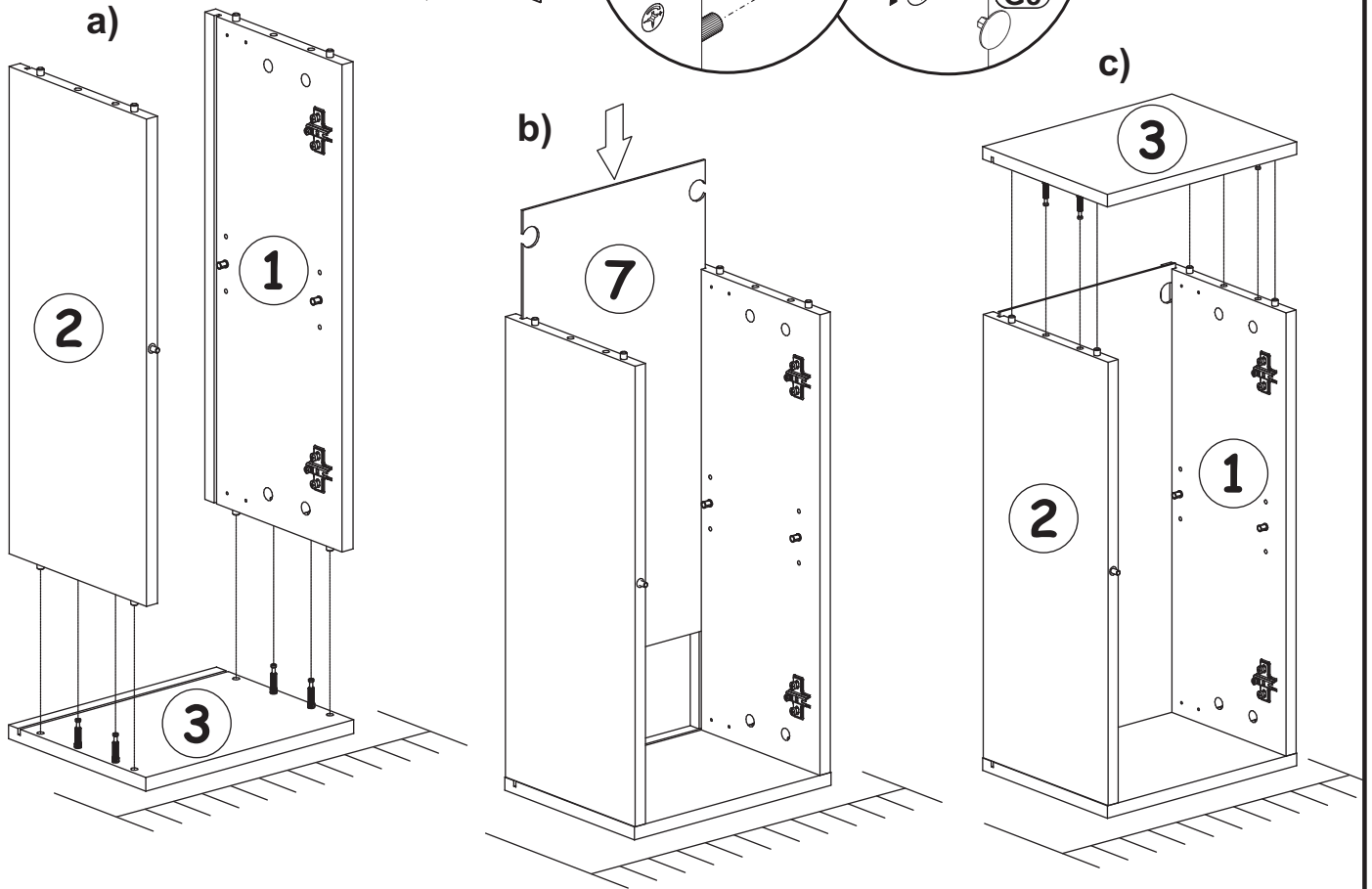


9 - 13

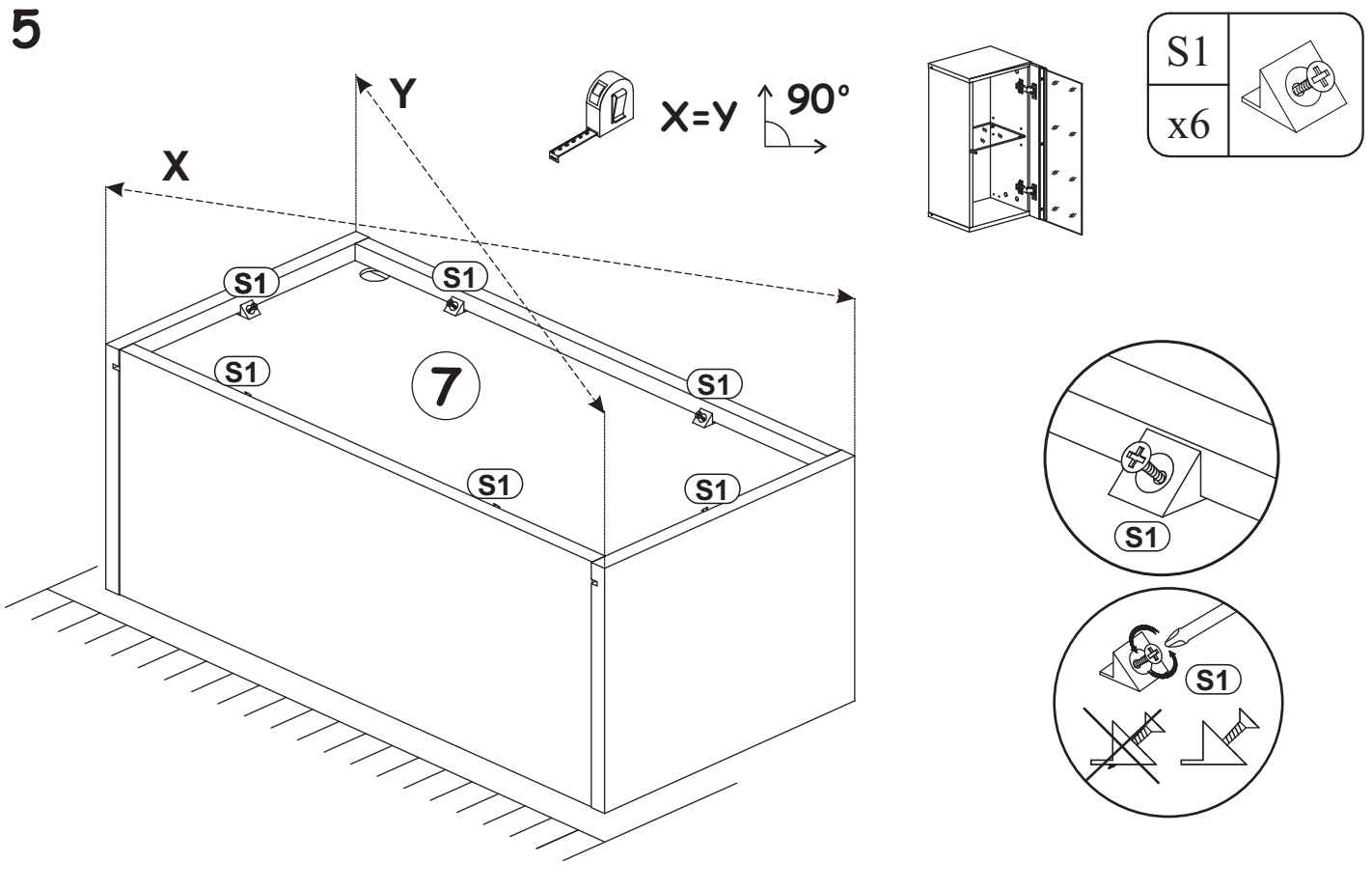


SWITCH WW 4

4

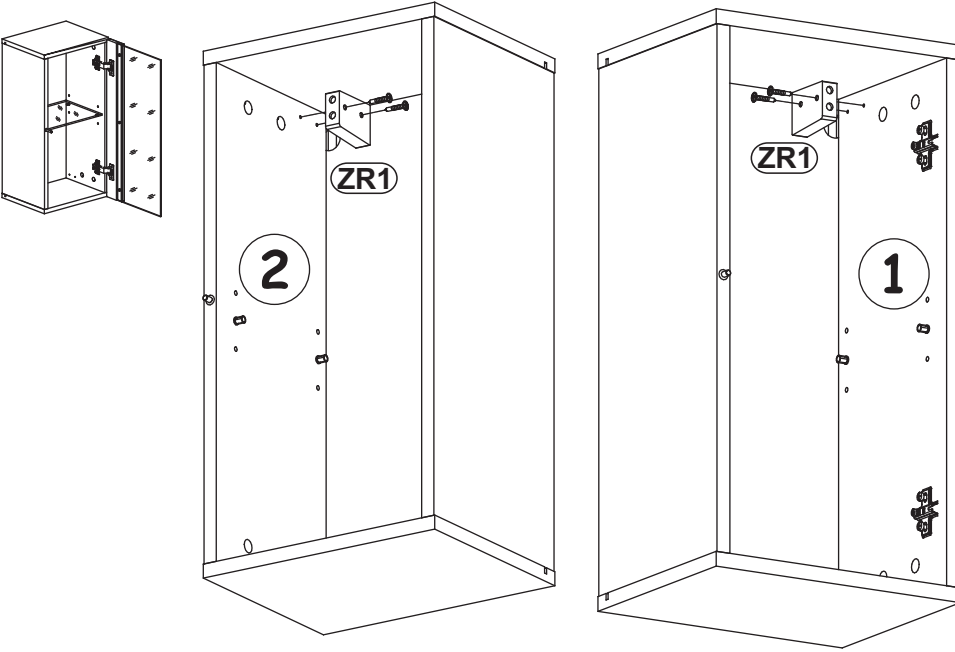


5

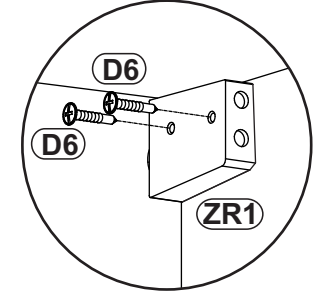
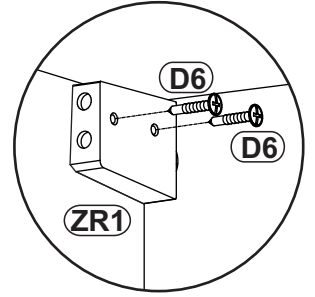


SWITCH WW 4

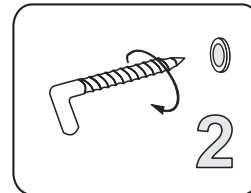
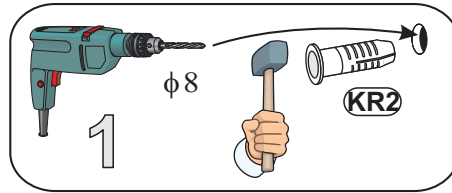
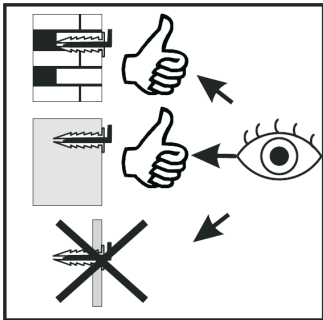
6



ZR1		D6	
x2		x4	US03,5x30

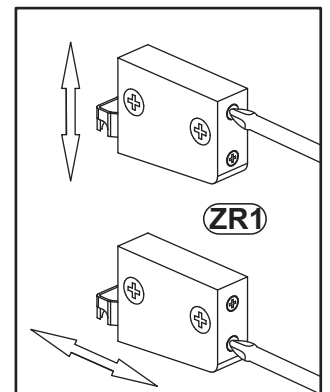
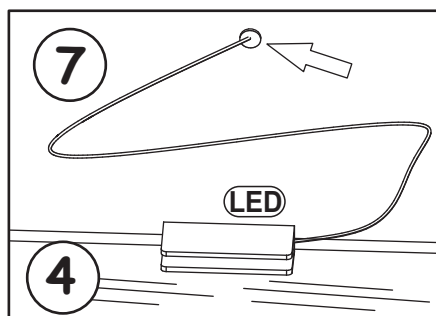
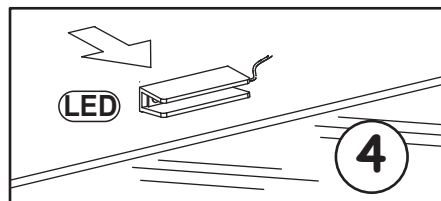
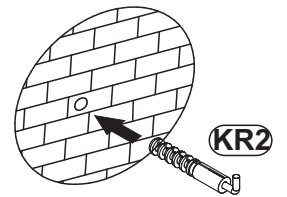
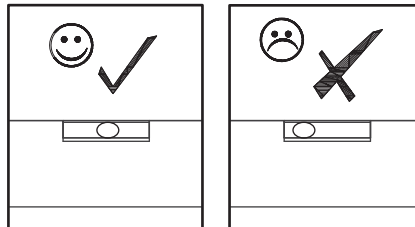
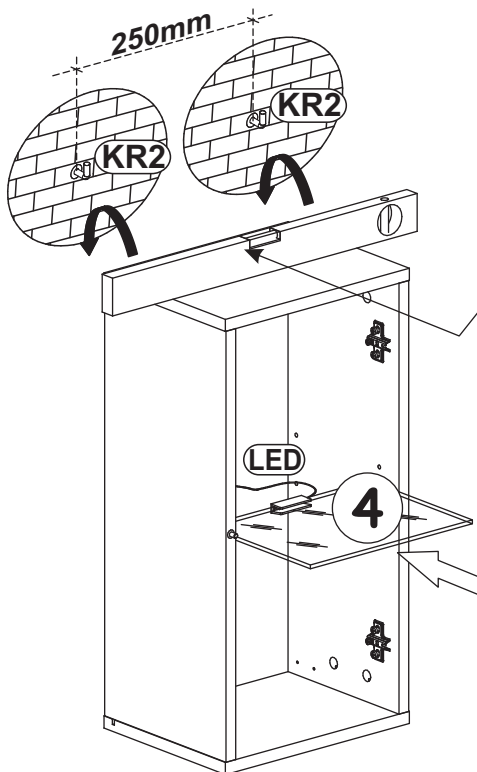


7

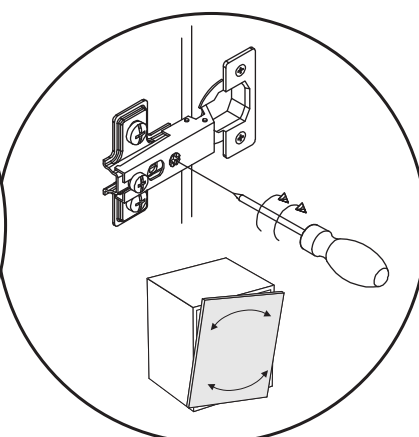
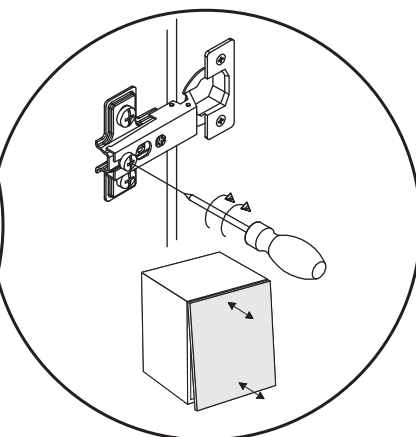
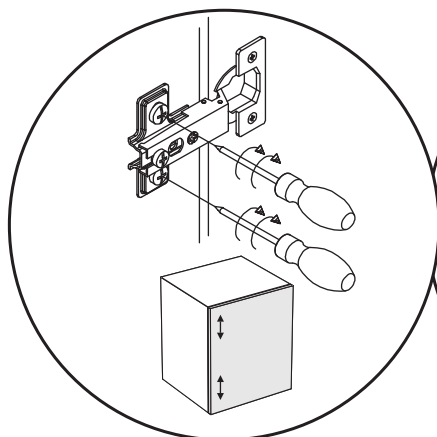
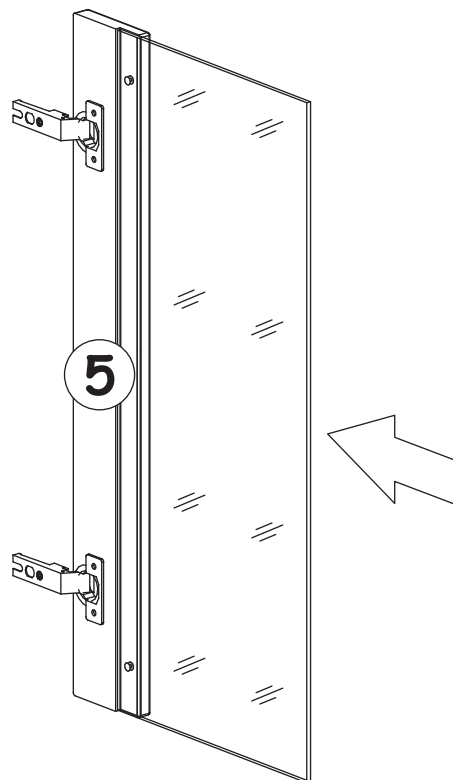
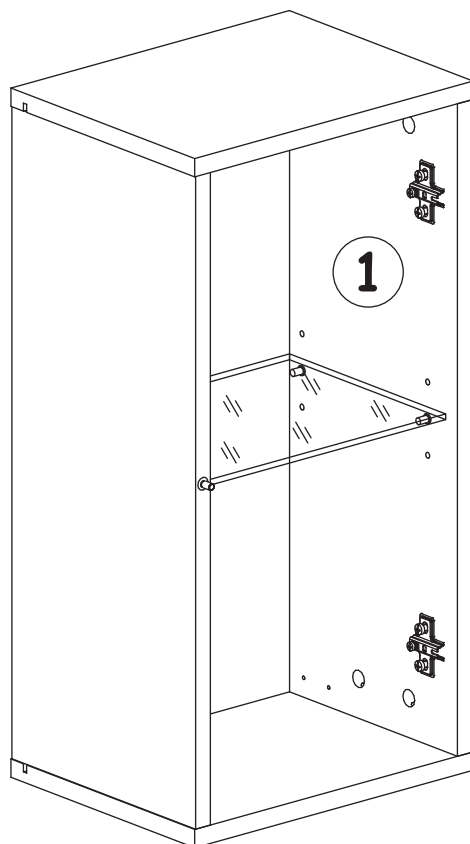
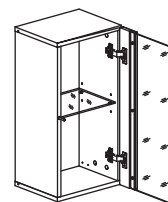


KR2	
x2	$\phi 8$

LED	
x1	

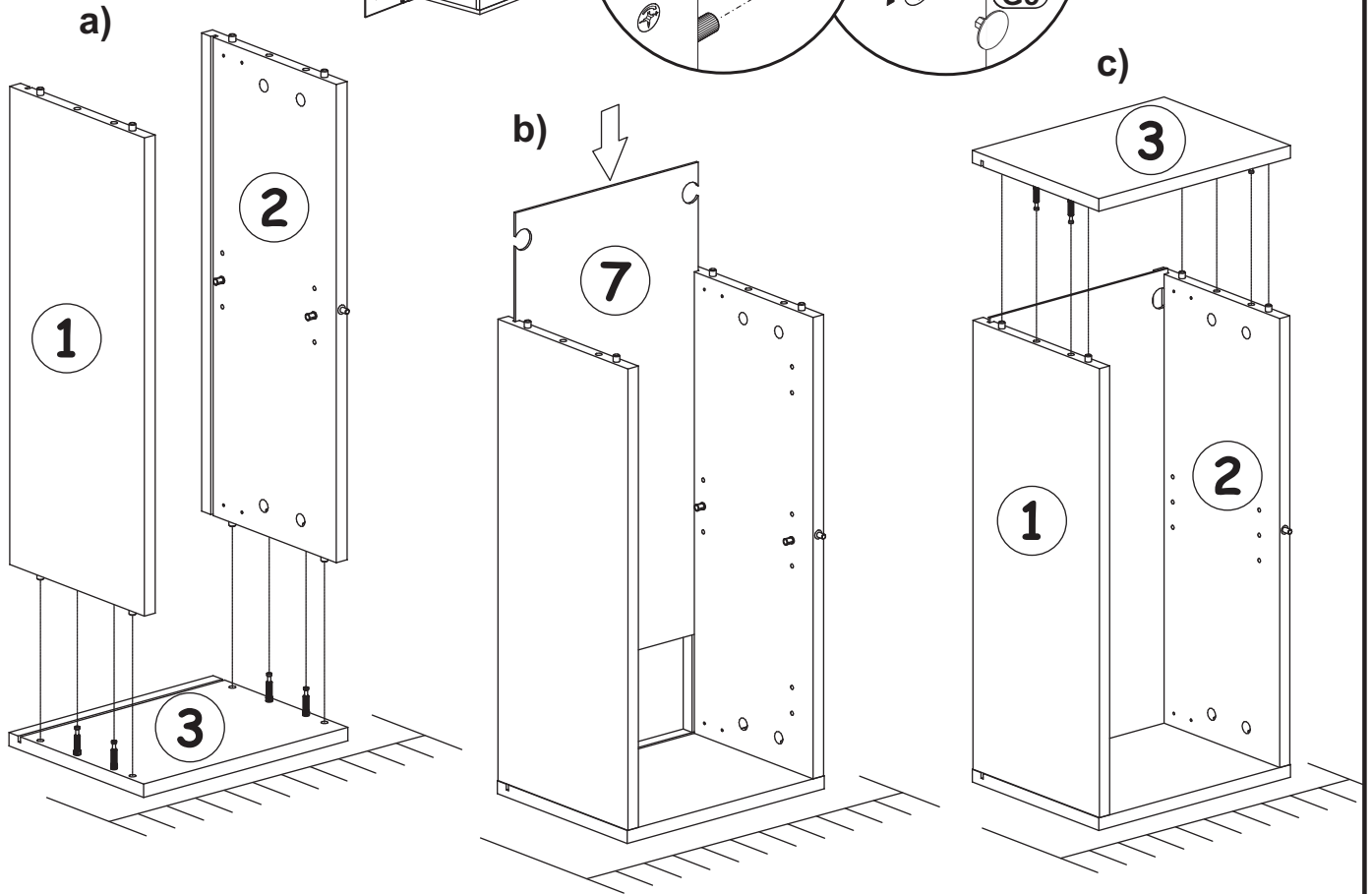


8

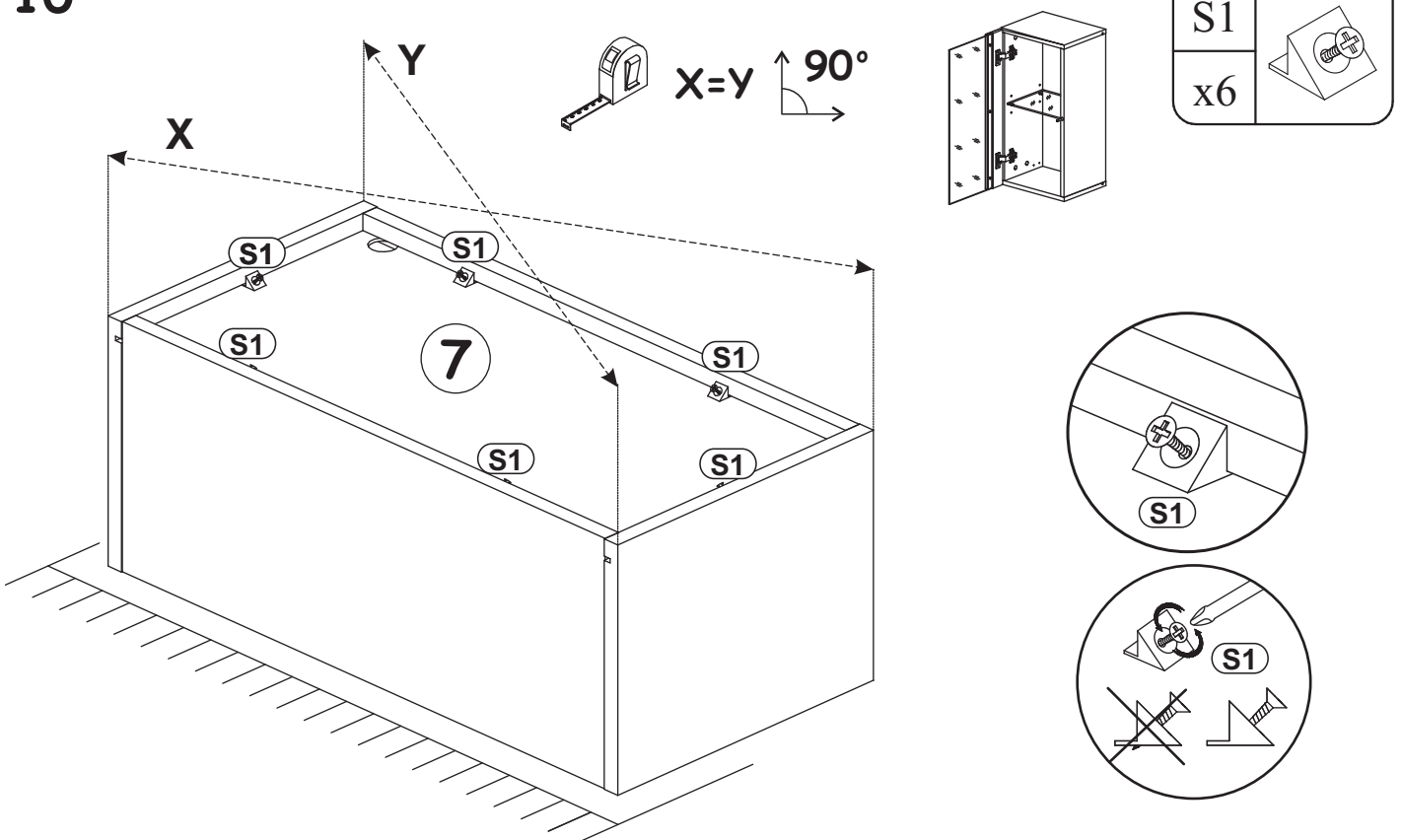


SWITCH WW 4

9



10

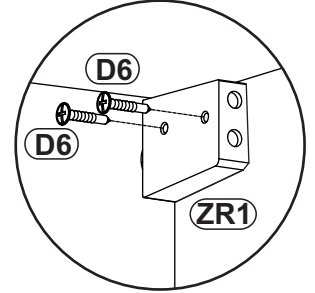
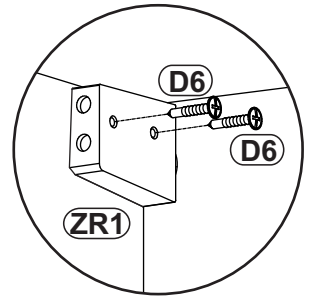
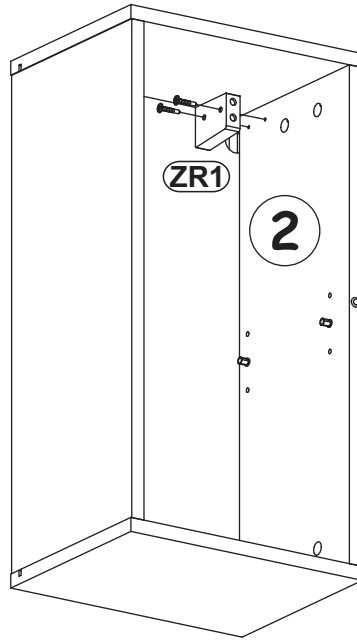
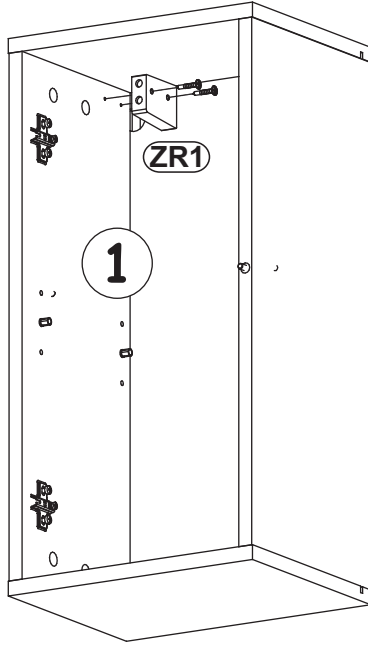
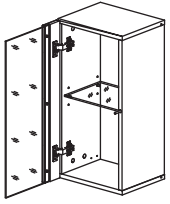




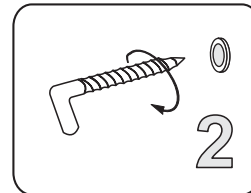
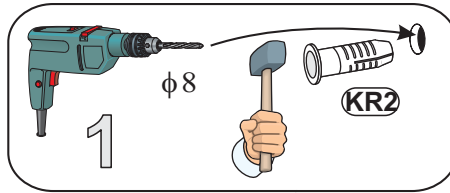
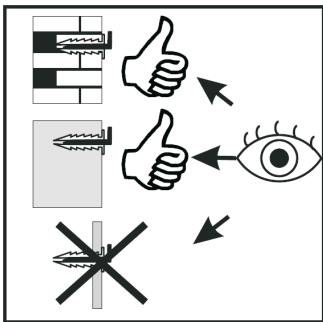
SWITCH WW 4

11

ZR1		D6	
x2		x4	US03,5x30

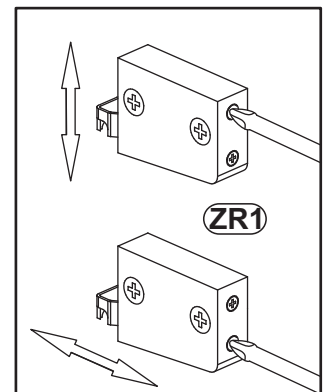
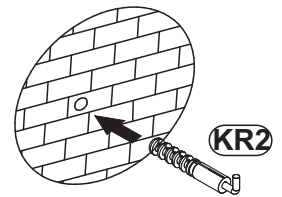
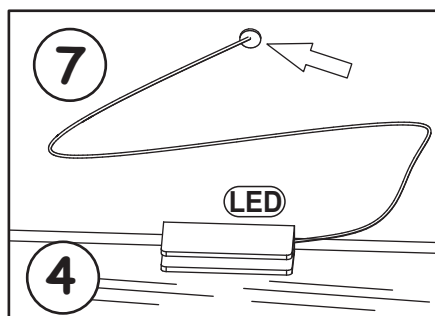
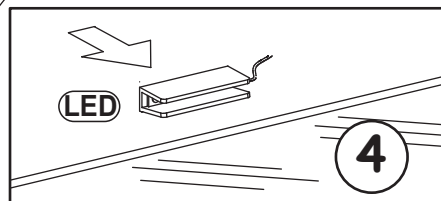
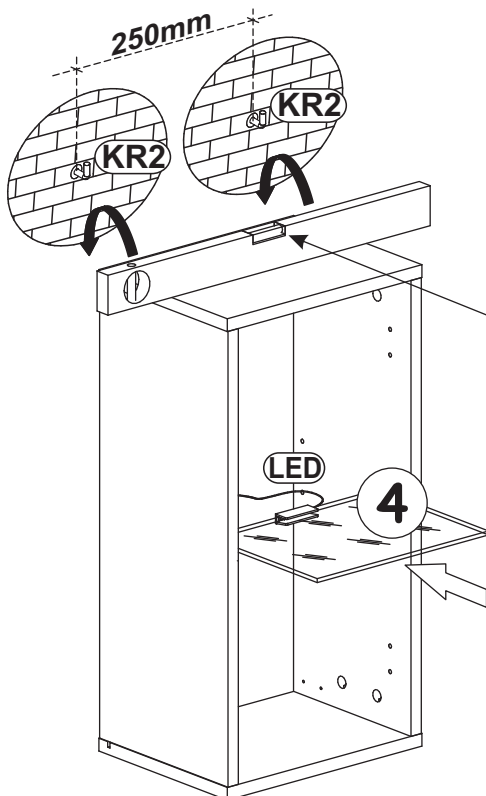
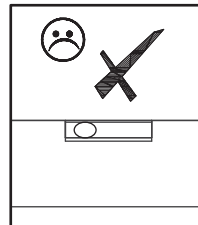
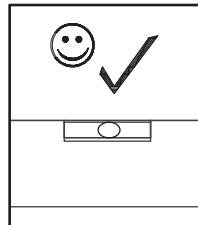


12

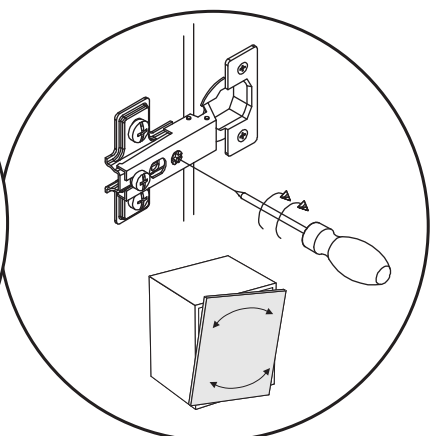
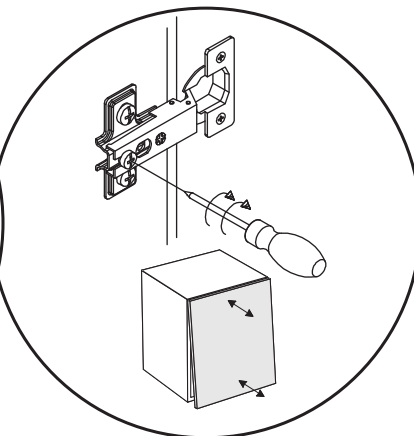
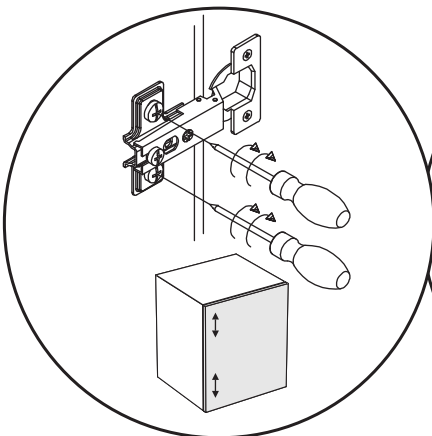
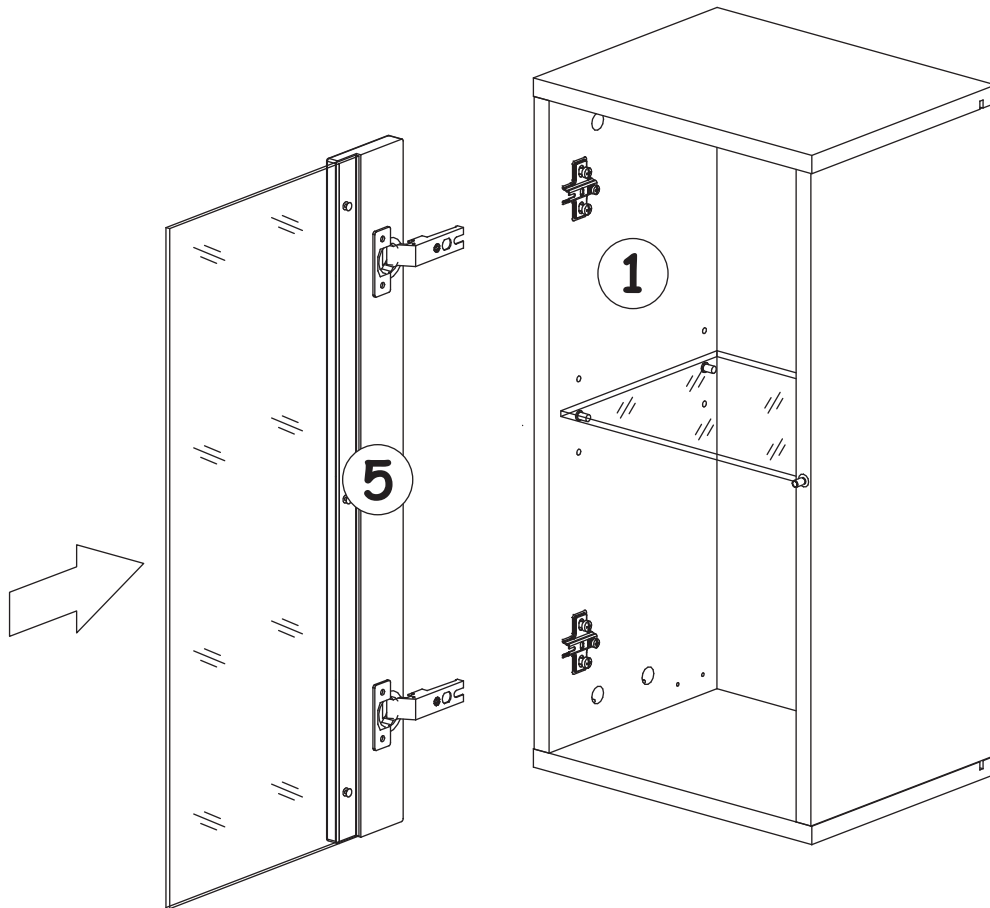
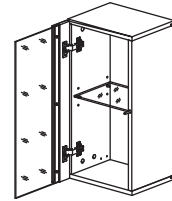


KR2	
x2	Ø8

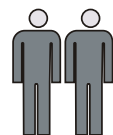
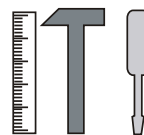
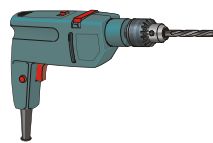
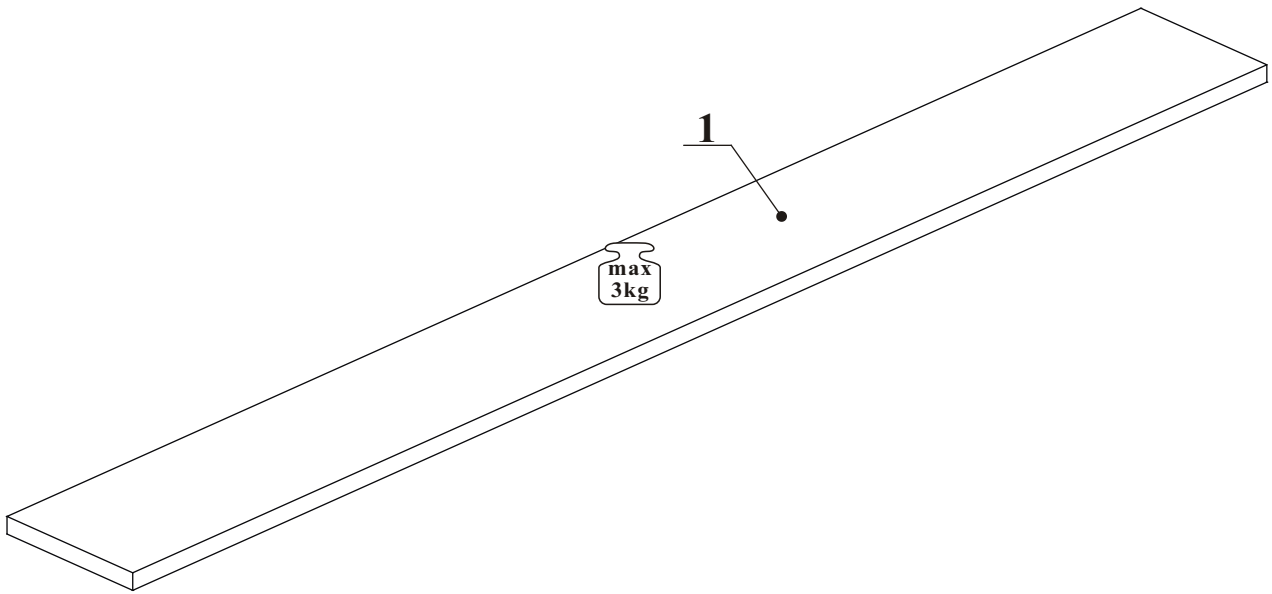
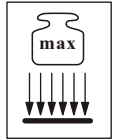
LED	
x1	



13



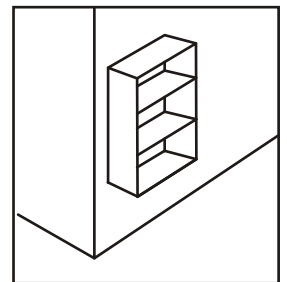
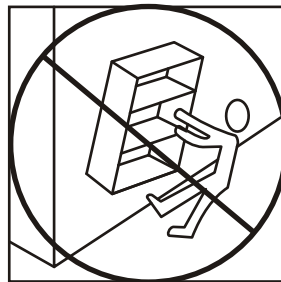
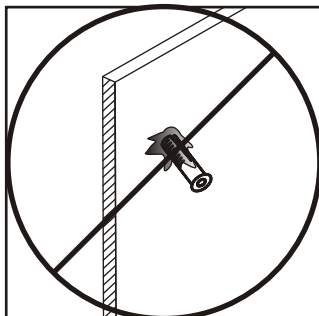
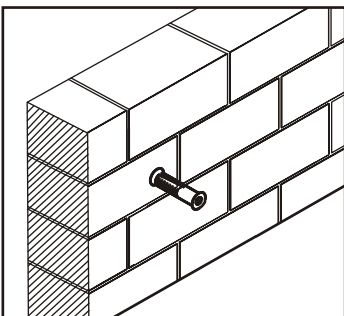
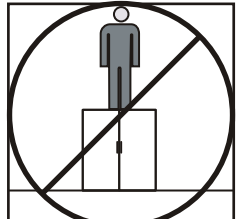
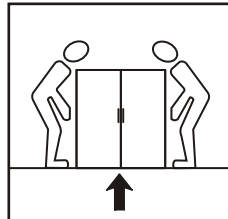
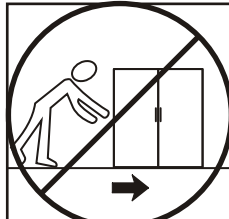
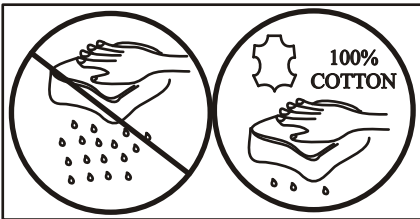
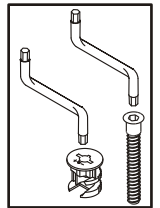
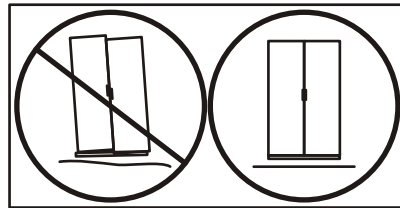
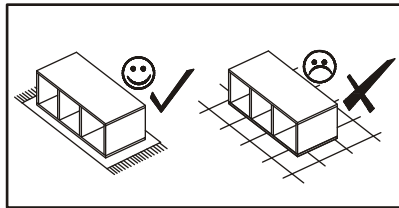
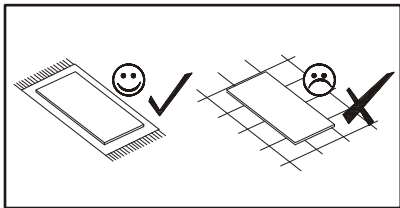
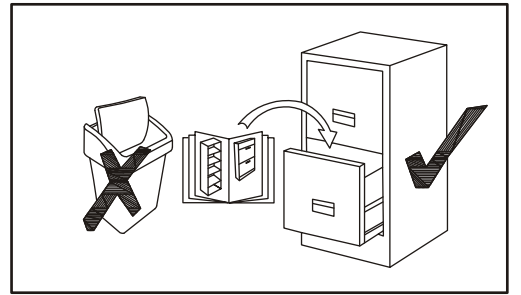
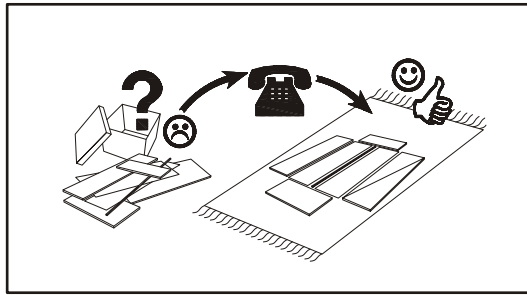
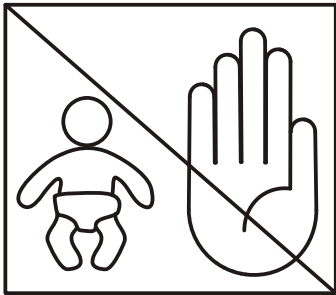
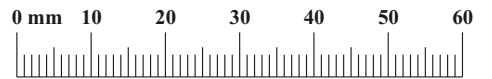
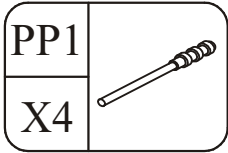
# SWITCH PW 1



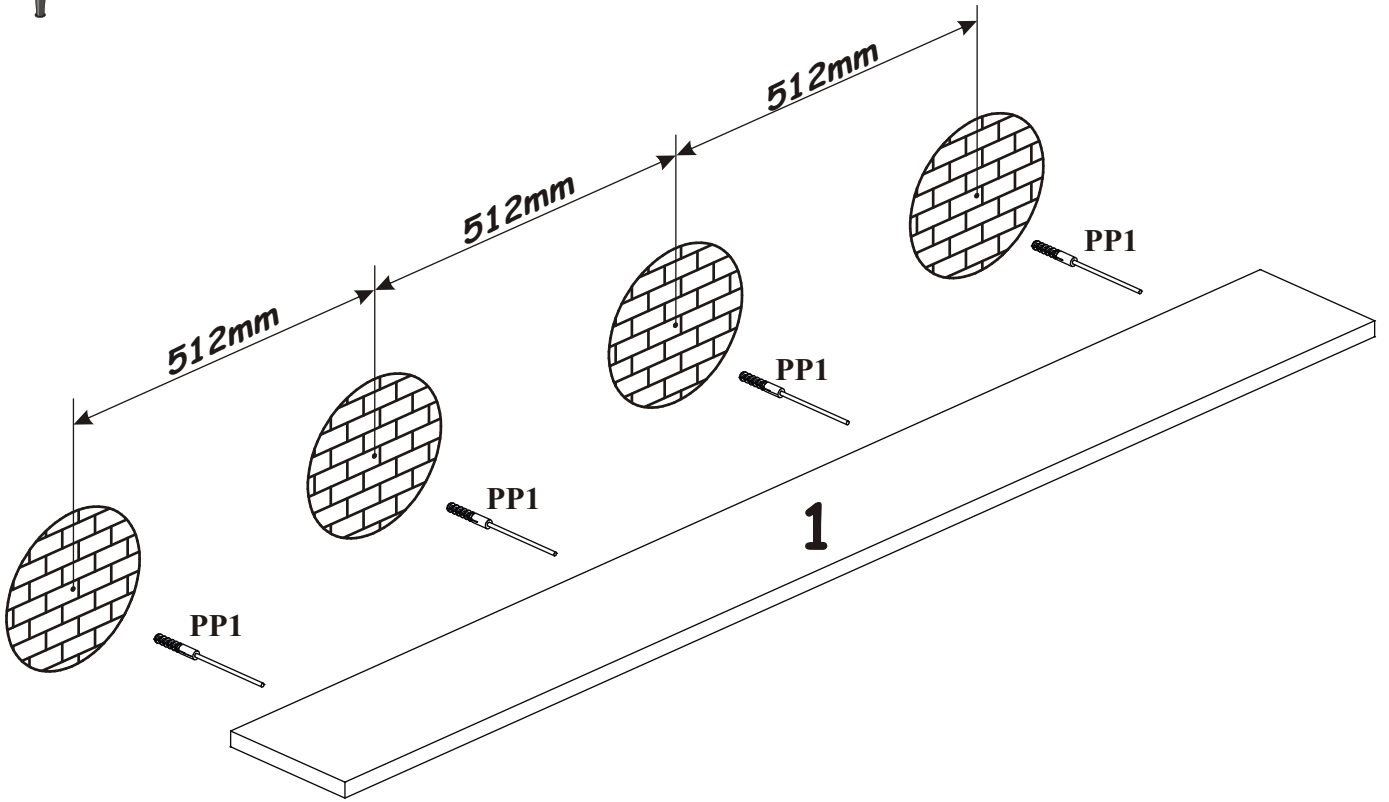
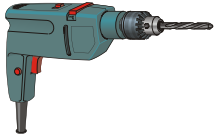
10 min

NO	Dim.	Col.-No	Qty
1	1802 200	1	1

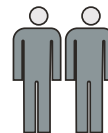
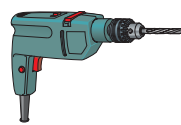
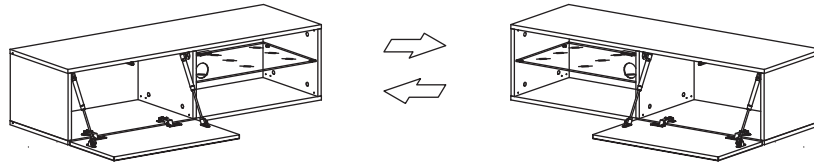
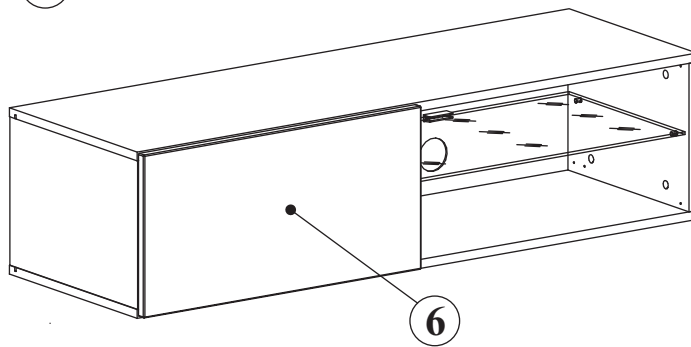
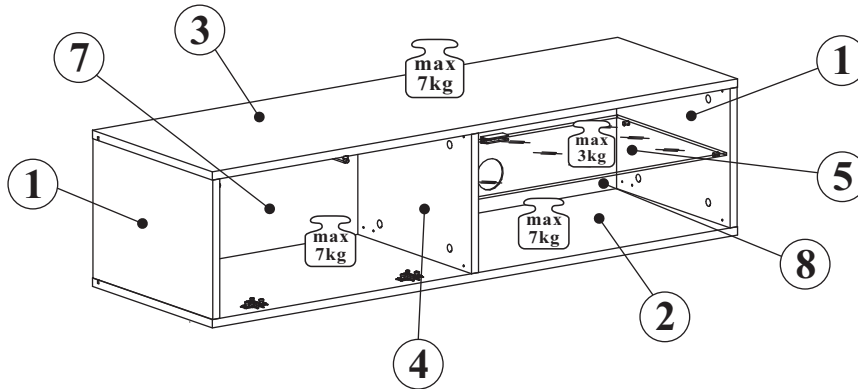
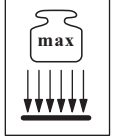
SWITCH PW 1



SWITCH PW 1



# SWITCH 27 -- SW RTV 4

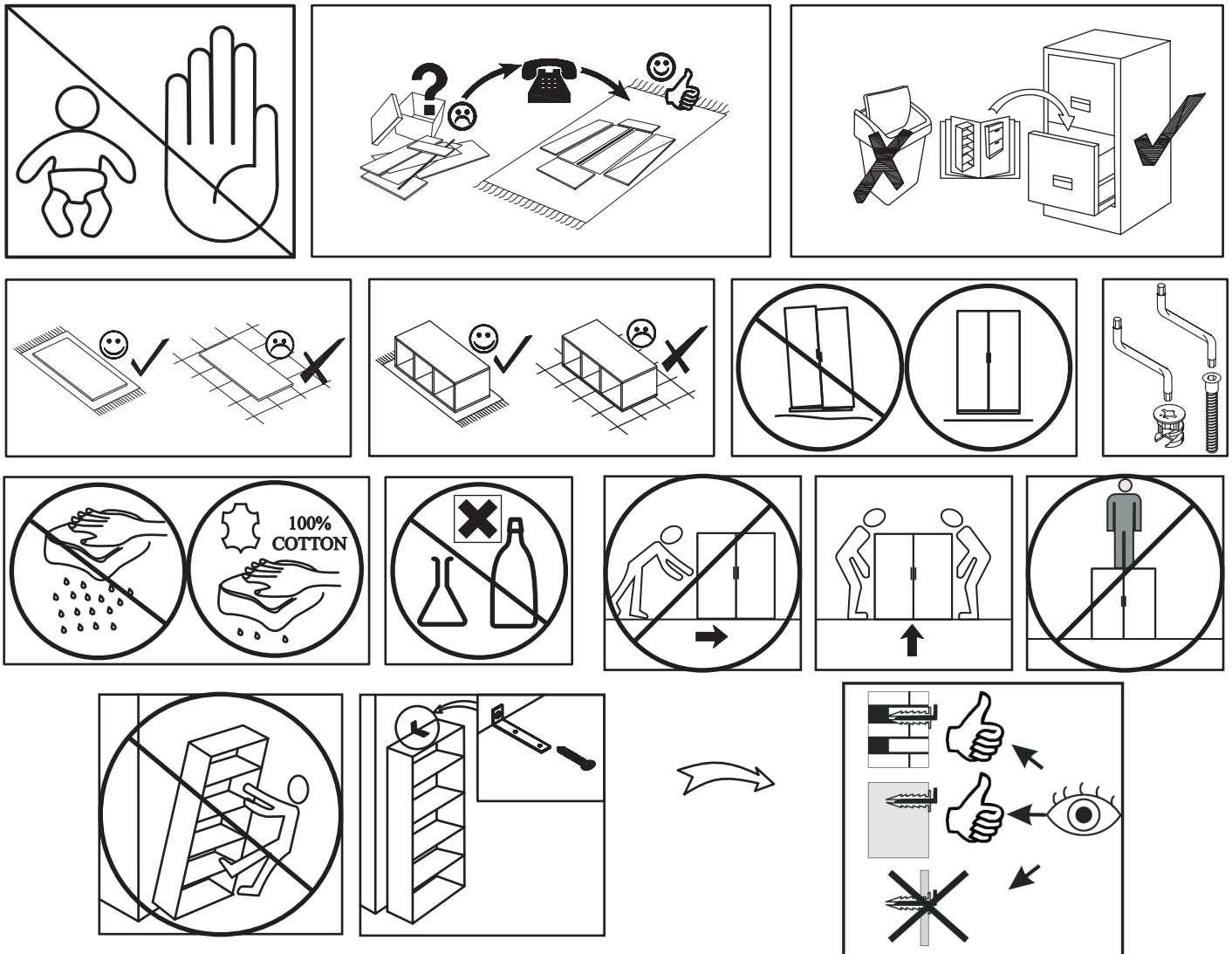
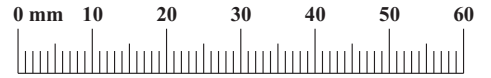


90 min

NO	Dim.			Col-No	Qty
1	268	384	16	1	2
2	1202	384	16	1	1
3	1202	384	16	1	1
4	268	364	16	1	1
6	596	294	16	1	1
5	574	349	5	1	1
7	589	280	3	1	1
8	589	280	3	1	1

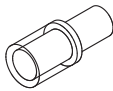
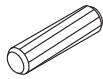


# SWITCH RTV 4

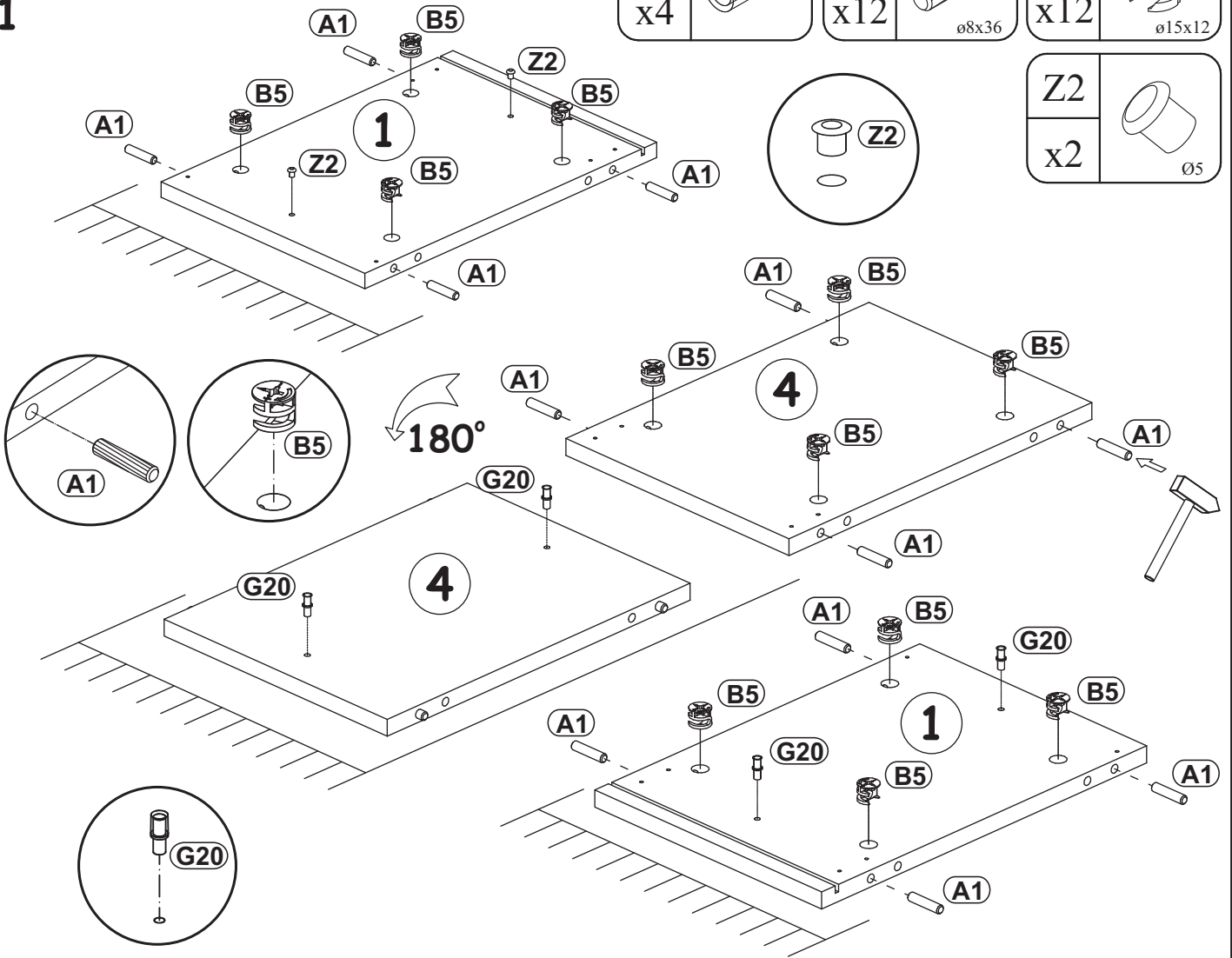
A1 x12 ø8x36	B4 x12	G5 x12	B5 x12 ø15x12	ZR1 x3	D6 x6 USØ3,5x30
E1 x2 Ø26 H=0	E2 x2 H=0	D10 x16 USØ3,5x13	T1 x1	S1 x10	B01 x2
KR2 x3 ø8	G2 x1	LED x1 x1	G20 x4	UP13 x2 UPØ3x16	G16 x2
Z2 x6 Ø5					




SWITCH RTV 4

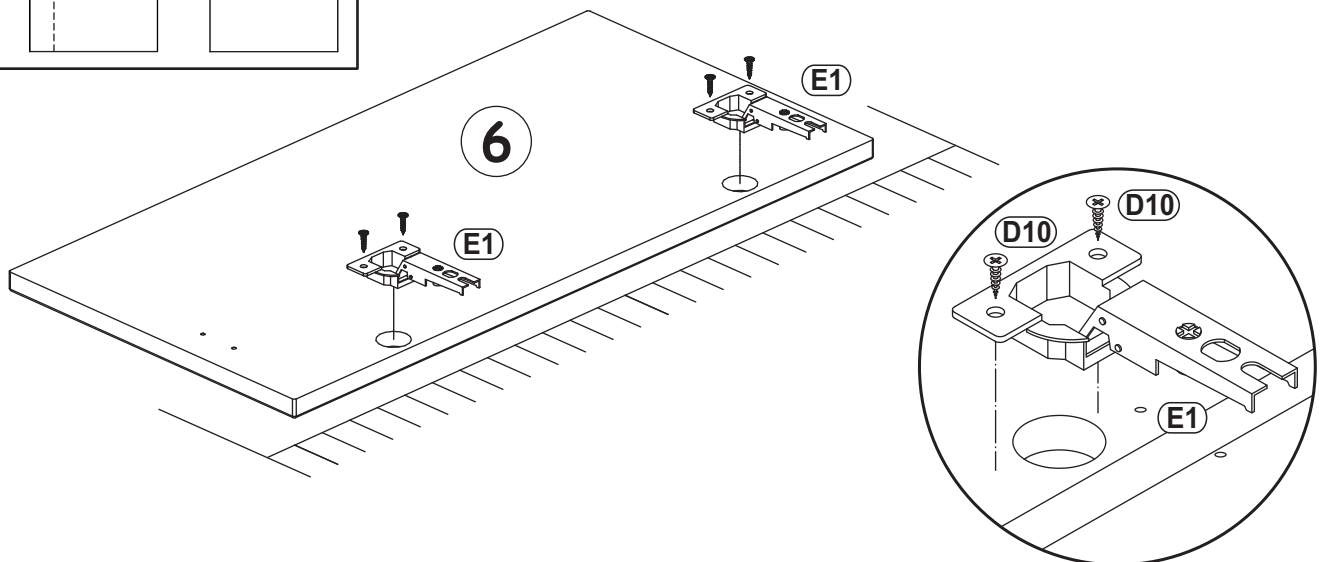
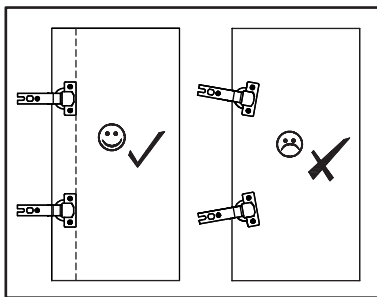
1

G20		A1		B5	
x4		x12	ø8x36	x12	ø15x12
			Z2		
			x2	Ø5	



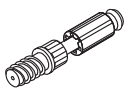
2

E1	Ø26	D10	
x2	H=0	x4	USØ3,5x13

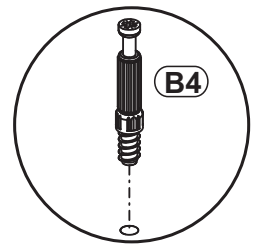
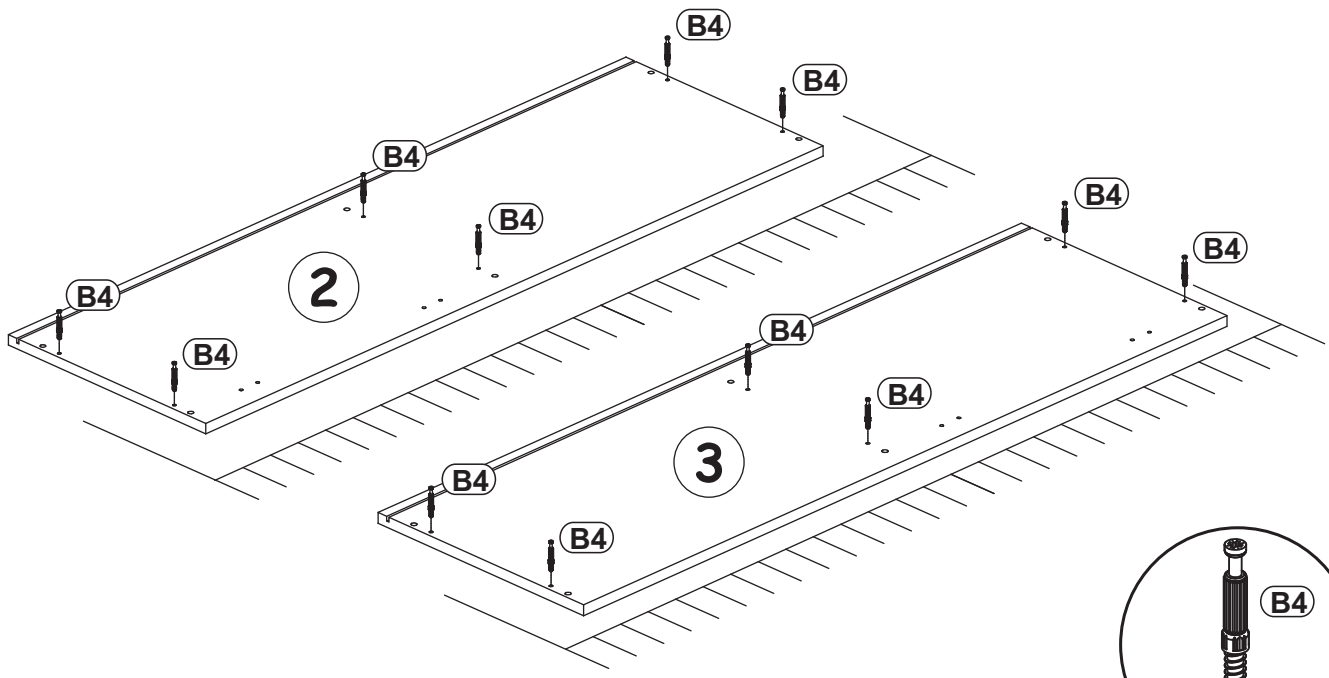





SWITCH RTV 4

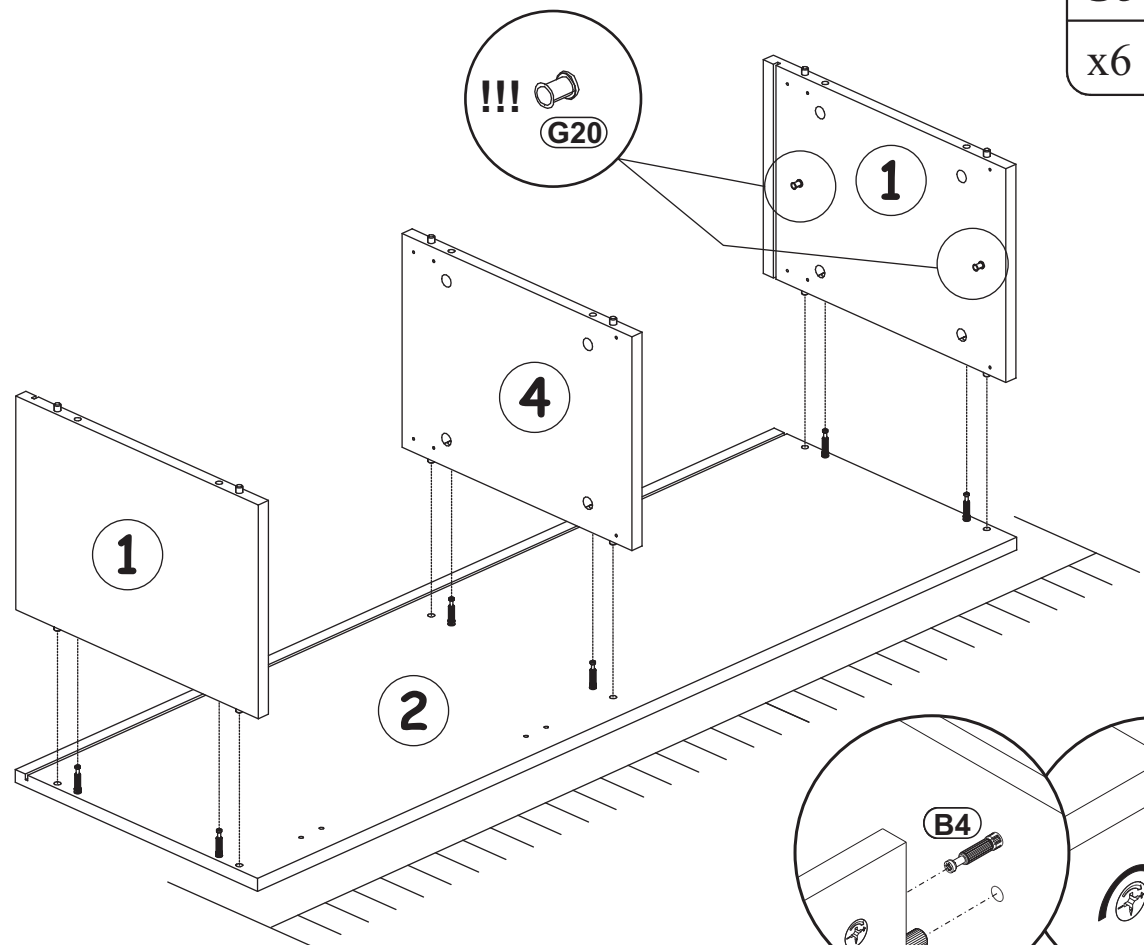
B4	
x12	

3

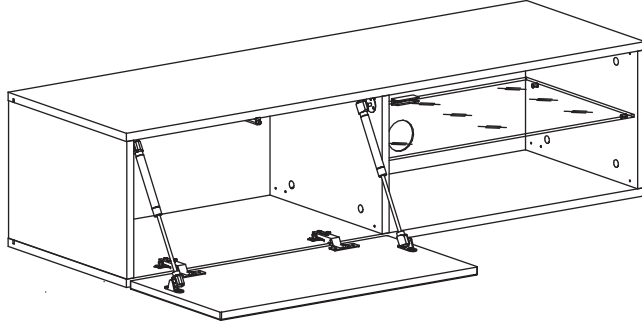


4

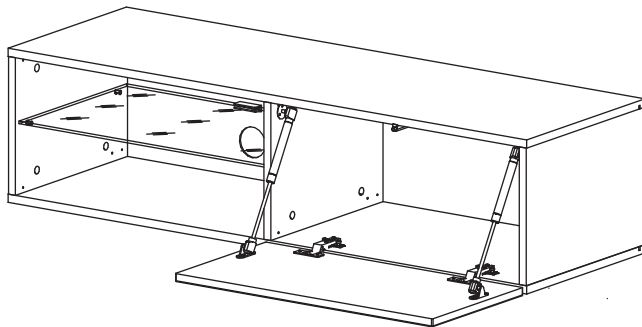
G5	
x6	



**5 - 11**

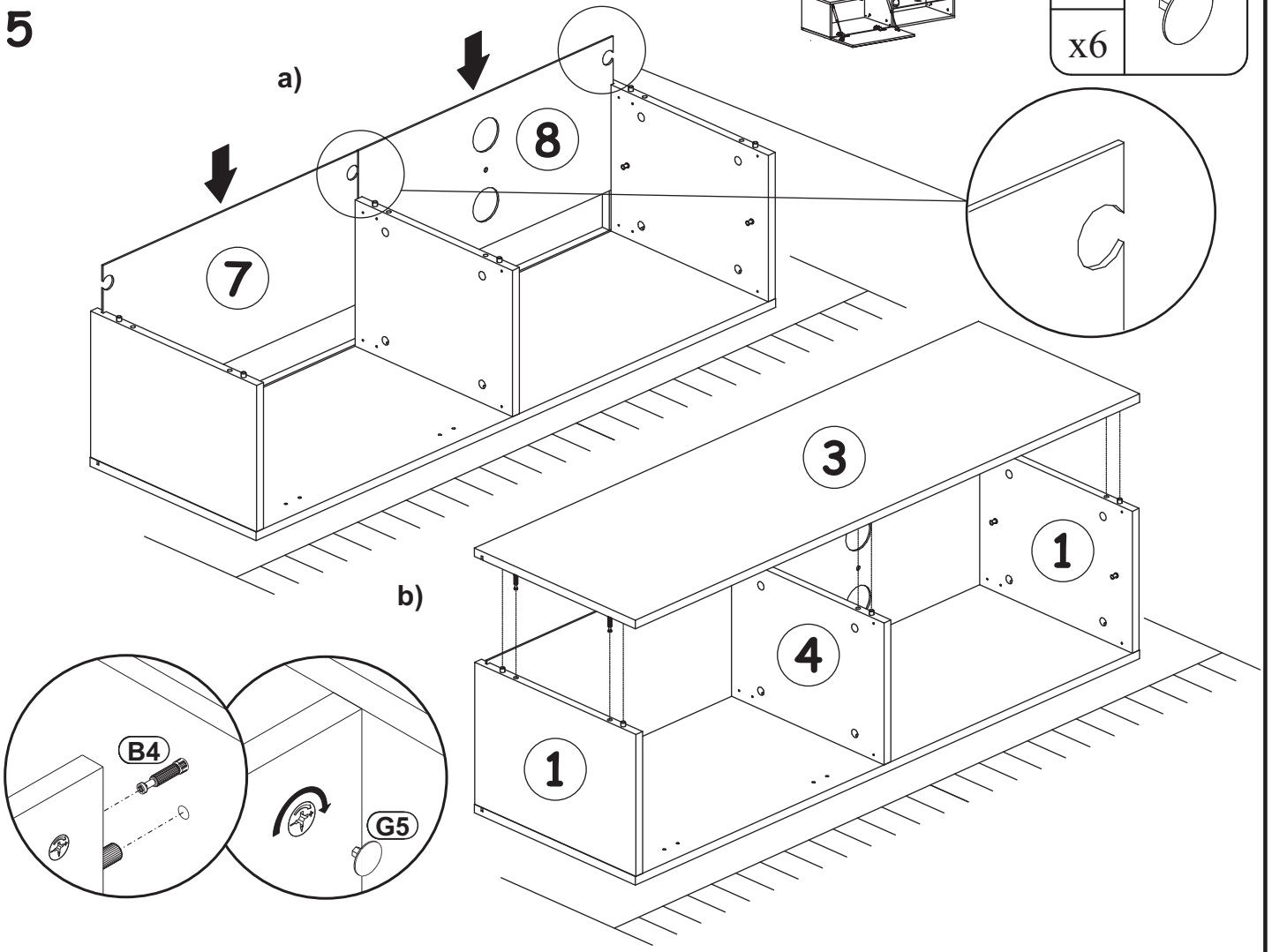


**12 - 18**

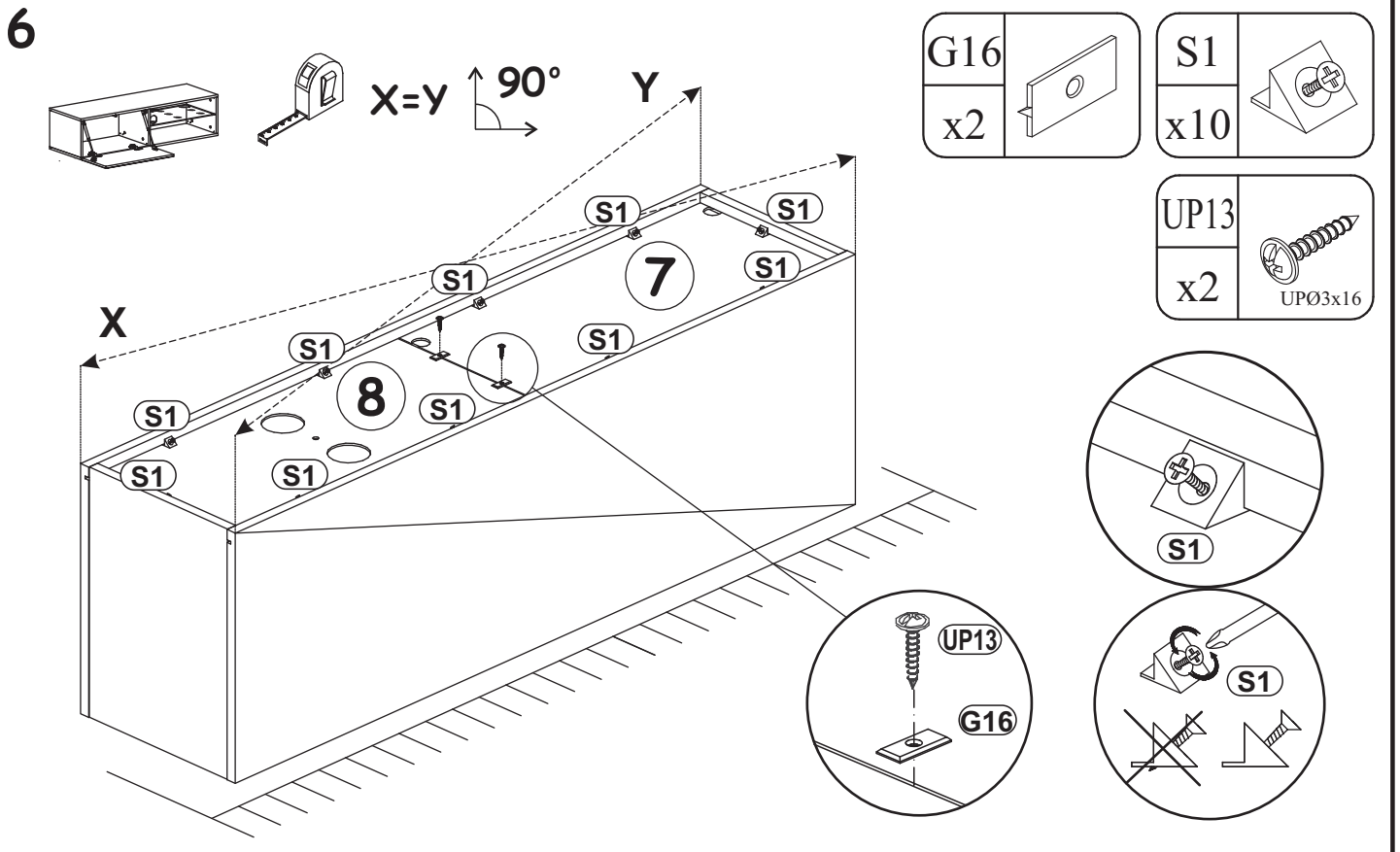


SWITCH RTV 4

5

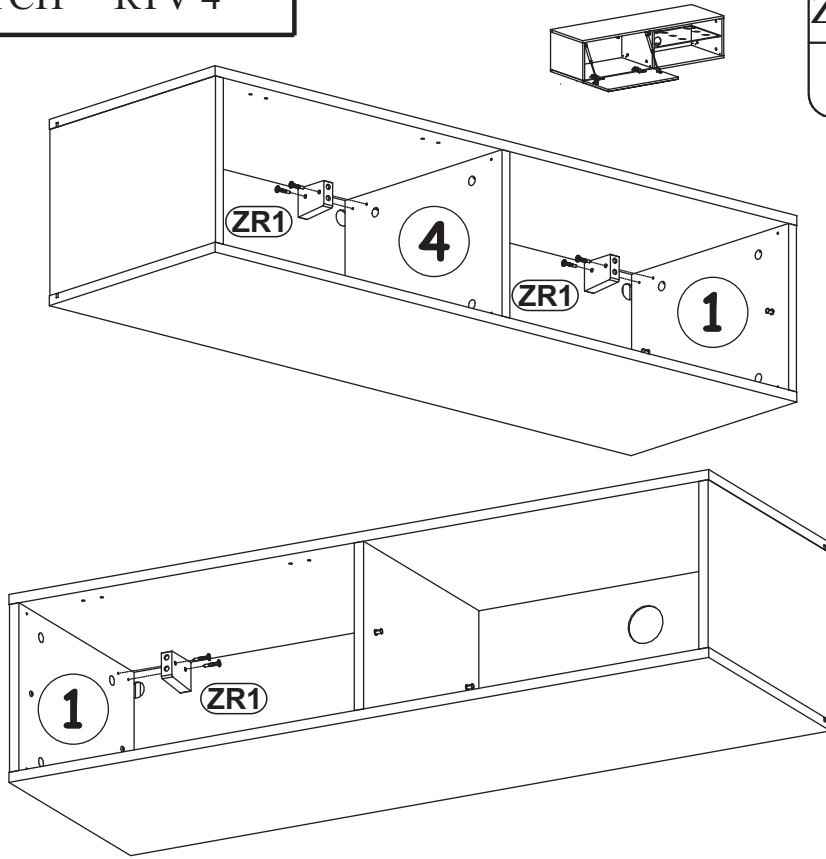


6

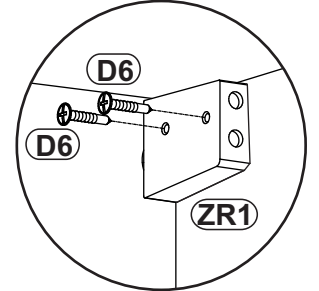
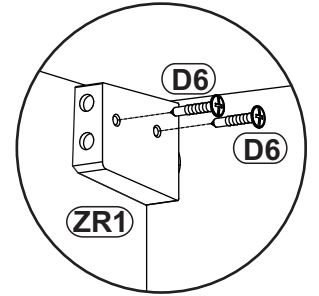


SWITCH RTV 4

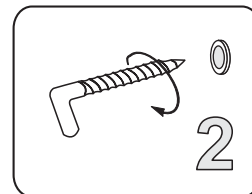
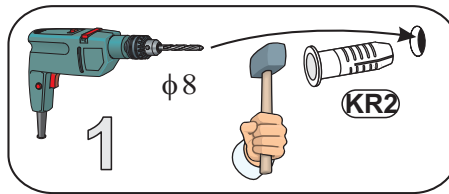
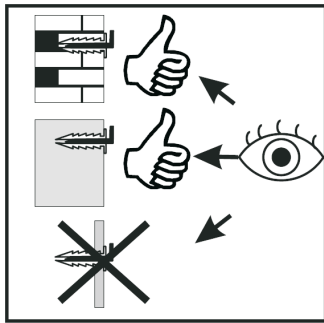
7



ZR1		D6	
x3		x6	US03,5x30

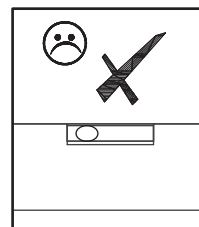
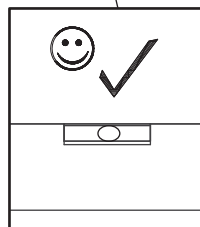
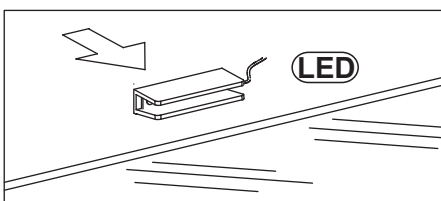
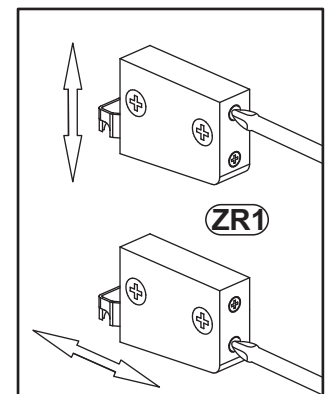
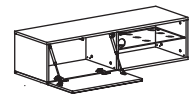
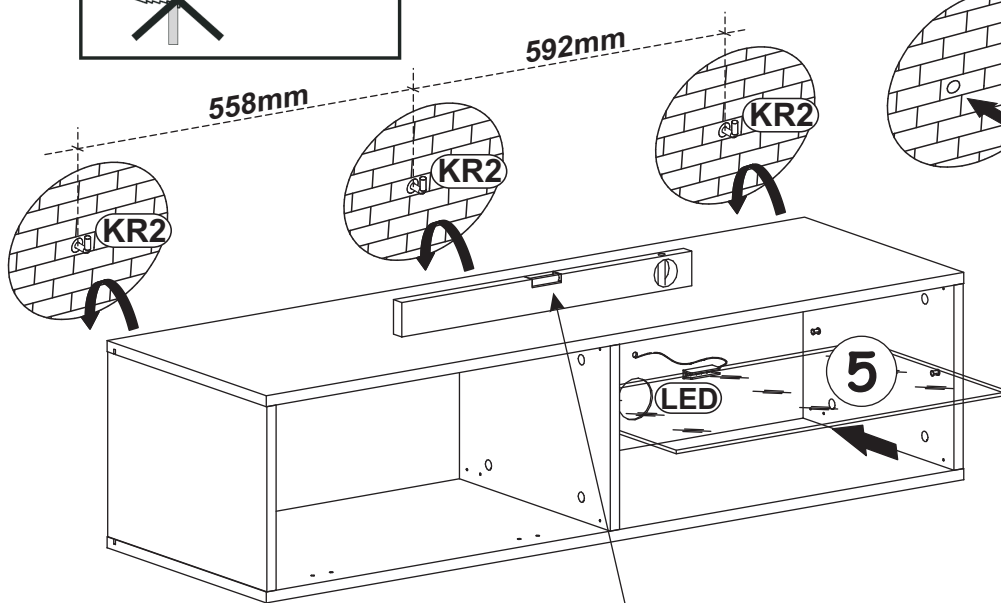


8



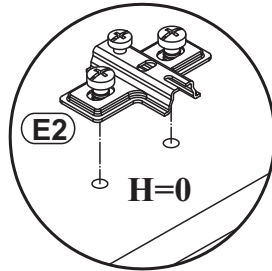
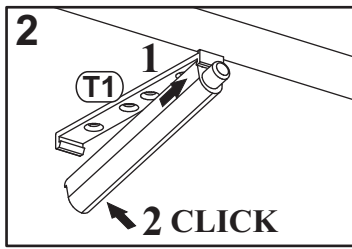
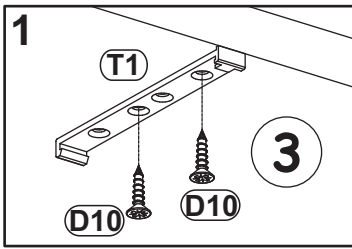
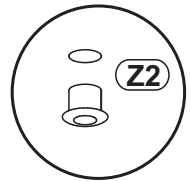
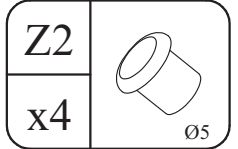
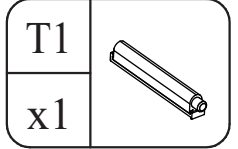
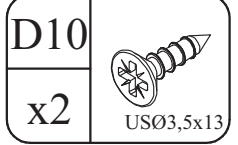
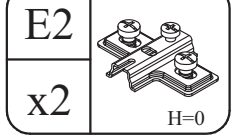
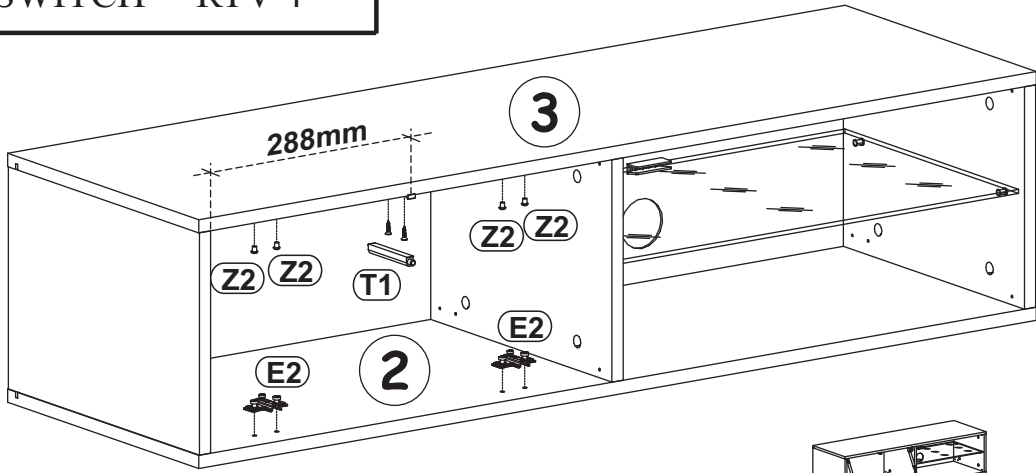
KR2	
x3	Ø8

LED	
x1	X1

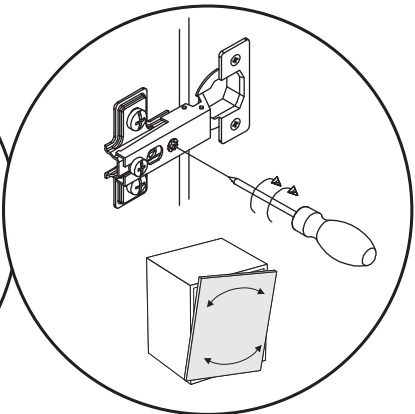
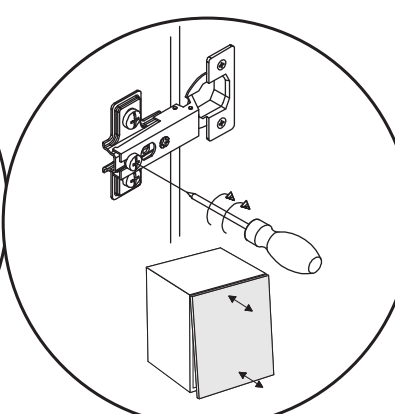
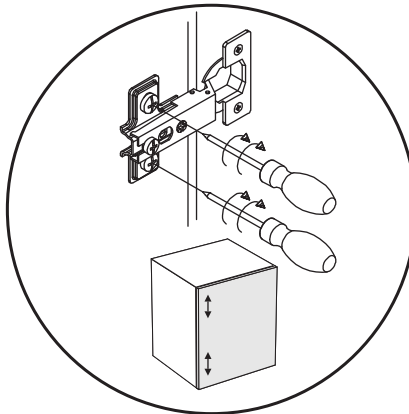
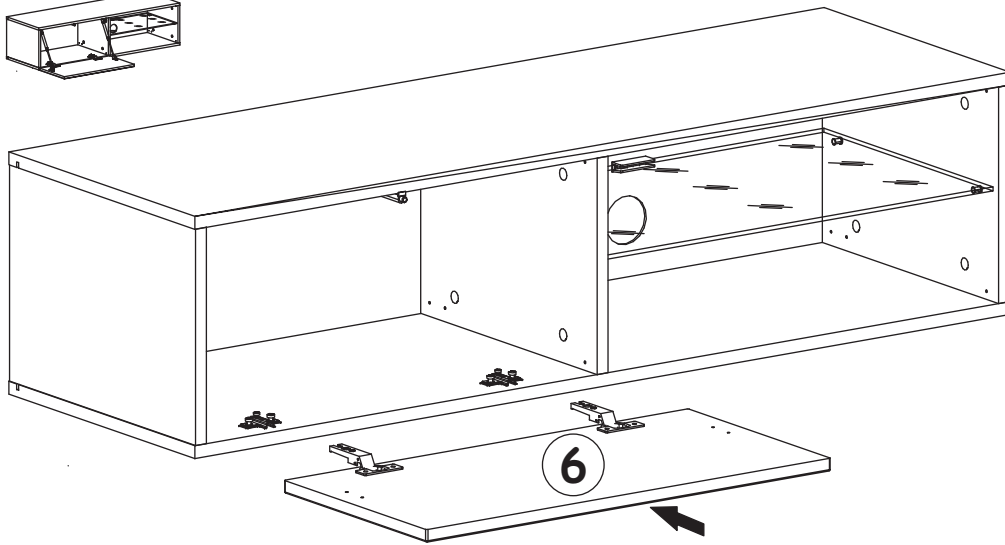
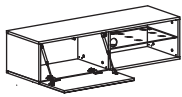


SWITCH RTV 4

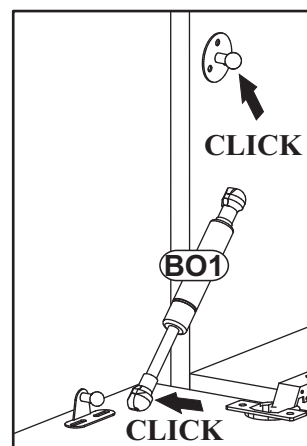
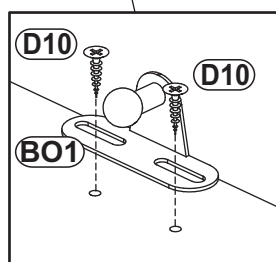
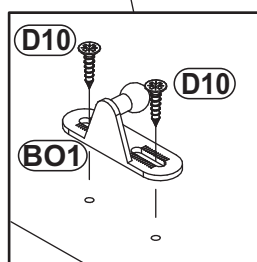
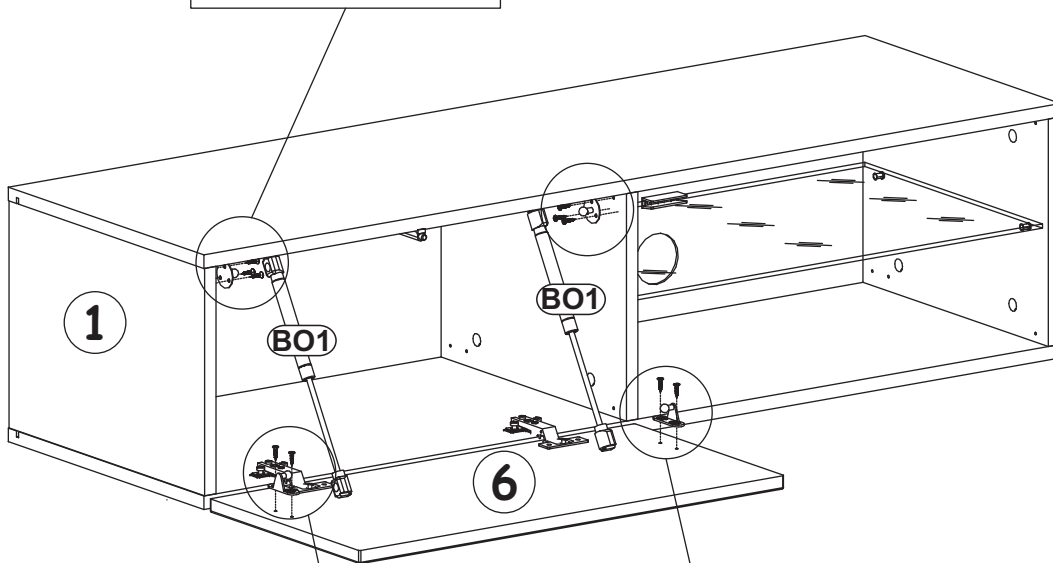
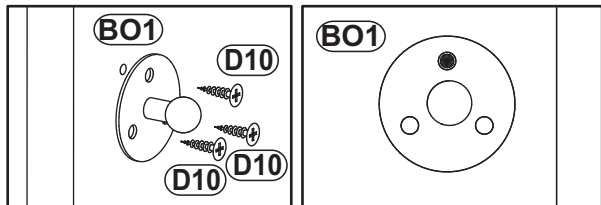
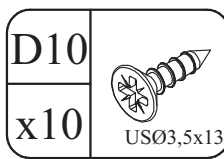
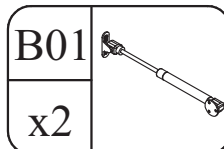
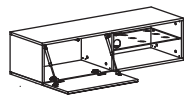
9



10

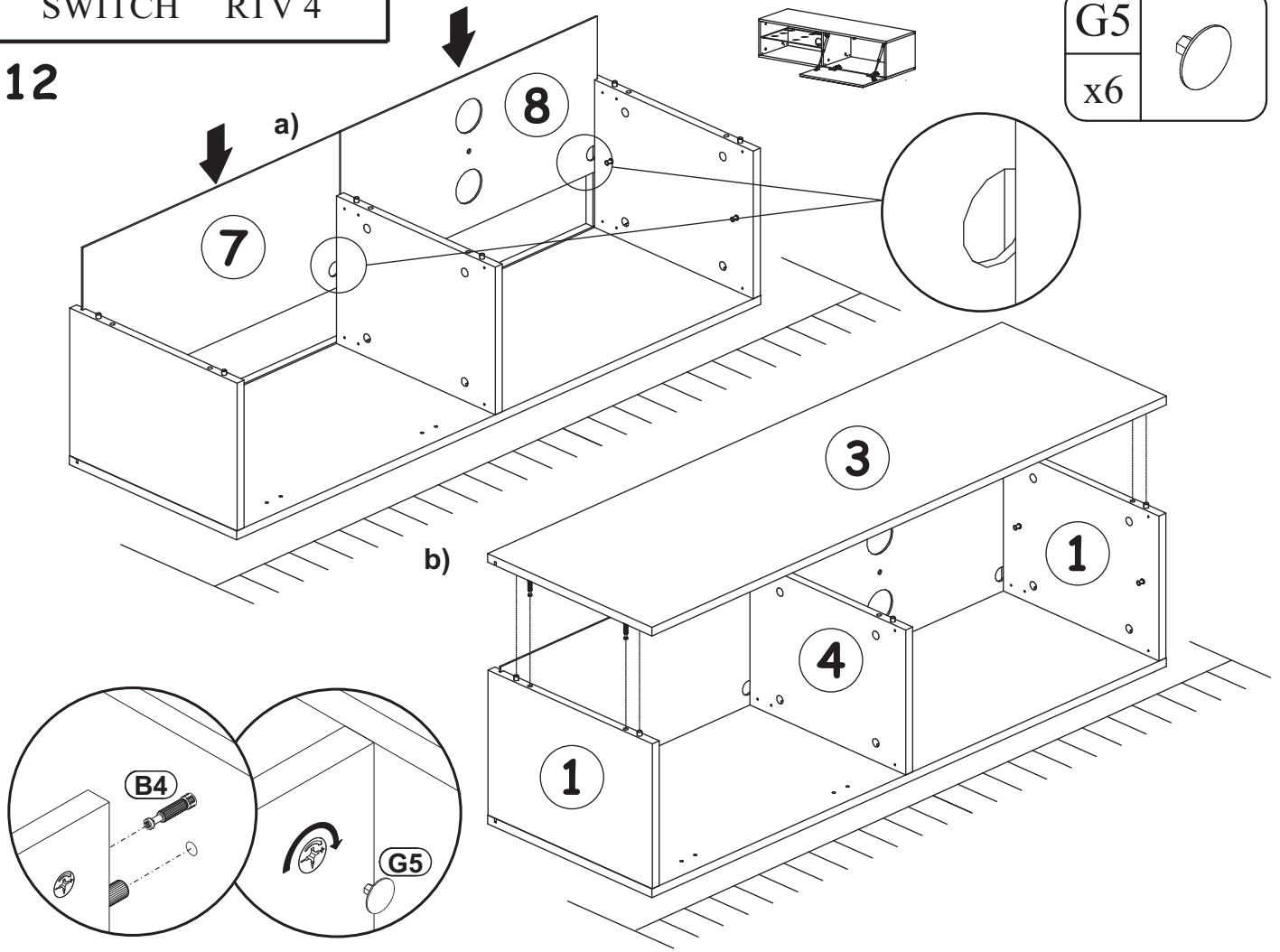


11



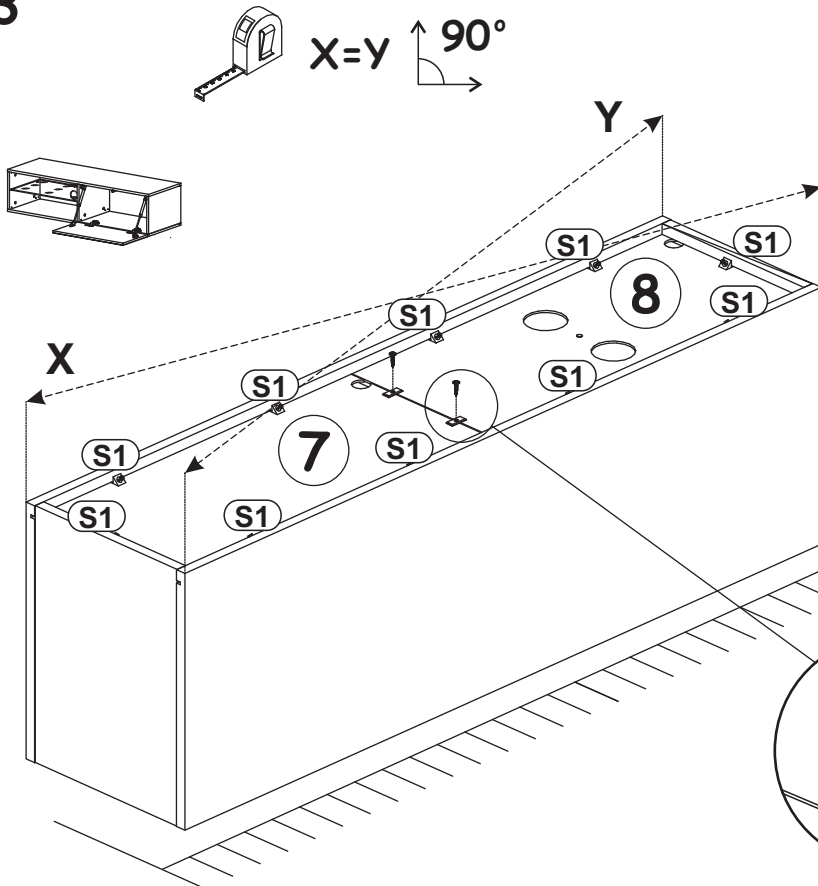
SWITCH RTV 4

12



G5	
x6	

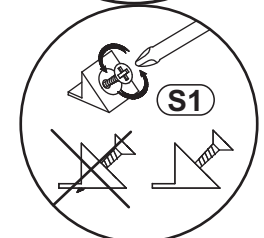
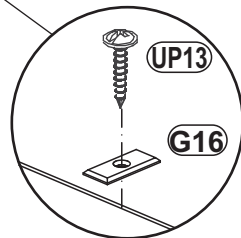
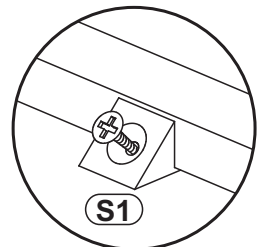
13



G16	
x2	

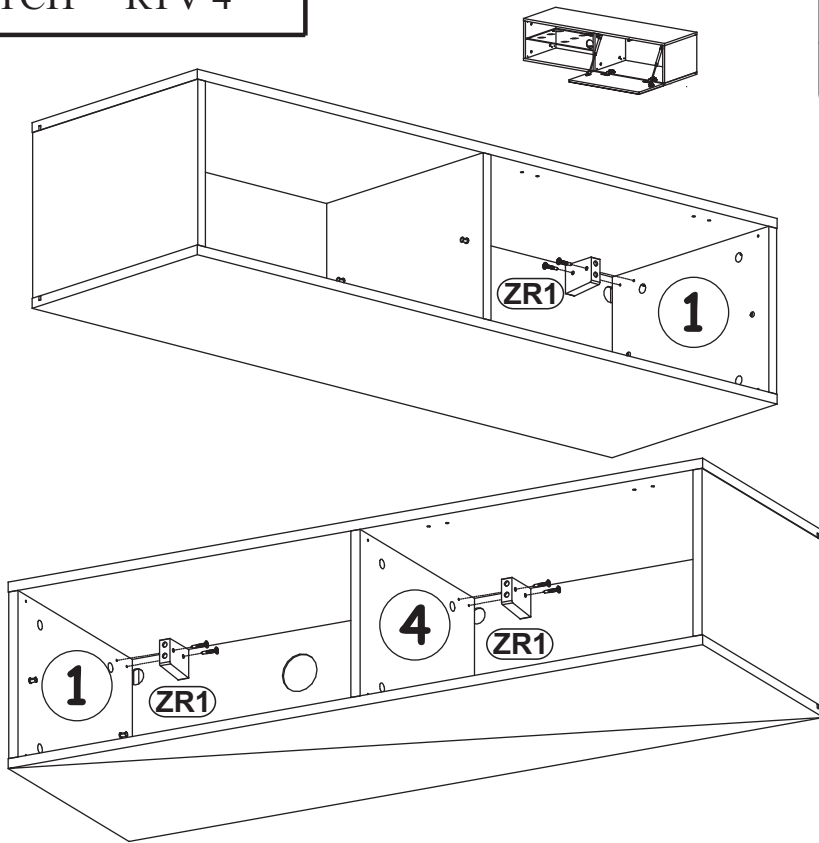
S1	
x10	

UP13	
x2	

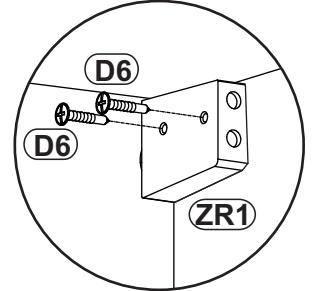
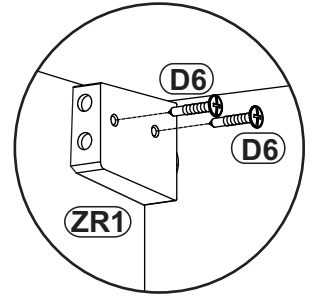


SWITCH RTV 4

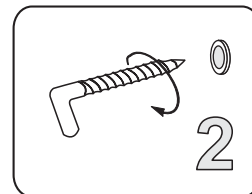
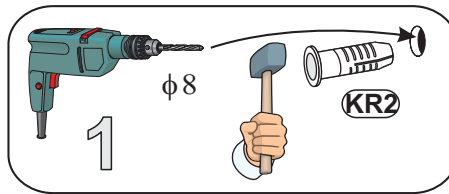
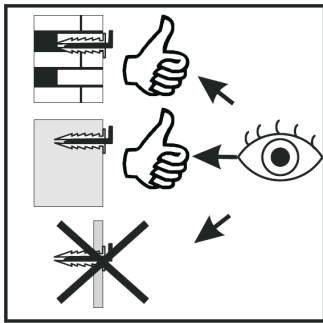
14



ZR1		D6	
x3		x6	US03,5x30

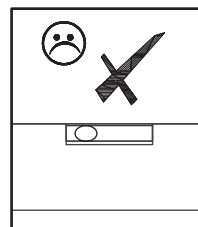
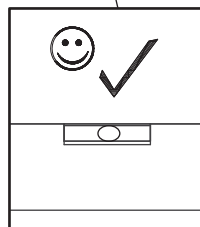
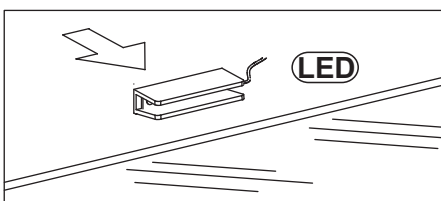
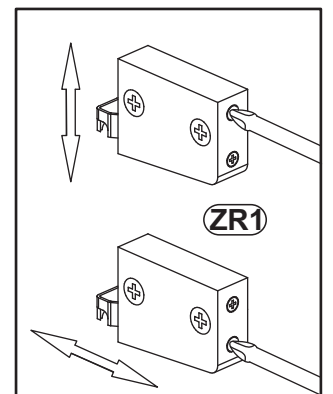
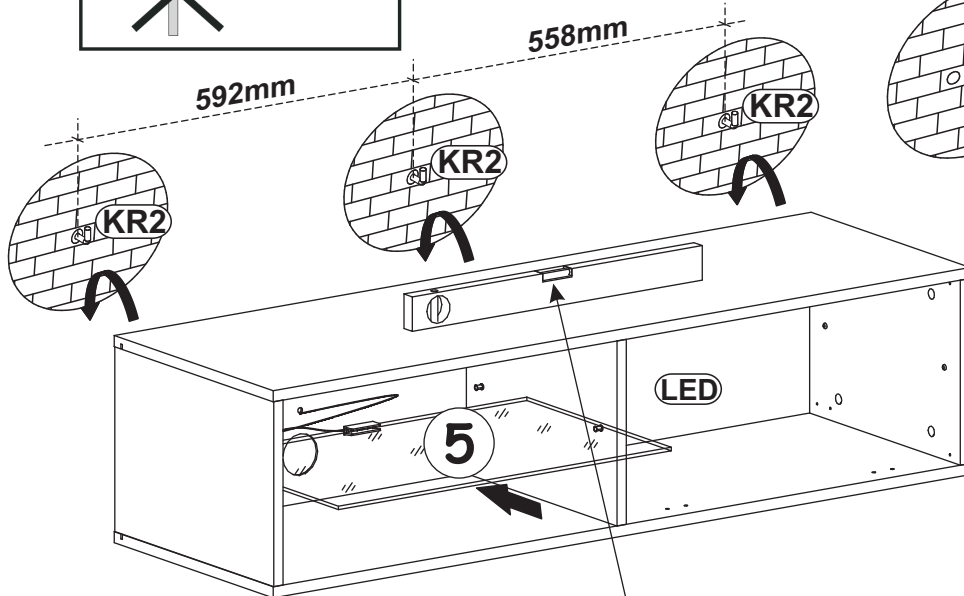


15



KR2	
x3	Ø8

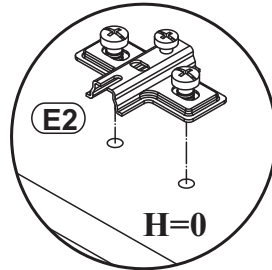
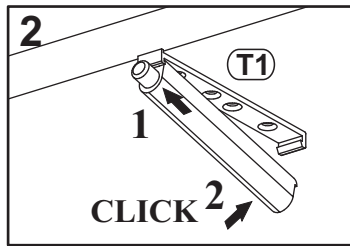
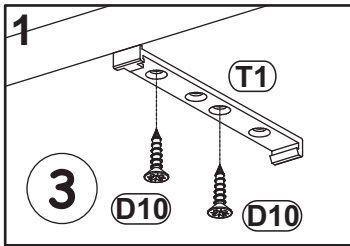
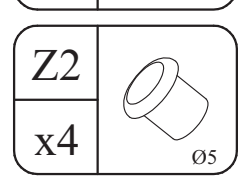
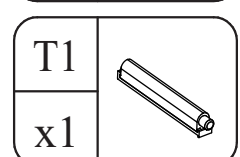
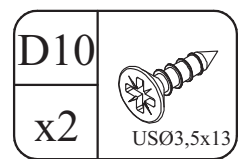
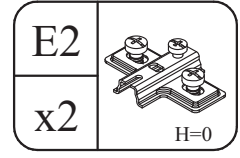
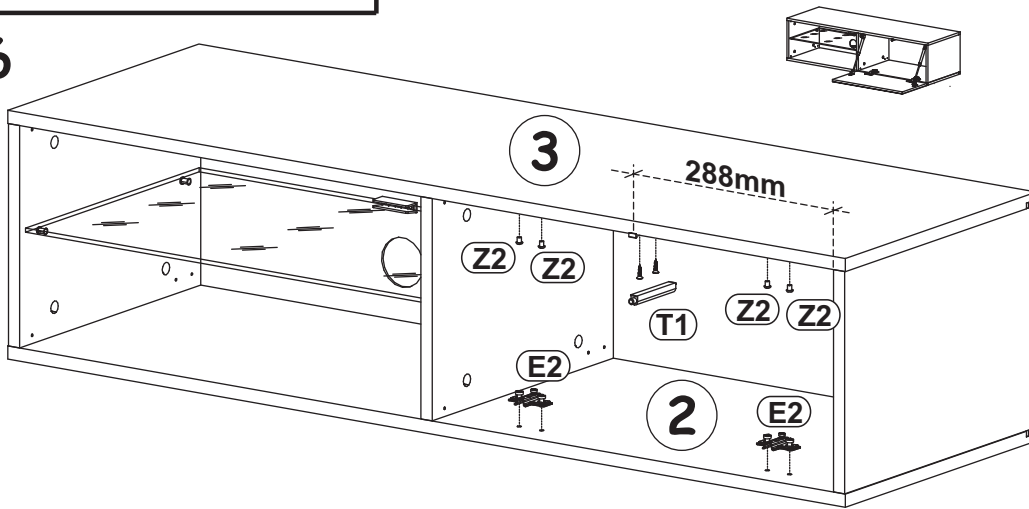
LED	
x1	x1



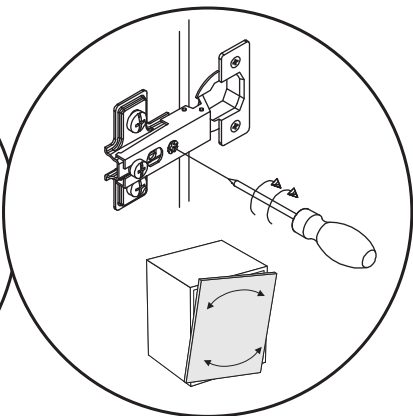
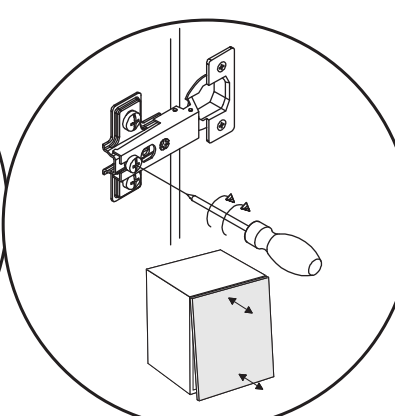
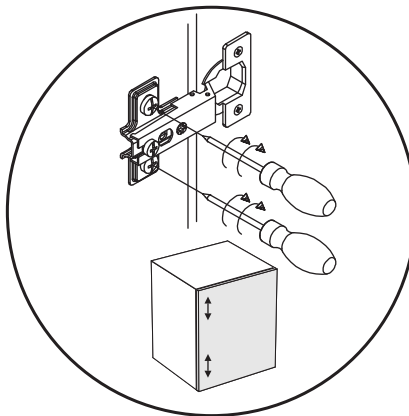
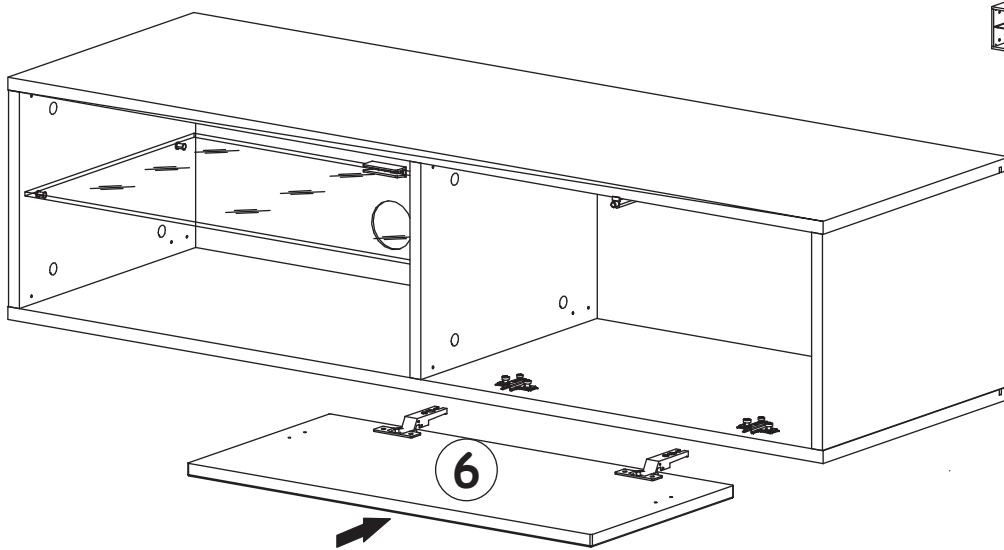


SWITCH RTV 4

16



17



18

