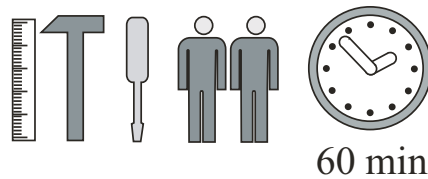
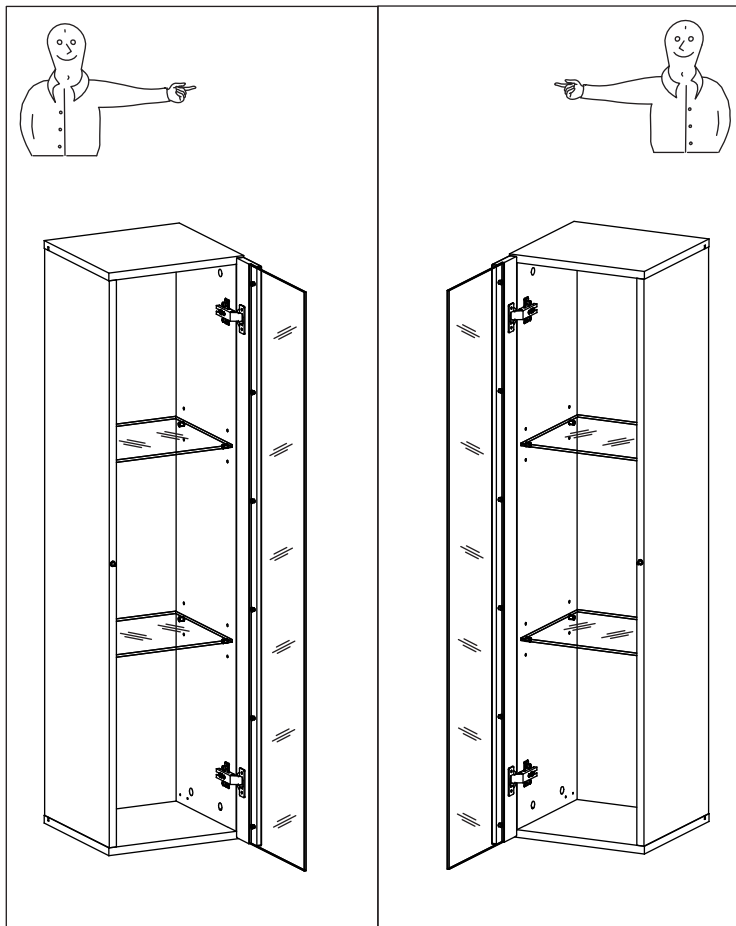
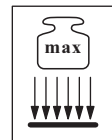
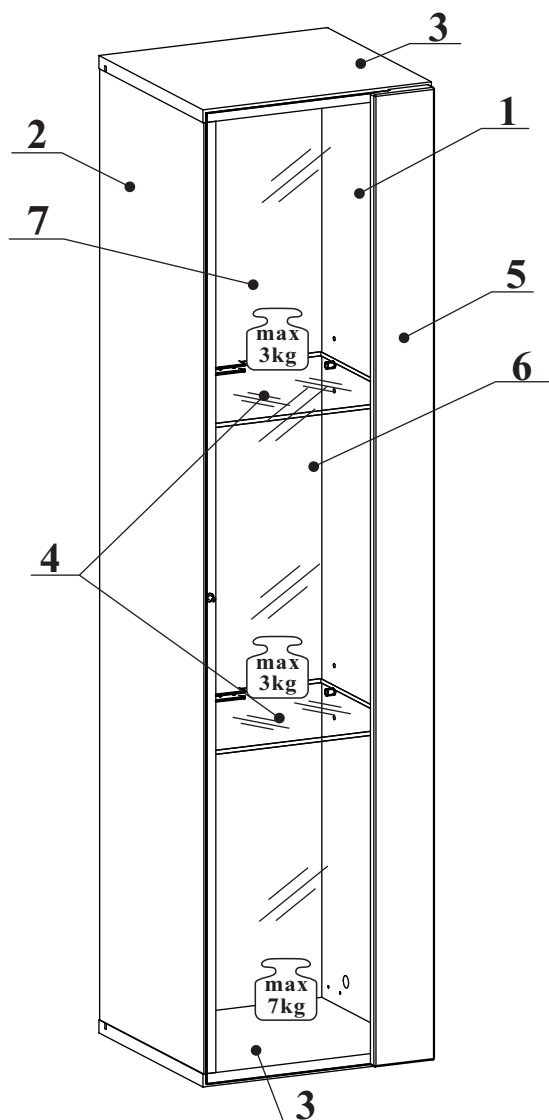


SWITCH WW 2

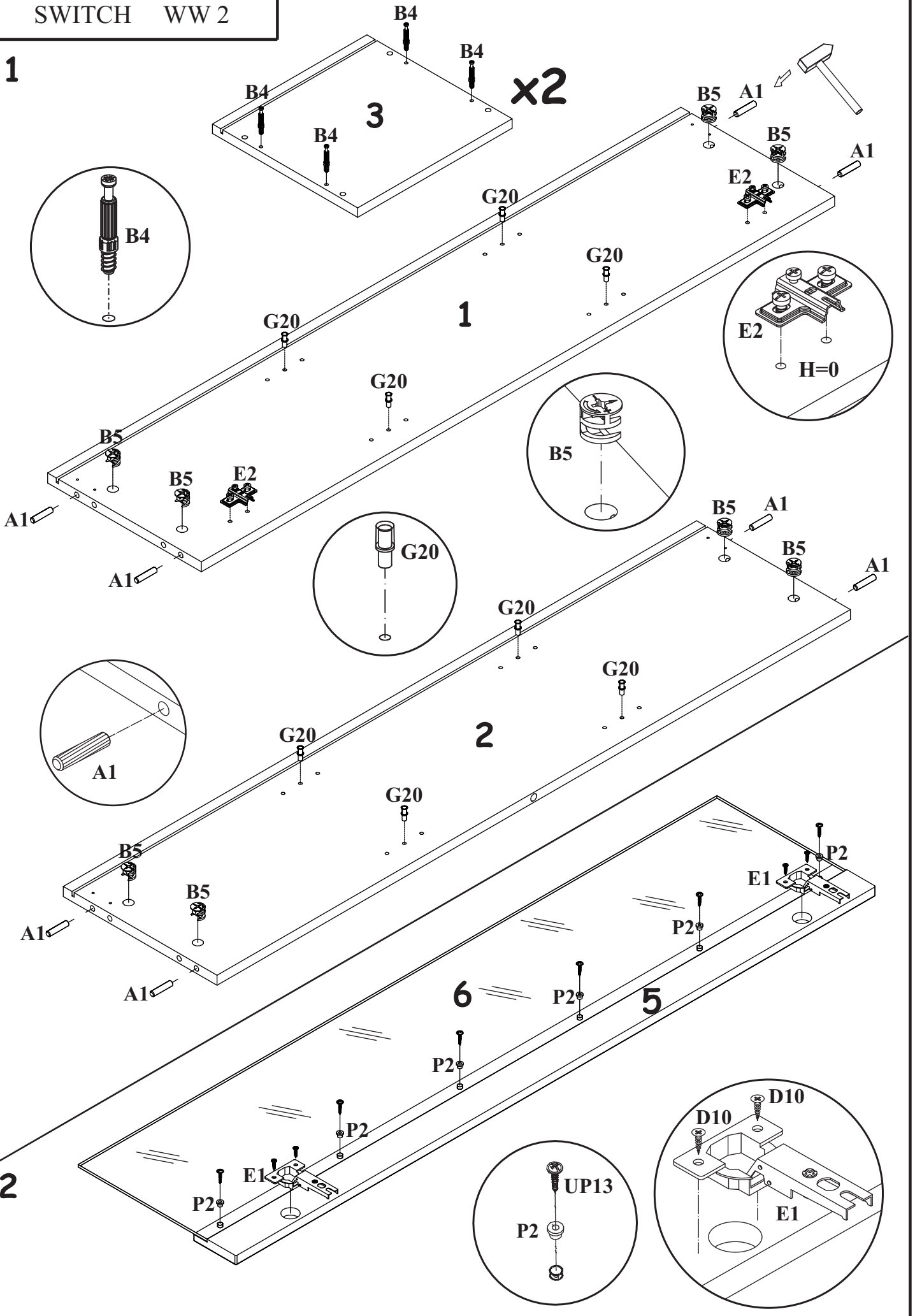


60 min

NO	Dim.		Col.-No	Qty
1	1170	284	1	1
2	1170	284	1	1
3	302	284	1	2
4	266	249	1	2
5	80	1196	1	1
6	1194	241	1	1
7	1182	280	1	1

SWITCH WW 2

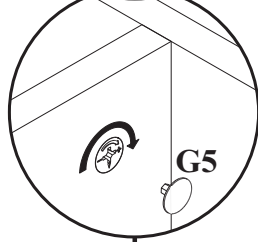
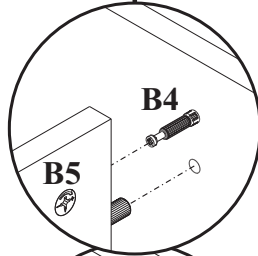
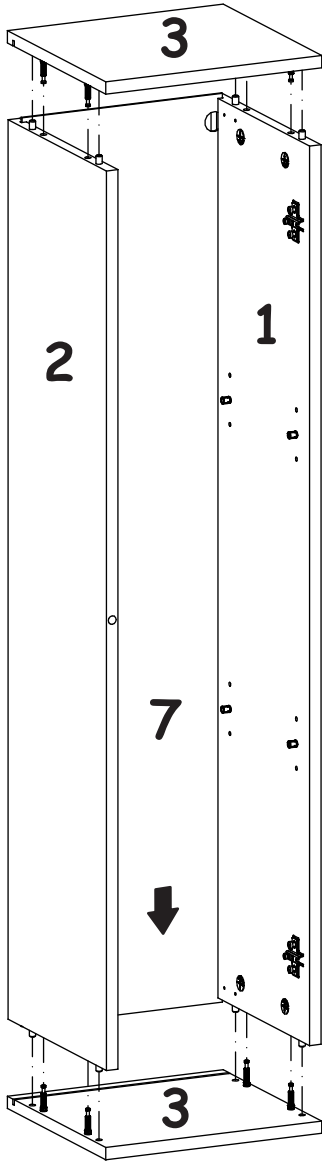
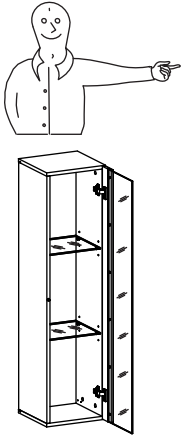
1



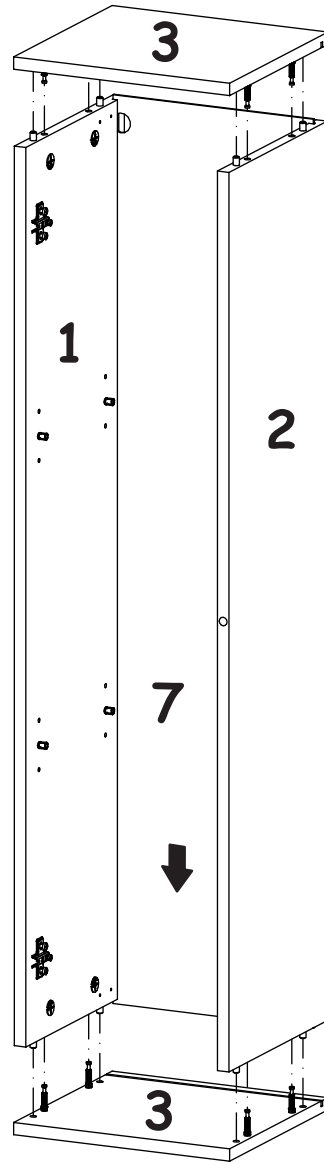
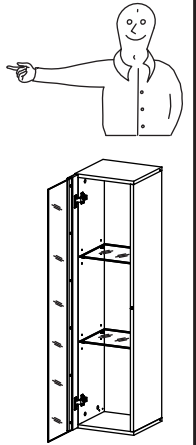
2

SWITCH WW 2

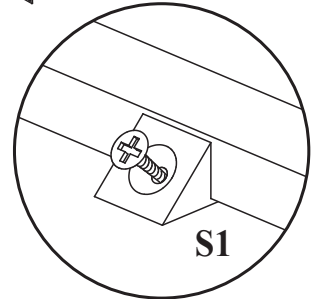
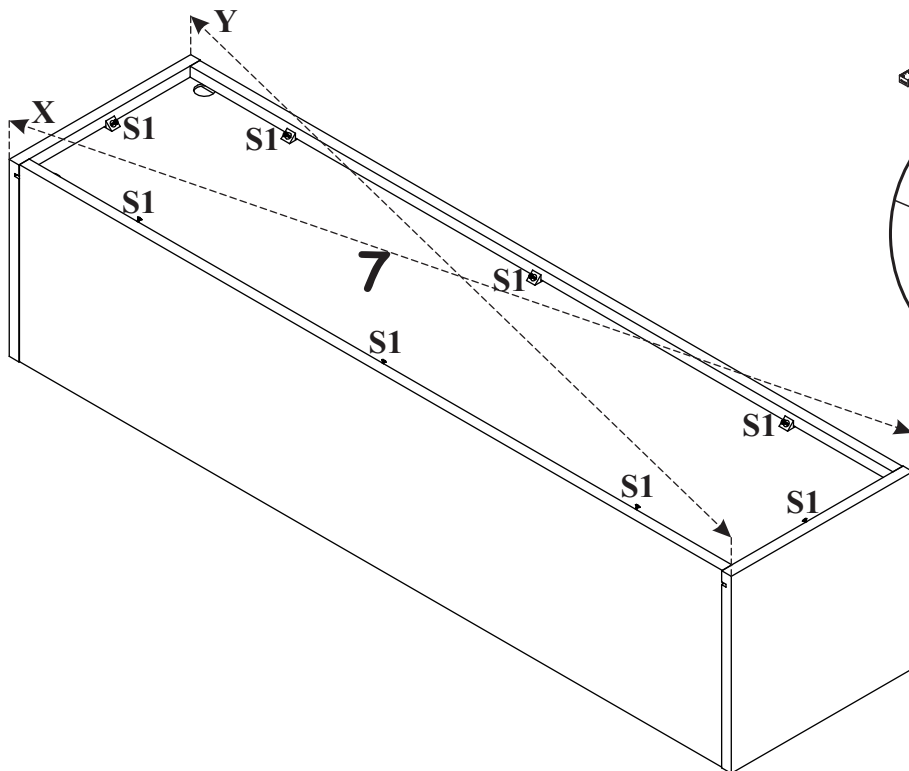
3



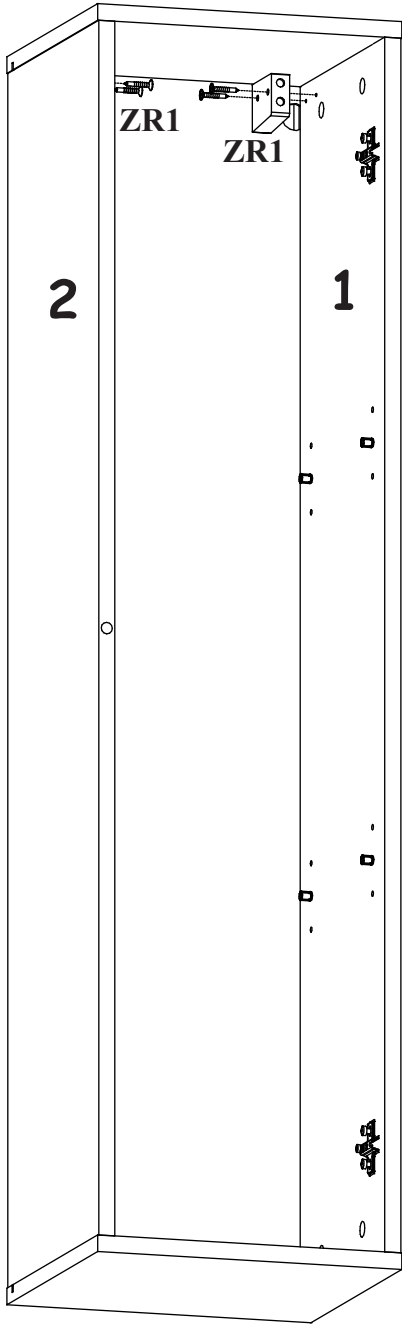
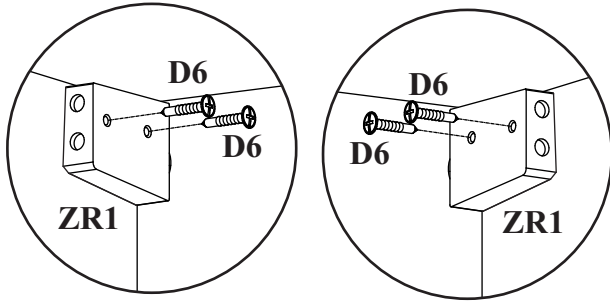
3



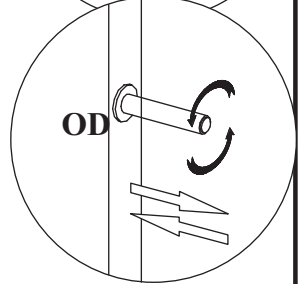
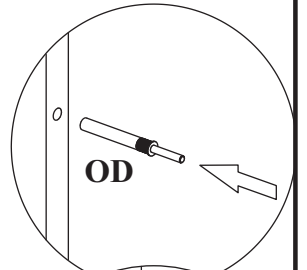
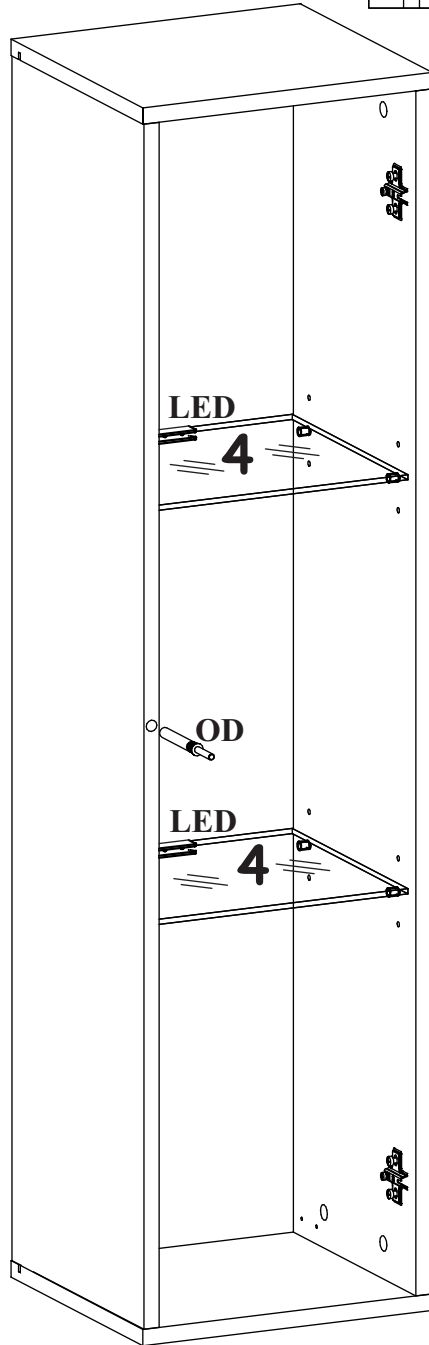
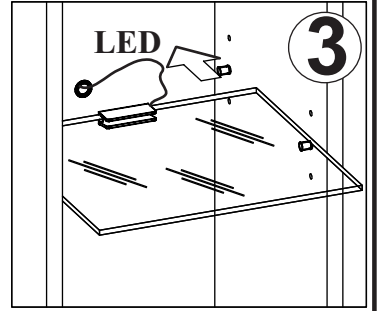
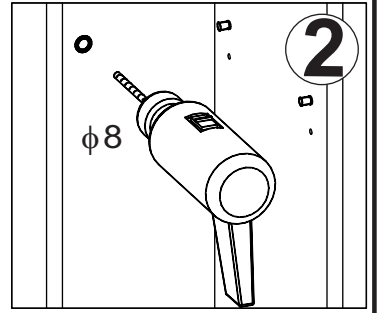
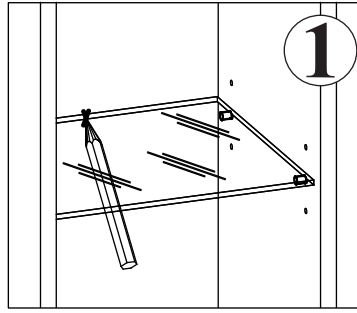
4



5

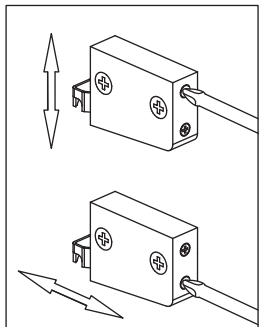
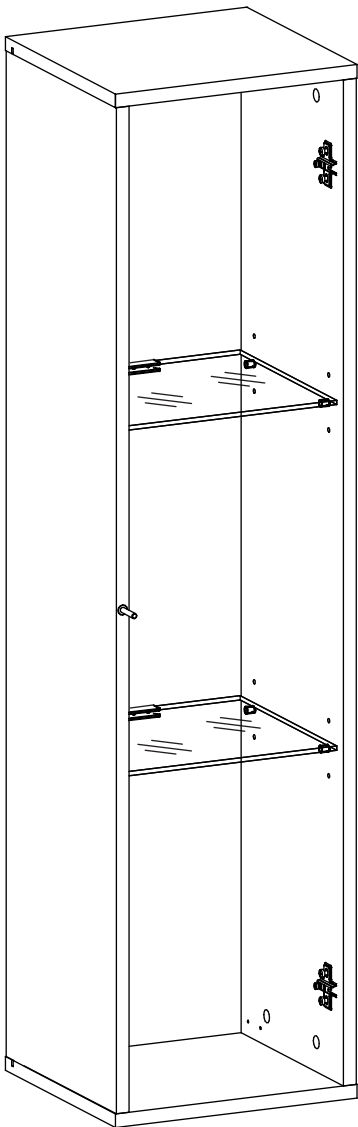
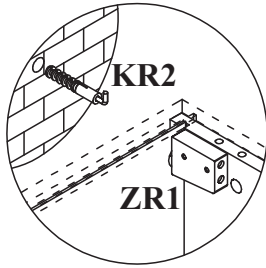
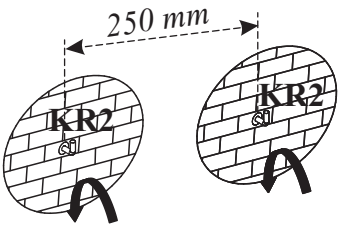
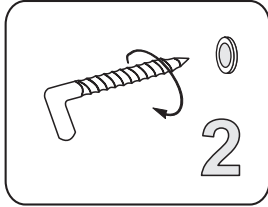
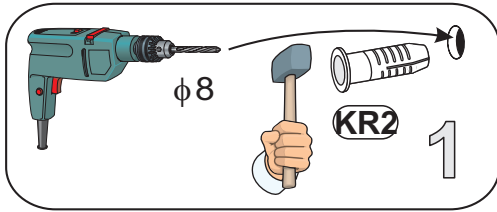


6

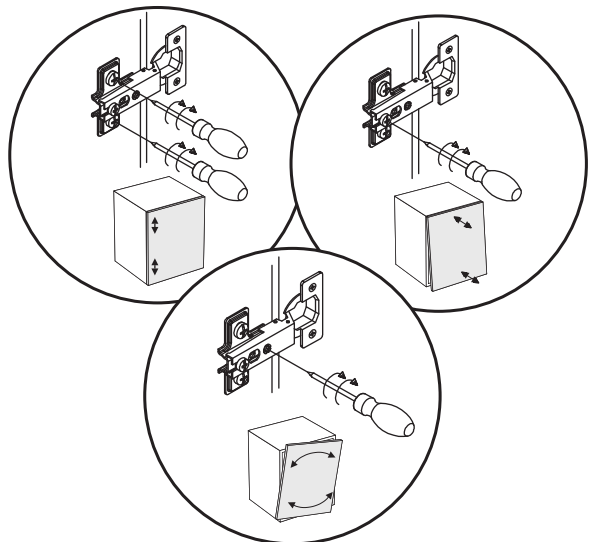
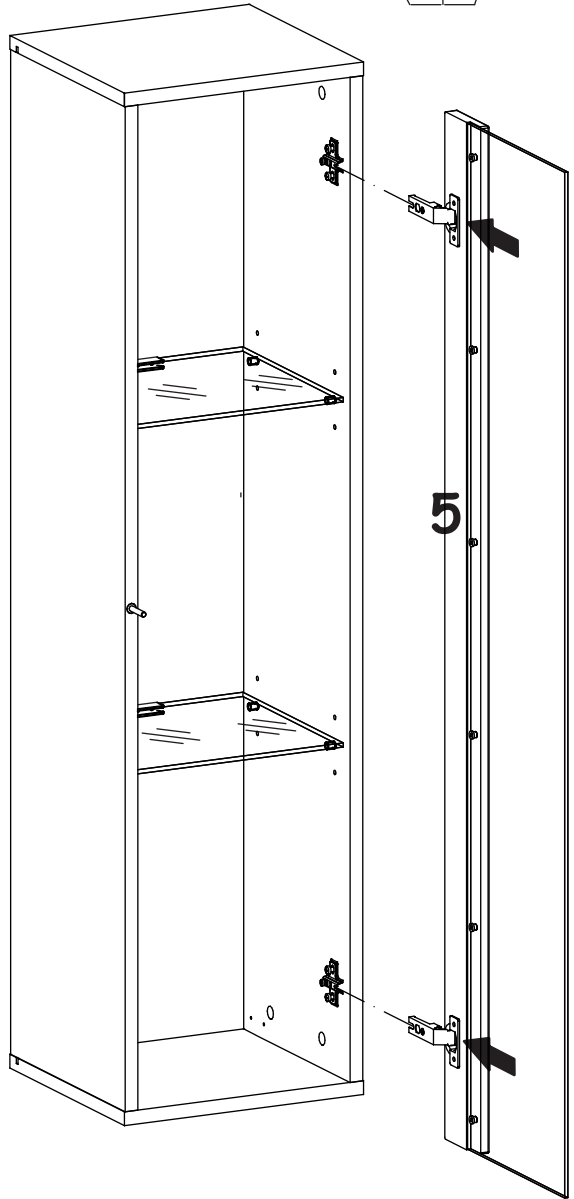
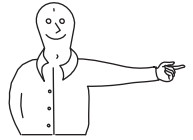


SWITCH WW 2

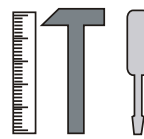
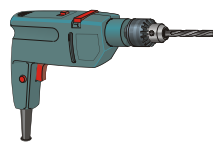
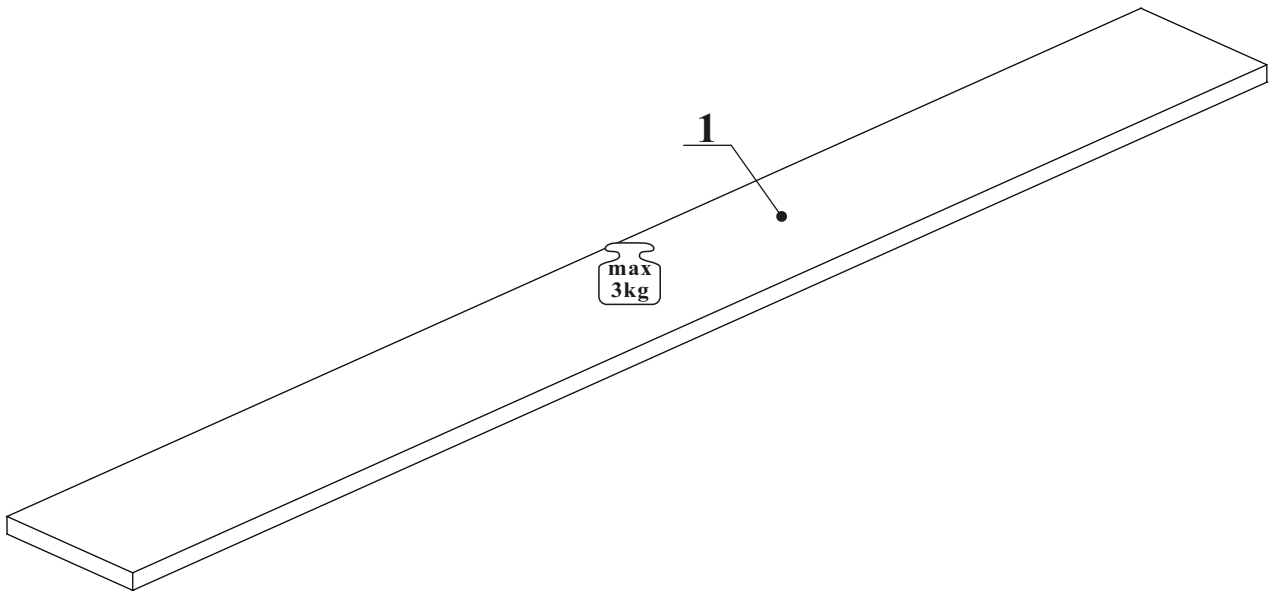
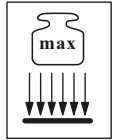
7



8



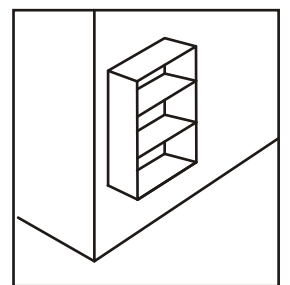
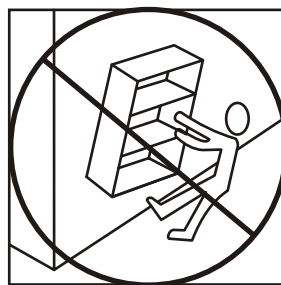
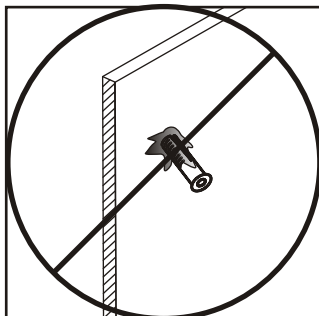
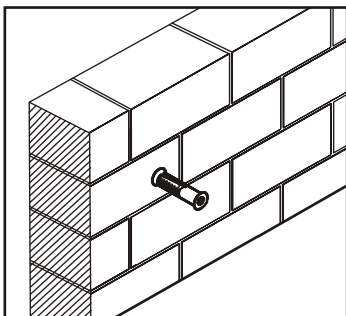
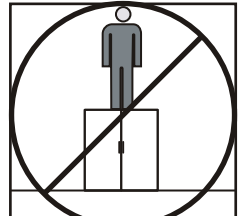
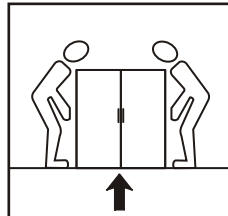
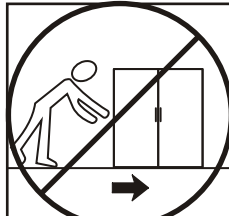
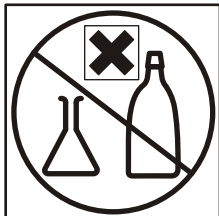
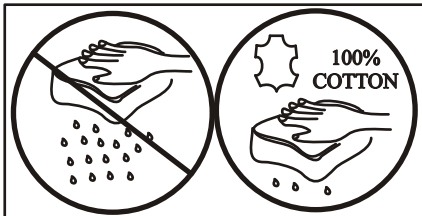
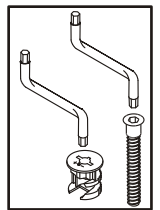
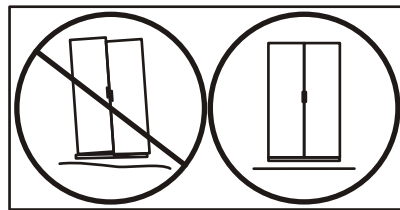
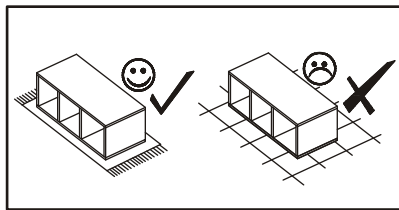
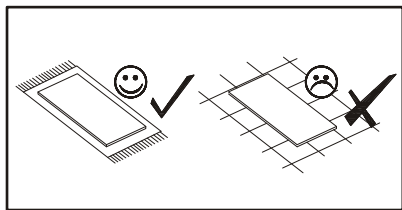
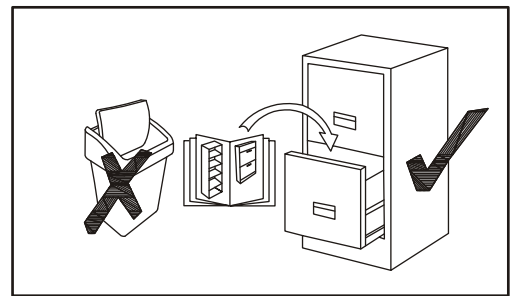
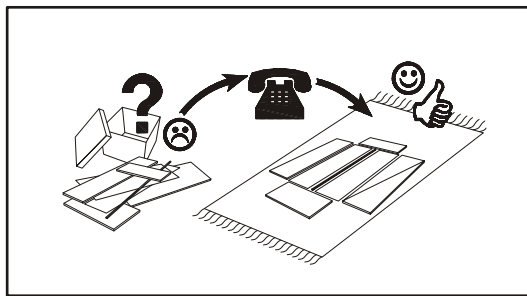
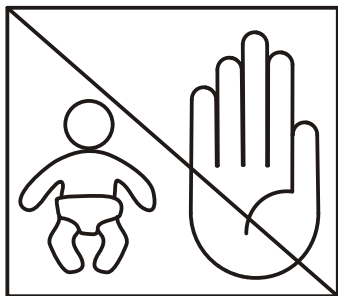
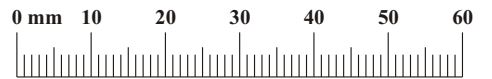
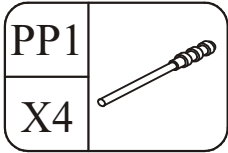
SWITCH PW 1



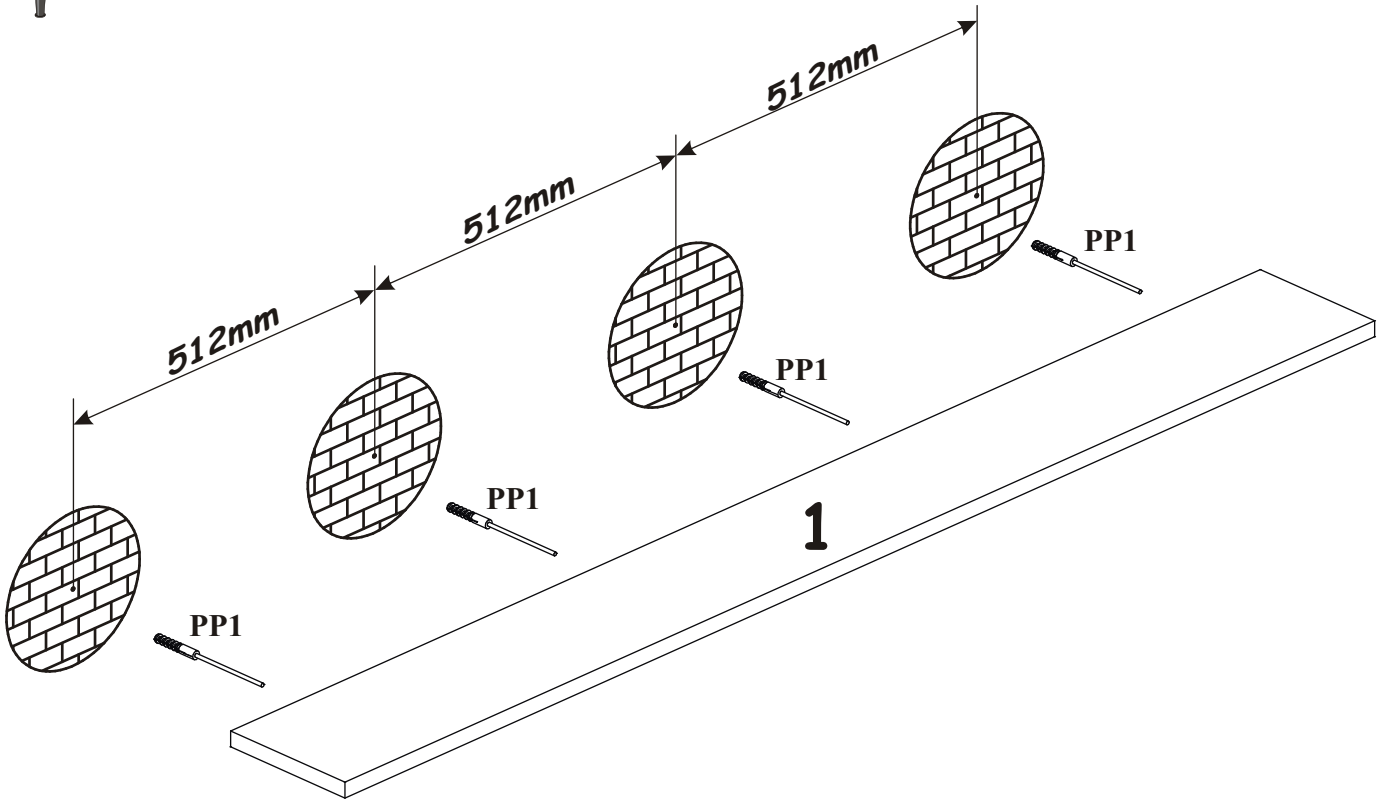
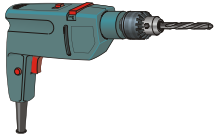
10 min

NO	Dim.	Col.-No	Qty
1	1802 200	1	1

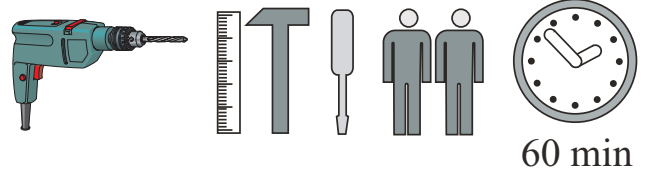
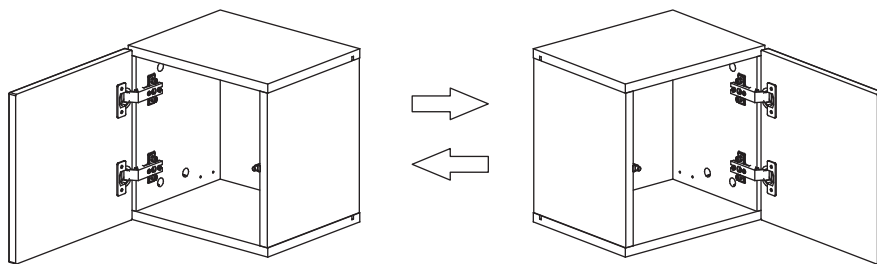
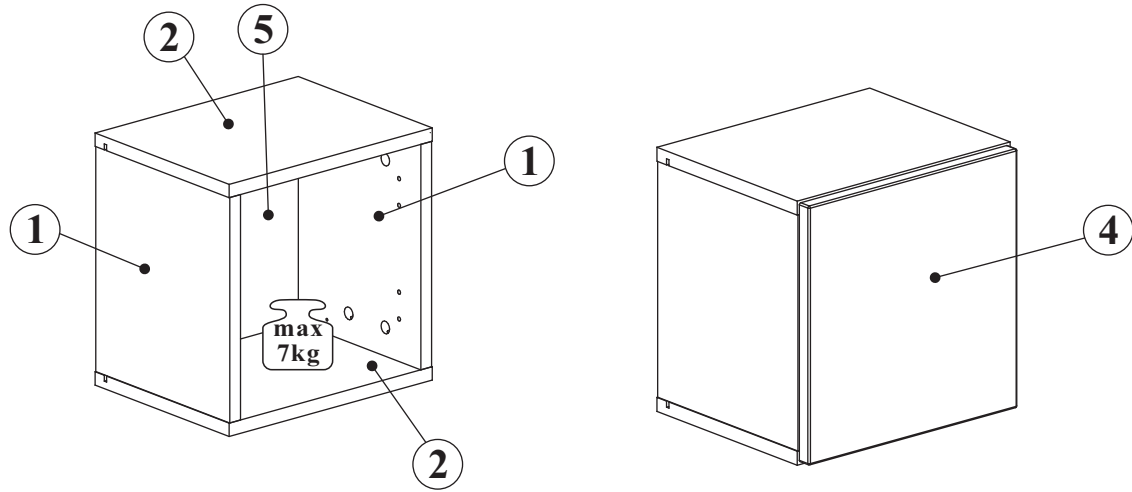
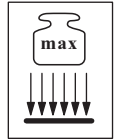
SWITCH PW 1



SWITCH PW 1



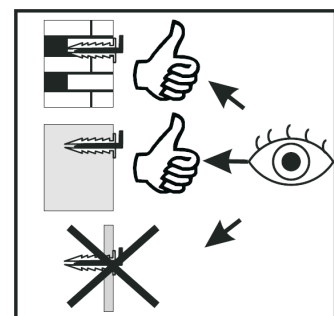
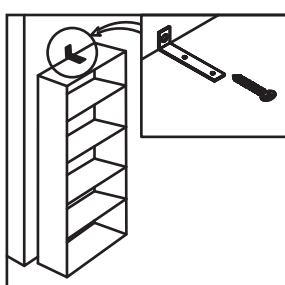
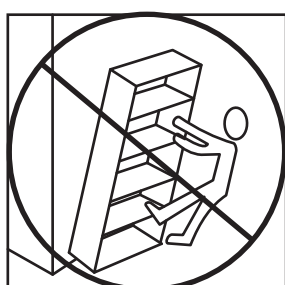
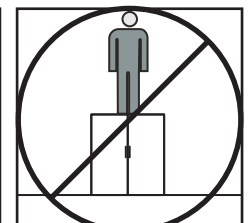
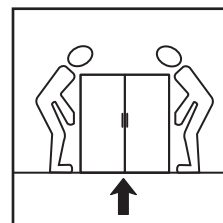
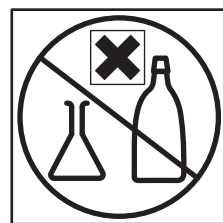
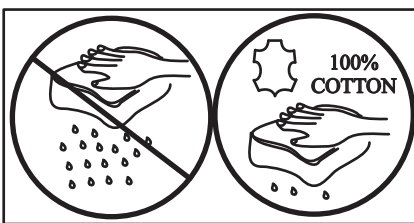
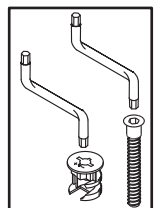
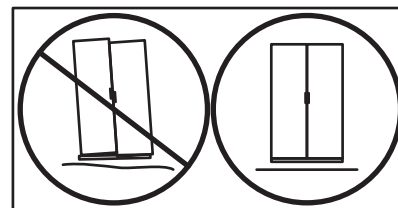
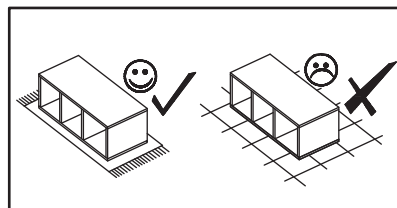
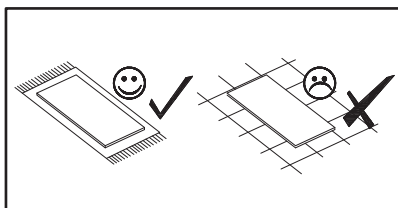
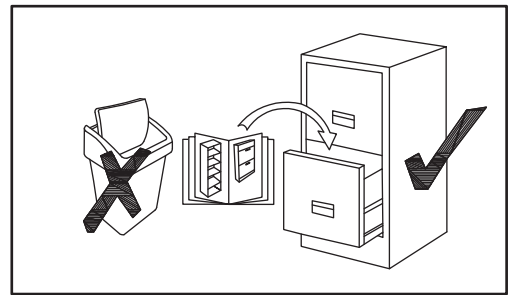
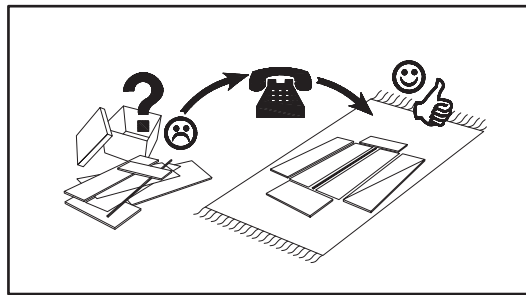
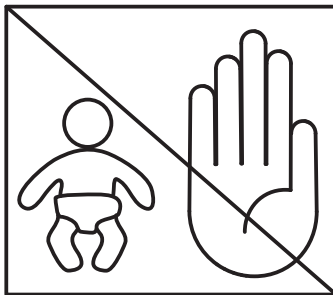
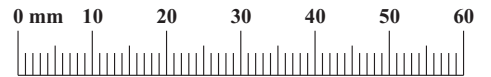
SWITCH 27 -- SW SW 5



NO	Dim.			Col-No	Qty
1	270	234	16	1	2
2	302	234	16	1	2
5	282	280	3	1	1
4	296	296	16	1	1

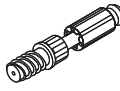
SWITCH SW 5

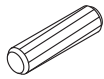
A1 x8 ø8x36	B4 x8	G5 x8	B5 x8 ø15x12	ZR1 x2	D6 x4 USØ3,5x30
E1 x2 Ø26 H=0	E2 x2 H=0	D10 x6 USØ3,5x13	T1 x1	S1 x4	KR2 x2 Ø8
G2 x1	Z2 x4 Ø5				

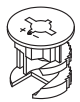


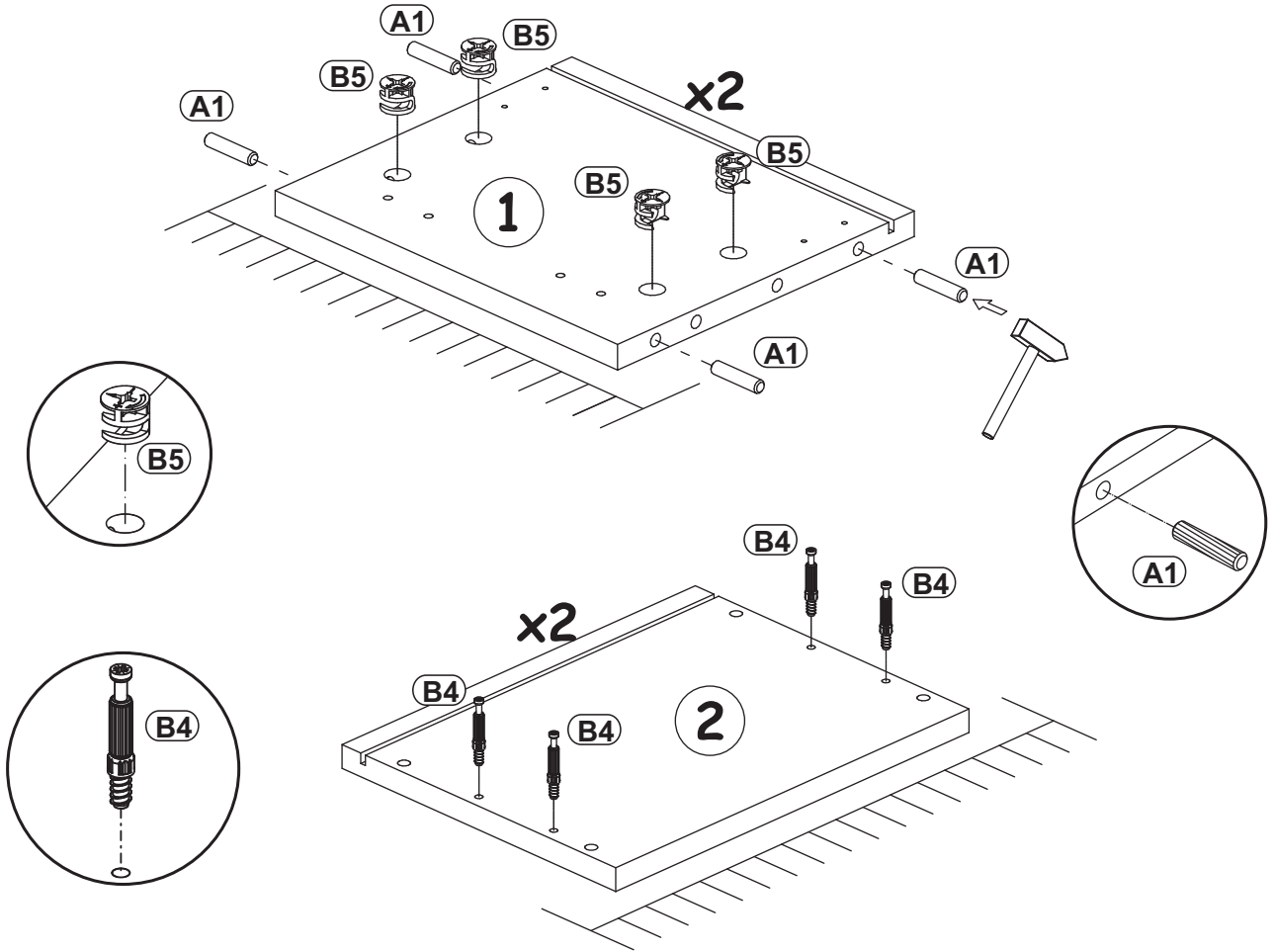
SWITCH SW 5

1

B4	
x8	


A1	
x8	ø8x36

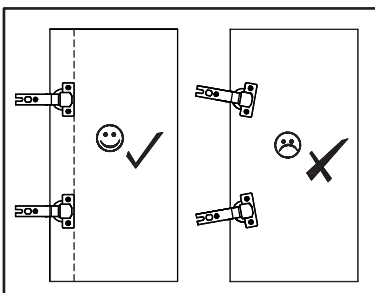
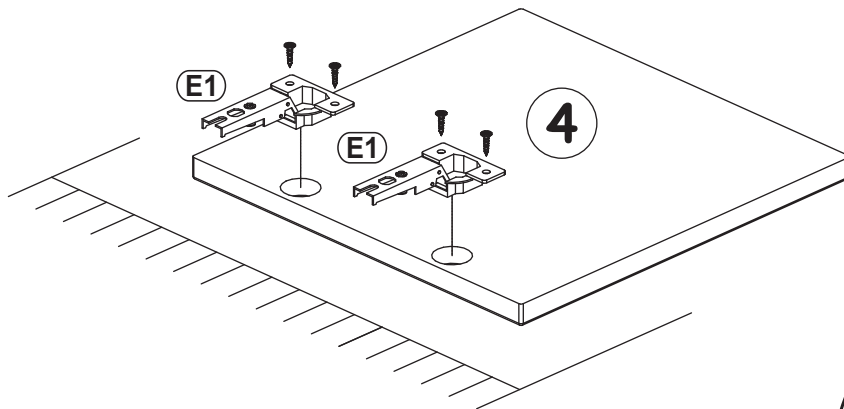
B5	
x8	ø15x12



2


E1	Ø26
x2	H=0

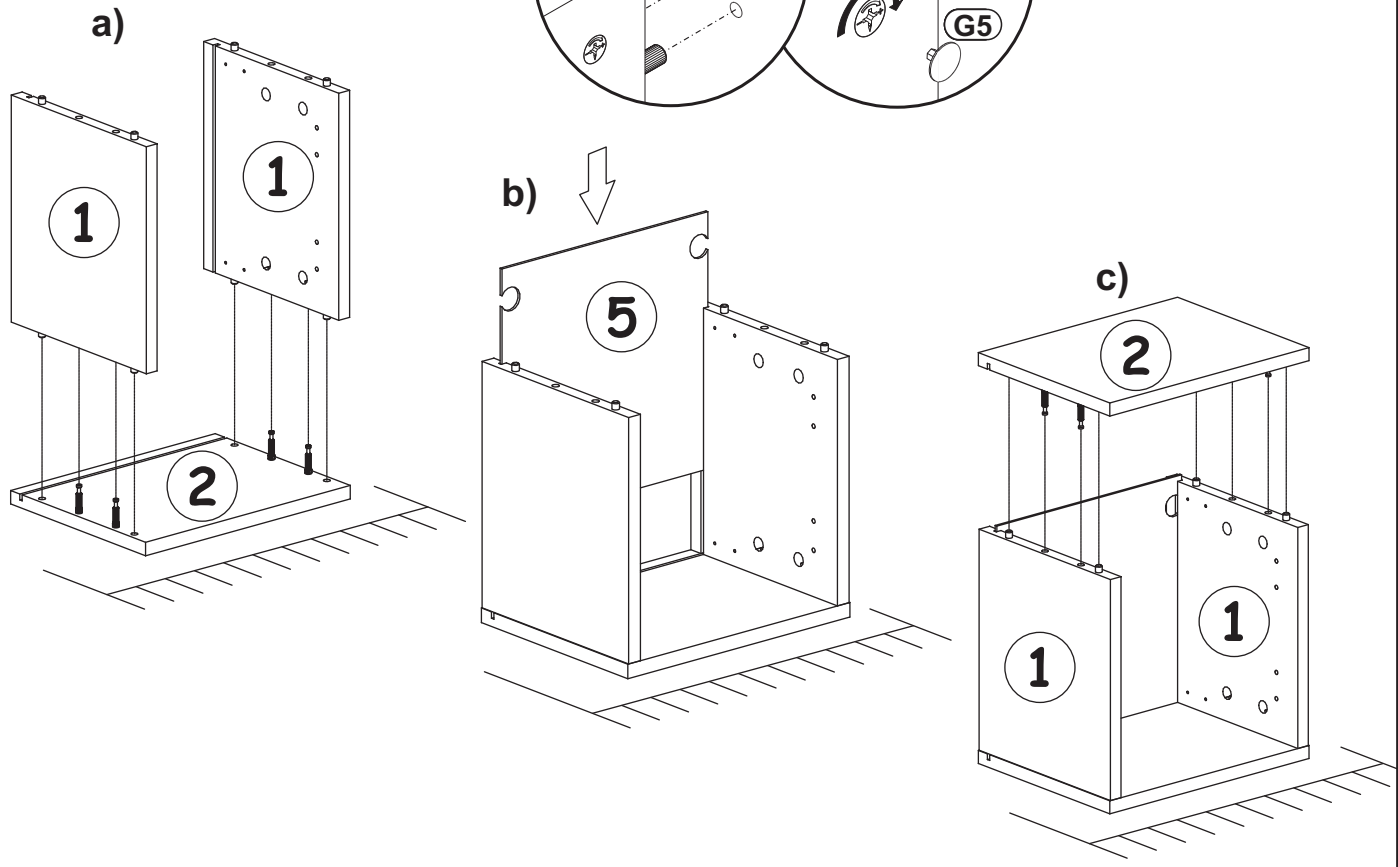
D10	
x4	USØ3,5x13



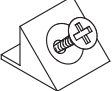
SWITCH SW 5

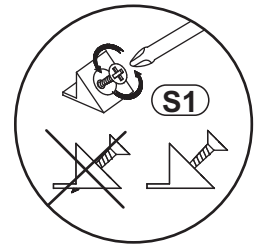
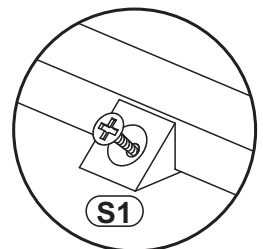
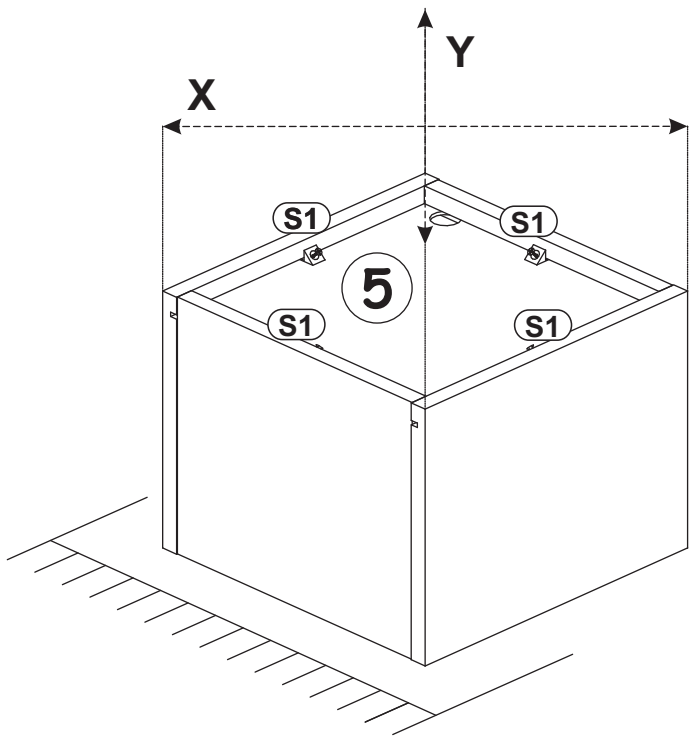
3

G5	
x8	

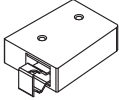



4

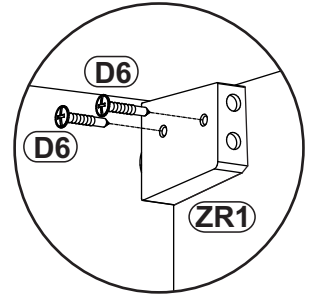
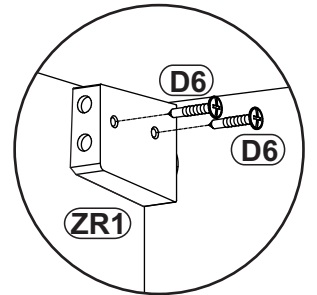
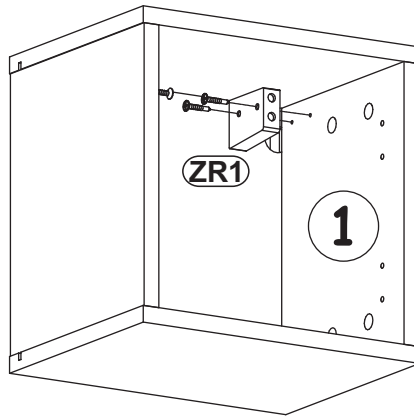
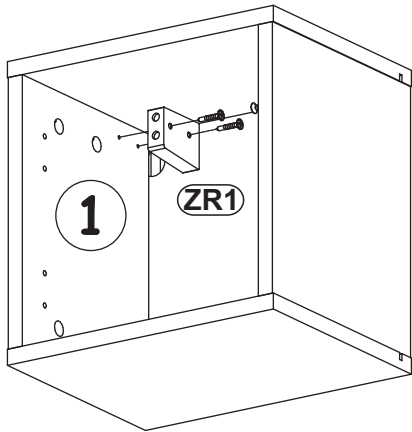
S1	
x4	



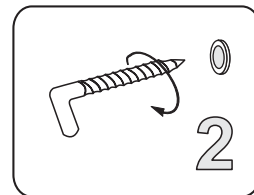
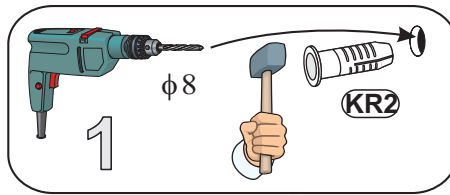
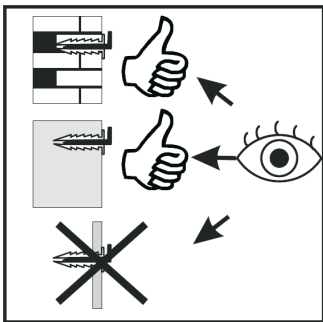
SWITCH SW 5

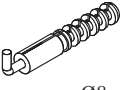
ZR1		D6	
x2		x4	USØ3,5x30

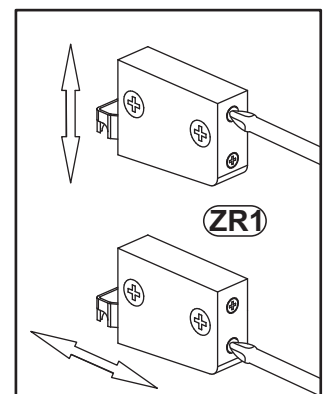
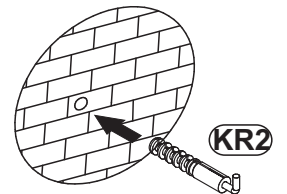
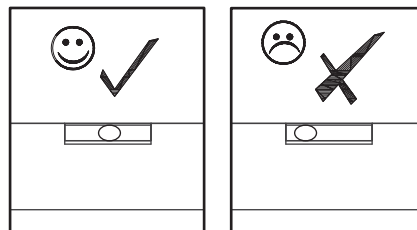
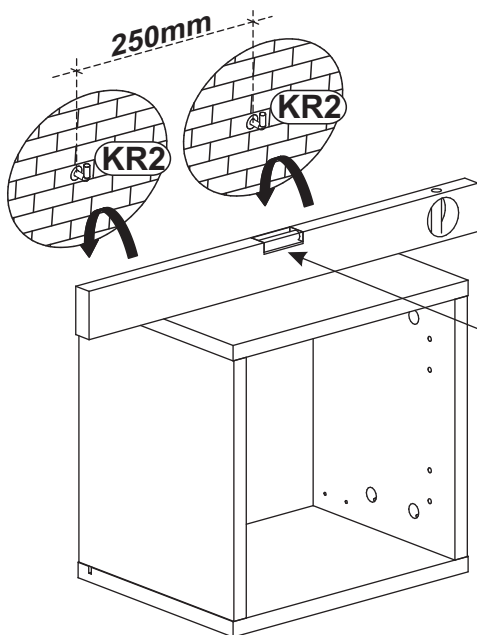
5



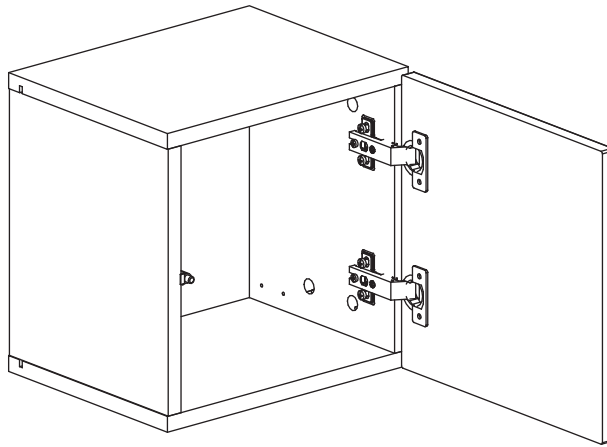
6



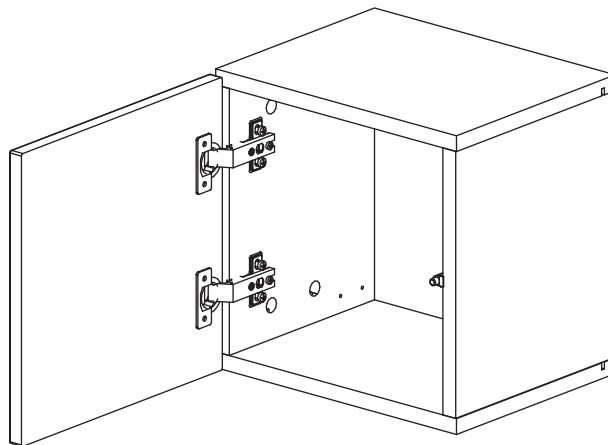
KR2	
x2	Ø8



7 - 8

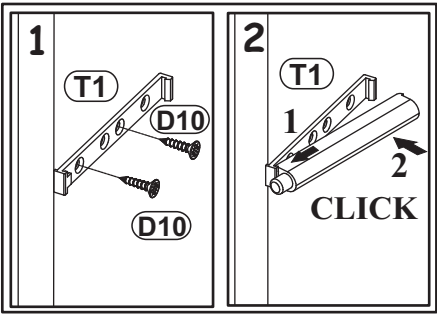
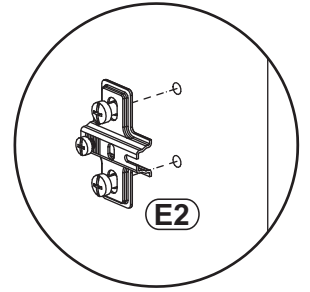
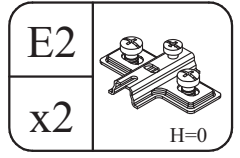
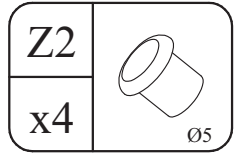
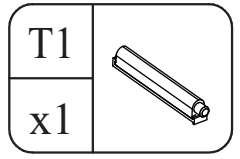
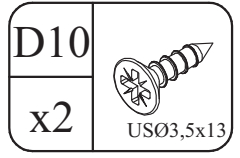
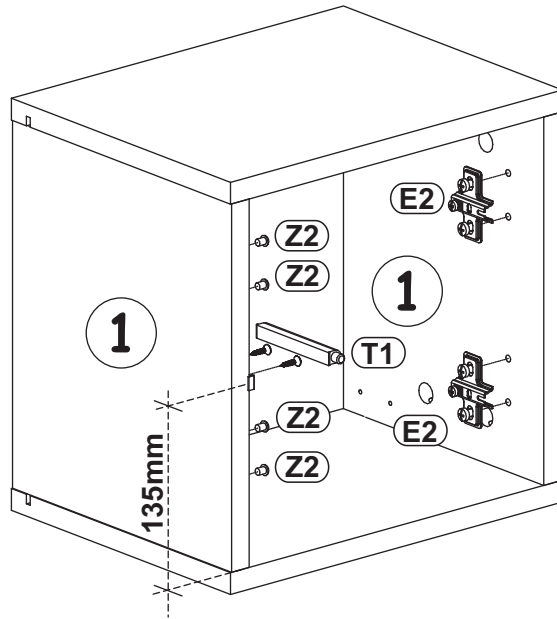
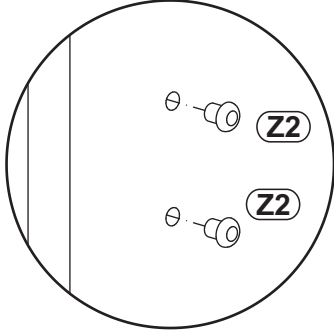
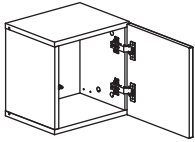


9 - 10

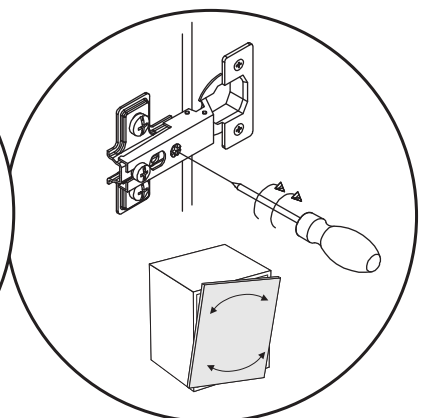
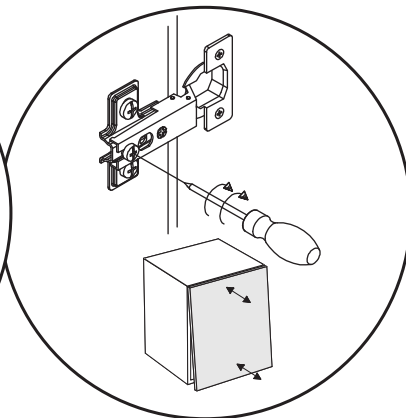
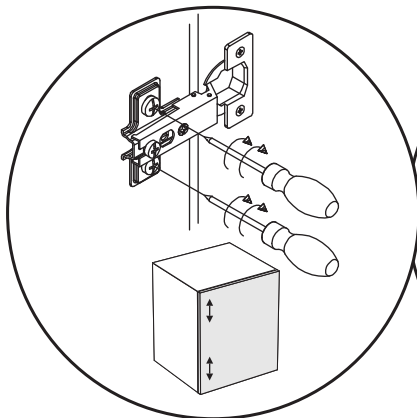
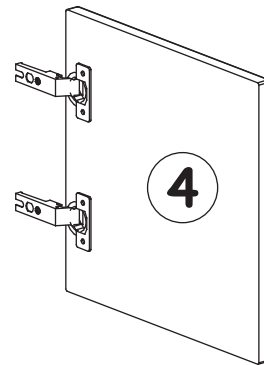
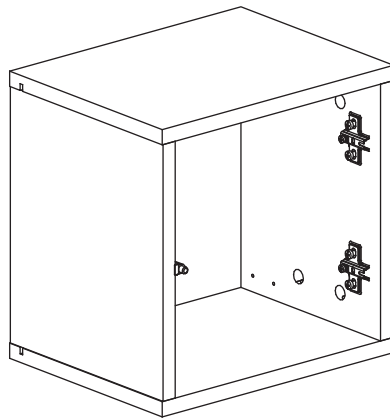
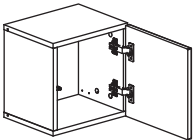


SWITCH SW 5

7

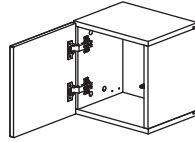


8



SWITCH SW 5

9

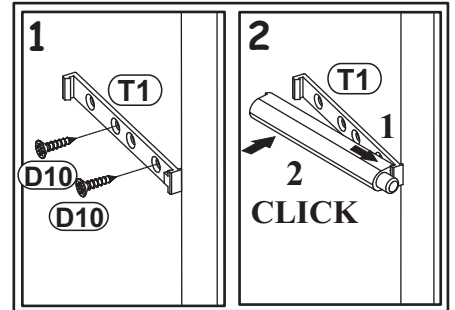
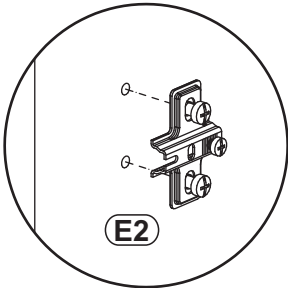
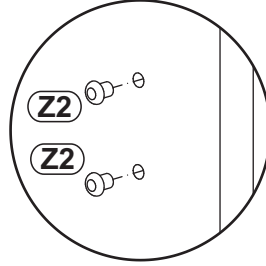
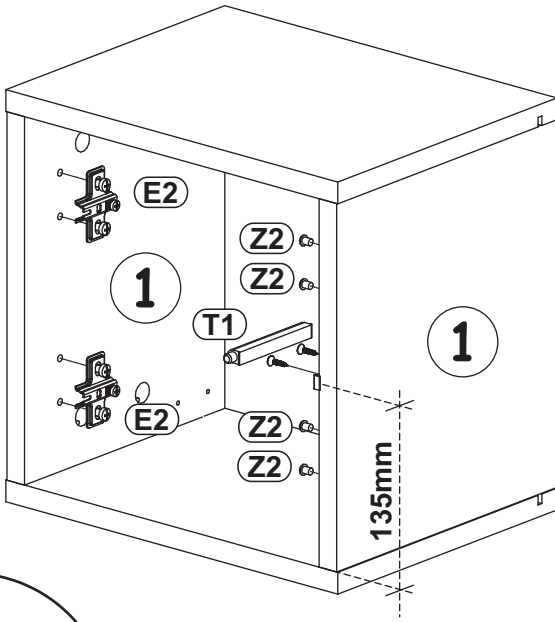


E2	
x2	H=0

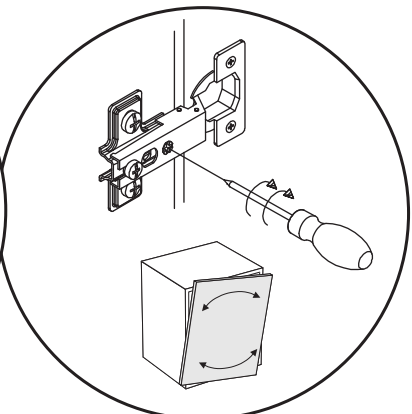
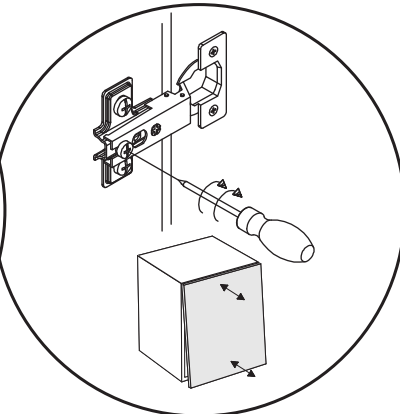
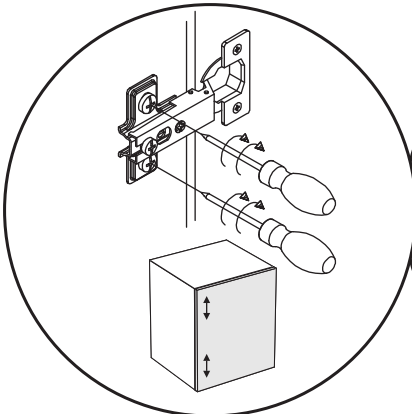
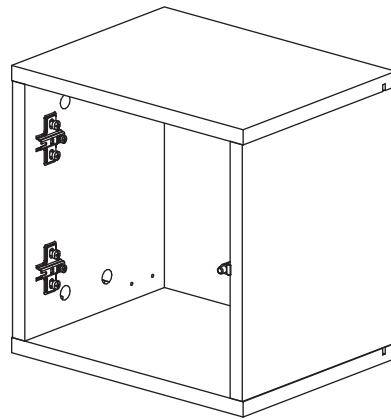
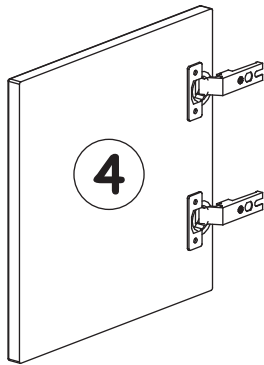
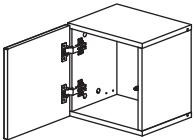
D10	
x2	USØ3,5x13

T1	
x1	

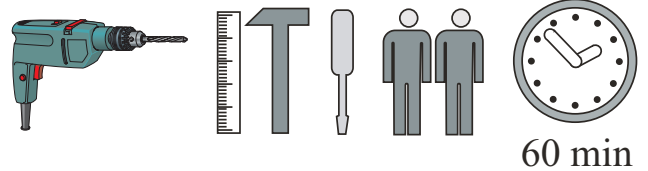
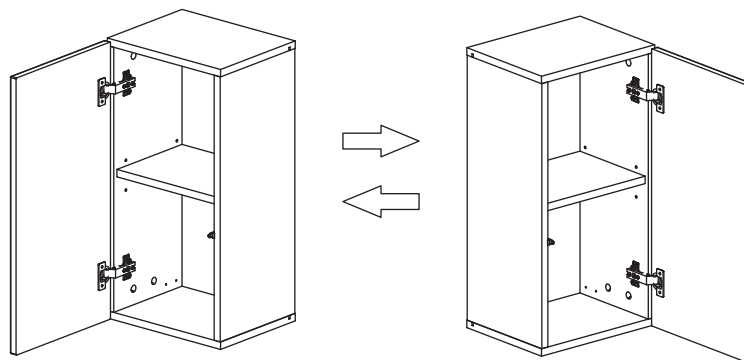
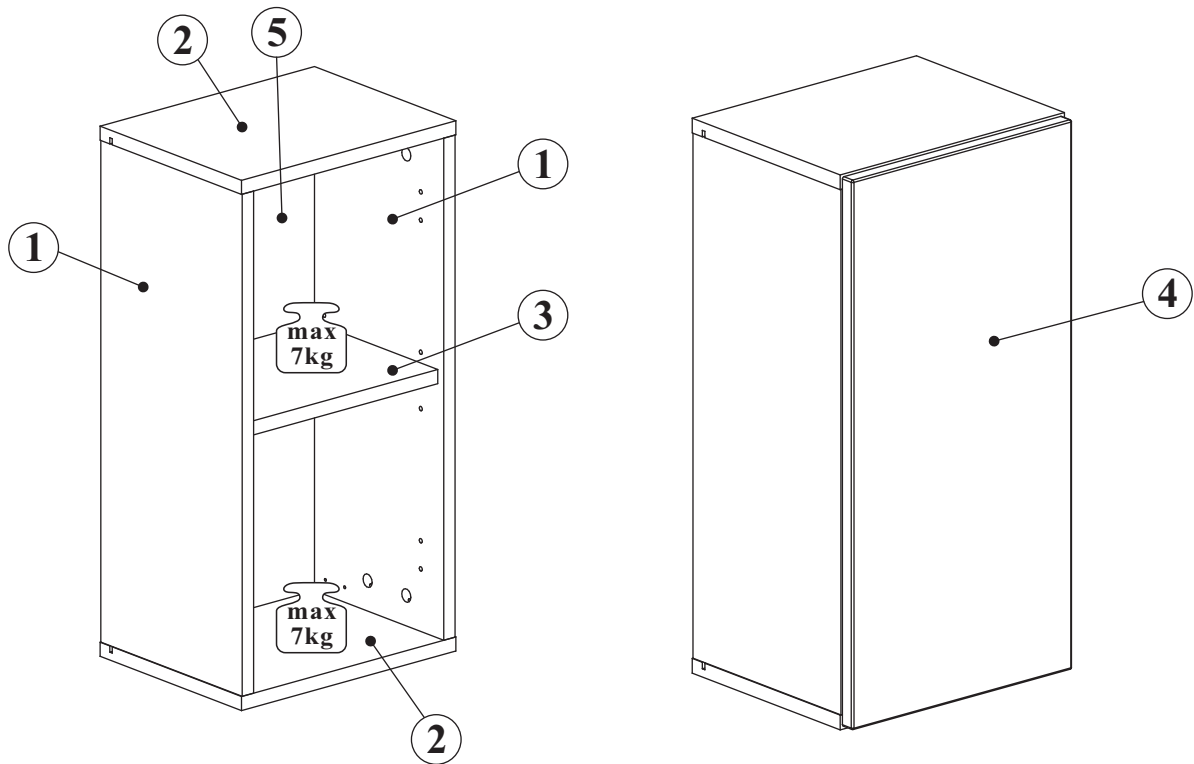
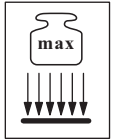
Z2	
x4	Ø5



10



SWITCH 27 -- SW SW 4

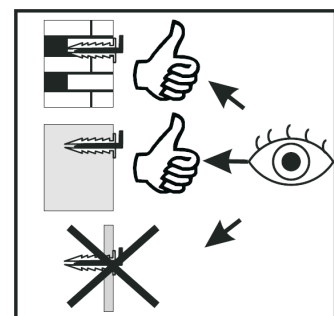
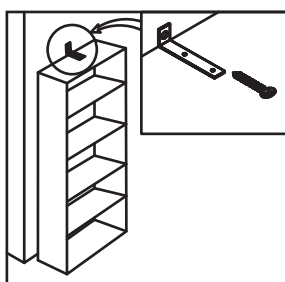
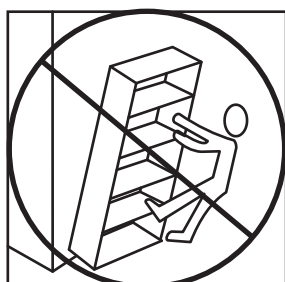
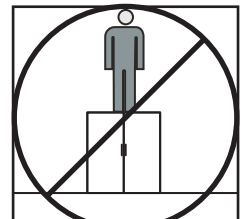
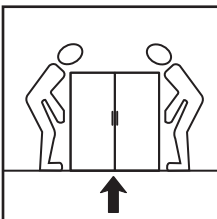
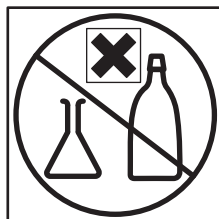
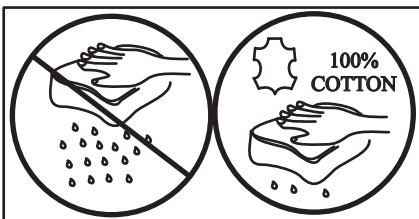
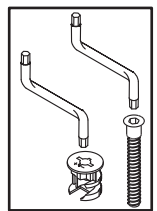
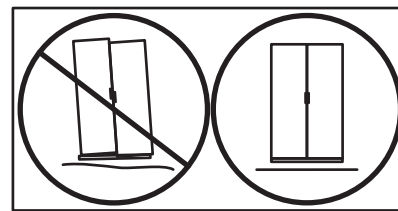
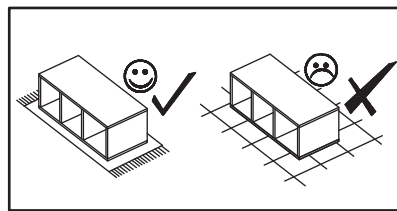
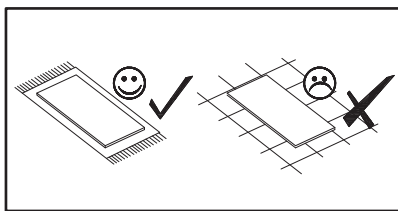
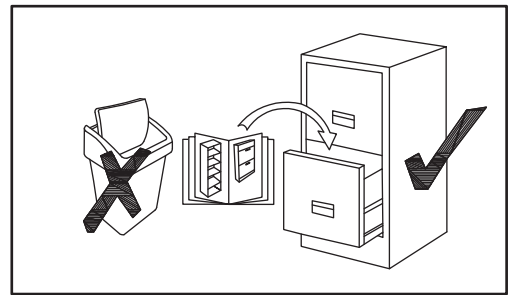
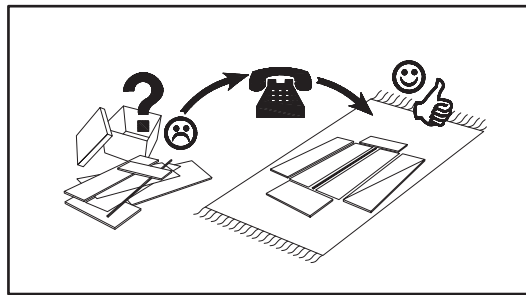
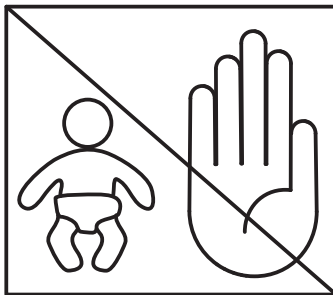
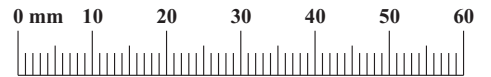


60 min

NO	Dim.			Col-No	Qty
1	570	234	16	1	2
2	302	234	16	1	2
3	268	204	16	1	1
5	582	280	3	1	1
4	296	596	16	1	1

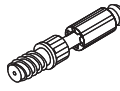
SWITCH SW 4

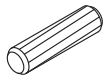
A1 x8 ø8x36	B4 x8	G5 x8	B5 x8 ø15x12	ZR1 x2	D6 x4 USØ3,5x30
E1 x2 Ø26 H=0	E2 x2 H=0	D10 x6 USØ3,5x13	T1 x1	S1 x6	KR2 x2 Ø8
G7 x4	G2 x1	Z2 x4 Ø5			

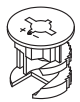


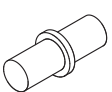
SWITCH SW 4

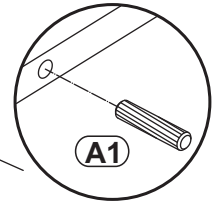
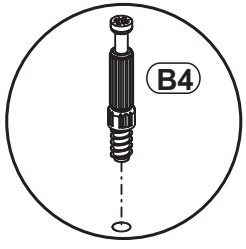
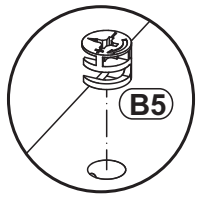
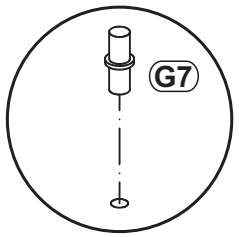
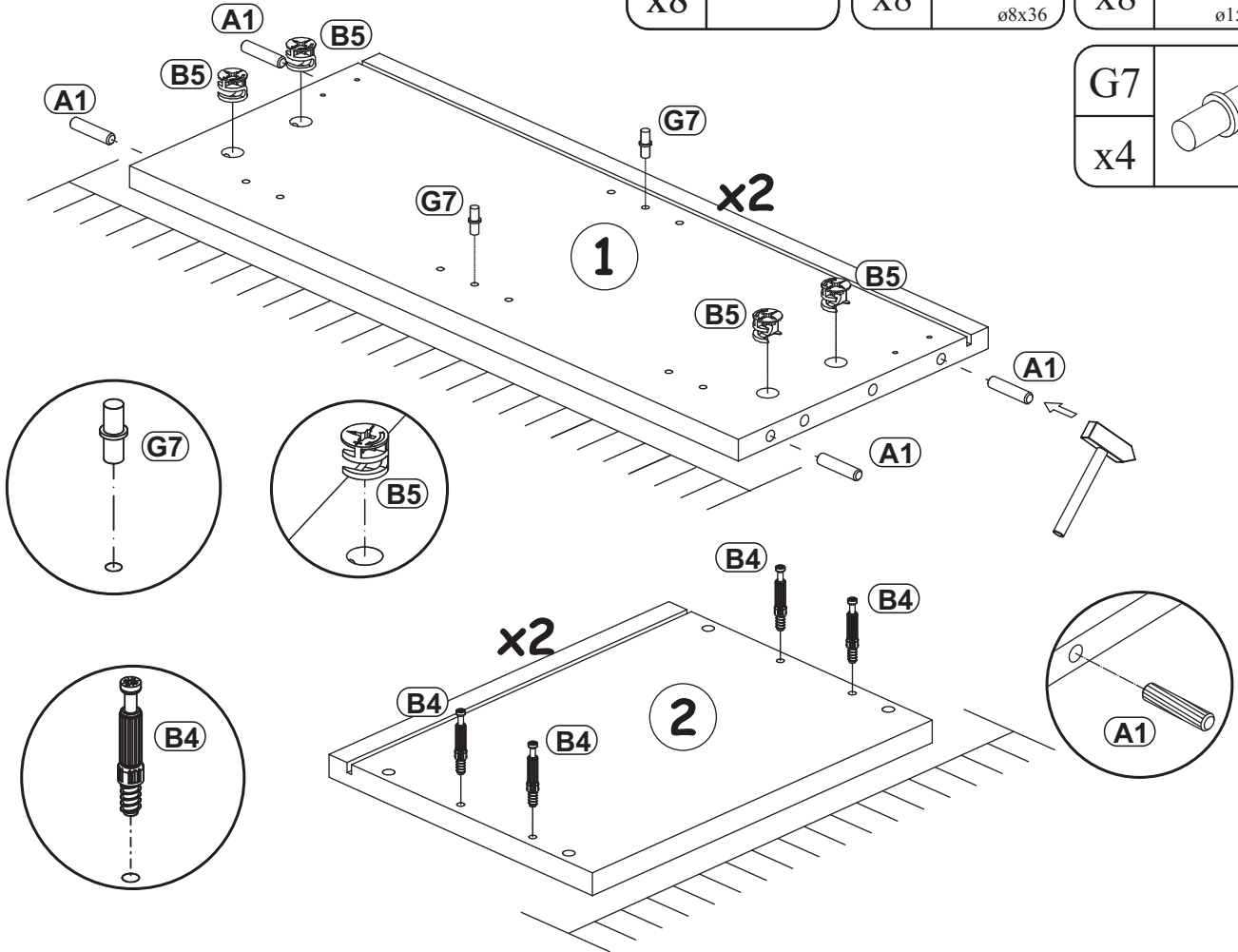
1

B4	
x8	

A1	
x8	ø8x36


B5	
x8	ø15x12

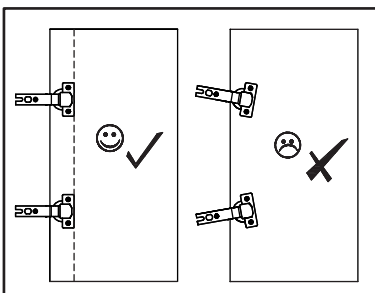
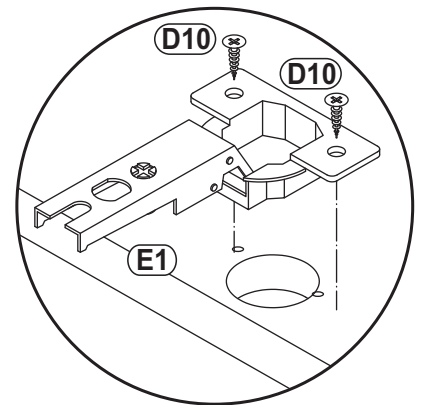
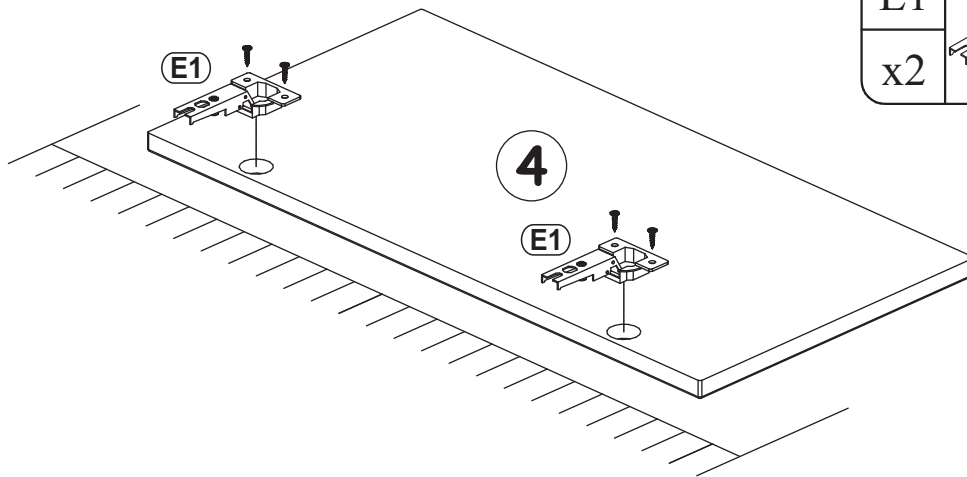
G7	
x4	



2

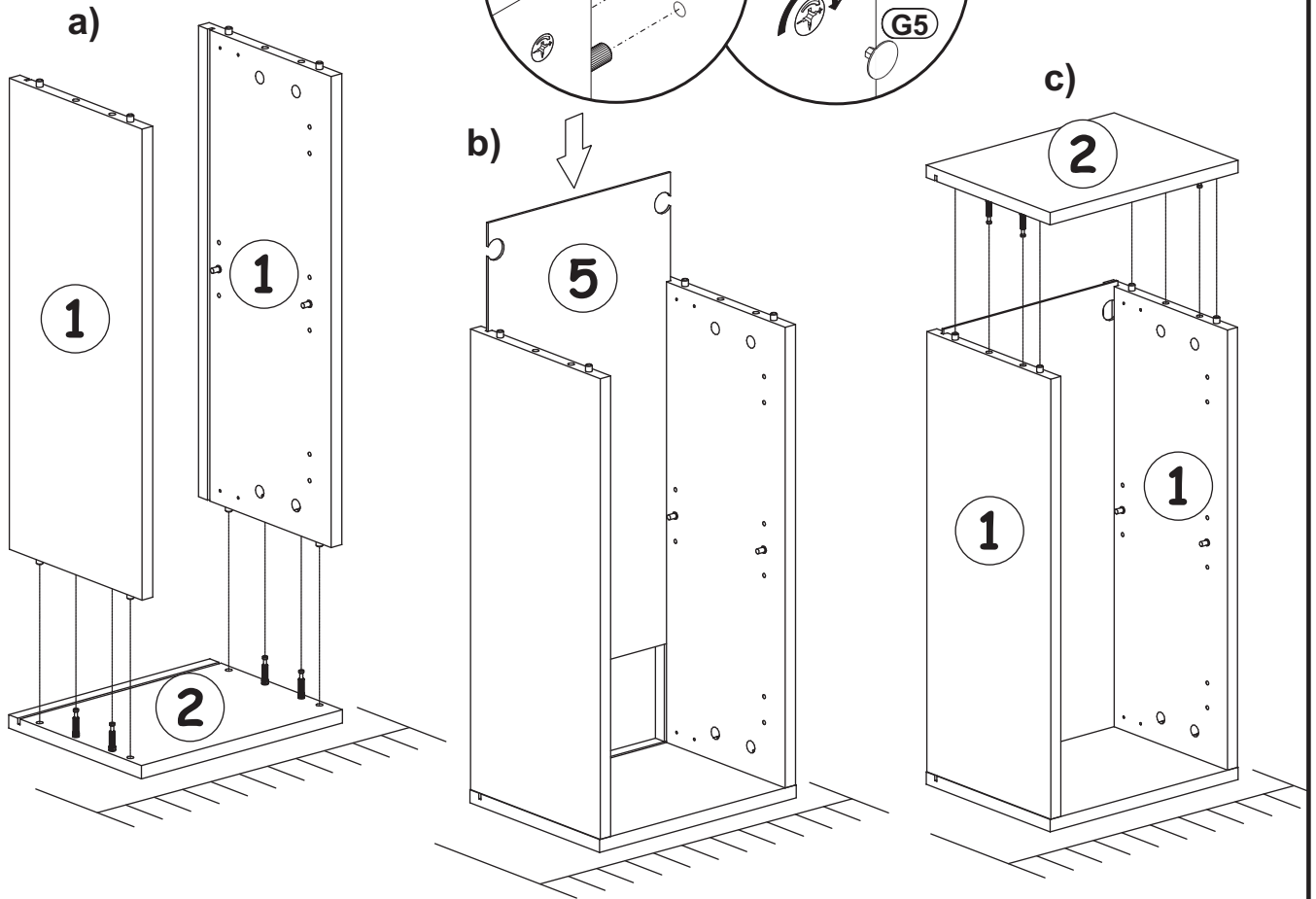
E1	Ø26
x2	H=0

D10	
x4	USØ3,5x13

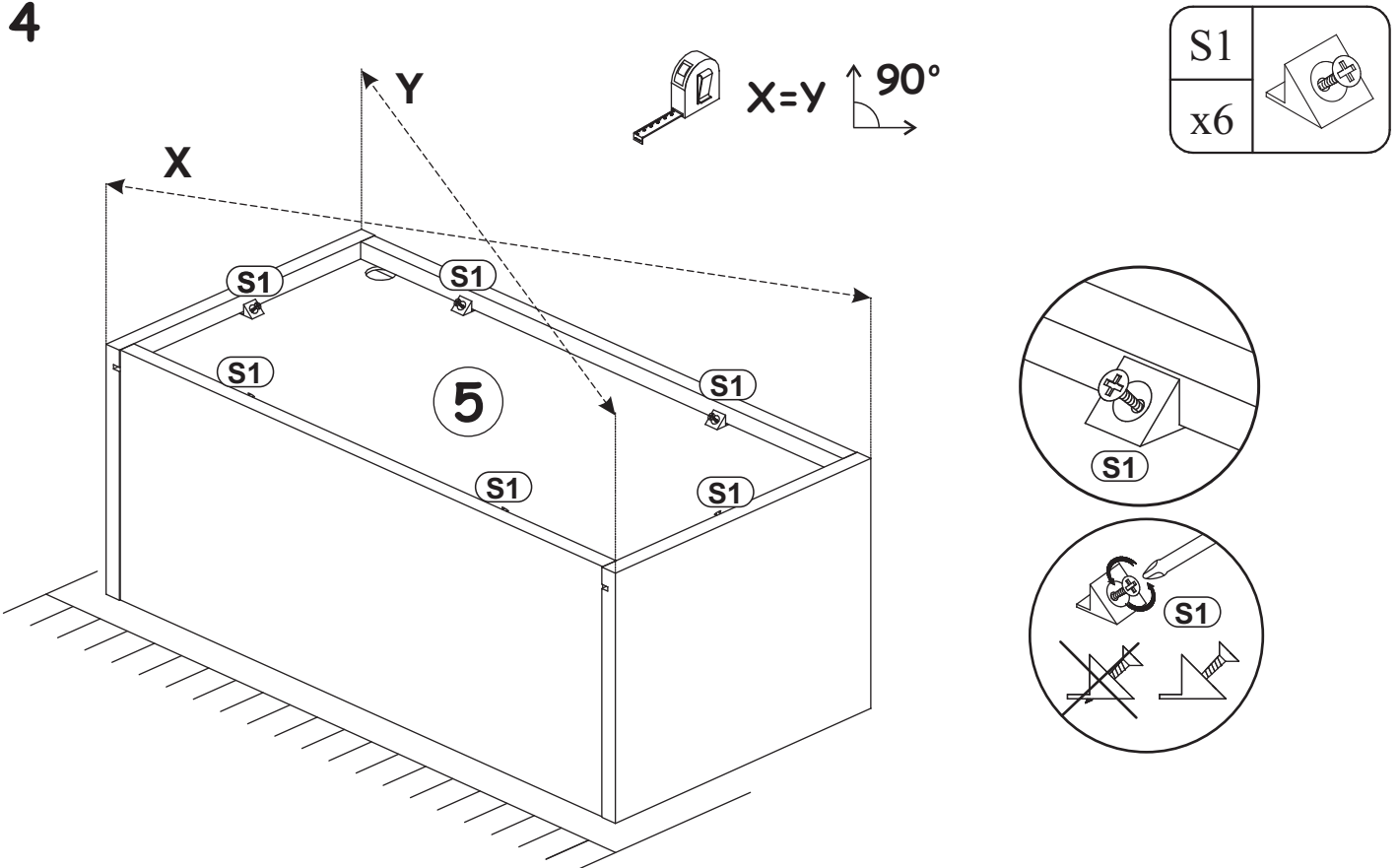


SWITCH SW 4

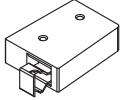

3



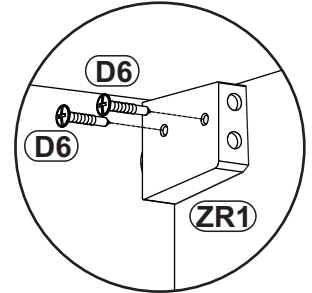
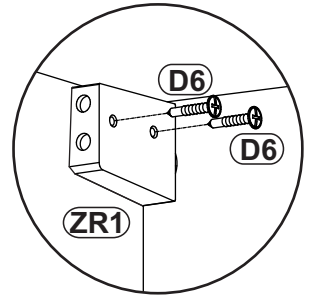
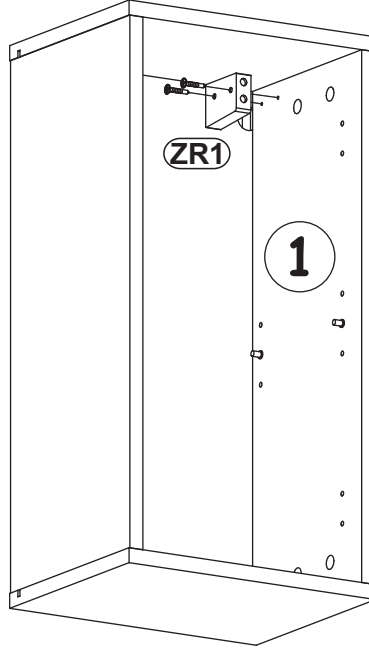
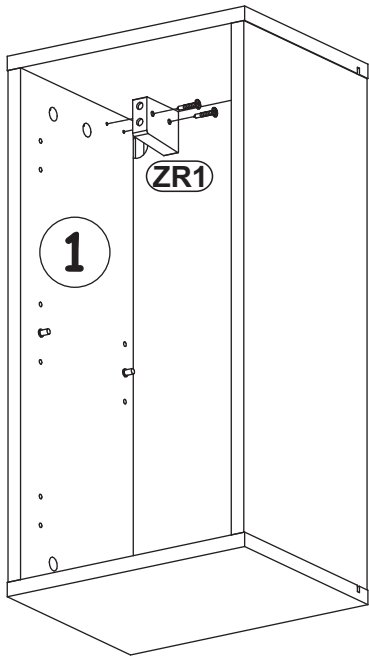
4



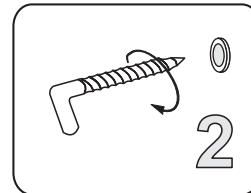
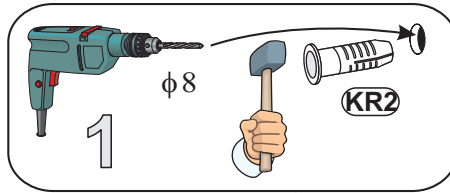
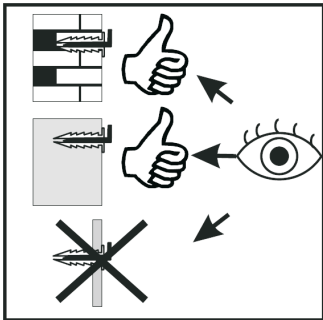
SWITCH SW 4

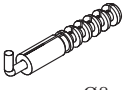
ZR1		D6	
x2		x4	USØ3,5x30

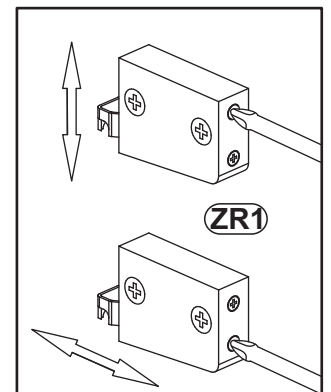
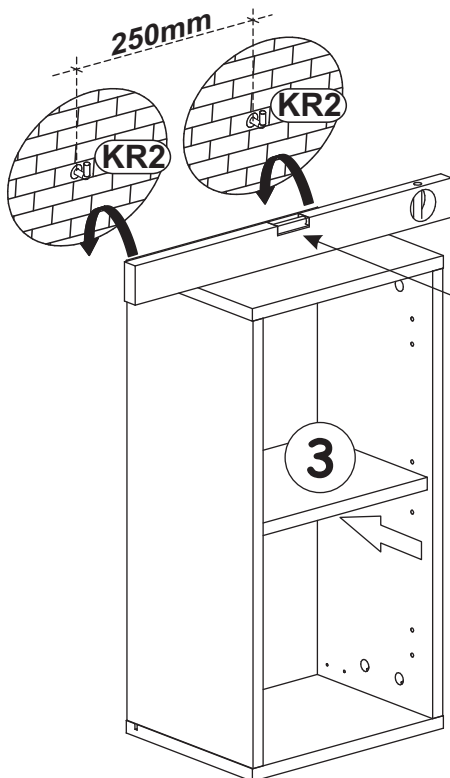
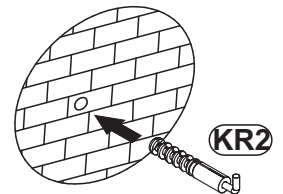
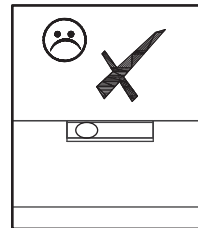
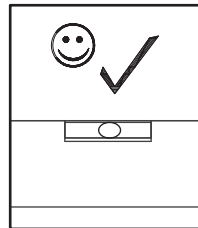
5



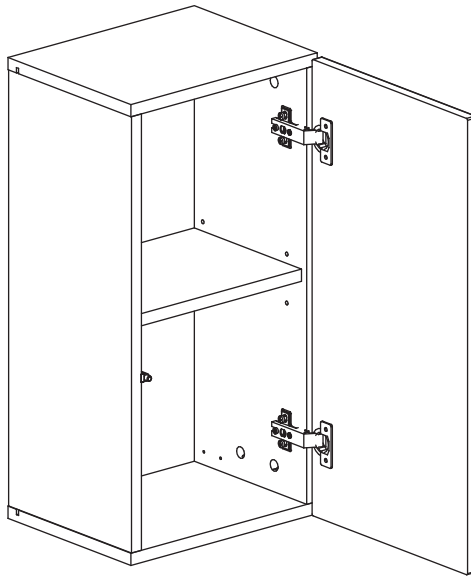
6



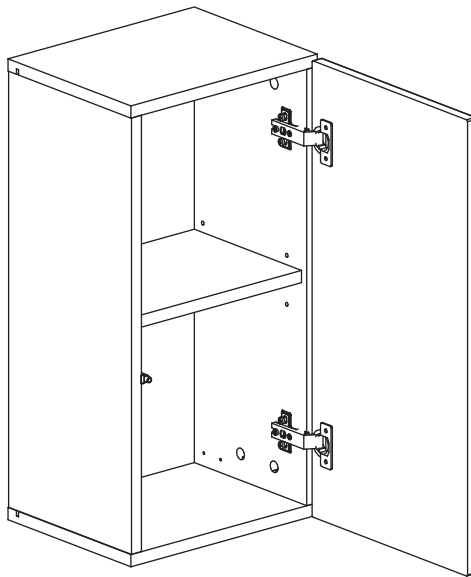
KR2	
x2	Ø8



7 - 8

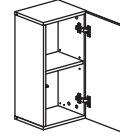
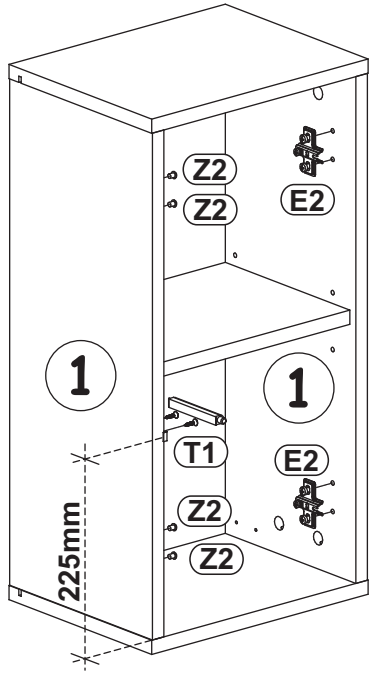
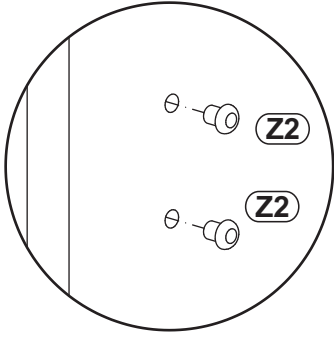



9 - 10

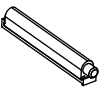



SWITCH SW 4

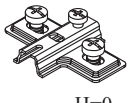
7

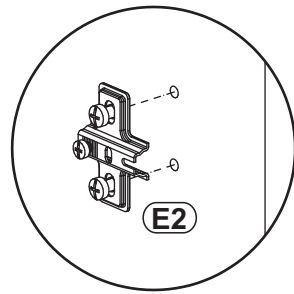
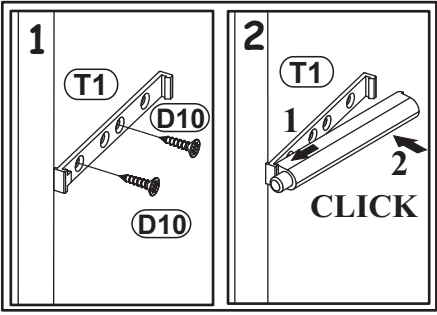


D10	
x2	USØ3,5x13

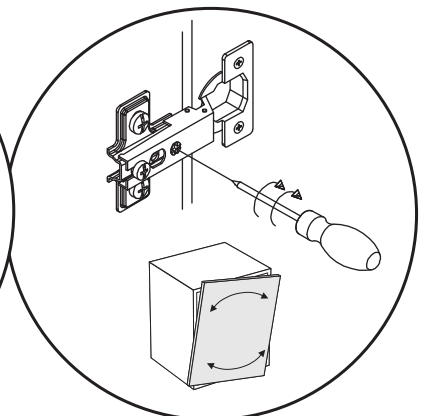
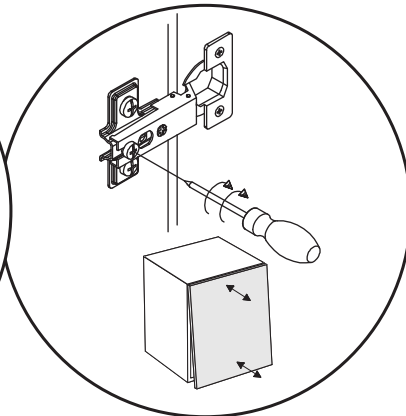
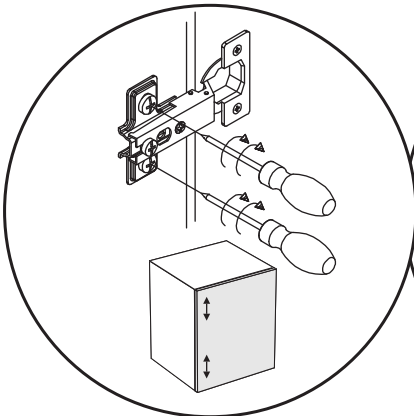
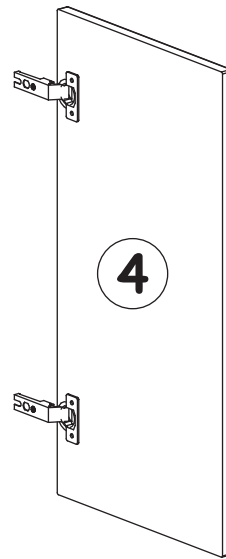
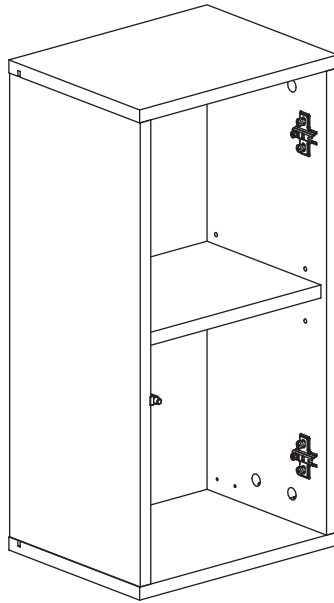
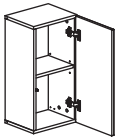
T1	
x1	

Z2	
x4	Ø5

E2	
x2	H=0

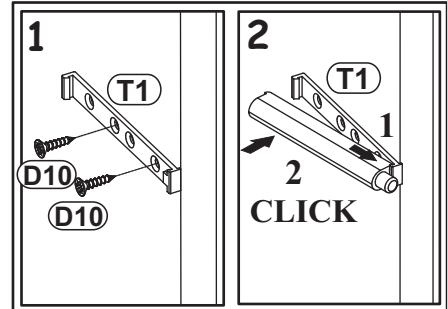
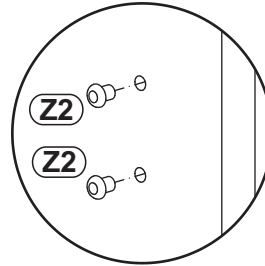
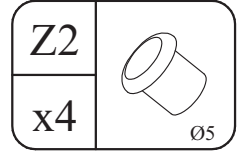
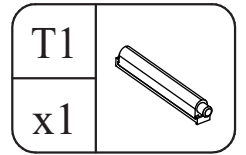
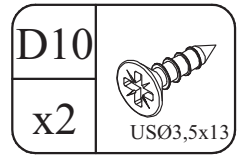
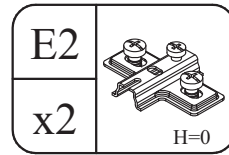
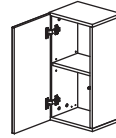
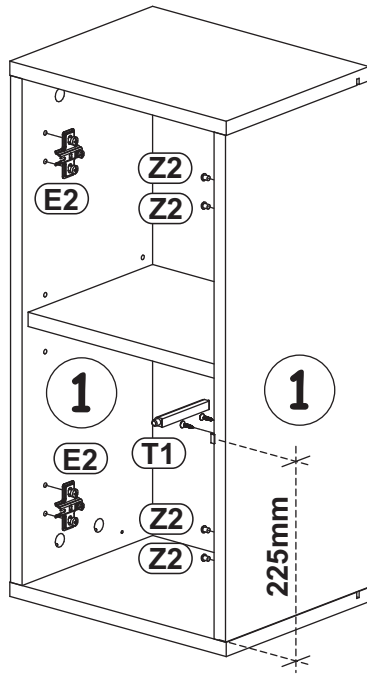
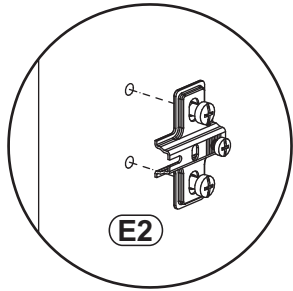


8

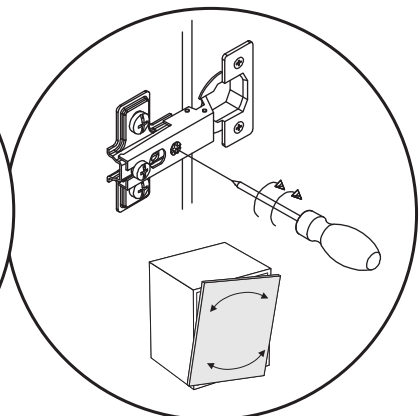
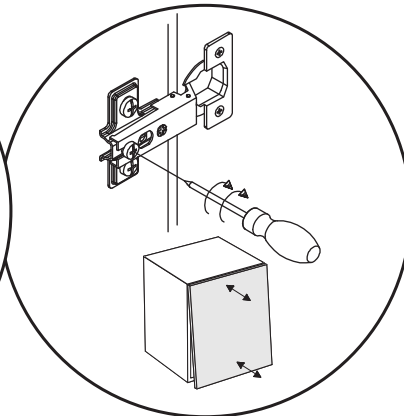
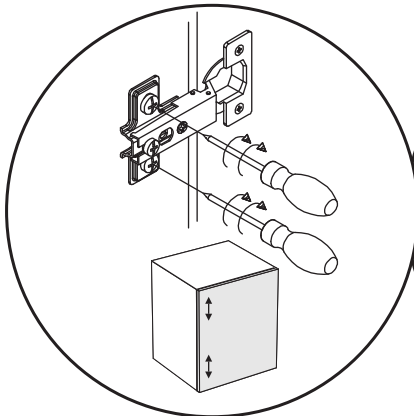
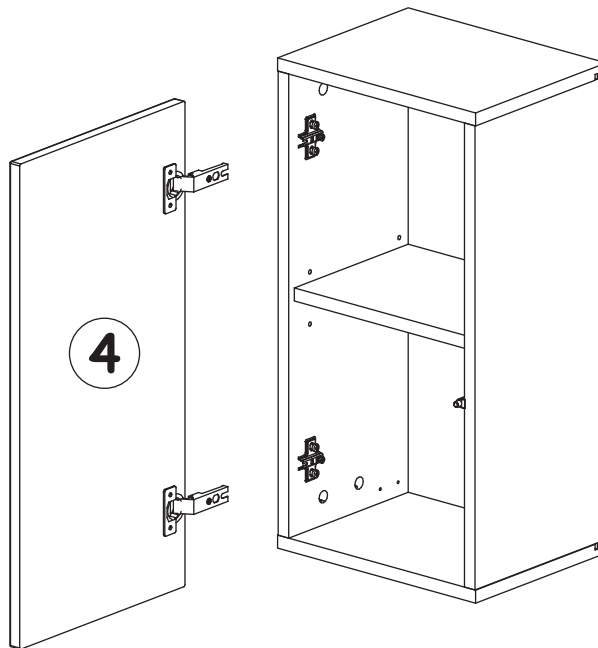
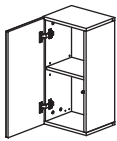


SWITCH SW 4

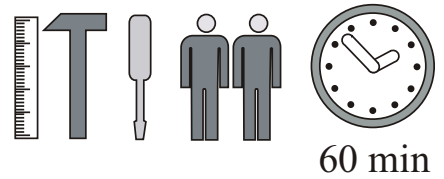
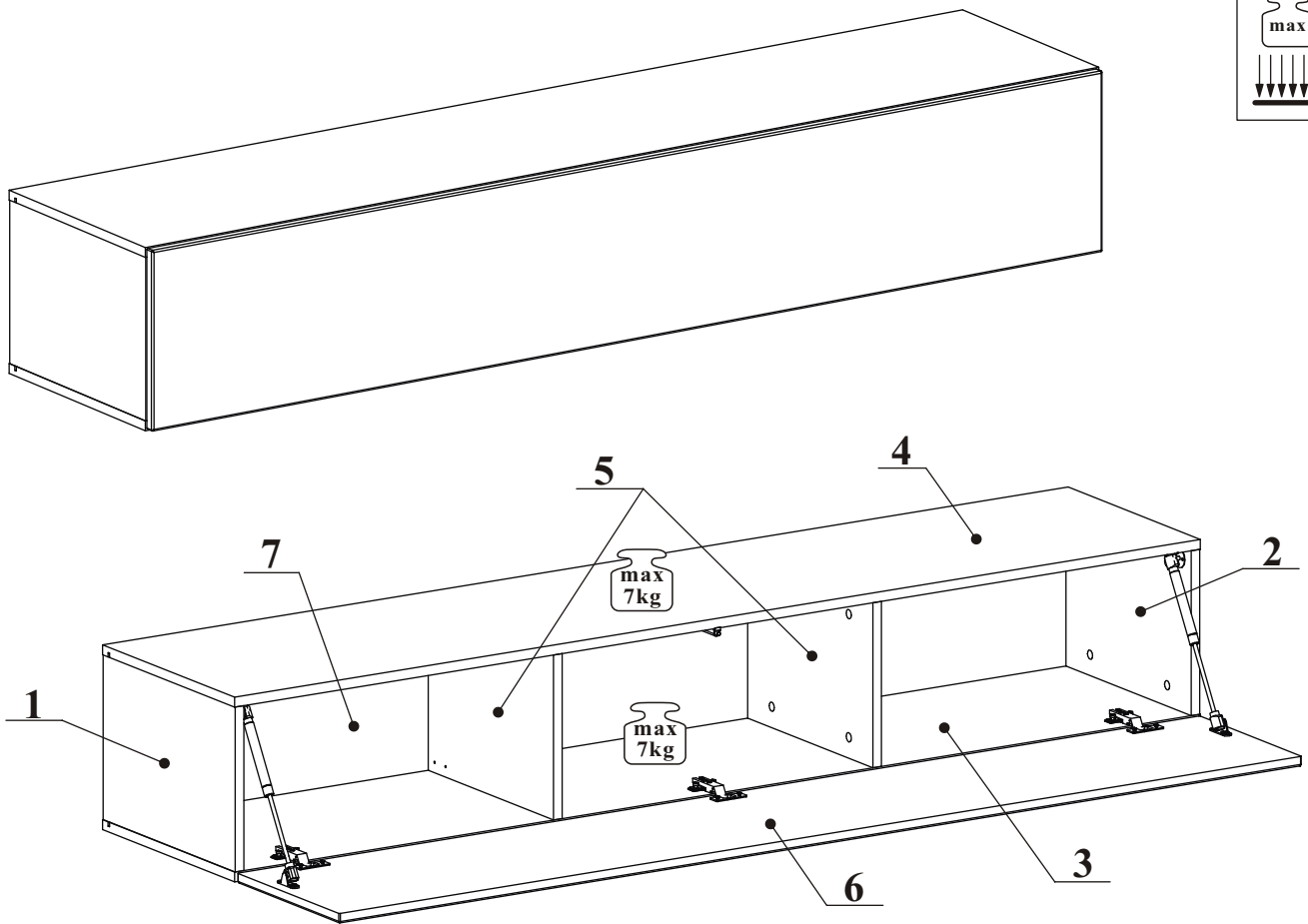
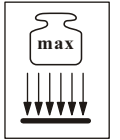
9



10



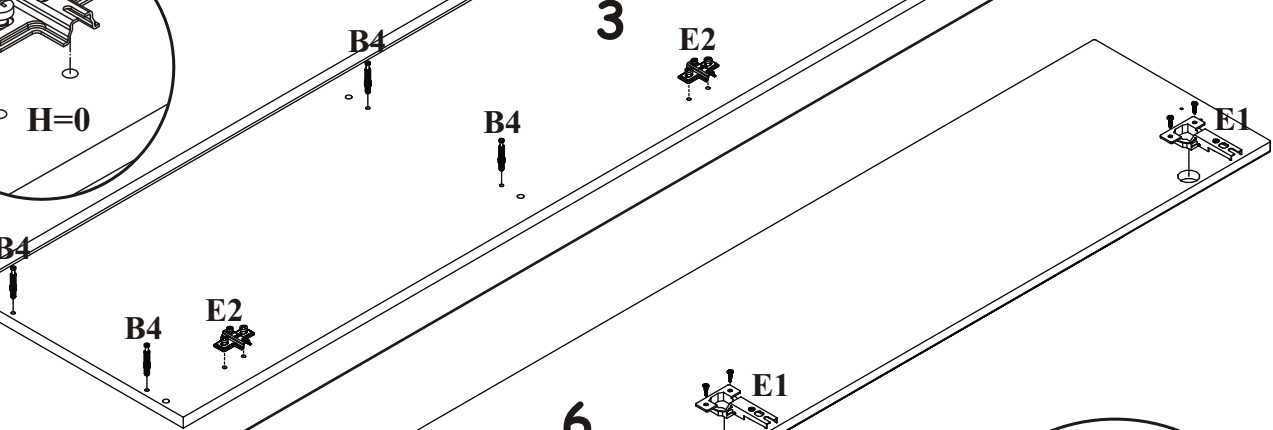
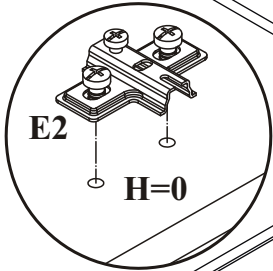
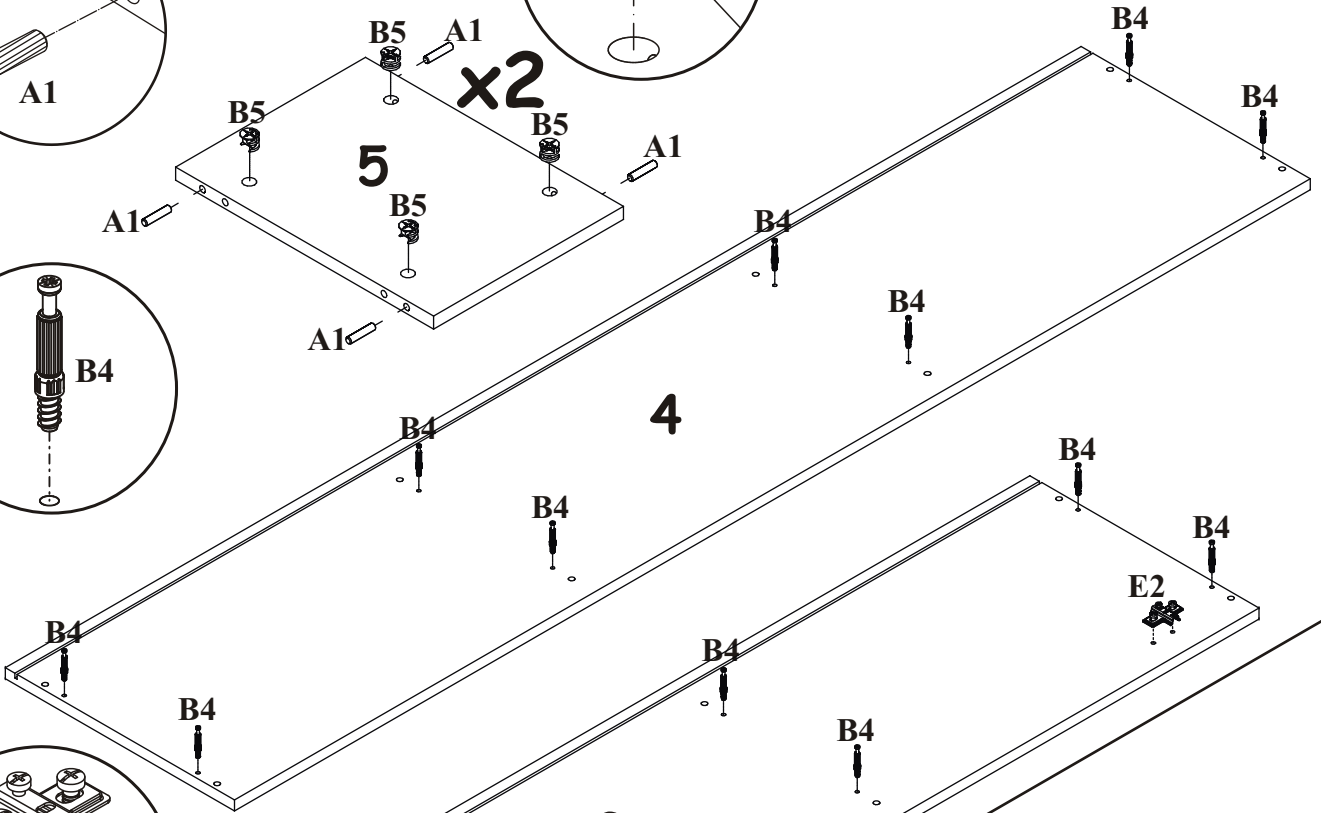
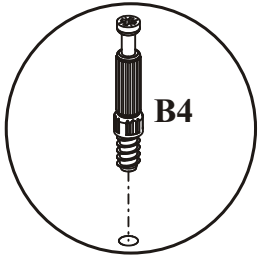
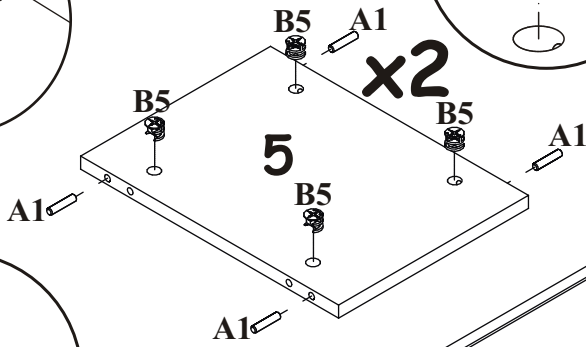
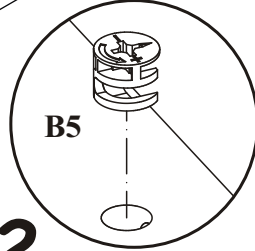
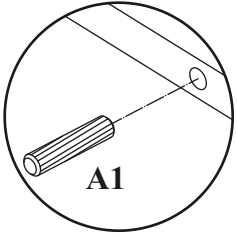
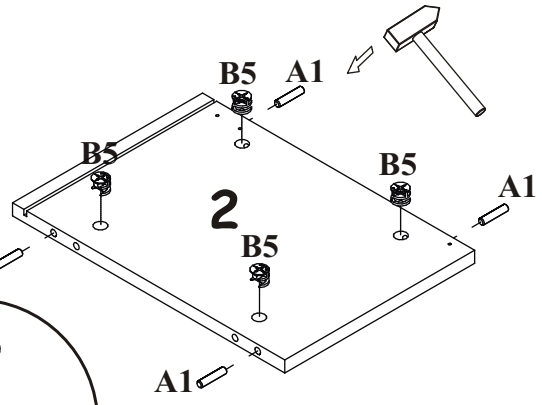
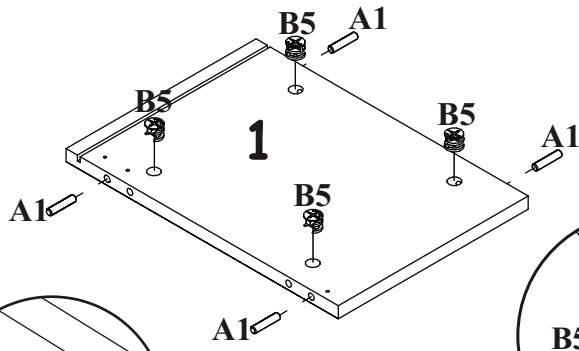
SWITCH RTV 1



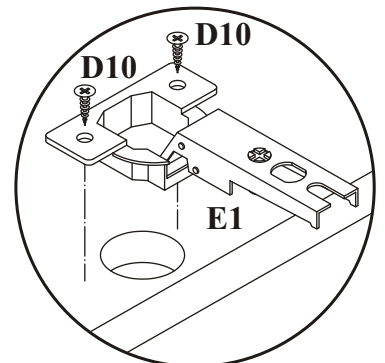
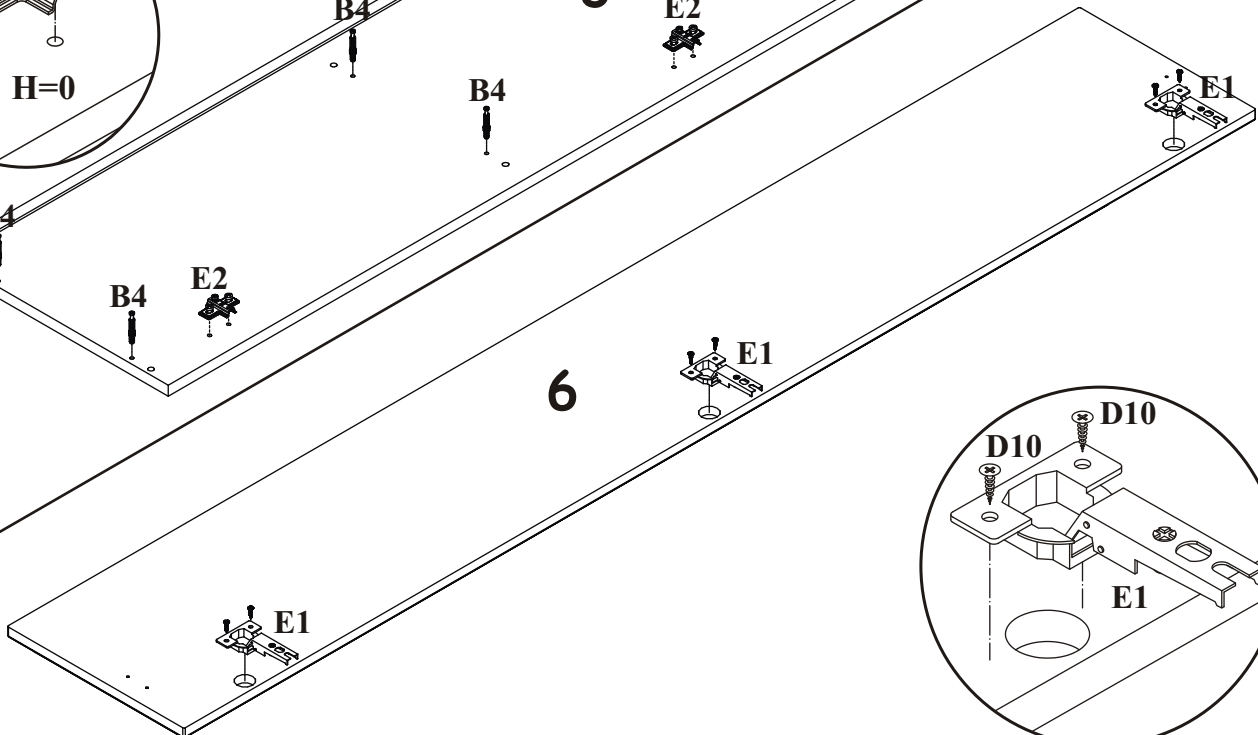
NO	Dim.		Col.-No	Qty
1	268	384	1	1
2	268	384	1	1
3	1802	384	1	1
4	1802	384	1	1
5	268	364	1	2
7	1780	280	1	1
6	1796	296	1	1

SWITCH RTV 1

1

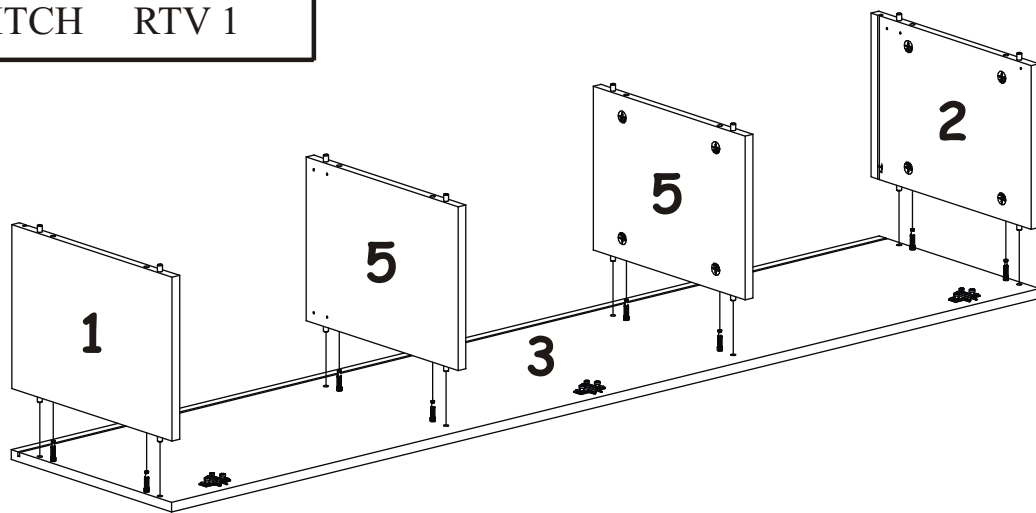


2

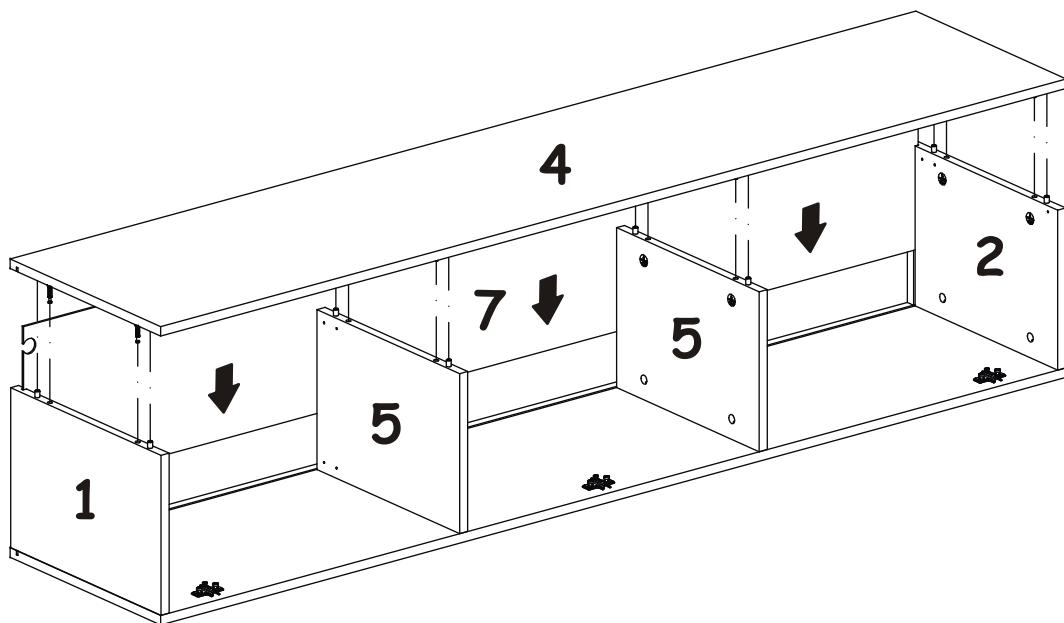


SWITCH RTV 1

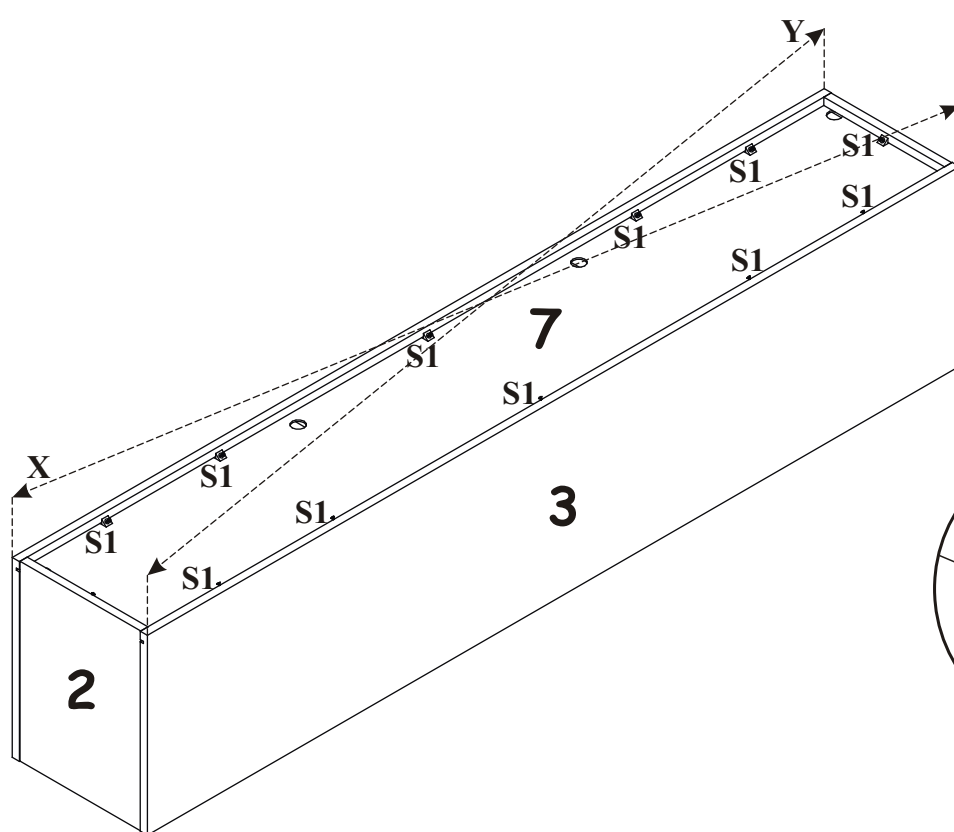
3



4

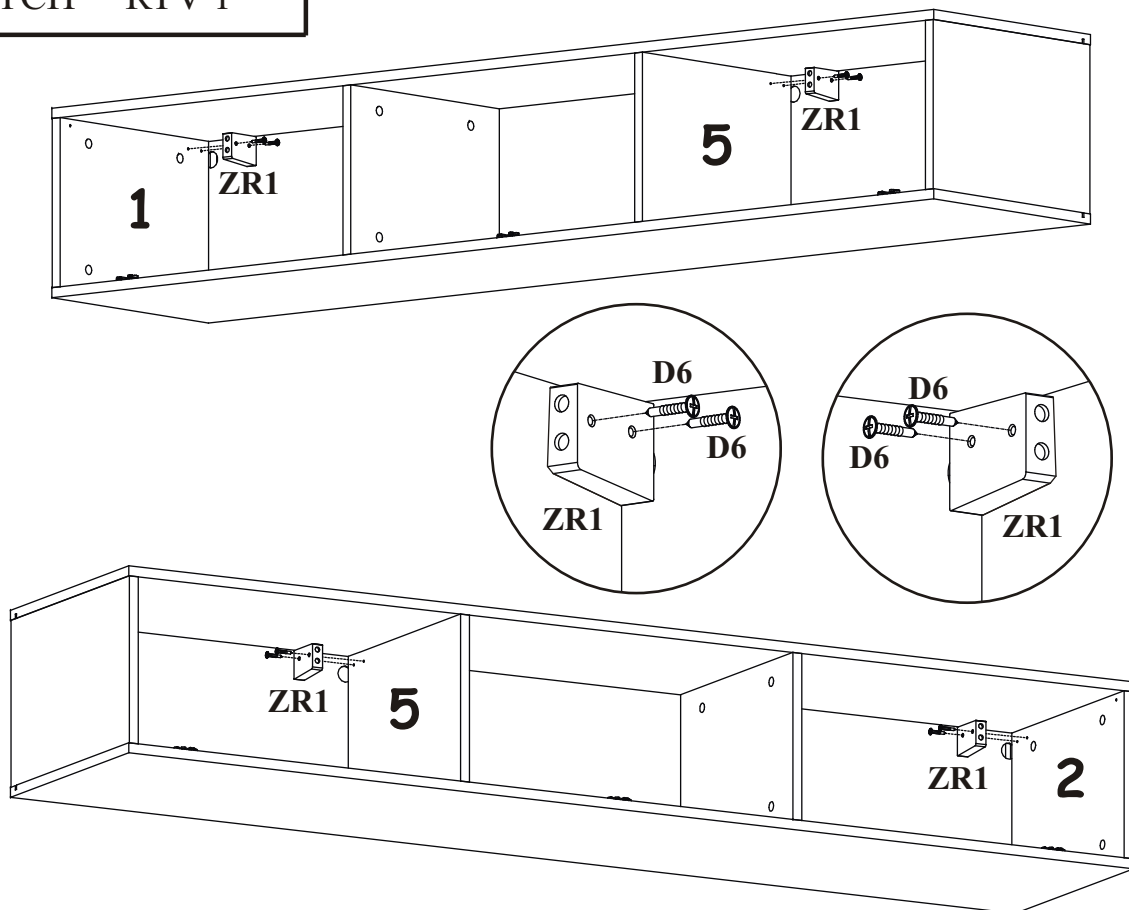


5

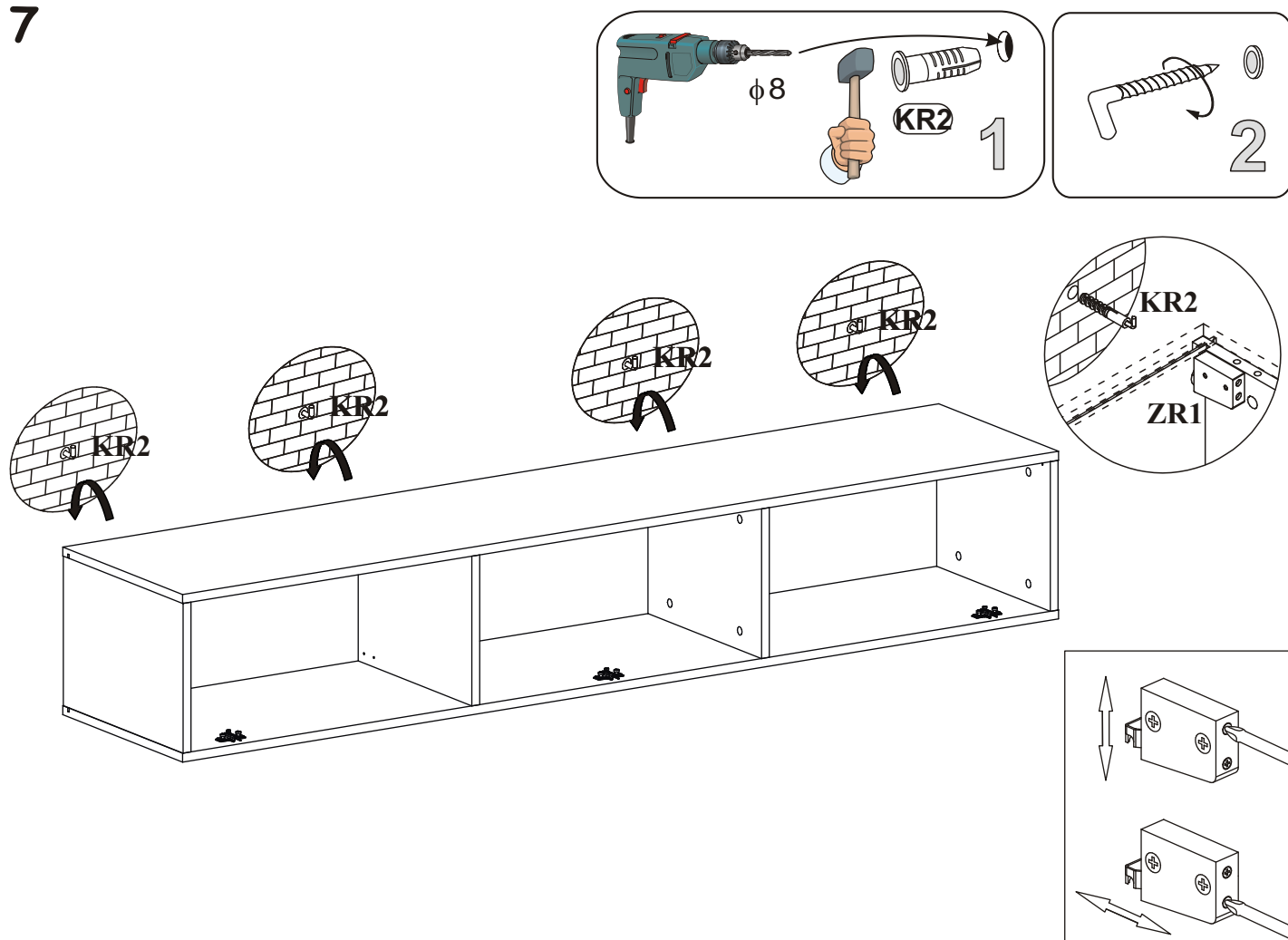


SWITCH RTV 1

6

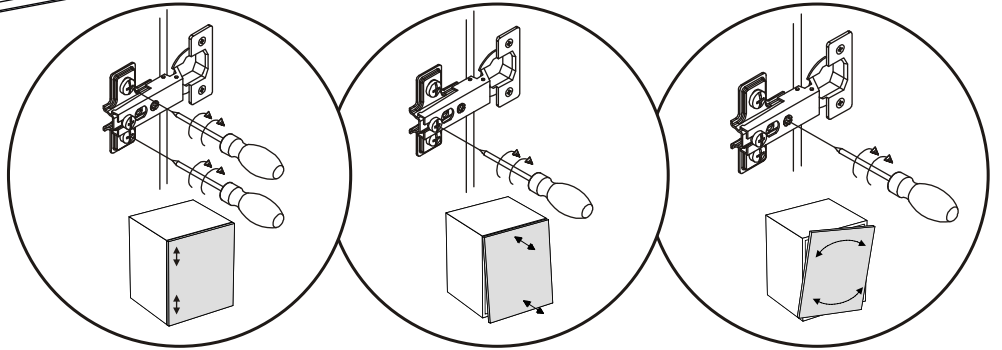
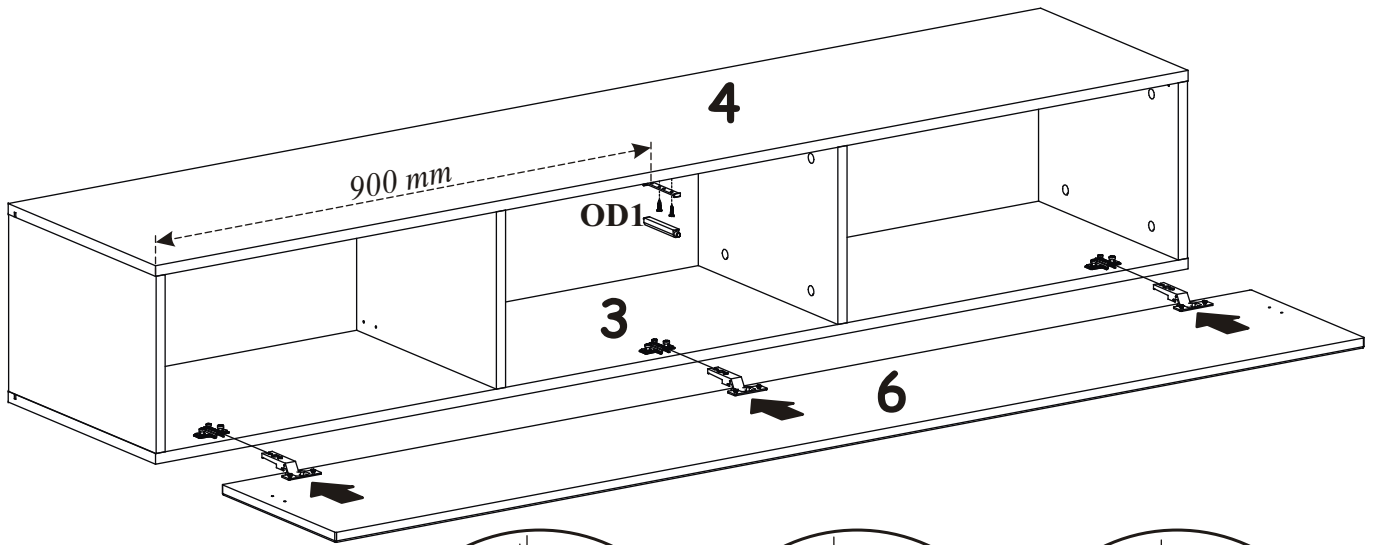
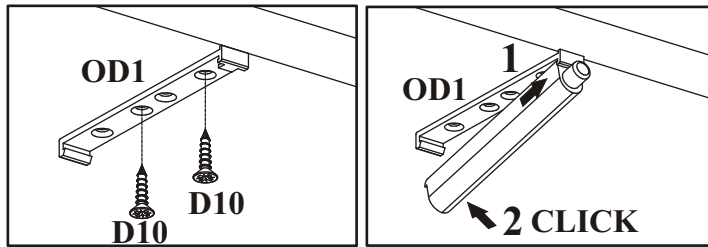


7

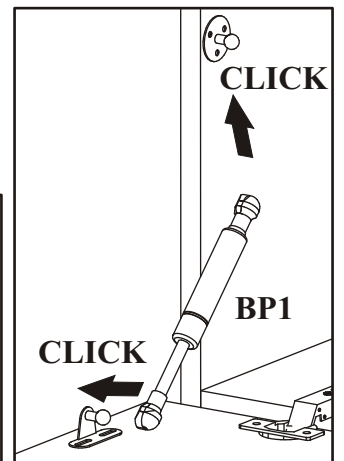
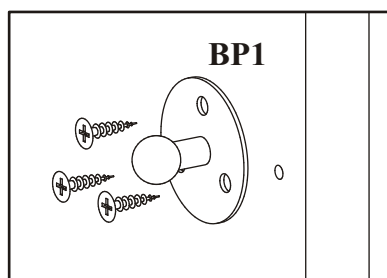
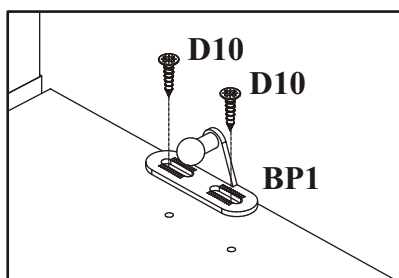
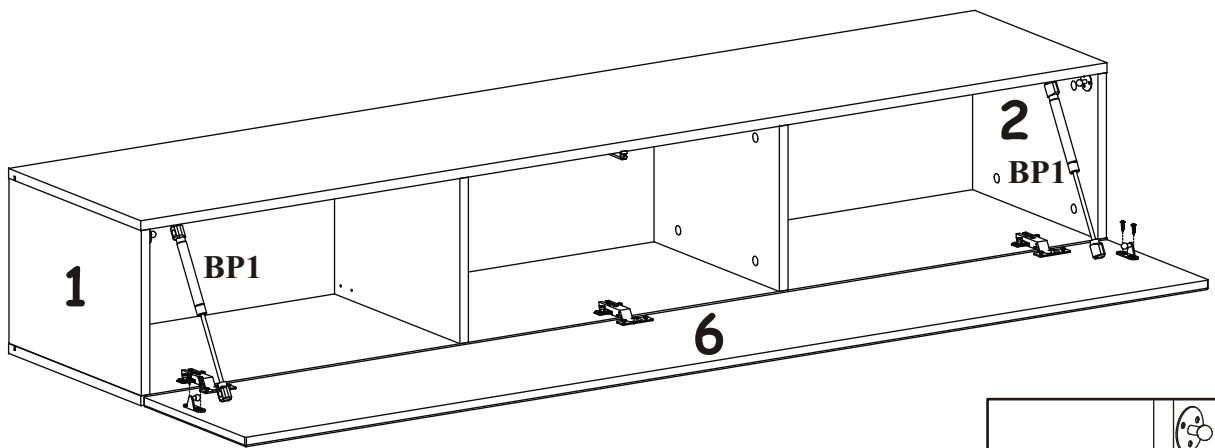


SWITCH RTV 1

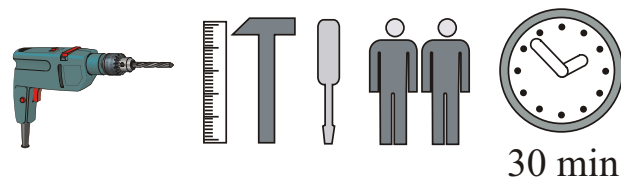
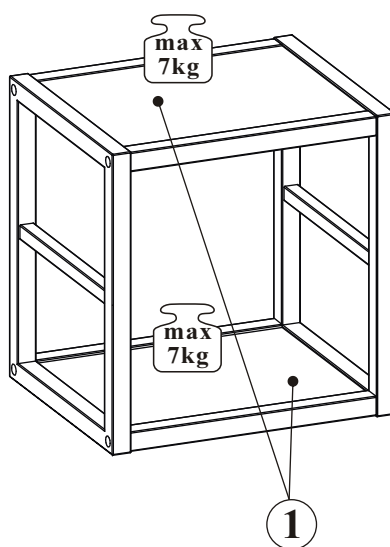
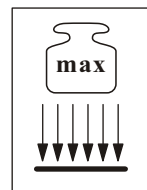
8



9


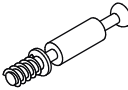


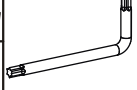
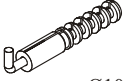




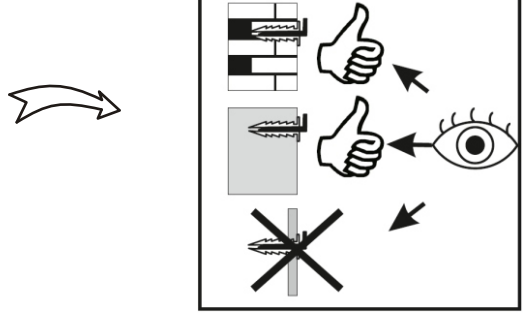
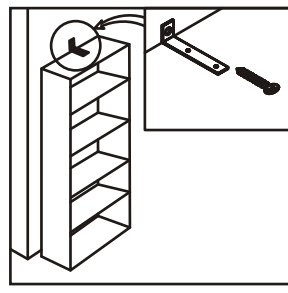
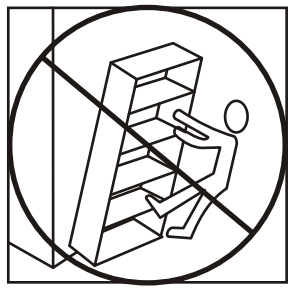
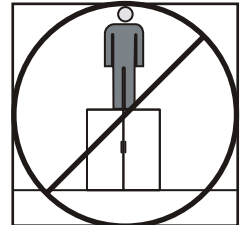
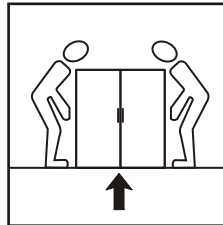
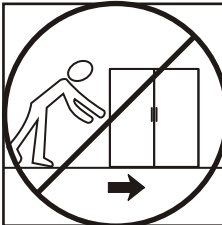
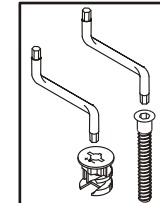
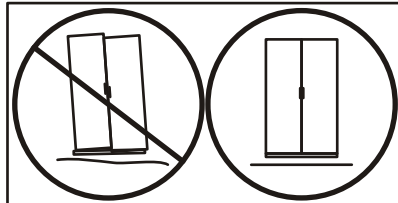
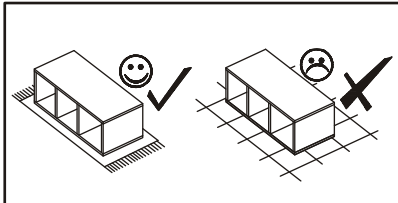
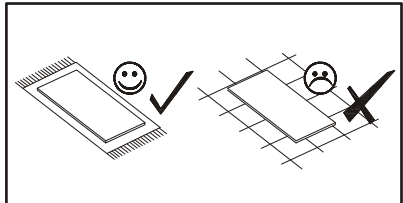
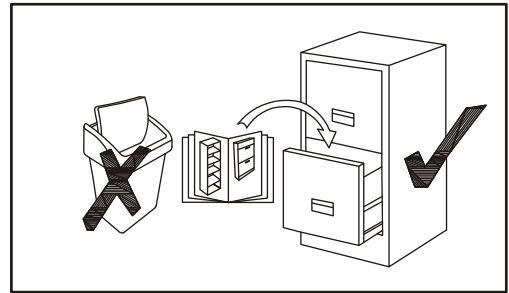
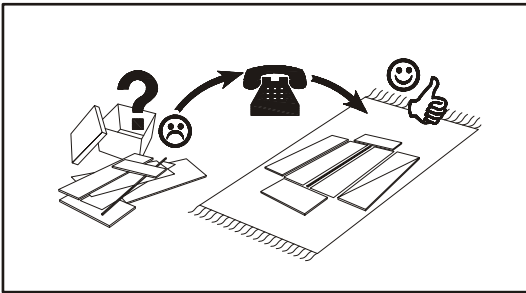
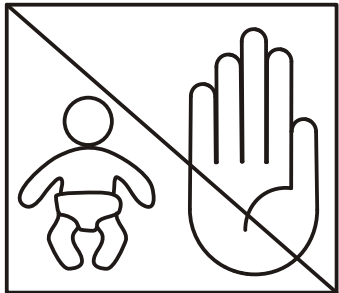
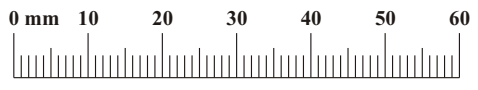
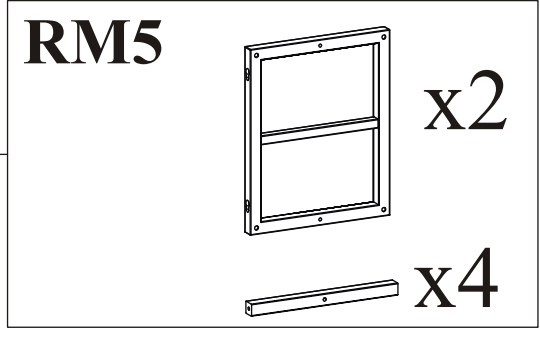
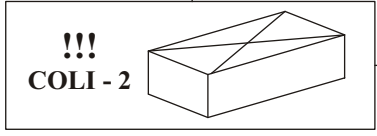
SWITCH 27_SW RM5



NO	Dim.			Col.-No	Qty
1	260	208	16	1	2

SWITCH 27__SW RM5

B5 x8	 Ø15x12	B20 x8		G5 x8		G2 x1		GSZ x1		KR3 x4	 Ø10
D60 x8	 M6x30	G12 x8	 Ø14								



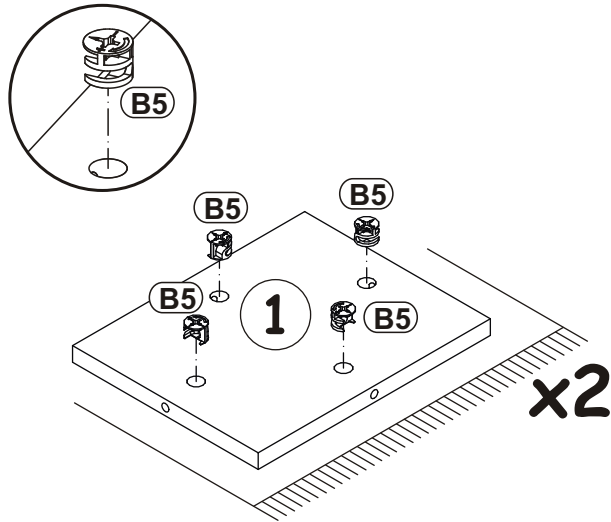
B5



x8

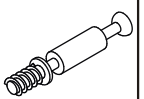
Ø15x12

1



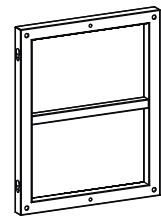
2

B20

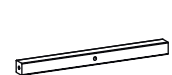
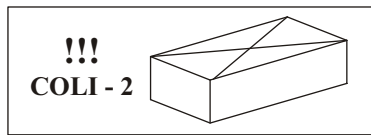


x8

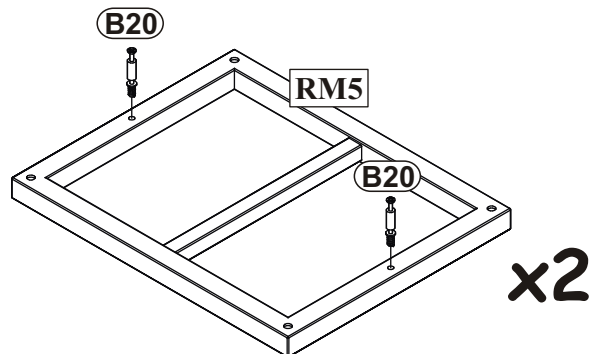
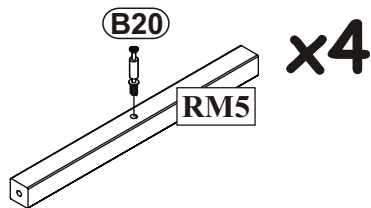
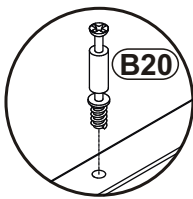
RM5



x2

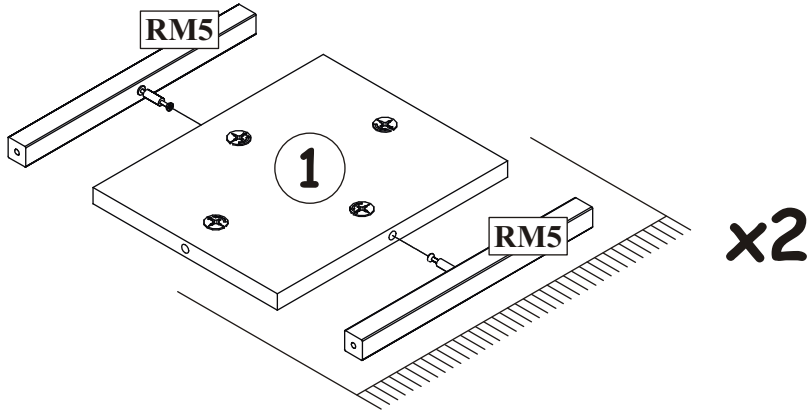


x4



SWITCH 27_SW RM5

3

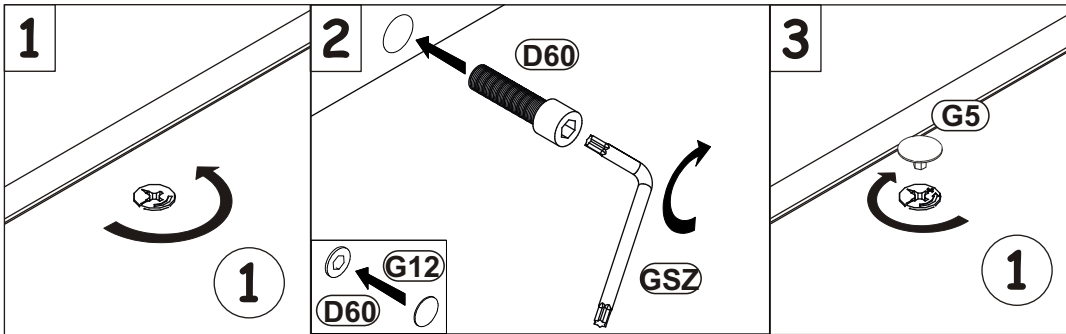


G5

x4



4



G5

x4



D60

x8

M6x30



G12

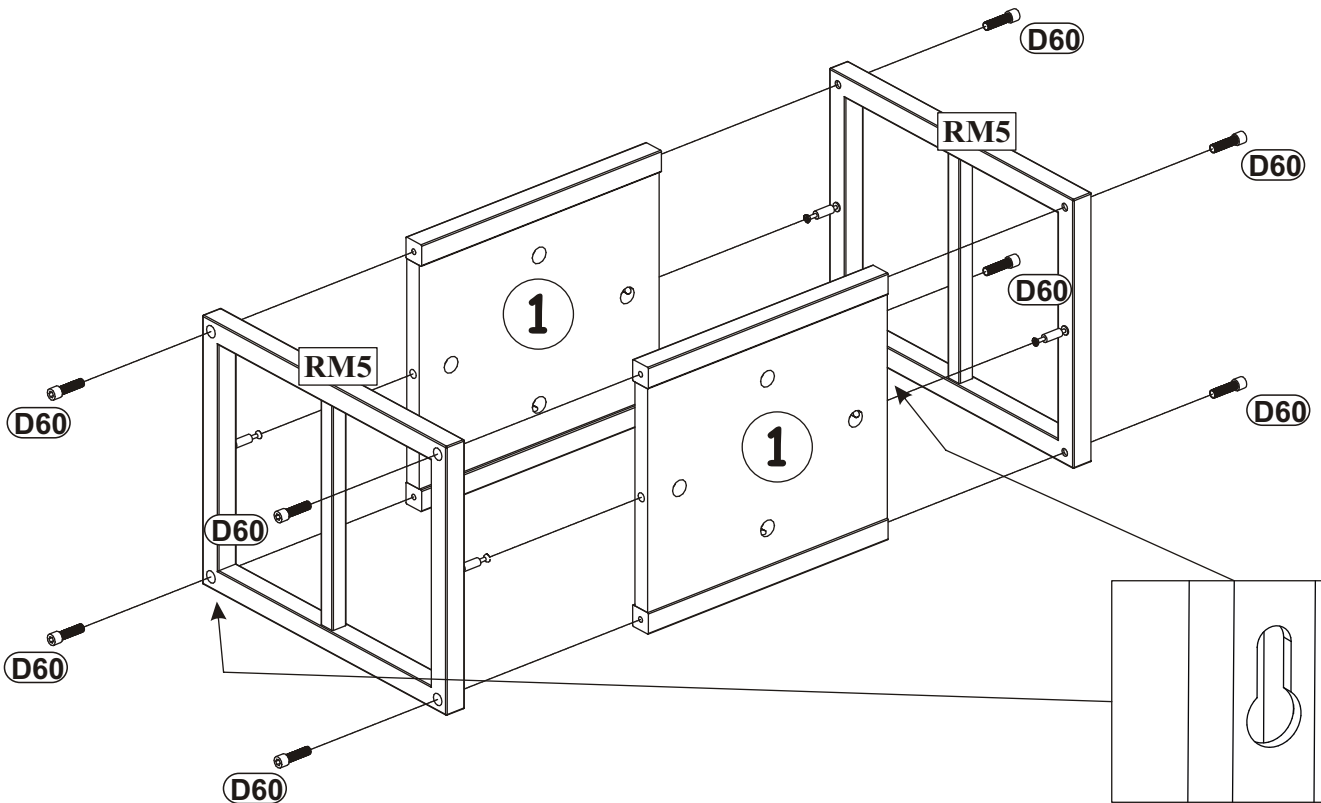
x8

Ø14

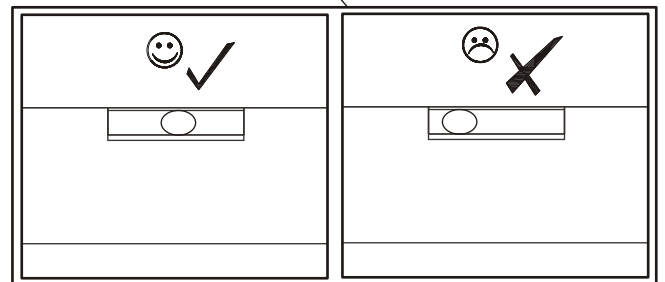
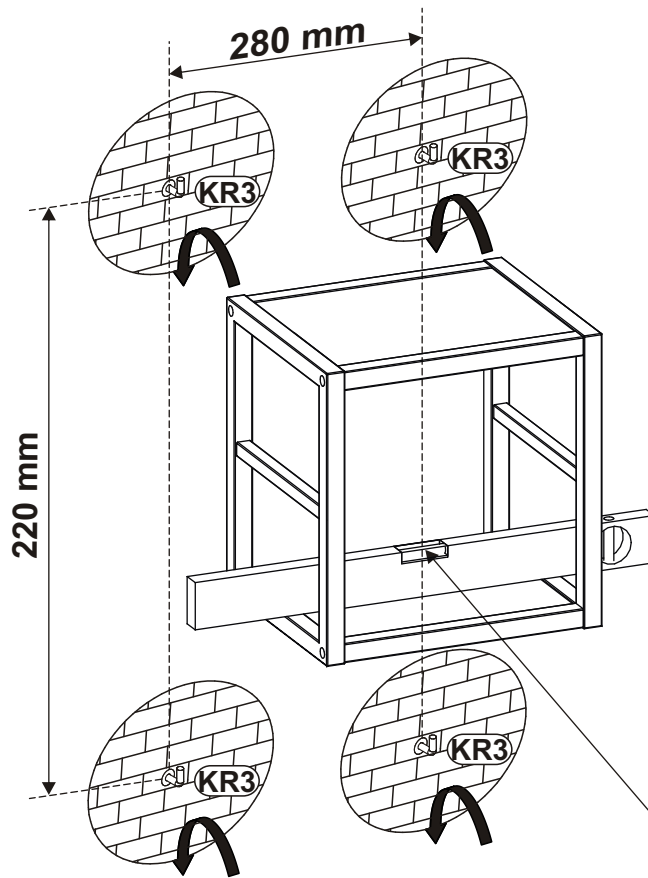
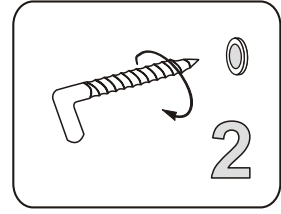
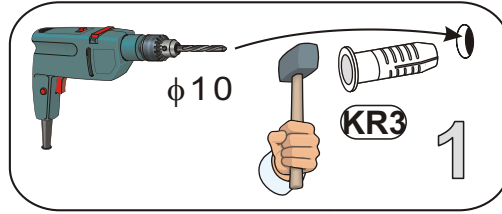
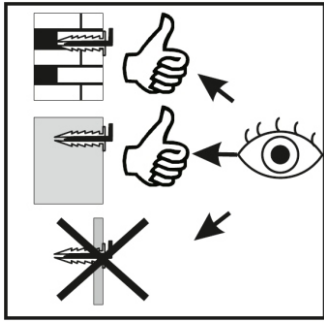
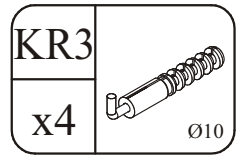


GSZ

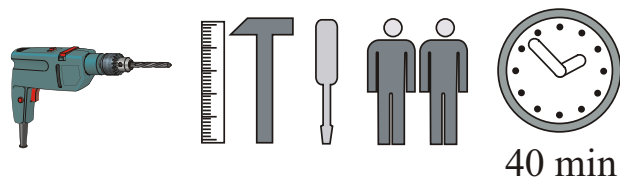
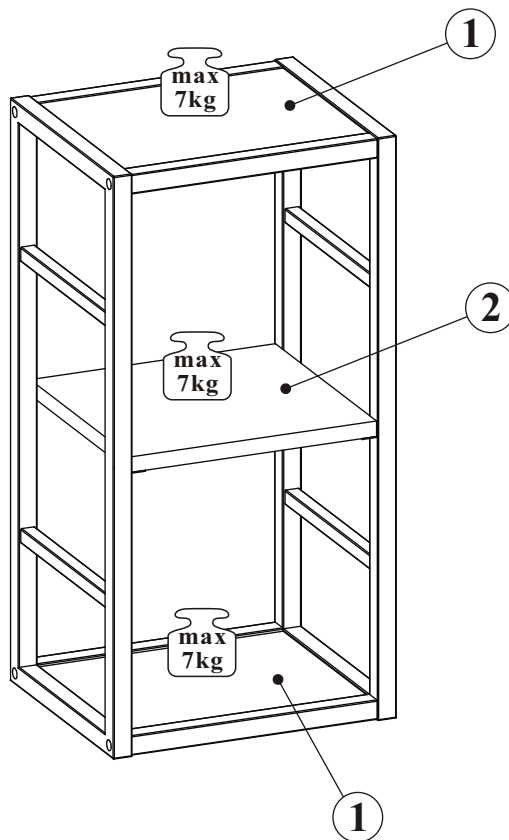
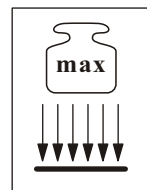
x1



5


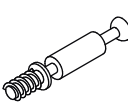

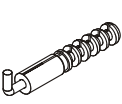
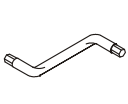



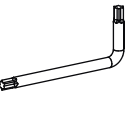


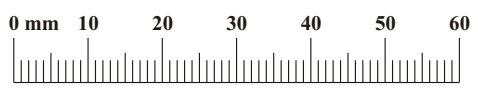
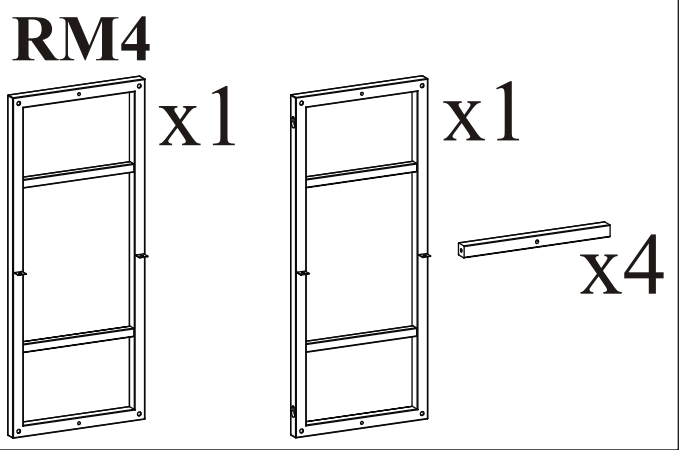
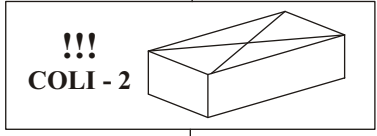
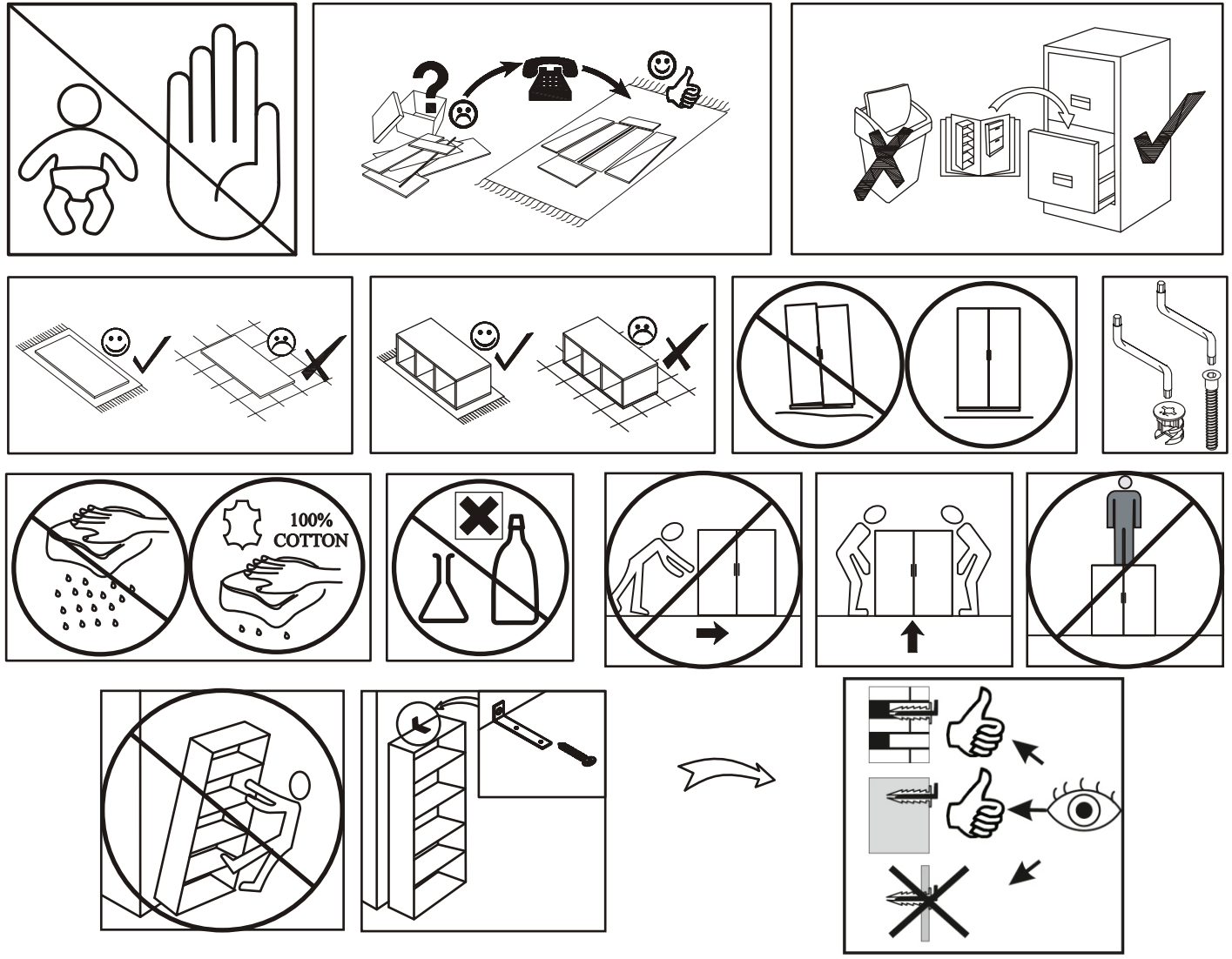
SWITCH 27_SW RM4



NO	Dim.			Col.-No	Qty
1	260	208	16	1	2
2	260	245	16	1	1

SWITCH 27_SW RM4

B5 x8	 Ø15x12	B20 x8		G5 x8		KR3 x4	 Ø10	G2 x1		UP13 x4	 UPØ3x16
D60 x8	 M6x30	G12 x8	 Ø14	GSZ x1							

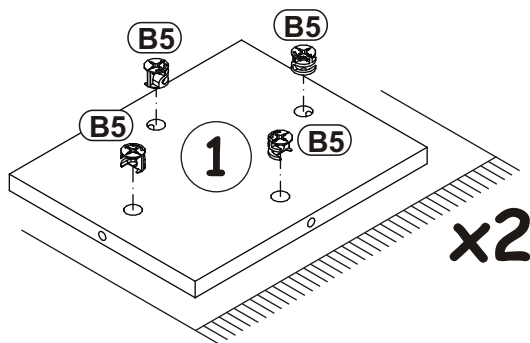
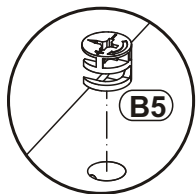
- No children or hands near the product.
 - Use a telephone to call for help if needed.
 - Place the product on a soft surface like a rug.
 - Do not place the product on a hard floor.
 - Do not open the doors.
 - Use the correct tools for assembly.
 - Do not touch the sharp edges.
 - Use eye protection during assembly.
 - Do not use sharp tools carelessly.

B5

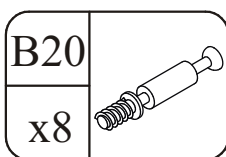
x8



1

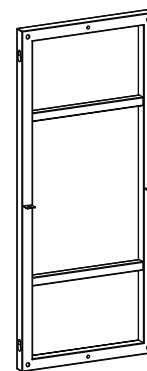


2

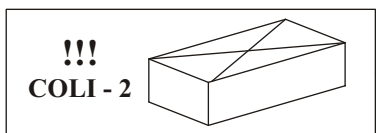


RM4

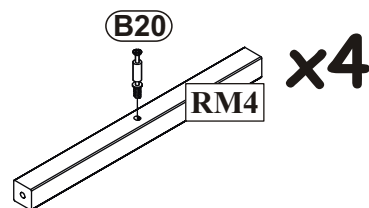
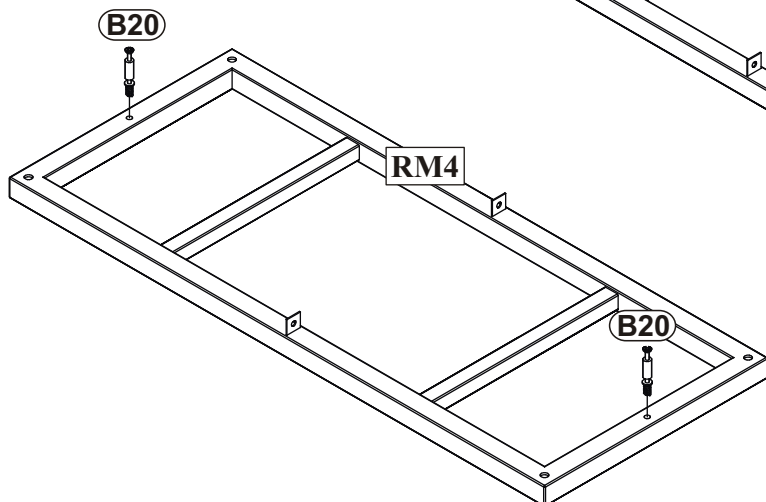
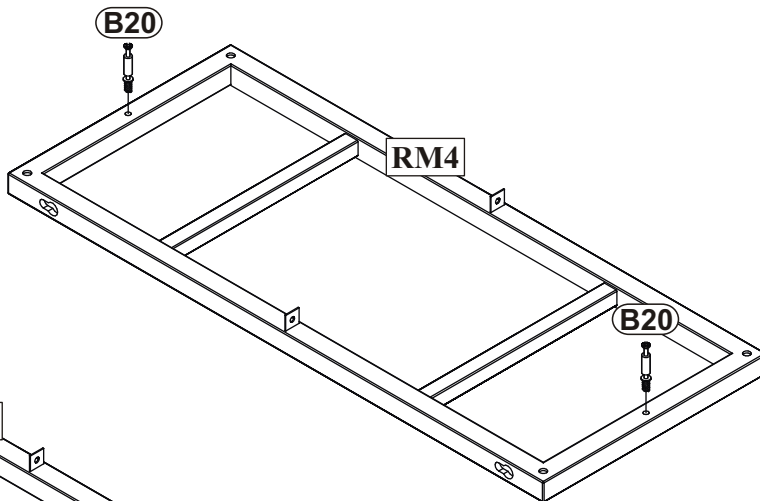
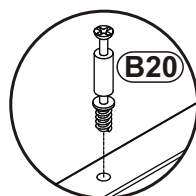
x1



x1

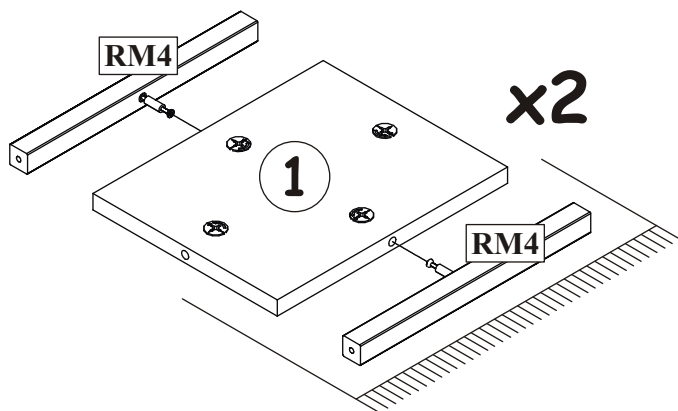


x4



SWITCH 27_SW RM4

3

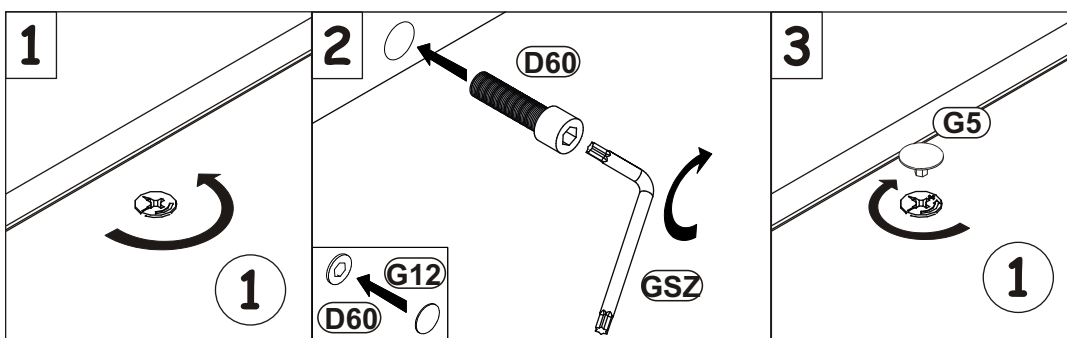


G5

x4



4



D60

x8



M6x30

G5

x4



G12

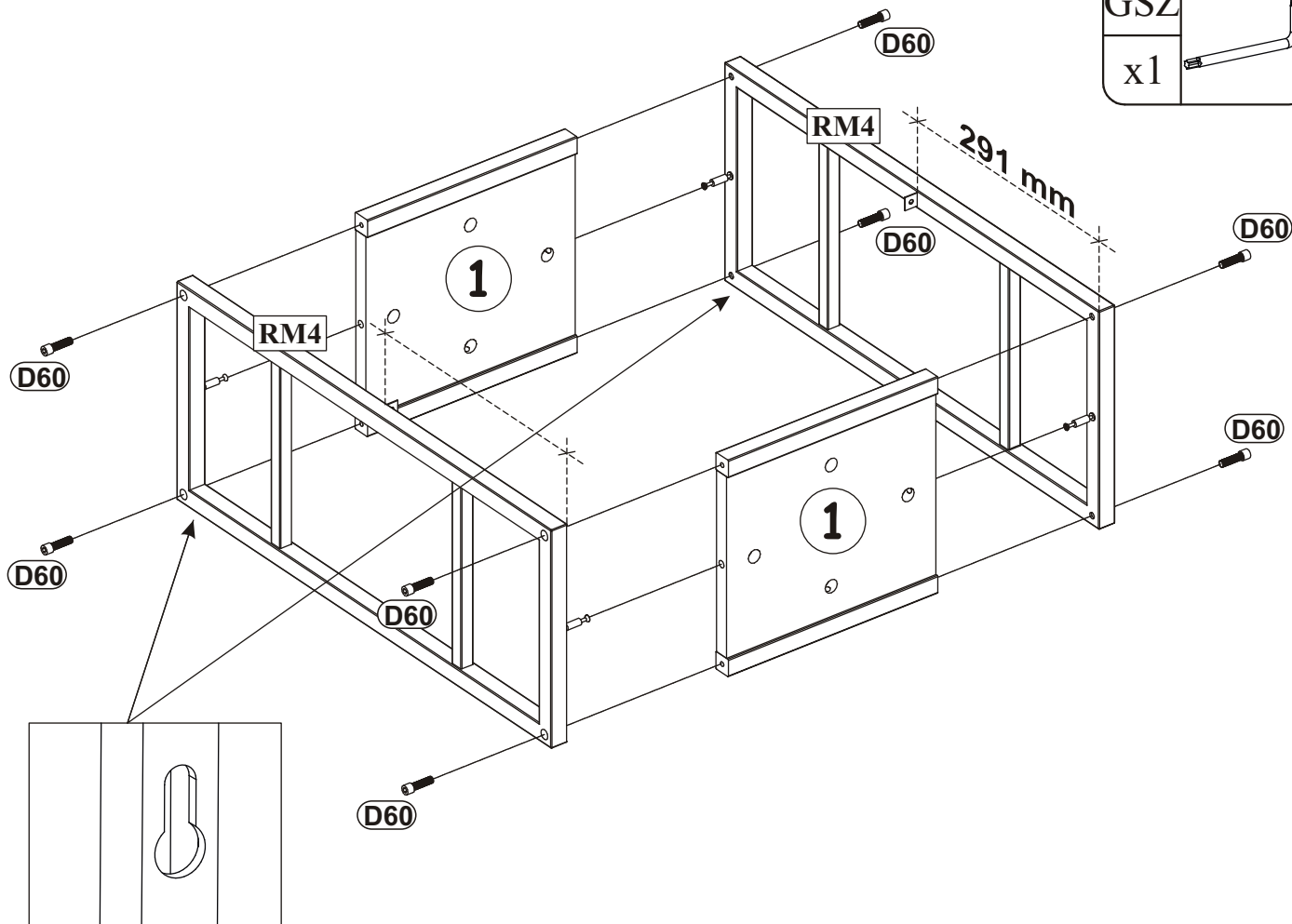
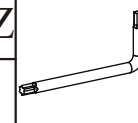
x8



Ø14

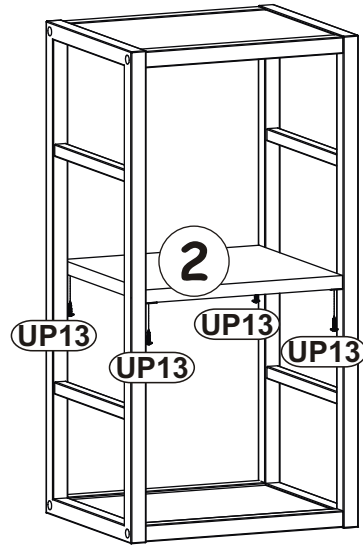
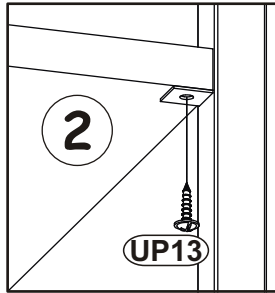
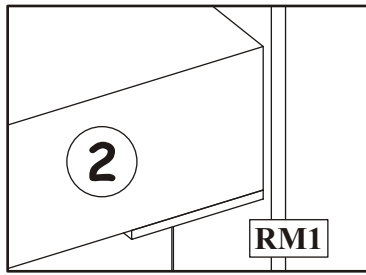
GSZ

x1



SWITCH 27_SW RM4

5

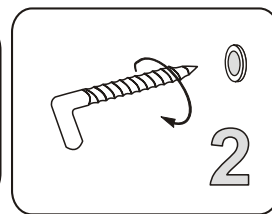
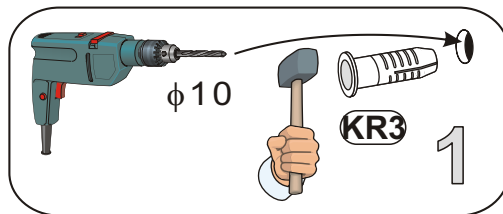
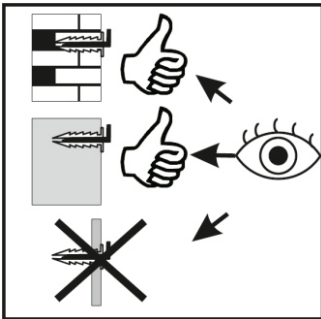


UP13

x4



6



KR3

x4

