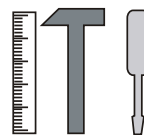
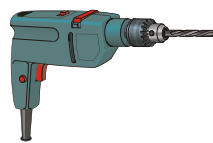
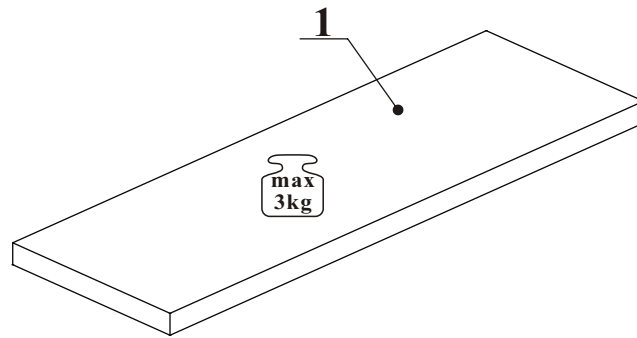
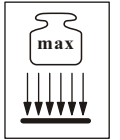


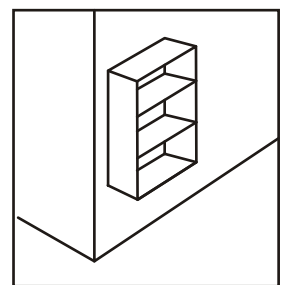
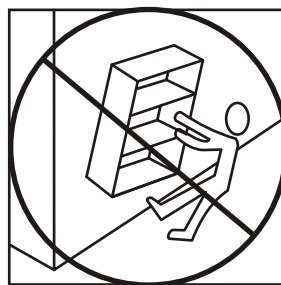
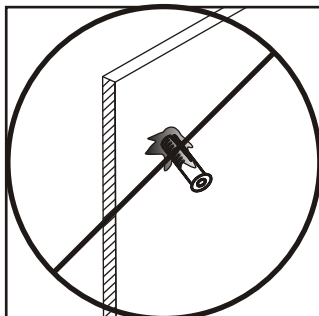
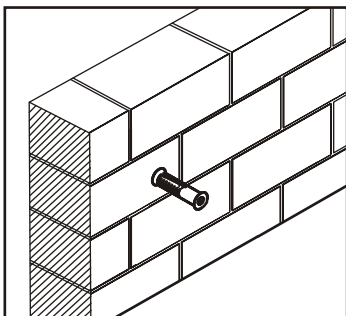
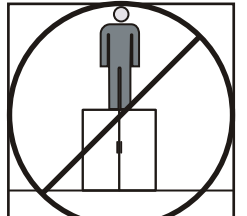
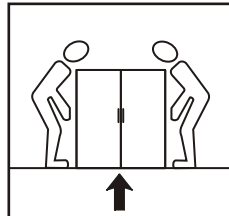
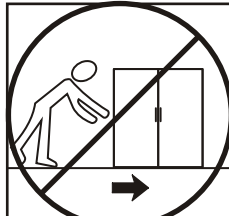
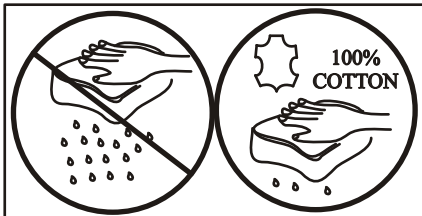
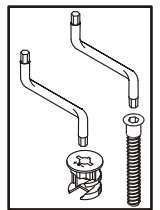
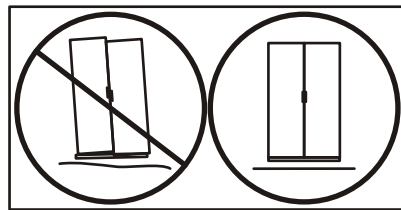
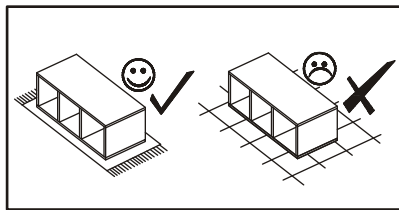
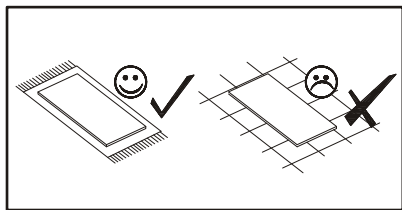
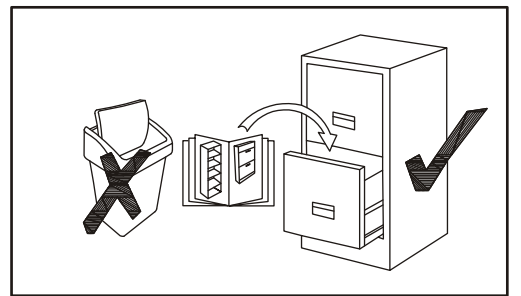
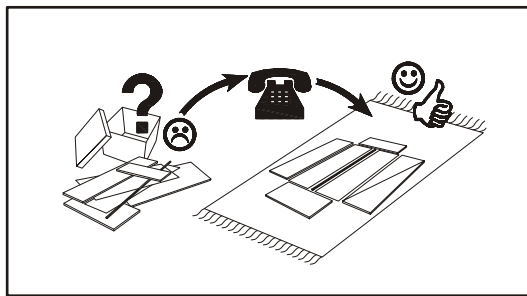
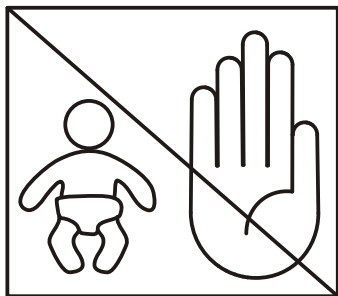
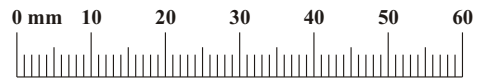
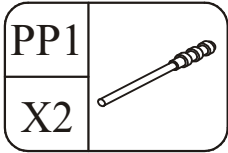
SWITCH PW 3



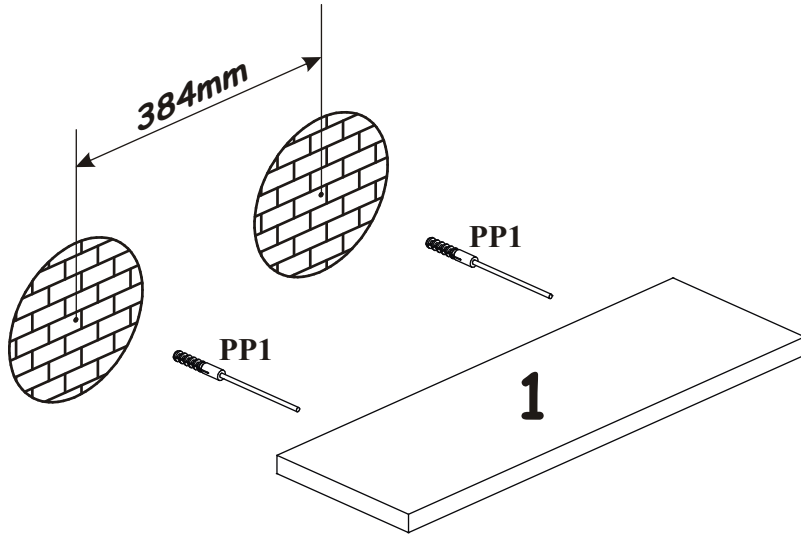
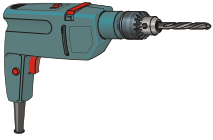
10 min

NO	Dim.		Col.-No	Qty
1	602	200	1	1

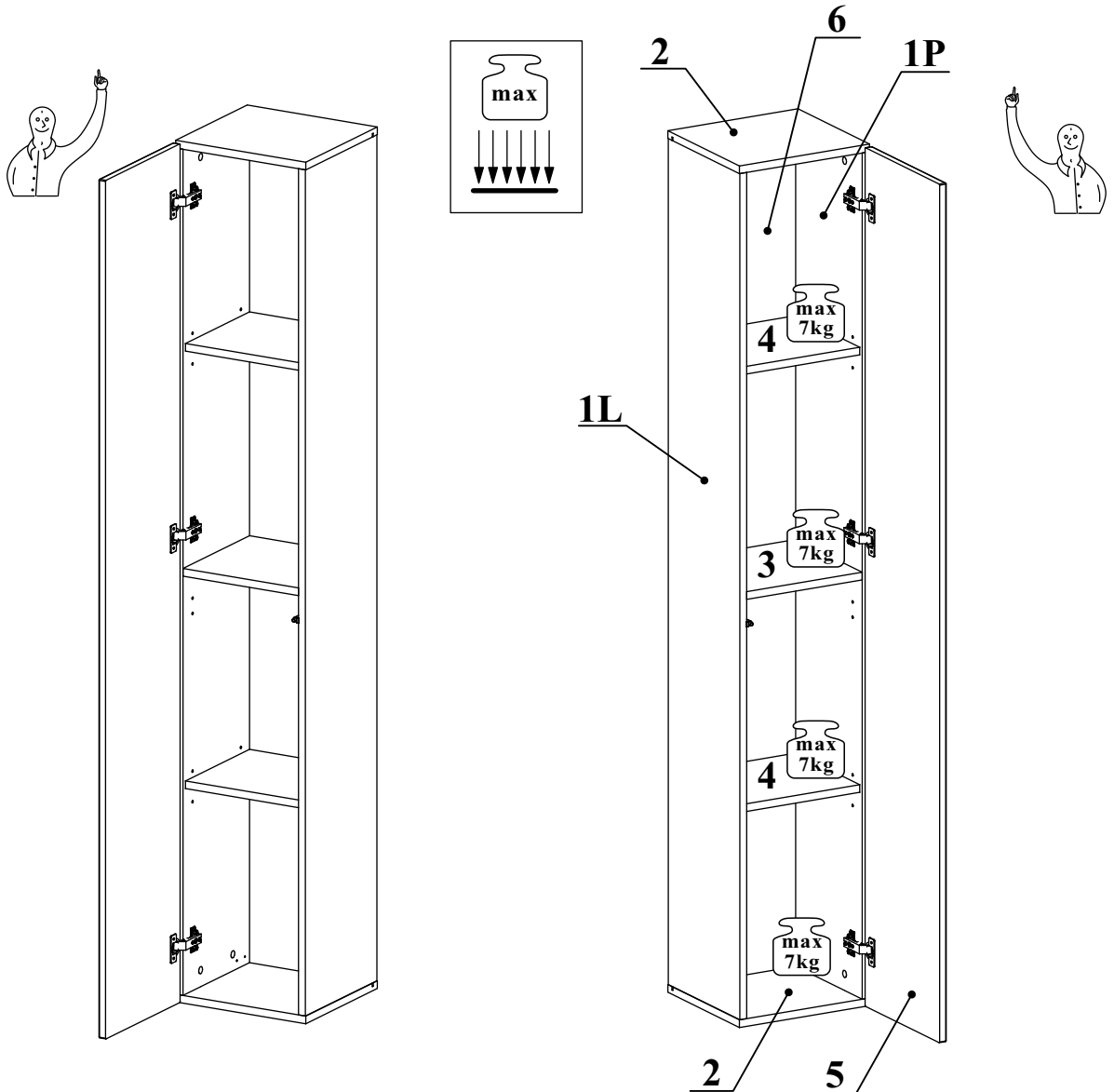
SWITCH PW 3



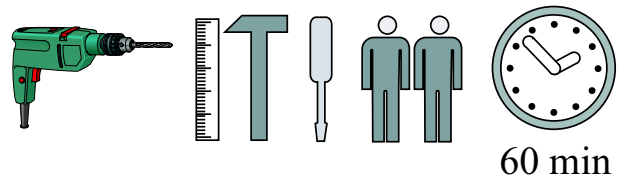
SWITCH PW 3



SWITCH SW1



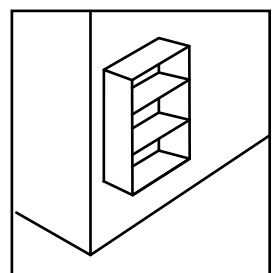
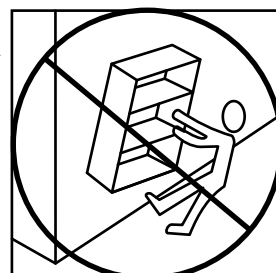
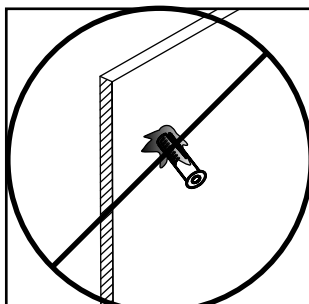
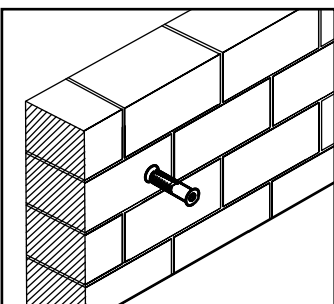
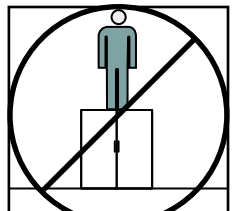
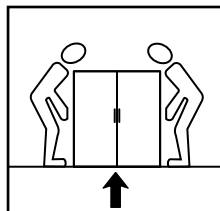
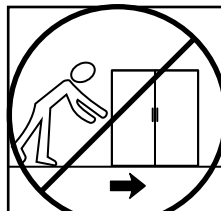
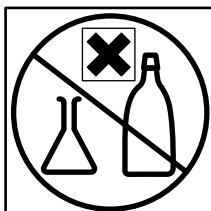
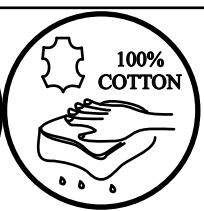
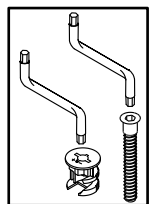
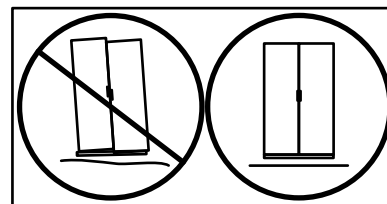
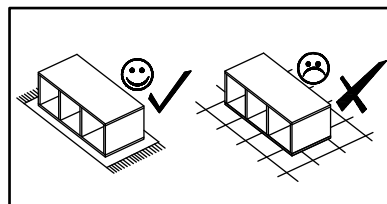
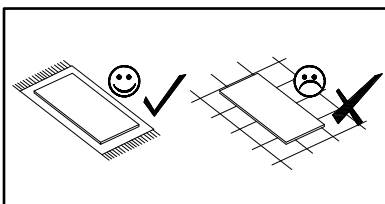
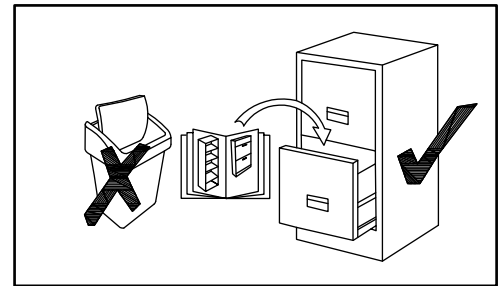
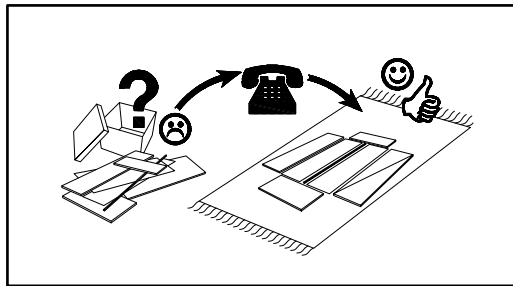
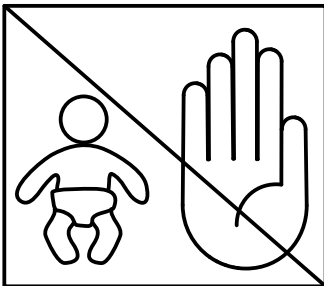
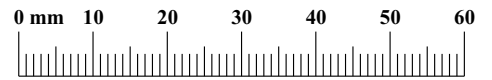
NO	Dim.		Col.-No	Qty
1	1170	284	1	1
2	1170	284	1	1
3	302	284	1	2
5	268	254	1	1
4	268	264	1	1
7	1182	280	1	1
6	296	1196	1	1



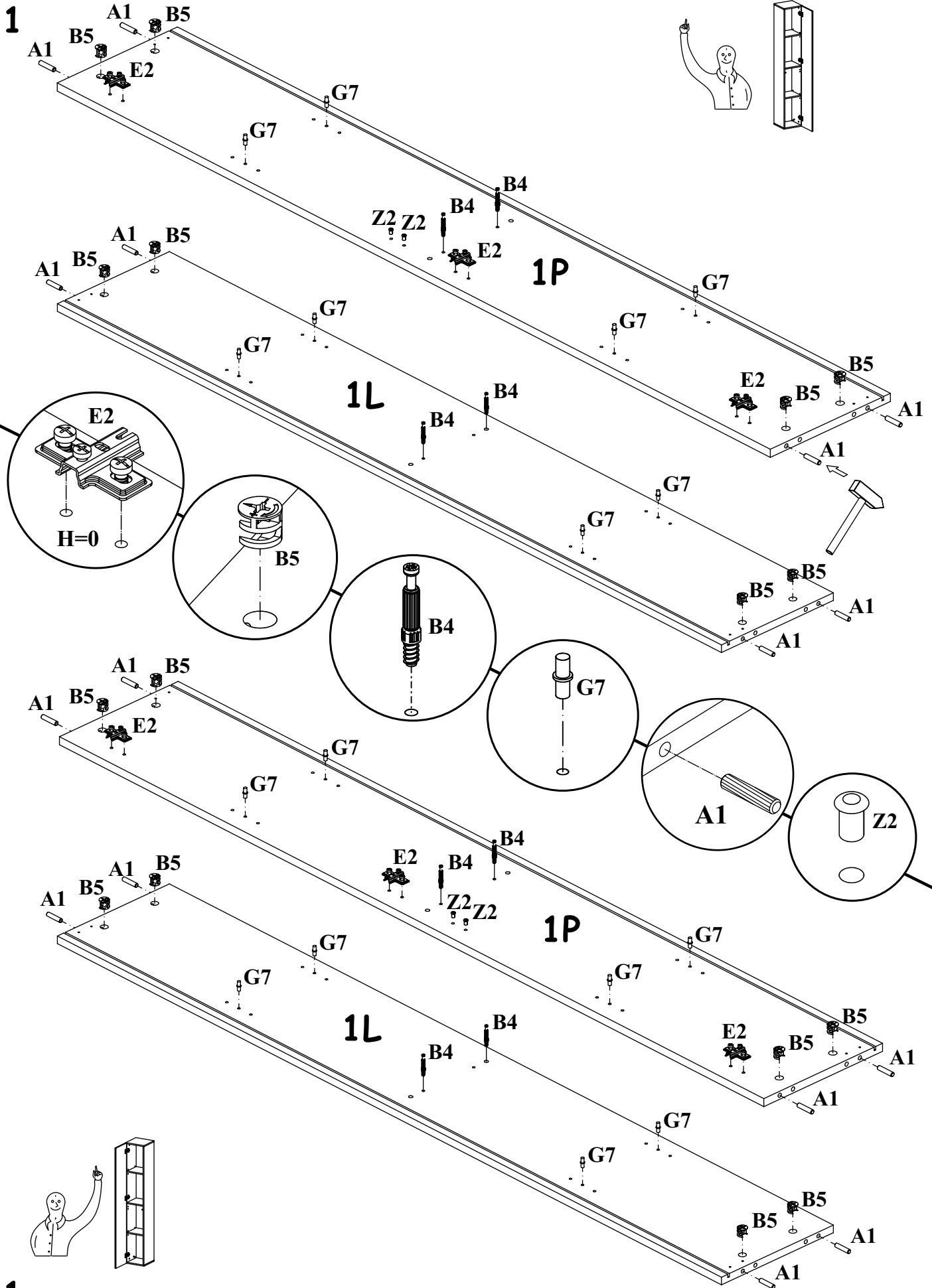
60 min

SWITCH - SW1

A1 X12 ø8x36	B4 X12	G5 X12	B5 X12 ø15x12	G7 X8	S1 X10
Z2 X2 ø5	D10 X8 USØ3,5x13	G2 X1	E1 X3 Ø26 H=0	E2 X3 H=0	ZR1 X2
D6 X4 USØ3,5x30	OD1 X1	KR2 X2			



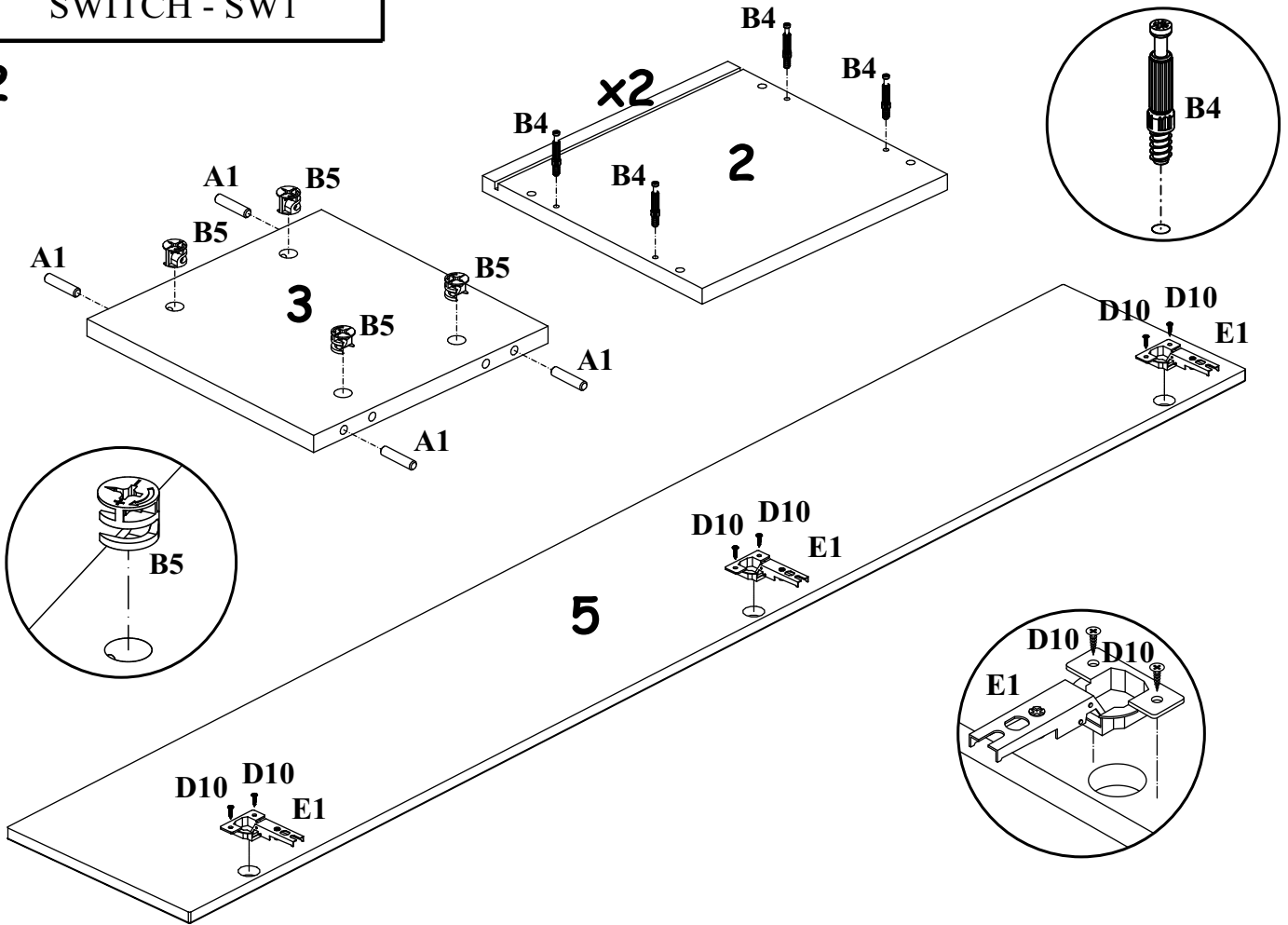
SWITCH - SW1



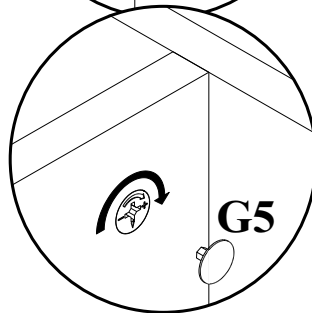
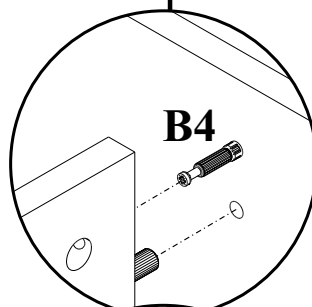
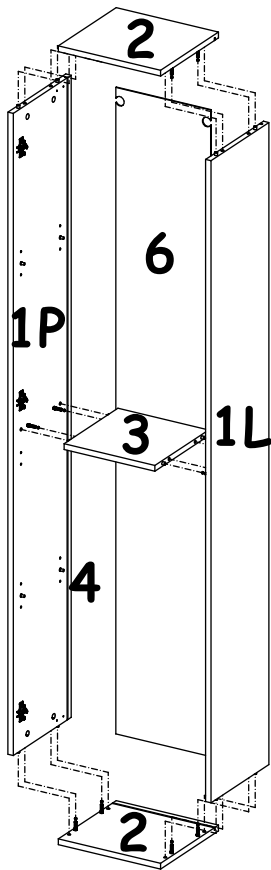
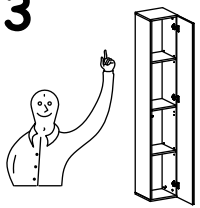
1

SWITCH - SW1

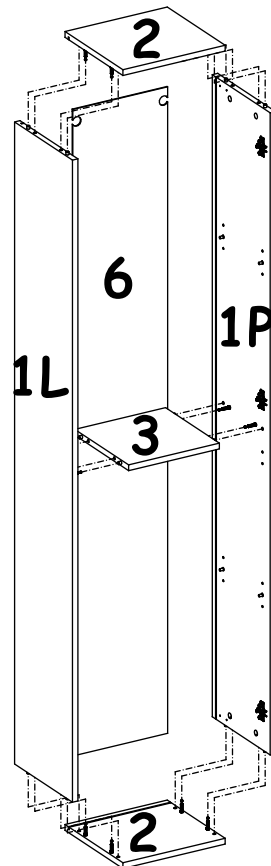
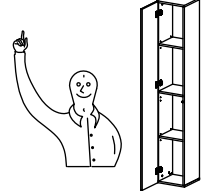
2



3

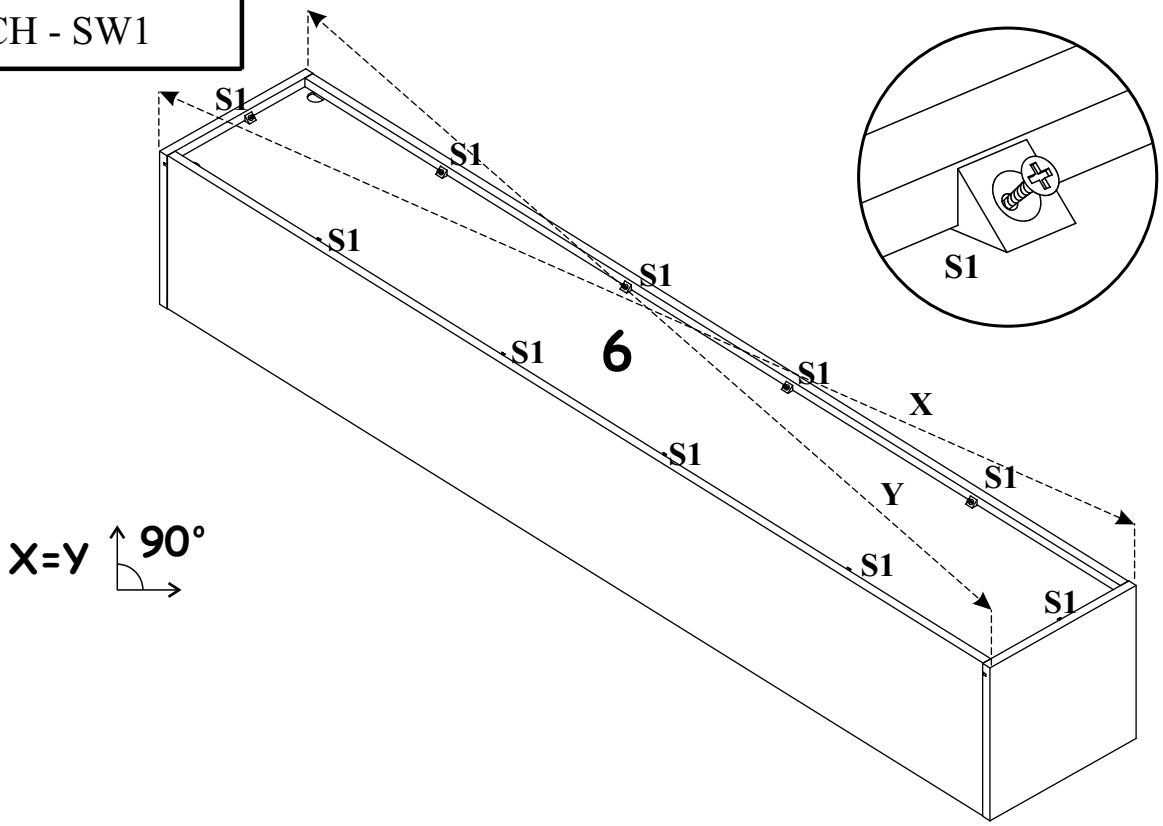


3

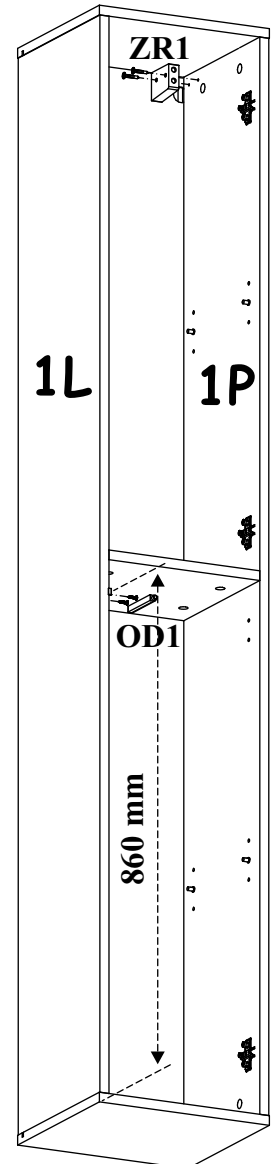
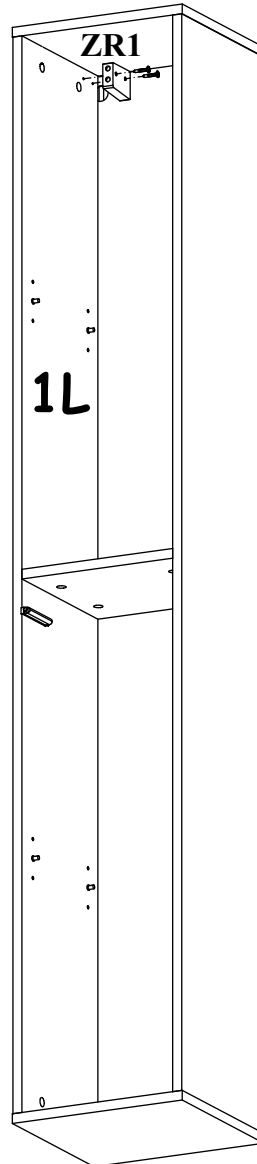
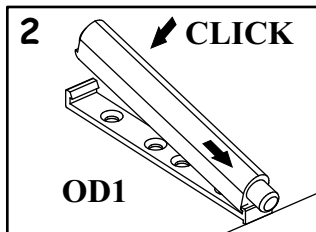
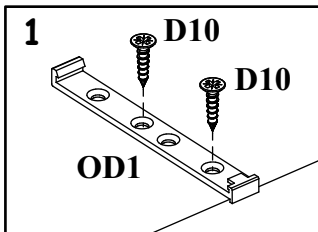
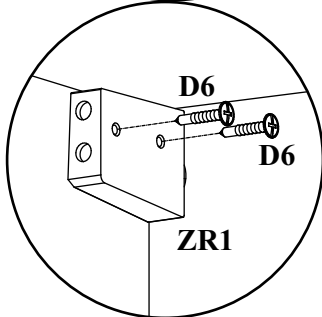
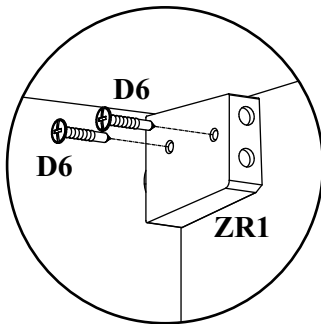
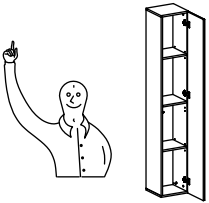


SWITCH - SW1

4

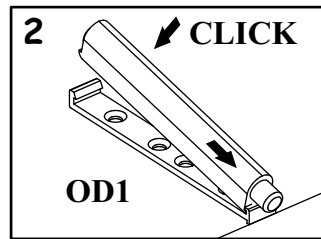
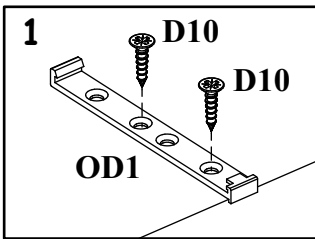
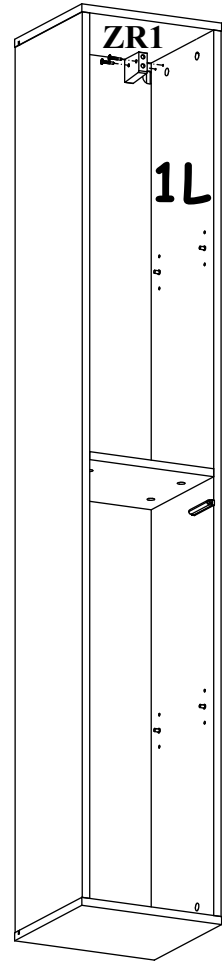
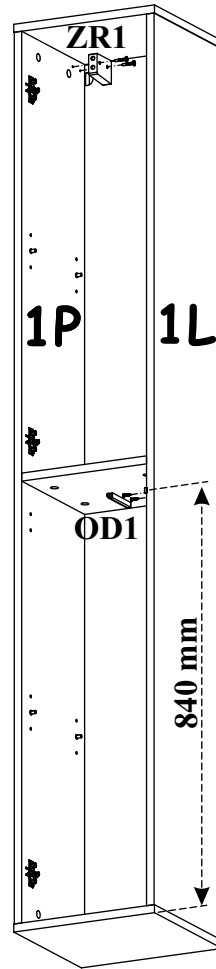
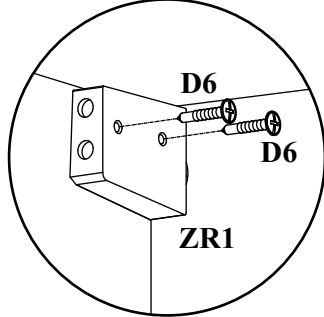
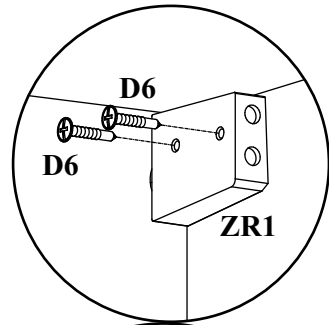
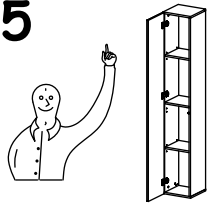


5

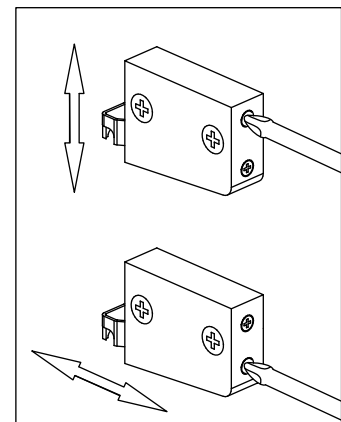
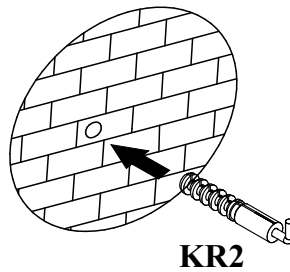
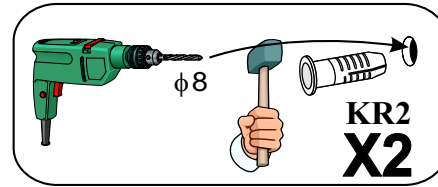
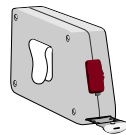
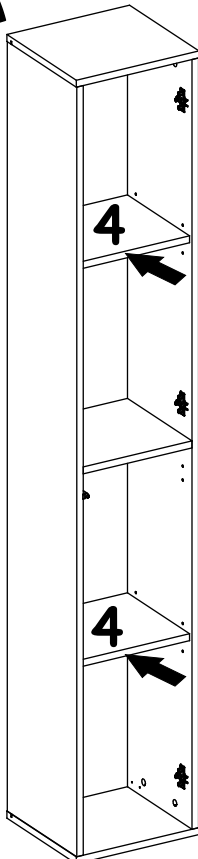
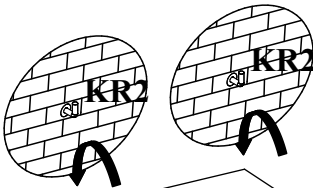


SWITCH - SW1

5

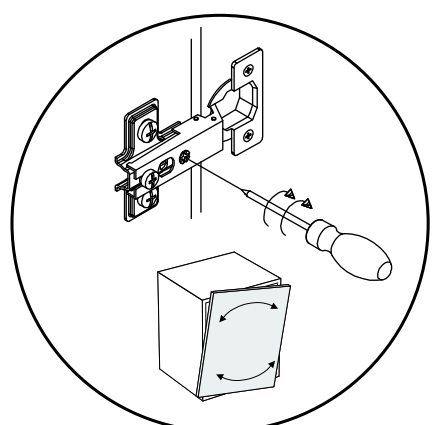
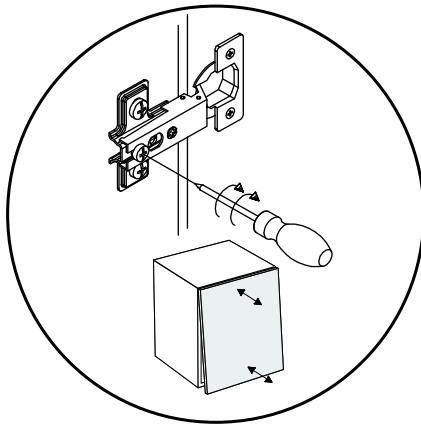
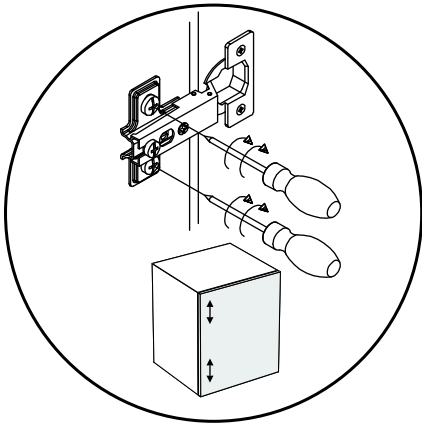
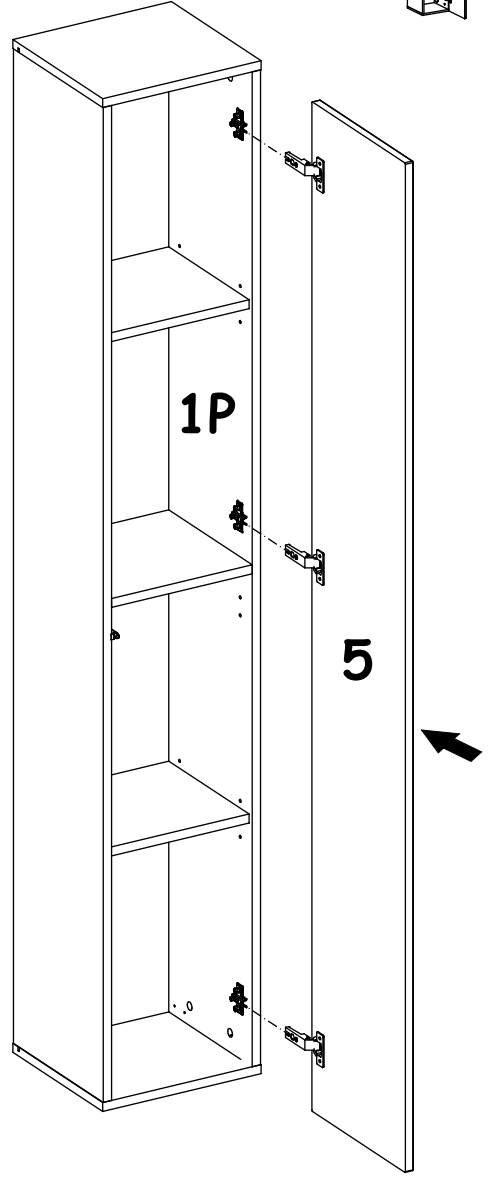
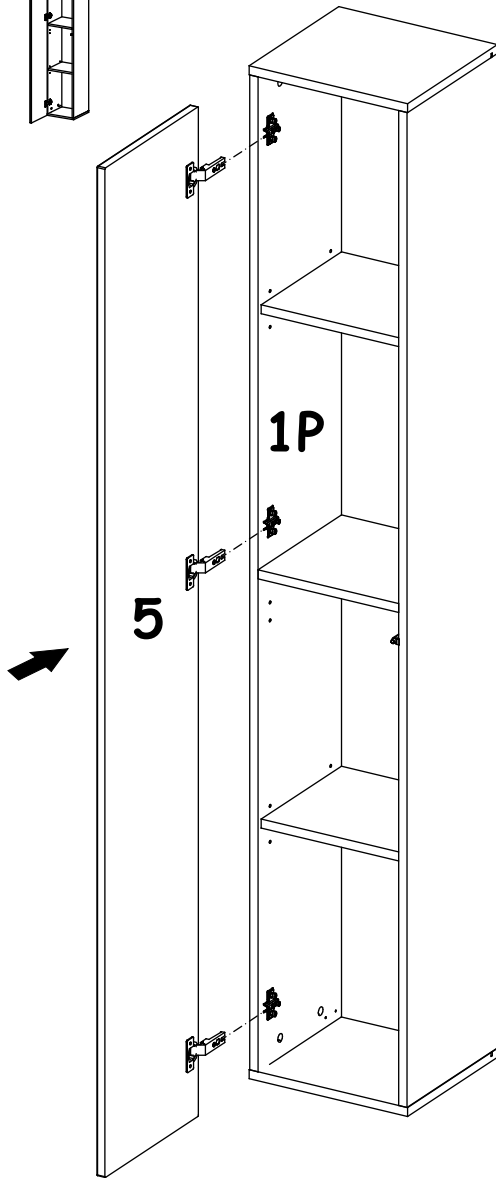
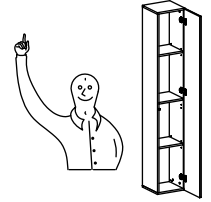
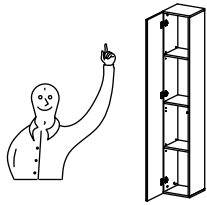


6

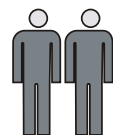
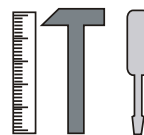
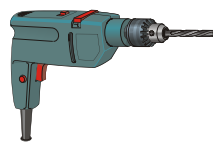
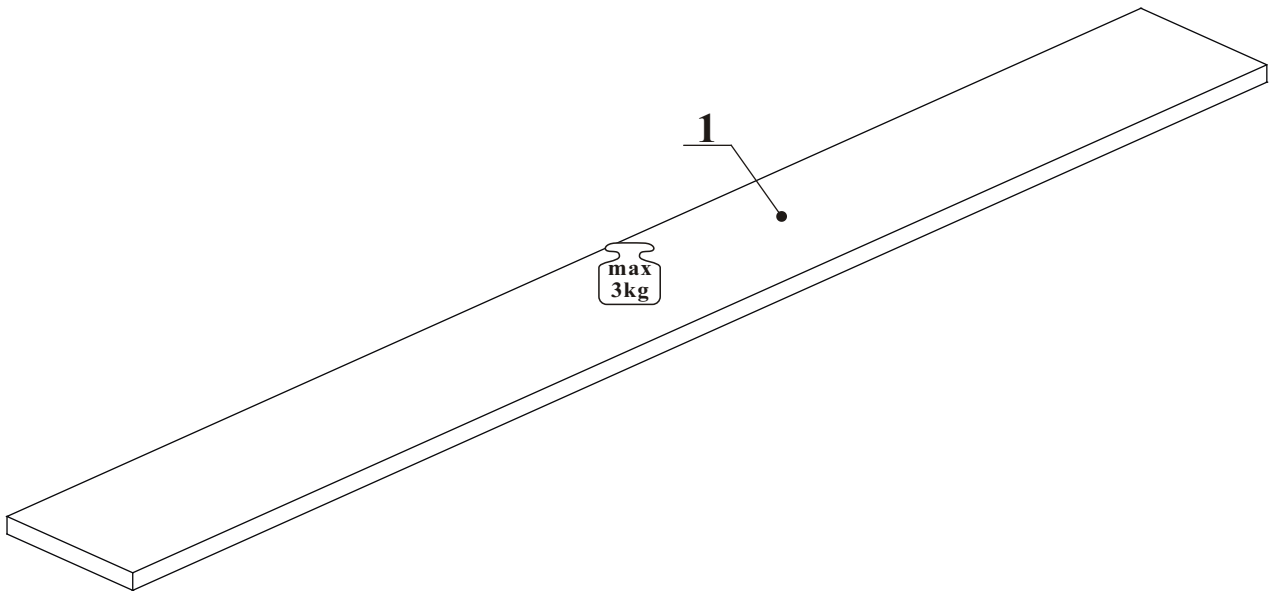
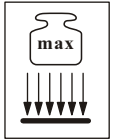


SWITCH - SW1

7



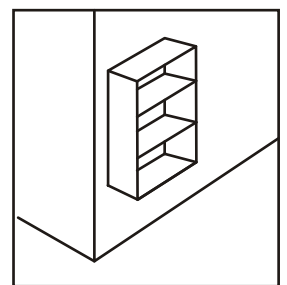
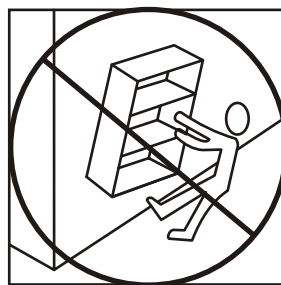
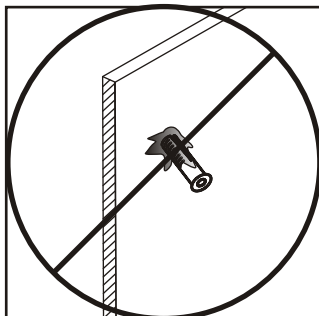
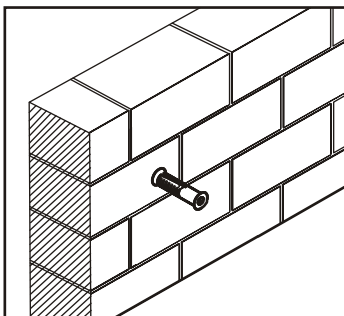
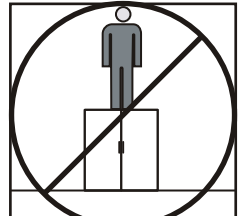
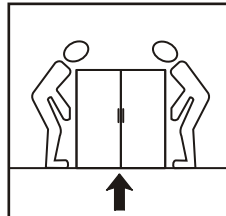
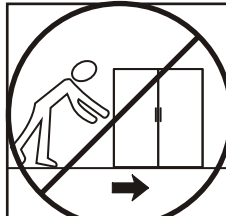
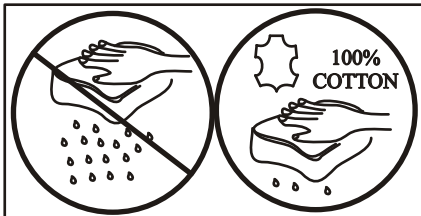
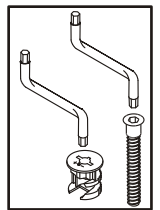
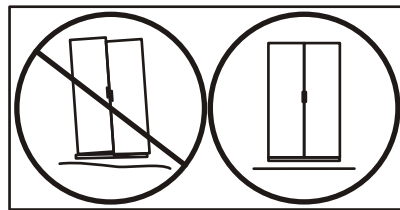
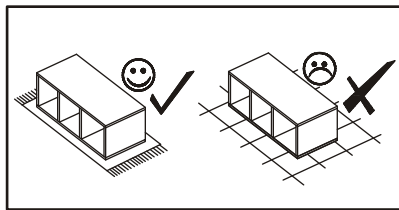
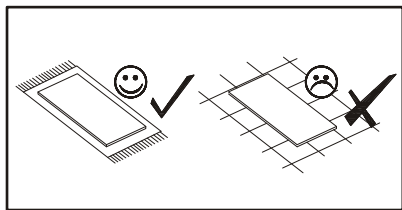
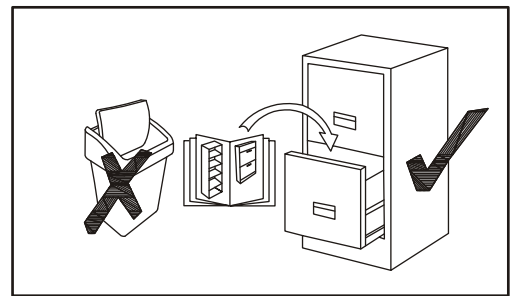
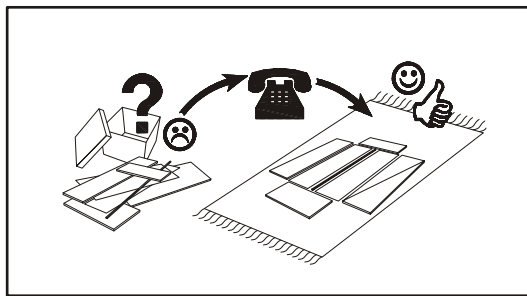
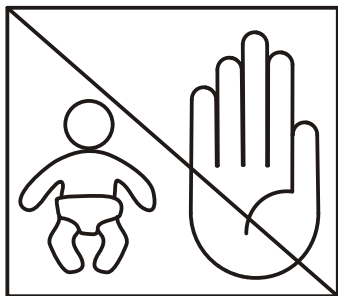
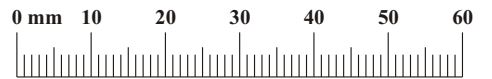
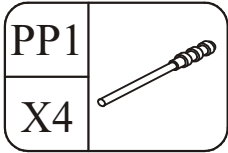
SWITCH PW 1



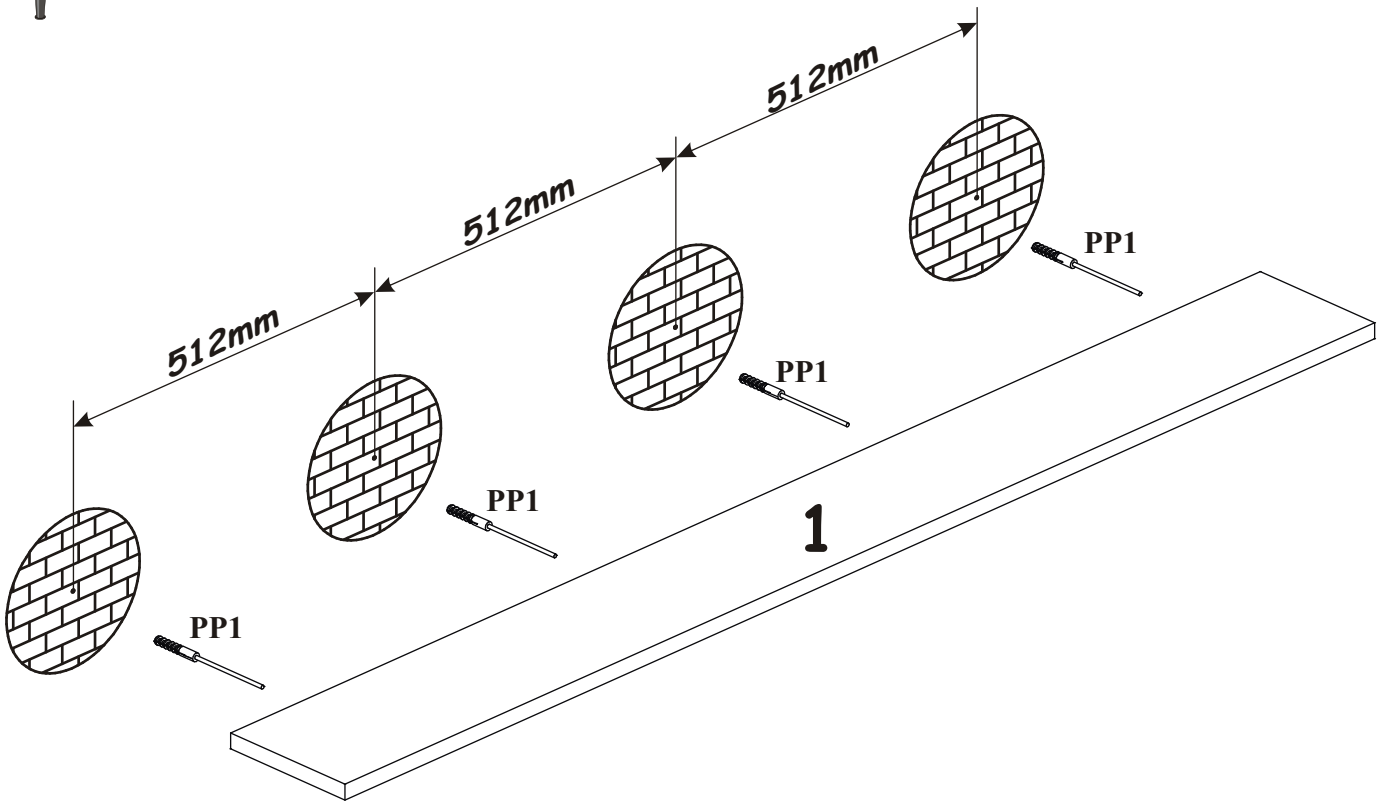
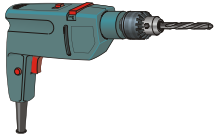
10 min

NO	Dim.	Col.-No	Qty
1	1802 200	1	1

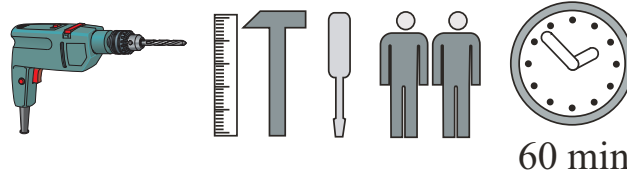
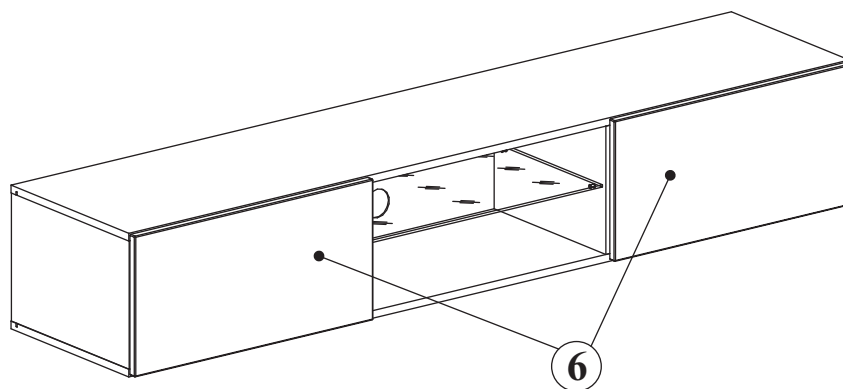
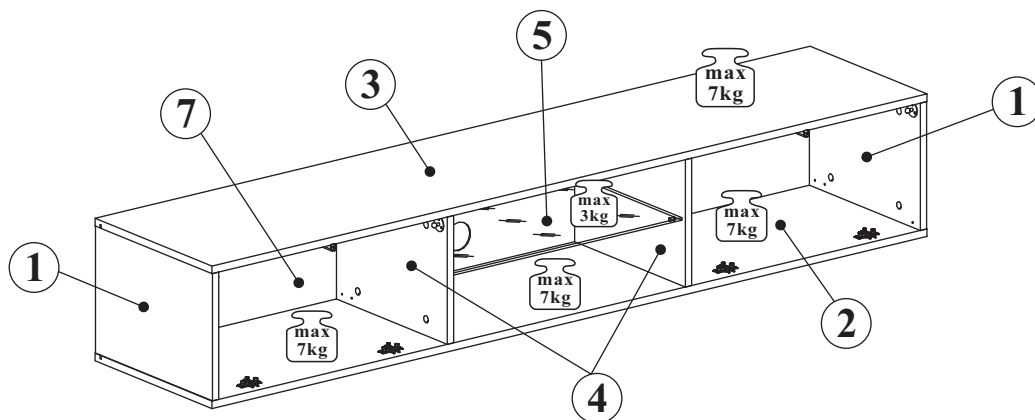
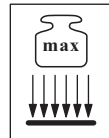
SWITCH PW 1



SWITCH PW 1



SWITCH 27 -- SW RTV 3

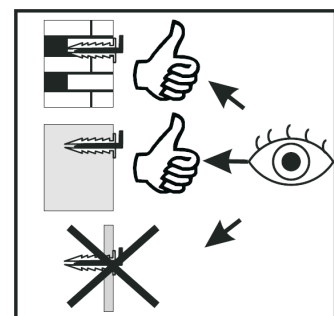
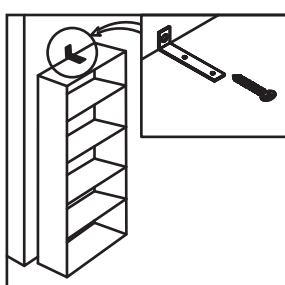
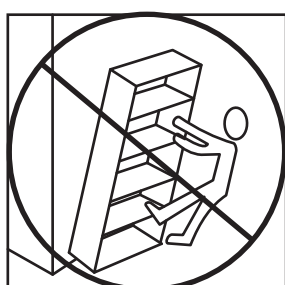
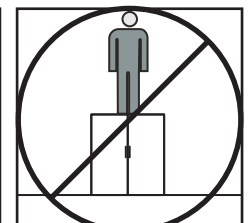
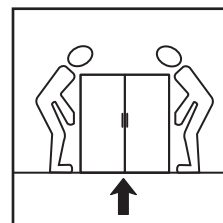
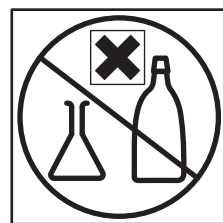
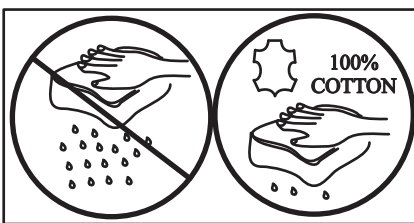
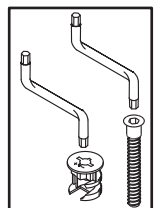
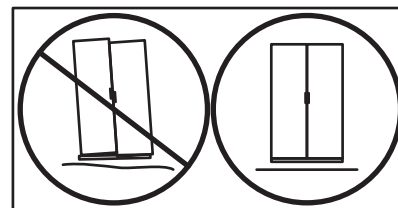
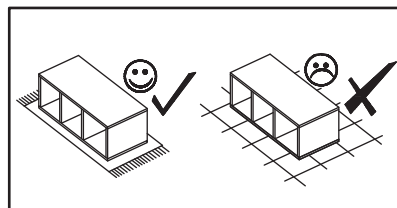
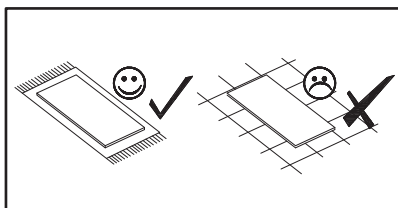
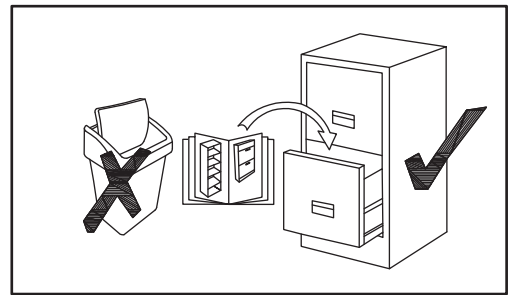
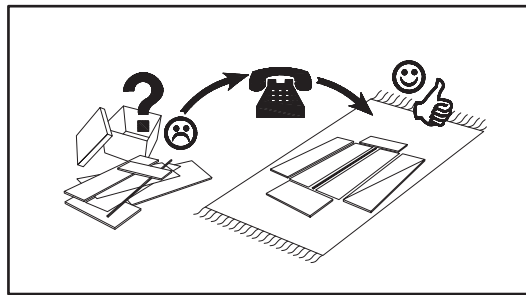
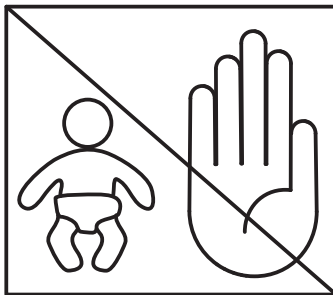
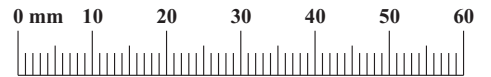


60 min

NO	Dim.			Col-No	Qty
1	268	384	16	1	2
2	1802	384	16	1	1
3	1802	384	16	1	1
6	596	294	16	1	2
4	268	364	16	1	2
5	582	349	5	1	1
7	1780	280	3	1	1

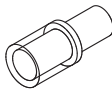
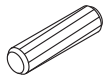
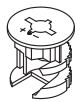
SWITCH RTV 3

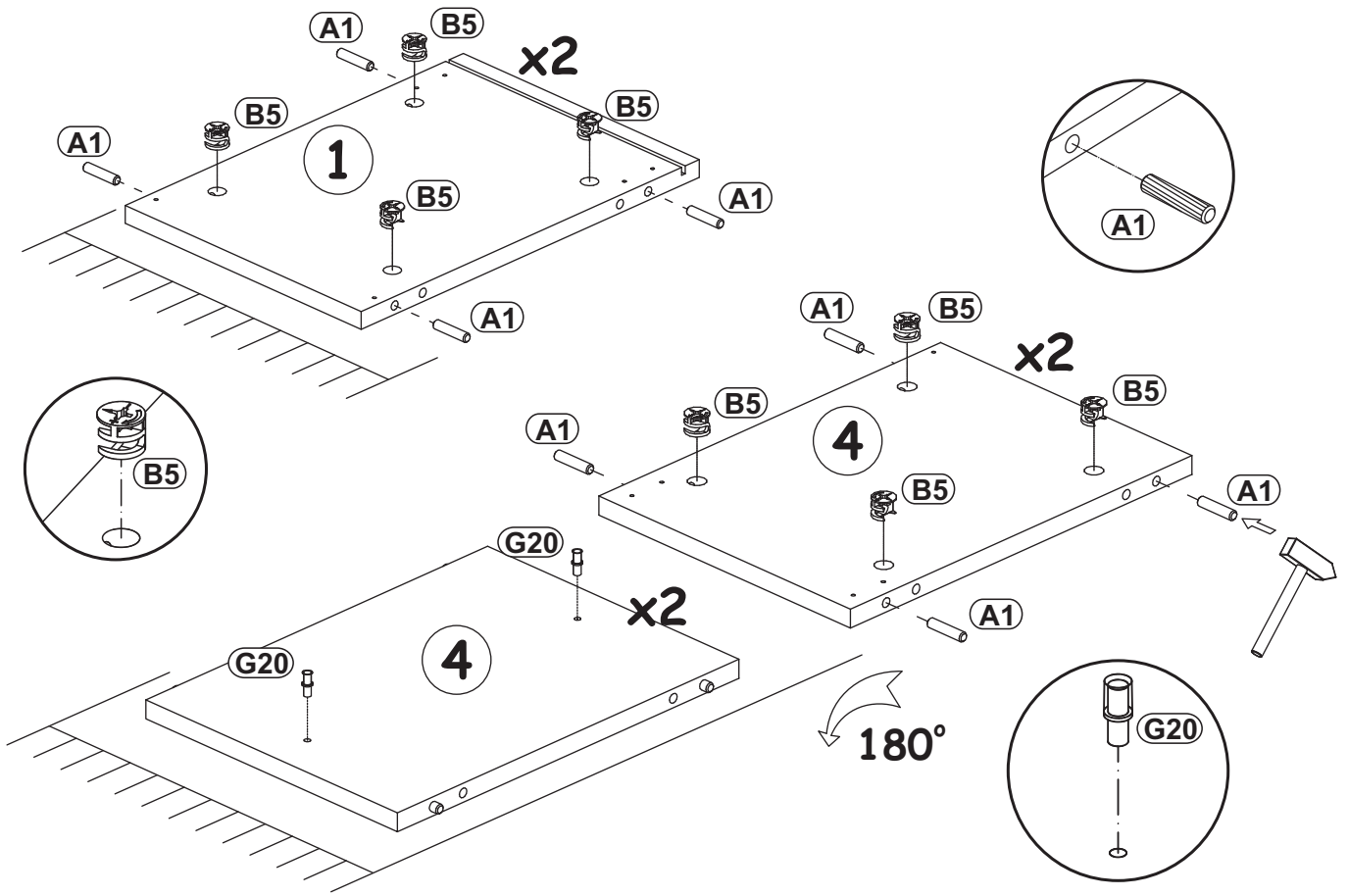
A1 x16 ø8x36	B4 x16	G5 x16	B5 x16 ø15x12	ZR1 x4	D6 x8 USØ3,5x30
E1 x4 Ø26 H=0	E2 x4 H=0	D10 x32 USØ3,5x13	T1 x2	S1 x14	B01 x4
KR2 x4 Ø8	G2 x1	LED x1 x1	G20 x4	UP13 x4 UPØ3x16	



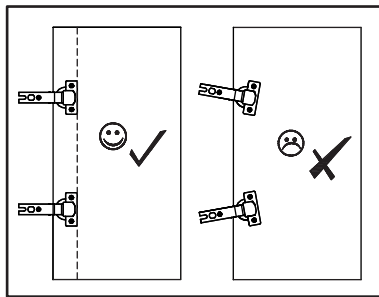
SWITCH RTV 3


1

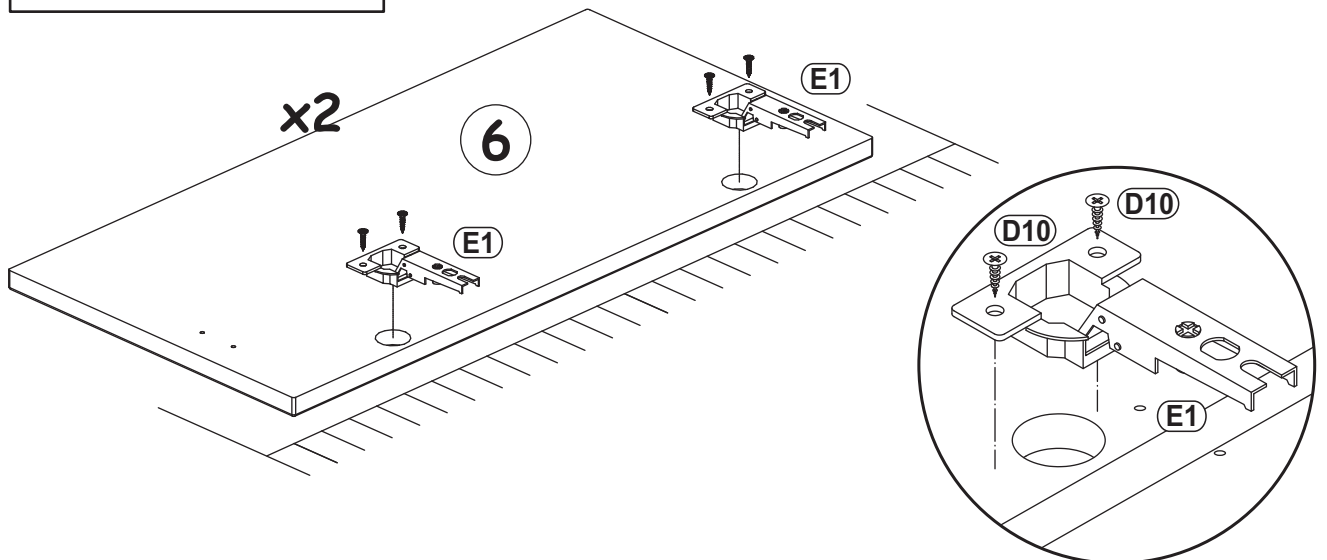
G20		A1		B5	
x4		x16	ø8x36	x16	ø15x12



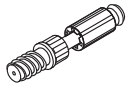
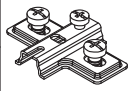
2



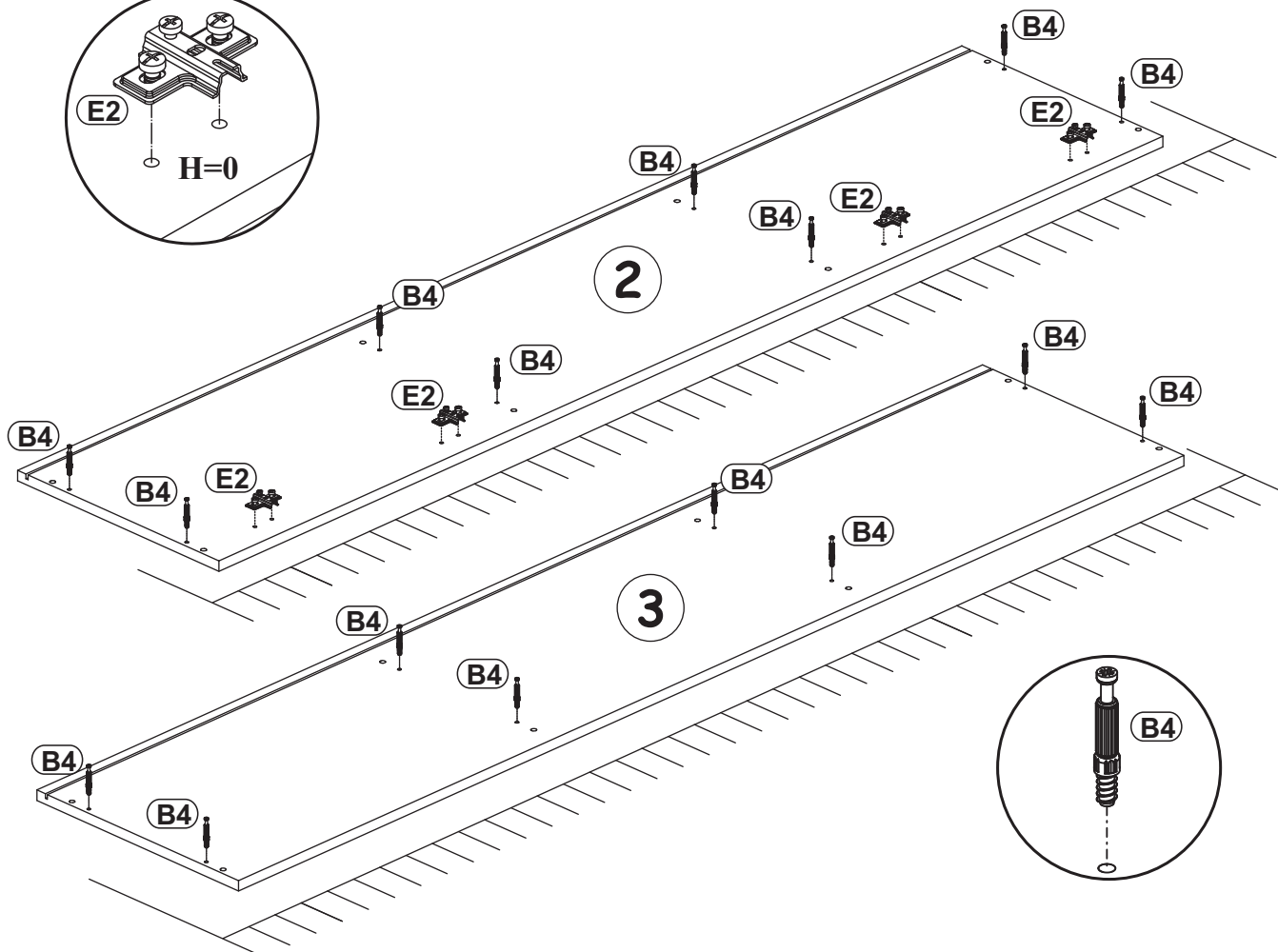
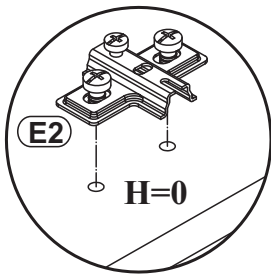
E1	Ø26	D10	
x4	H=0	x8	USØ3,5x13




SWITCH RTV 3

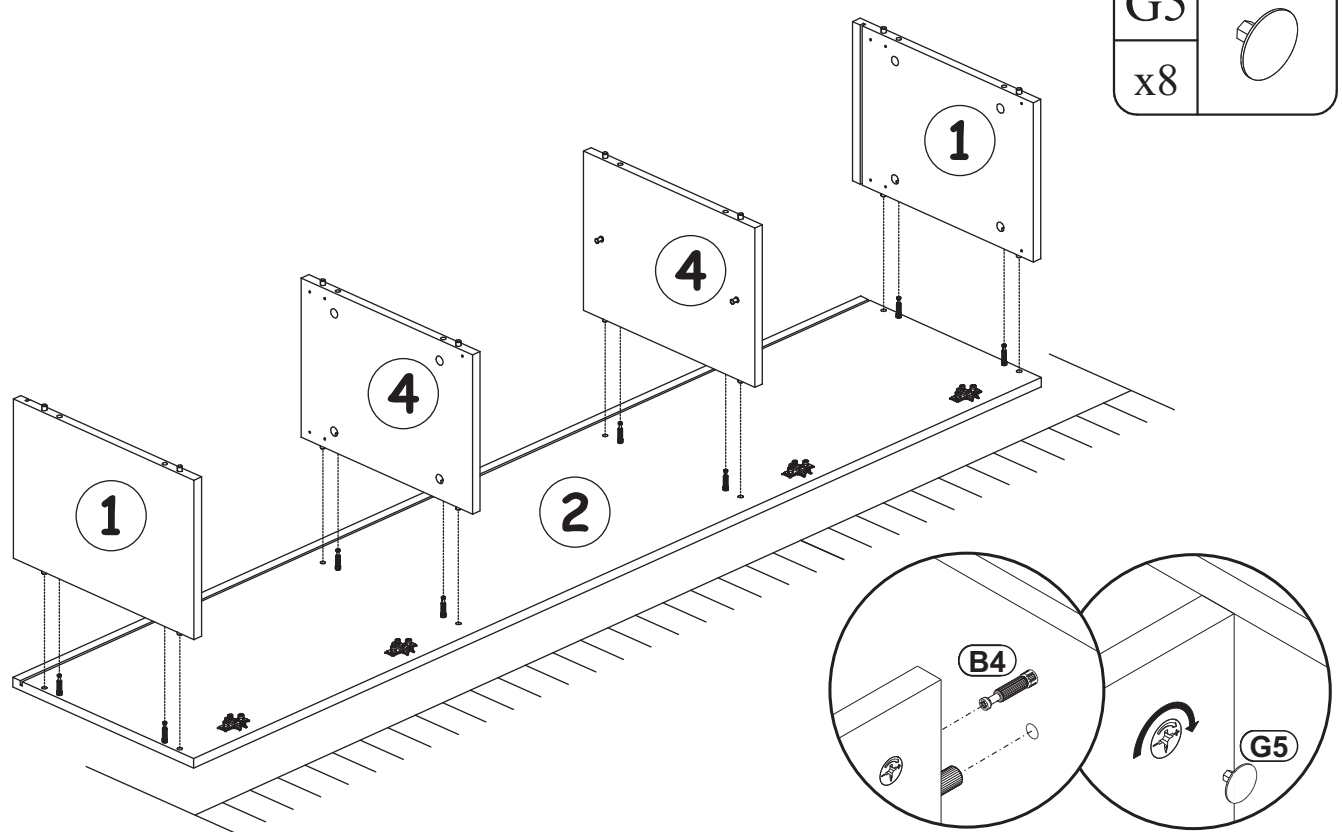
B4		E2	
x16		x4	H=0

3




4

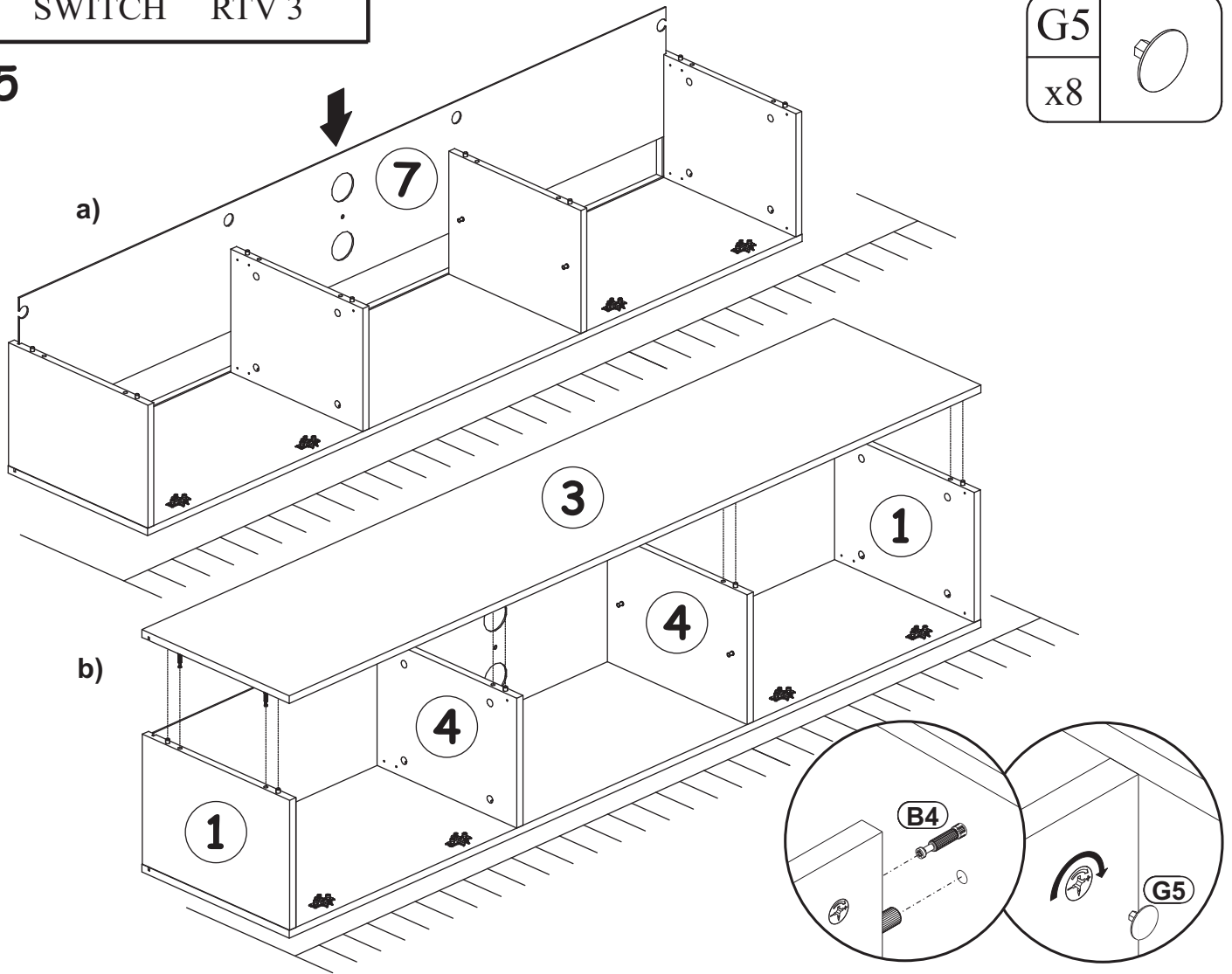
G5	
x8	



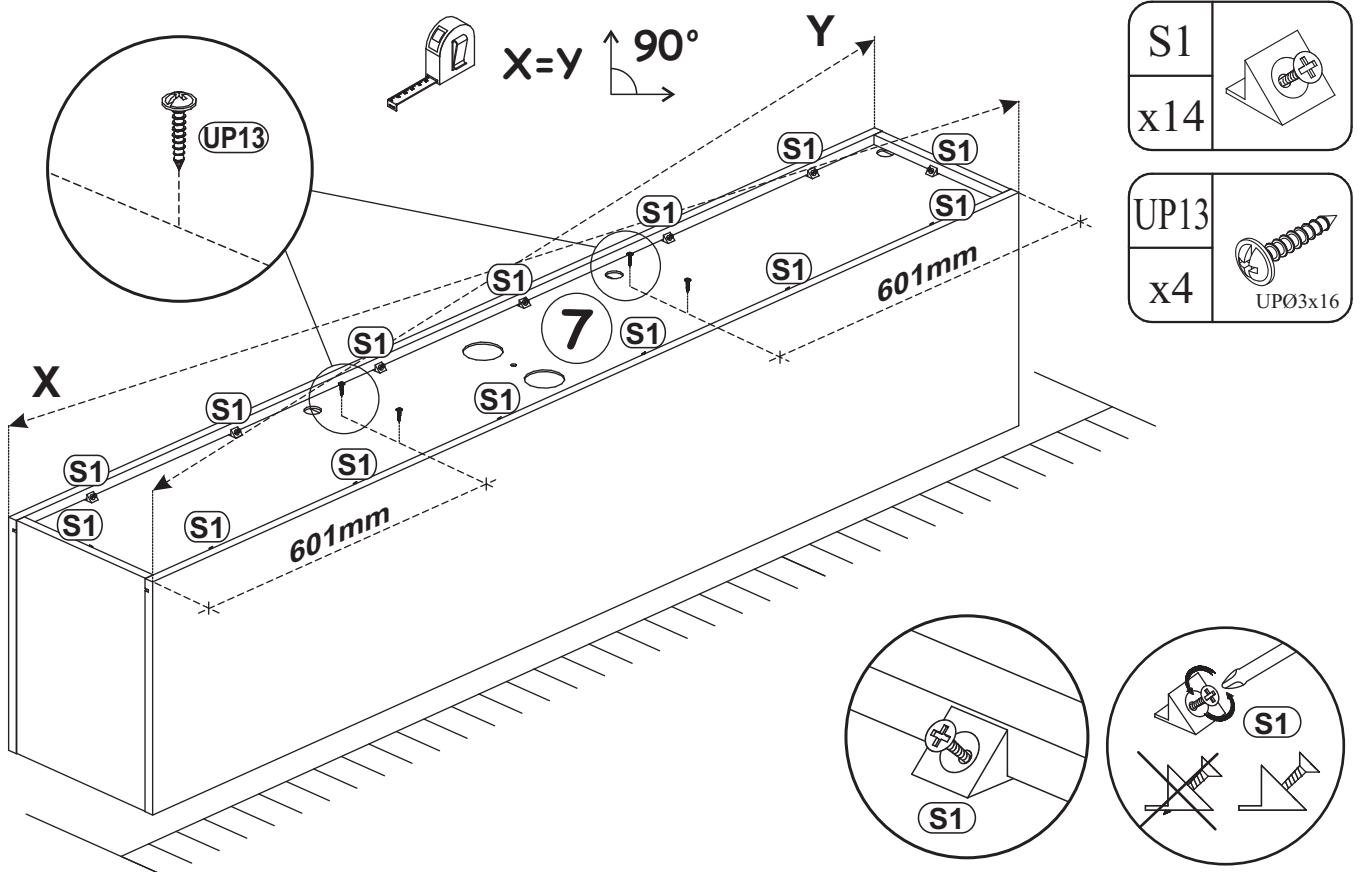
SWITCH RTV 3

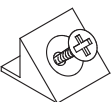
G5	
x8	


5



6

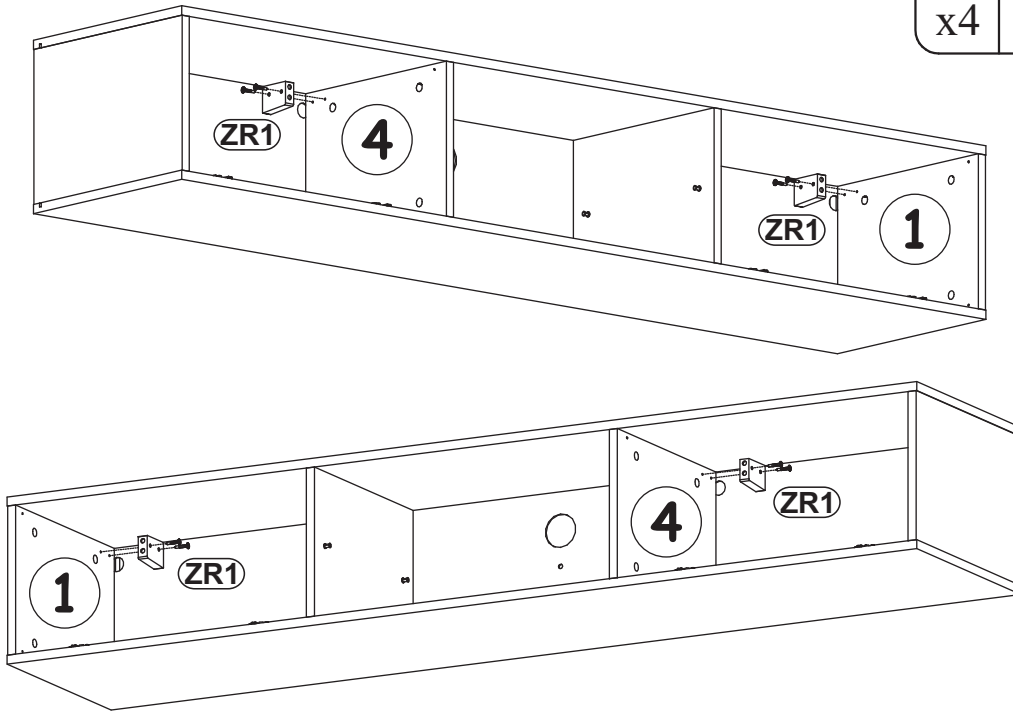


S1	
x14	

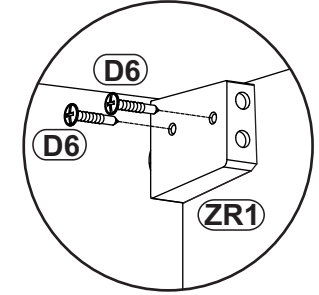
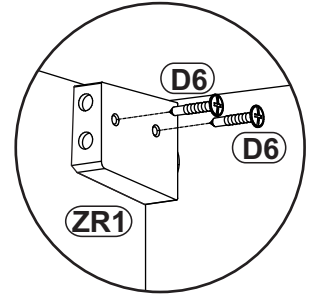
UP13	
x4	UPØ3x16

SWITCH RTV 3

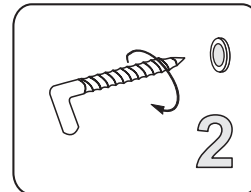
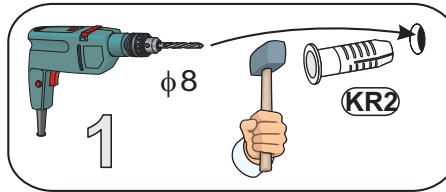
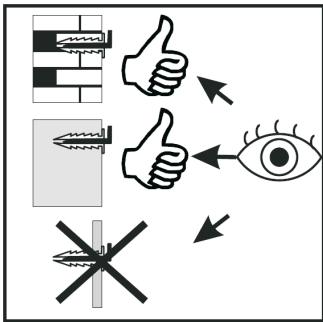
7



ZR1		D6	
x4		x8	US03,5x30

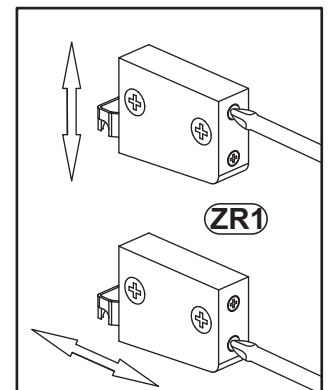
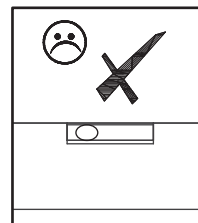
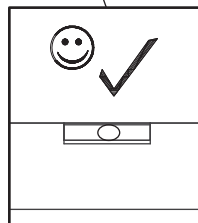
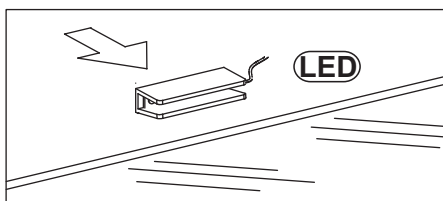
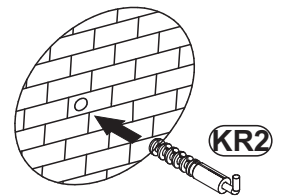
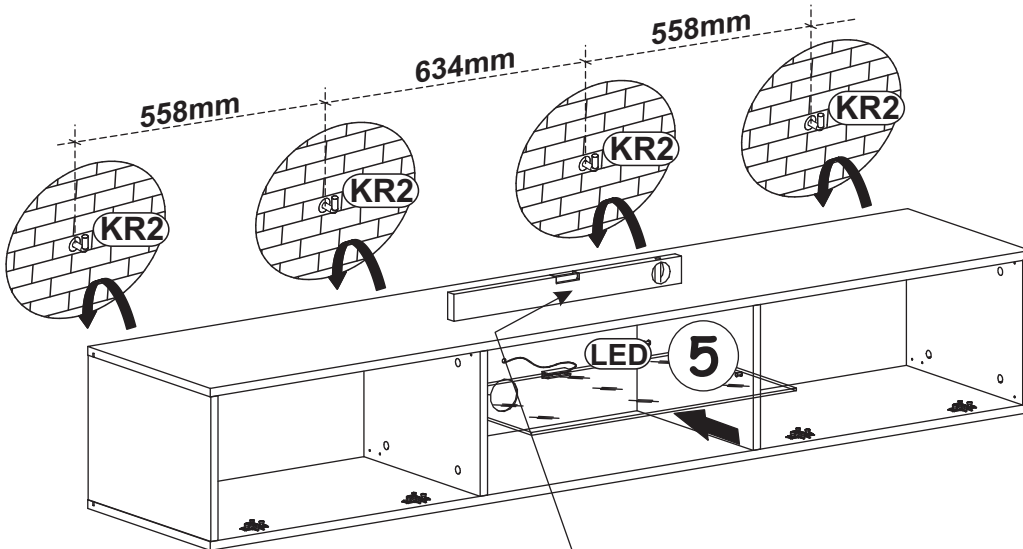


8



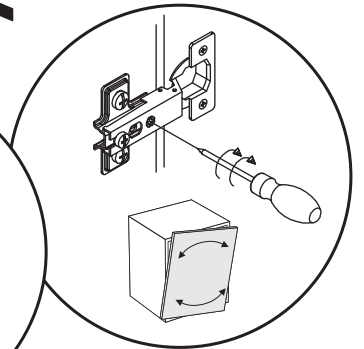
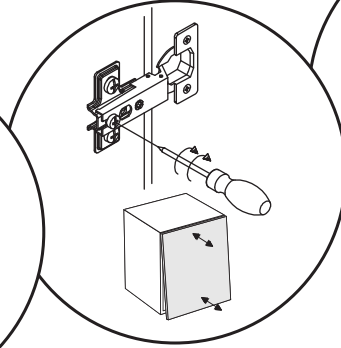
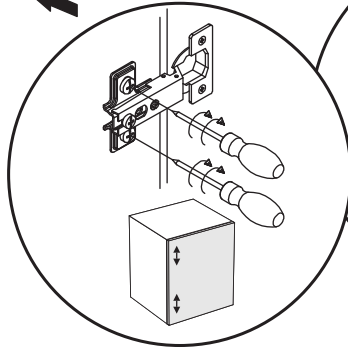
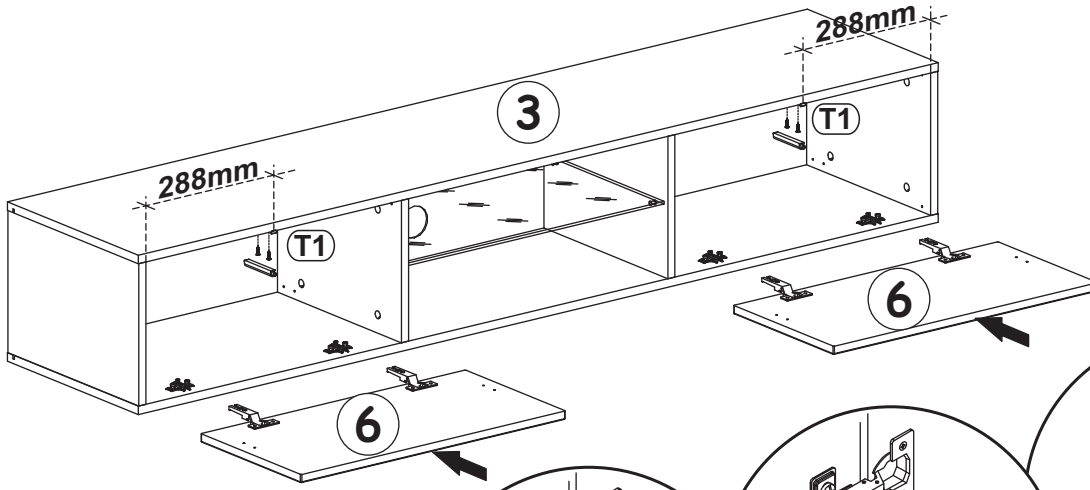
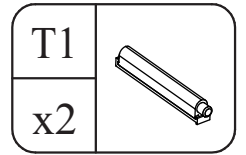
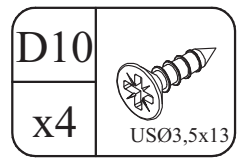
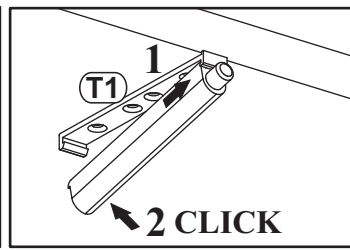
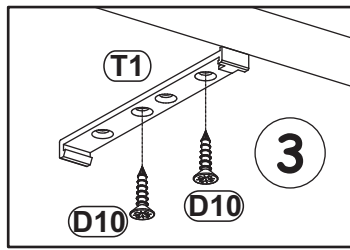
KR2	
x4	Ø8

LED	
x1	X1

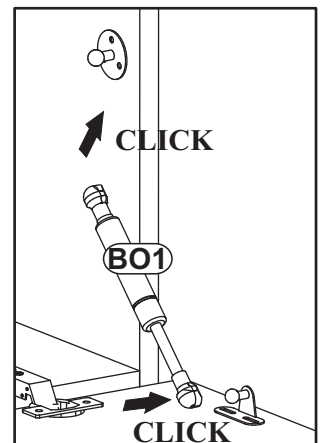
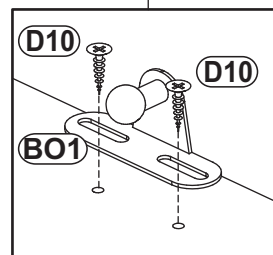
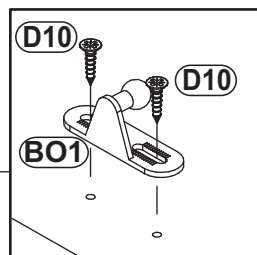
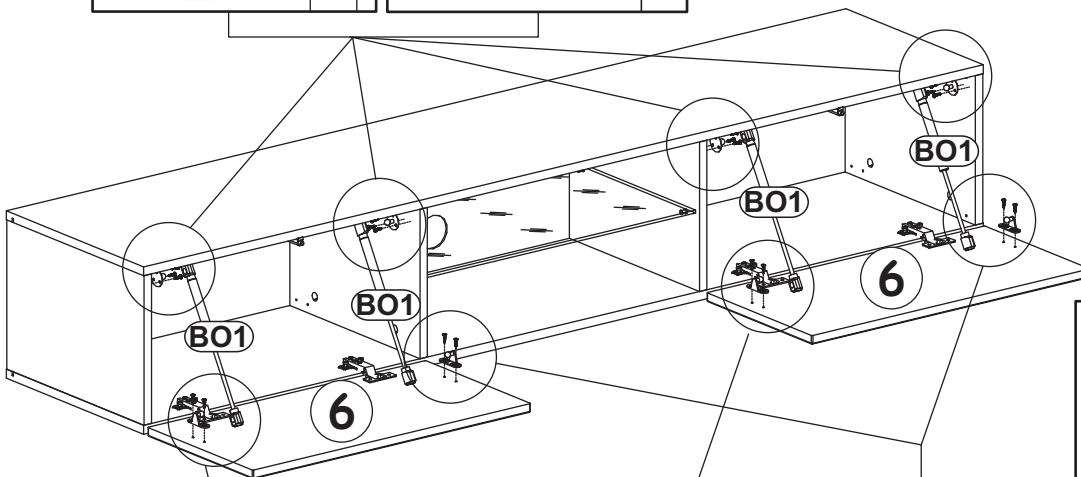
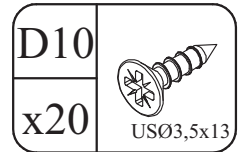
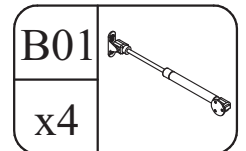
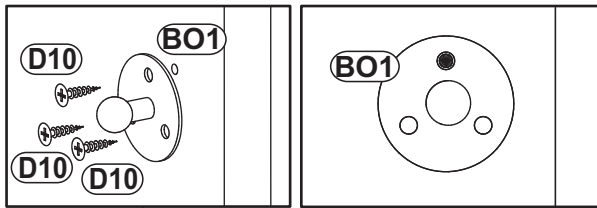


SWITCH RTV 3

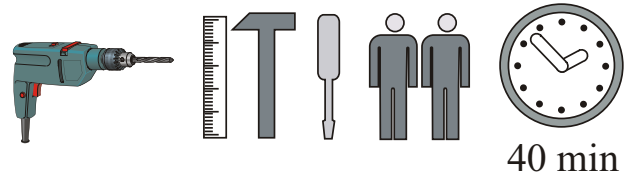
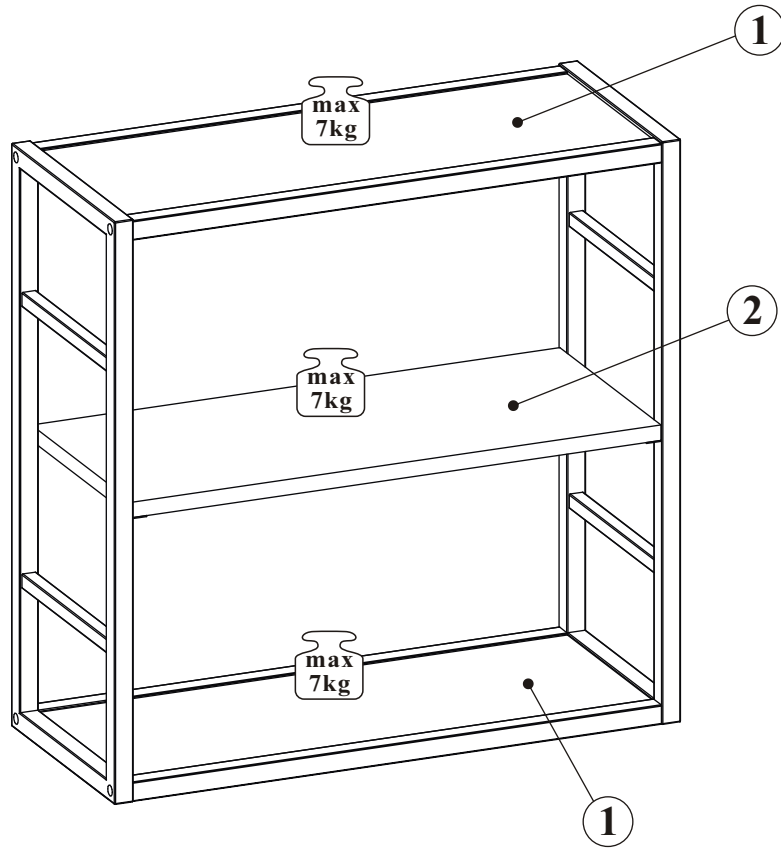
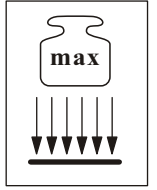
9



10


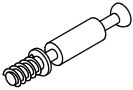

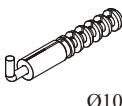




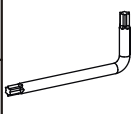


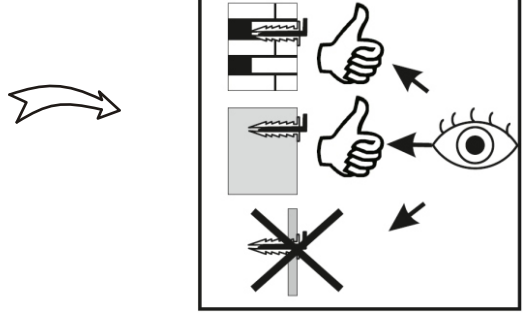
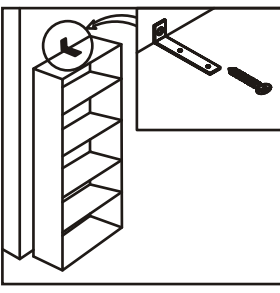
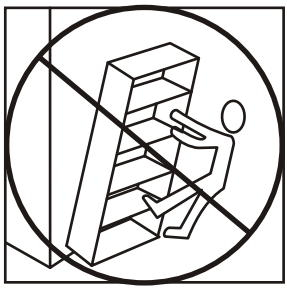
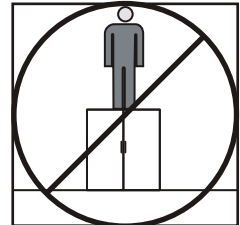
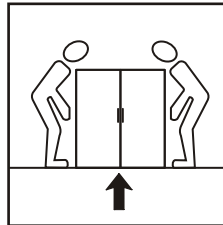
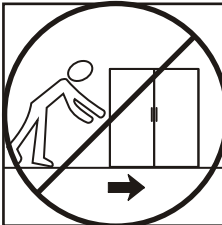
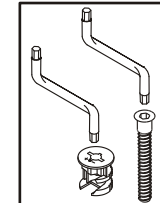
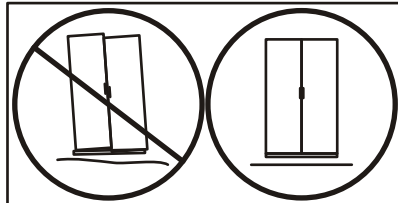
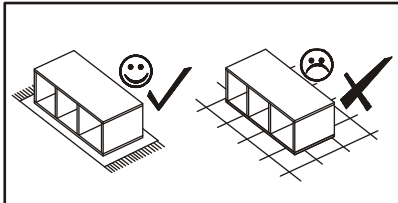
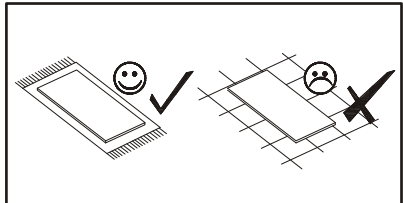
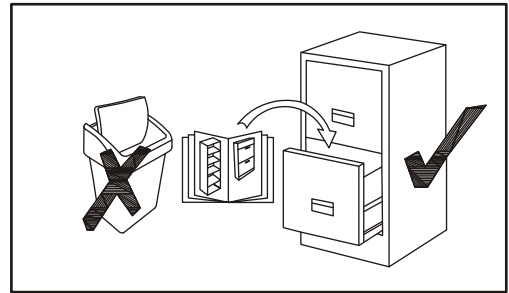
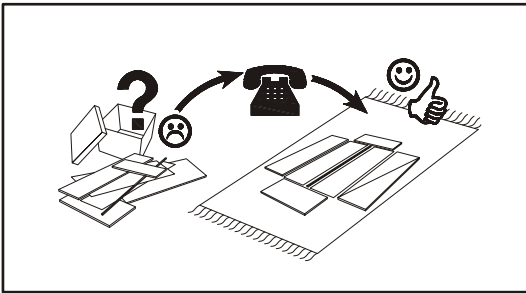
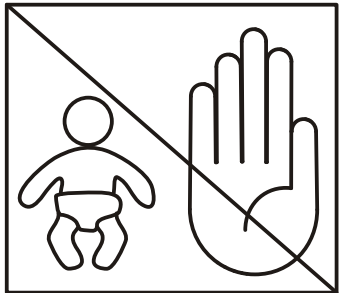
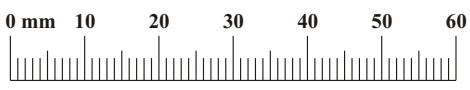
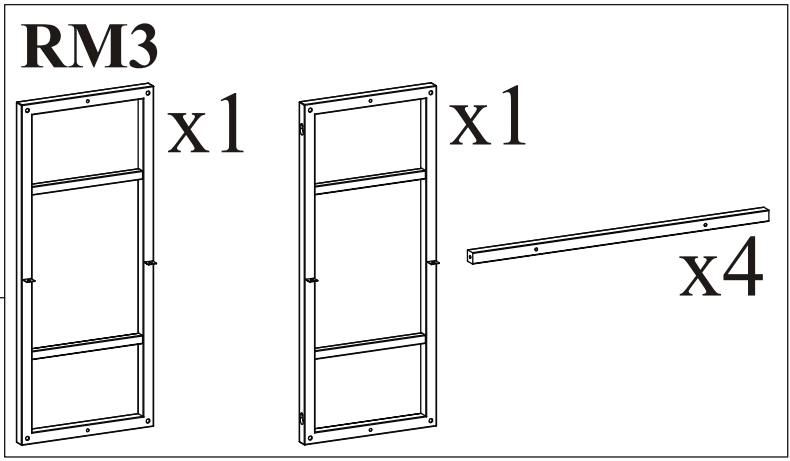
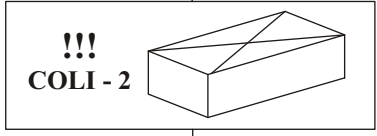
SWITCH 27_SW RM3



NO	Dim.			Col.-No	Qty
1	560	208	16	1	2
2	560	245	16	1	1

SWITCH 27__SW RM3

B5 x12	 Ø15x12	B20 x12		G5 x12		KR3 x4	 Ø10	G2 x1		UP13 x4	 UPØ3x16
D60 x8	 M6x30	G12 x8	 Ø14	GSZ x1							



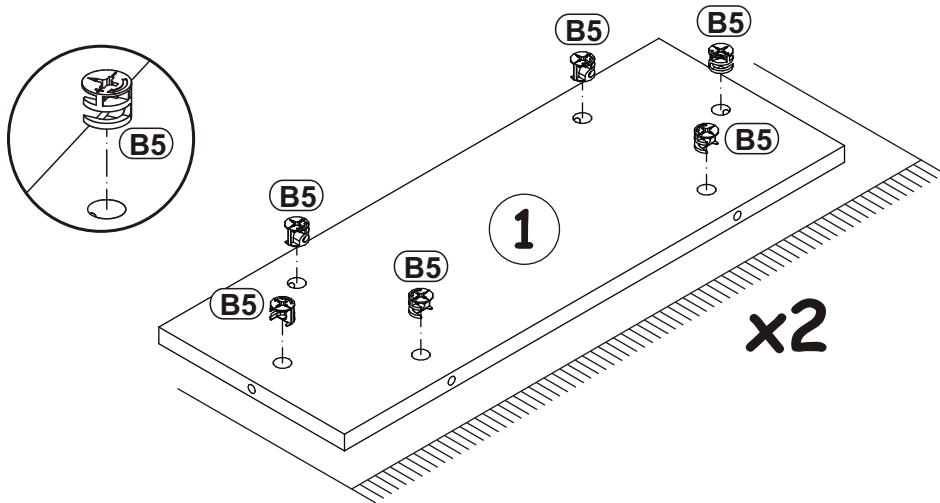
SWITCH 27__SW RM3

B5

x12



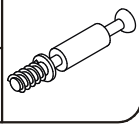
1



2

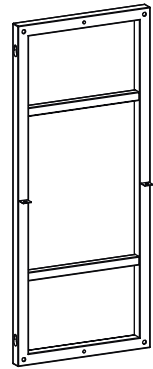
B20

x12

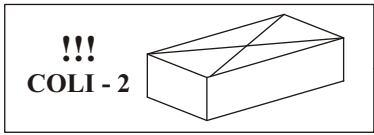


RM3

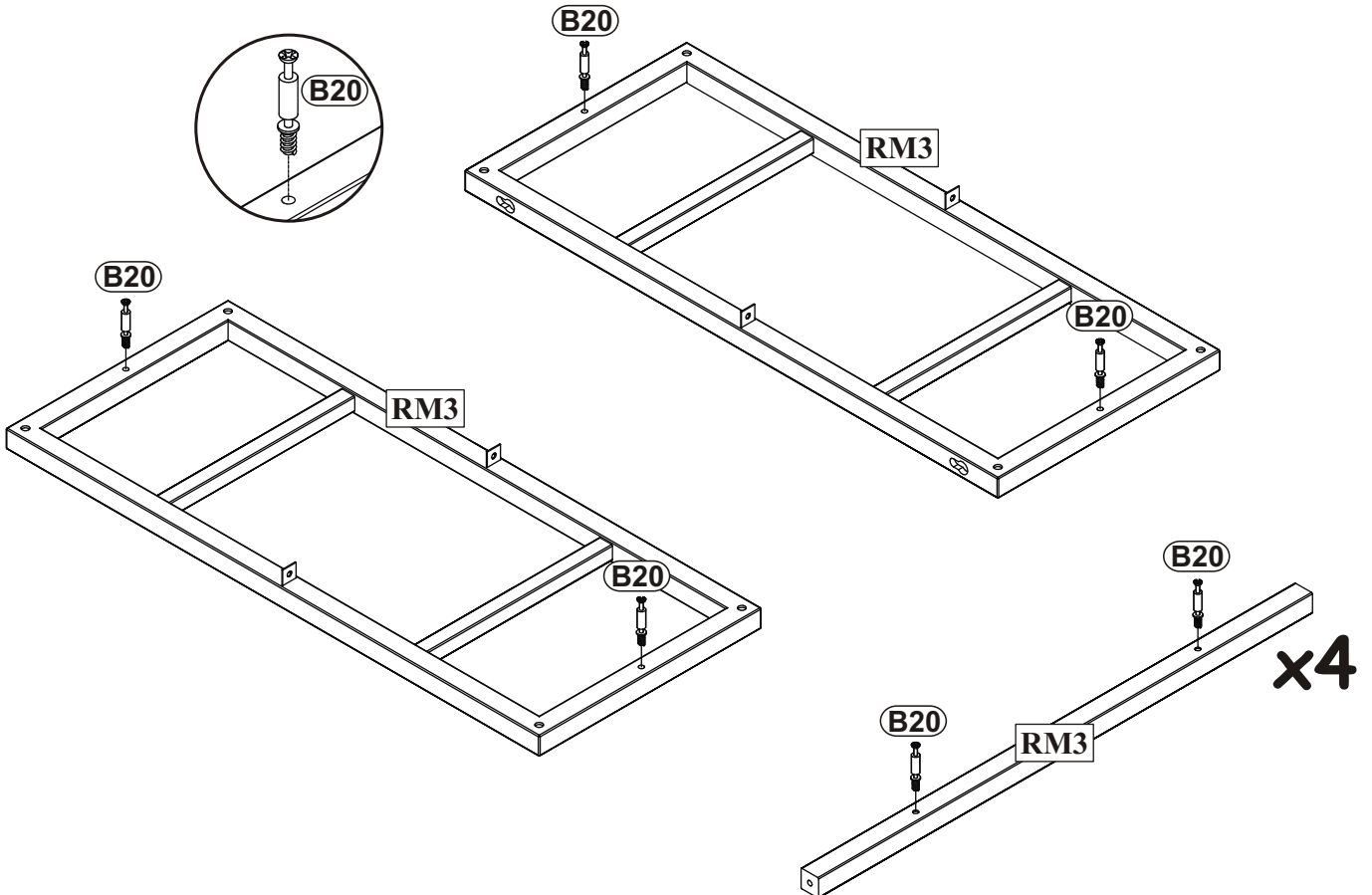
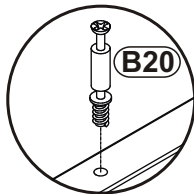
x1



x1

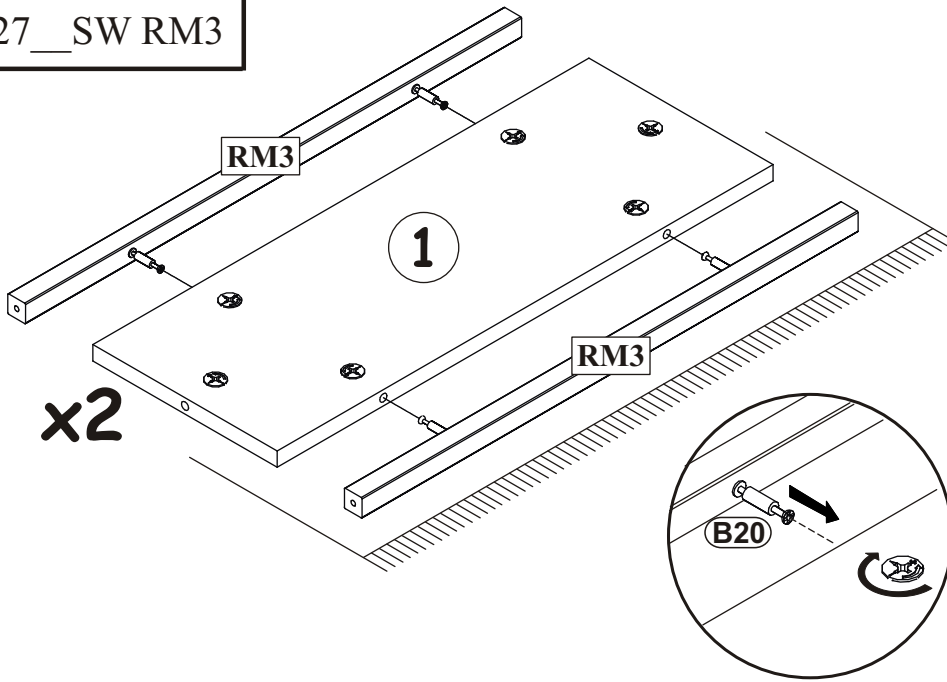


x4

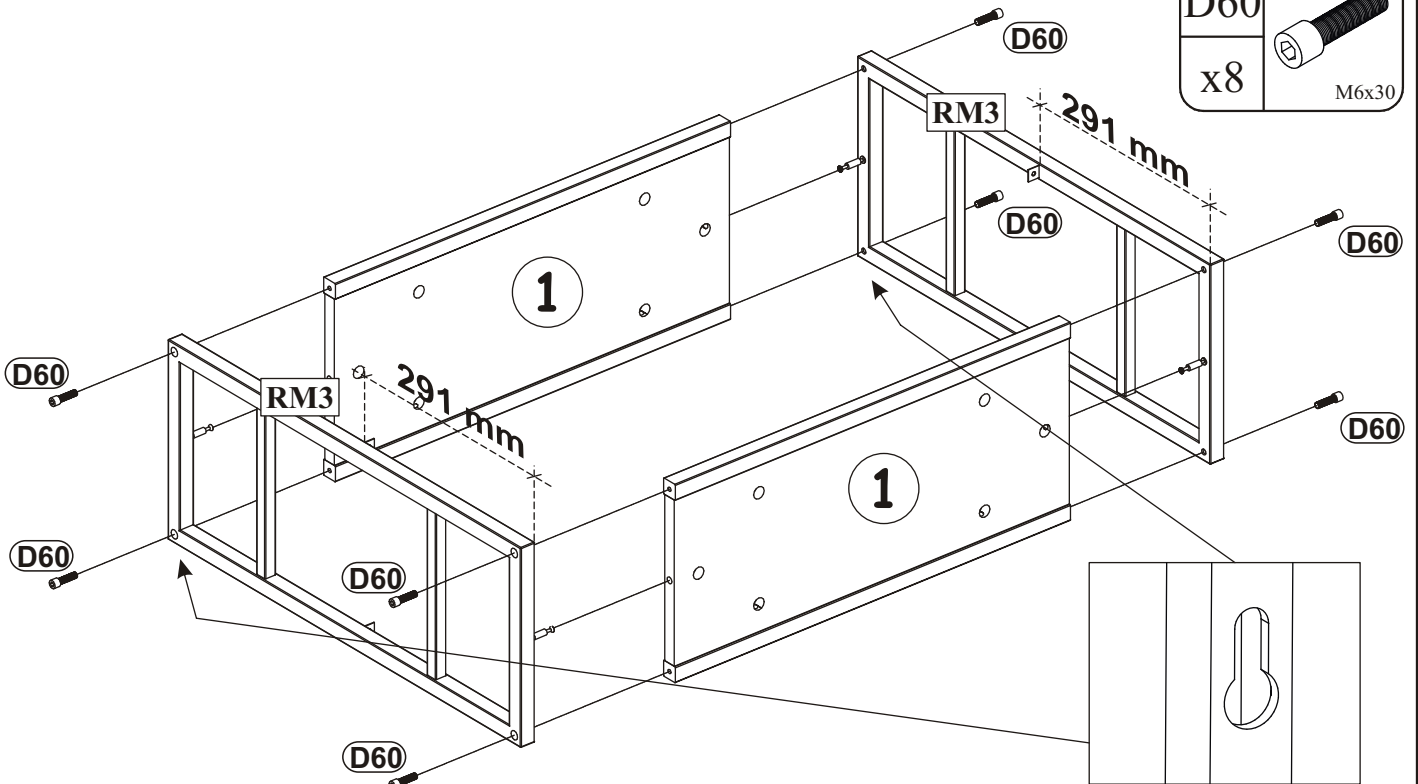
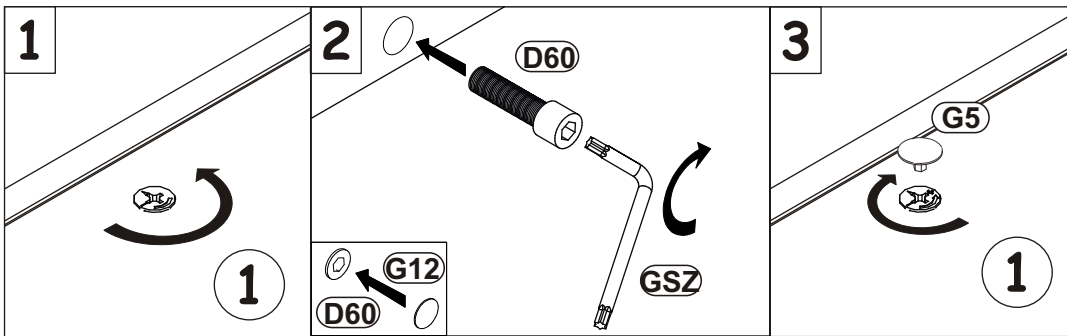


SWITCH 27_SW RM3


3



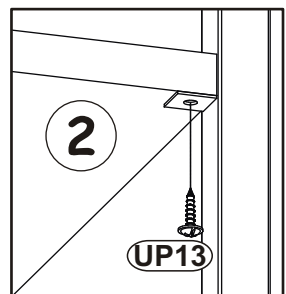
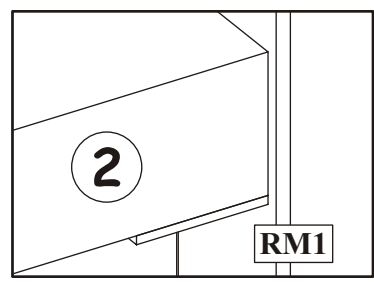
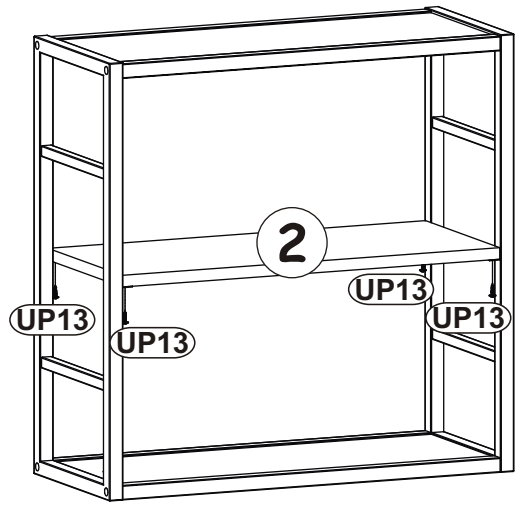
4



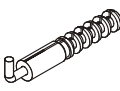
SWITCH 27_SW RM3

UP13	
x4	UPØ3x16

5



6

KR3	
x4	Ø10

