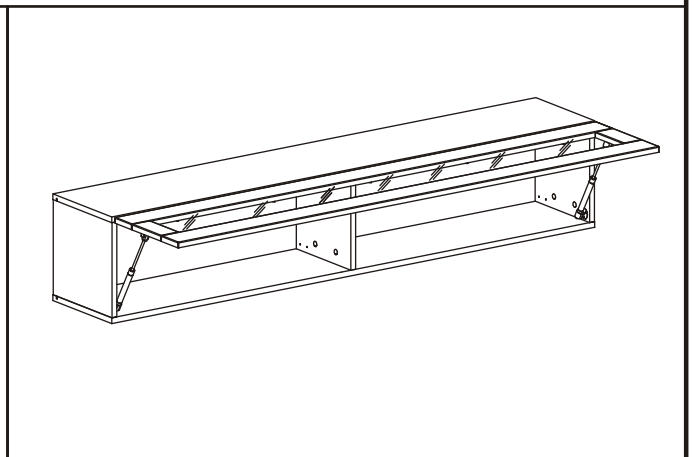
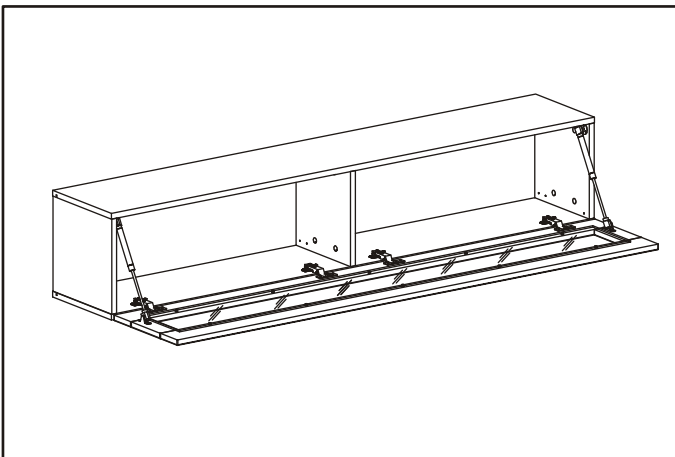
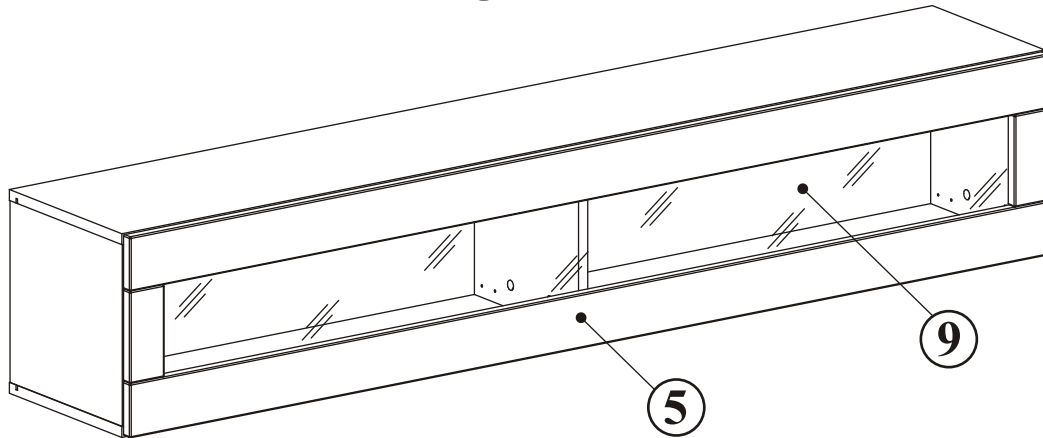
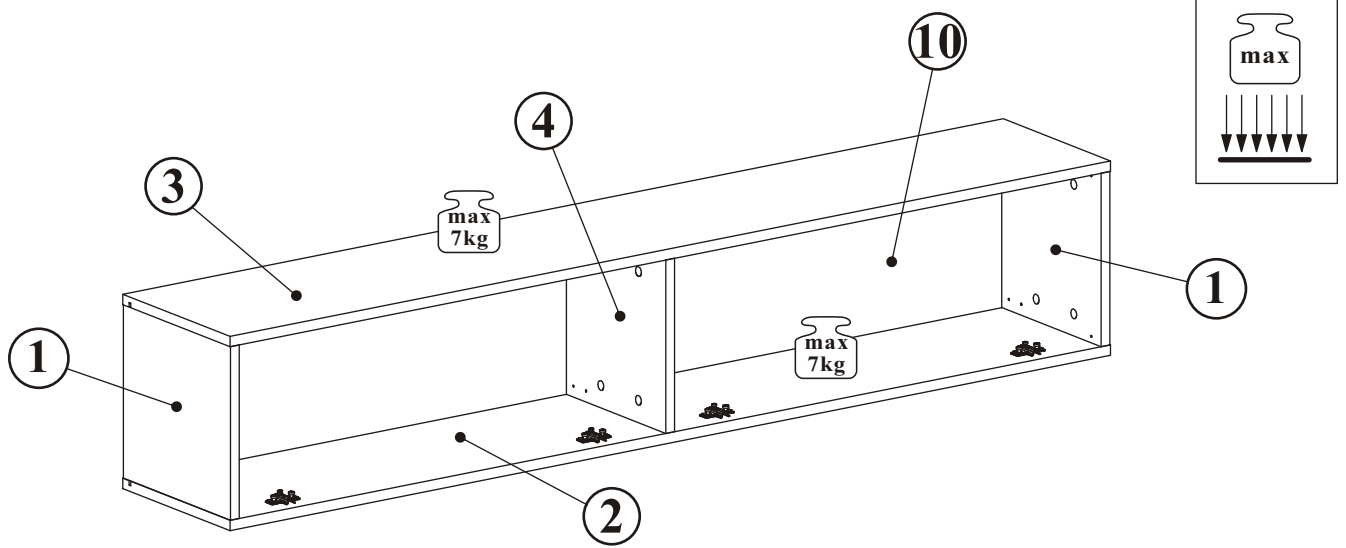
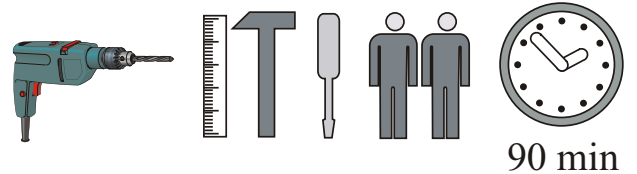


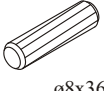
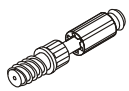


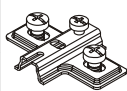
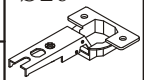

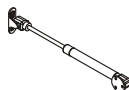
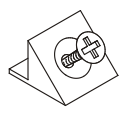
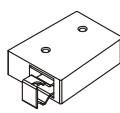





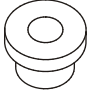
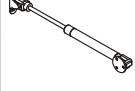
FLY TYP-51

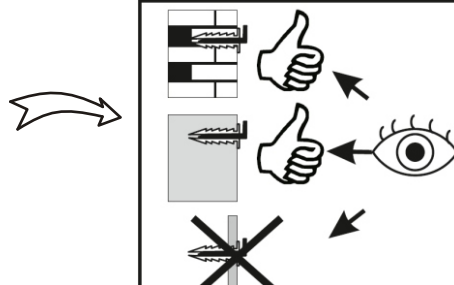
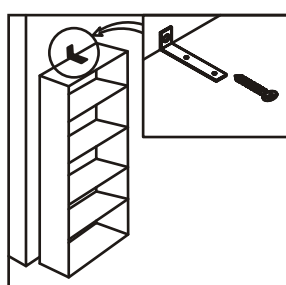
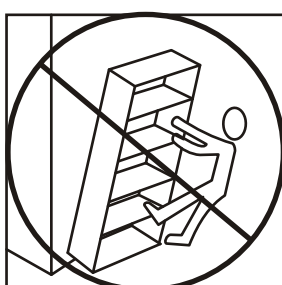
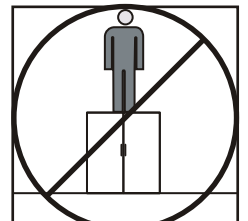
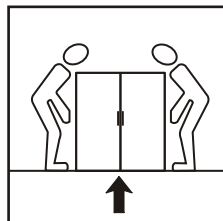
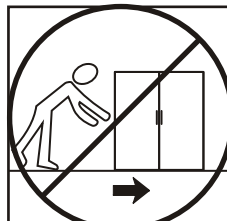
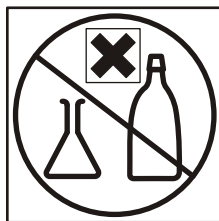
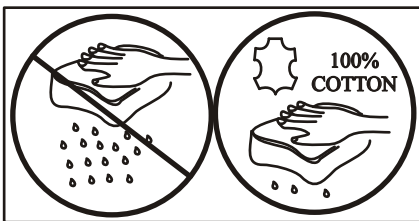
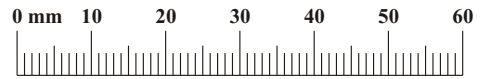


NO	Dim.		Col.-No	Qty
1	268	274	16	2
2	1602	274	16	1
3	1602	274	16	1
4	268	244	16	1
10	1580	280	3	1
5	1596	296	16	1
9	1496	176	4	1



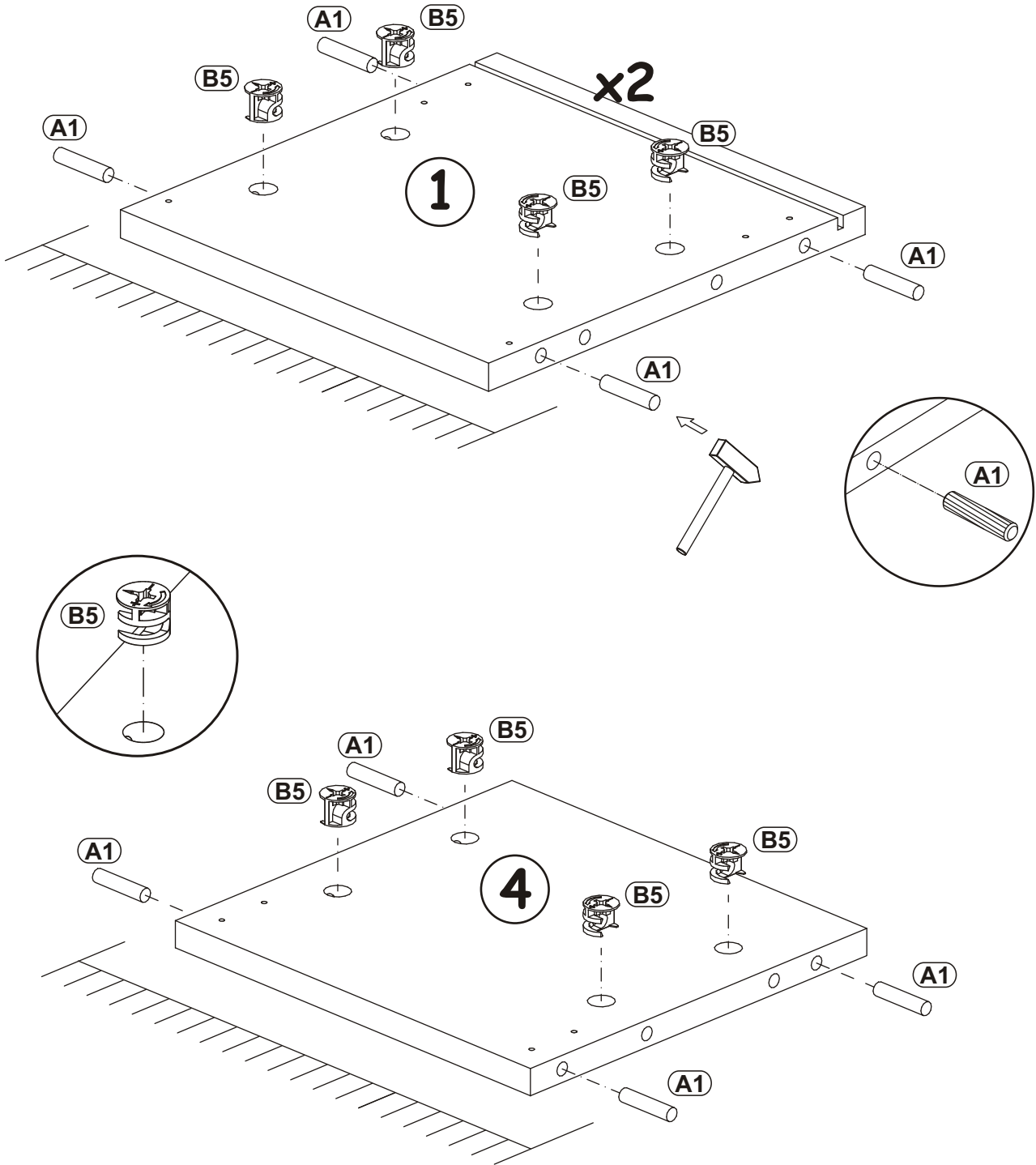
FLY TYP-51

A1 x12  ø8x36	B4 x12 	B5 x12  ø15x12	G5 x12 	E2 x4  H=0	E1 x4  H=0
T1 x2 	BO1 x2 	S1 x12 	ZR1 x3 	D6 x6  USØ3,5x30	D10 x22  USØ3,5x13
UP13 x12  UPØ3x16	G2 x1 	KR2 x3 	P2 x10 	BP1 x2 	



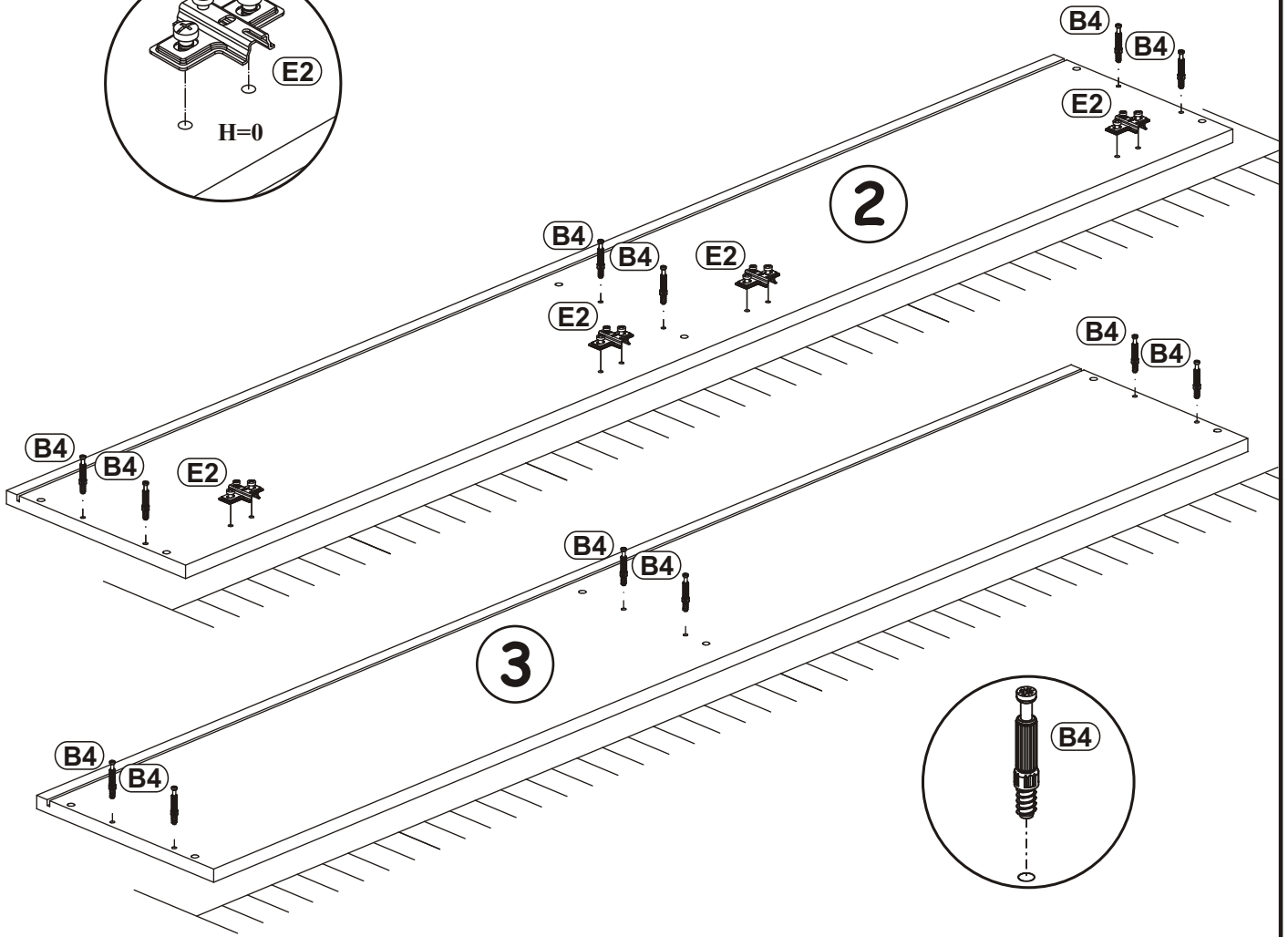
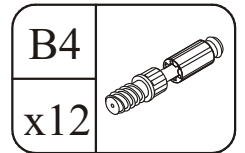
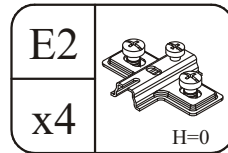
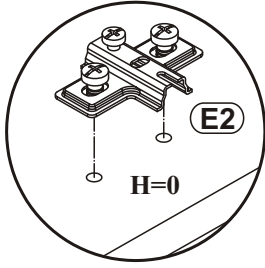
B5		A1	
x12	ø15x12	x12	ø8x36

1

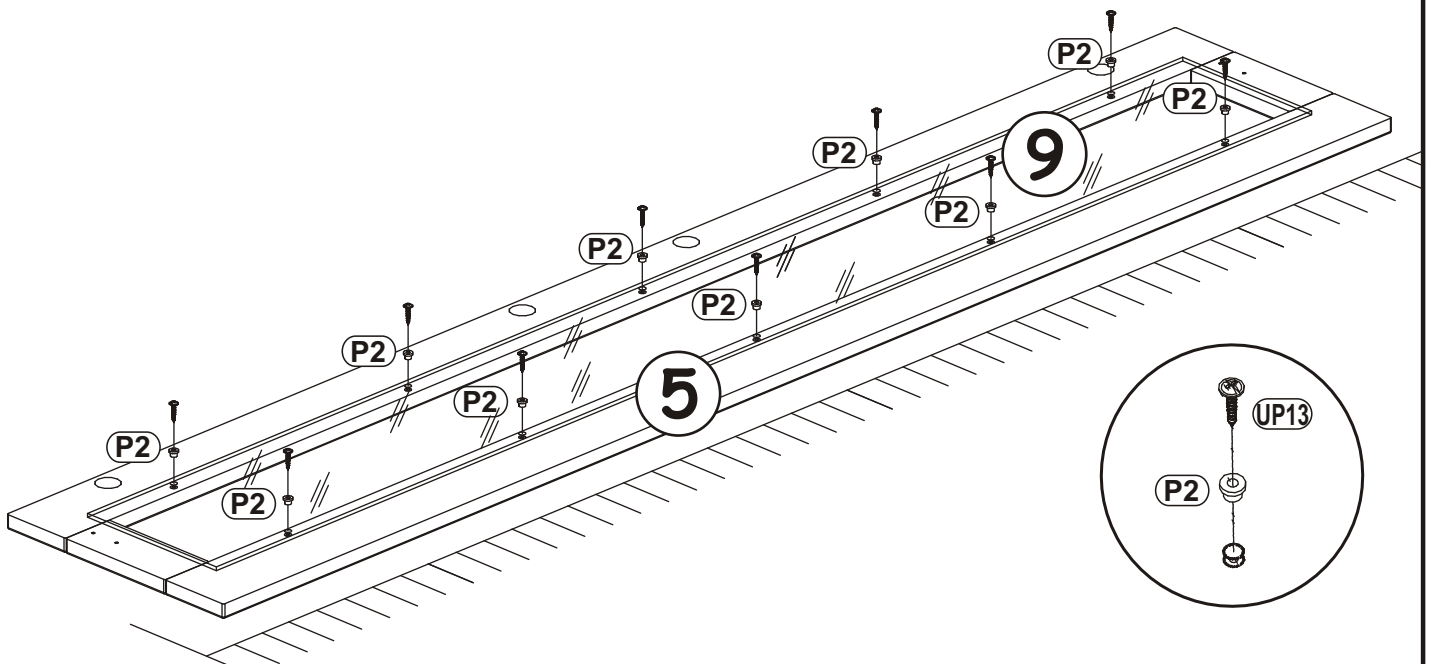
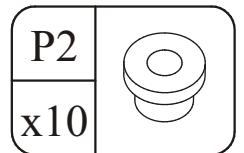
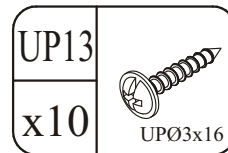


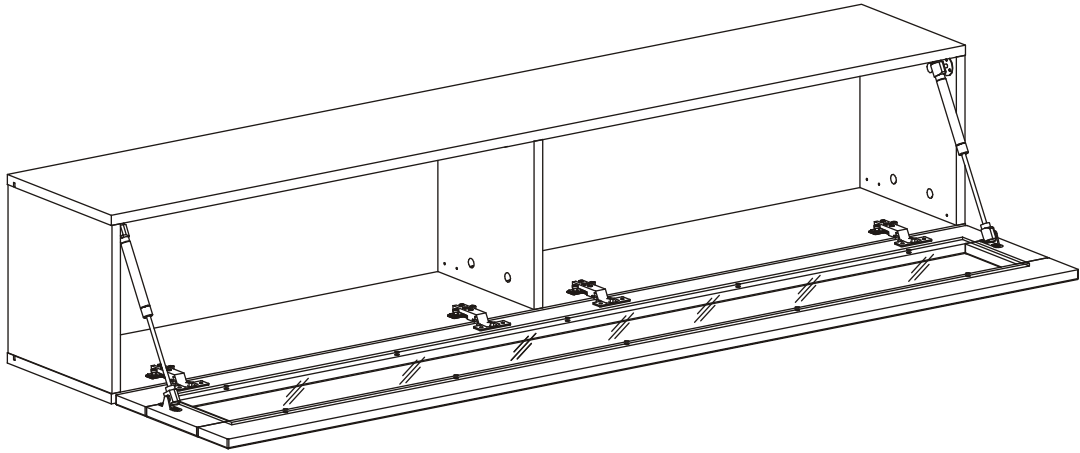
FLY TYP-51

2

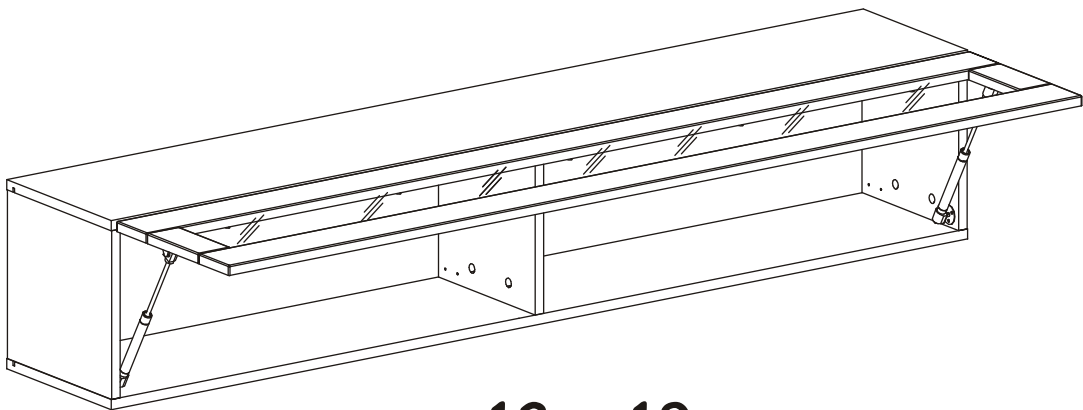


3






4 - 11

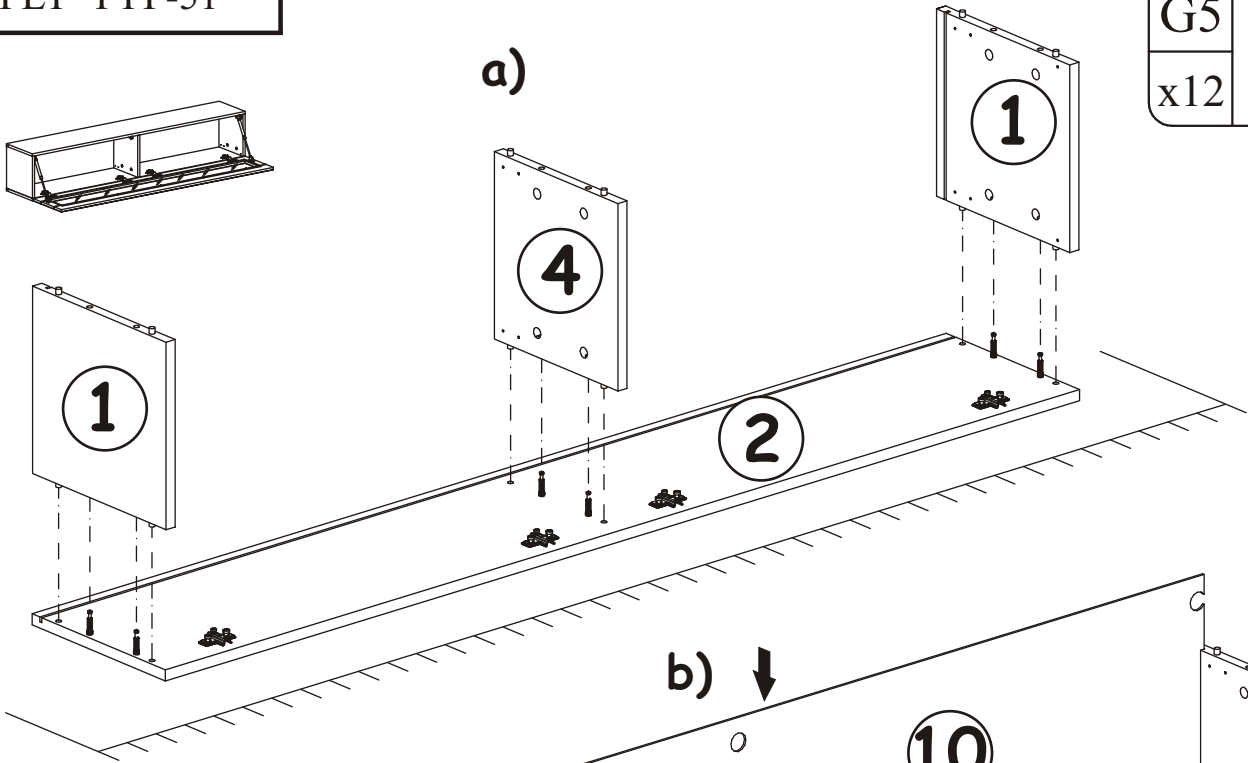


12 - 19

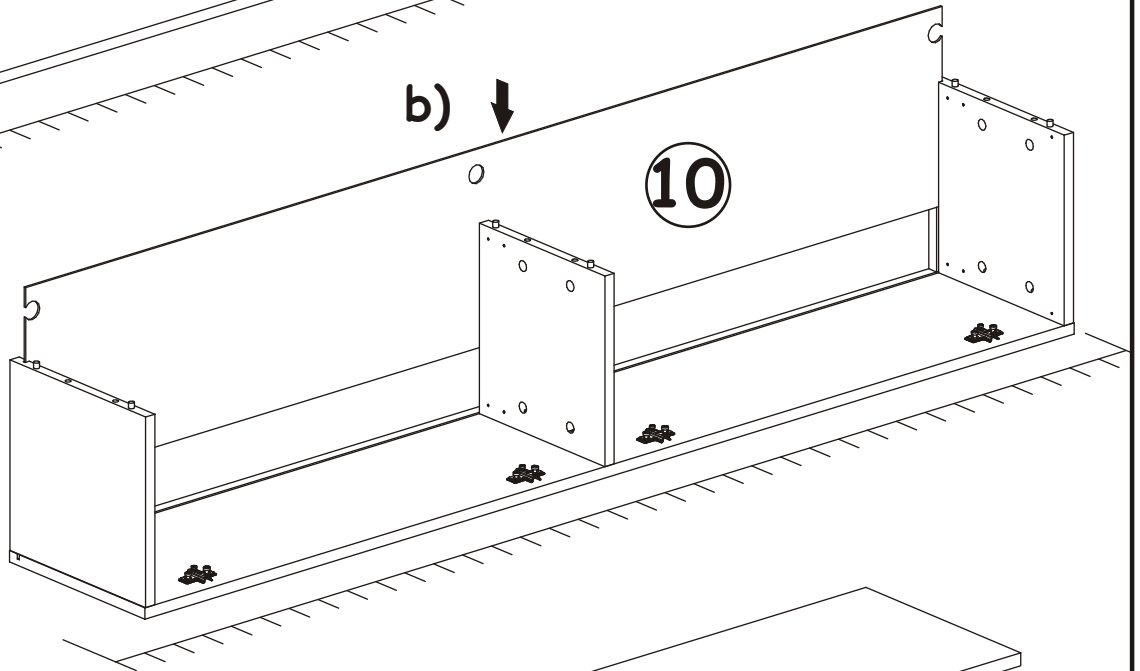
4

G5	
x12	

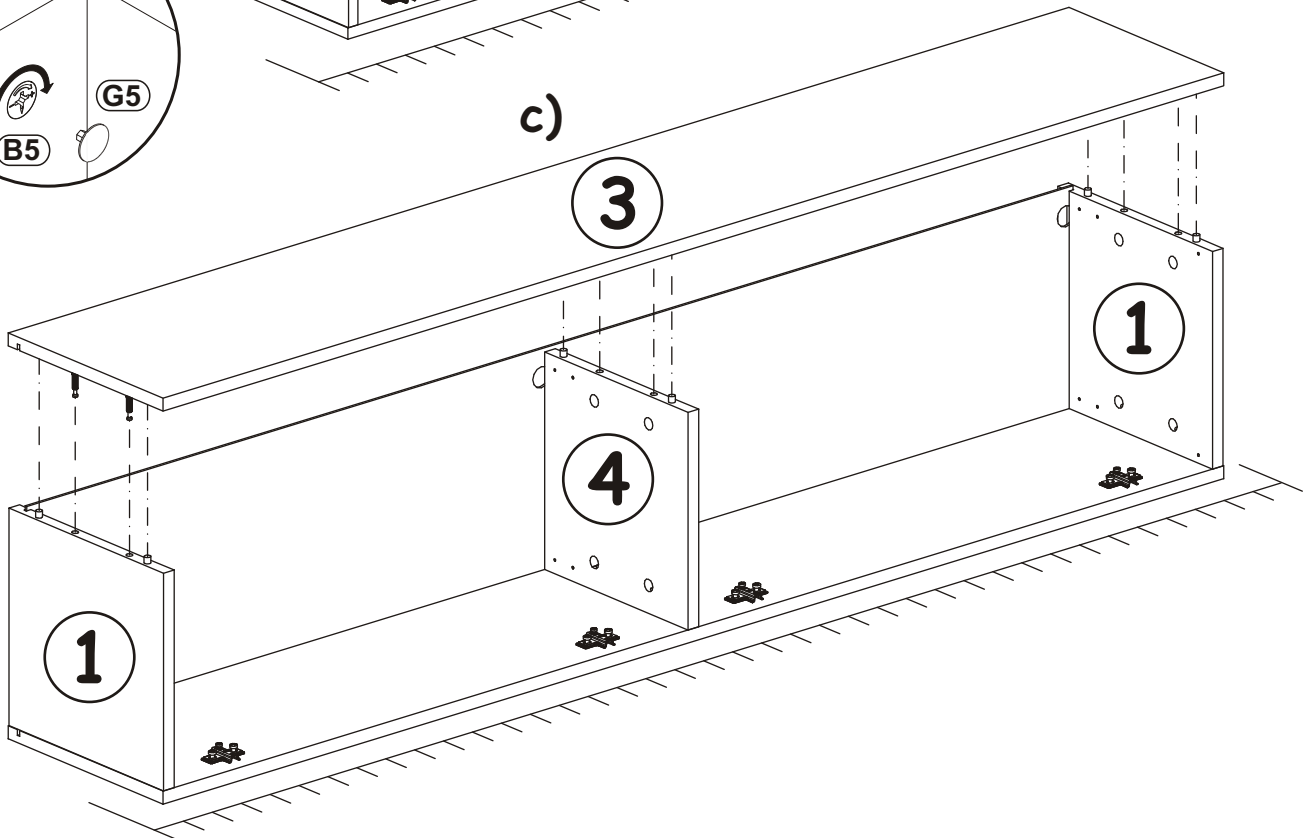
a)



b) ↓

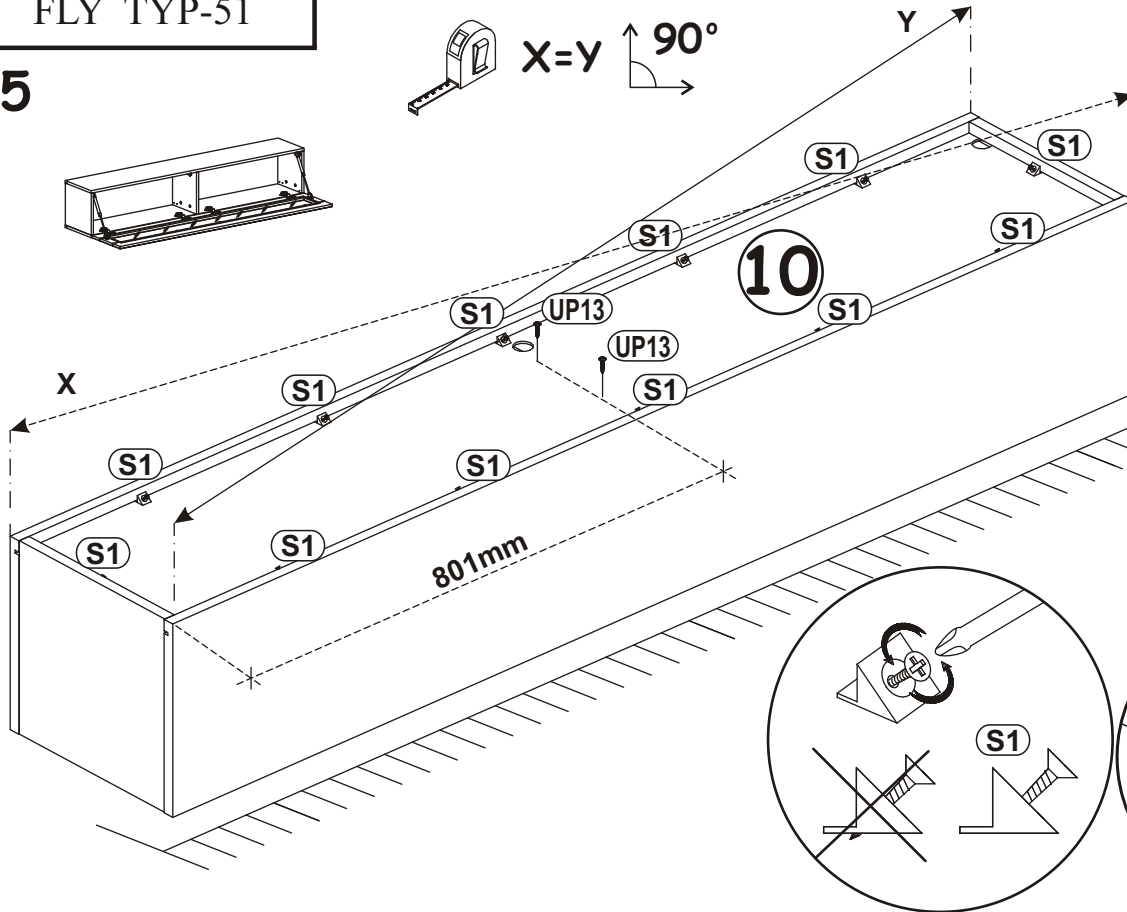


c)



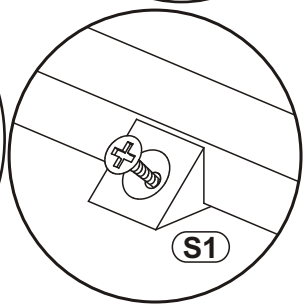
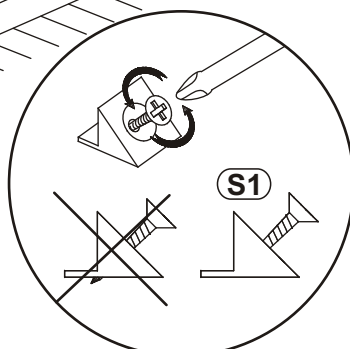
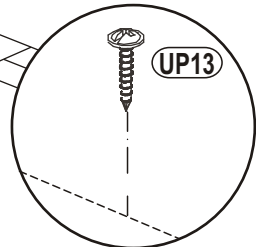
FLY TYP-51

5

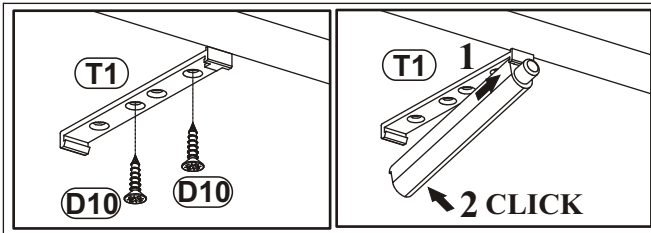


UP13	
x2	UP03x16

S1	
x12	



6

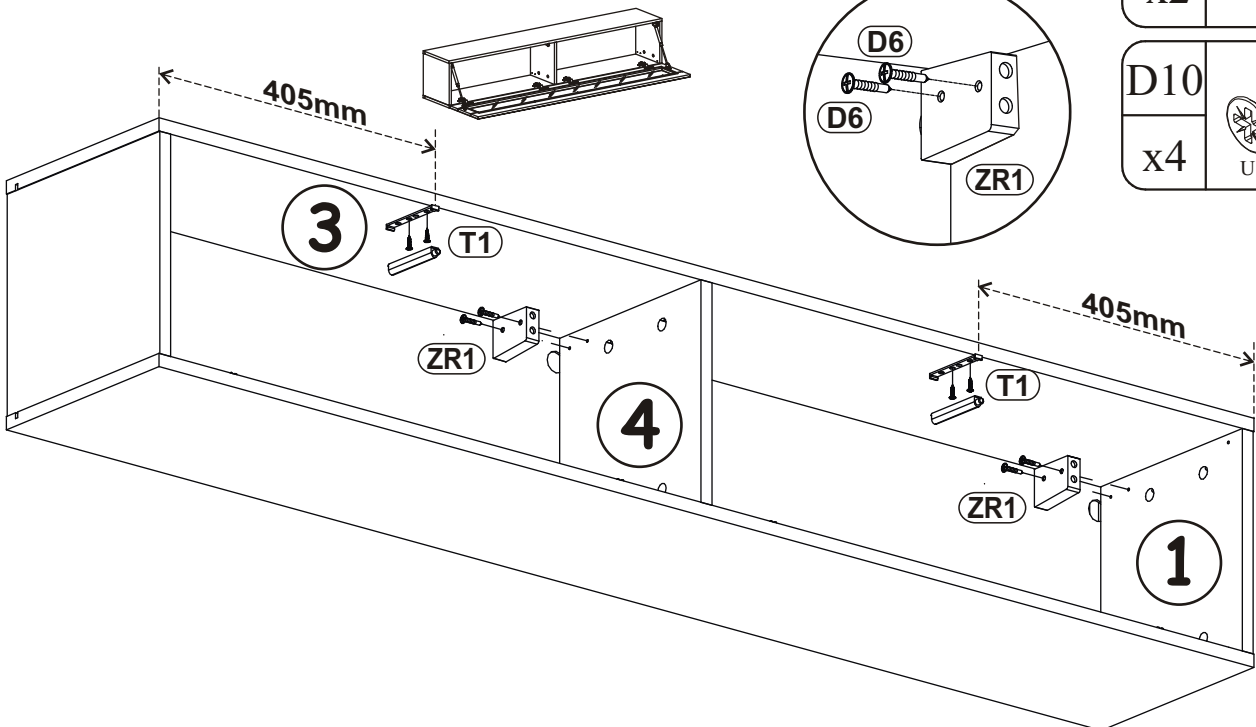
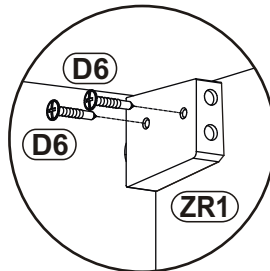


ZR1	
x2	

D6	
x4	US03,5x30

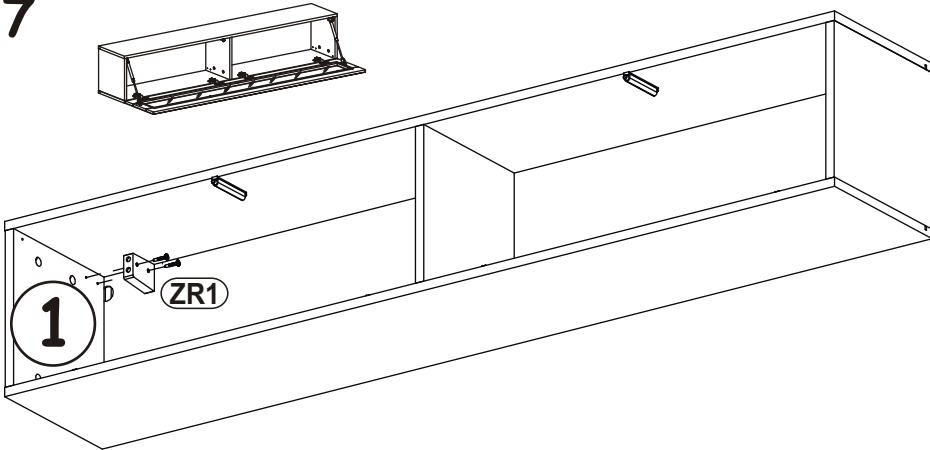
T1	
x2	

D10	
x4	US03,5x13

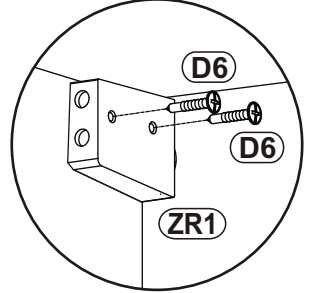


FLY TYP-51

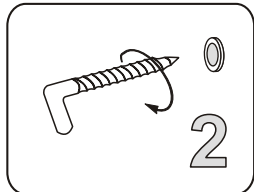
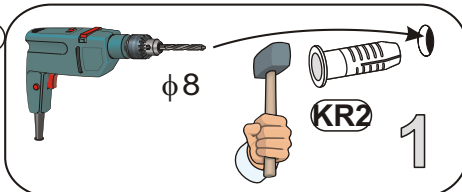
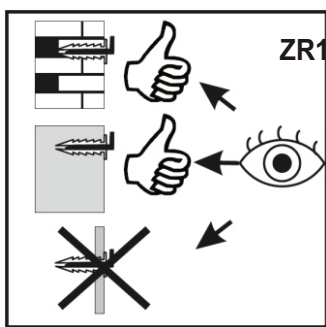
7



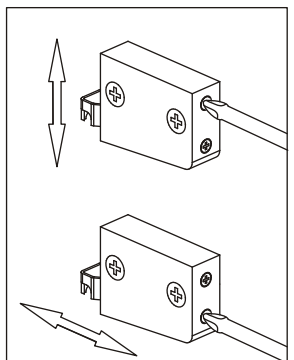
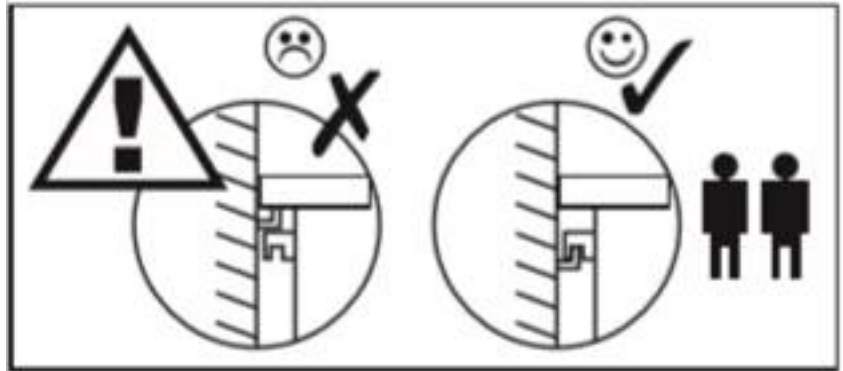
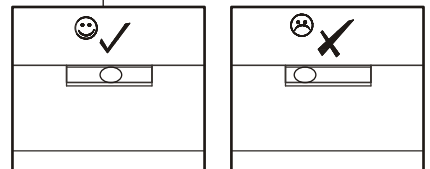
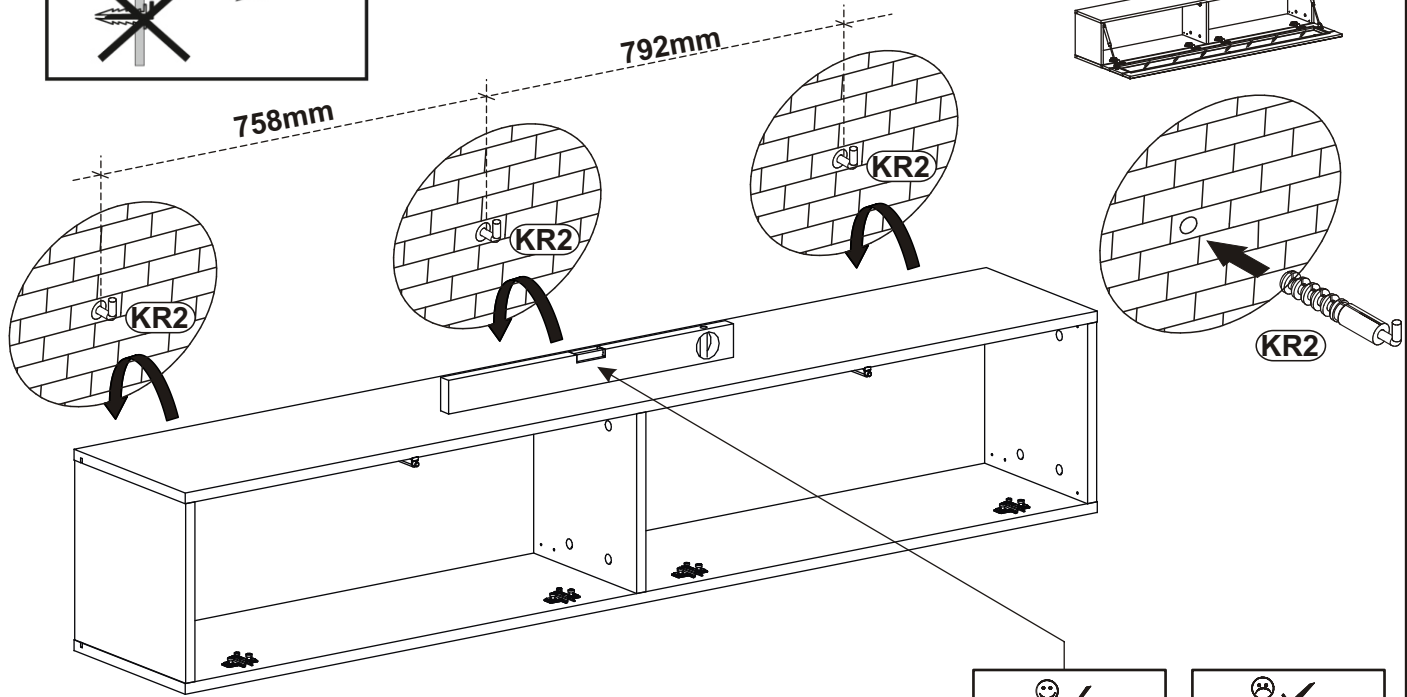
ZR1		D6	
x1		x2	USØ3,5x30



8

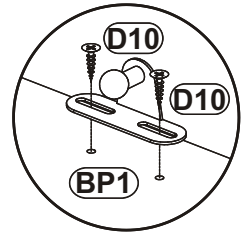
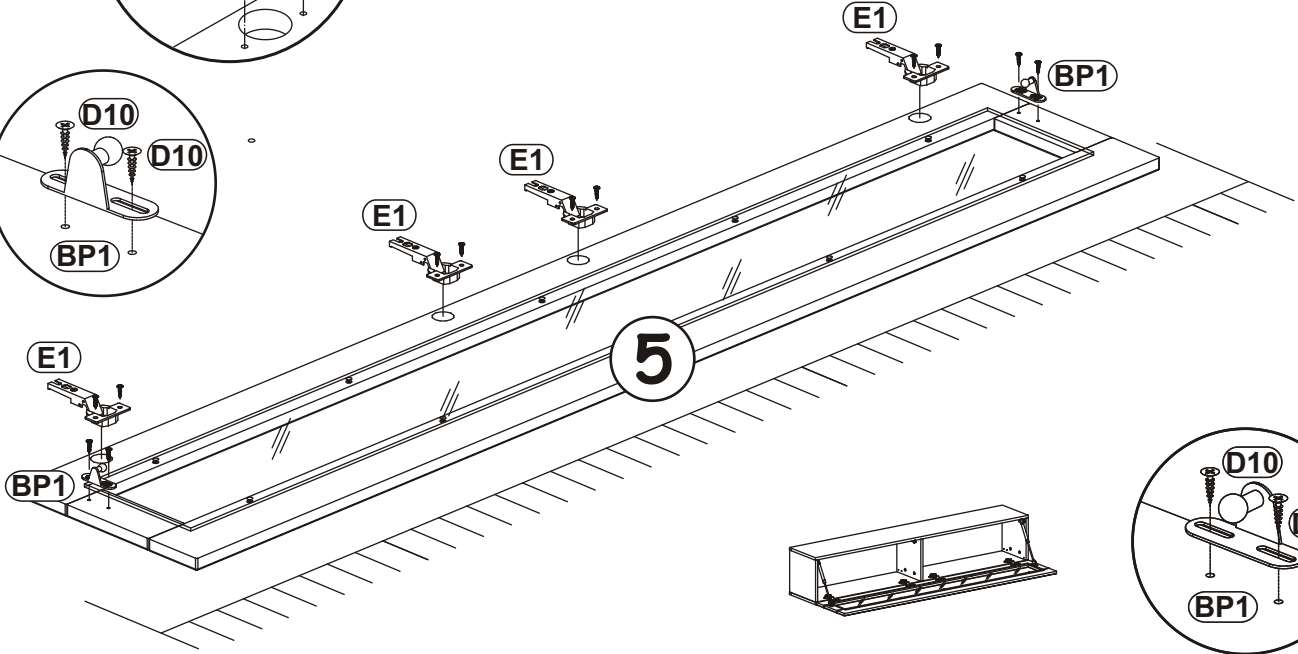
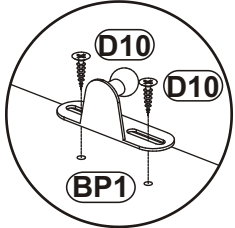
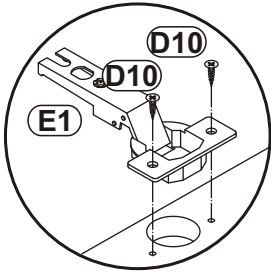
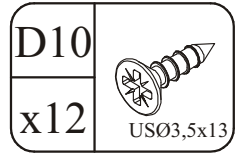
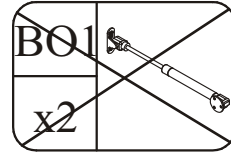
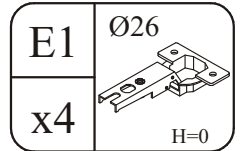
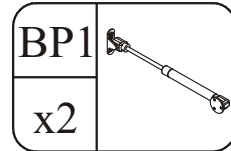
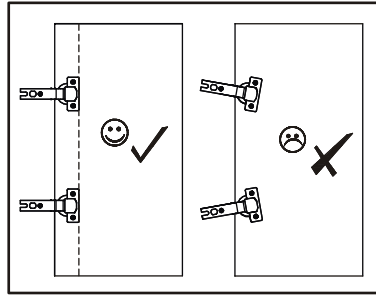


KR2	
x3	

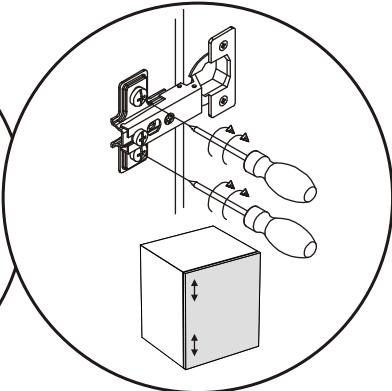
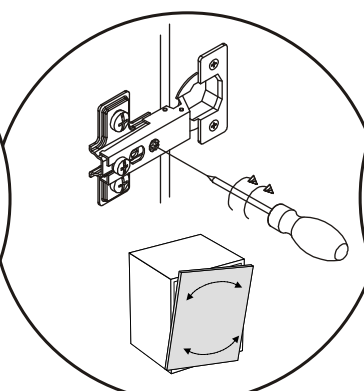
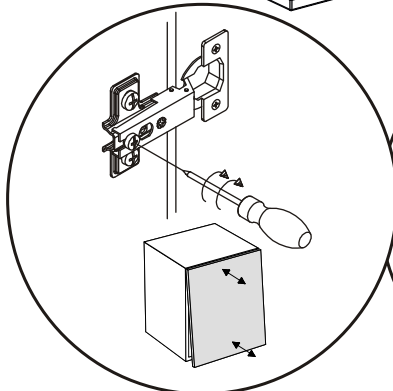
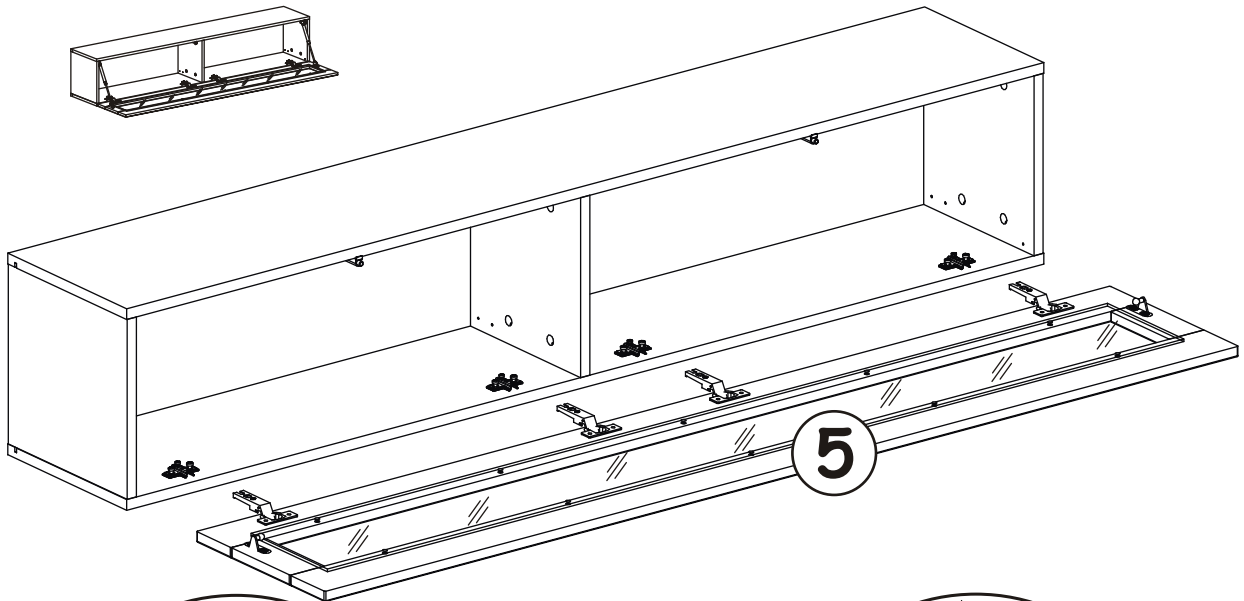


FLY TYP-51


9

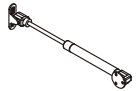


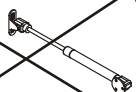
10

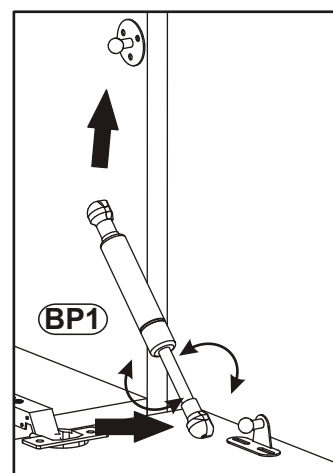
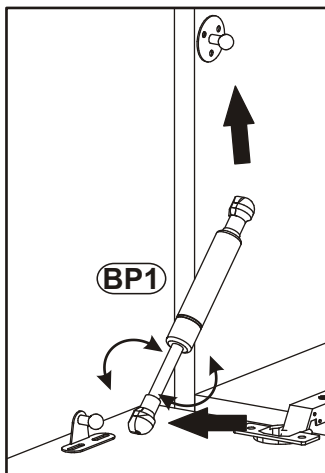
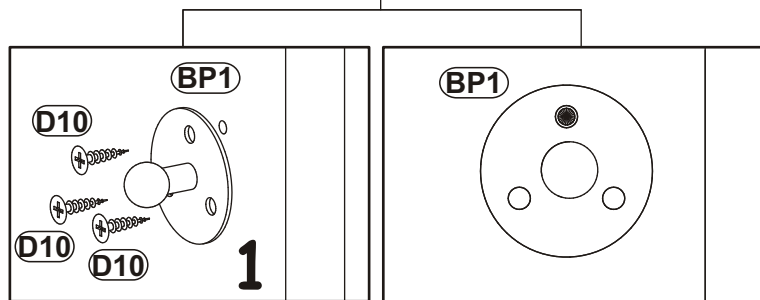
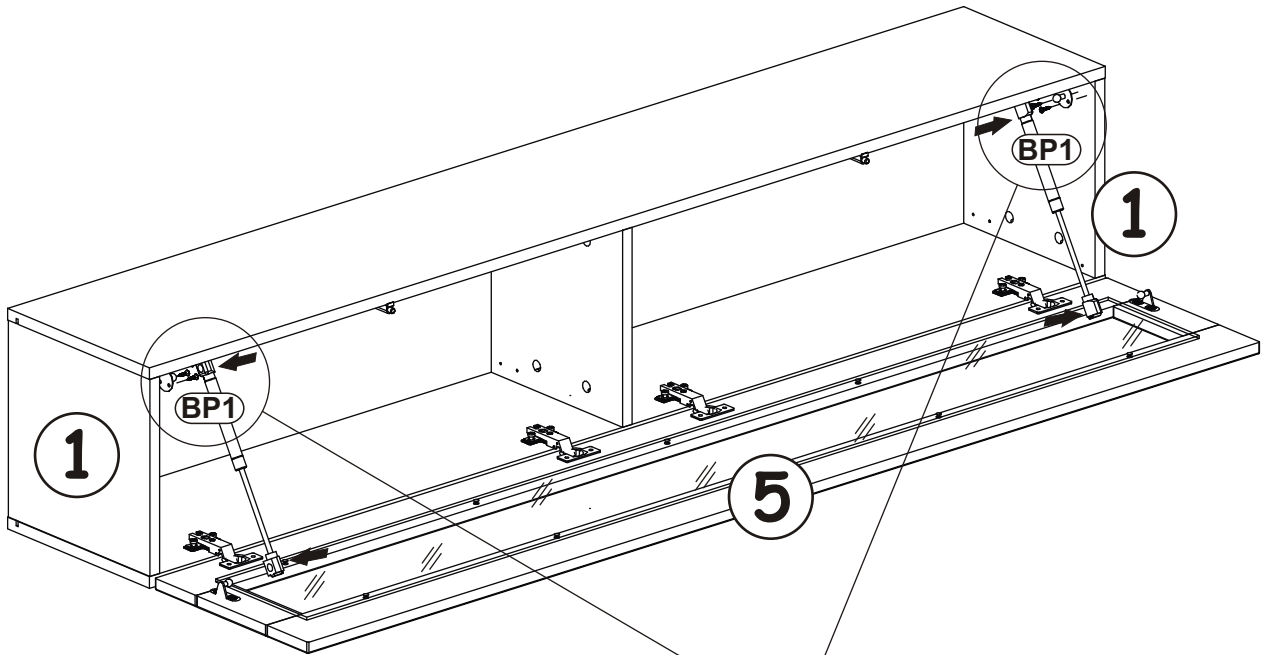
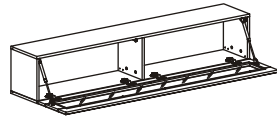


11

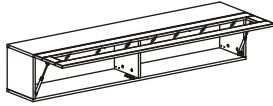
D10	
x6	USØ3,5x13

BP1	
x2	

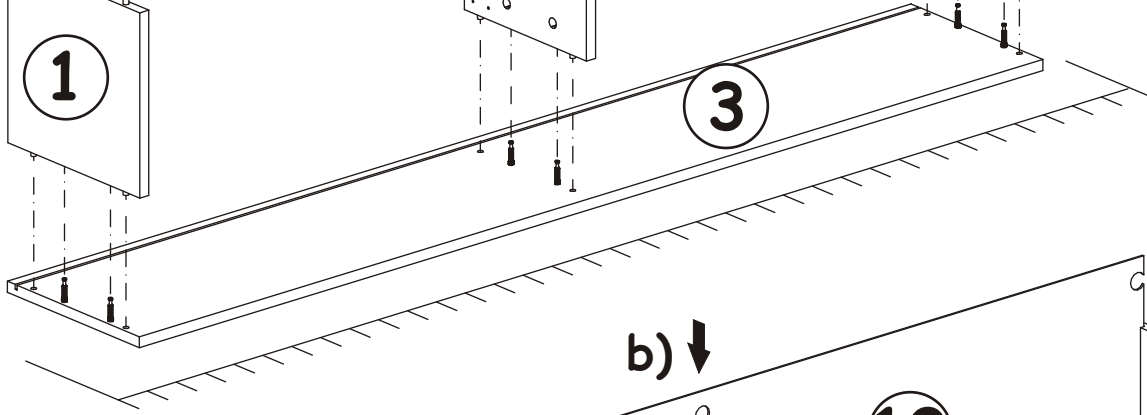
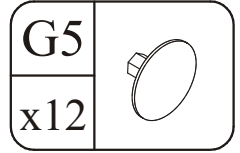
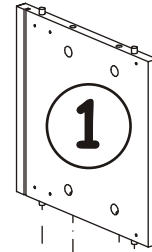
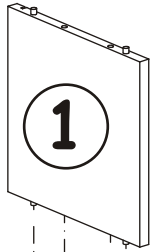
BO1	
x2	



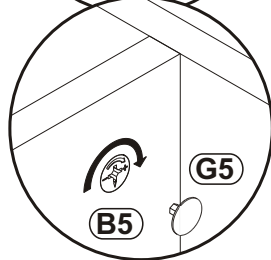
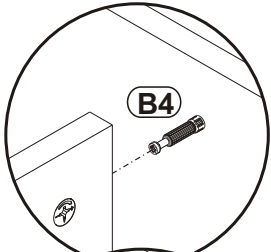
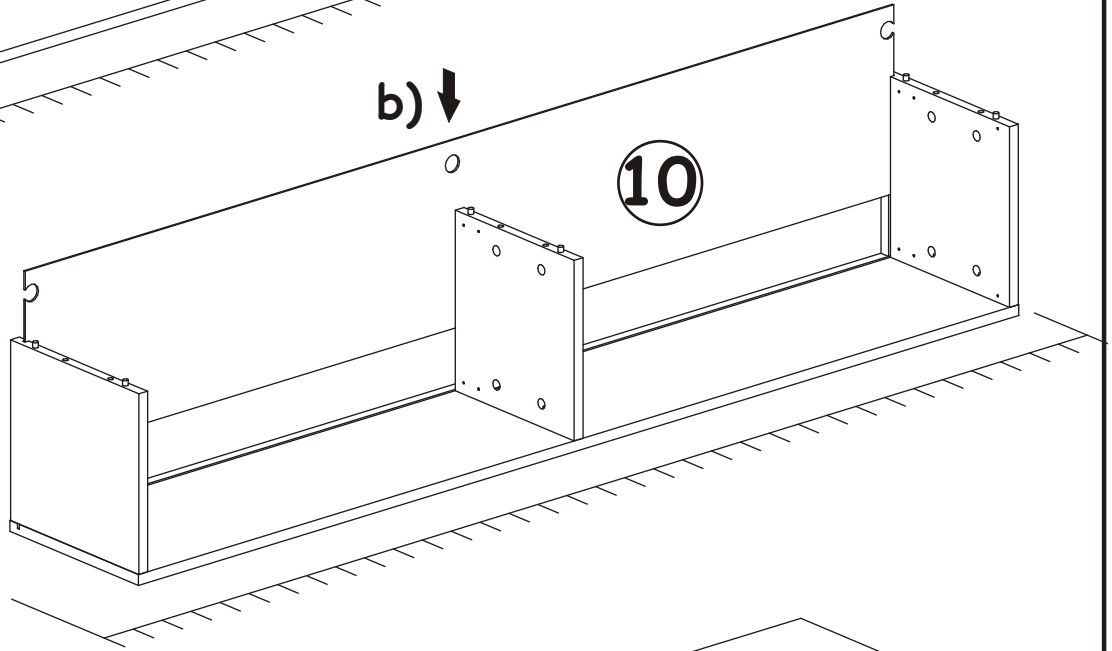
12



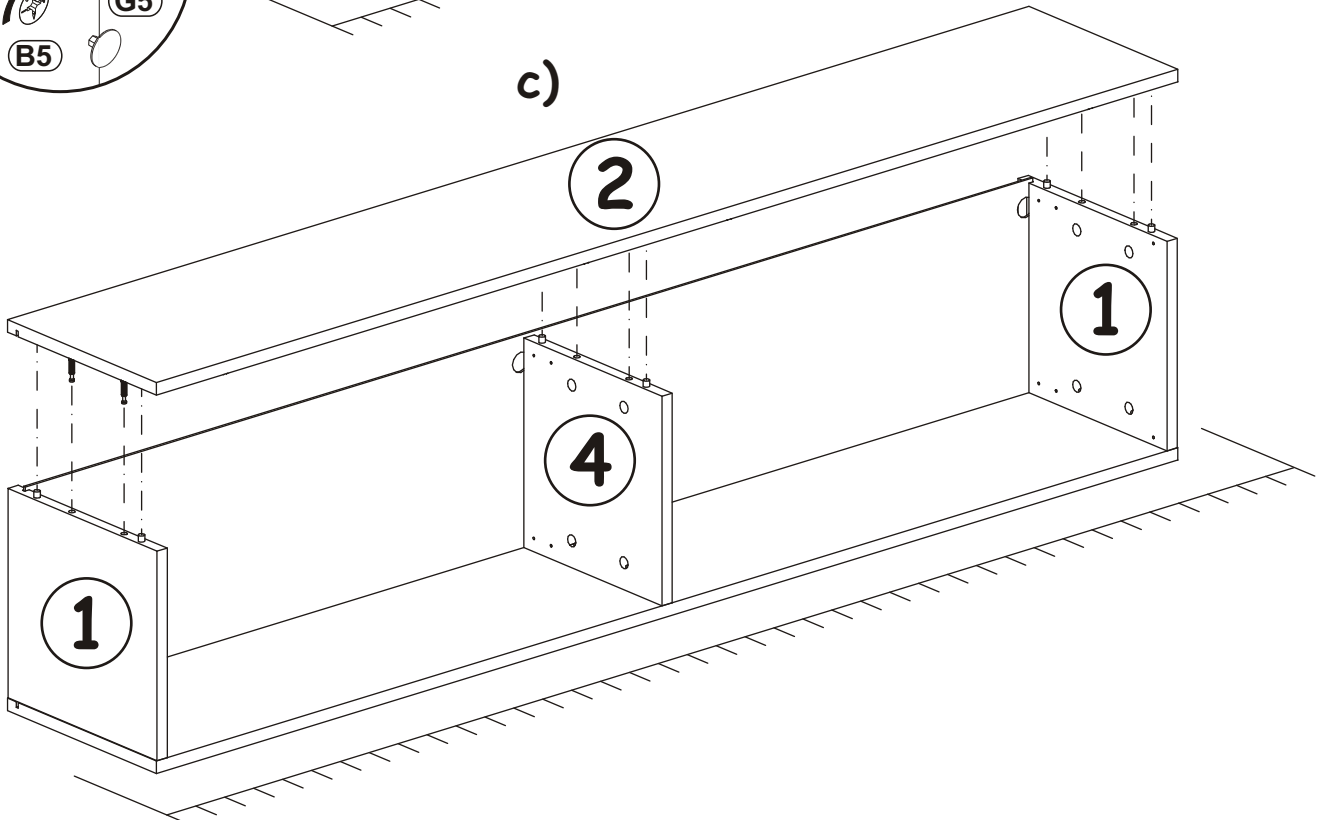
a)



b) ↓

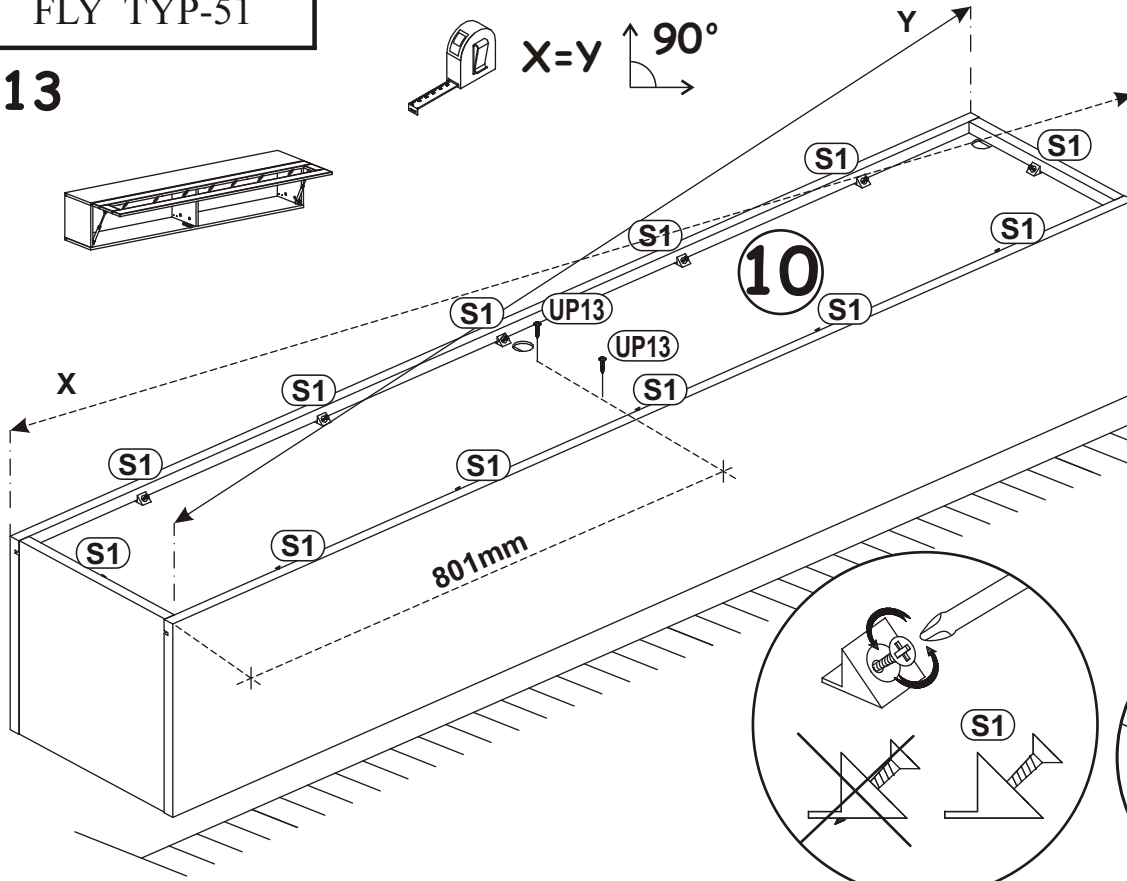


c)



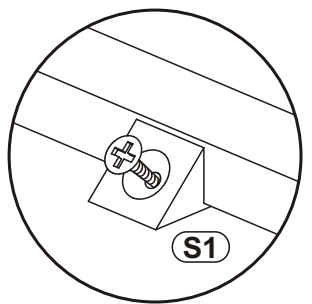
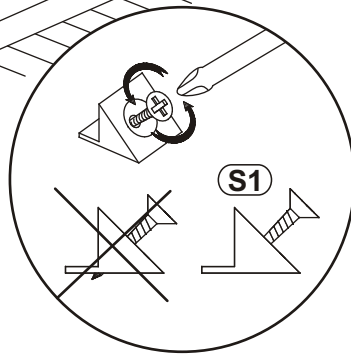
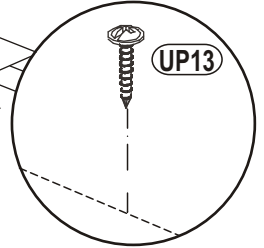
FLY TYP-51

13

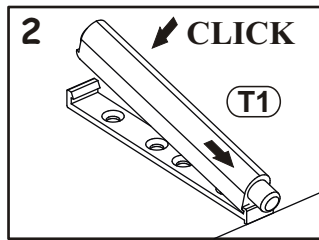
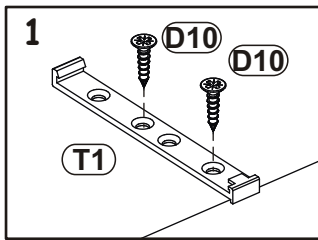


UP13	
x2	UP03x16

S1	
x12	



14

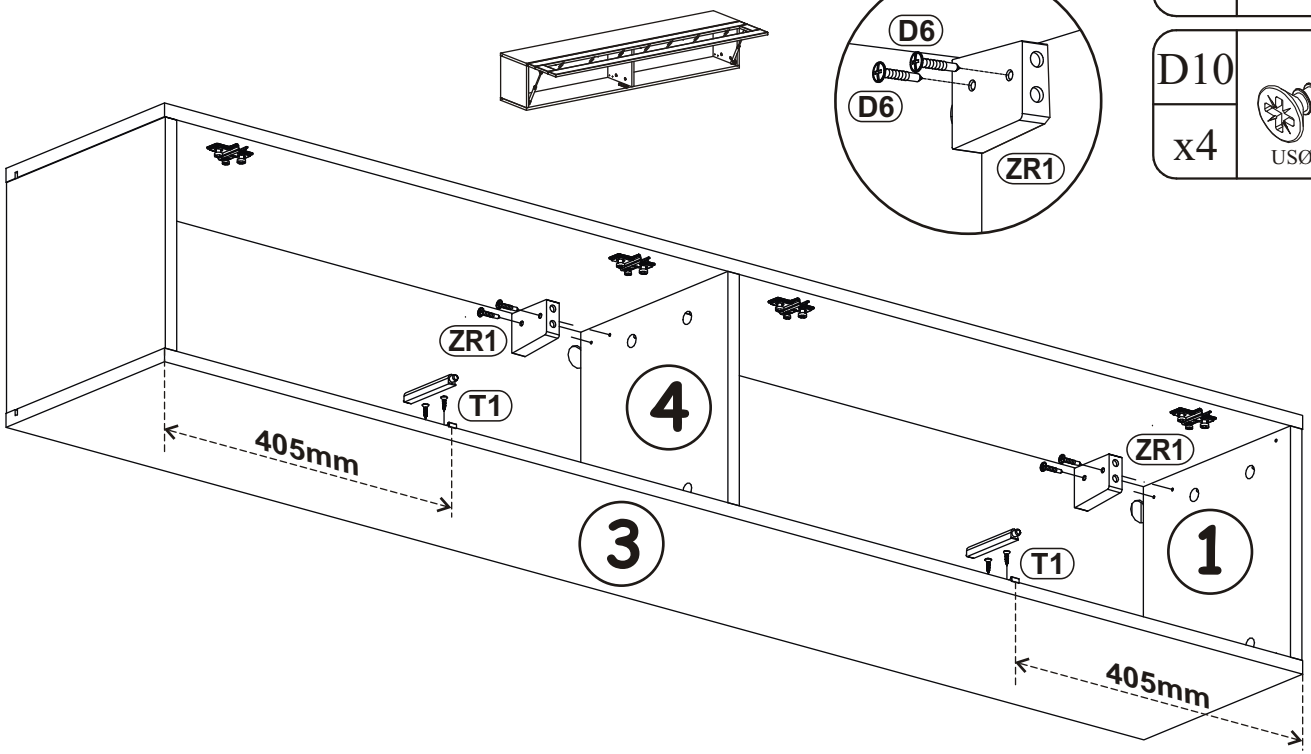
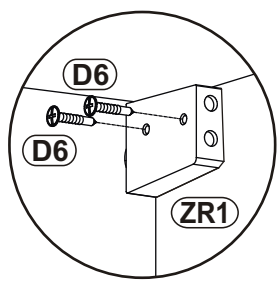


ZR1	
x2	

D6	
x4	US03,5x30

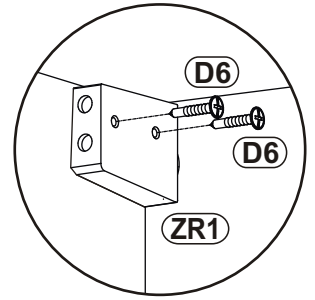
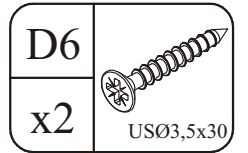
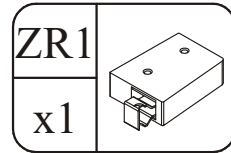
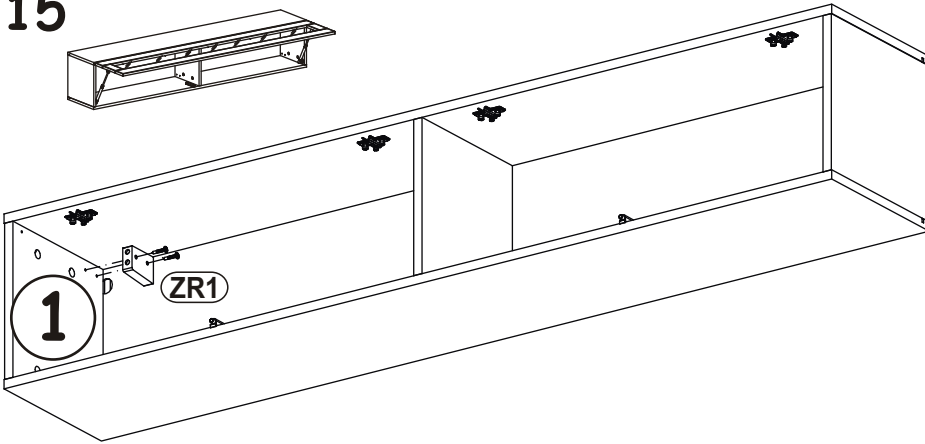
T1	
x2	

D10	
x4	US03,5x13

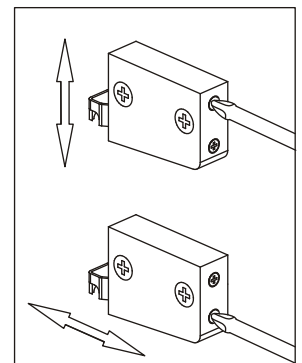
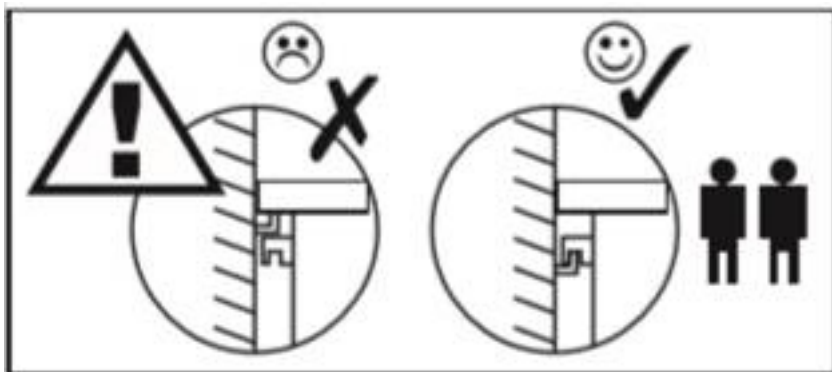
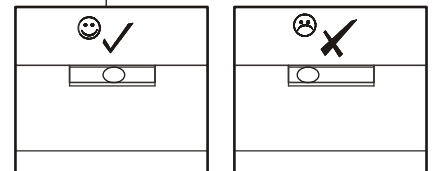
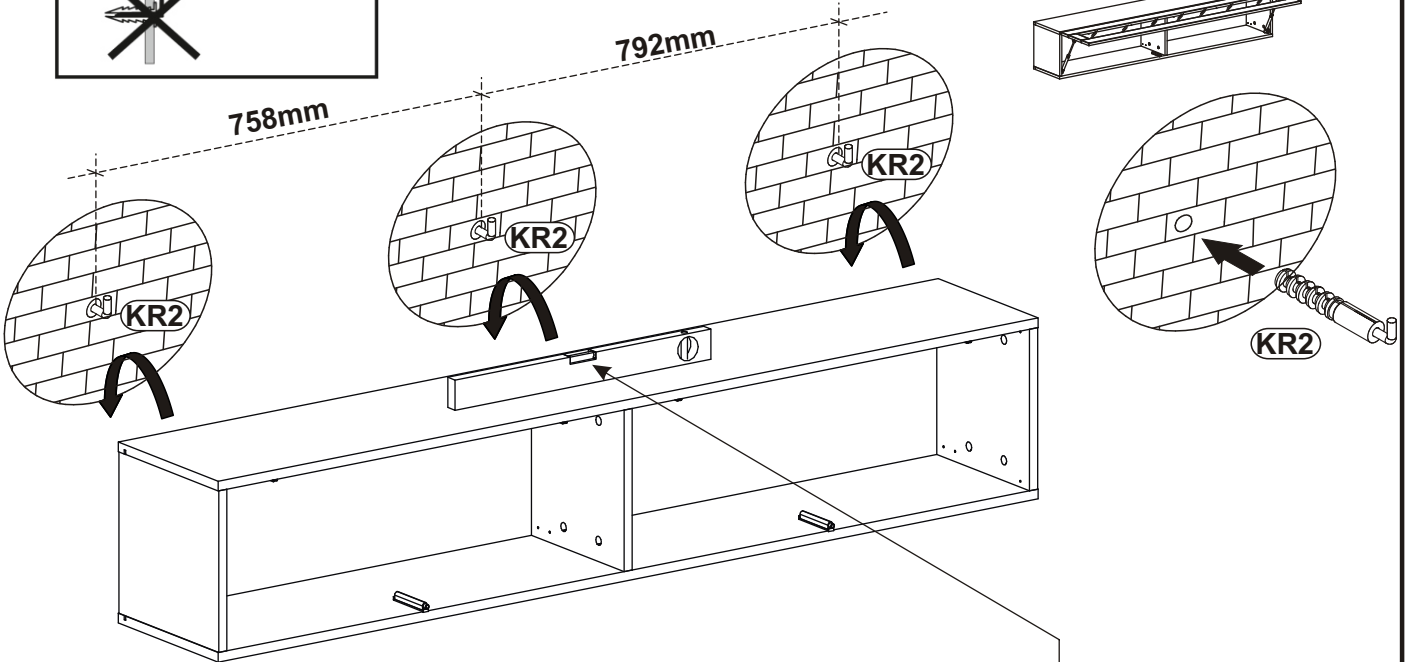
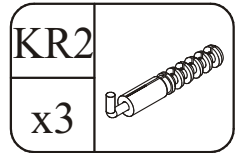
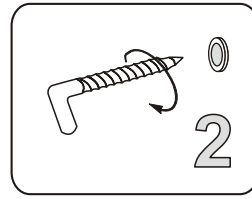
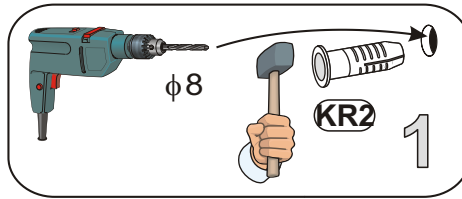
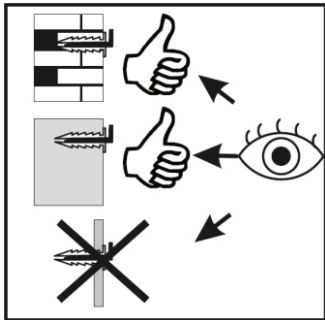


FLY TYP-51

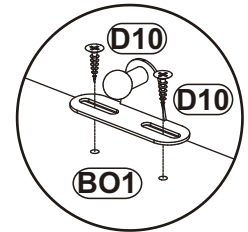
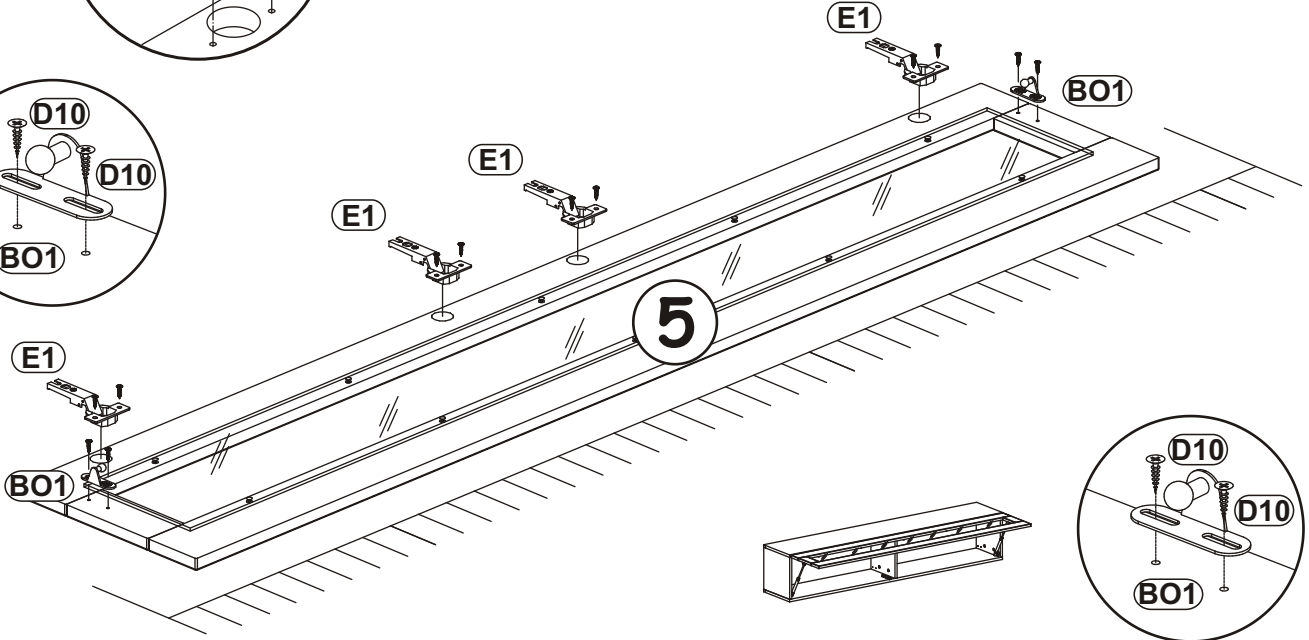
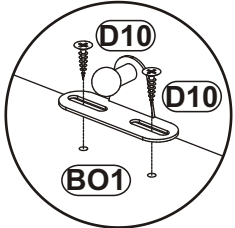
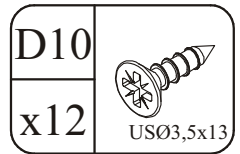
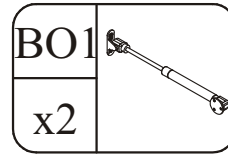
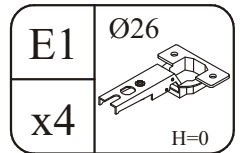
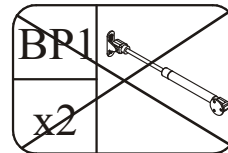
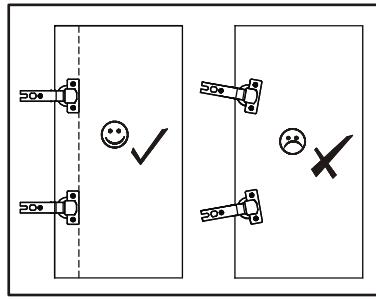
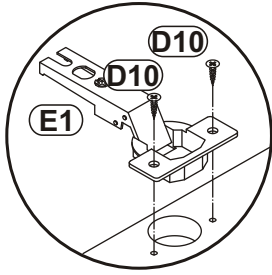
15



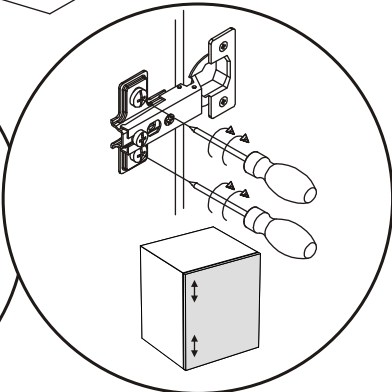
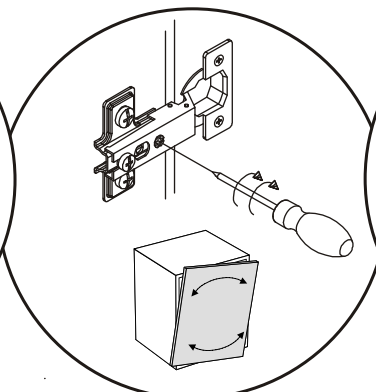
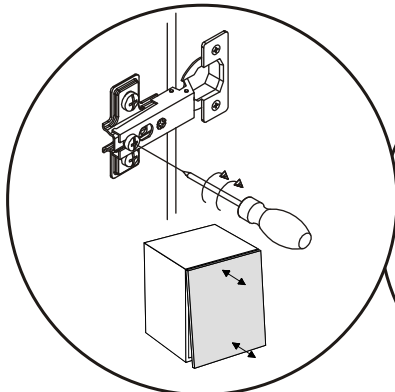
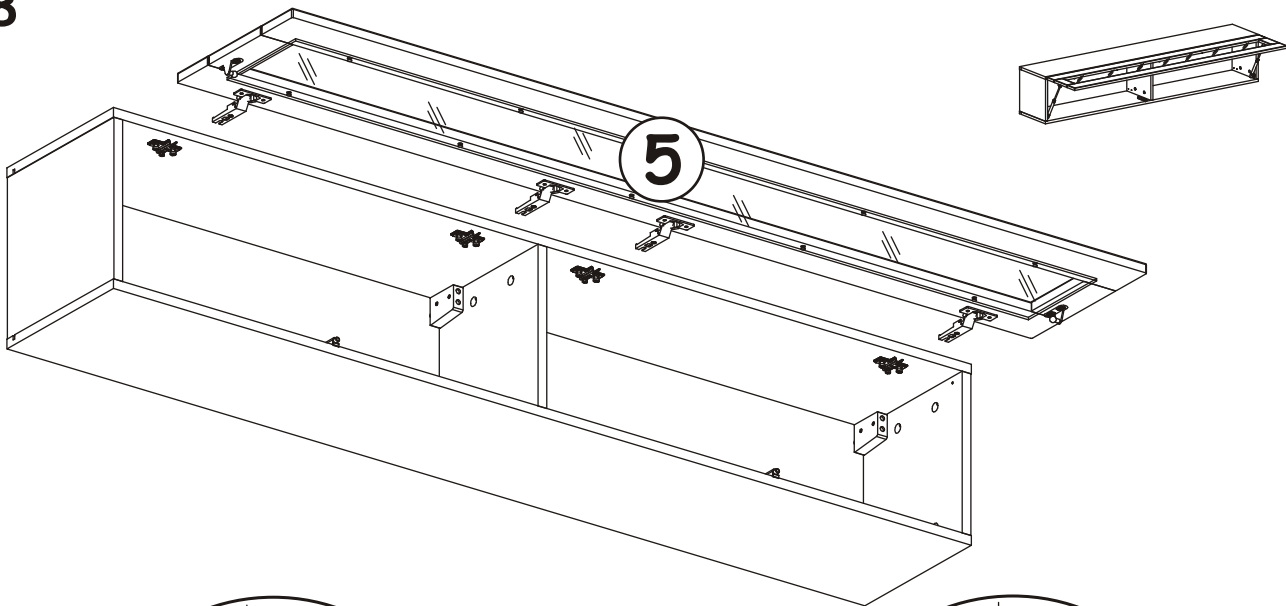
16



17



18



FLY TYP-51

