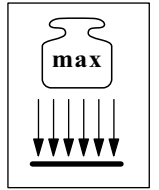
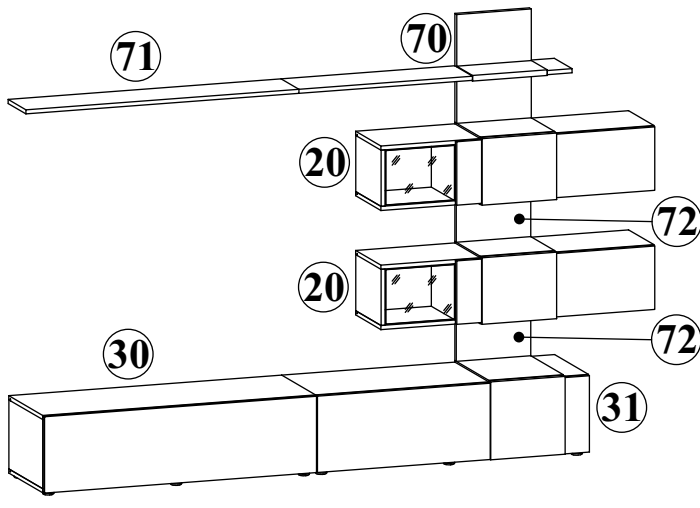
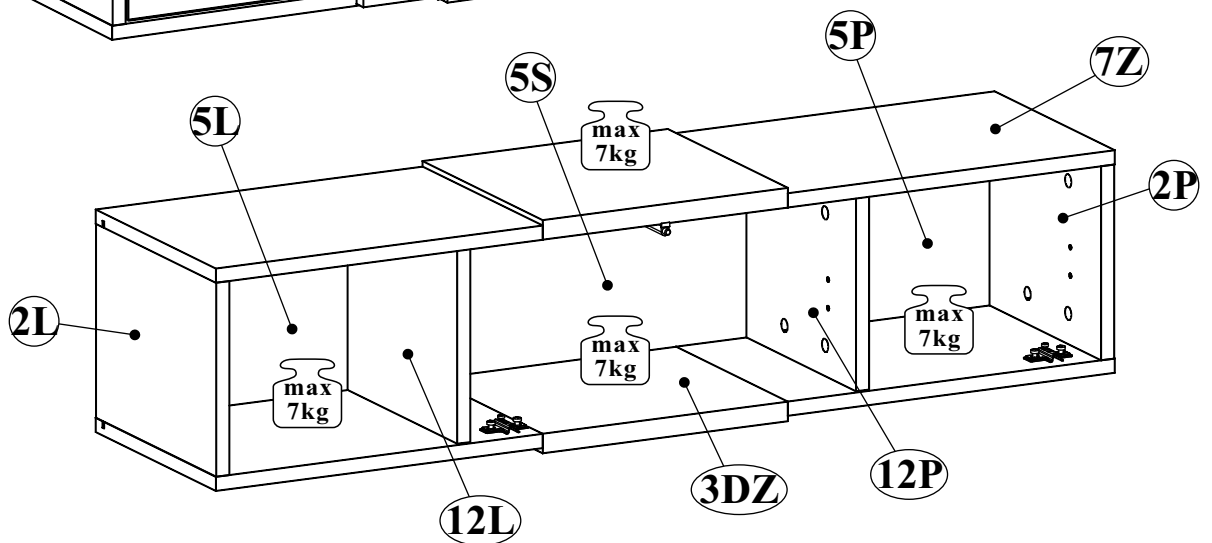
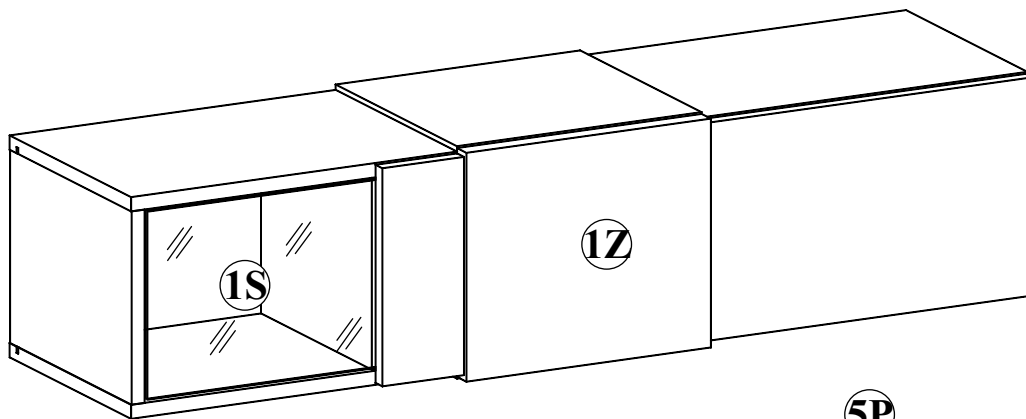


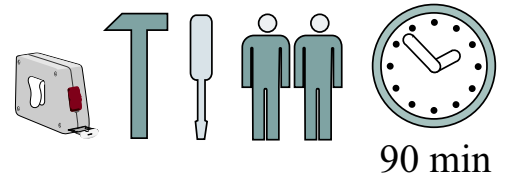
QUILL TYP 20




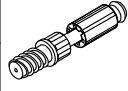

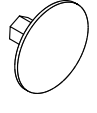
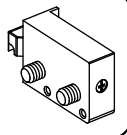
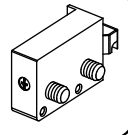
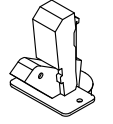
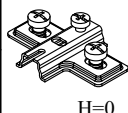




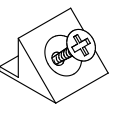
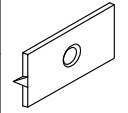

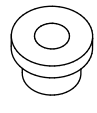
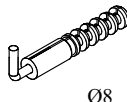

20

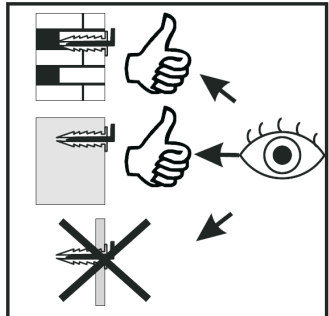
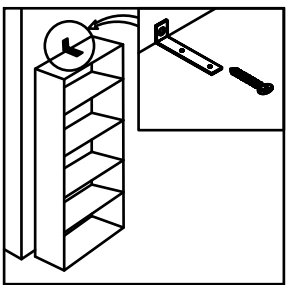
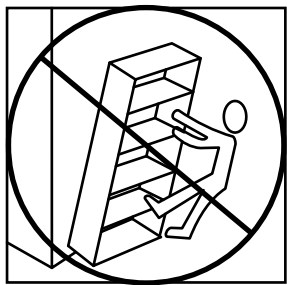
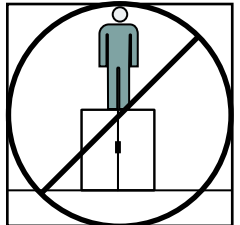
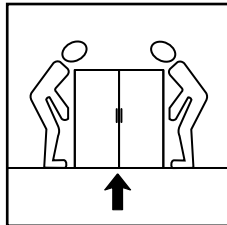
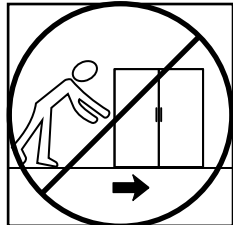
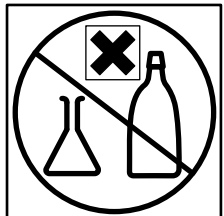
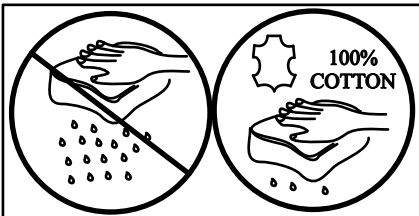
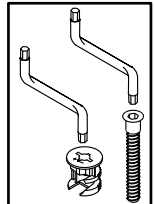
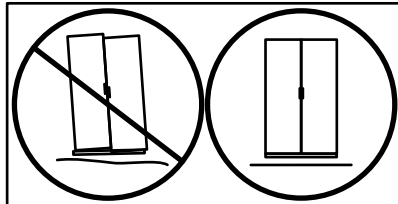
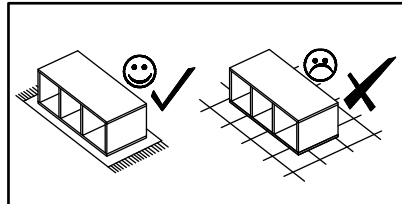
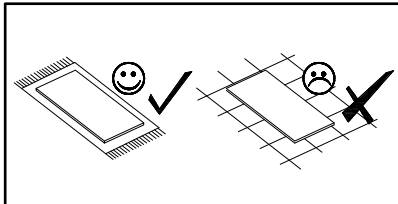
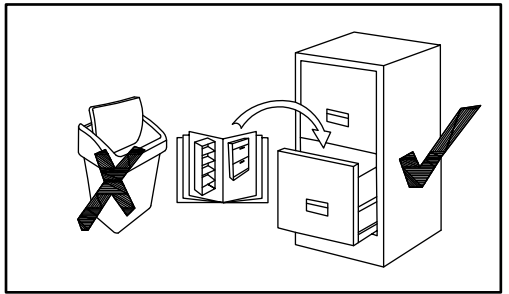
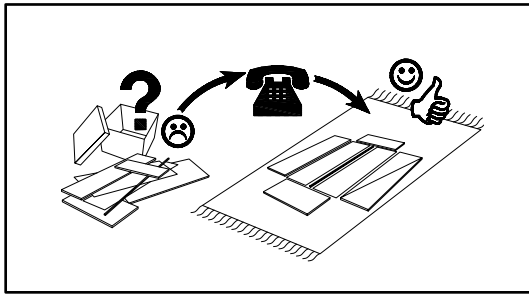
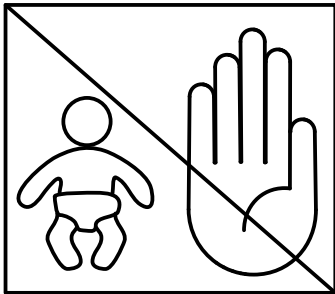
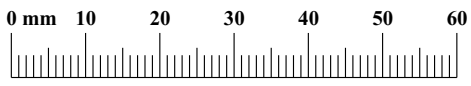


NO	Dim.		Col.-No	Qty
1Z	246	798	16	1
1S	315	212	4	1
2L	218	284	16	1
2P	218	284	16	1
12L	218	259	16	1
12P	218	259	16	1
3DZ	1100	284	16	1
5L	230	295	3	1
5S	230	488	3	1
5P	230	295	3	1
7Z	1100	284	16	1



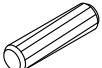
QUILL TYP 20


A1 x16 	B4 x16 	B5 x16 	G5 x16 	ZXL x2 	ZXP x2 
E10 x2 	E11 x2 H=0 	D10 X10 USØ3,5x13 	G21 x2 	D7 x6 USØ3x16 	OD2 x1 
S1 x10 	G16 x4 	UP13 x7 UPØ3x16 	P2 x3 	KR2 x4 ø8 	G2 x1 

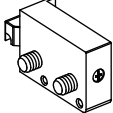


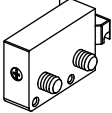
QUILL TYP 20

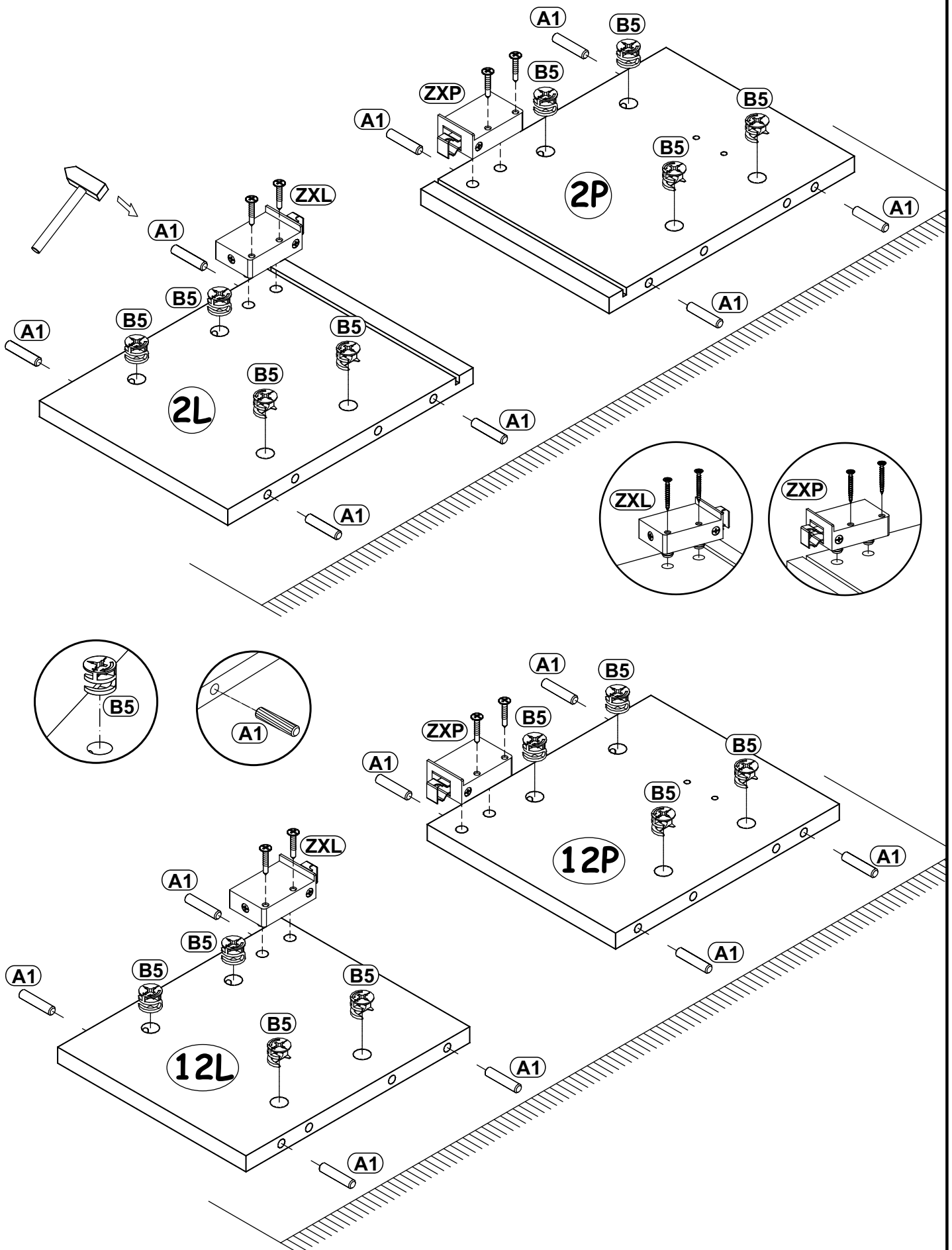
1

A1	
x16	ø8x36

B5	
x16	Ø15x12

ZXL	
x2	

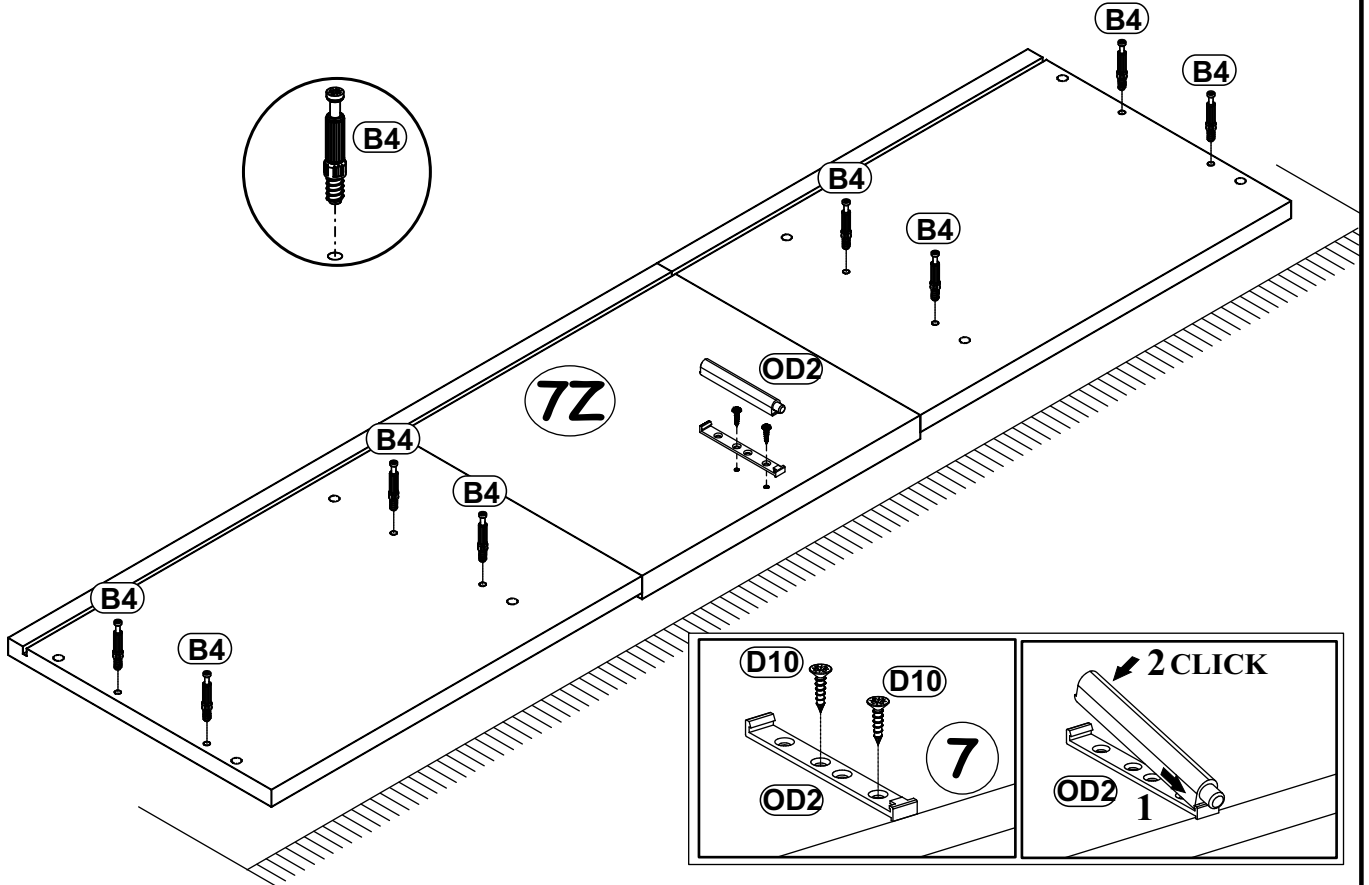
ZXP	
x2	



QUILL TYP 20

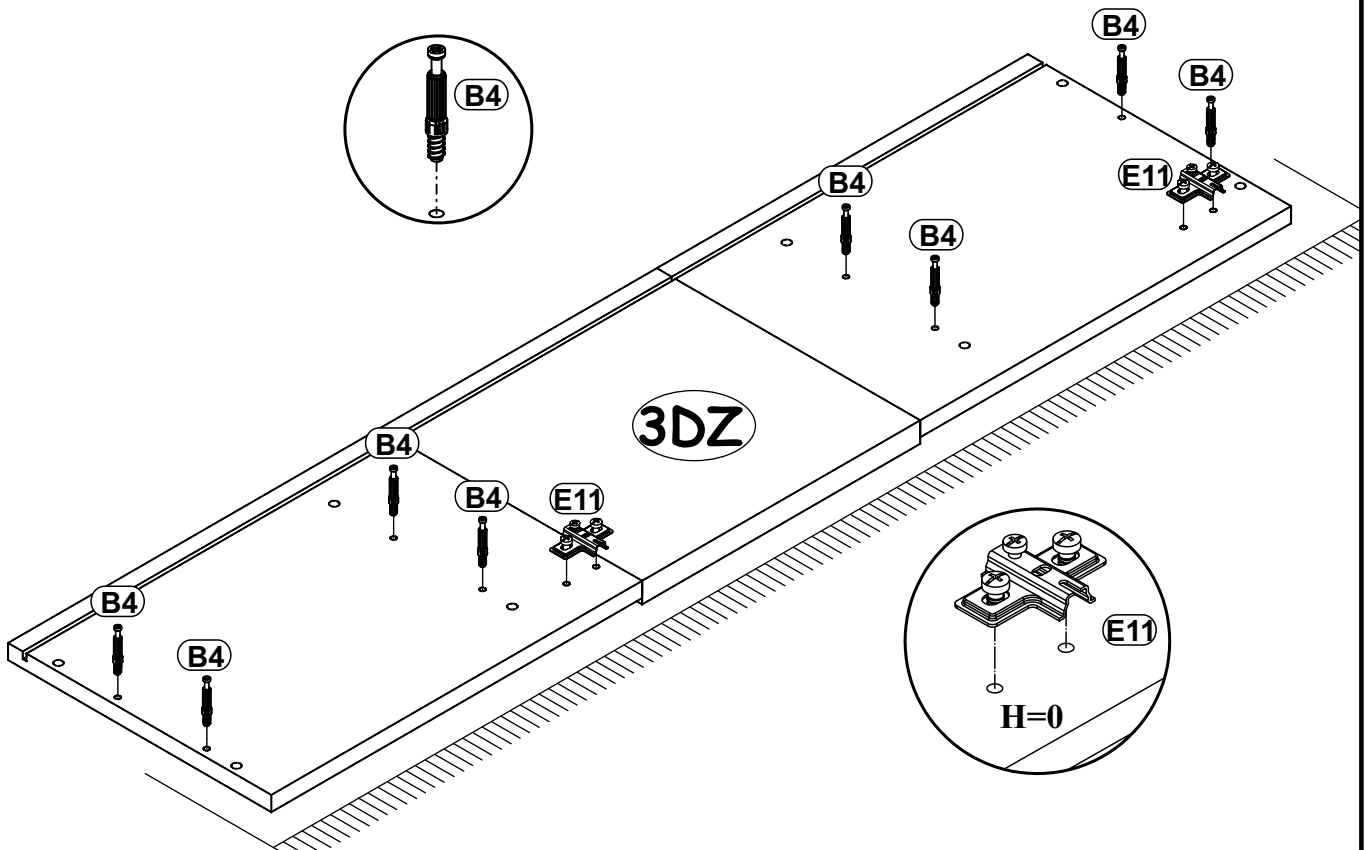
2

OD2		D10		B4	
x1		x2	USØ3,5x13	x8	



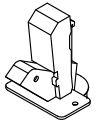



3

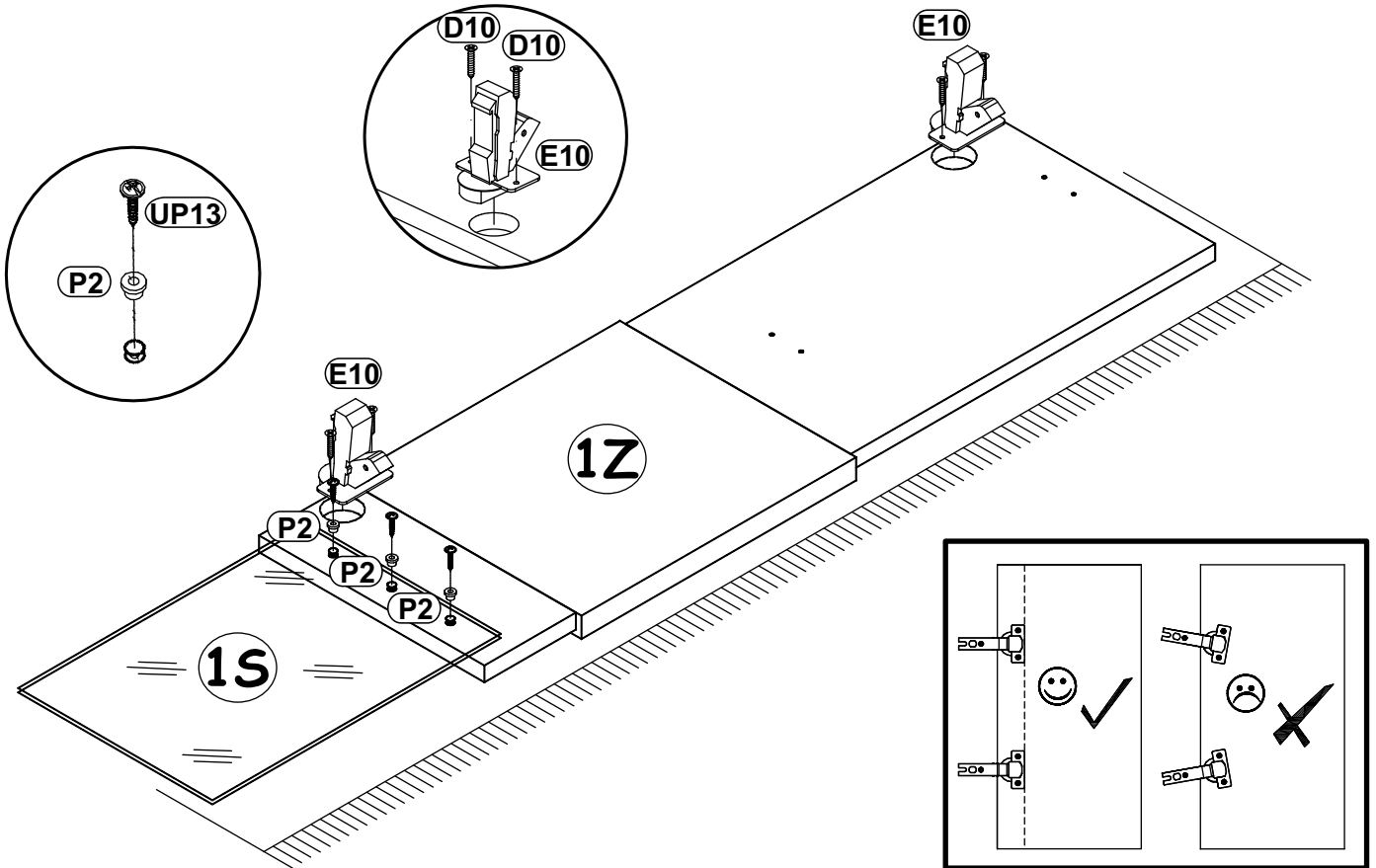
B4		E11	
x8		x2	H=0




QUILL TYP 20

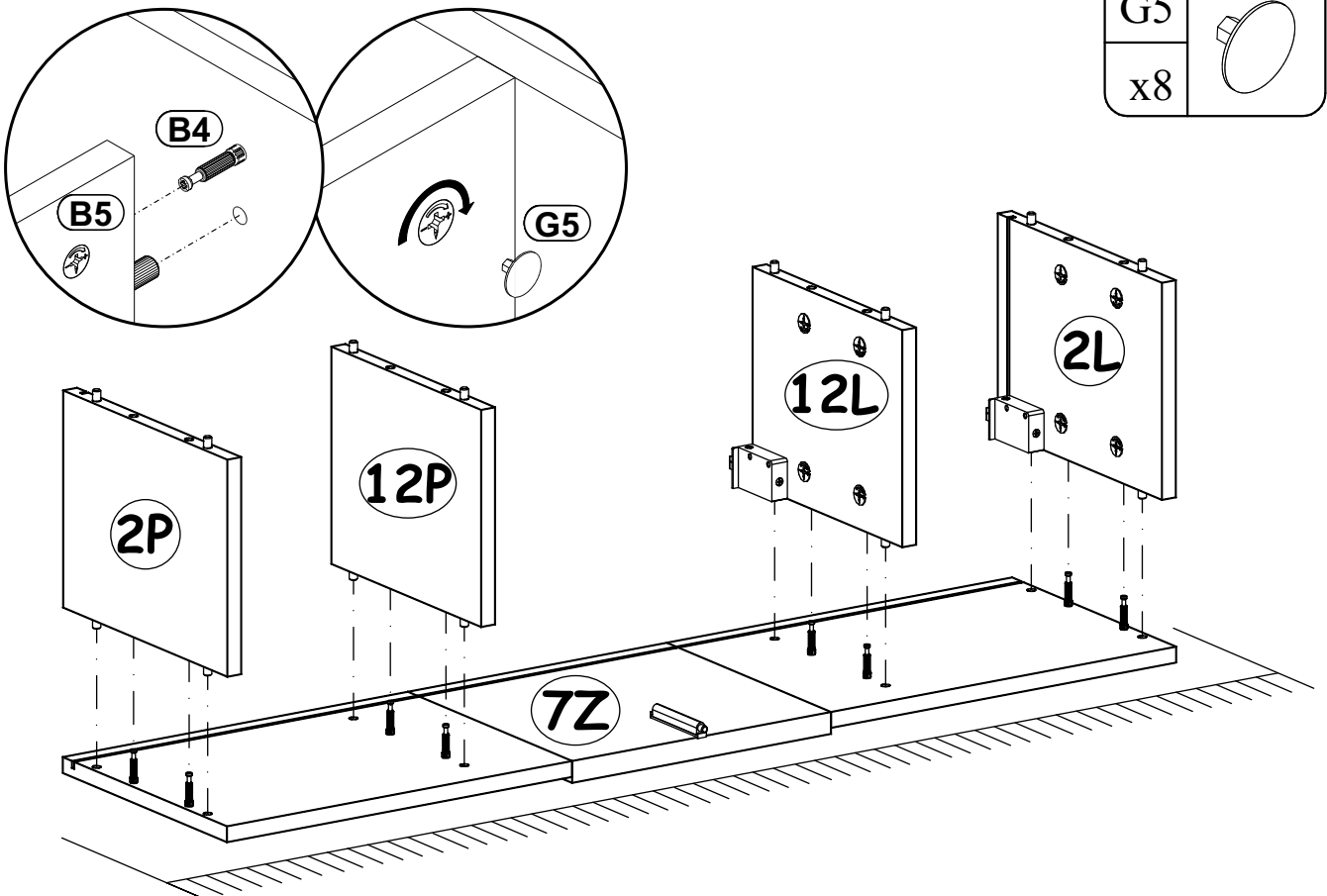
4

E10		D10		P2		UP13	
x2		x4	USØ3,5x13	x3		x3	UPØ3x16

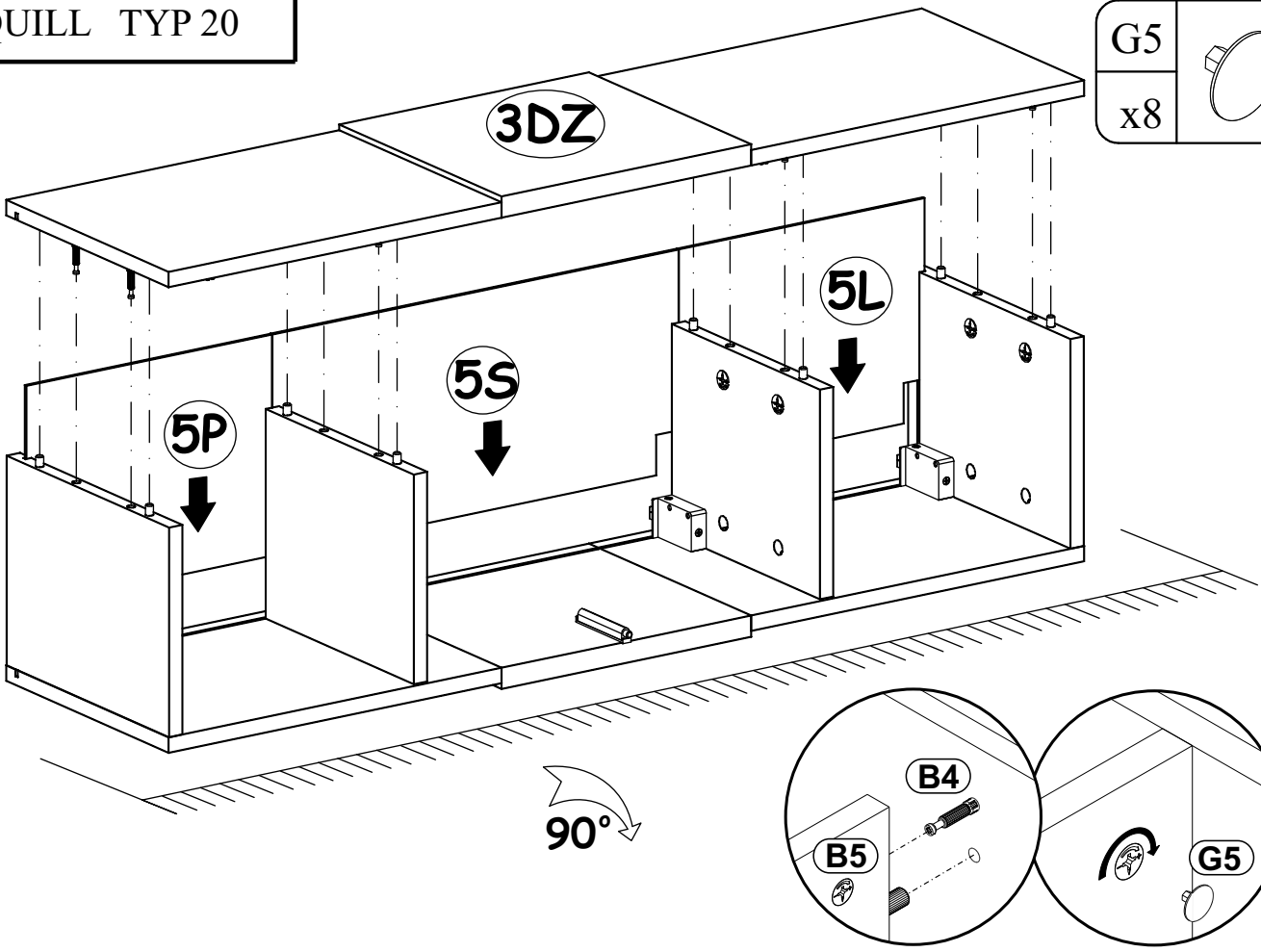


5

G5	
x8	

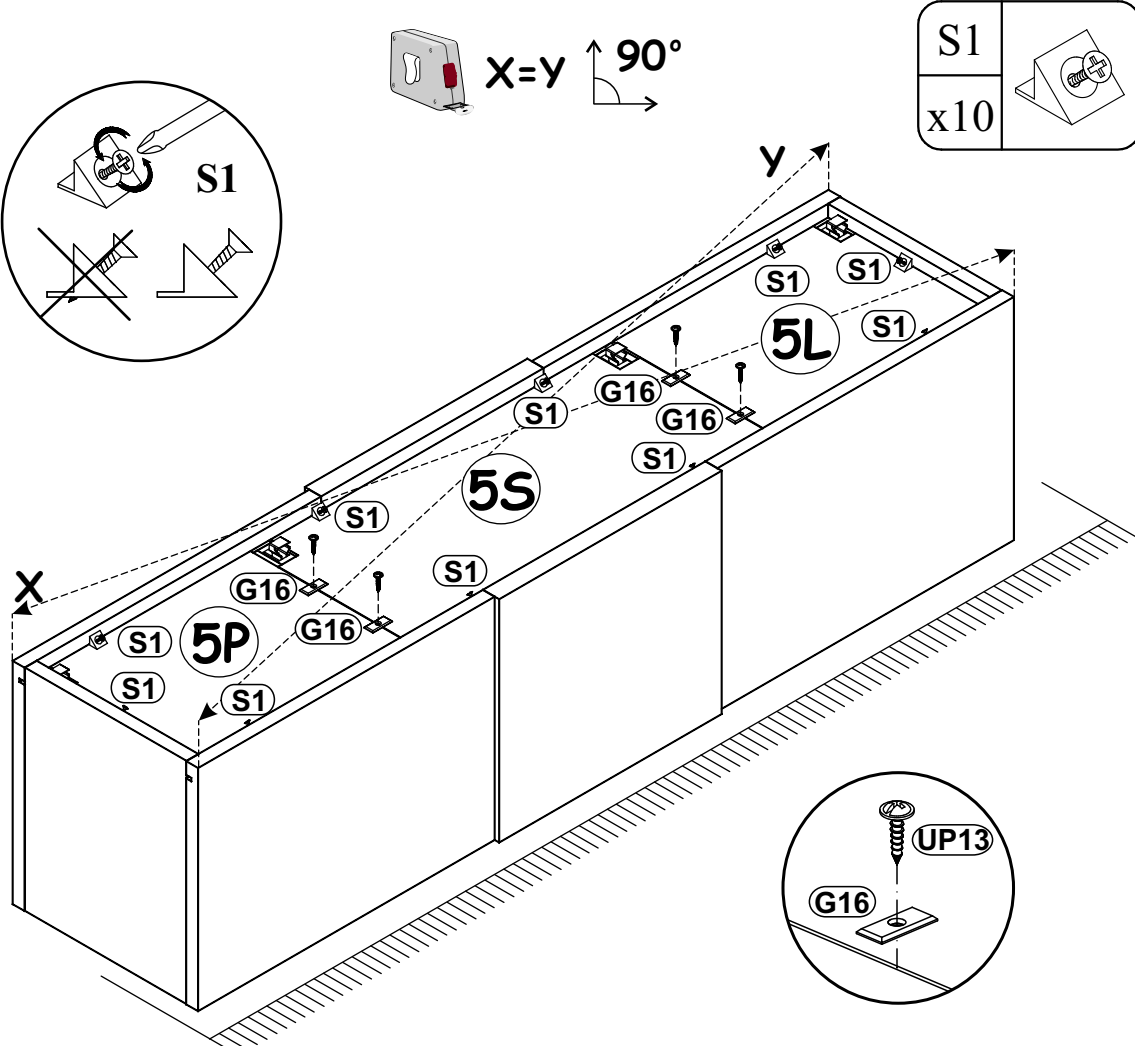


6



- | | |
|----|--|
| G5 | |
| x8 | |

7



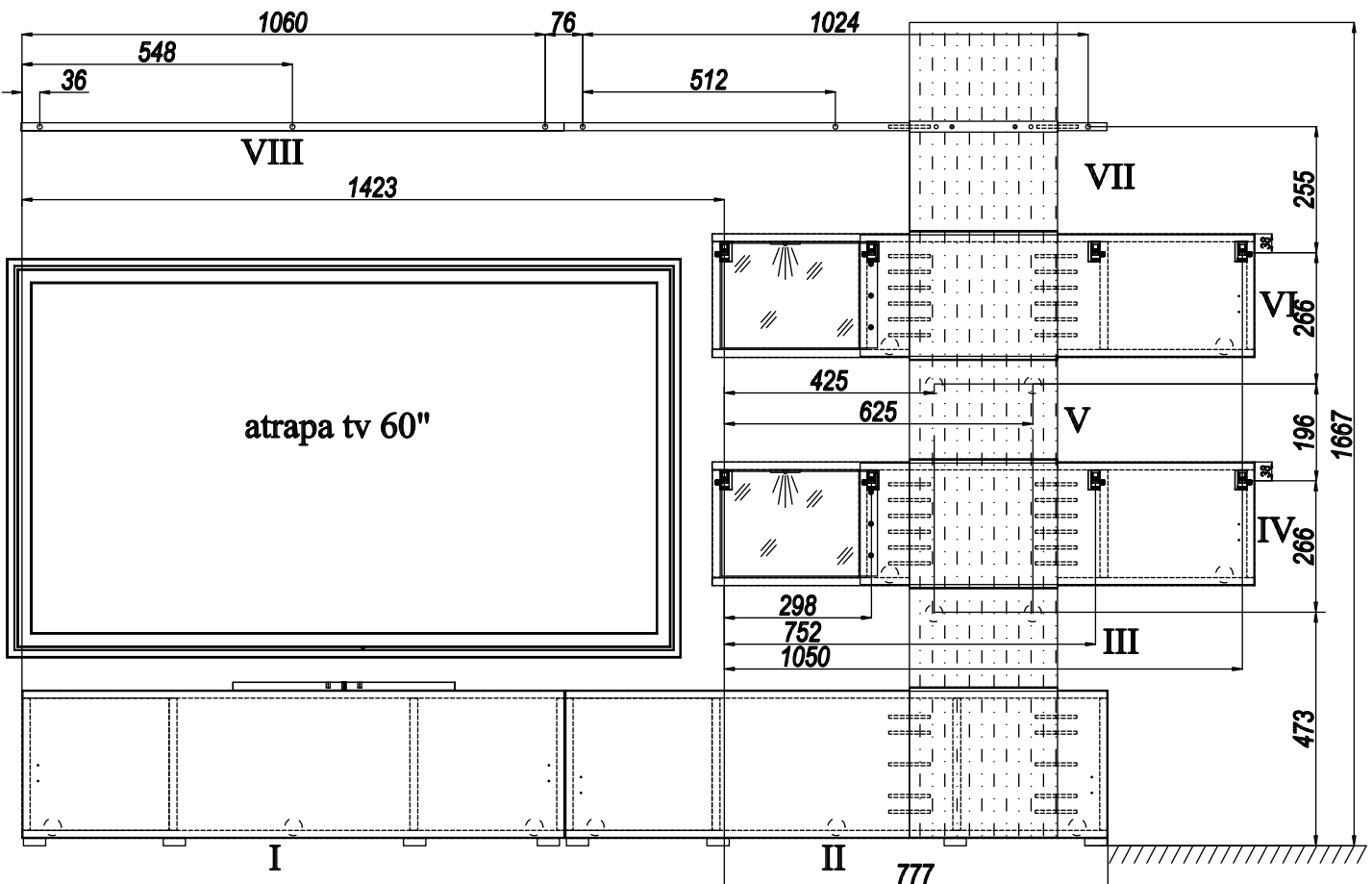
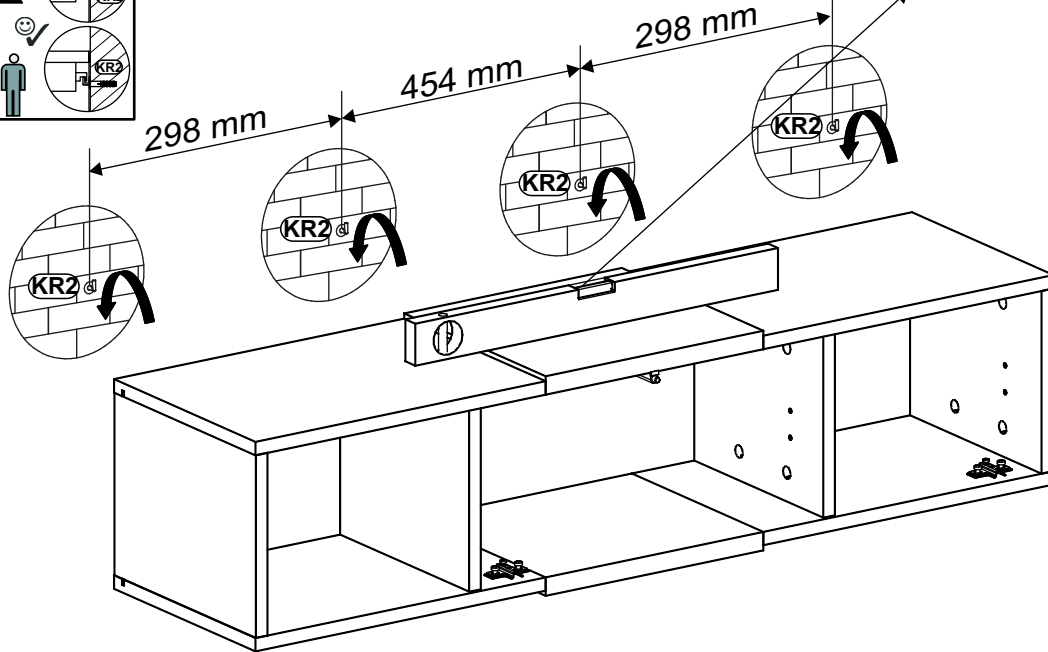
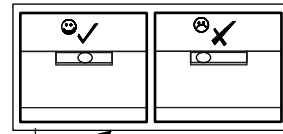
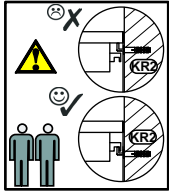
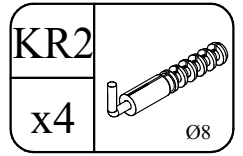
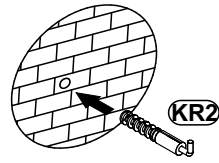
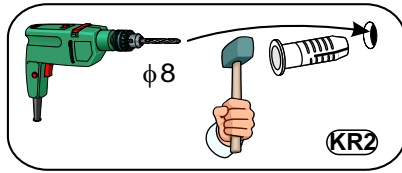
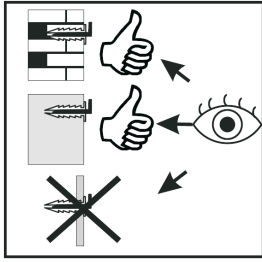
- | | |
|-----|--|
| S1 | |
| x10 | |

- | | |
|-----|--|
| G16 | |
| x4 | |

- | | |
|------|---------|
| UP13 | |
| x4 | UPØ3x16 |

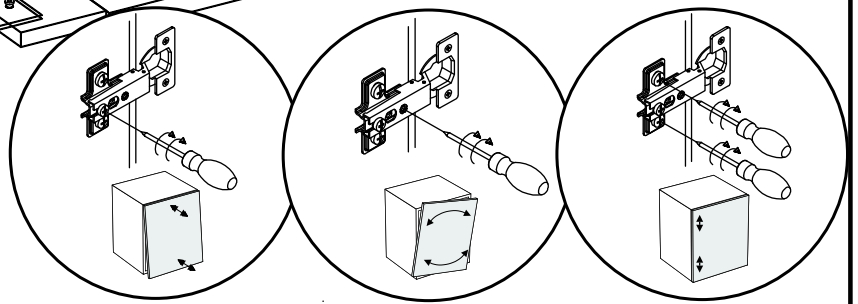
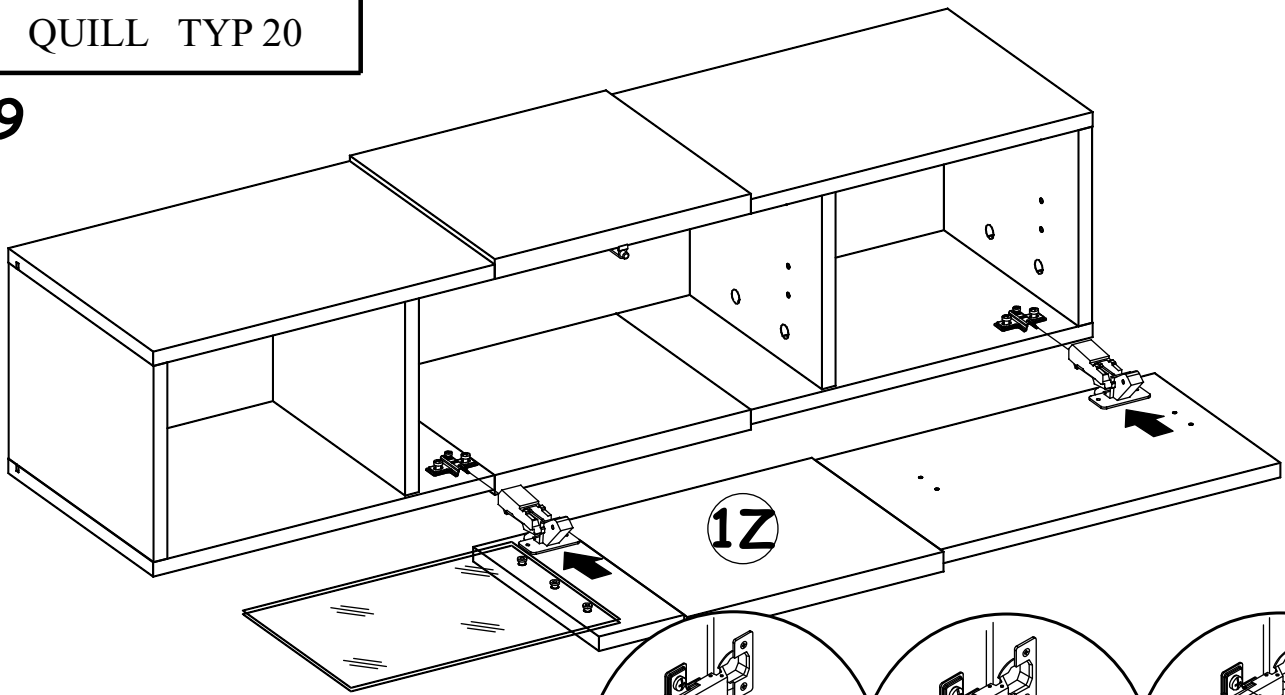
QUILL TYP 20

8



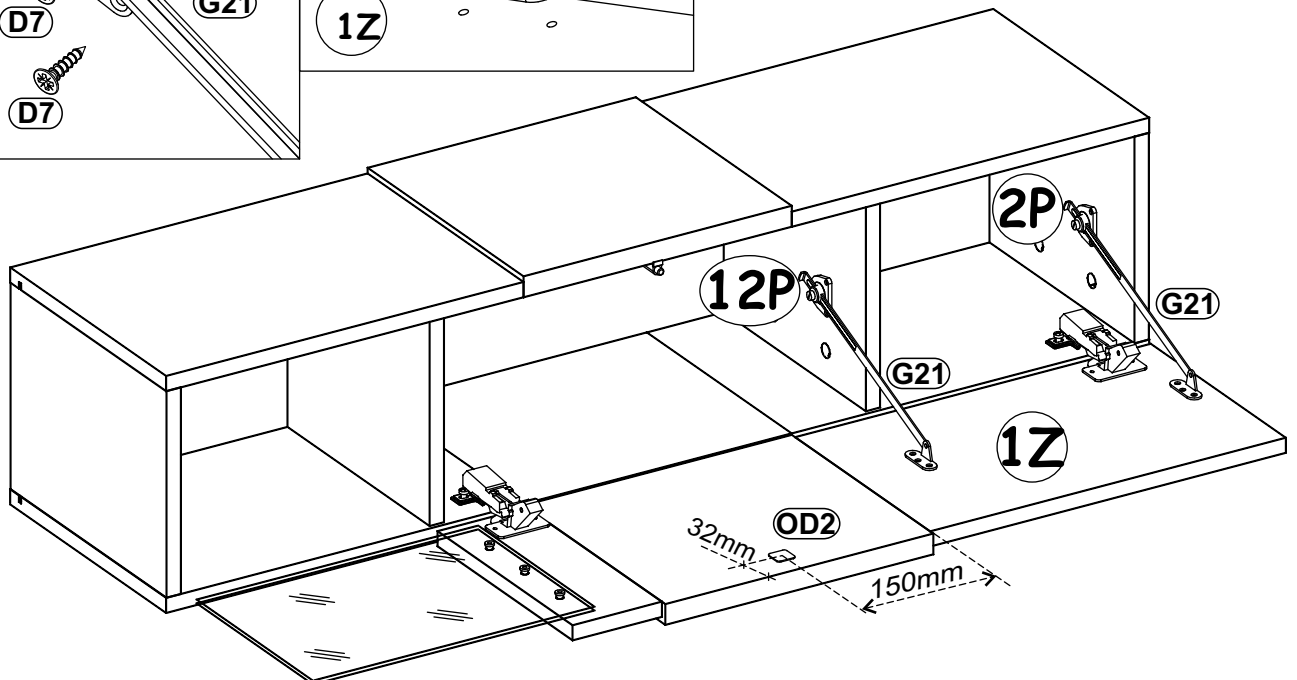
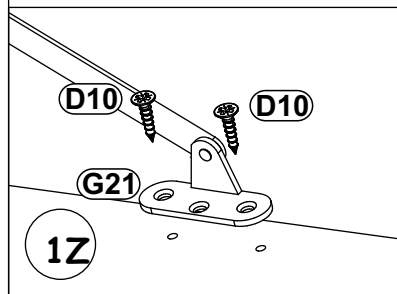
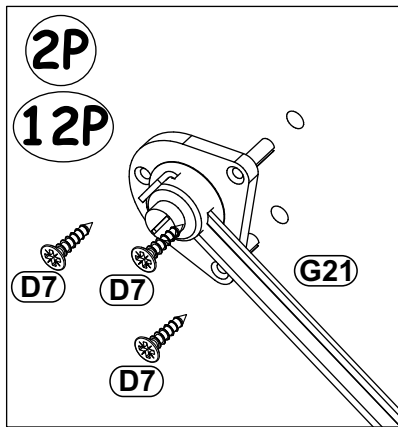
QUILL TYP 20

9

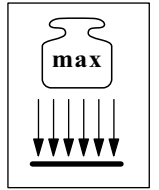
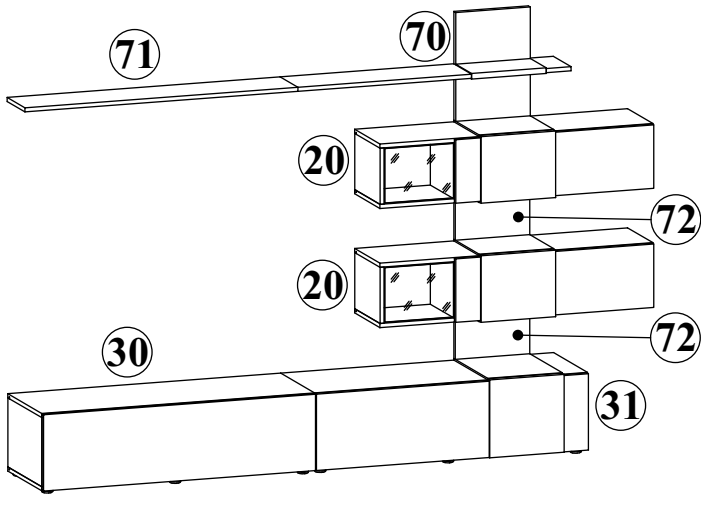


10

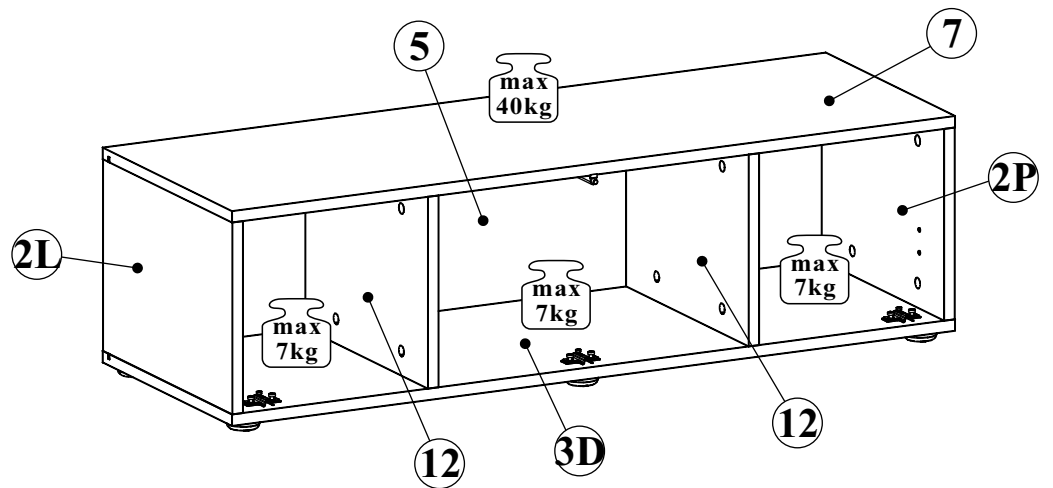
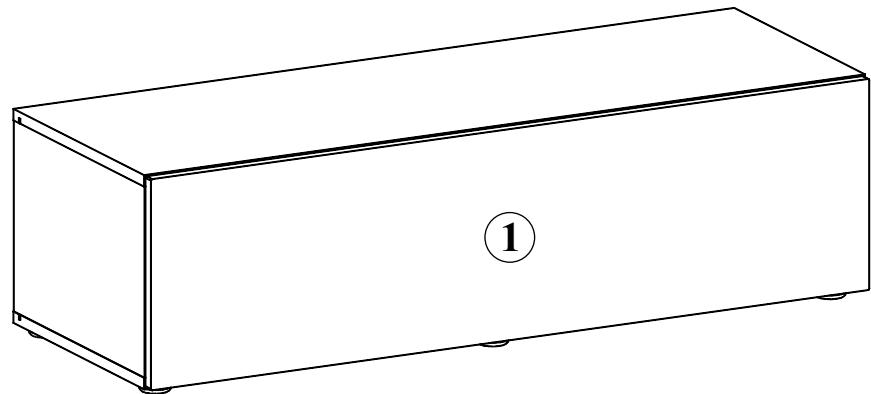
G21		D7		D10	
x2		x6	USØ3x16	X4	USØ3,5x13



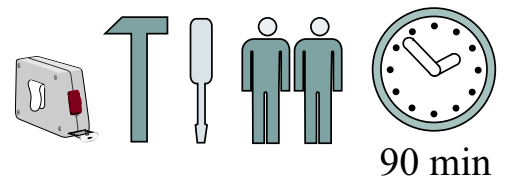
QUILL TYP 30



30



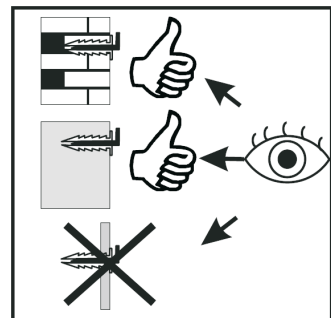
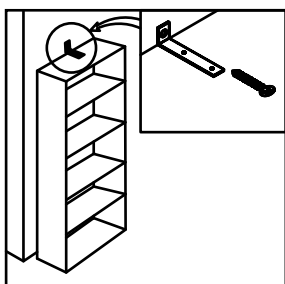
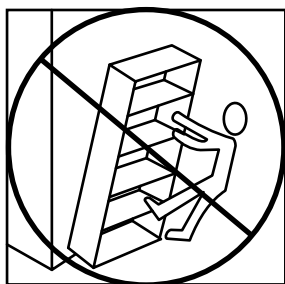
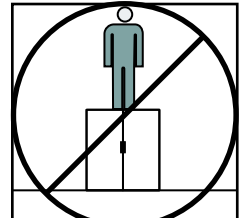
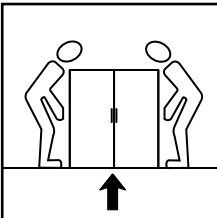
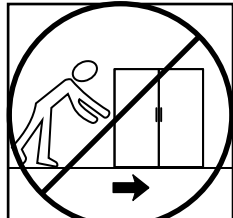
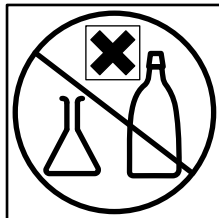
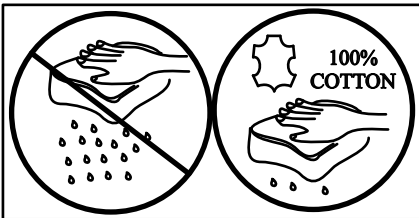
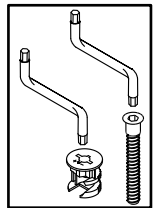
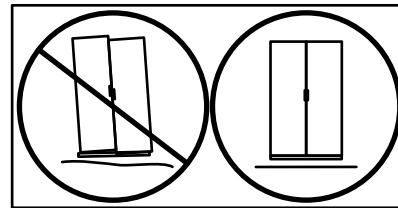
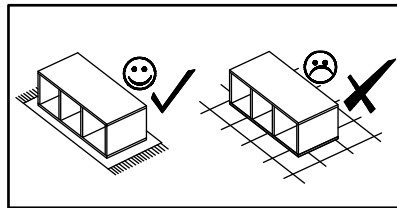
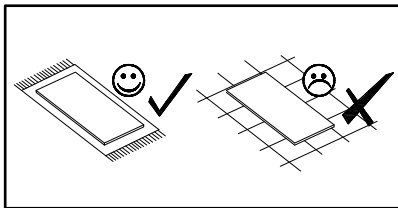
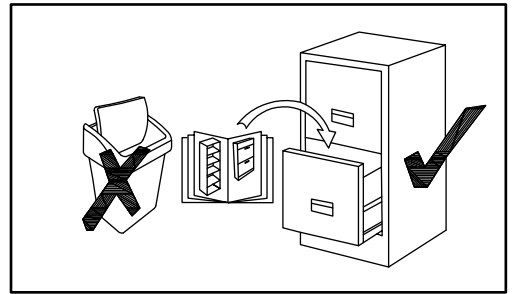
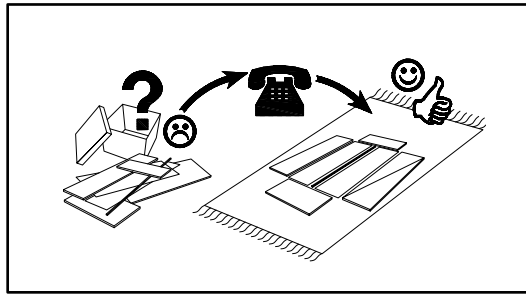
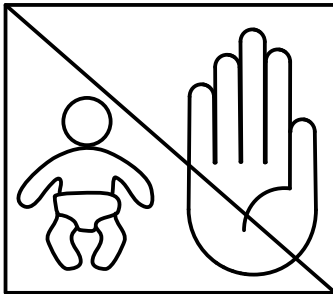
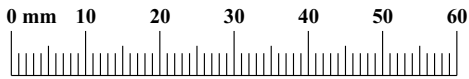
NO	Dim.		Col.-No	Qty
1	296	1096	16	1
2L	268	380	16	1
2P	268	380	16	1
12	268	360	16	2
3D	1100	380	16	1
5	280	1079	3	1
7	1100	380	16	1



90 min

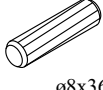
QUILL TYP 30

A1 x16 ø8x36	B4 x16 	B5 x16 Ø15x12	G5 x16 	I11 x6 Ø45, h=15	UP11 x6 UPØ4x20
E21 x3 Ø35 H=0	E2 x3 Ø35 H=0	D10 x14 USØ3,5x13	G21 x2 	D7 x6 USØ3x16	OD2 x1
S1 x10 	UP13 x2 UPØ3x16	KR1 x1 	L1 x1 	G2 x1 	




QUILL TYP 30

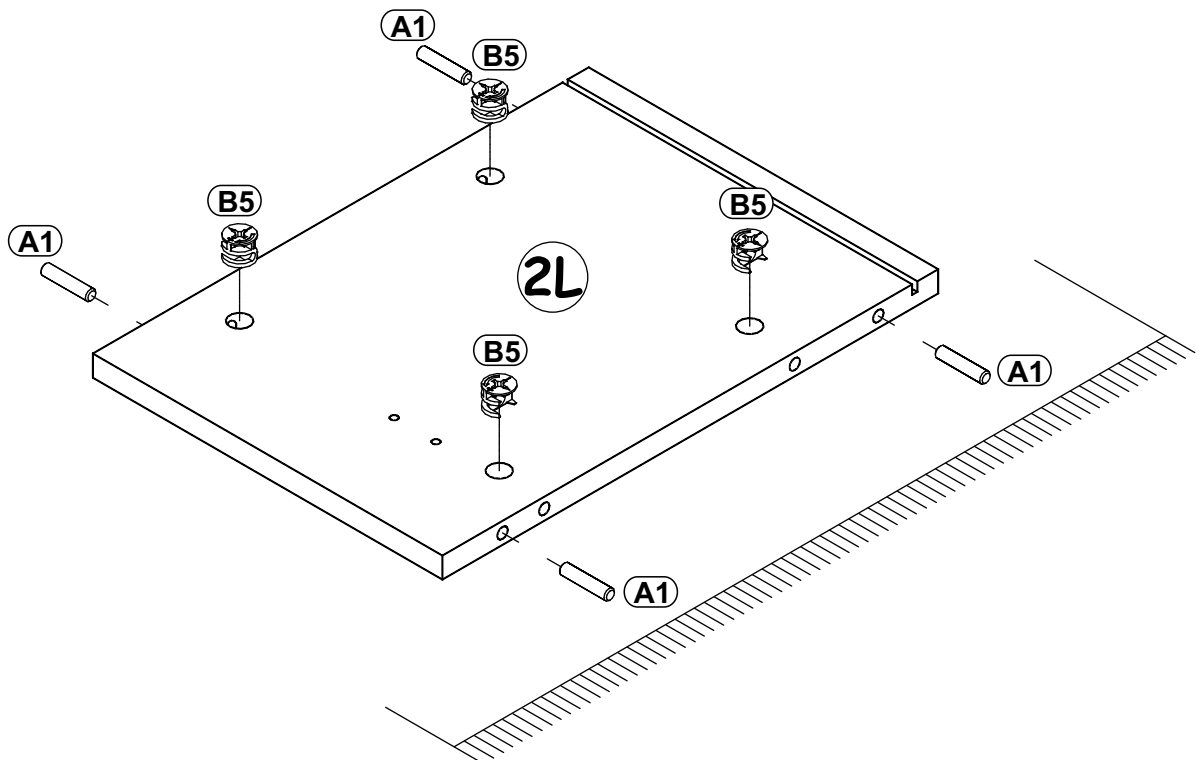
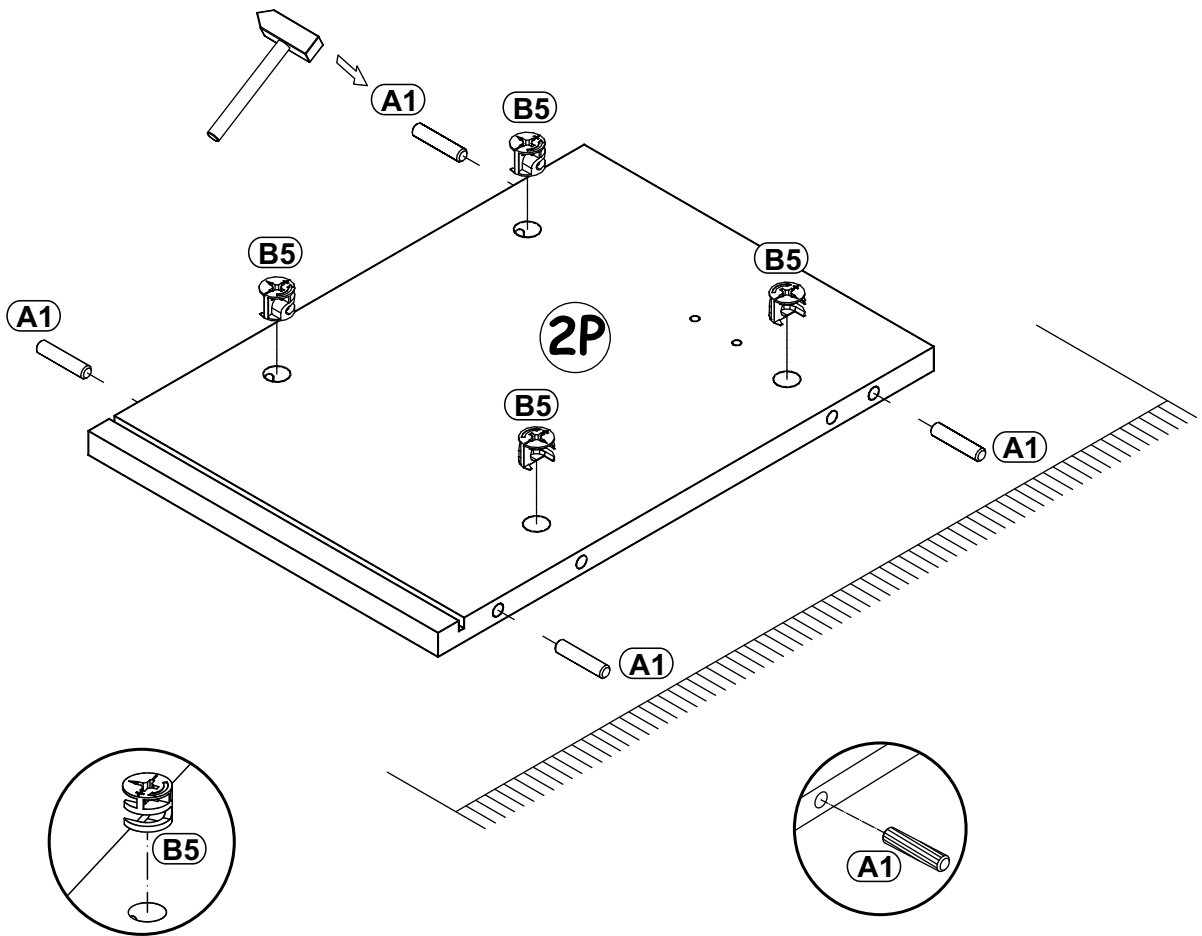
1

A1	
x8	

ø8x36

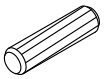
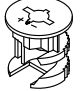
B5	
x8	

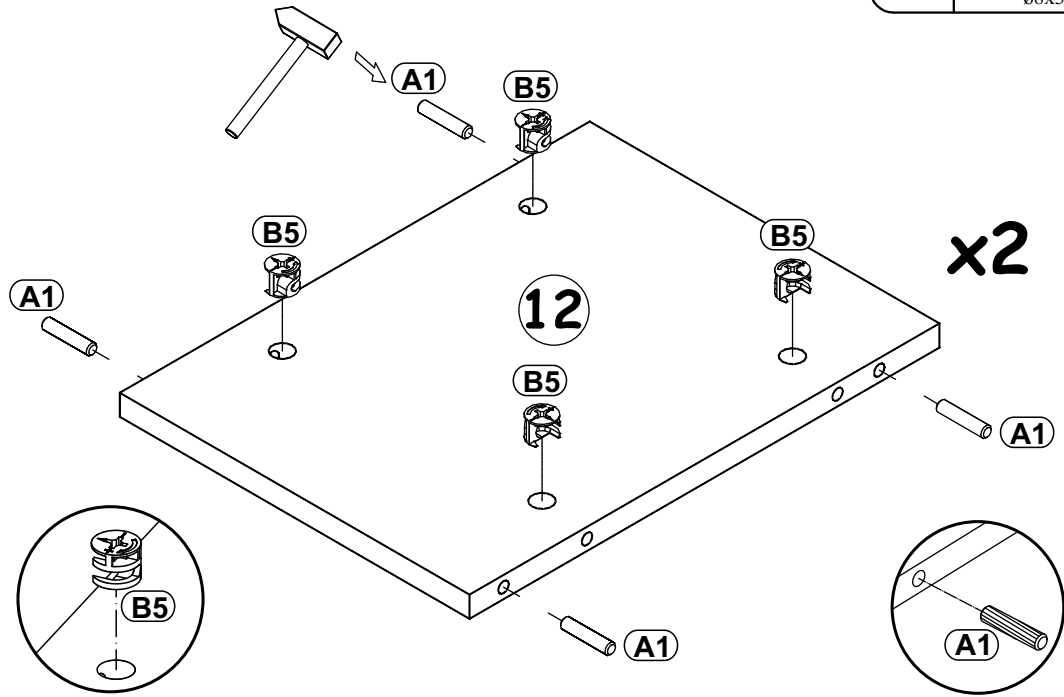
Ø15x12



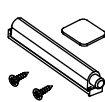
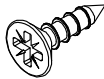
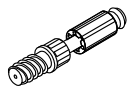
QUILL TYP 30

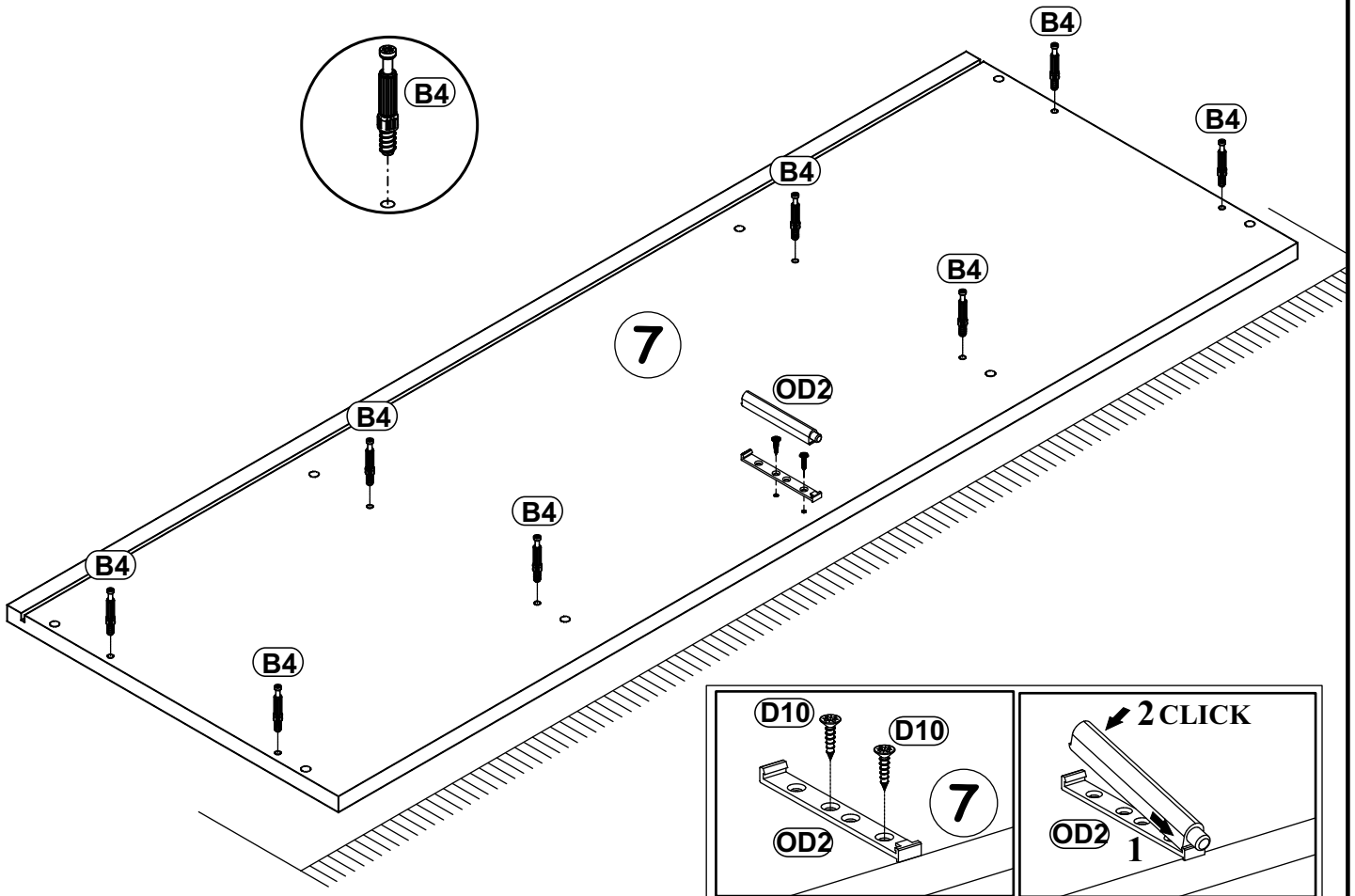
2

A1		B5	
x8	ø8x36	x8	Ø15x12



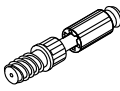
3

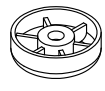
OD2		D10		B4	
x1		x2	USØ3,5x13	x8	

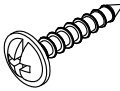


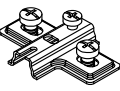
QUILL TYP 30

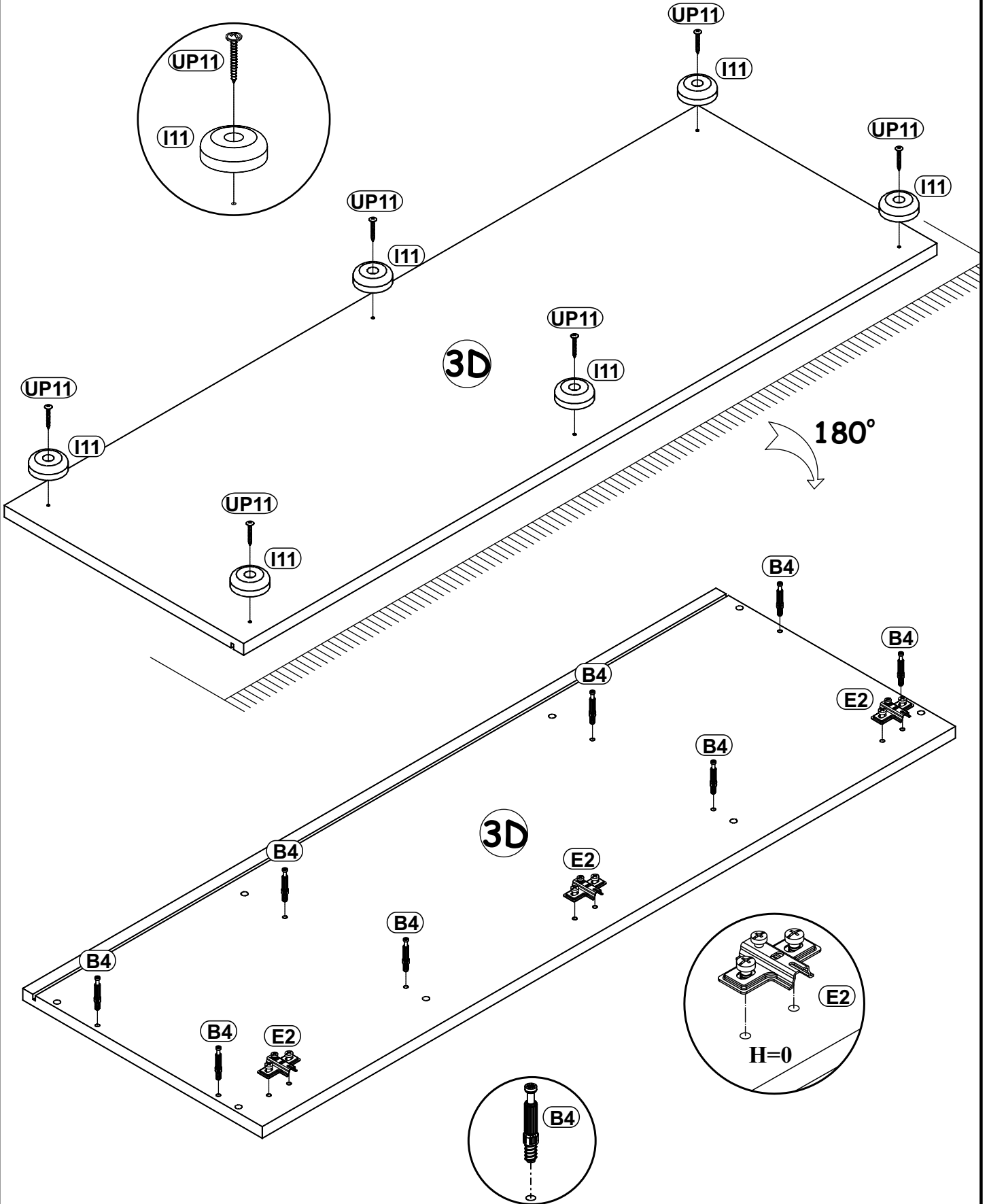
4

B4	
x8	

I11	
x6	Ø45, h=15


UP11	
x6	UPØ4x20

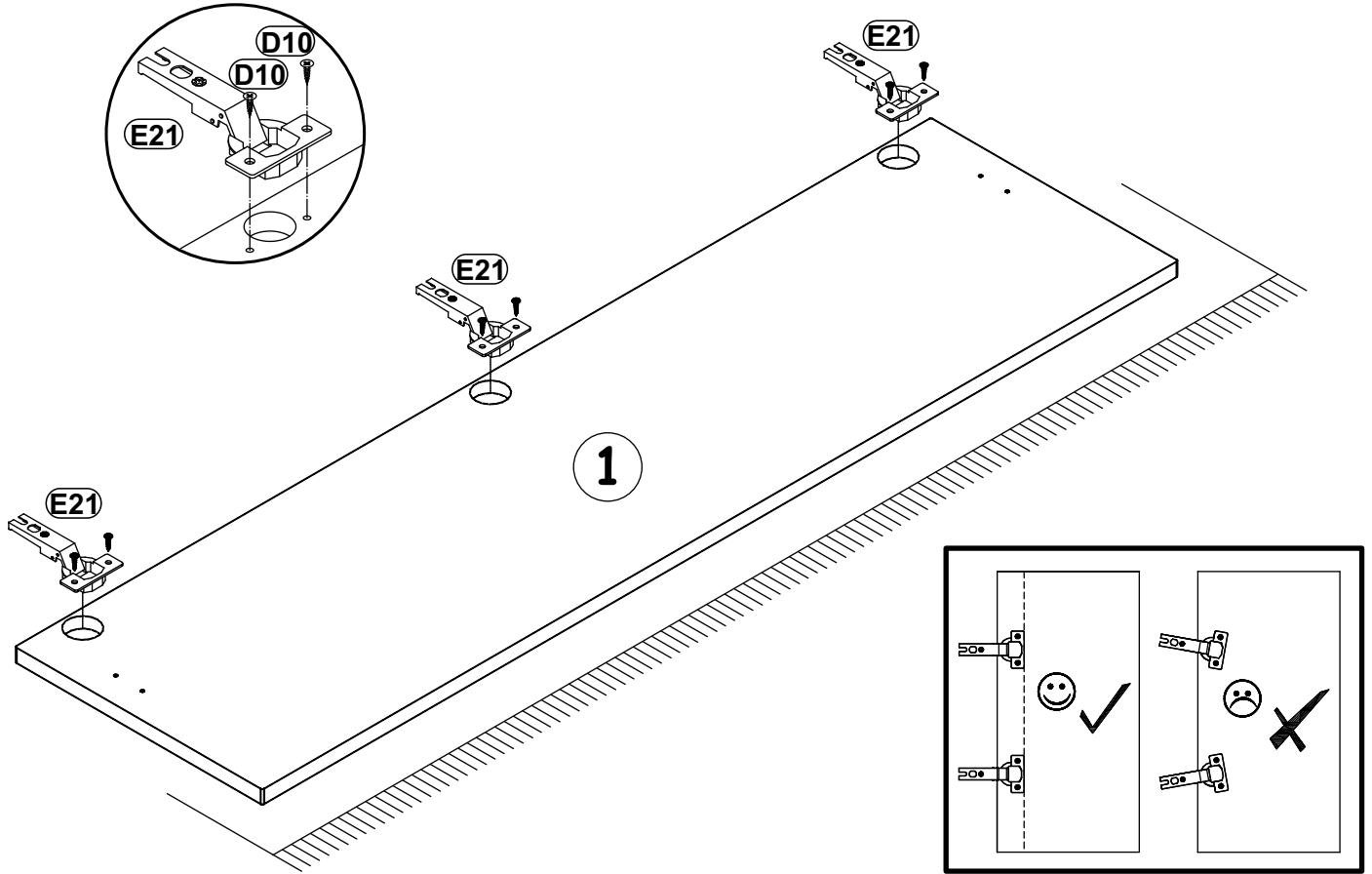
E2	
x3	H=0




QUILL TYP 30

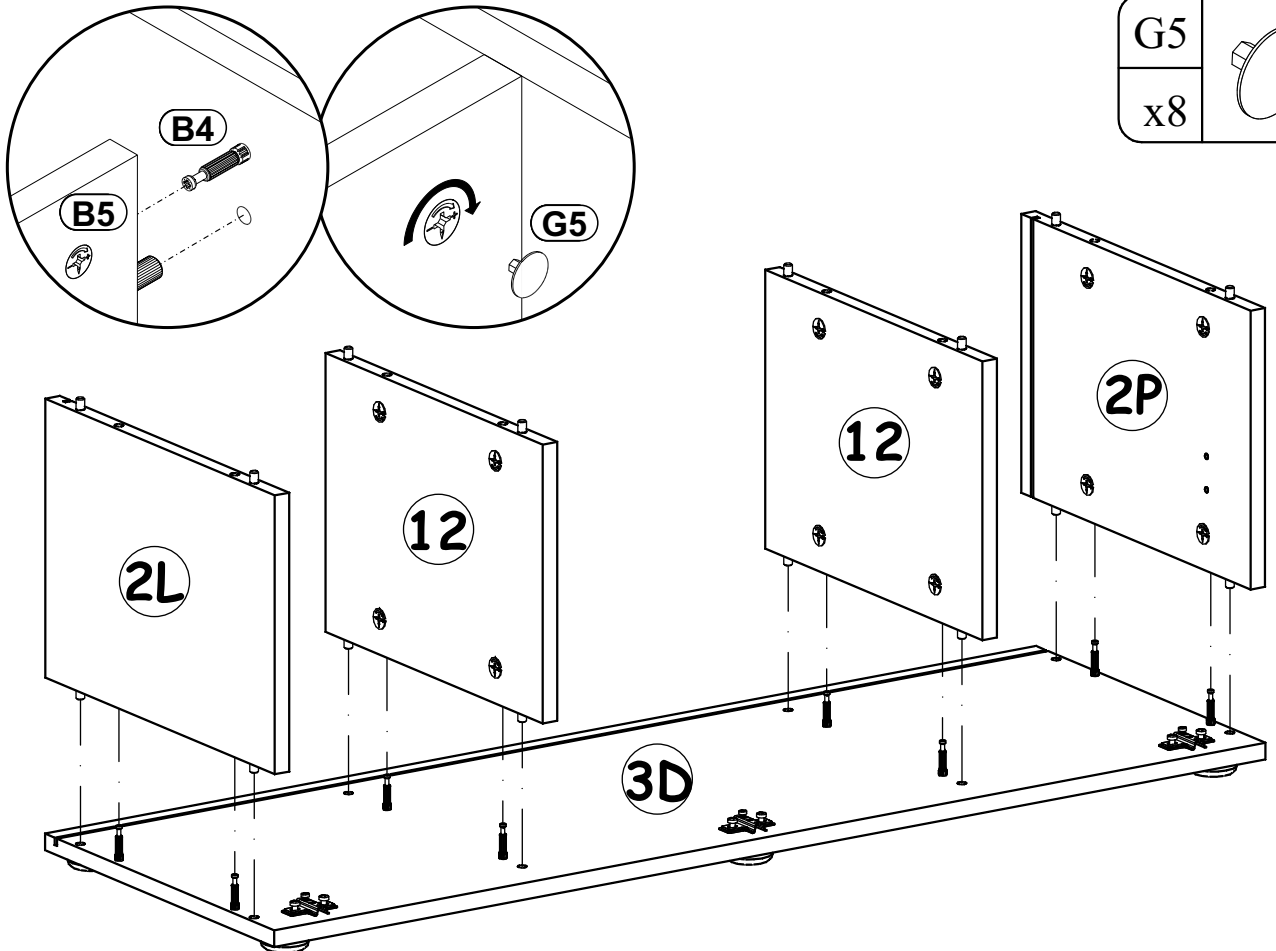
5

E21	Ø35	D10	 USØ3,5x13
x3	H=0	x6	




6

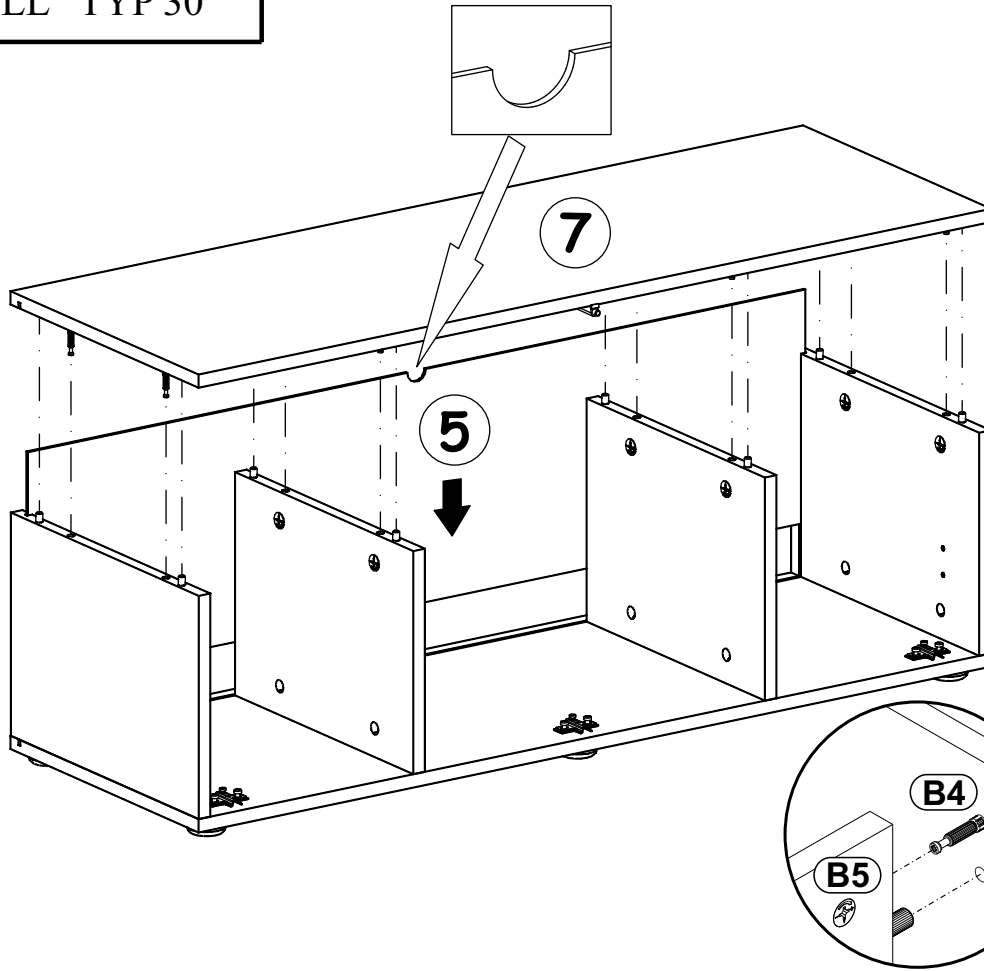
G5	
x8	



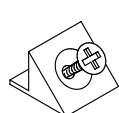
QUILL TYP 30

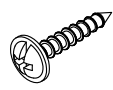
7

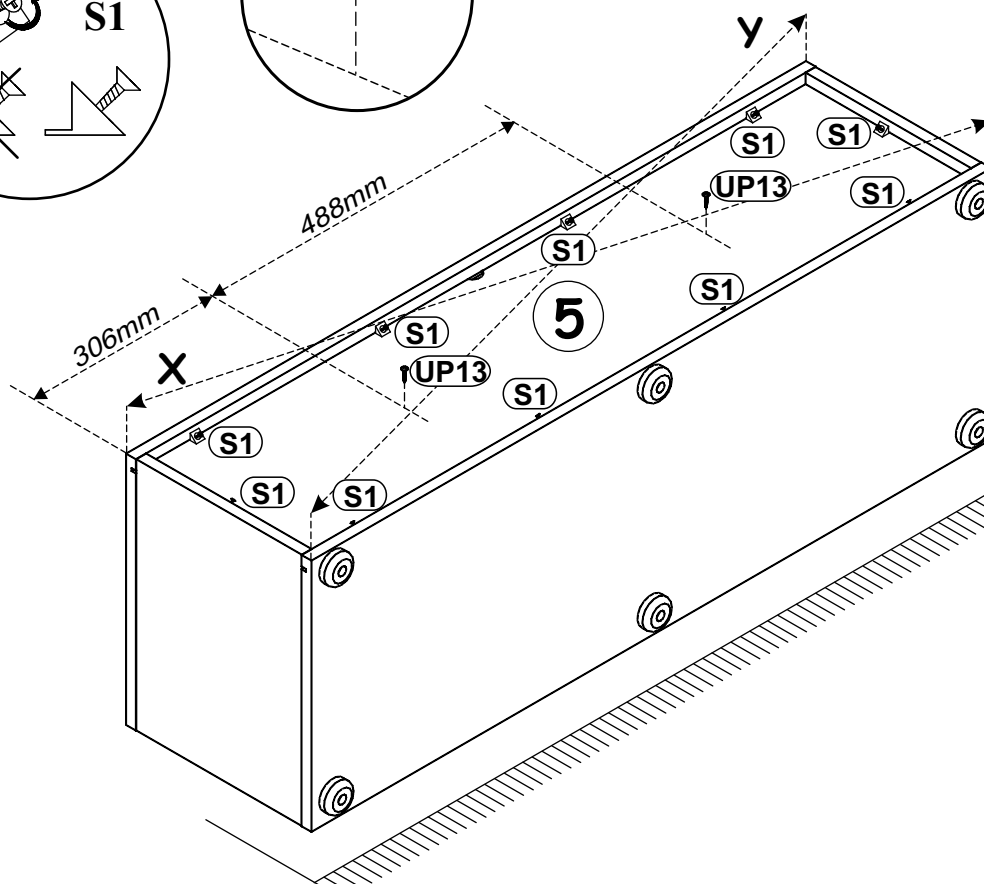
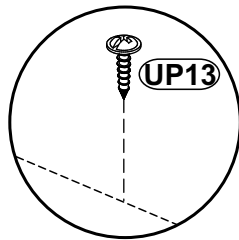
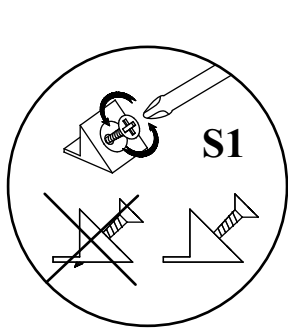
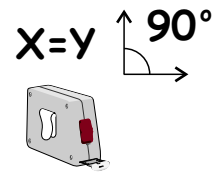
G5	
x8	



8

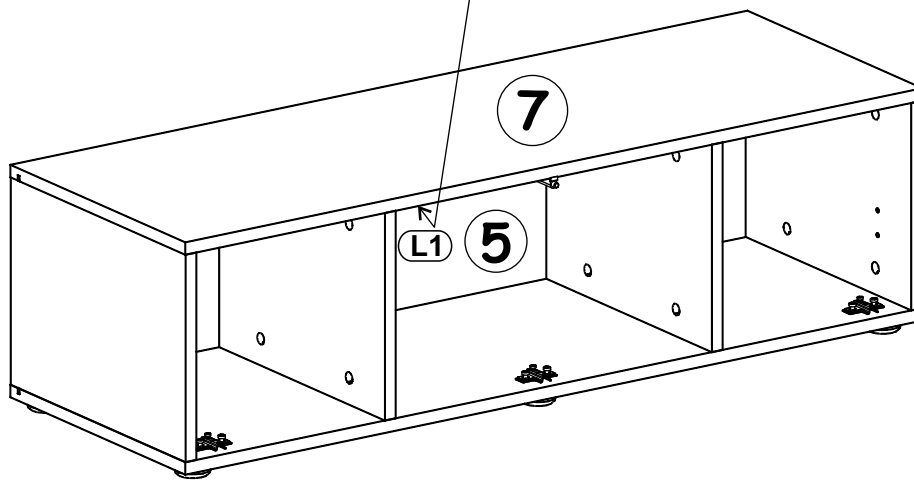
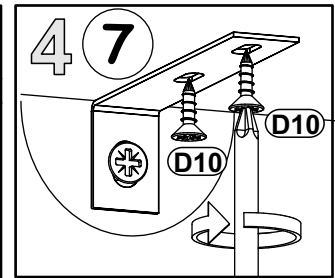
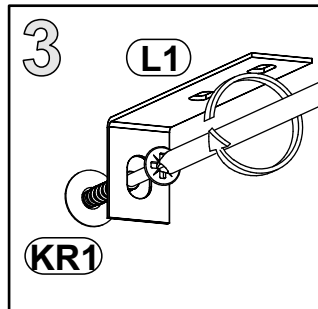
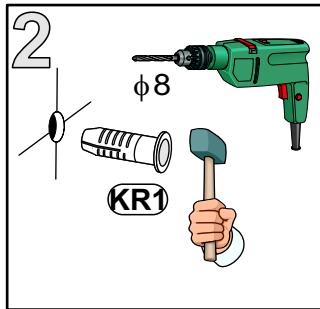
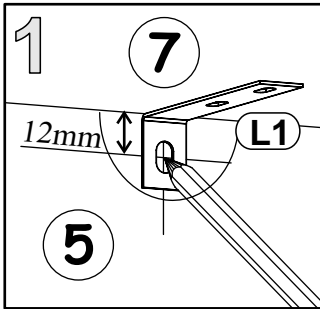
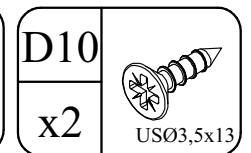
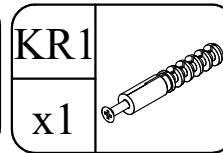
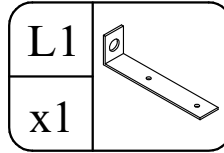
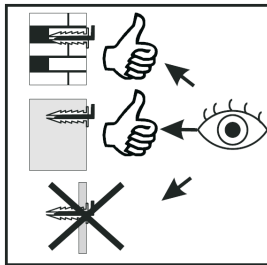
S1	
x10	

UP13	
x2	UPØ3x16

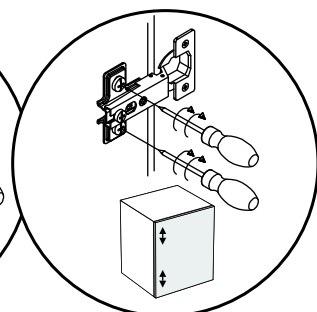
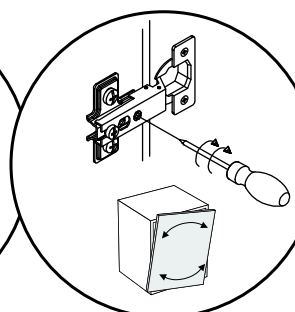
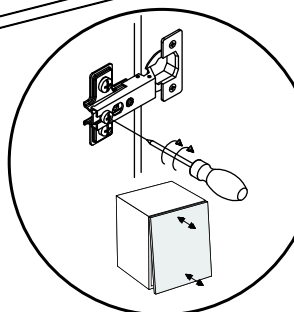
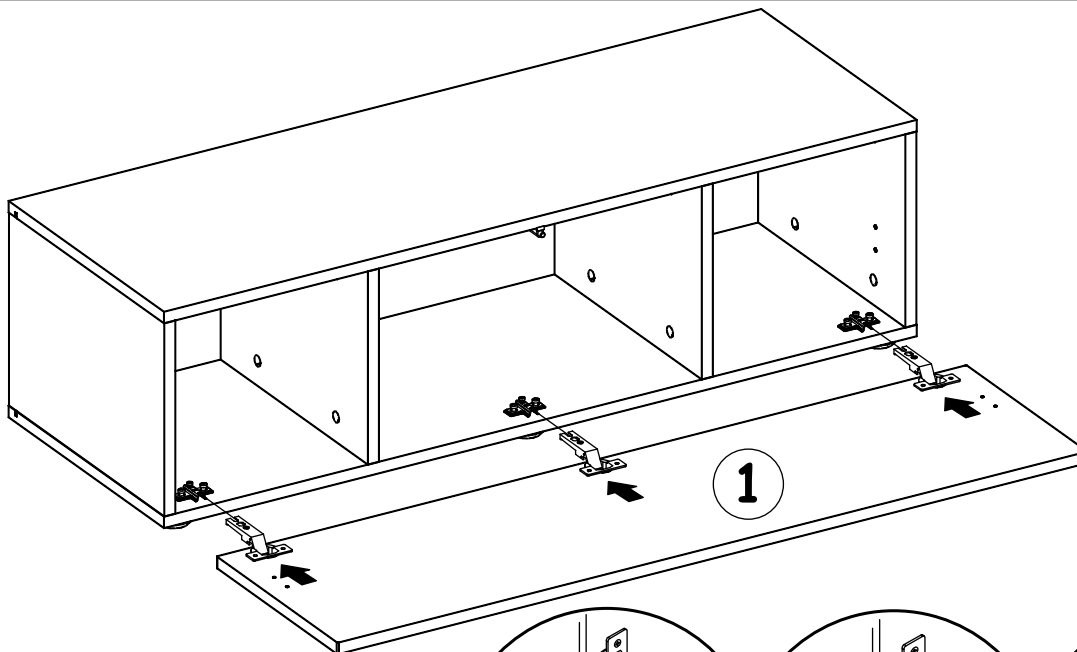


QUILL TYP 30


9

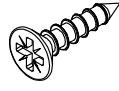


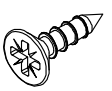
10

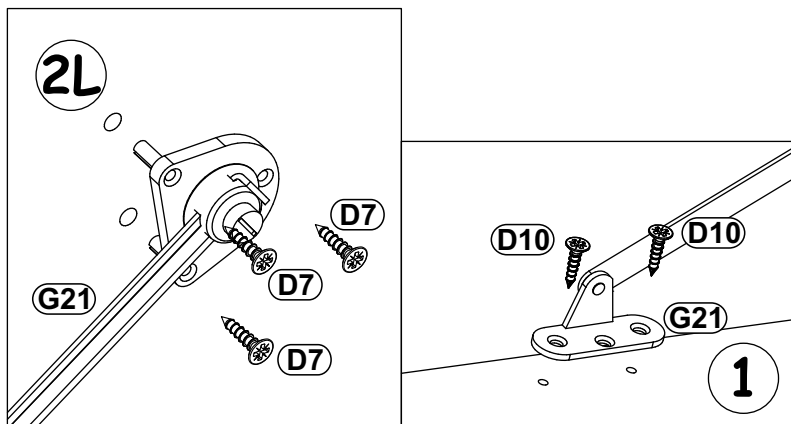
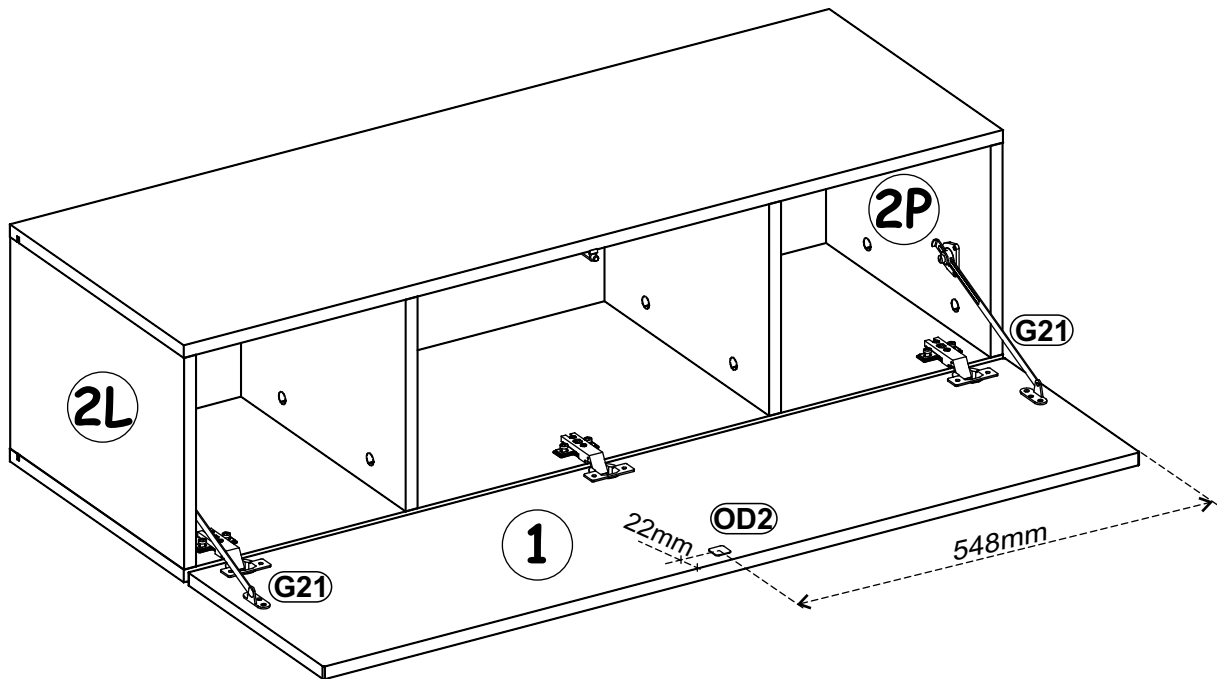
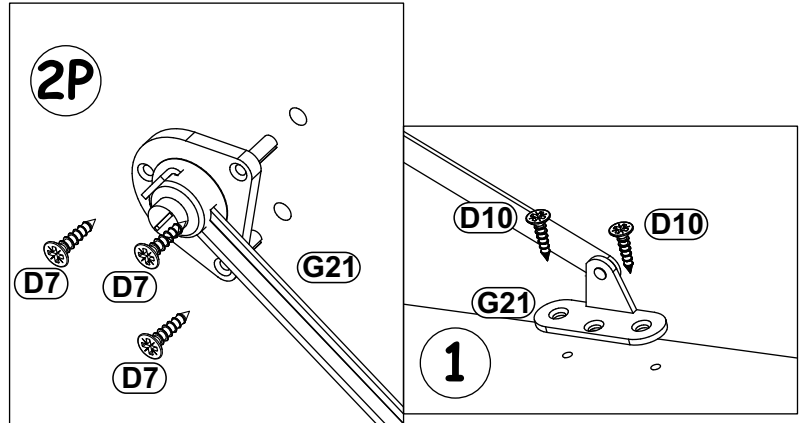


11

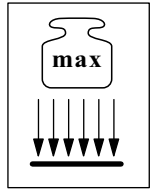
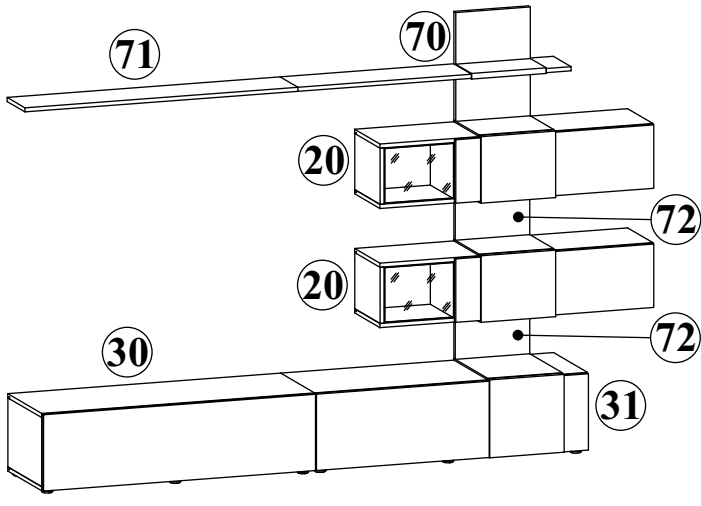
G21	
x2	

D7	
x6	USØ3x16

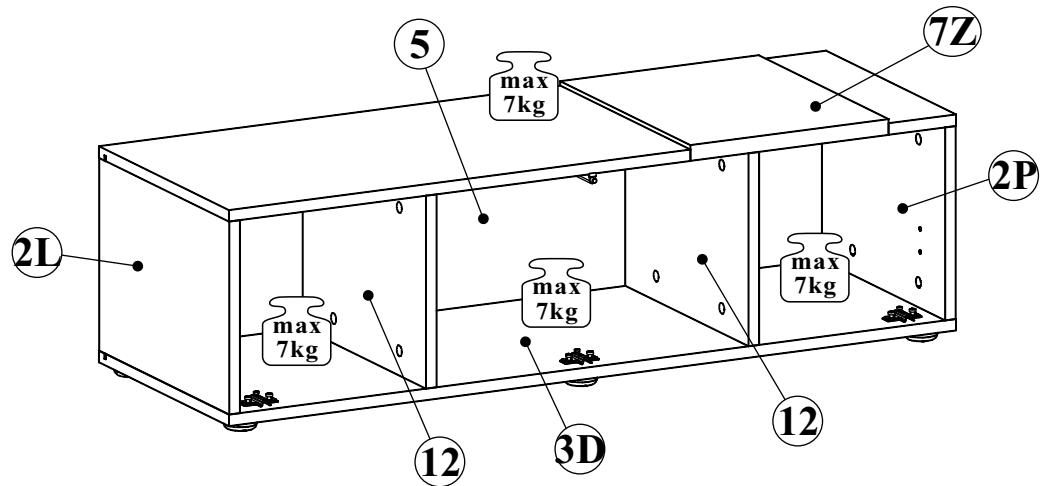
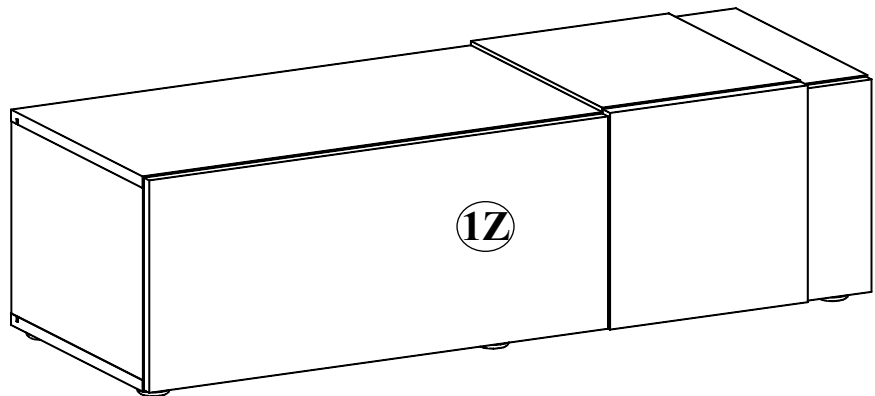
D10	
X4	USØ3,5x13



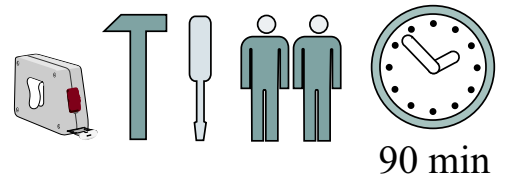
QUILL TYP 31




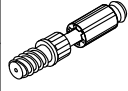

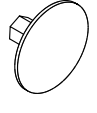


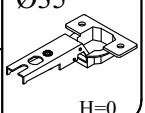
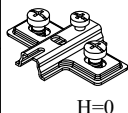

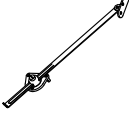


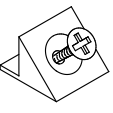


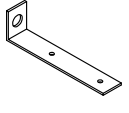

31

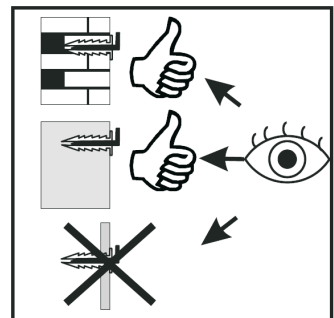
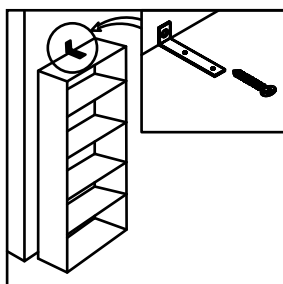
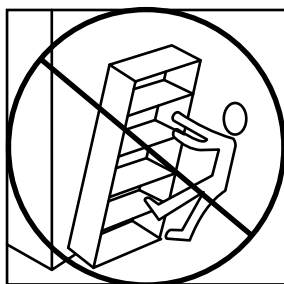
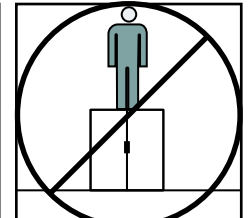
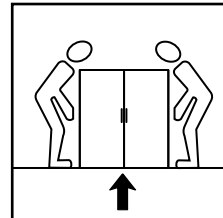
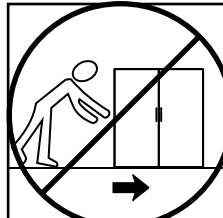
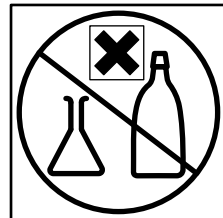
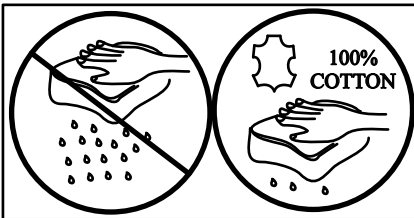
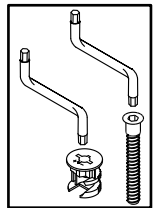
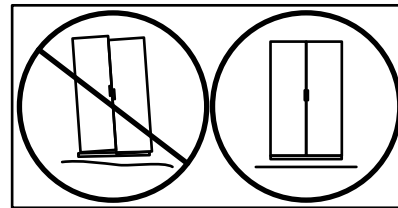
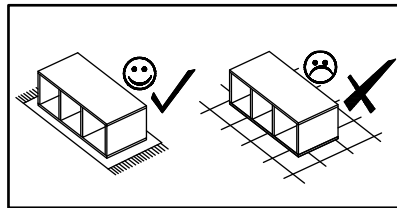
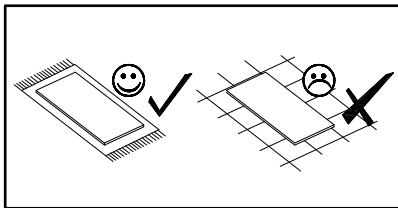
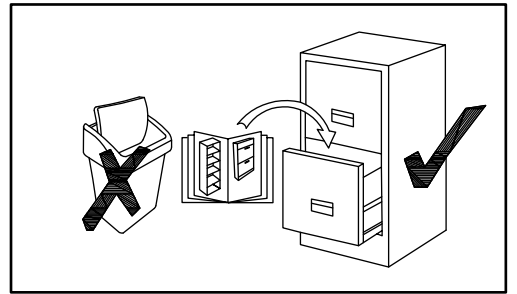
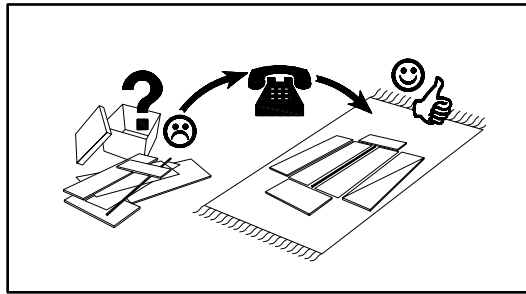
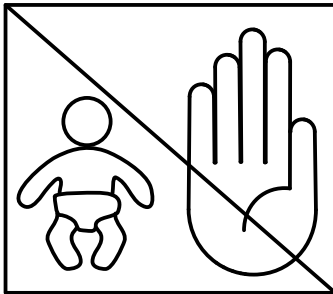
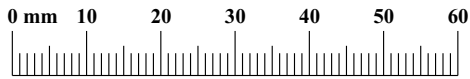


NO	Dim.			Col.-No	Qty
1Z	296	1096	16	1	1
2L	268	380	16	1	1
2P	268	380	16	1	1
12	268	360	16	1	2
3D	1100	380	16	1	1
5	280	1079	3	1	1
7Z	1100	380	16	1	1



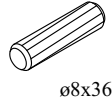
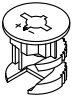
QUILL TYP 31

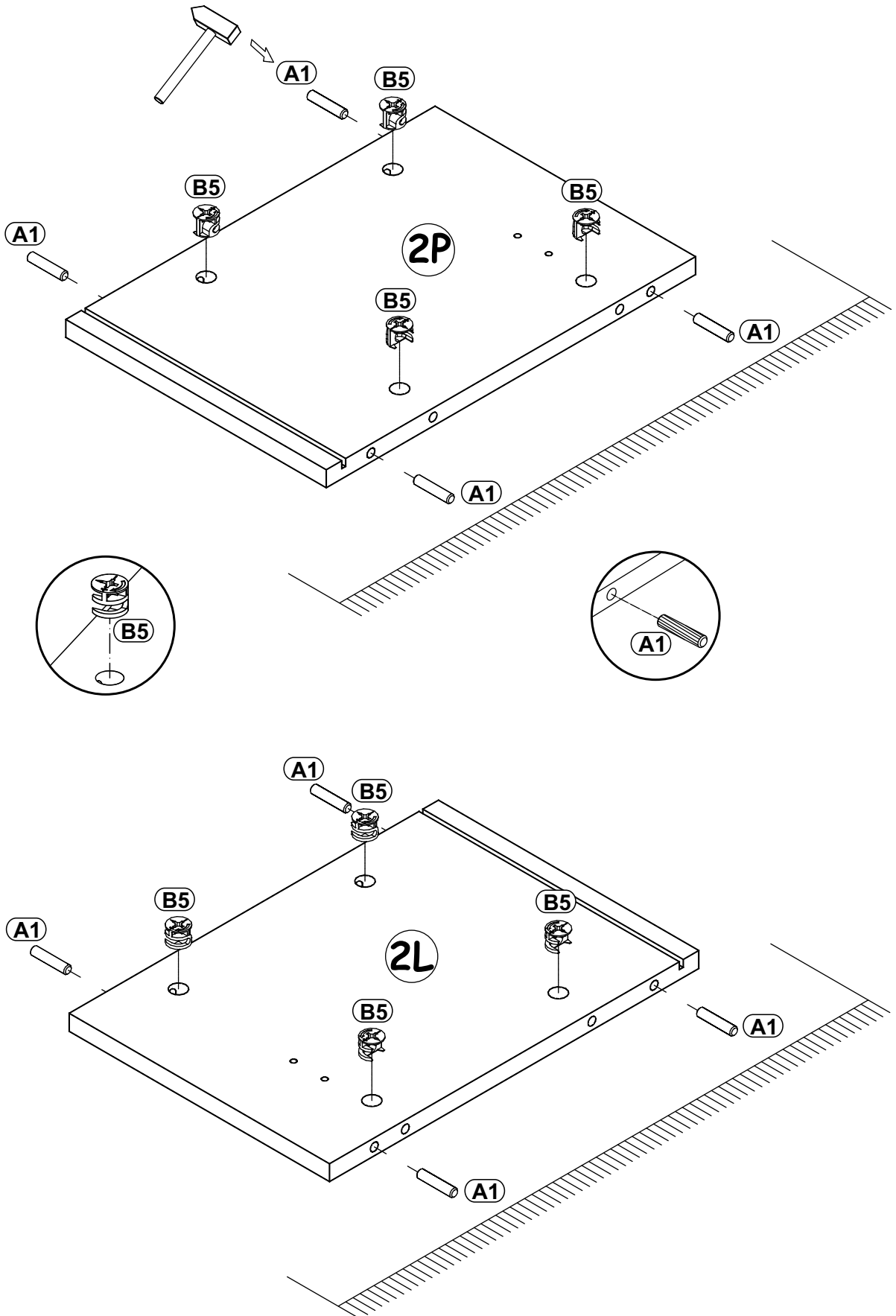
A1 x16  ø8x36	B4 x16 	B5 x16  Ø15x12	G5 x16 	I11 x6  Ø45, h=15	UP11 x6  UPØ4x20
E21 x3  Ø35 H=0	E2 x3  H=0	D10 x14  USØ3,5x13	G21 x2 	D7 x6  USØ3x16	OD2 x1 
S1 x10 	UP13 x2  UPØ3x16	KR1 x1 	L1 x1 	G2 x1 	



QUILL TYP 31

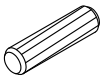
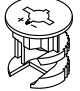
1

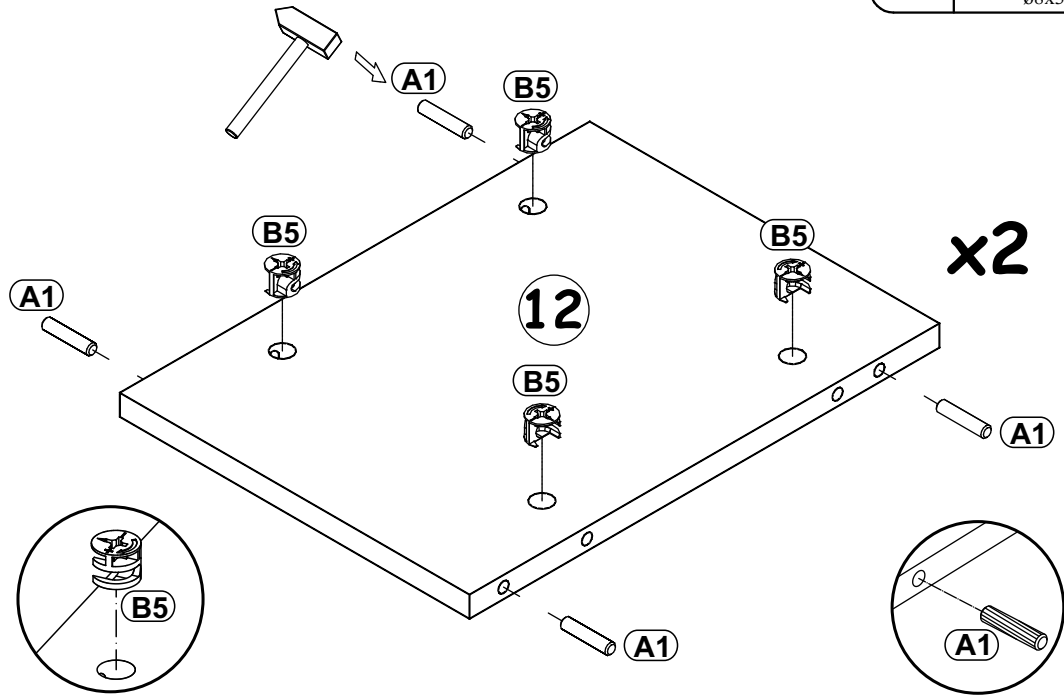
A1	 ø8x36	B5	 Ø15x12
x8		x8	



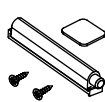
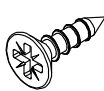
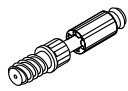
QUILL TYP 31

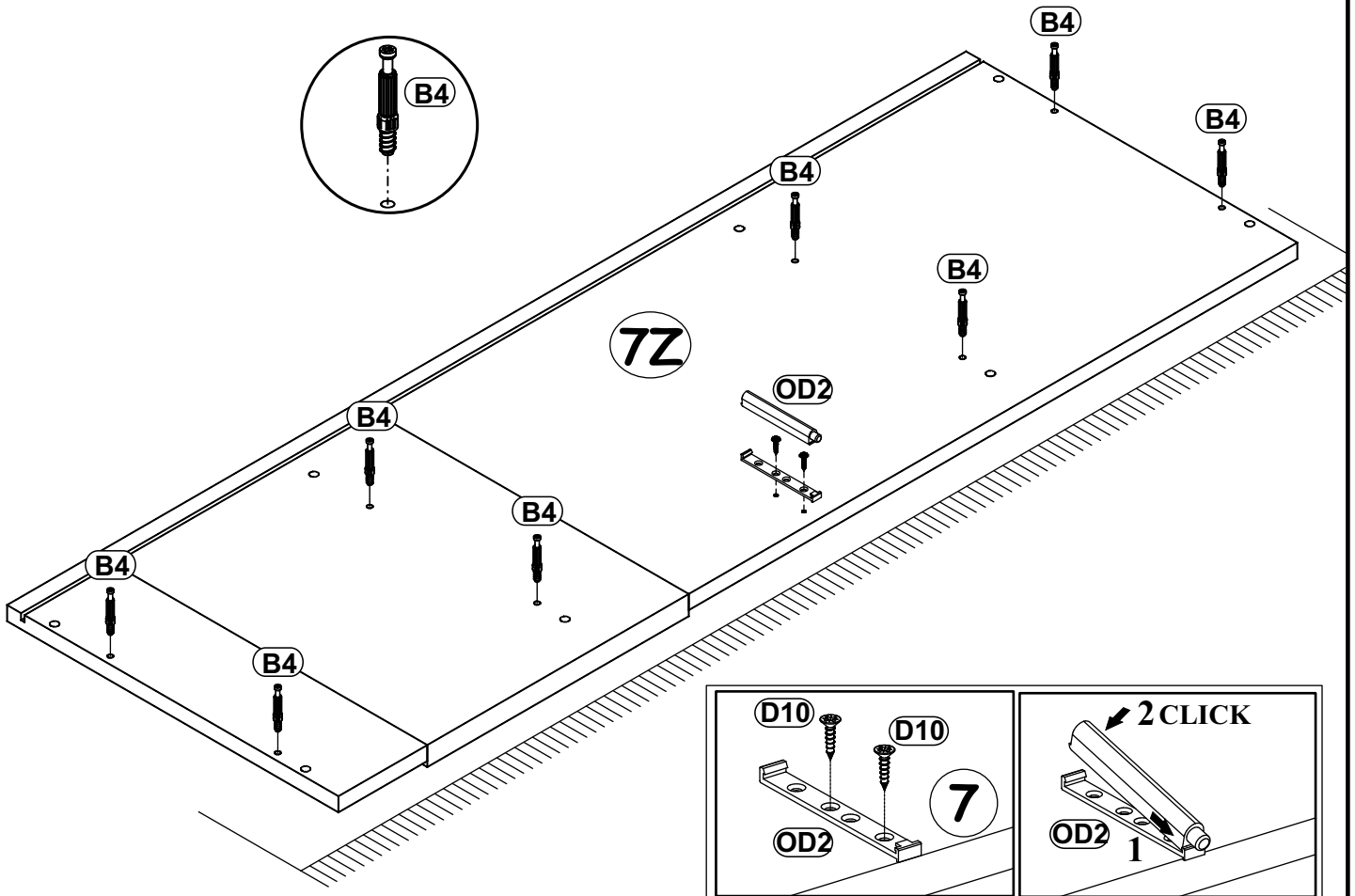
2

A1		B5	
x8	ø8x36	x8	Ø15x12



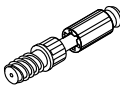
3

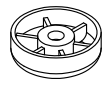
OD2		D10		B4	
x1		x2	USØ3,5x13	x8	

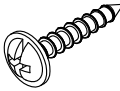


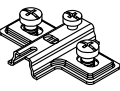
QUILL TYP 31

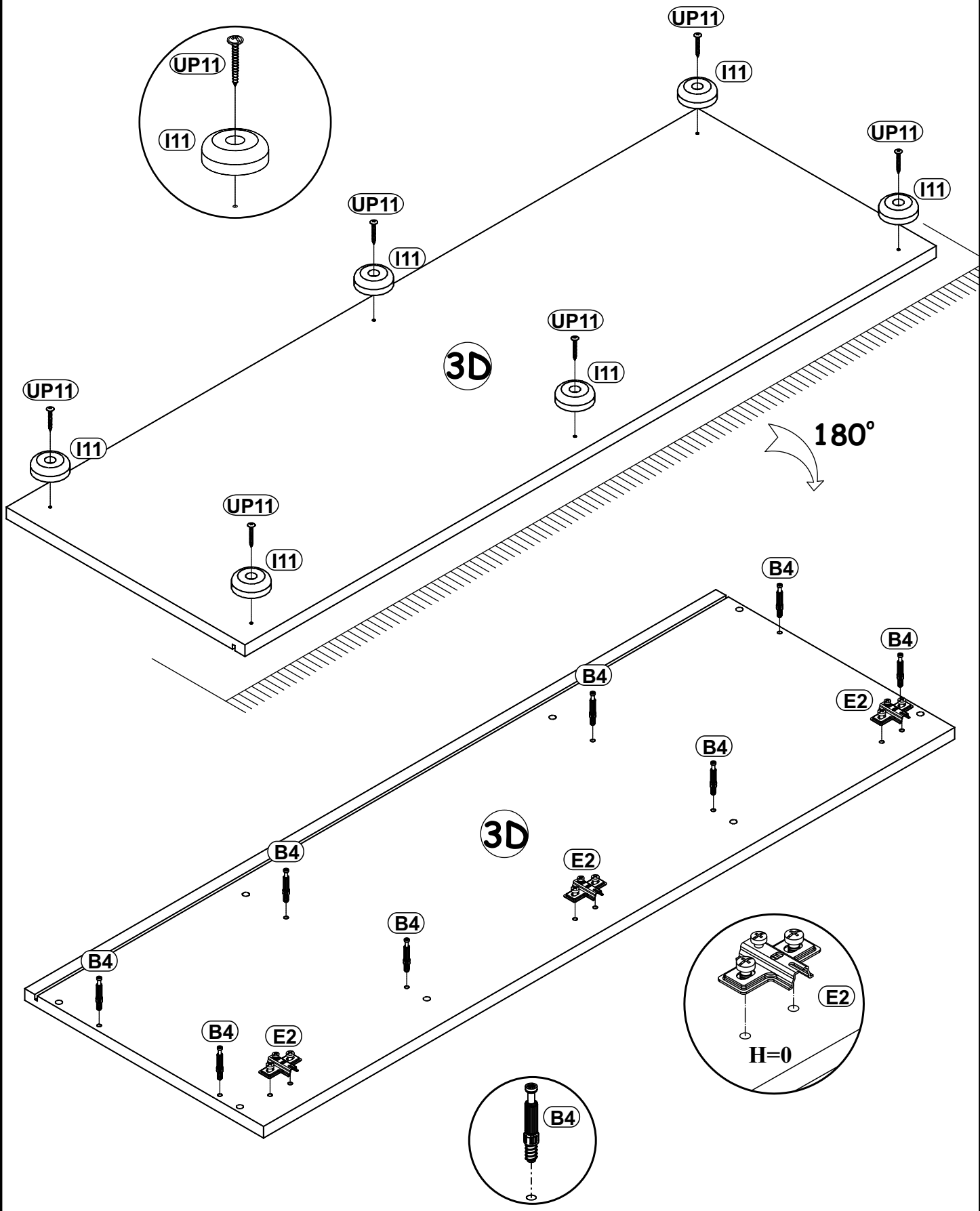
4

B4	
x8	

I11	
x6	Ø45, h=15


UP11	
x6	UPØ4x20

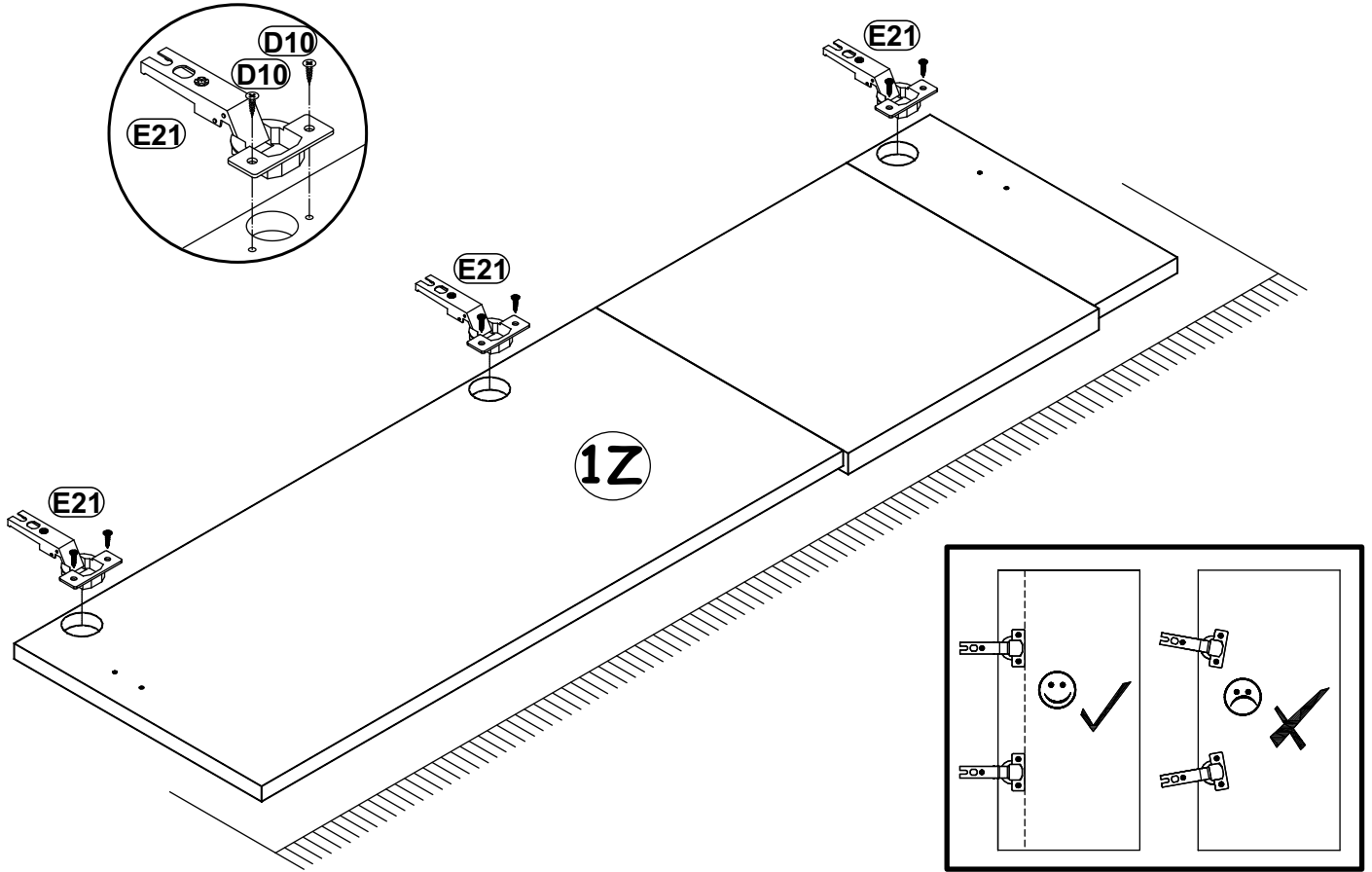
E2	
x3	H=0




QUILL TYP 31

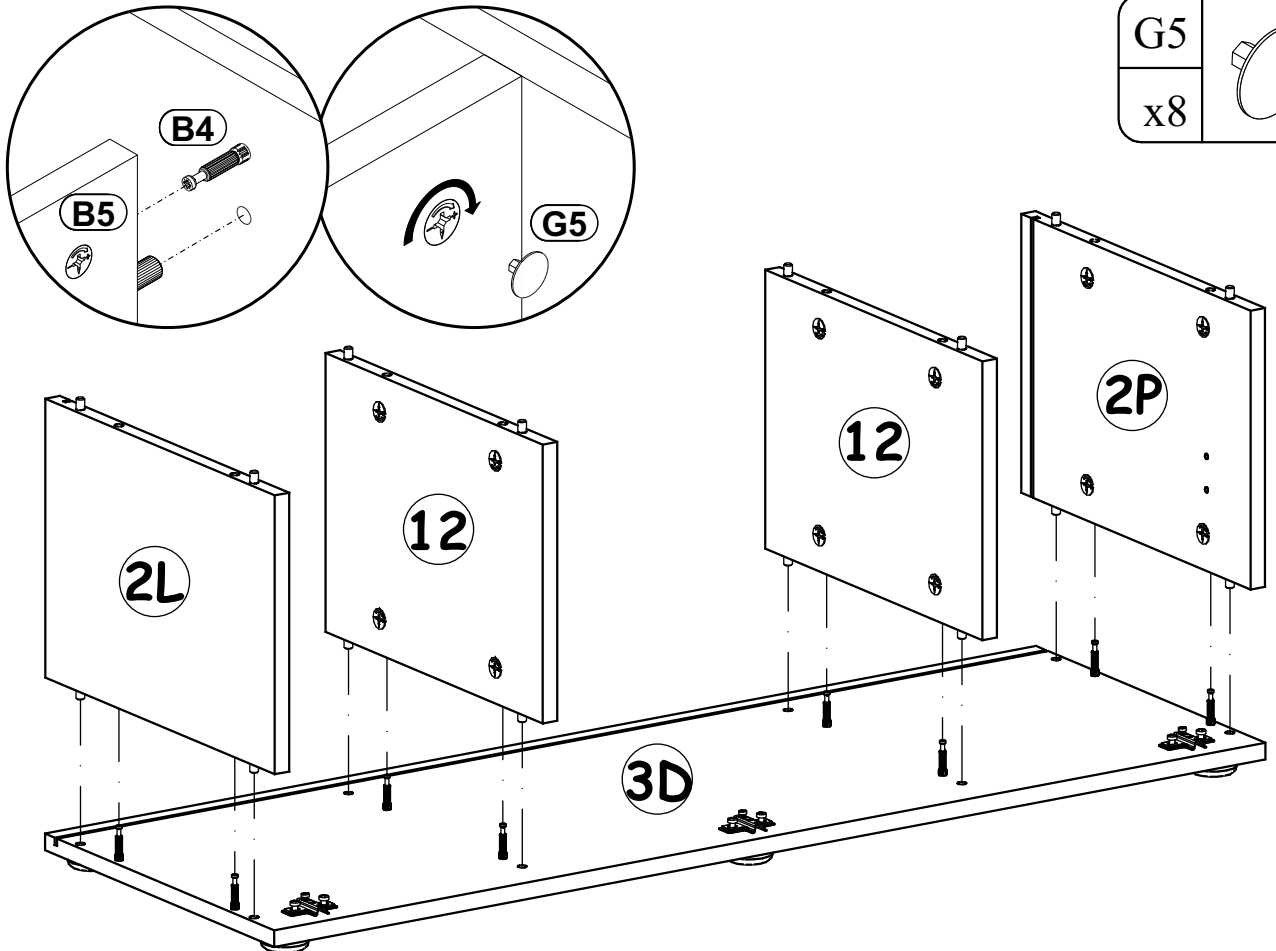
5

E21	Ø35	D10	 USØ3,5x13
x3	H=0	x6	



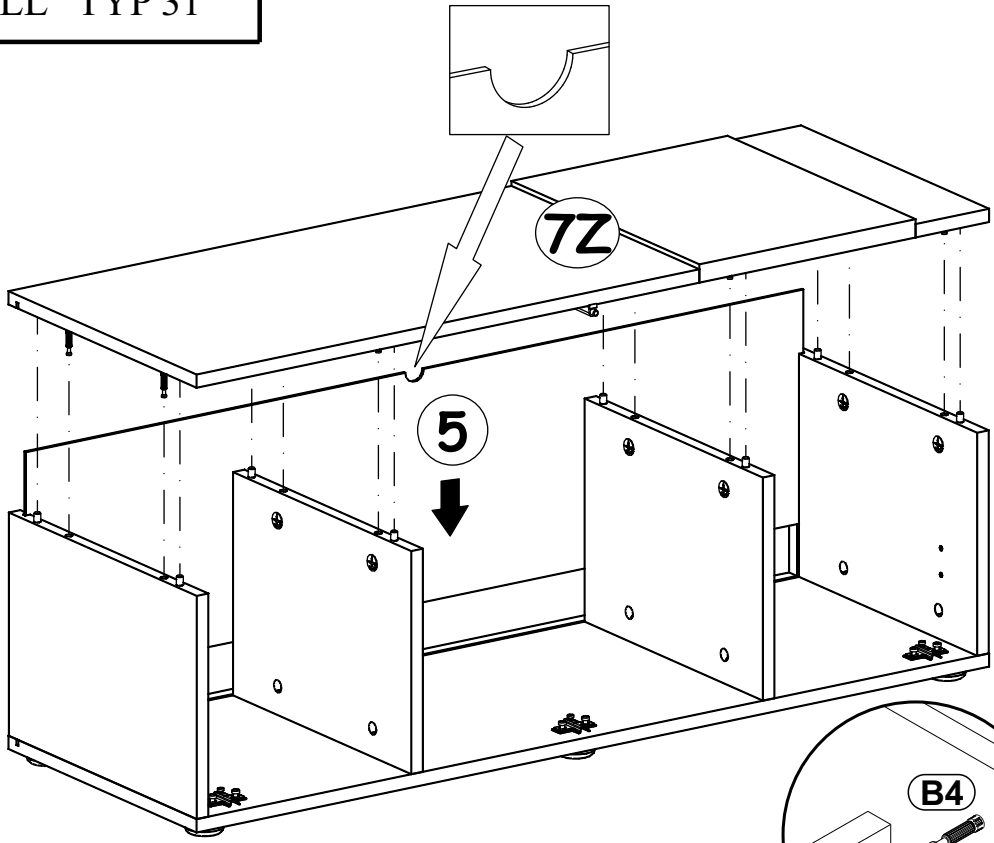
6

G5	
x8	



QUILL TYP 31

7



G5	
x8	

Callouts showing the installation of screws B4, B5, and G5.

8

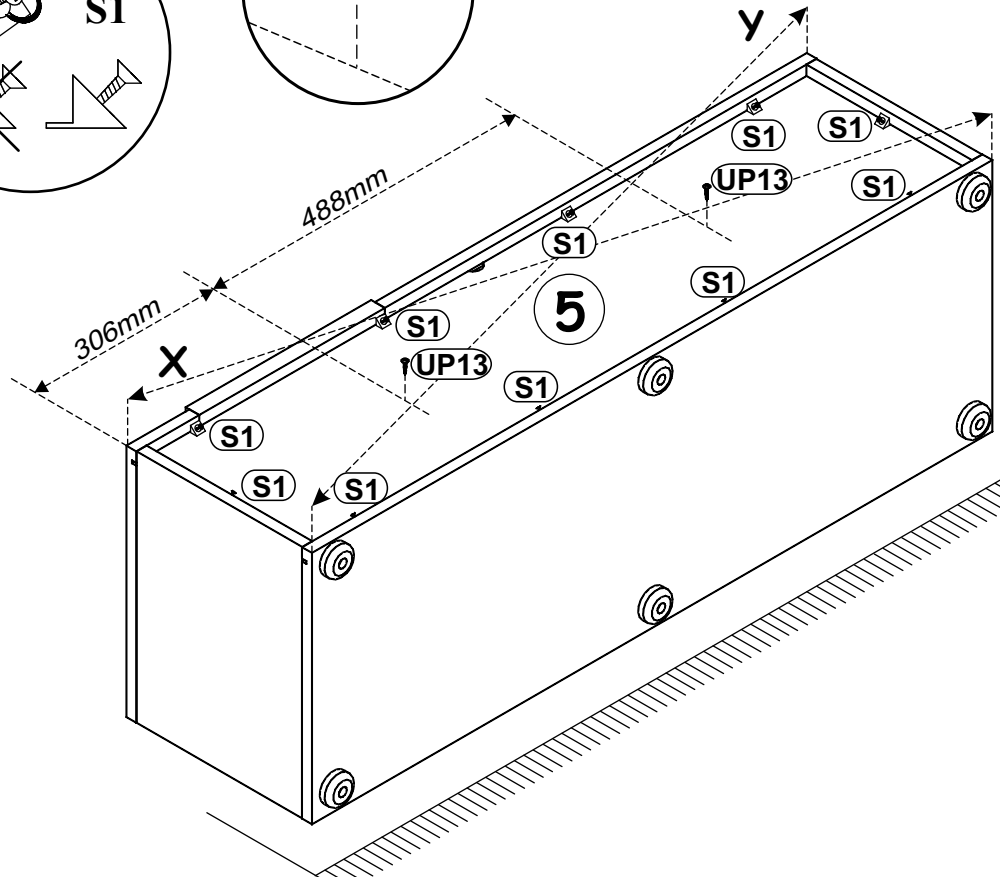
Callout showing the correct and incorrect way to install screw S1.

Callout showing the correct way to install screw UP13.

S1	
x10	

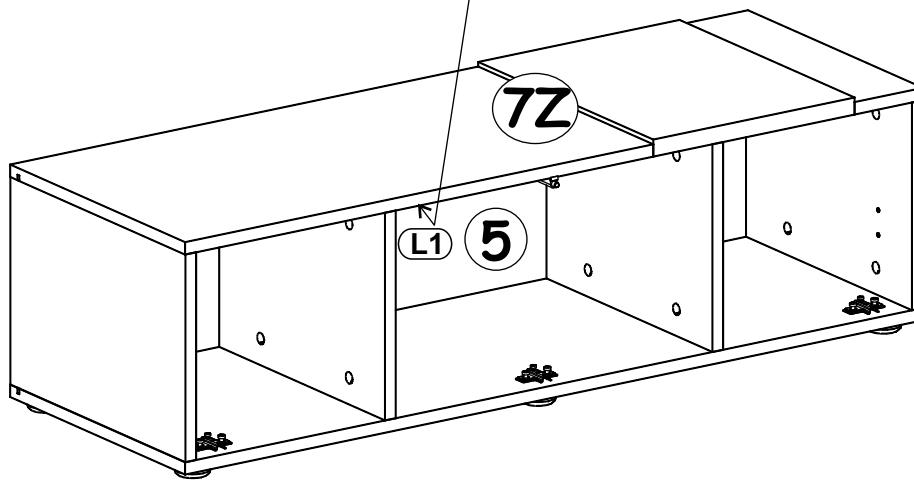
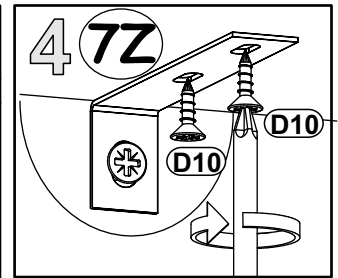
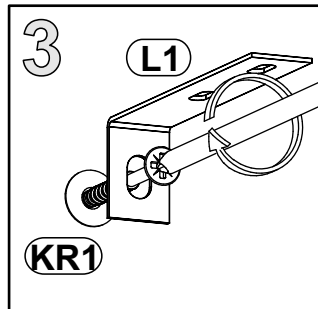
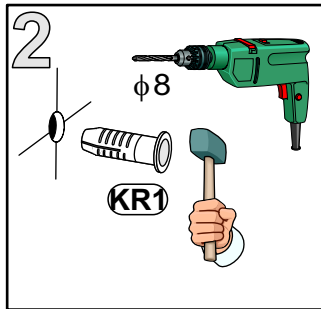
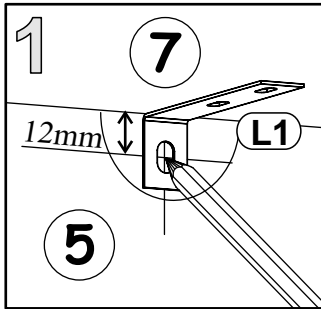
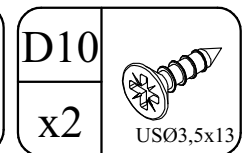
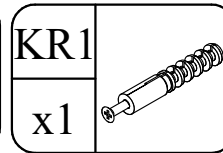
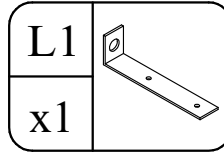
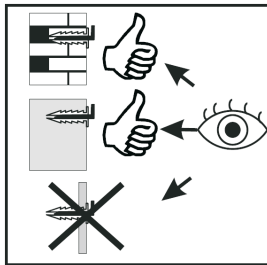
UP13	
x2	UPØ3x16

X=Y 90°

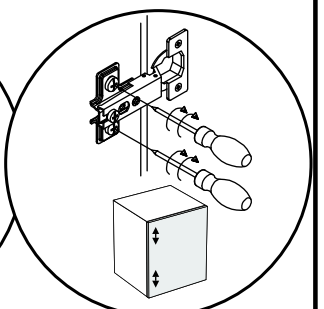
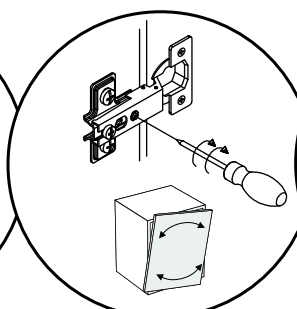
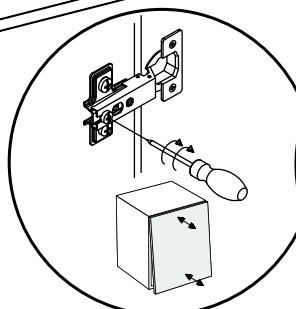
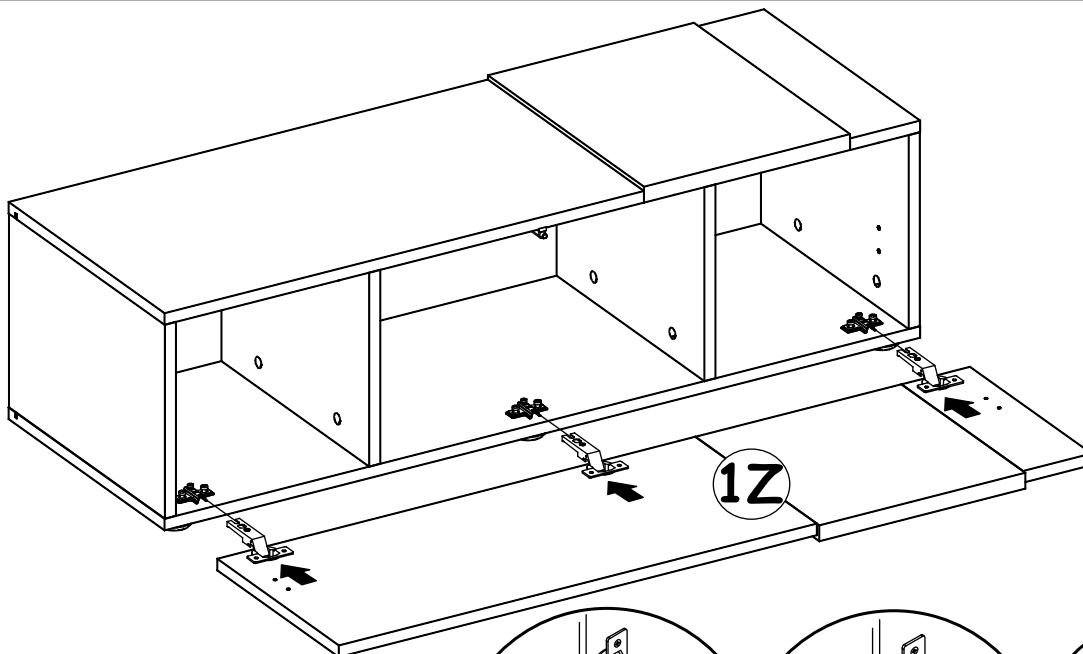


QUILL TYP 31

9

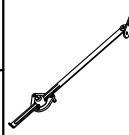


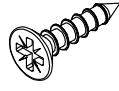
10

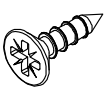


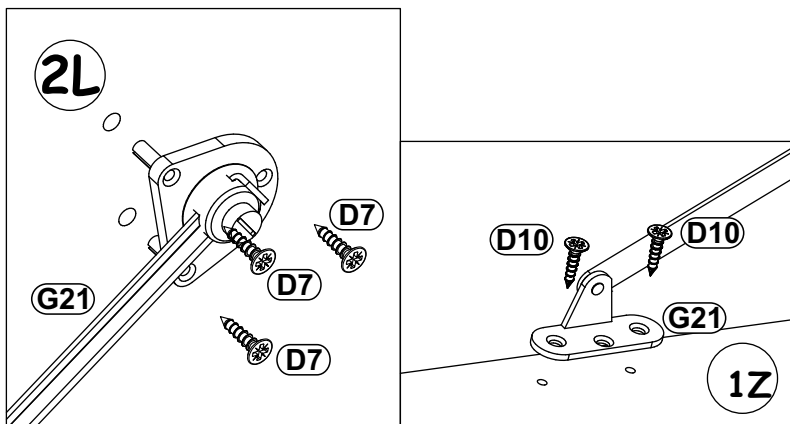
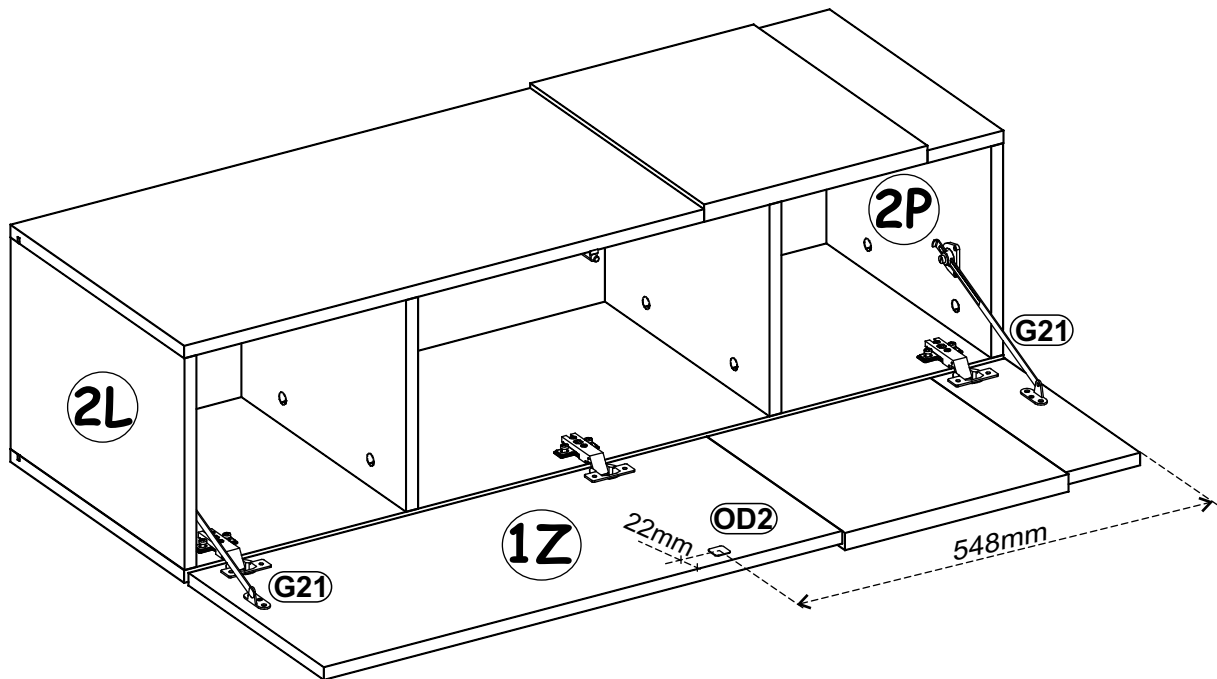
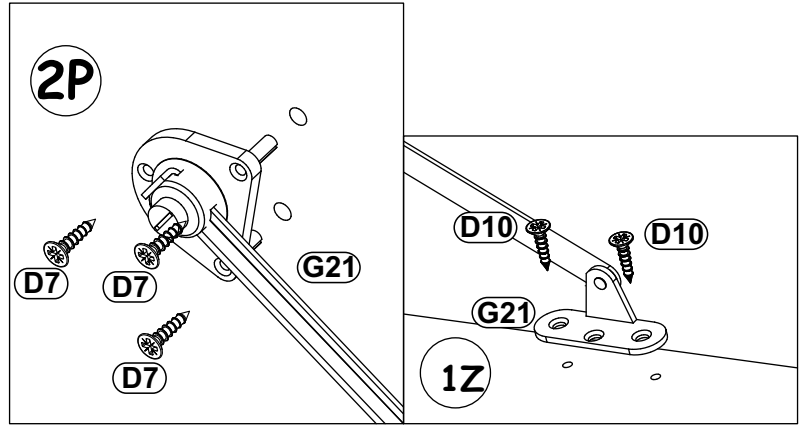
QUILL TYP 31

11

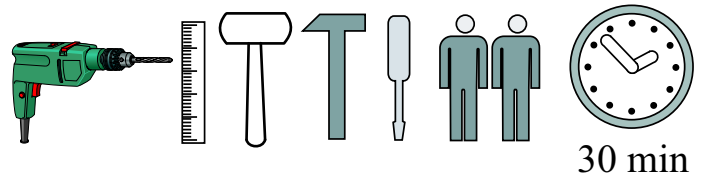
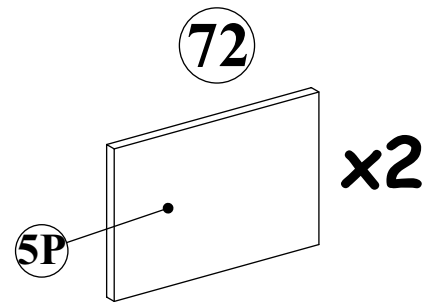
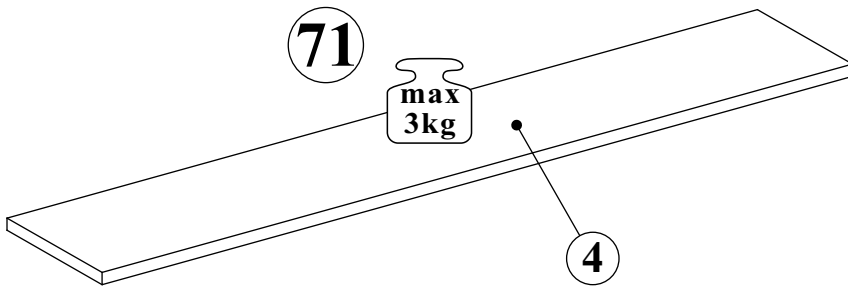
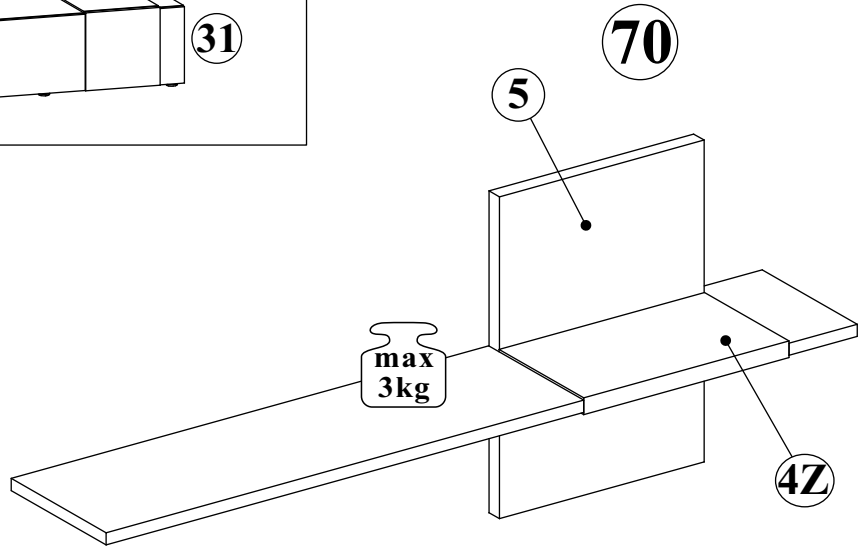
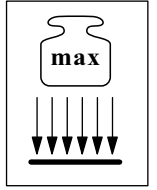
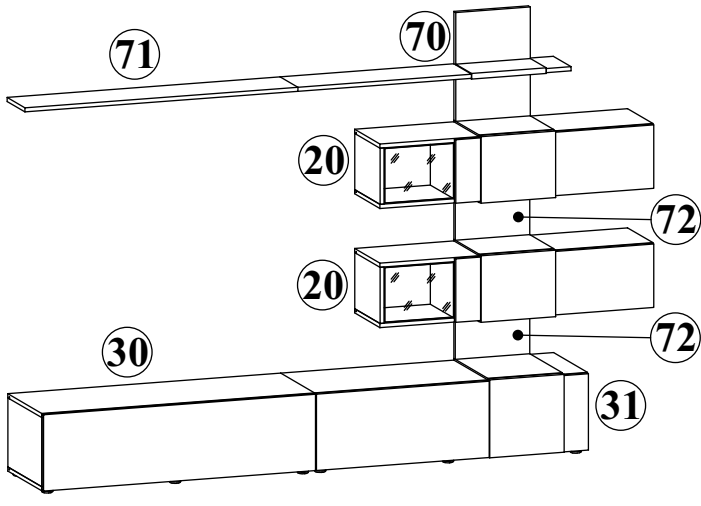
G21	
x2	

D7	
x6	USØ3x16

D10	
X4	USØ3,5x13

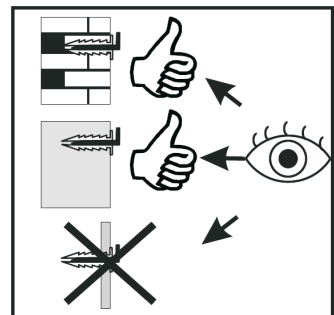
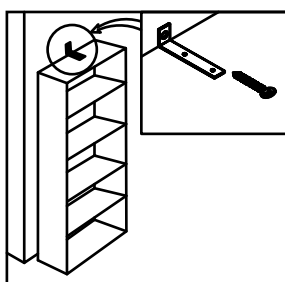
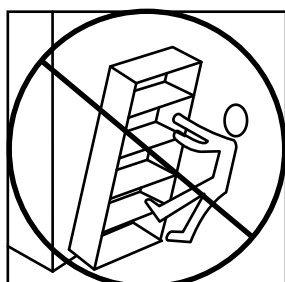
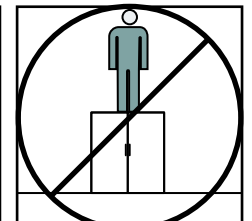
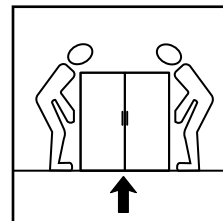
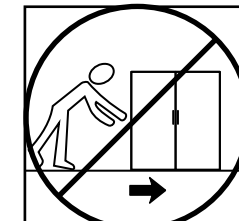
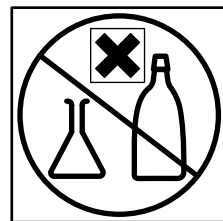
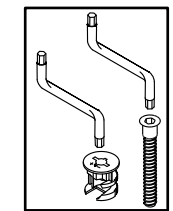
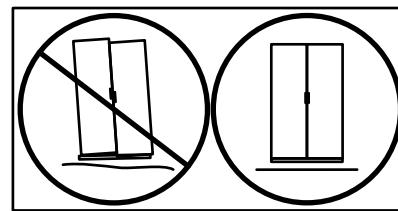
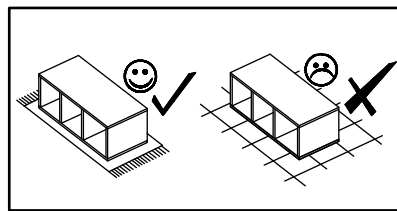
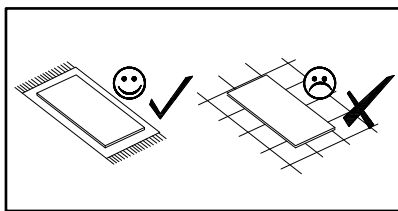
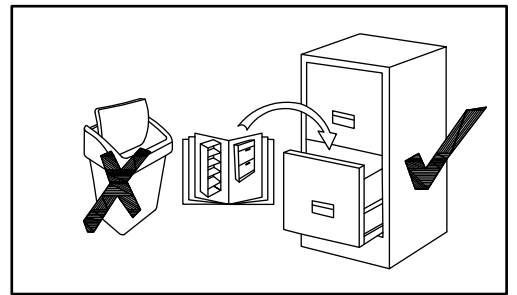
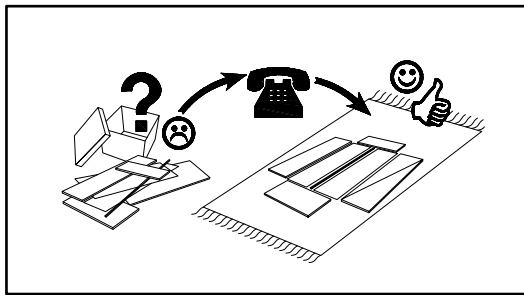
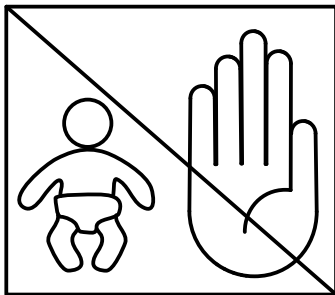
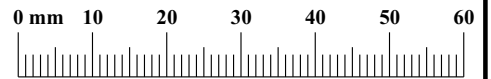
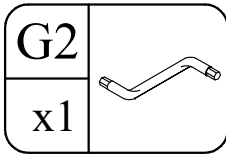
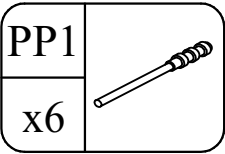
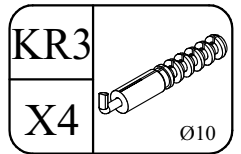
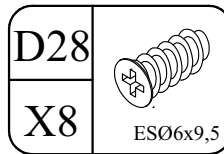
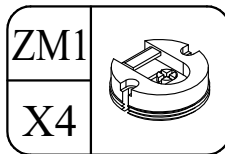
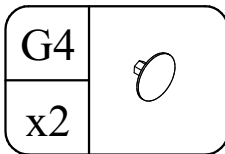
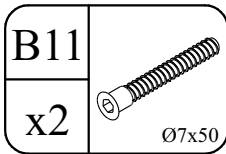
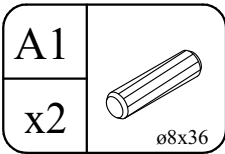


QUILL TYP 70; 71; 72



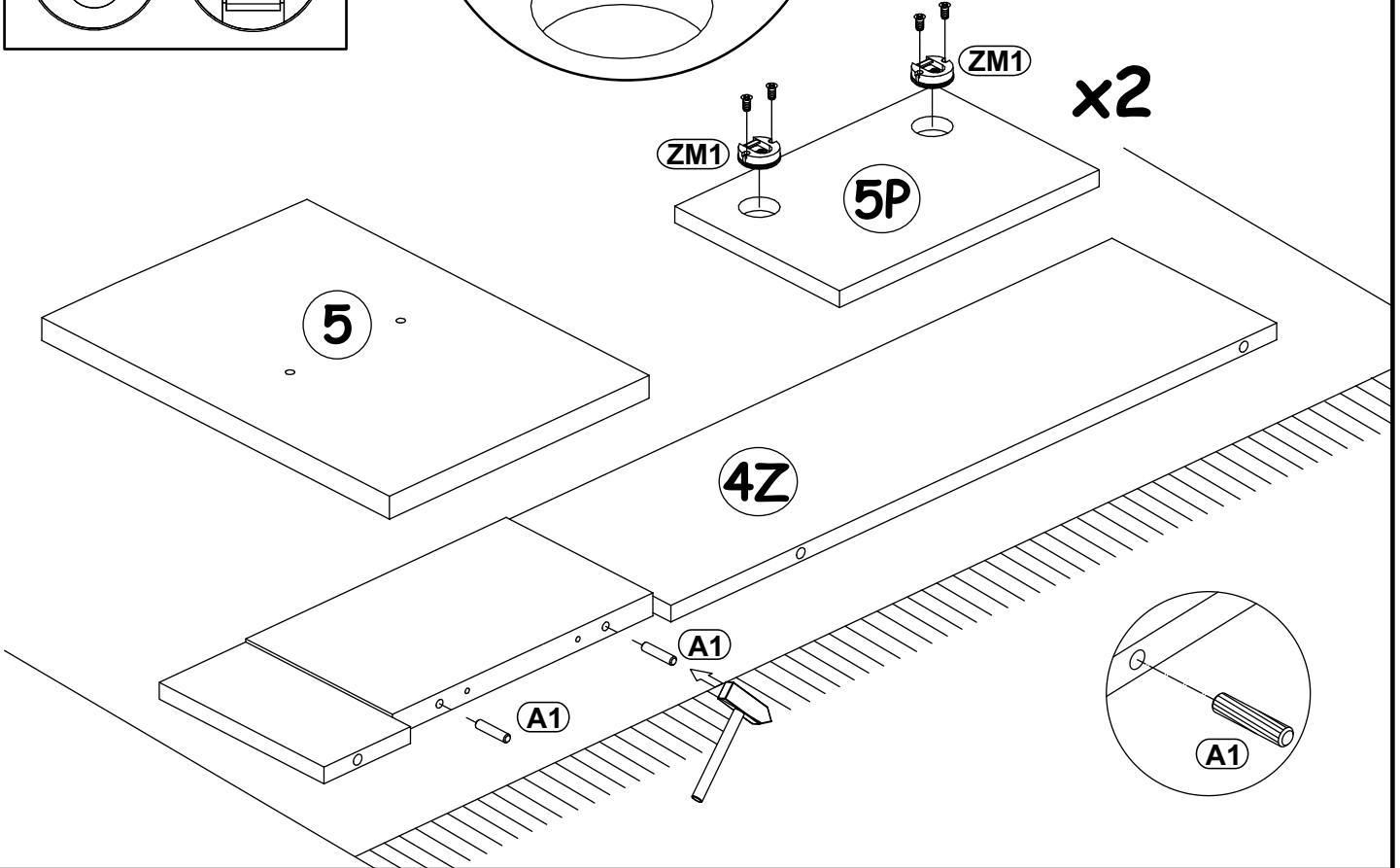
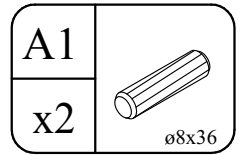
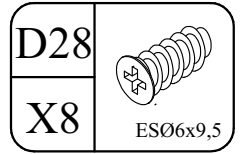
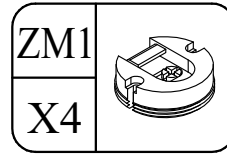
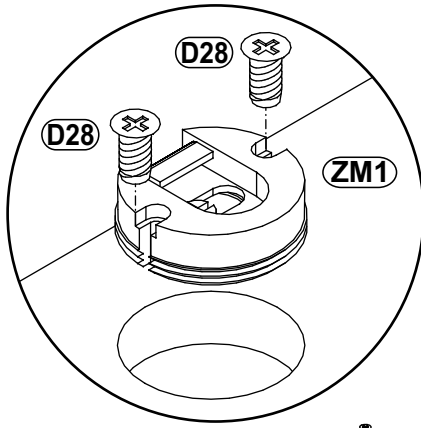
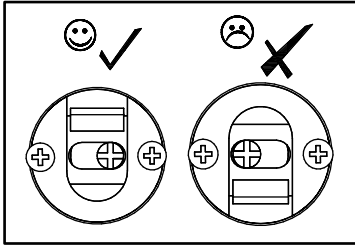
NO	Dim.			Col.-No	Qty
5P	200	300	22	1	2
5	422	300	22	1	1
4Z	1100	200	16	1	1
4	1100	200	16	1	1

QUILL TYP 70; 71; 72

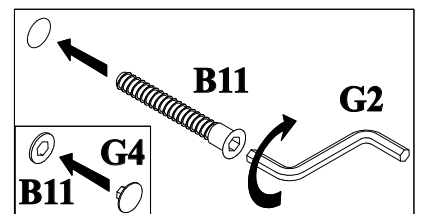
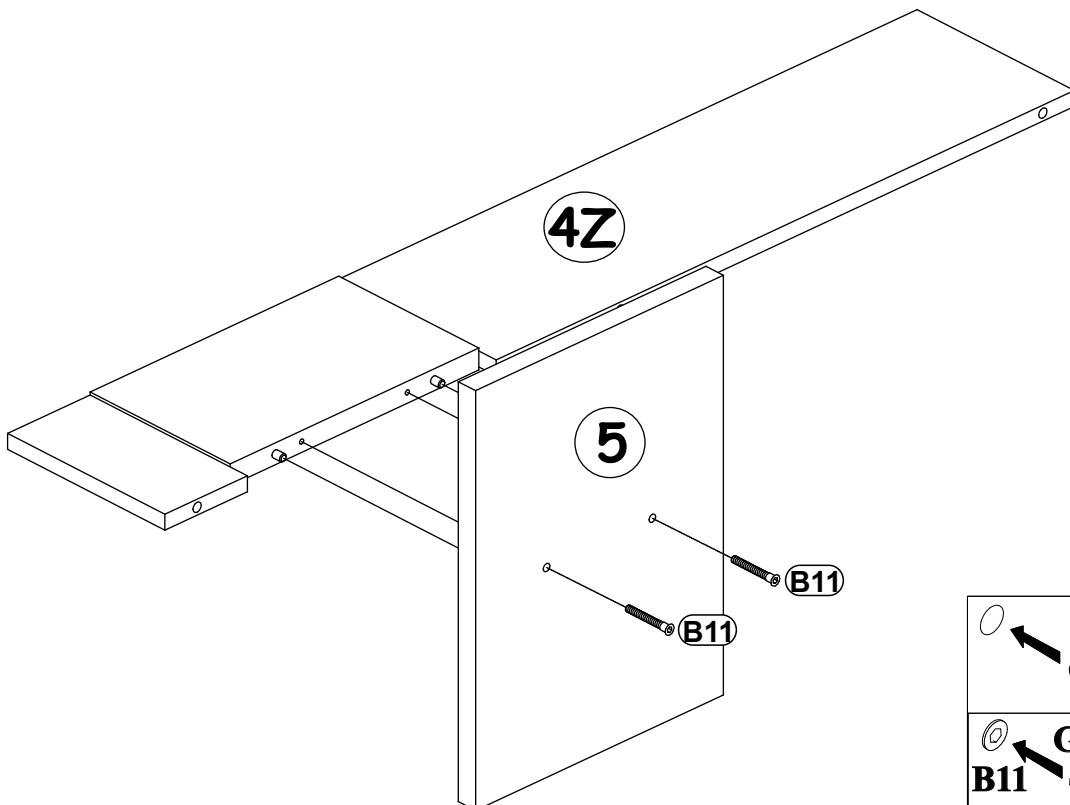
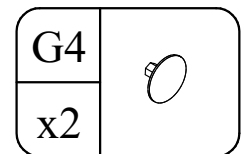
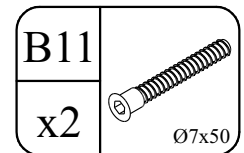


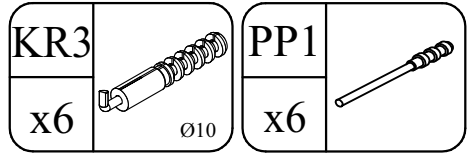
QUILL TYP 70; 71; 72

1

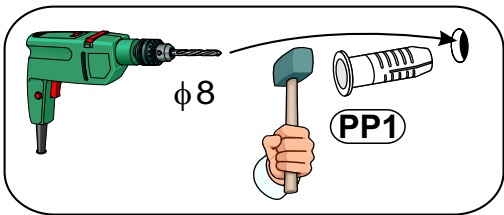
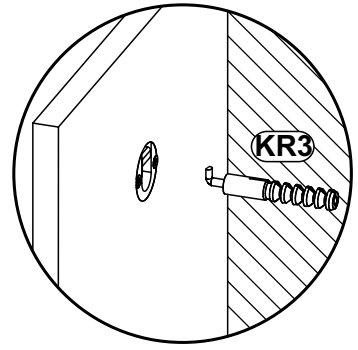
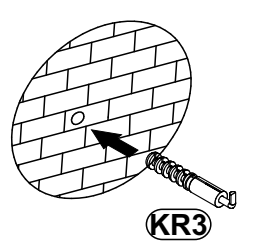
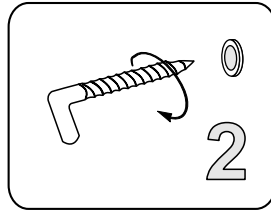
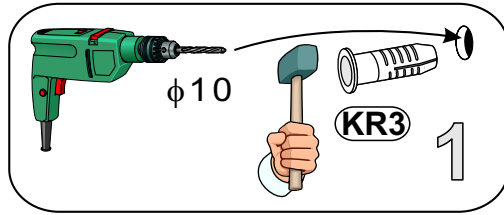
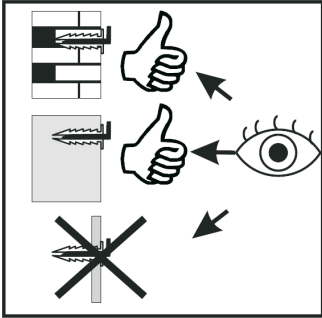


2



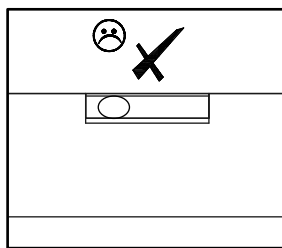
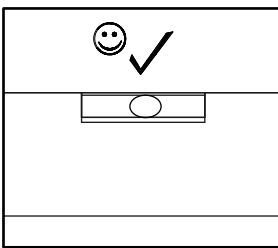
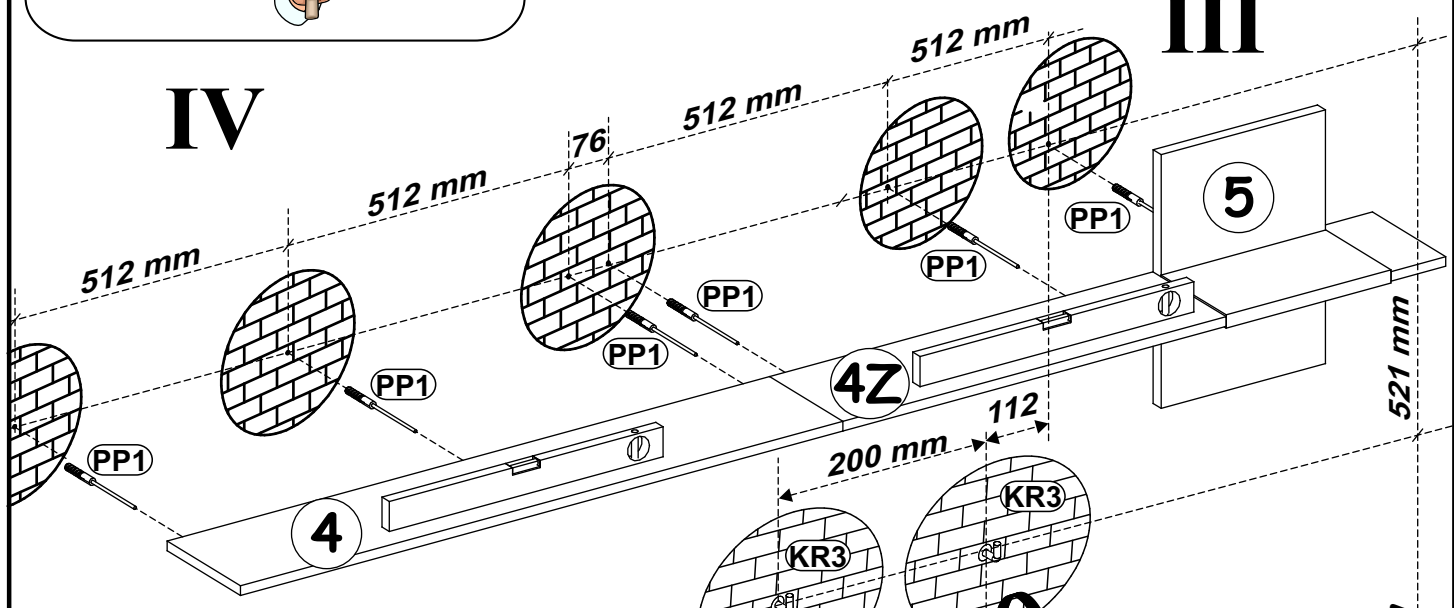


3

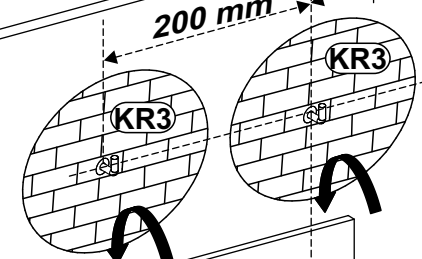


IV

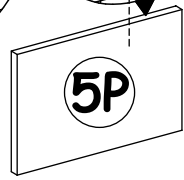
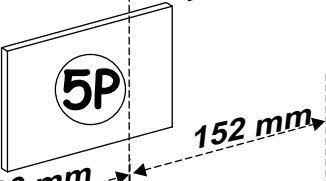
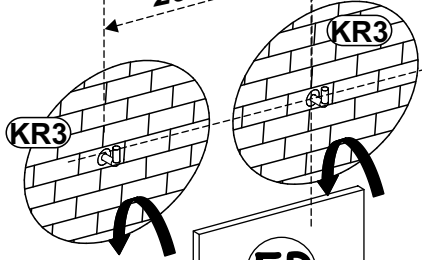
III



II



I



31

