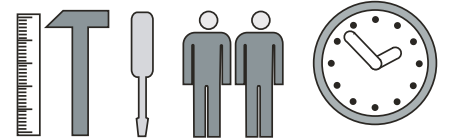
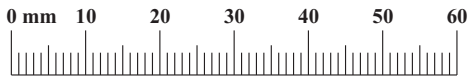
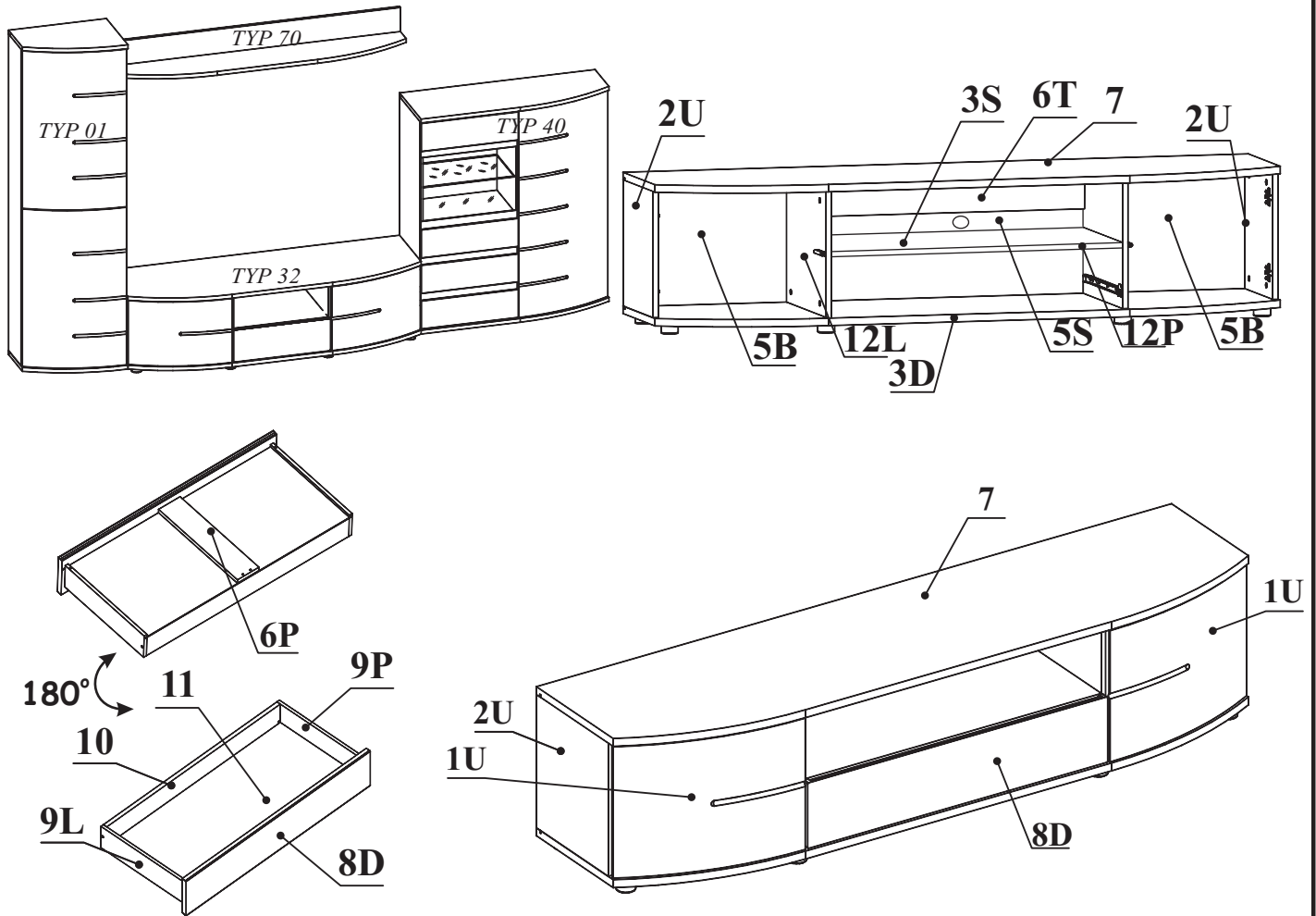


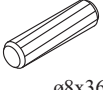
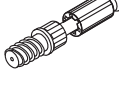

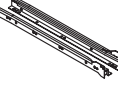


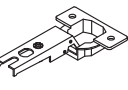
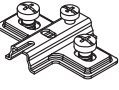


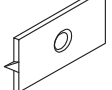

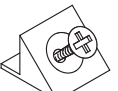


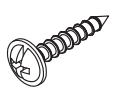




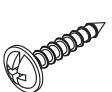
ABW ONTARIO II
RTV ONTARIO II

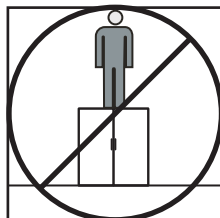
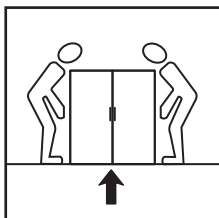
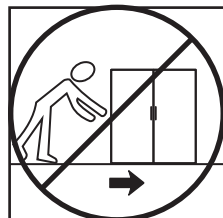
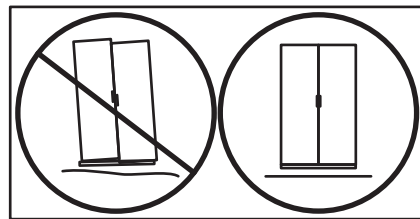
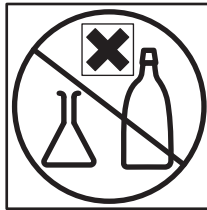
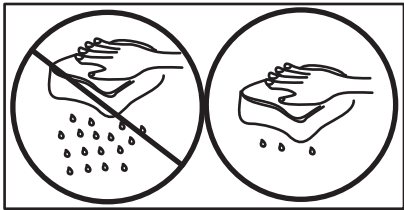
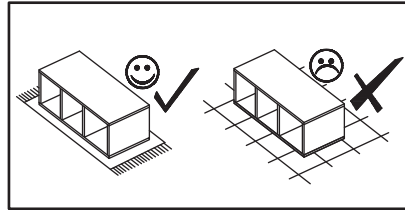
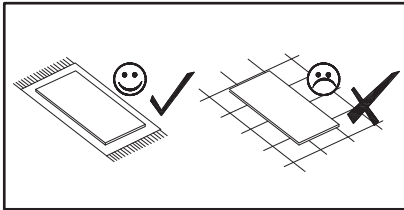
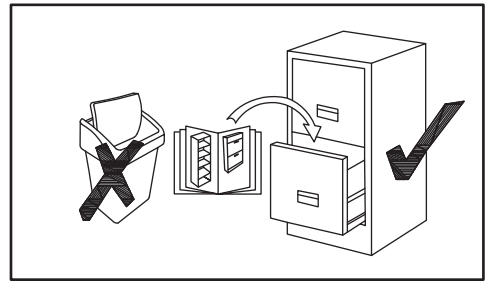
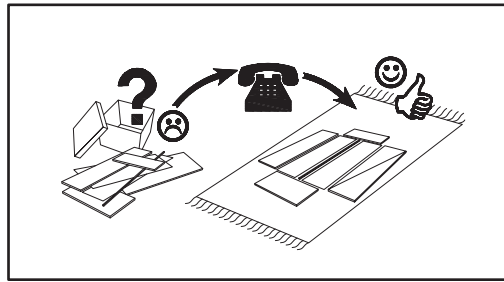
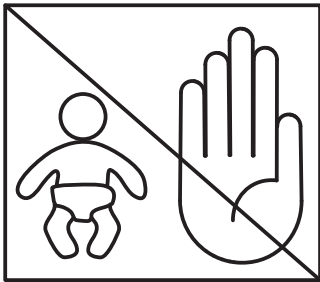
TYPE-32

24...02



90 min

A1 X32  ø8x36	B4 X22 	B5 X22  ø15x12	H5 X1 	G5 X22 	D11 X8  USØ3,5x25
E1 X4  H=0	E2 X4  H=0	ST2 X8 	D9 X4  USØ3x20	G16 X4 	D27 X4  EsØ5x13
S1 X18 	D10 X16  USØ3,5x13	G2 X1 	UP13 X6  UPØ3x16	T2 X2  20x14	B11 X2  Ø7x50
G4 X2 	G18 X1 	UP 16 X2  UpØ4x35			

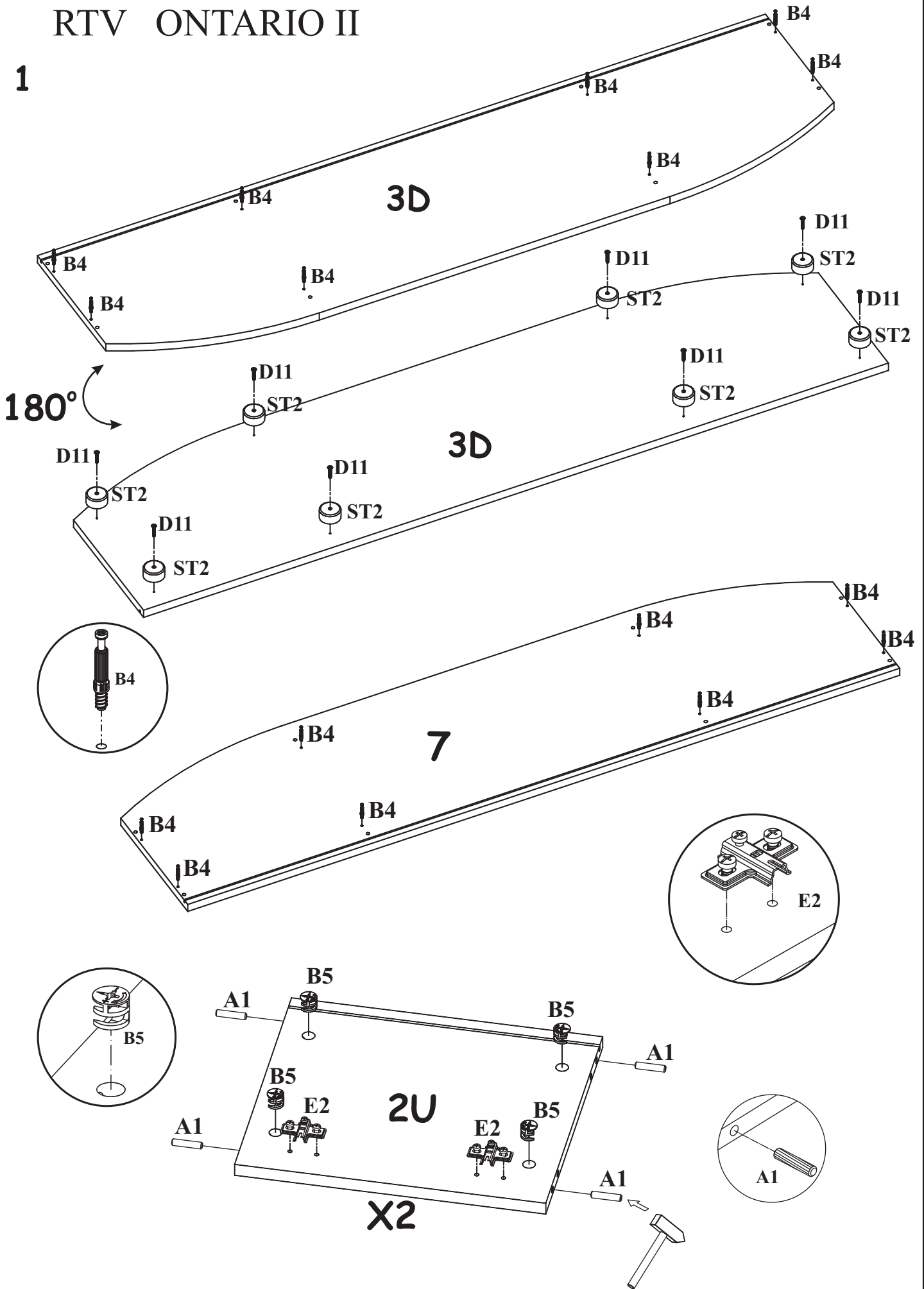


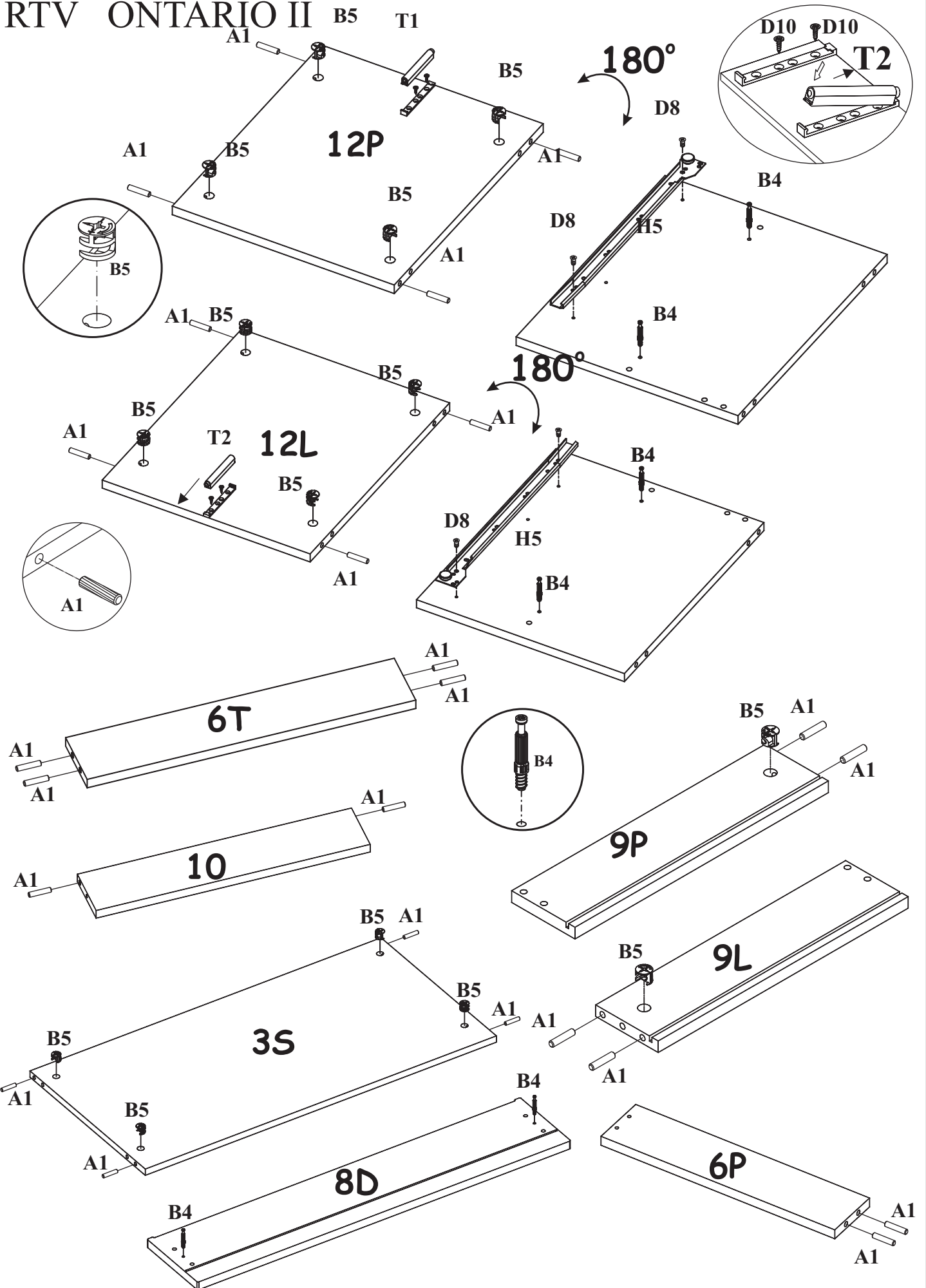
ABW ONTARIO II
RTV ONTARIO II

TYPE-32

24...O2

1

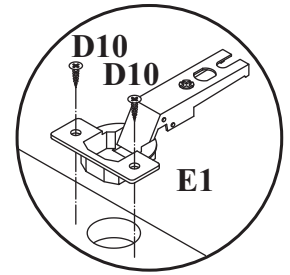
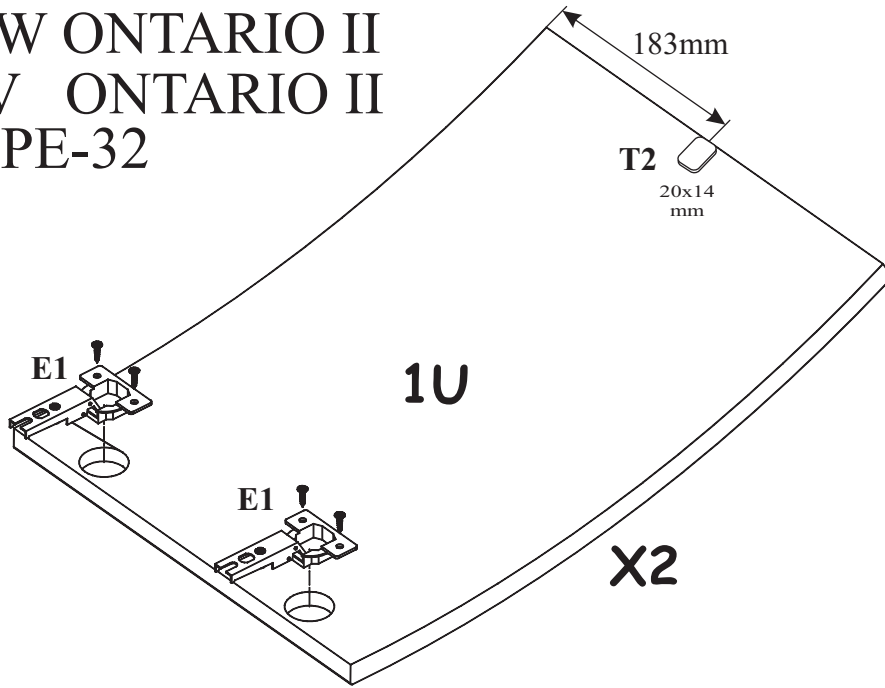




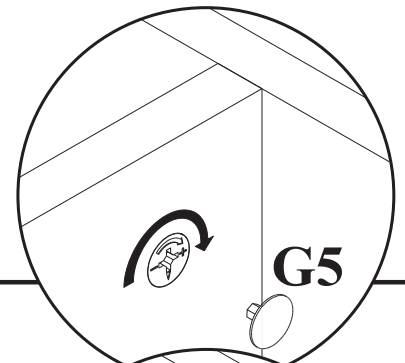
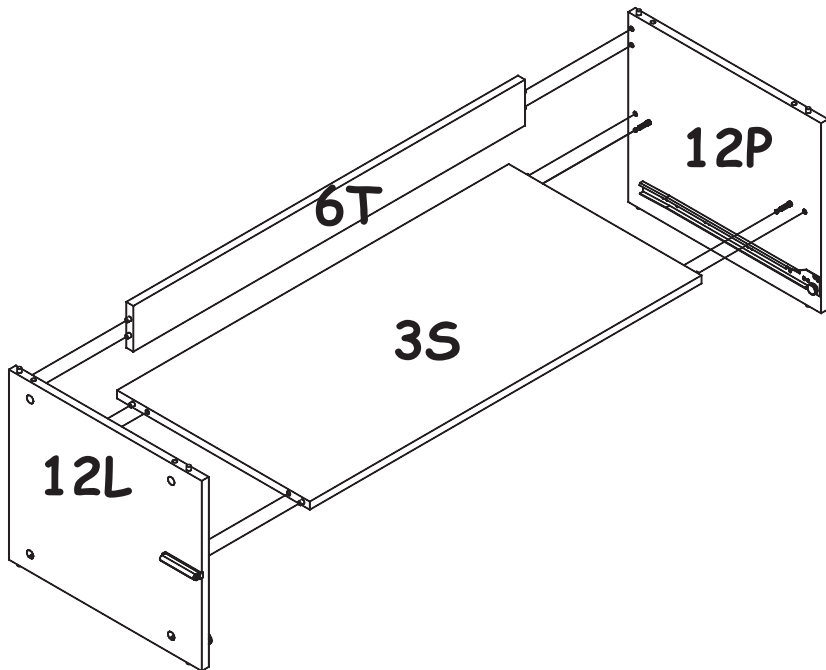
ABW ONTARIO II
RTV ONTARIO II
TYPE-32

24....02

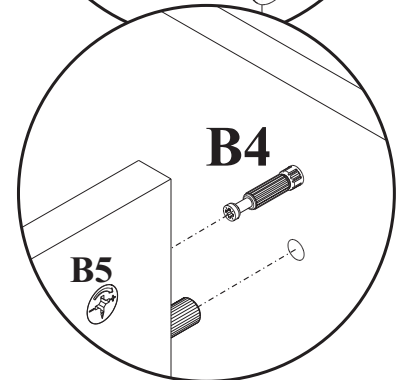
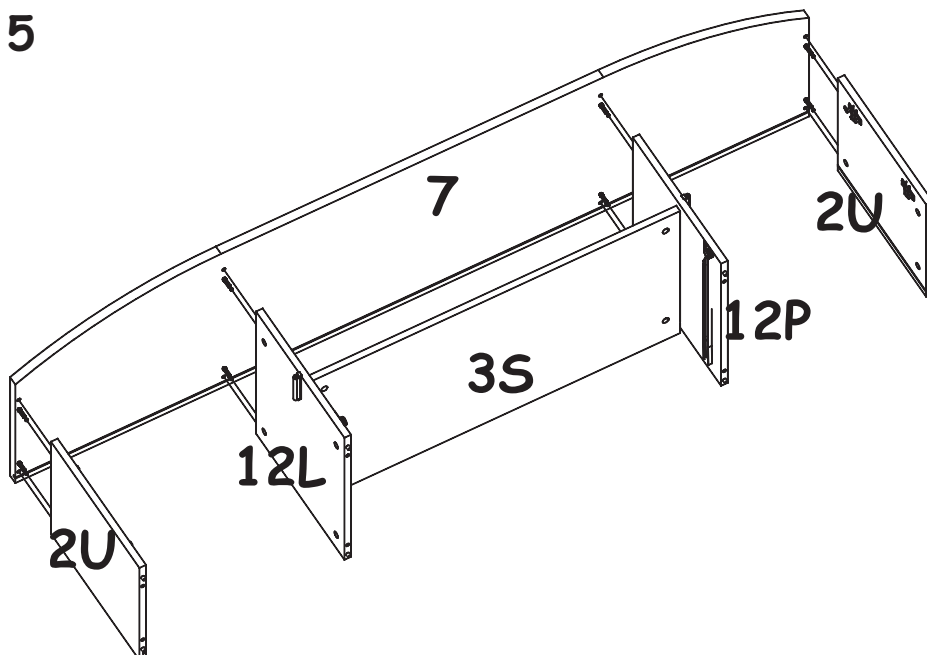
3

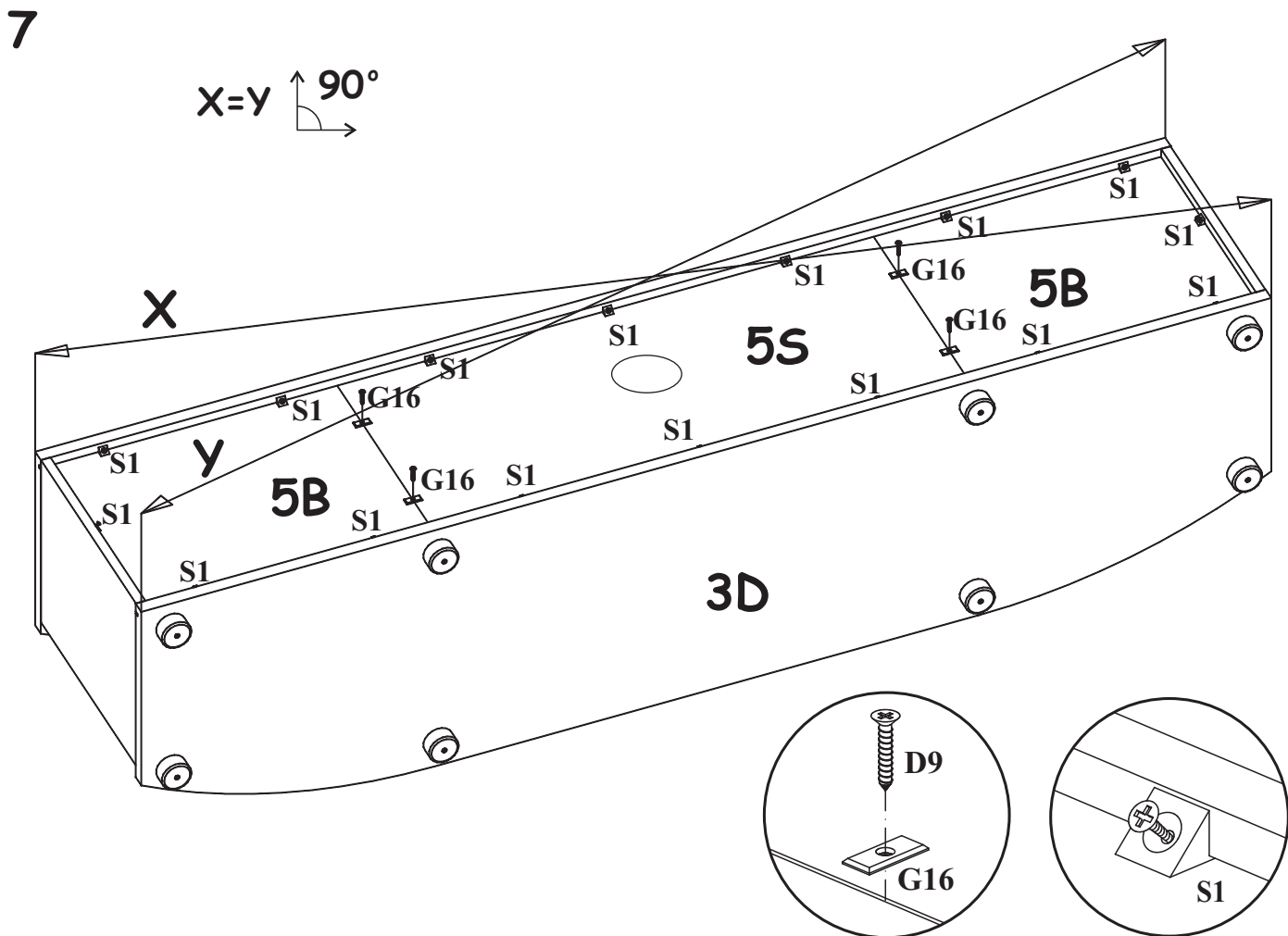
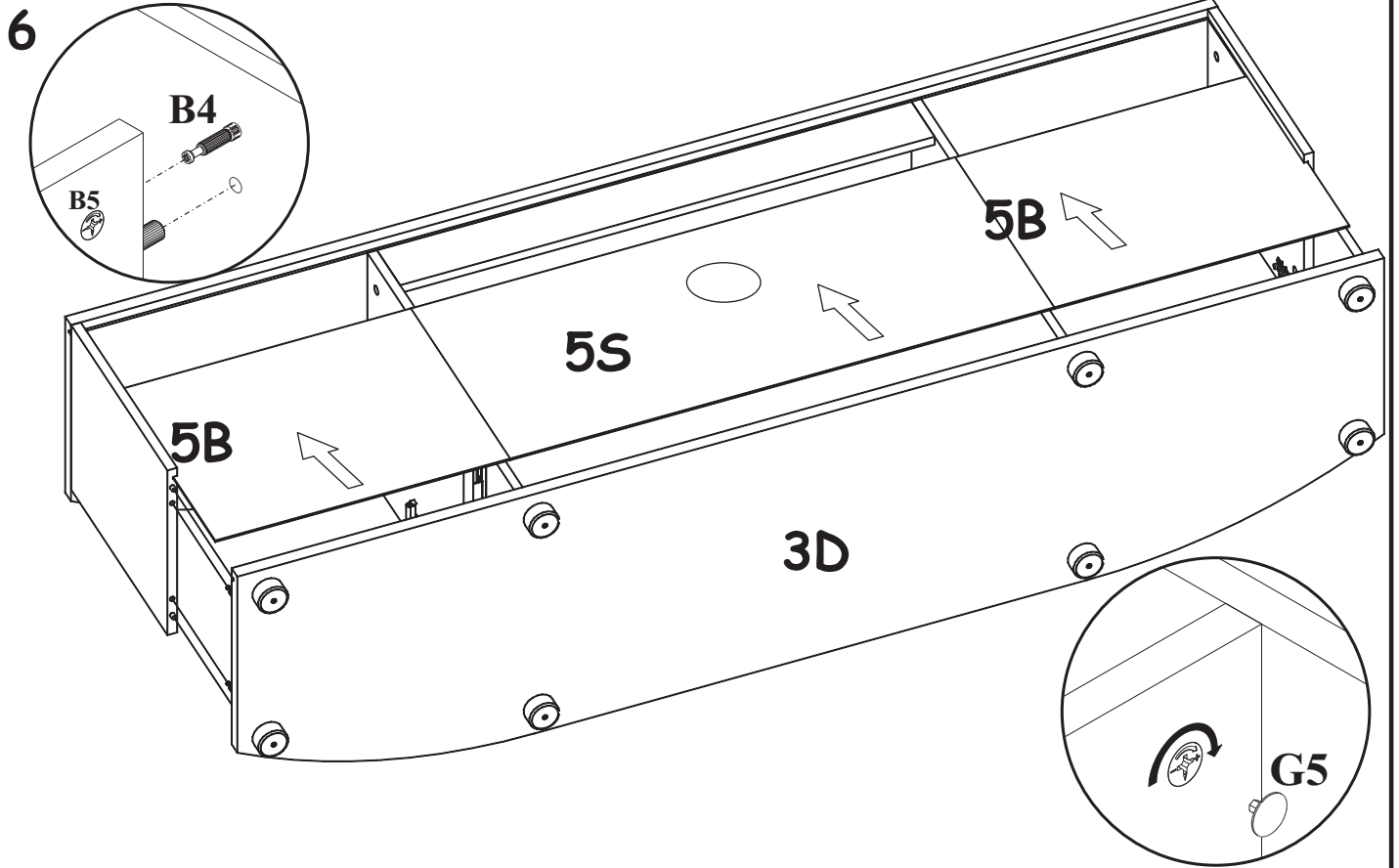


4



5



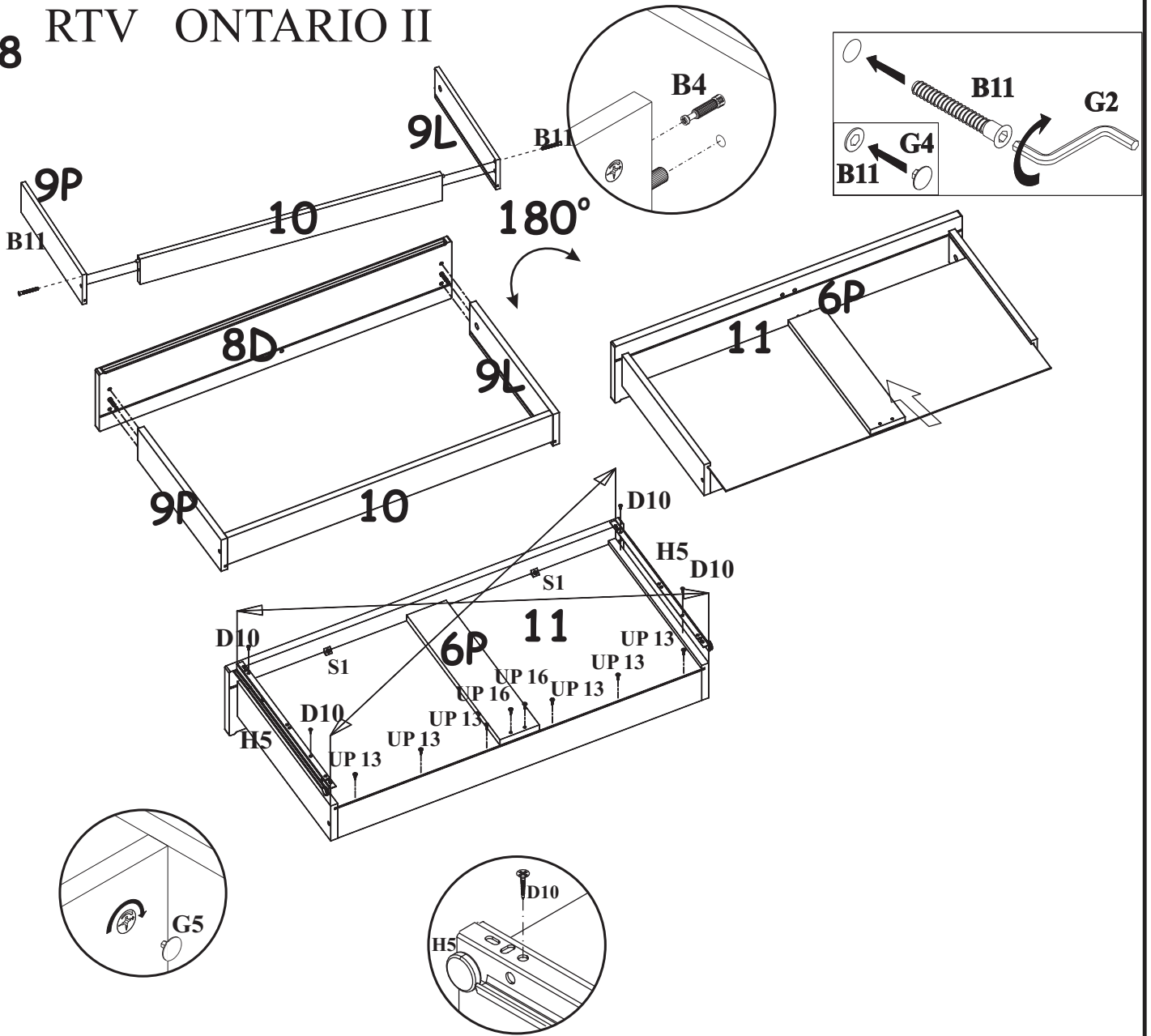


ABW ONTARIO II
RTV ONTARIO II

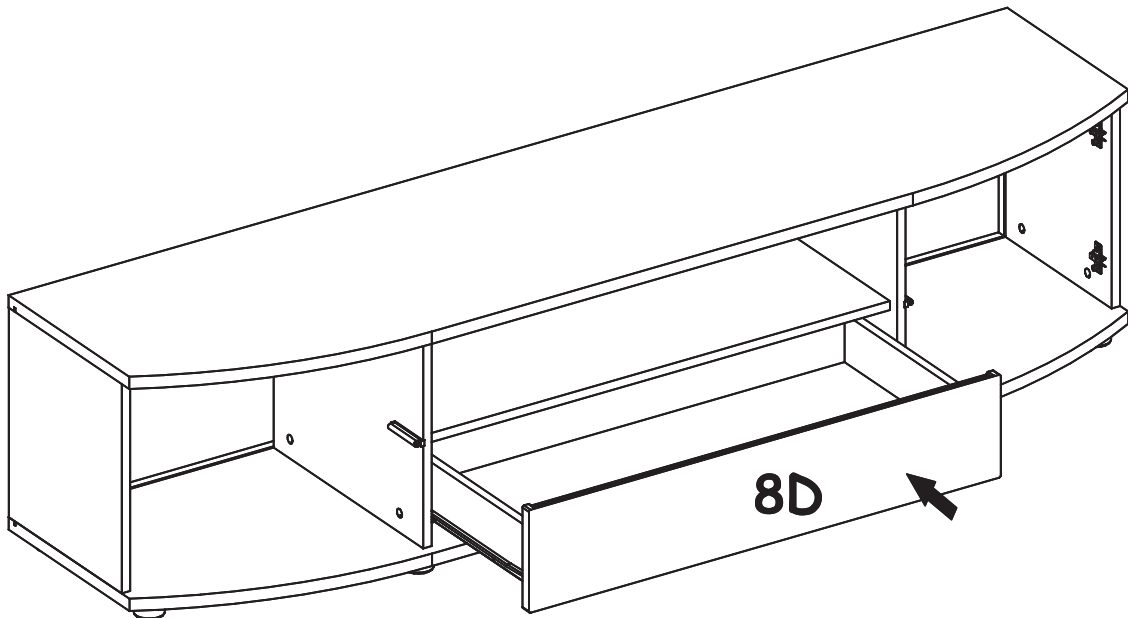
TYPE-32

24...O2

8



9



10

