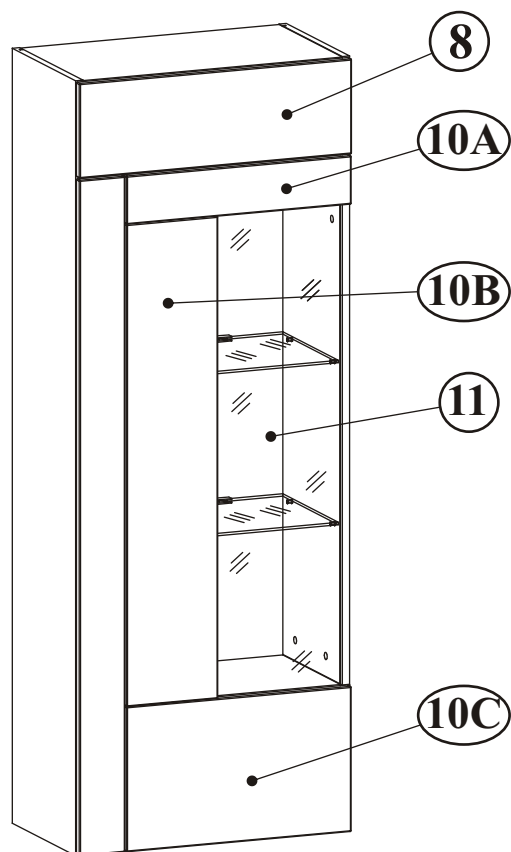
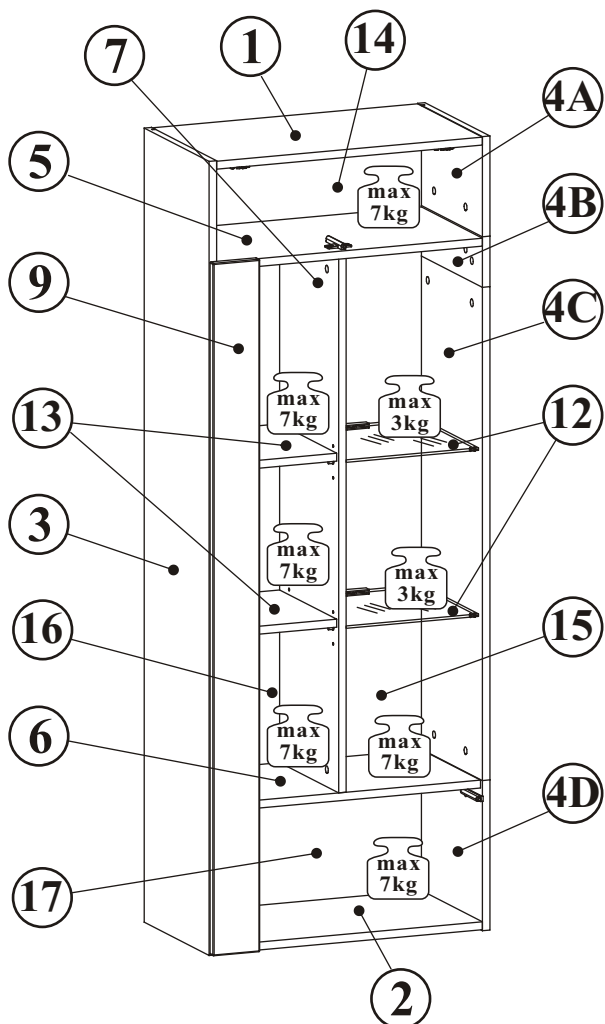
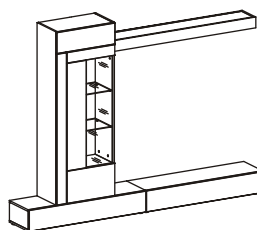
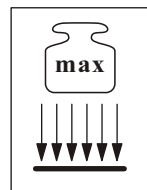
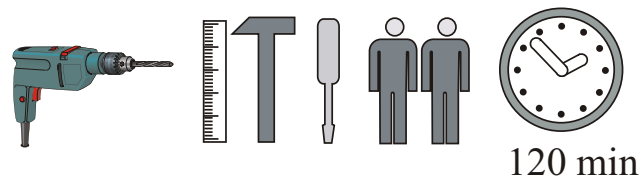


REBEL 20_RB TYP 10



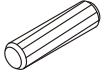
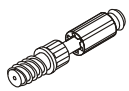


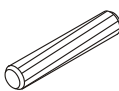


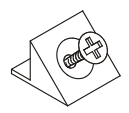
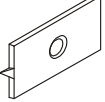
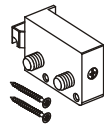
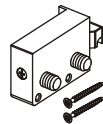

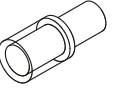
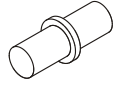
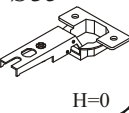
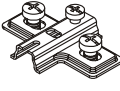
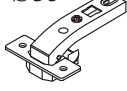
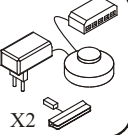

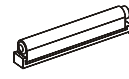

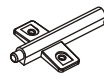
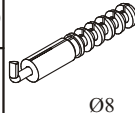

NO	Dim.			Col-No	Qty
1	568	330	16	1	1
2	568	330	16	1	1
4A	202	330	16	1	1
4B	102	330	16	1	1
4D	303	330	16	1	1
5	568	310	16	1	1
6	568	300	16	1	1
8	596	196	16	1	1
10A	492	100	16	1	1
10C	492	300	16	1	1
12	286	290	5	1	2
13	265	290	16	1	2
14	580	202	3	1	1
17	580	282	3	1	1

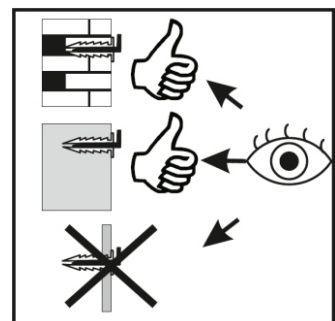
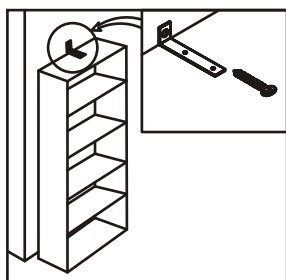
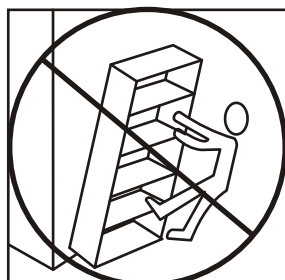
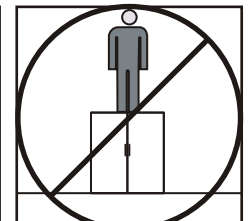
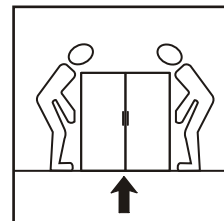
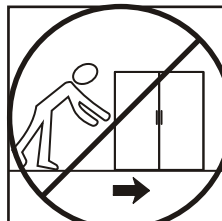
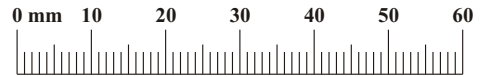


120 min

NO	Dim.			Col-No	Qty
3	1602	330	16	2	1
4C	995	330	16	2	1
7	1079	300	16	2	1
9	1397	100	16	2	1
10B	997	200	16	2	1
11	1047	300	4	2	1
15	1095	301	3	2	1
16	1095	279	3	2	1

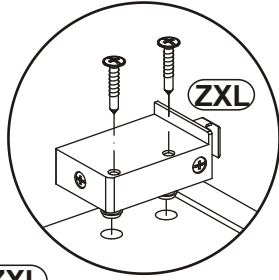
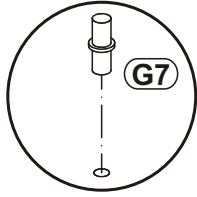
REBEL 20_RB TYP-10

A1 x27  ø8x36	B4 x27 	B5 x47  ø15x12	G5 x47 	A6 x11  ø8x80	D10 x18  USØ3,5x13
UP13 x25  UPØ3x16	S1 x16 	G16 x18 	ZXL x1 	ZXP x1 	P2 x7 
G20 x8 	G7 x8 	E21 x2 Ø35  H=0	E2 x5  H=0	E13 x3 Ø35 	LED x1 x2 
B6 x10  Ø7x76	T1 x1 	SFD x1 	T3 x1 	KR3 x2  Ø8	G2 x1 

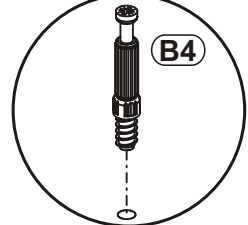
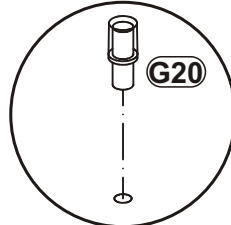
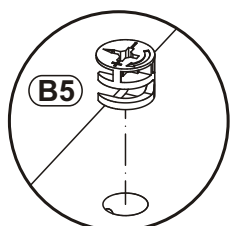
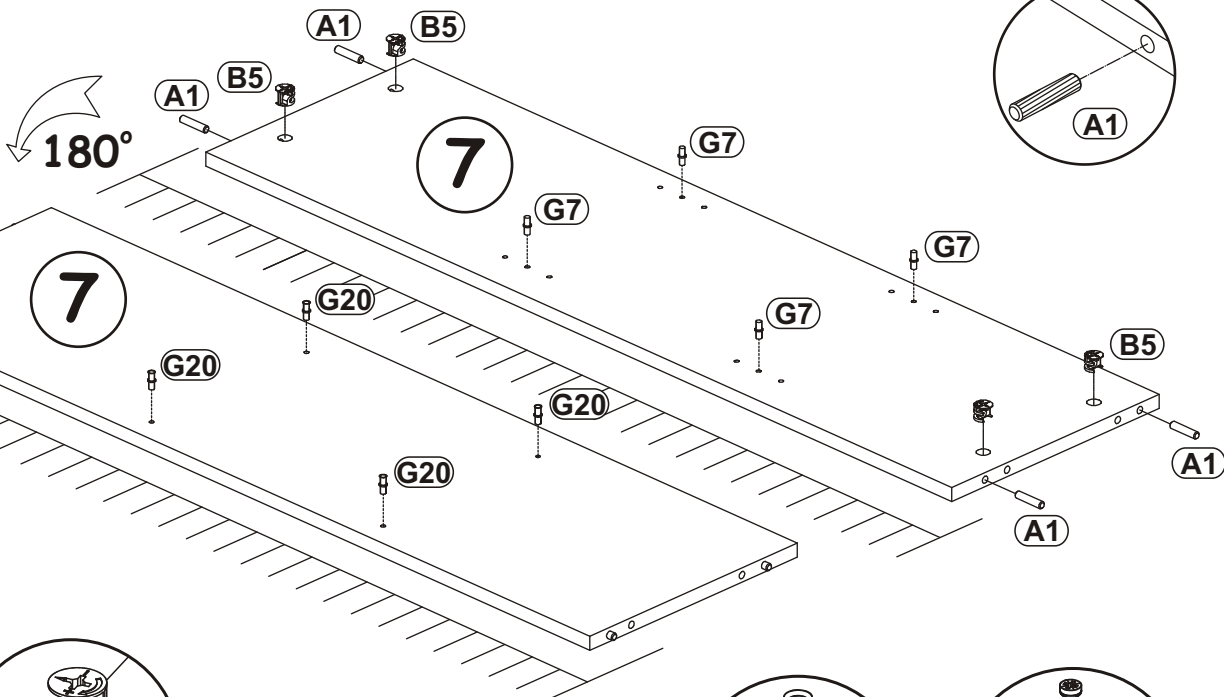
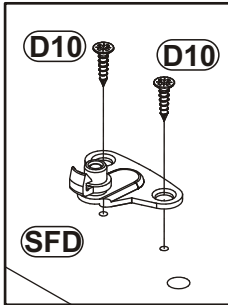
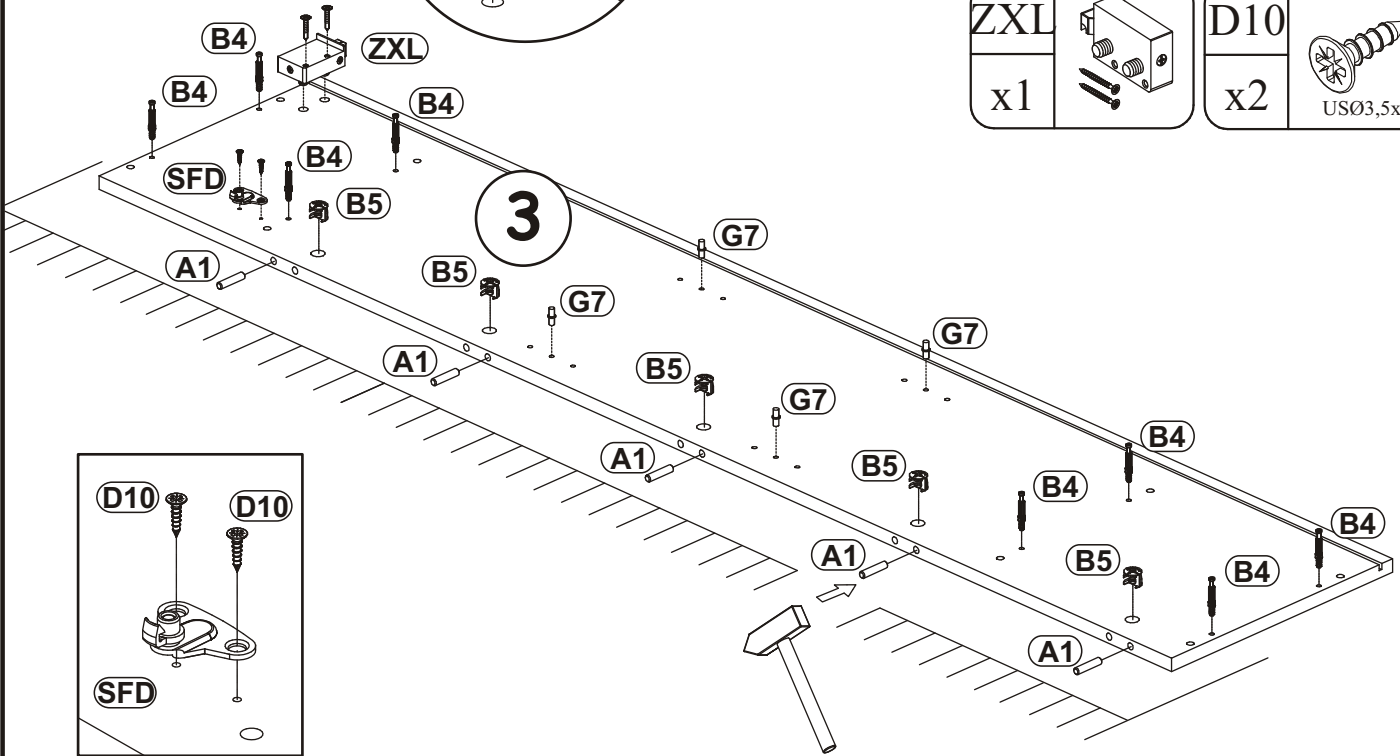


REBEL 20_RB TYP-10

1



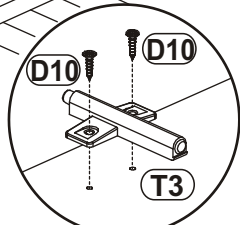
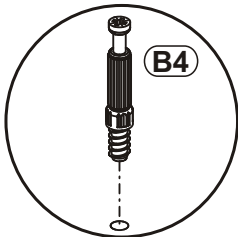
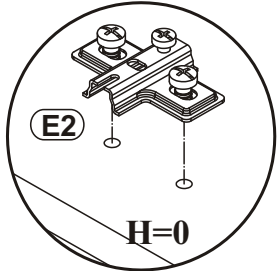
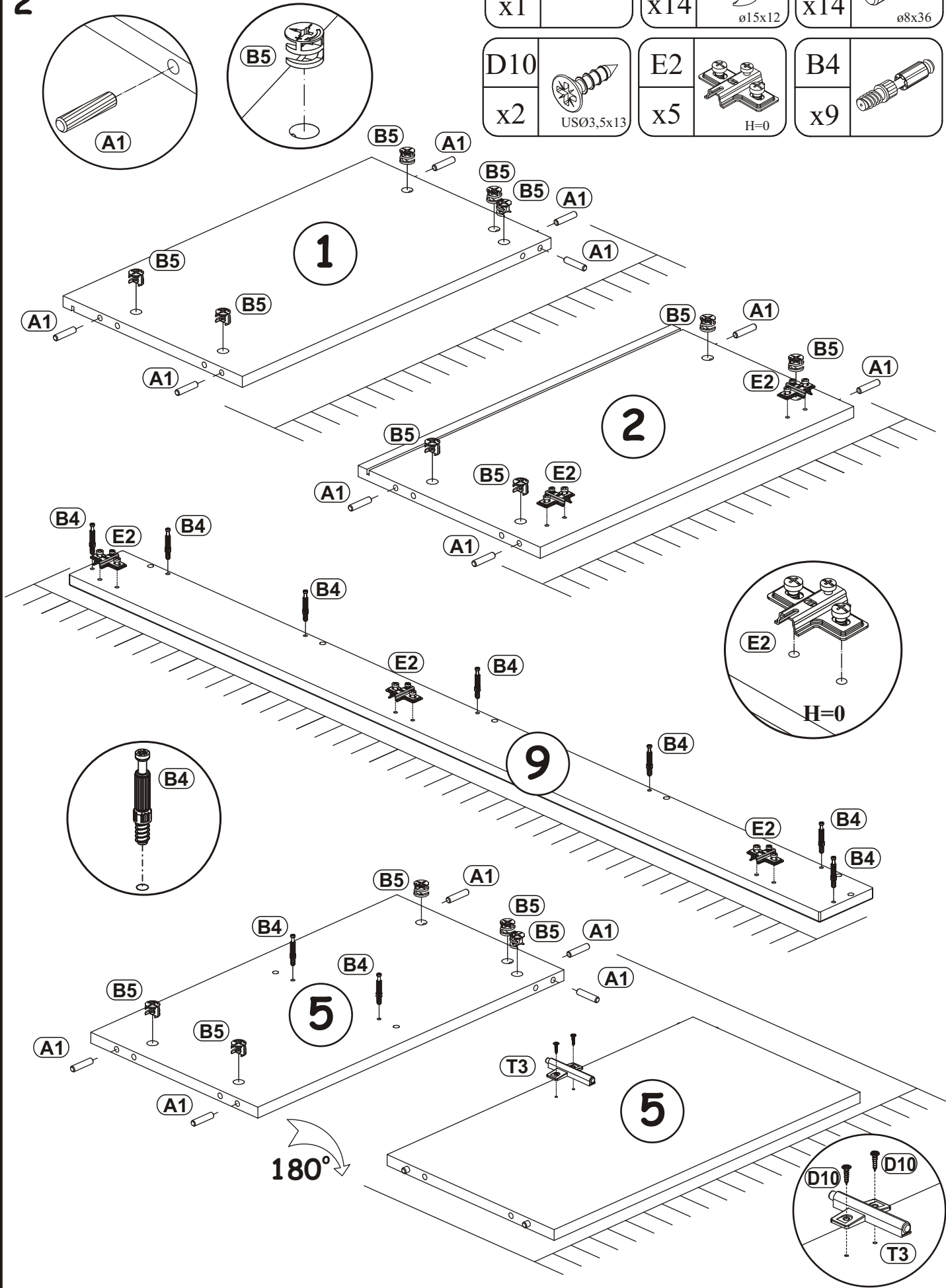
B4 x8		B5 x9		A1 x9	
SFD x1		G20 x4		G7 x8	
ZXL x1		D10 x2		USØ3,5x13 	



REBEL 20_RB TYP-10

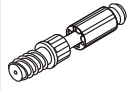

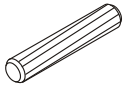
T3 x1		B5 x14	 ø15x12	A1 x14	 ø8x36
D10 x2	 USØ3,5x13	E2 x5	 H=0	B4 x9	

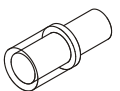
2

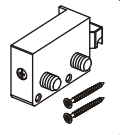


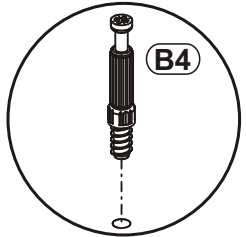
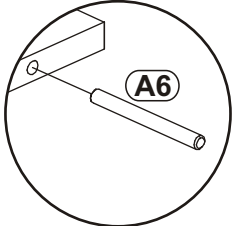
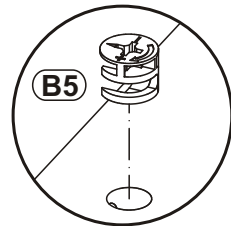
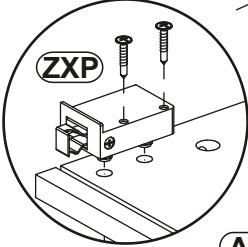
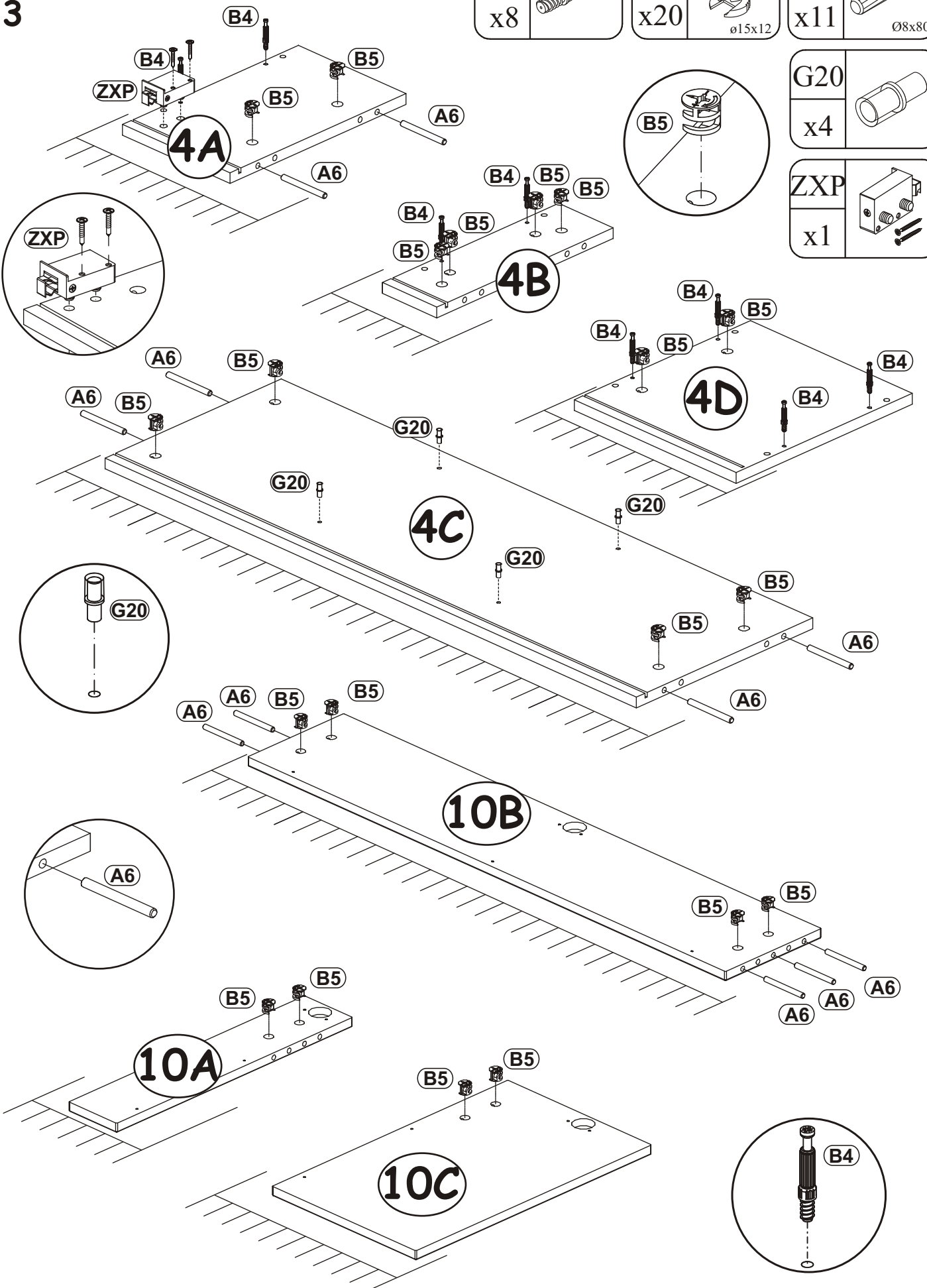
REBEL 20_RB TYP-10

3

B4 x8		B5 x20		A6 x11	
		ø15x12		Ø8x80	

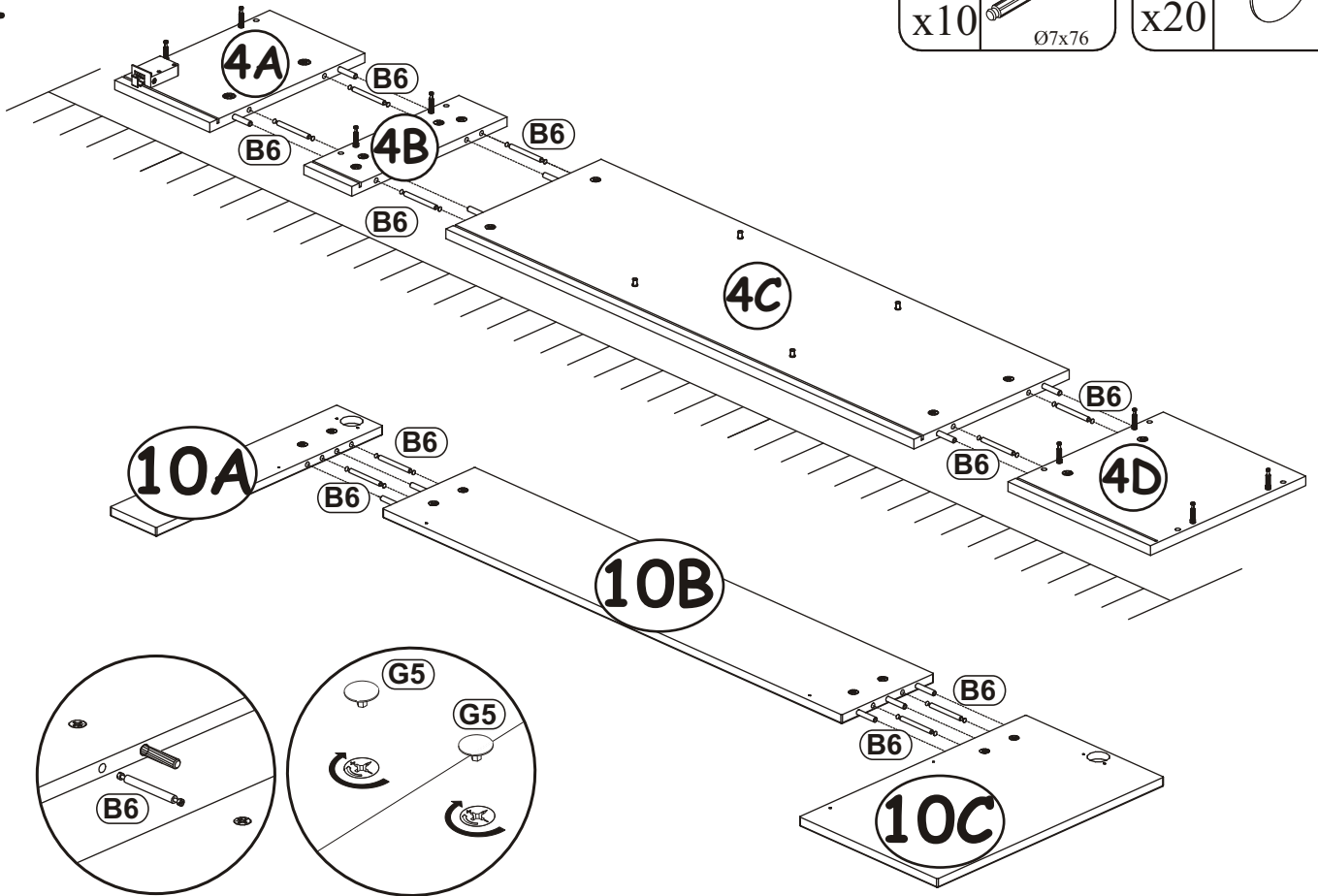
G20 x4	
-----------	---

ZXP x1	
-----------	---

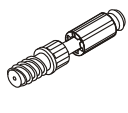

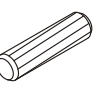


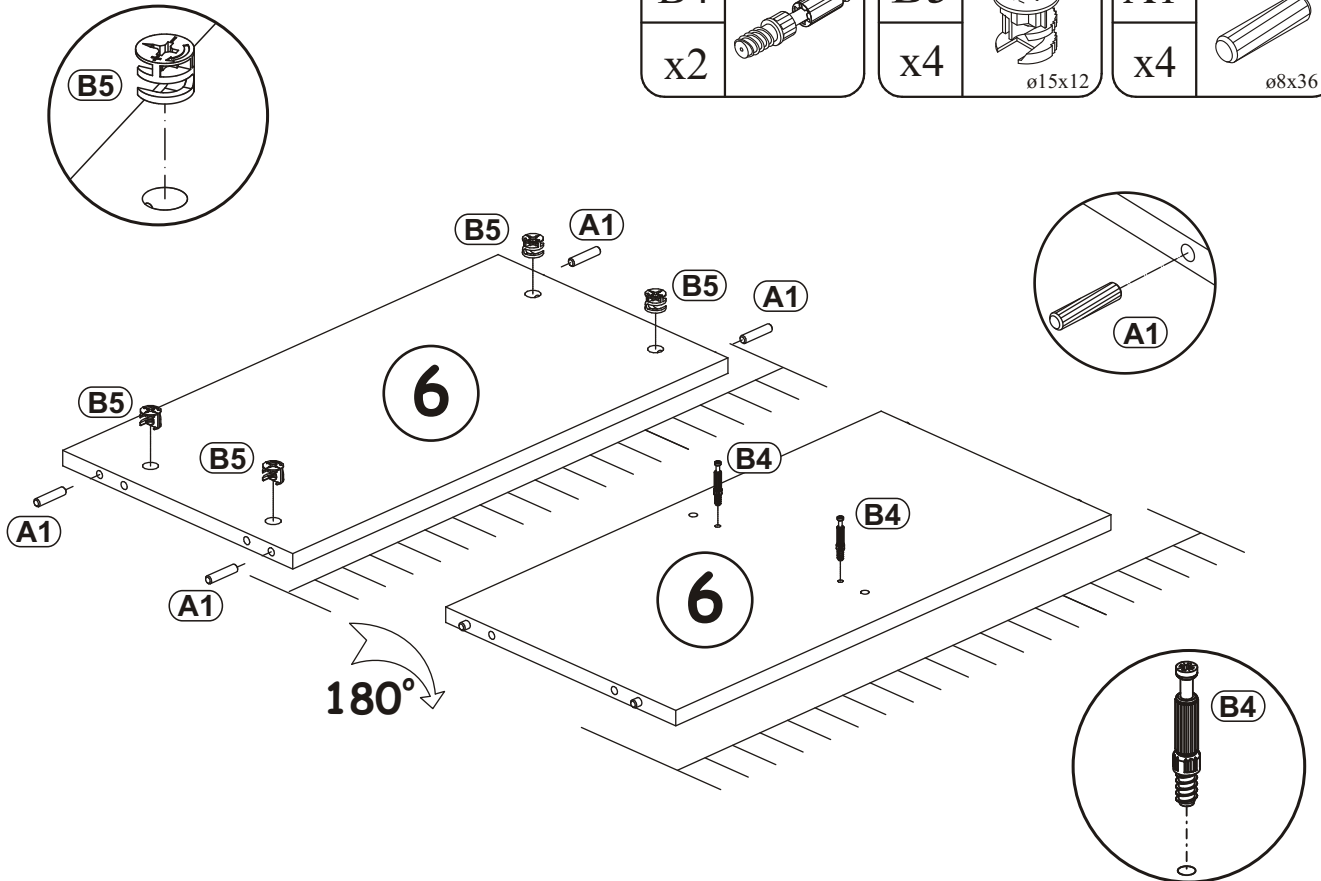
4

B6		G5	
x10	Ø7x76	x20	



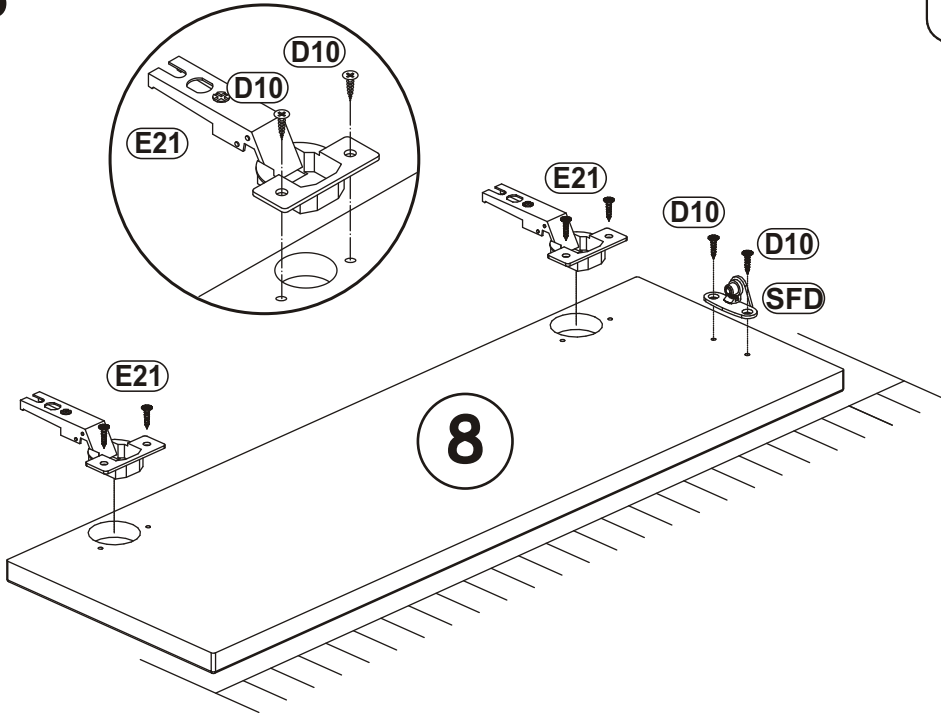
5

B4		B5		A1	
x2		x4	Ø15x12	x4	Ø8x36

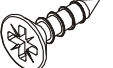




REBEL 20_RB TYP-10

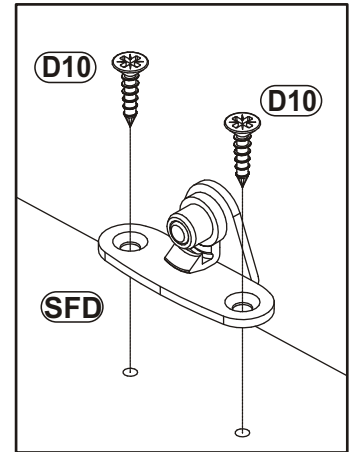
6



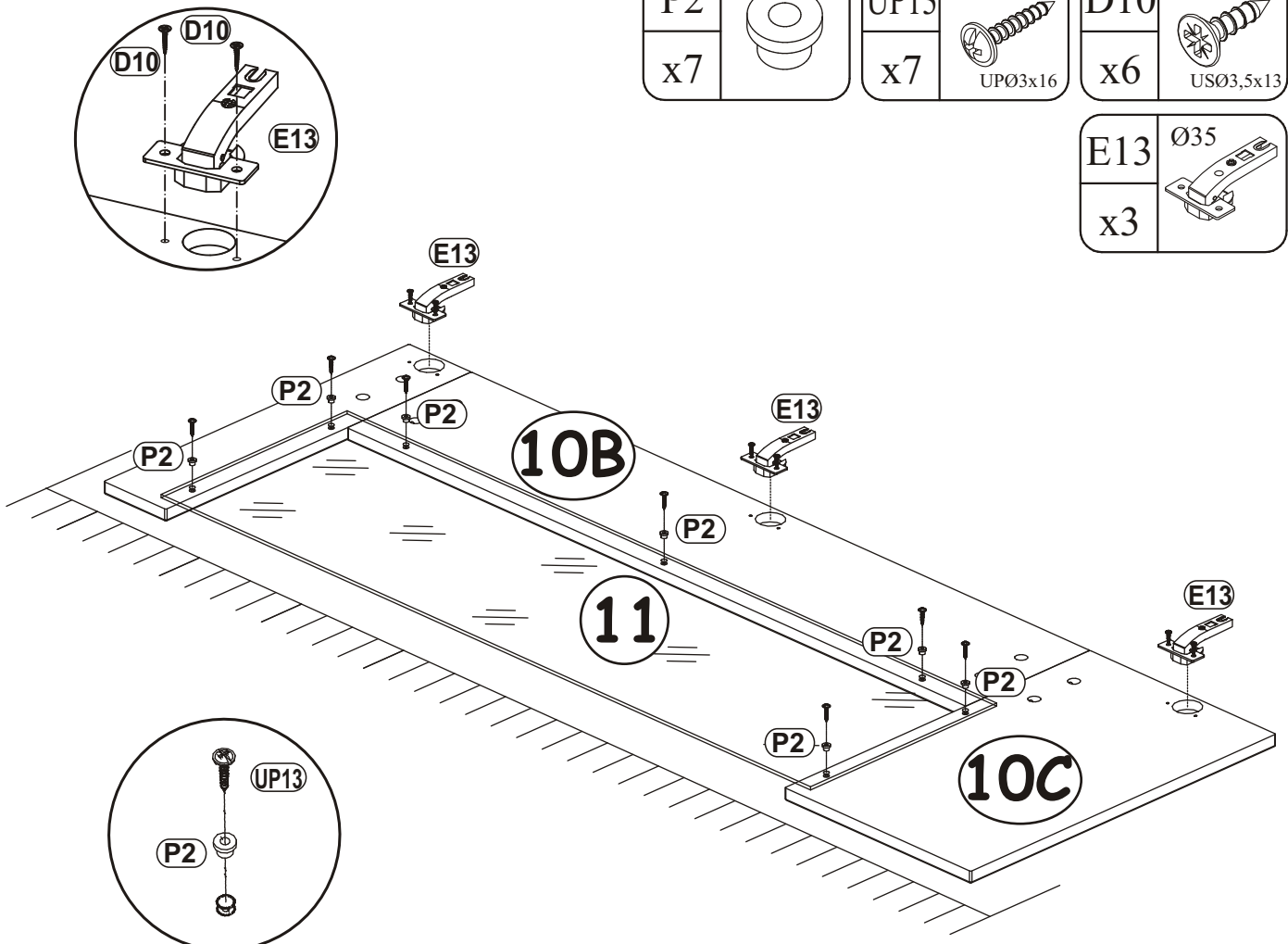
E21	Ø35
x2	H=0


D10	
x6	USØ3,5x13


SFD	
x1	

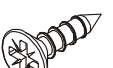


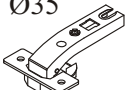
7

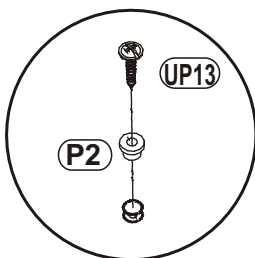


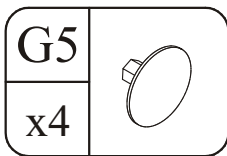
P2	
x7	

UP13	
x7	UPØ3x16

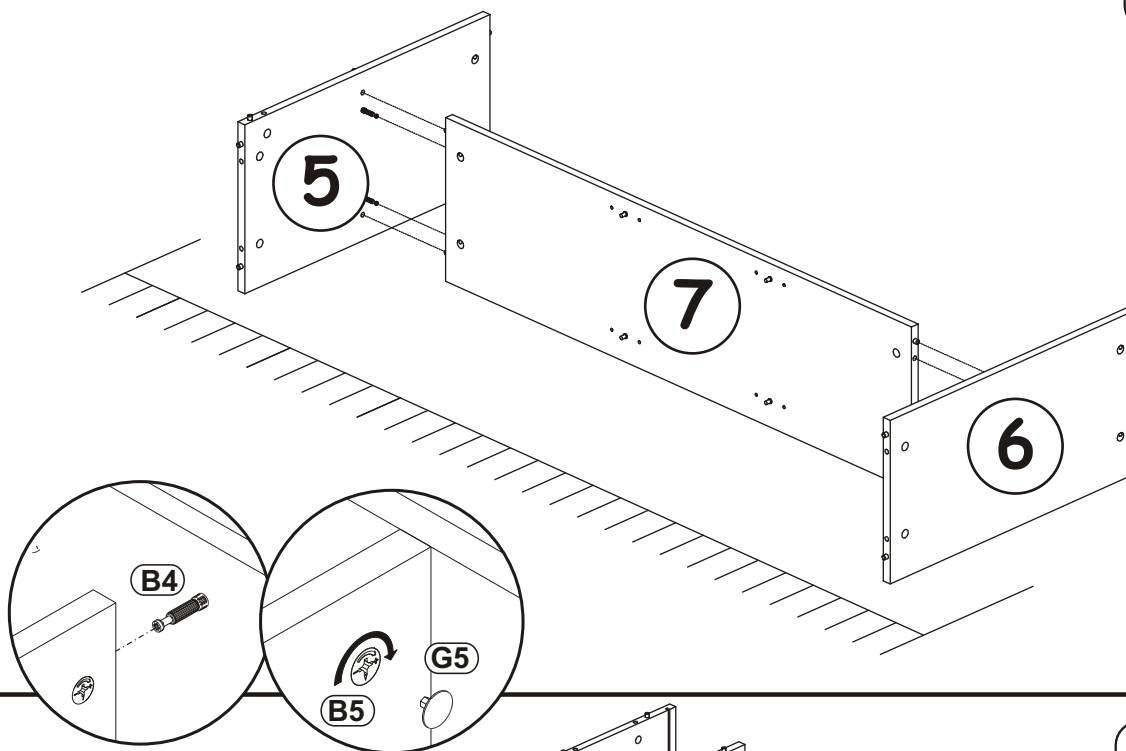
D10	
x6	USØ3,5x13

E13	Ø35
x3	

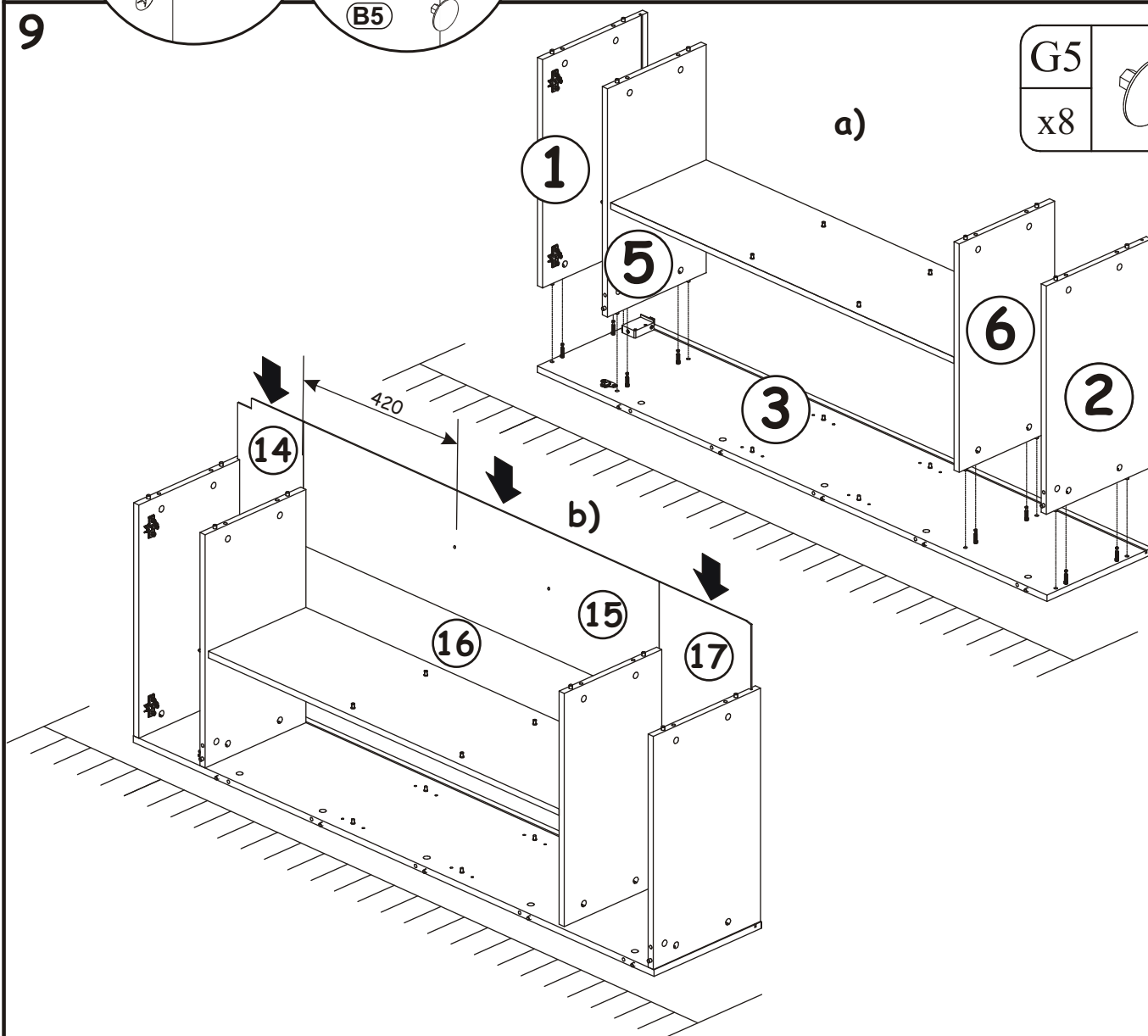





8

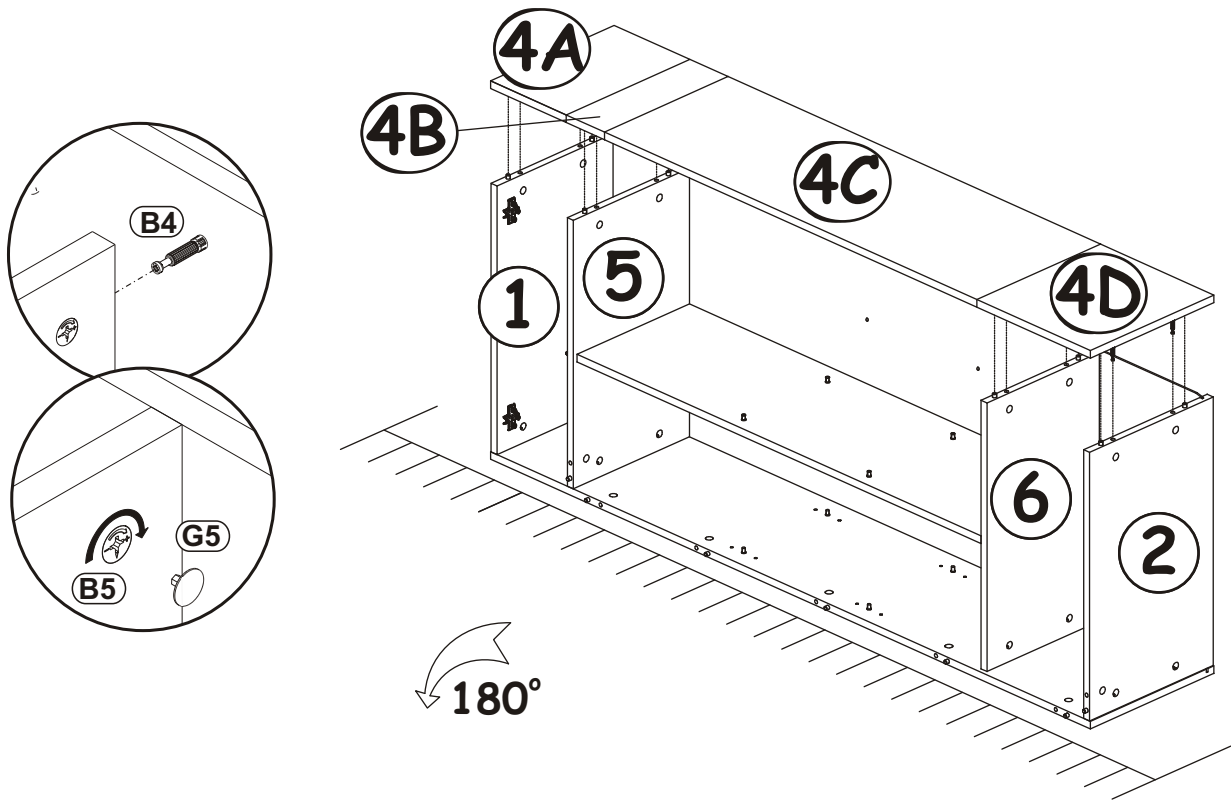


9

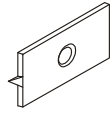



10

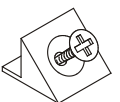
G5	
x8	

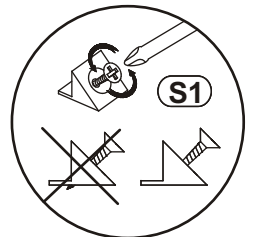
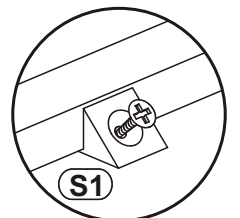
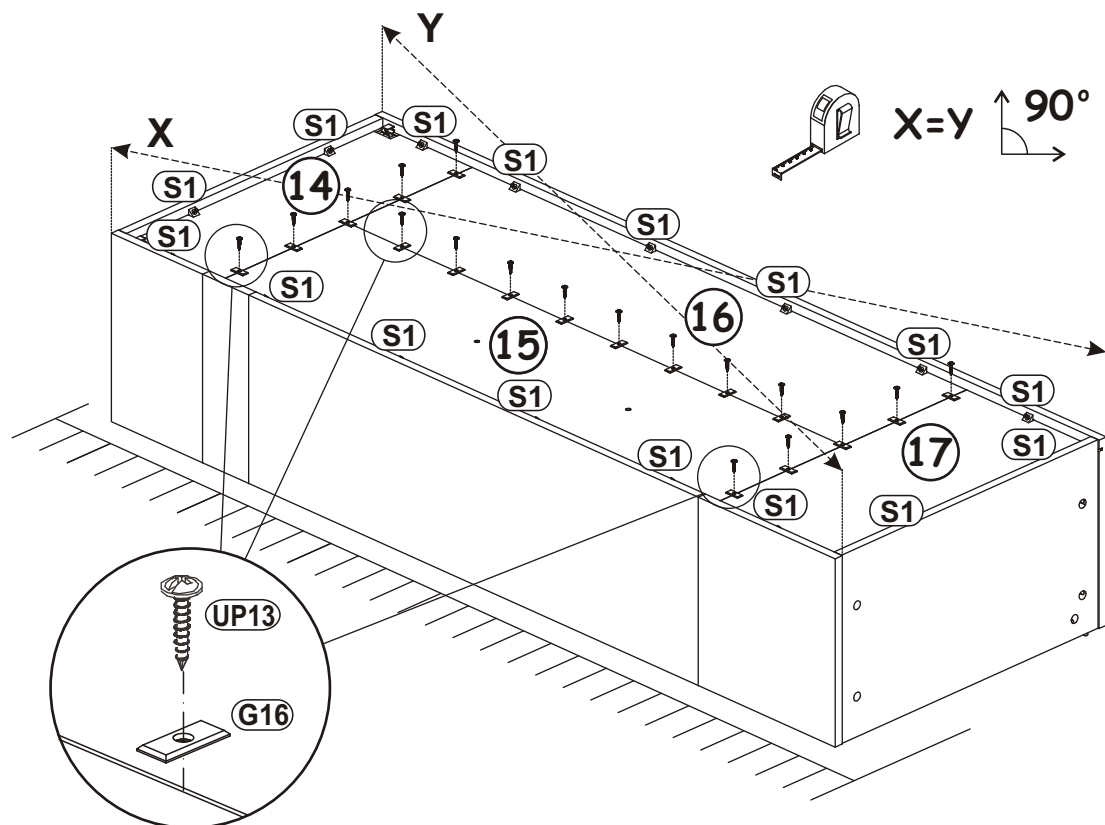


11

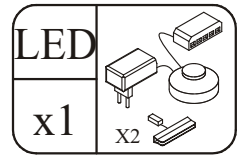
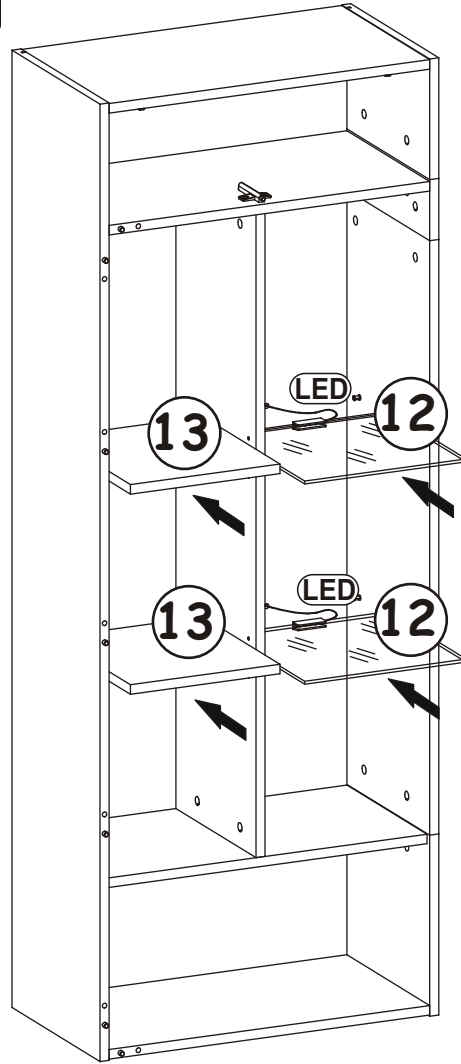
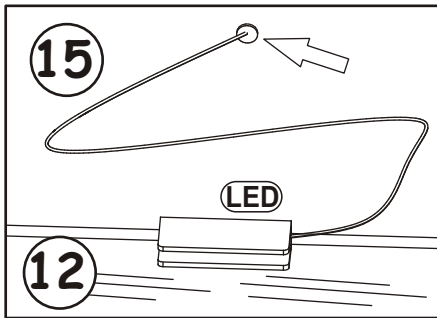
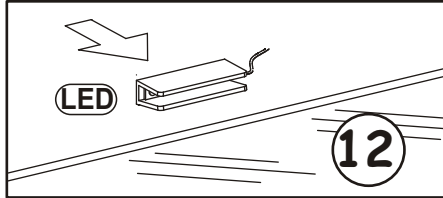
G16	
x18	

UP13	
x18	UP03x16

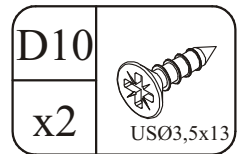
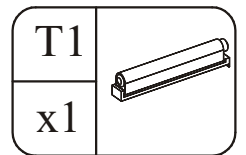
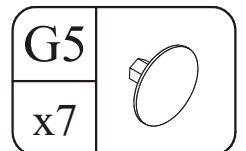
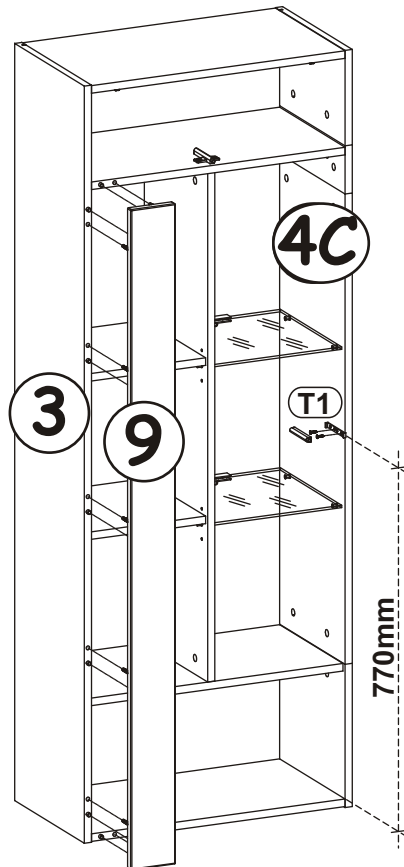
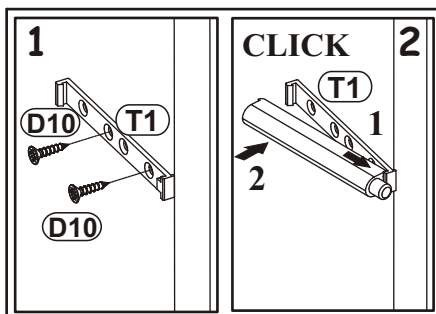
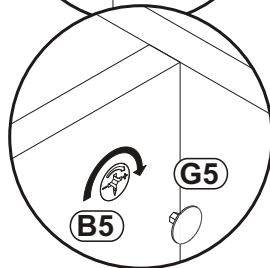
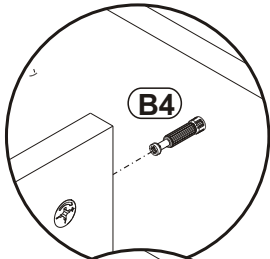
S1	
x16	



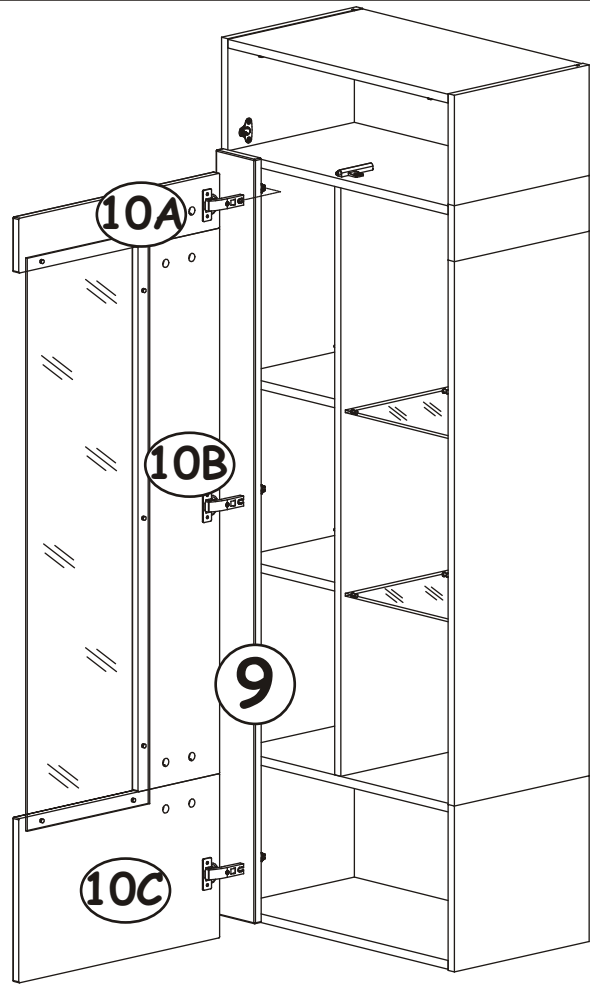
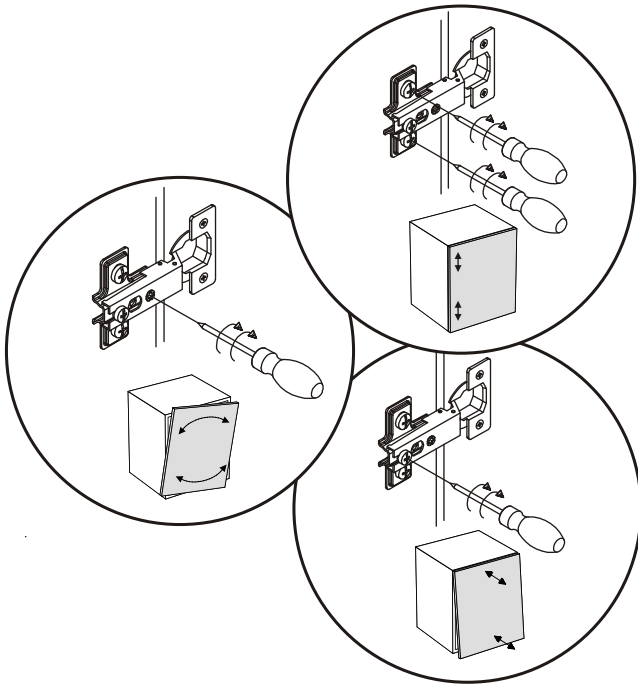
12



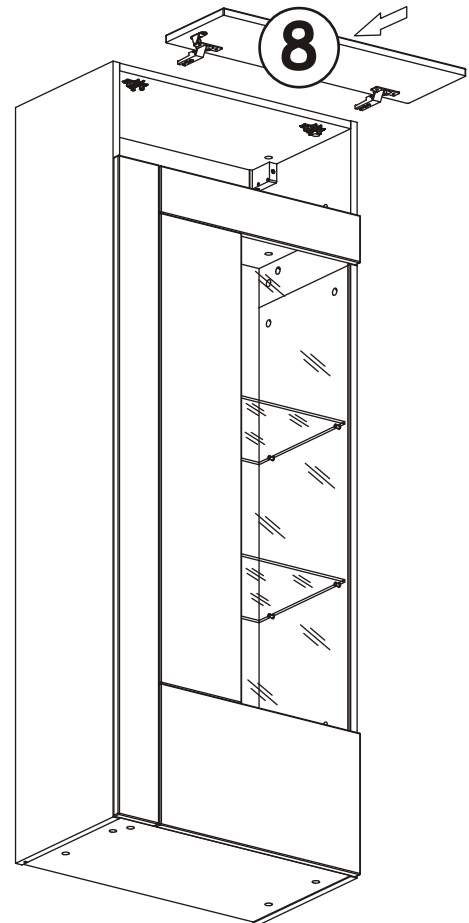
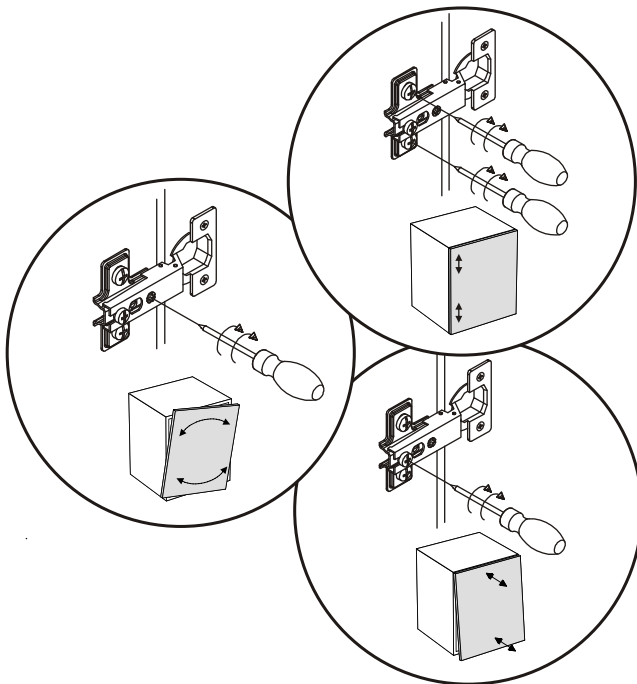
13



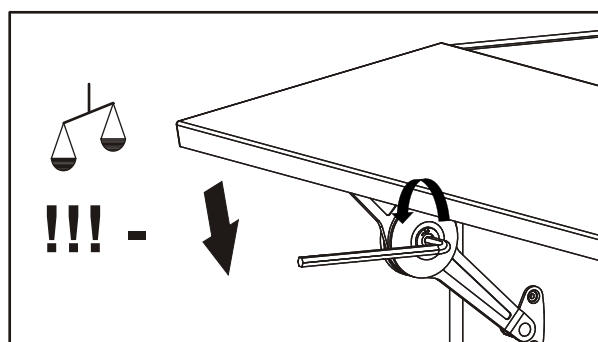
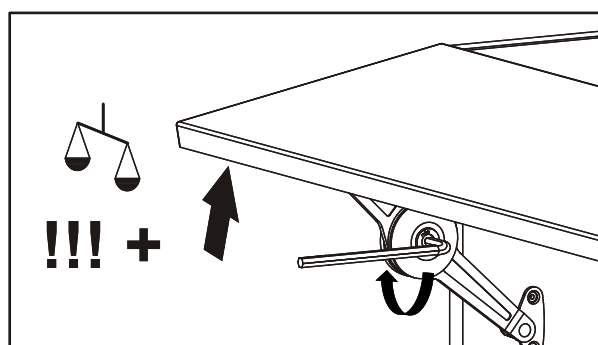
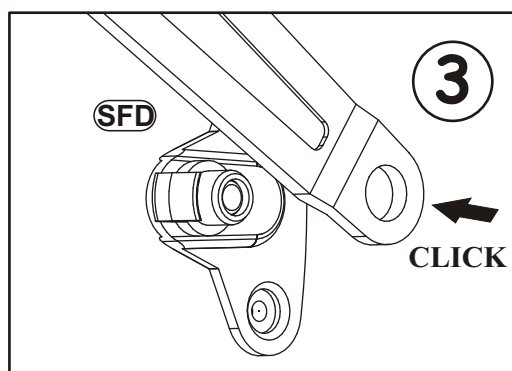
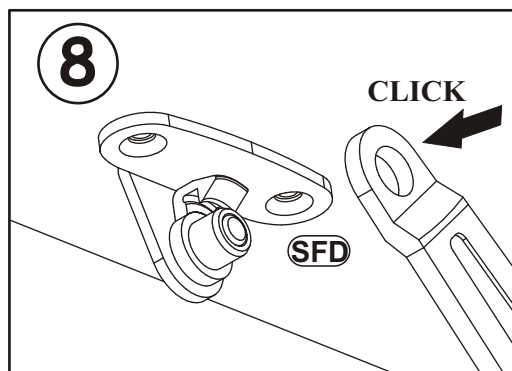
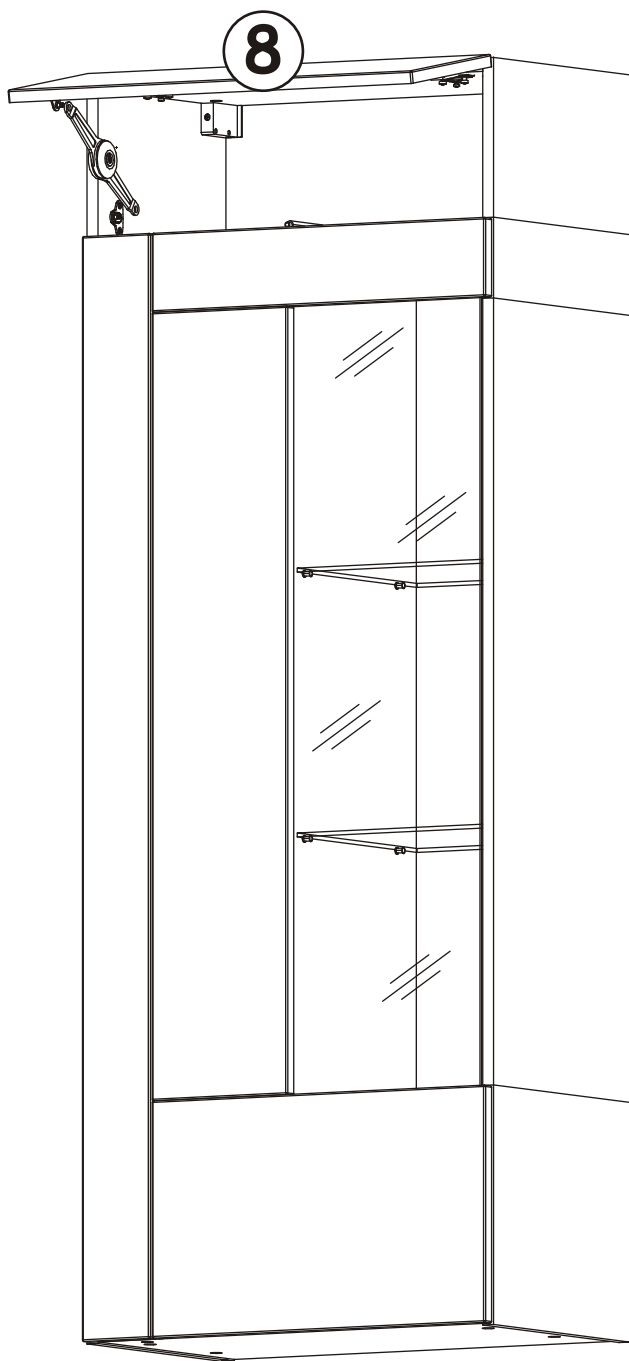
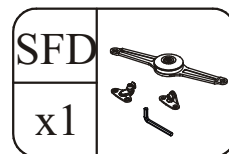
14



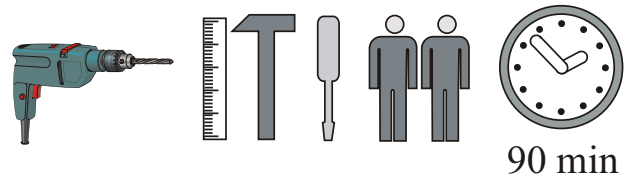
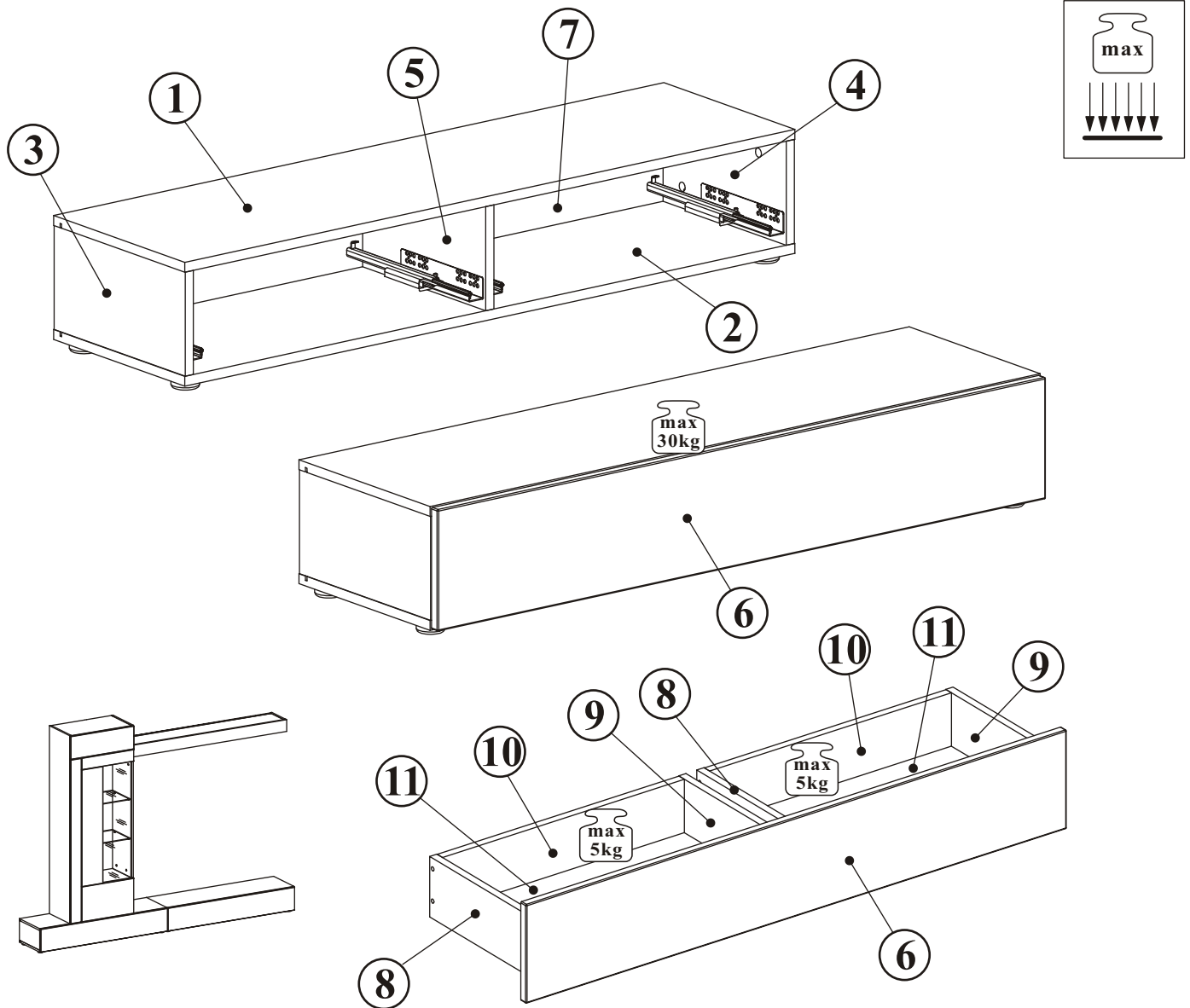
15



16



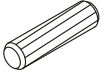
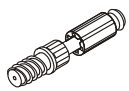





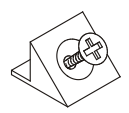



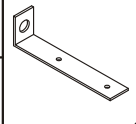
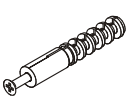

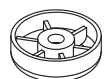

REBEL 20_RB TYP 30

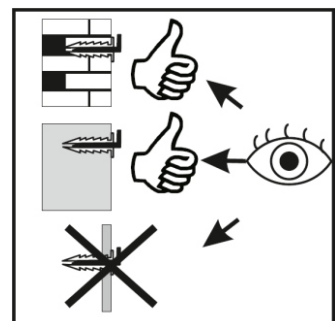
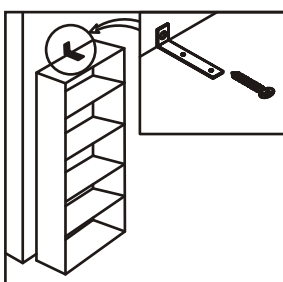
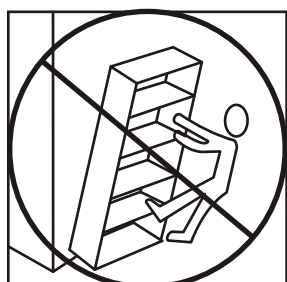
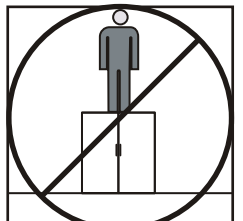
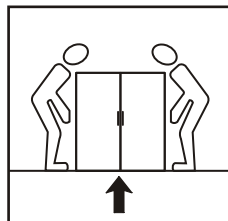
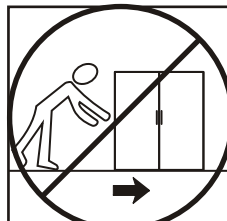
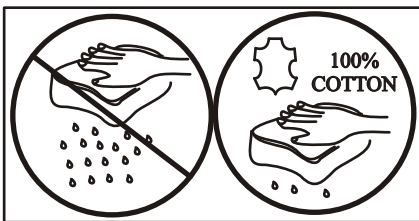
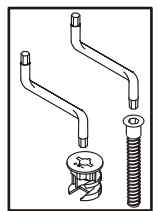
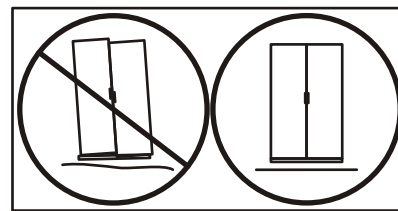
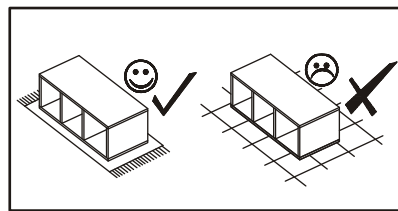
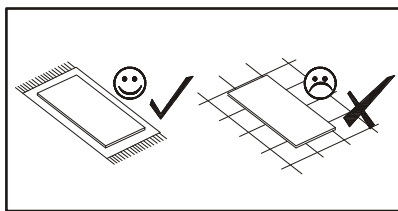
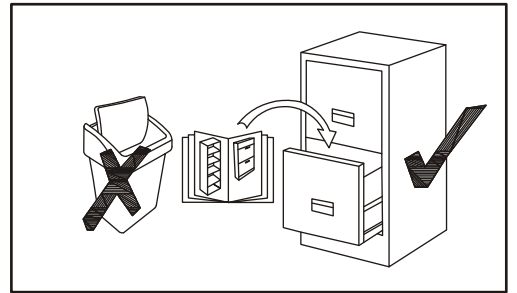
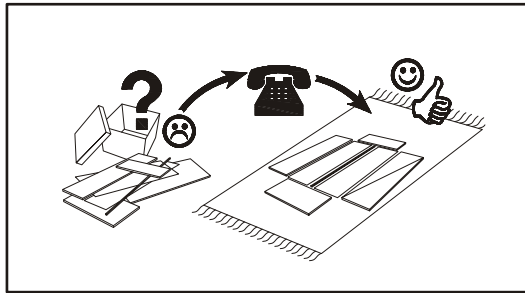
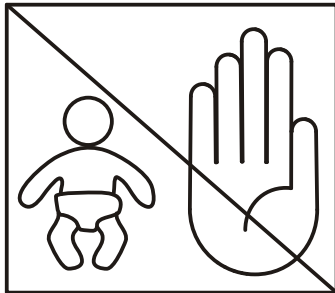
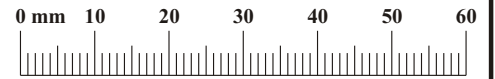



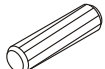
NO	Dim.			Col-No	Qty
1	1200	330	16	3	1
2	1200	330	16	3	1
3	168	330	16	3	1
4	168	330	16	3	1
5	168	310	16	3	1
6	1196	196	16	3	1
7	1178	180	3	3	1
8	300	120	16	3	2
9	300	120	16	3	2
10	535	106	16	3	2
11	304	547	3	3	2

NO	Dim.			Col-No	Qty
1	1200	330	16	4	1
2	1200	330	16	4	1
3	168	330	16	4	1
4	168	330	16	4	1
5	168	310	16	4	1
6	1196	196	16	4	1
7	1178	180	3	4	1
8	300	120	16	4	2
9	300	120	16	4	2
10	535	106	16	4	2
11	304	547	3	4	2

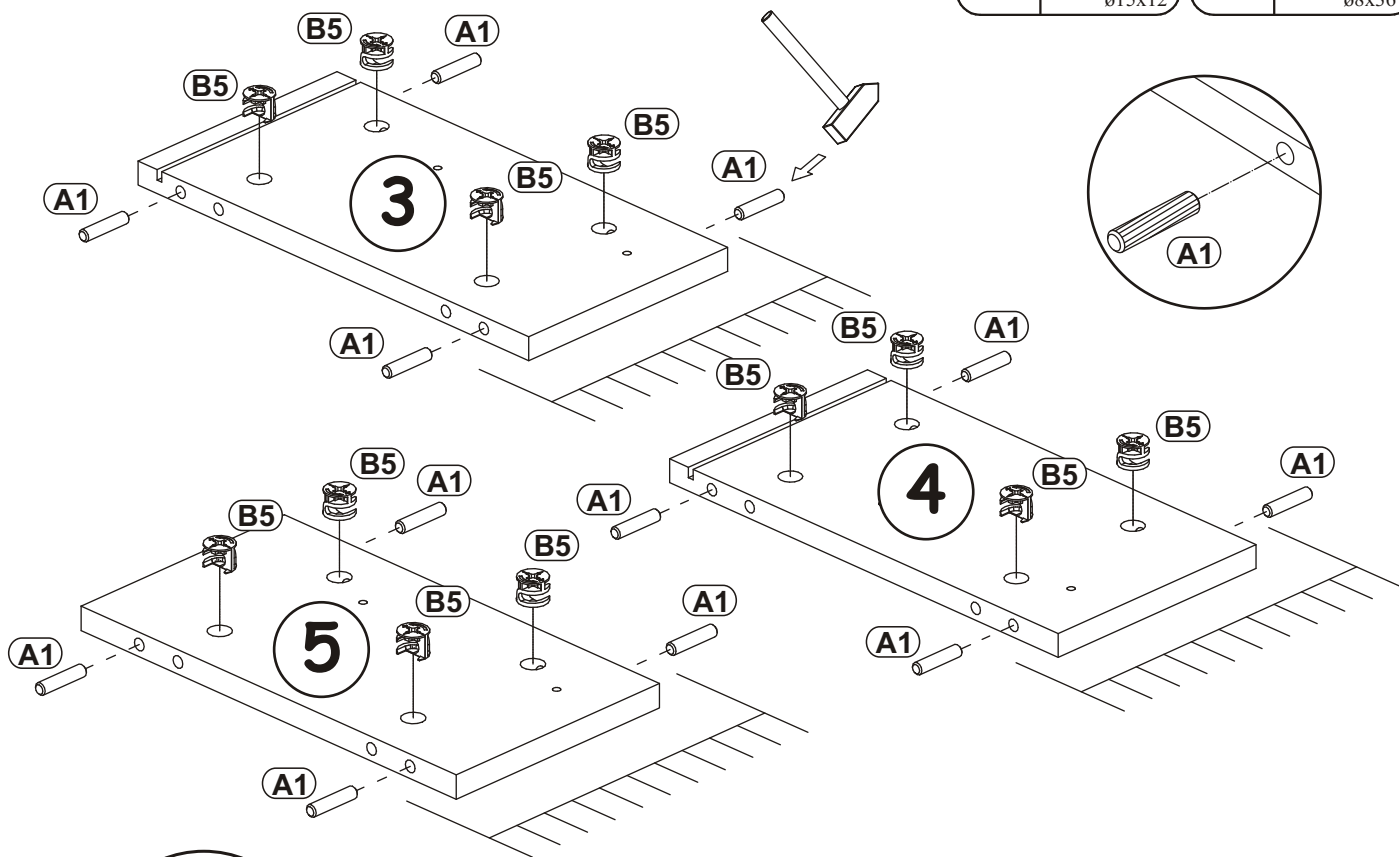
REBEL 20_RB TYP-30

A1 x20  ø8x36	B4 x16 	B5 x16  ø15x12	G5 x16 	B11 x8  Ø7x50	G4 x8 
UP13 x11  UPØ3x16	S1 x14 	QU x2  L-300	D20 x8  ESØ6,3x9,5	D10 x10  USØ3,5x13	L1 x1 
KR1 x1 	G2 x1 	I11 x5  Ø45, h=15	UP11 x5  UPØ4x20		

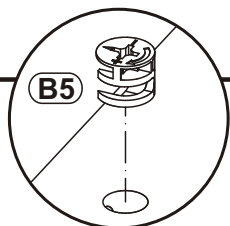


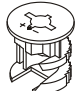
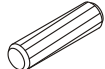
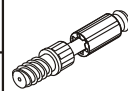
B5		A1	
x12	ø15x12	x12	ø8x36

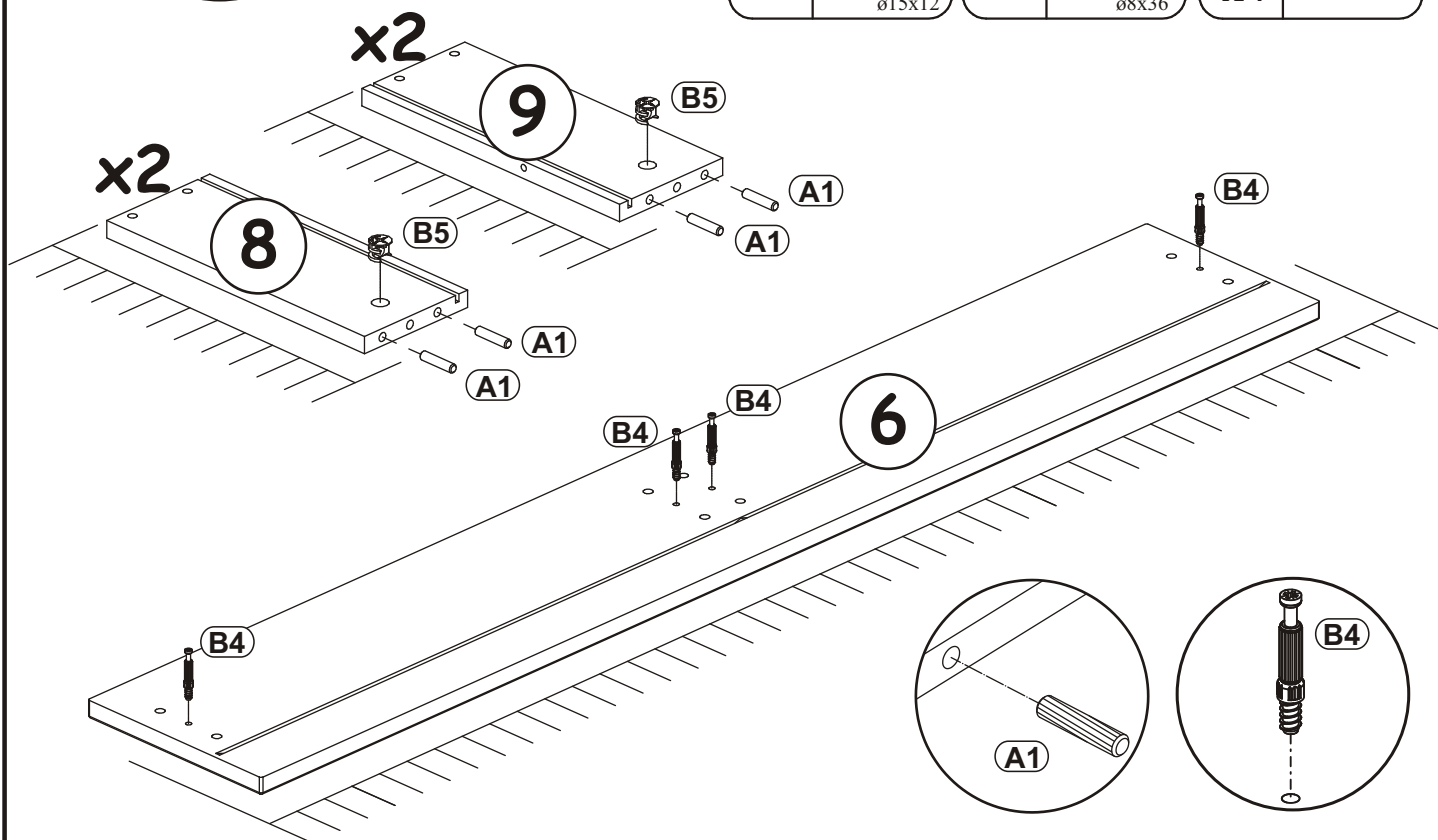
1



2

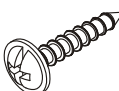


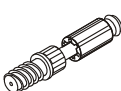
B5		A1		B4	
x4	ø15x12	x8	ø8x36	x4	

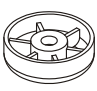


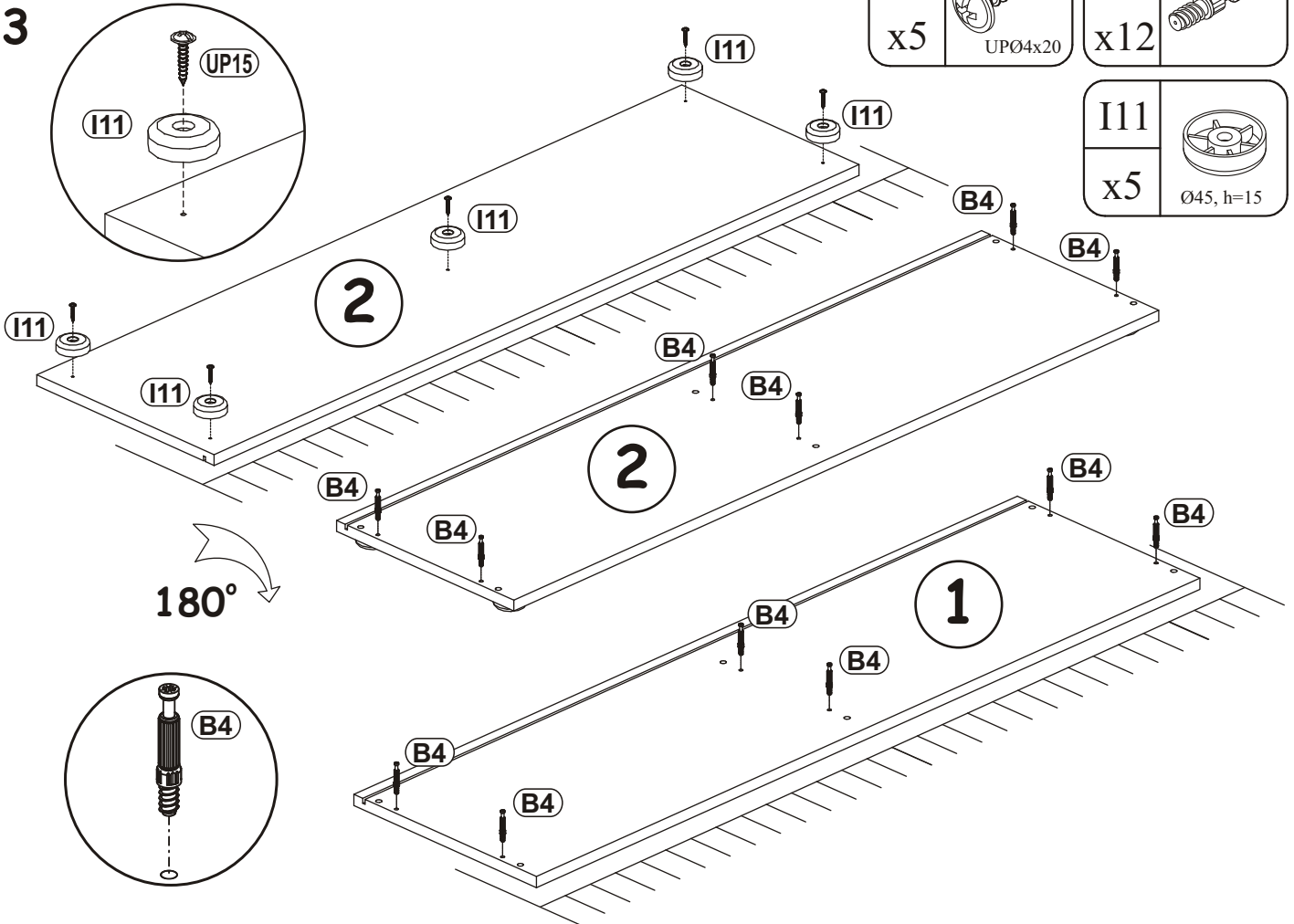
REBEL 20_RB TYP-30

3


UP11	
x5	UP04x20


B4	
x12	

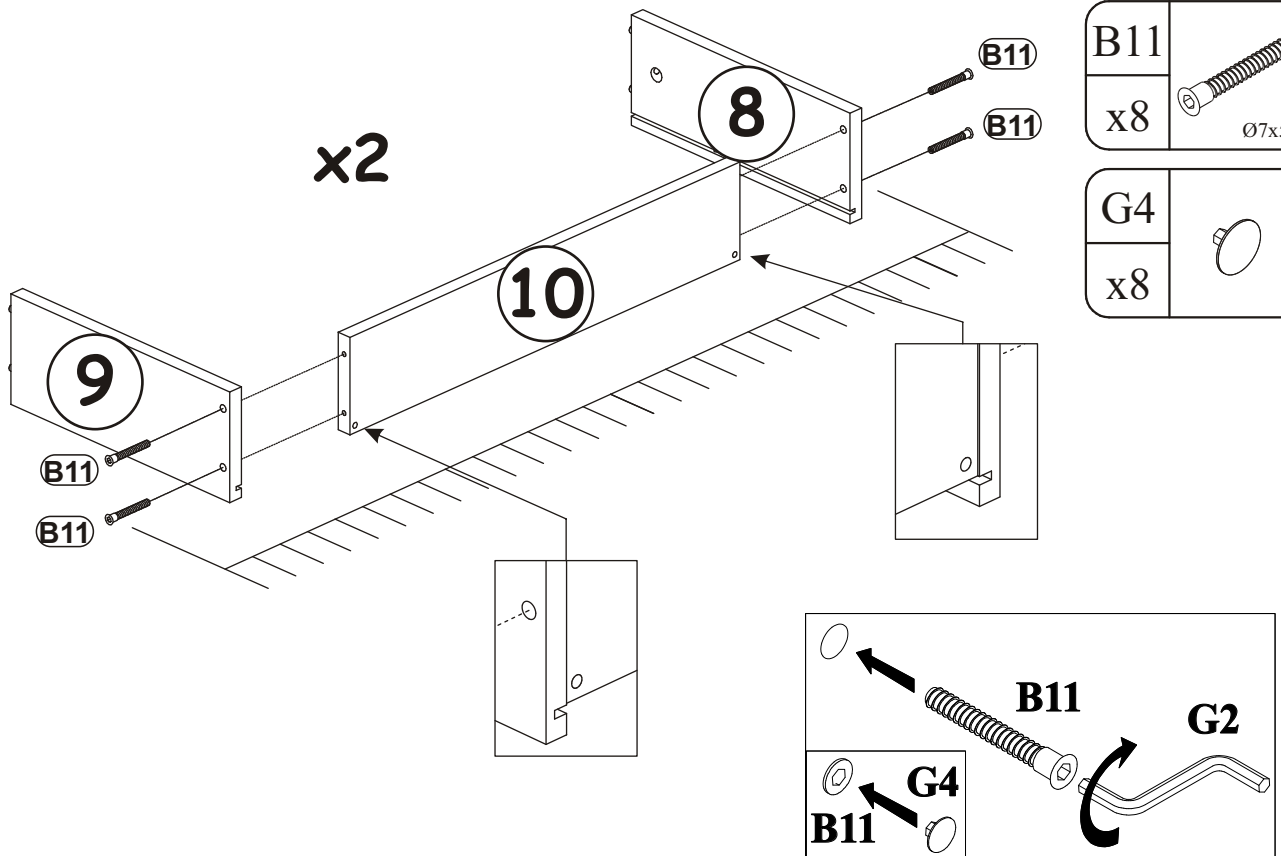
I11	
x5	Ø45, h=15



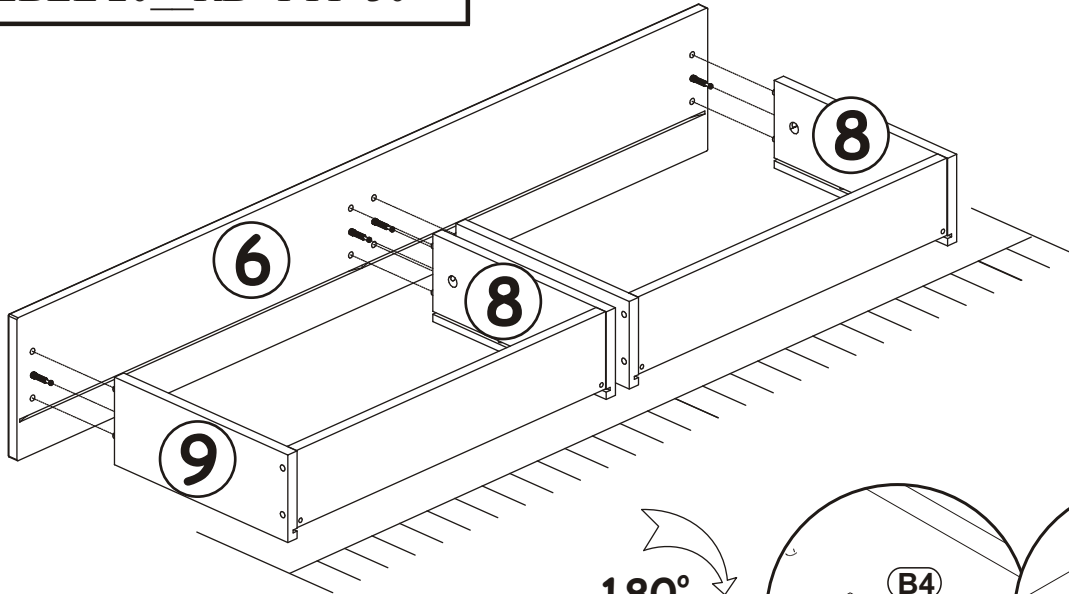
4

B11	
x8	Ø7x50

G4	
x8	



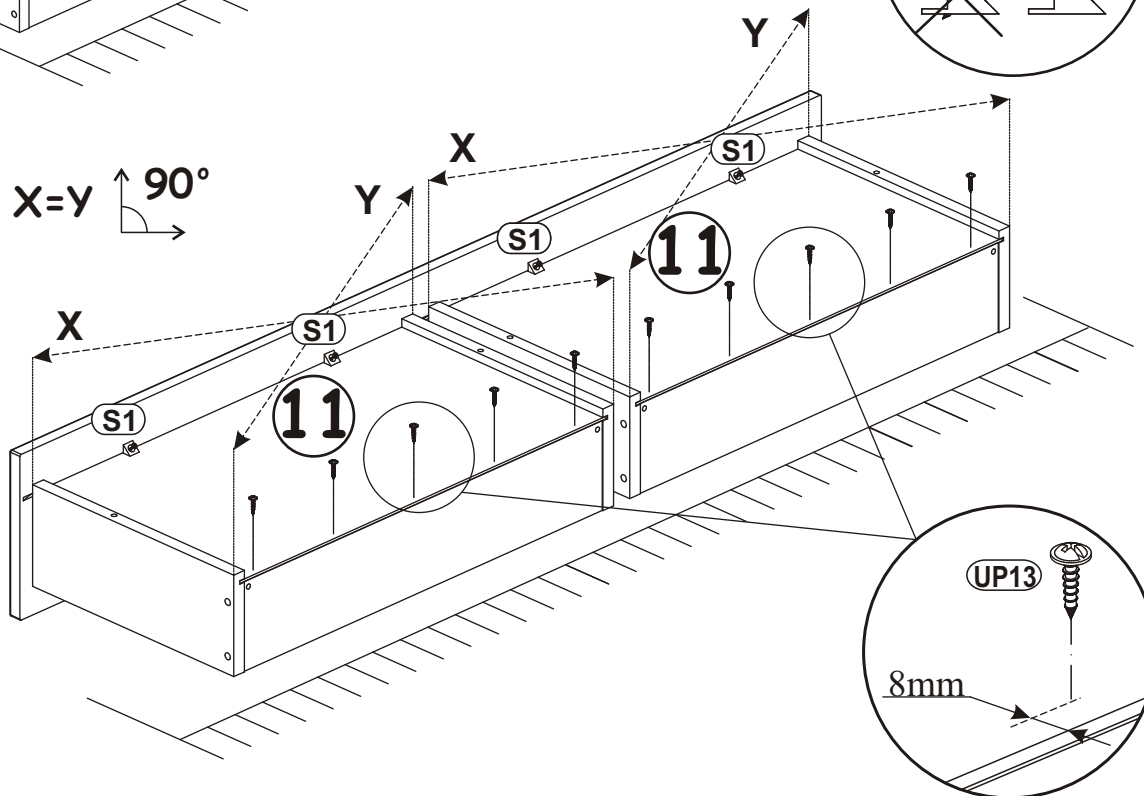
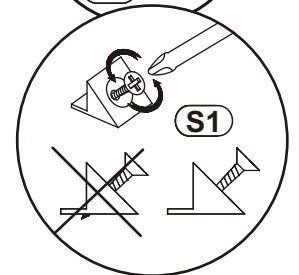
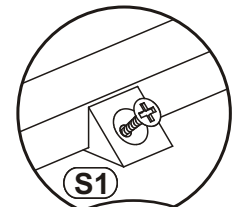
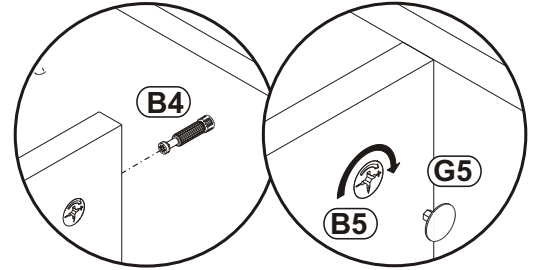
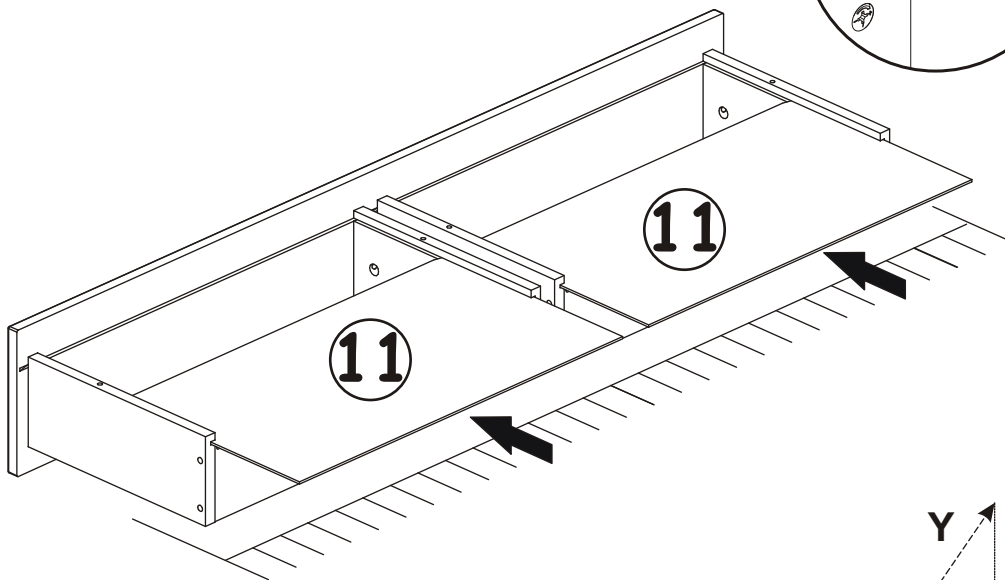
5




G5	
x4	

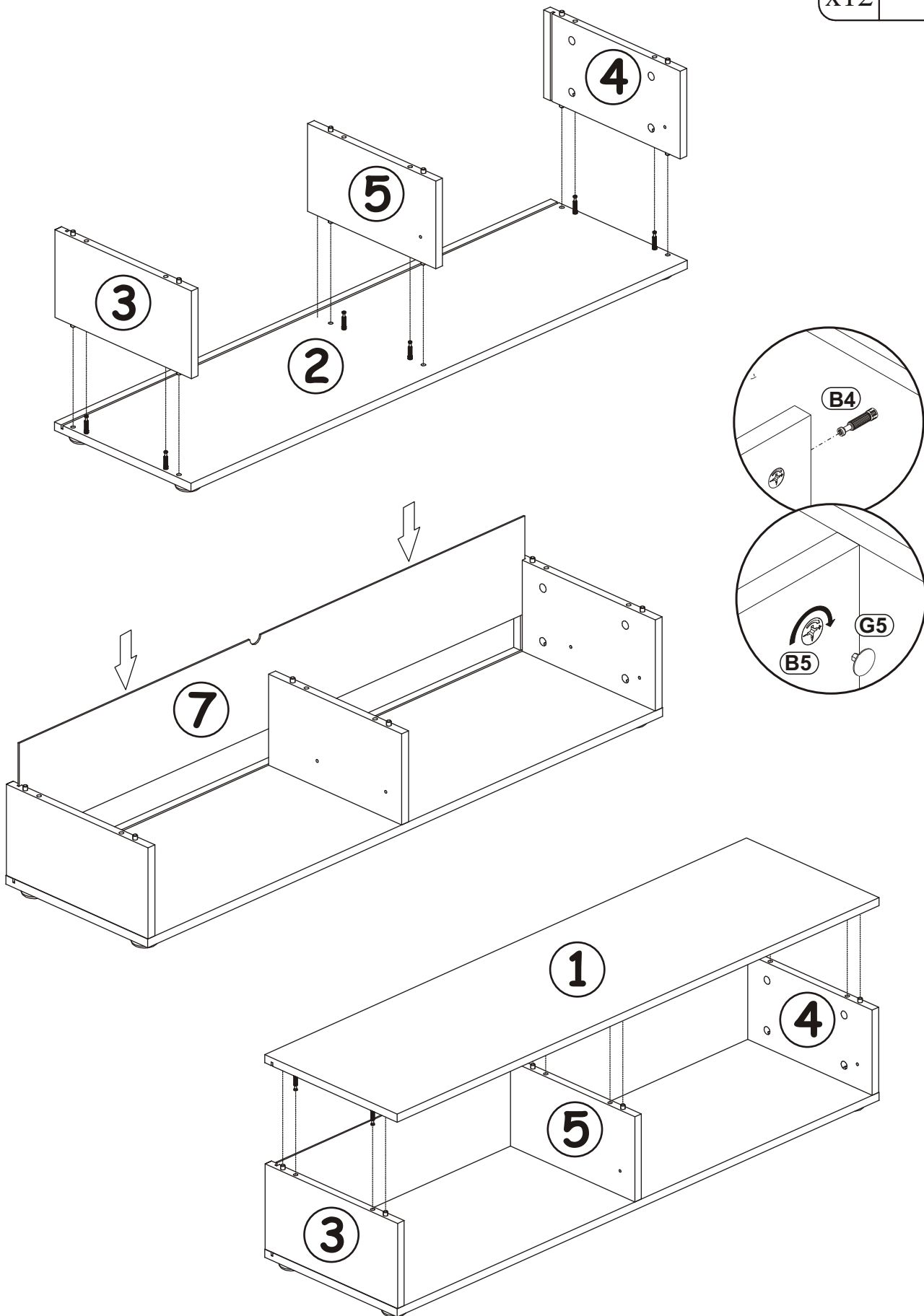
UP13	
x10	UPØ3x16

S1	
x4	

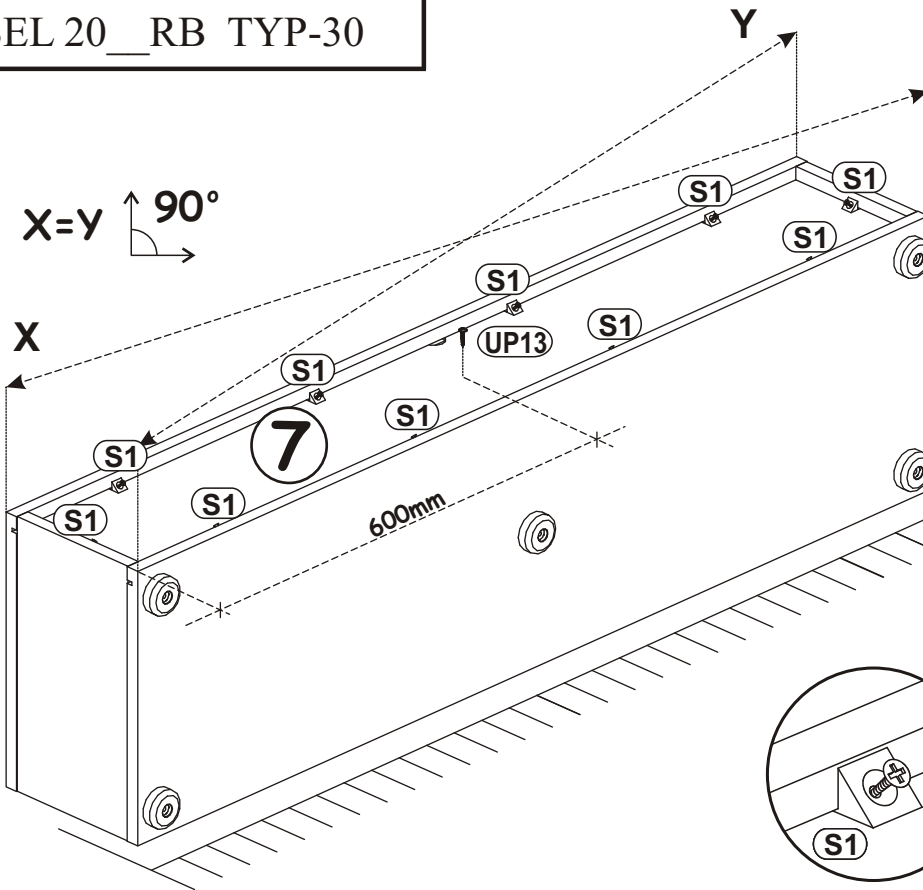


G5	
x12	

6

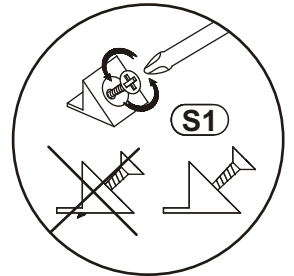
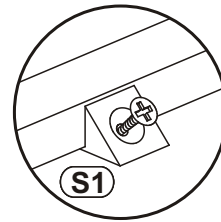
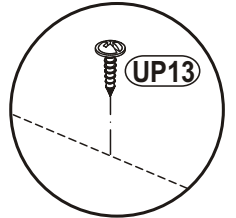


7



UP13	
x1	UPØ3x16

S1	
x10	

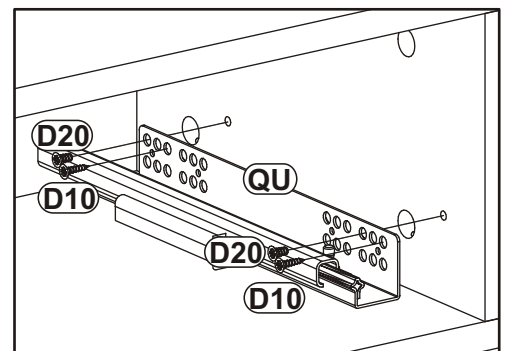
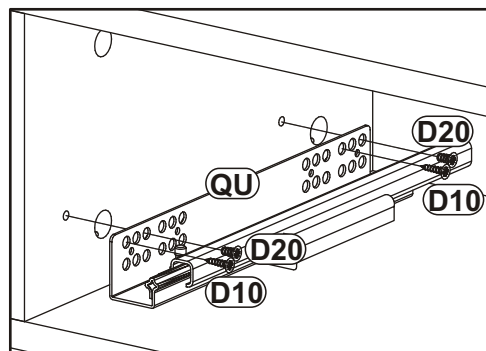
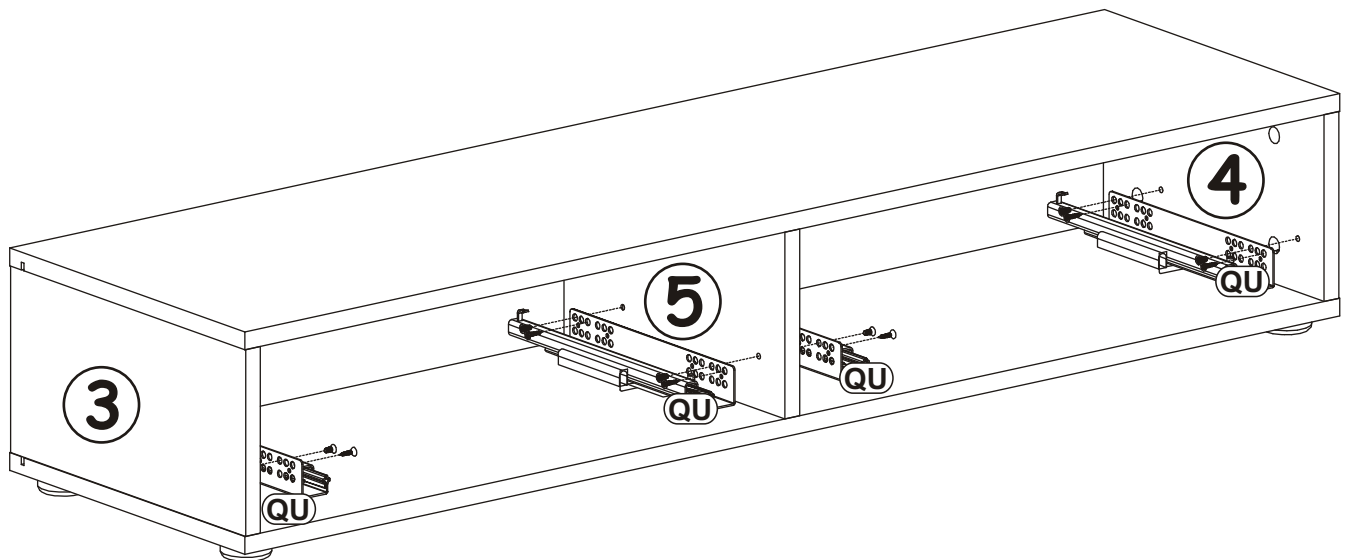



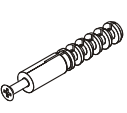
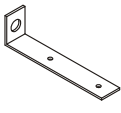
8

QU	
x2	L-300

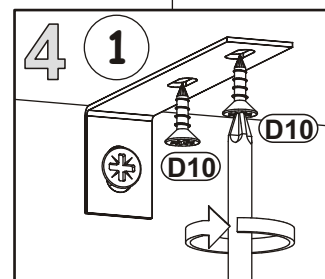
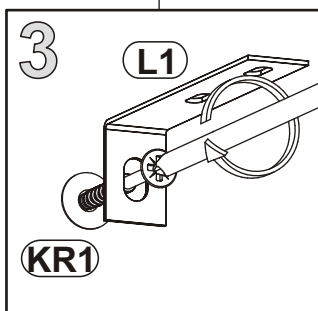
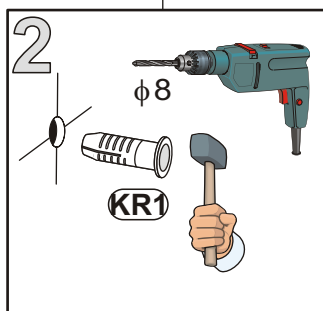
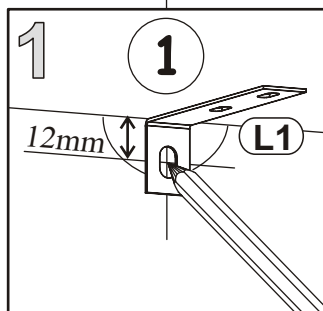
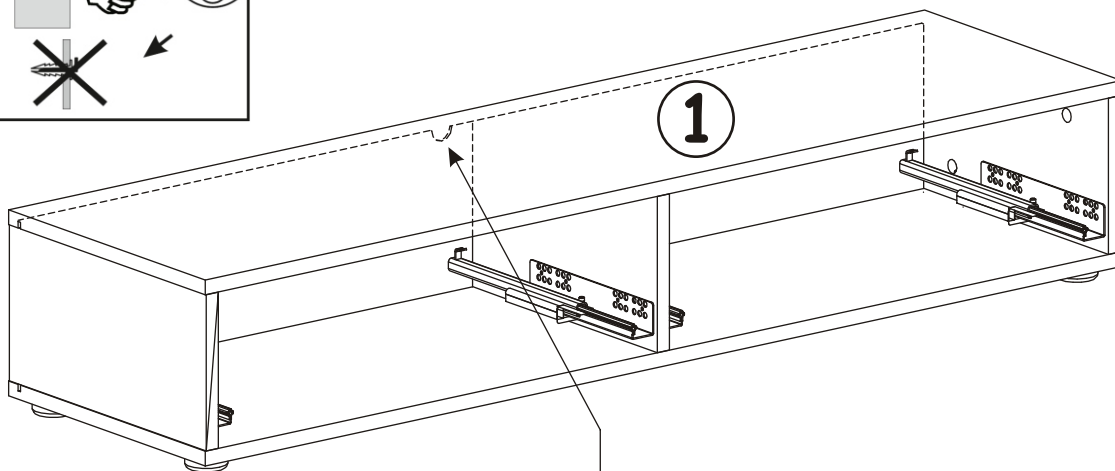
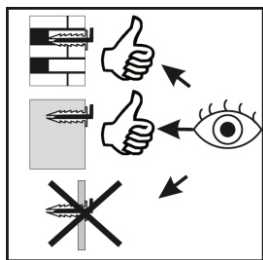
D20	
x8	ESØ6,3x9,5

D10	
x8	USØ3,5x13

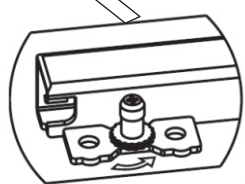
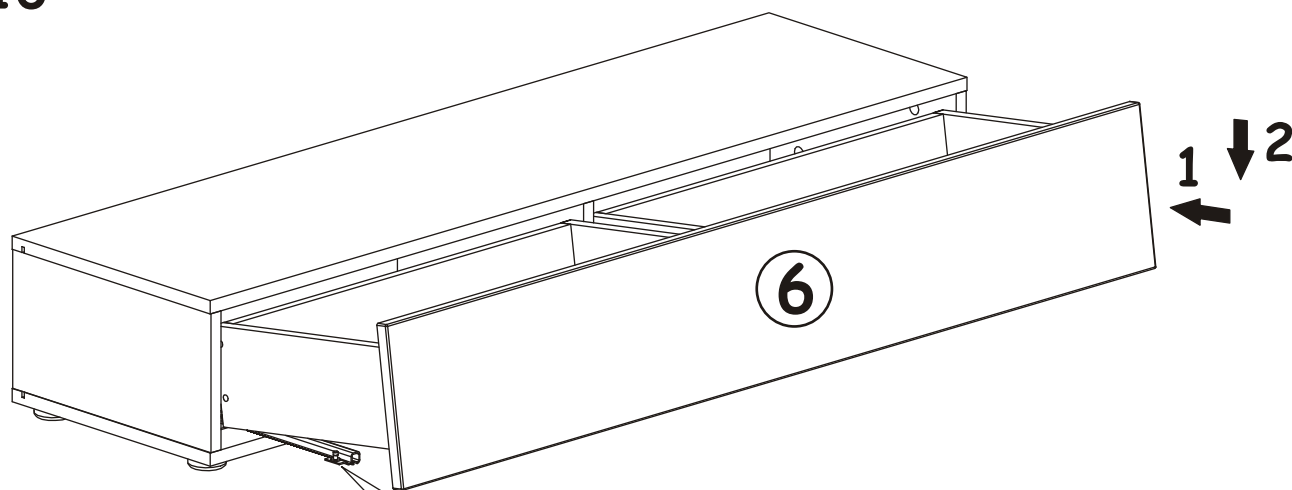


D10		KR1		L1	
x2	US03,5x13	x1		x1	

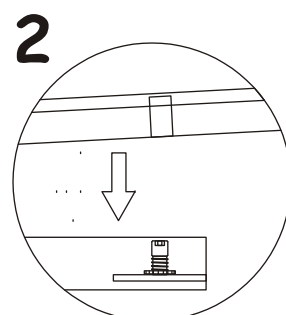
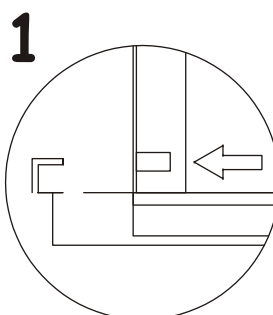
9



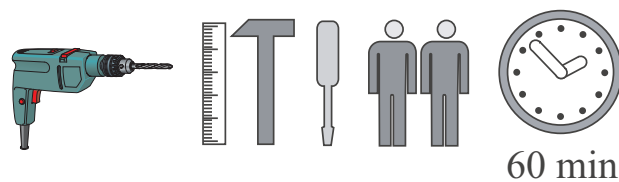
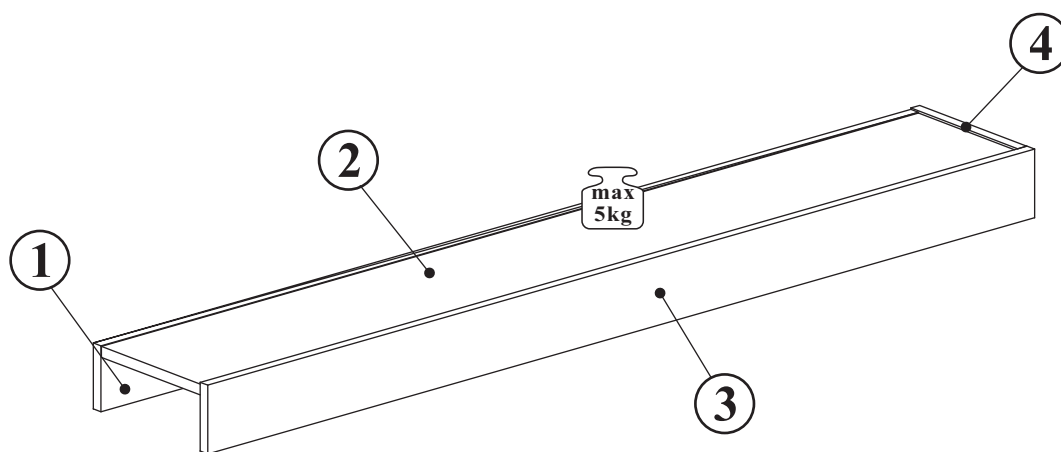
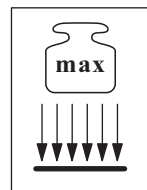
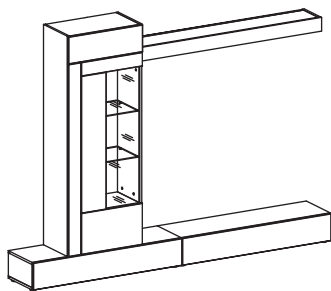
10



↑ +4 mm



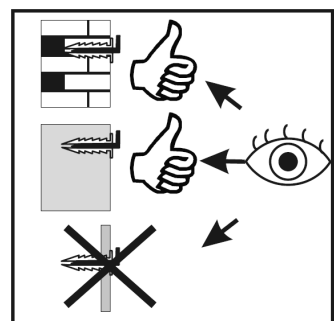
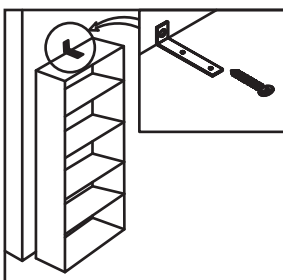
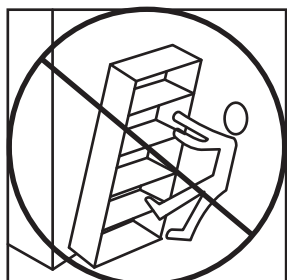
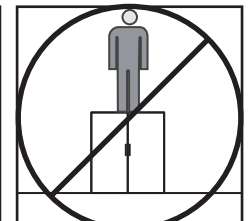
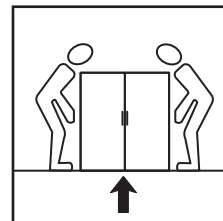
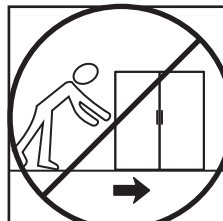
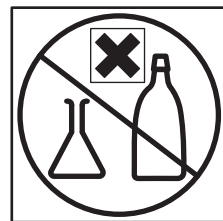
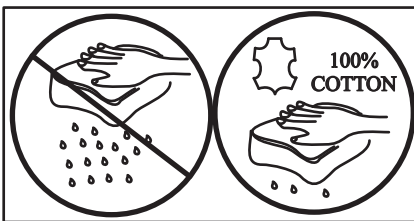
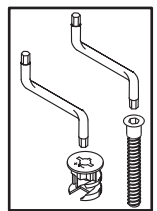
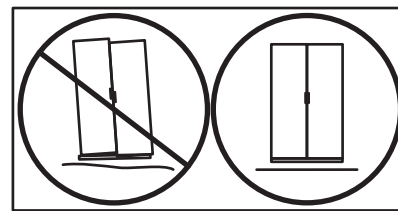
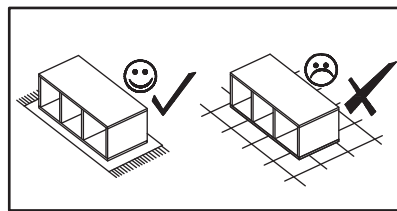
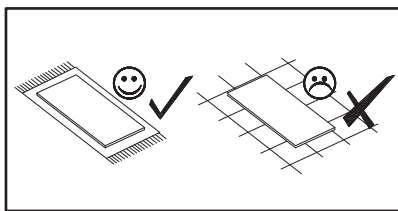
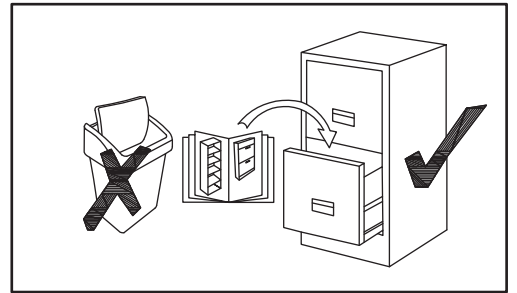
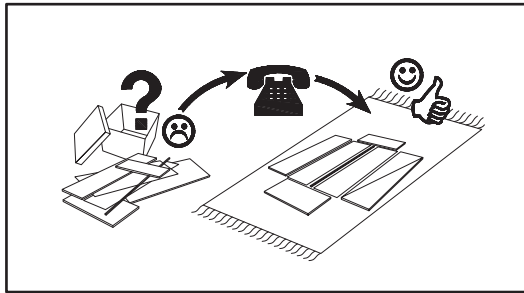
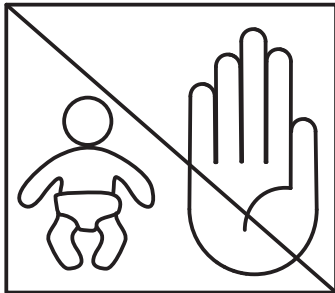
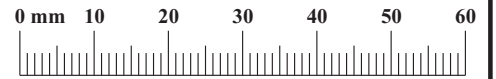
REBEL 20_RB TYP 40



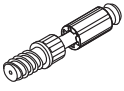

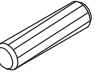
NO	Dim.			Col-No	Qty
1	1483	98	16	2	1
2	1482	208	16	2	1
3	1500	100	16	2	1
4	224	100	16	2	1

REBEL 20_RB TYP-40

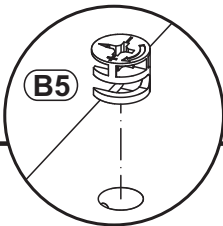
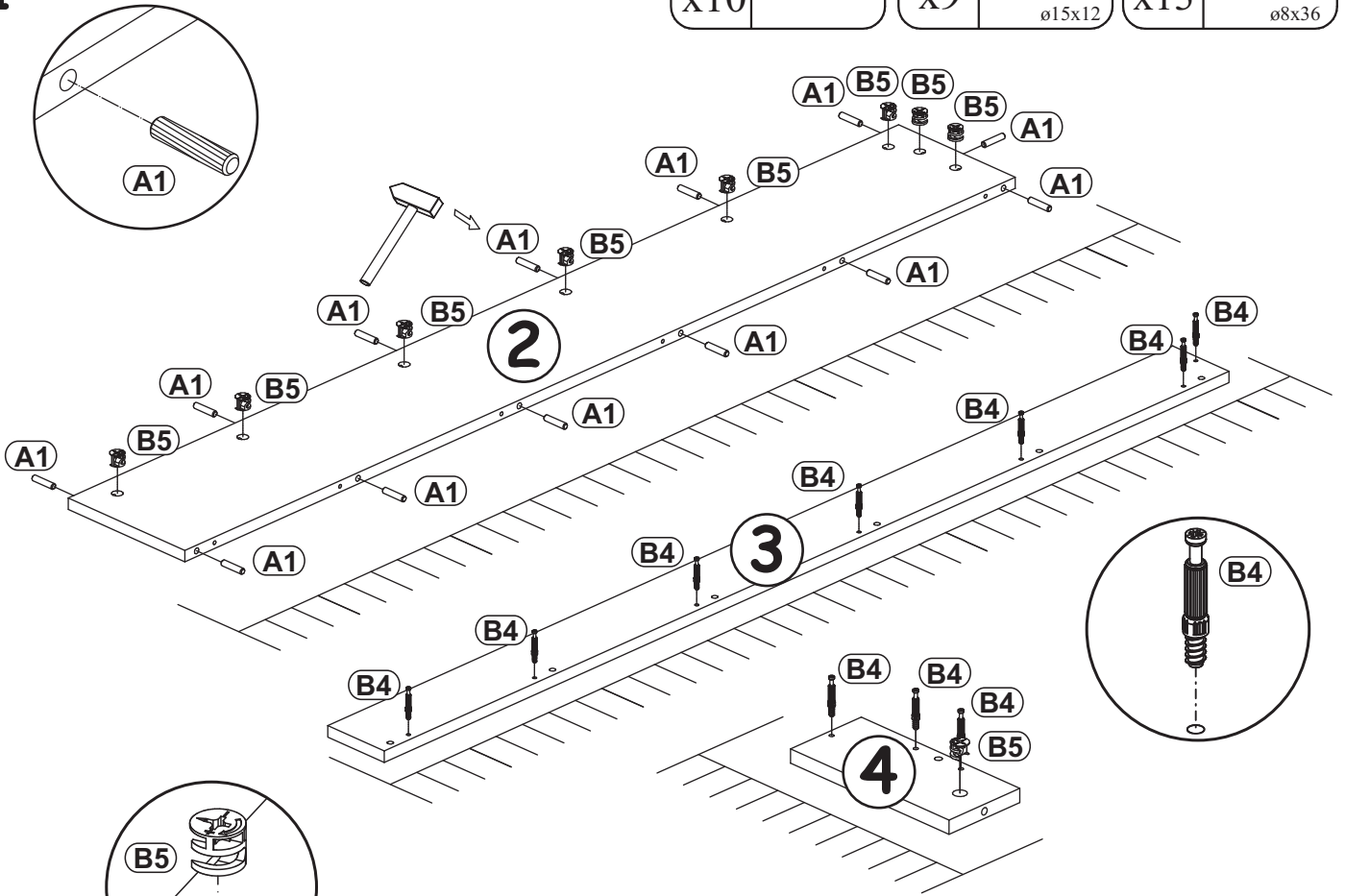
A1 x13 ø8x36	B4 x10	B5 x10 ø15x12	G5 x10	B11 x6 Ø7x50	G4 x6
ZM1 x3	D28 x6 ESØ6x9,5	KR3 x3 Ø8			






REBEL 20_RB TYP-40

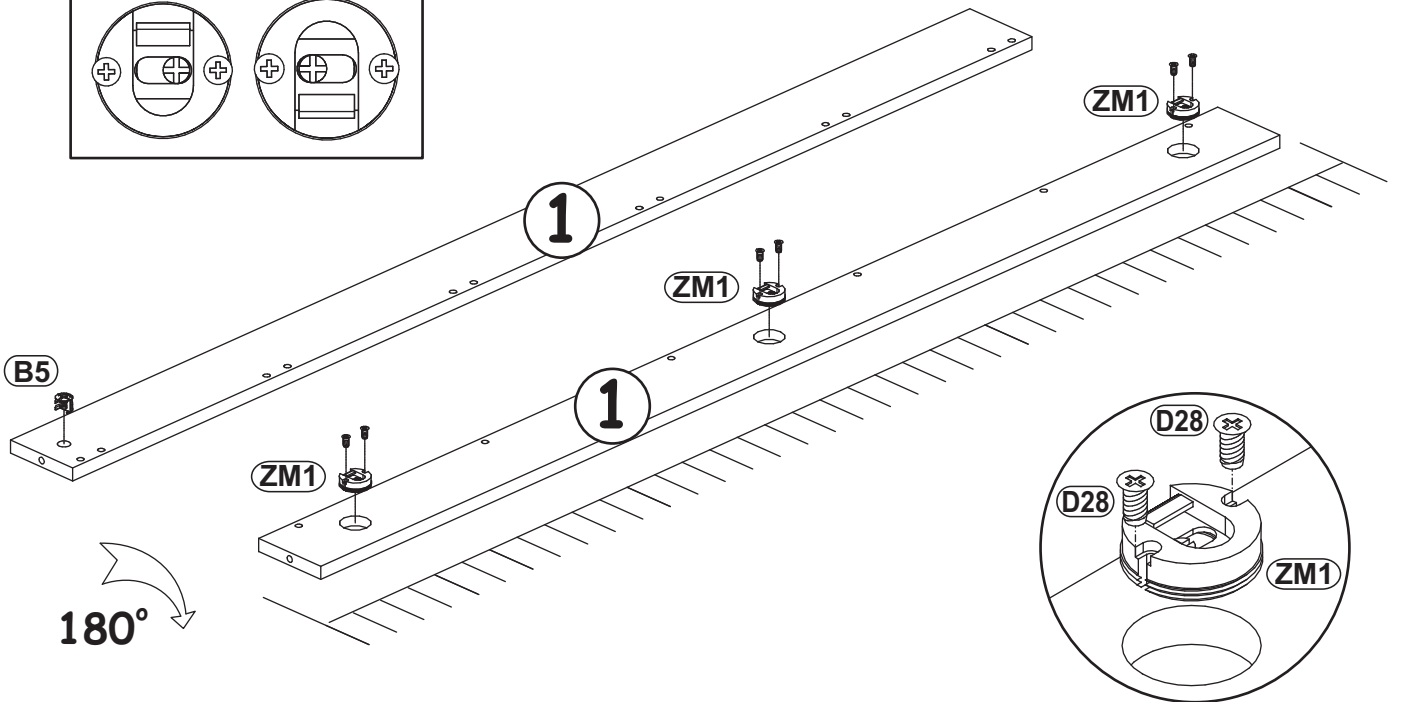
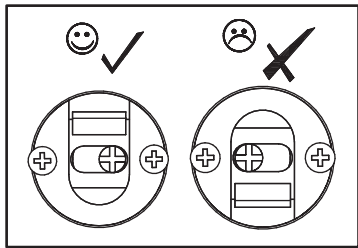
B4 x10		B5 x9	 ø15x12	A1 x13	 ø8x36
-----------	--	----------	---	-----------	--

1





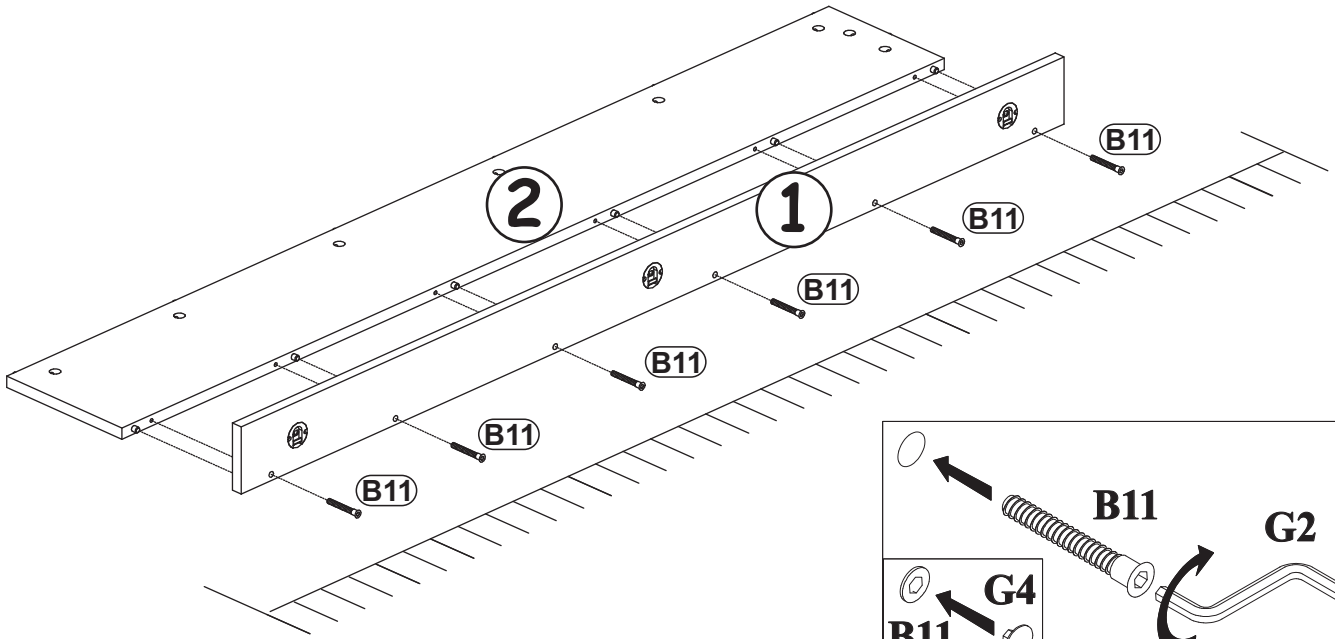
2

ZM1 x3		D28 x6	 ESØ6x9,5	B5 x1	 ø15x12
-----------	--	-----------	---	----------	---




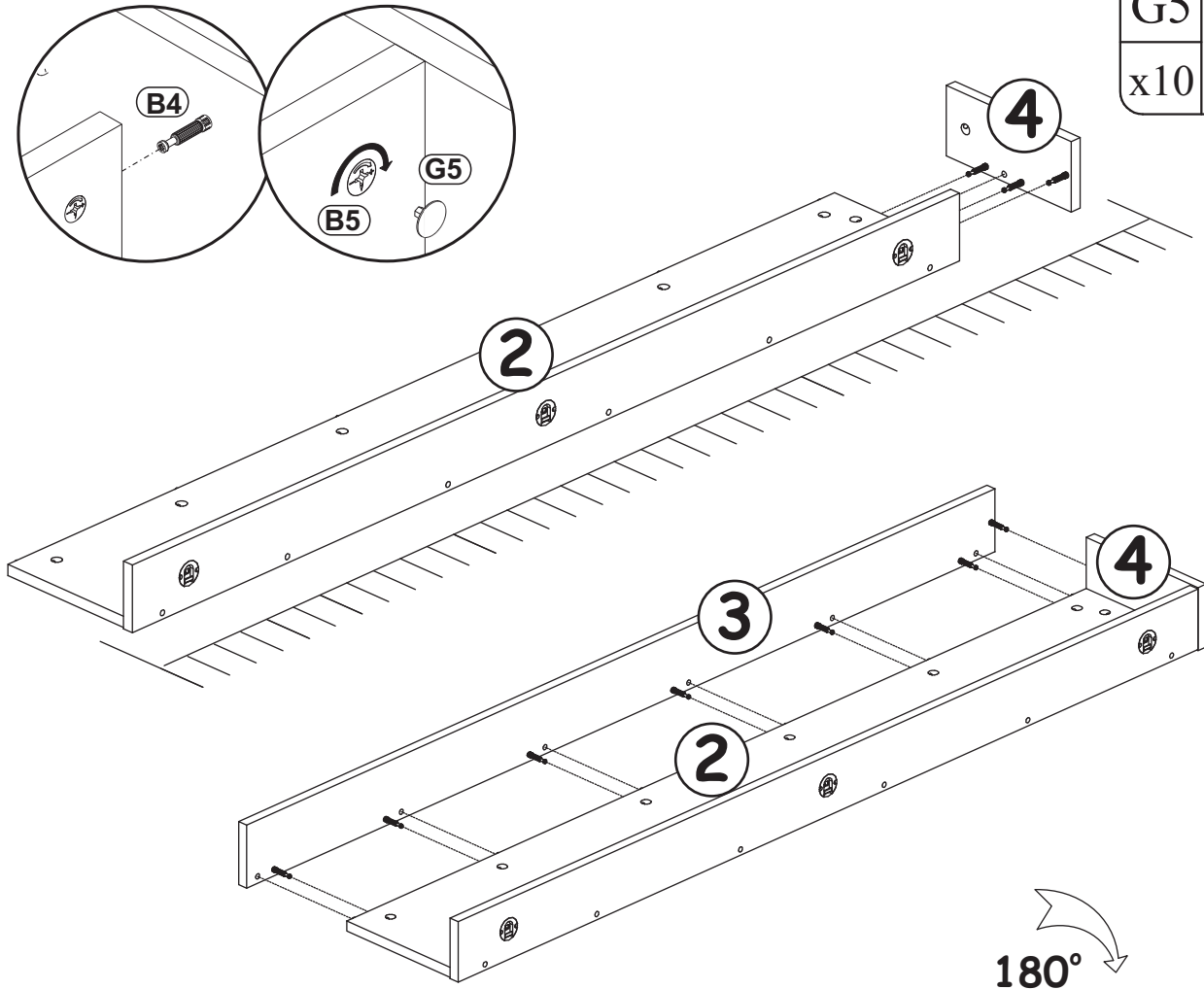
3

G4		B11	
x6		x6	Ø7x50

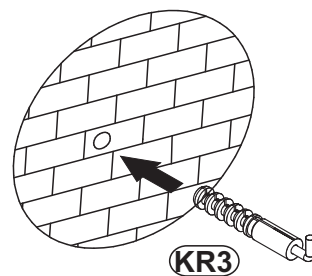
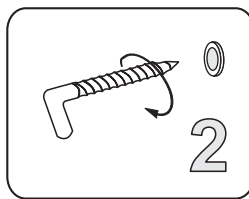
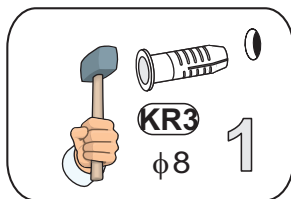
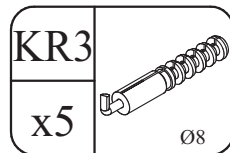
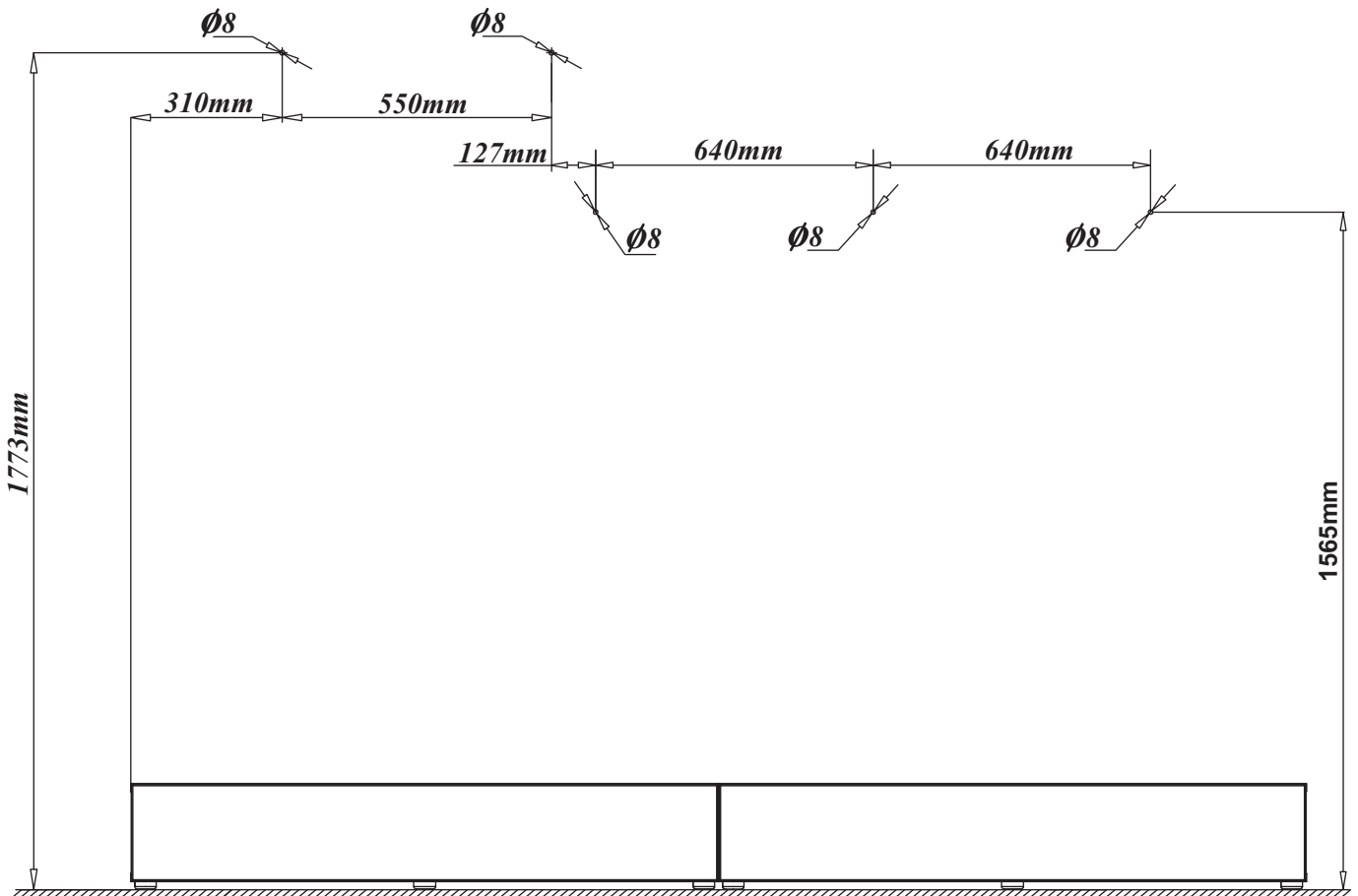
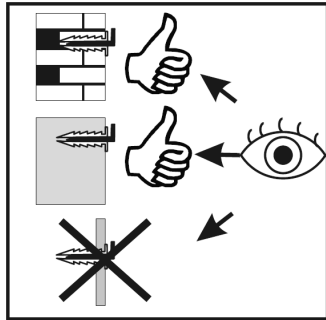


4

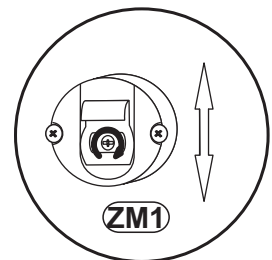
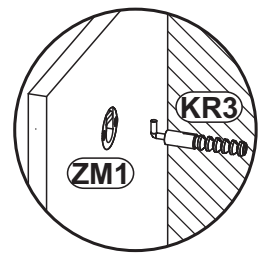
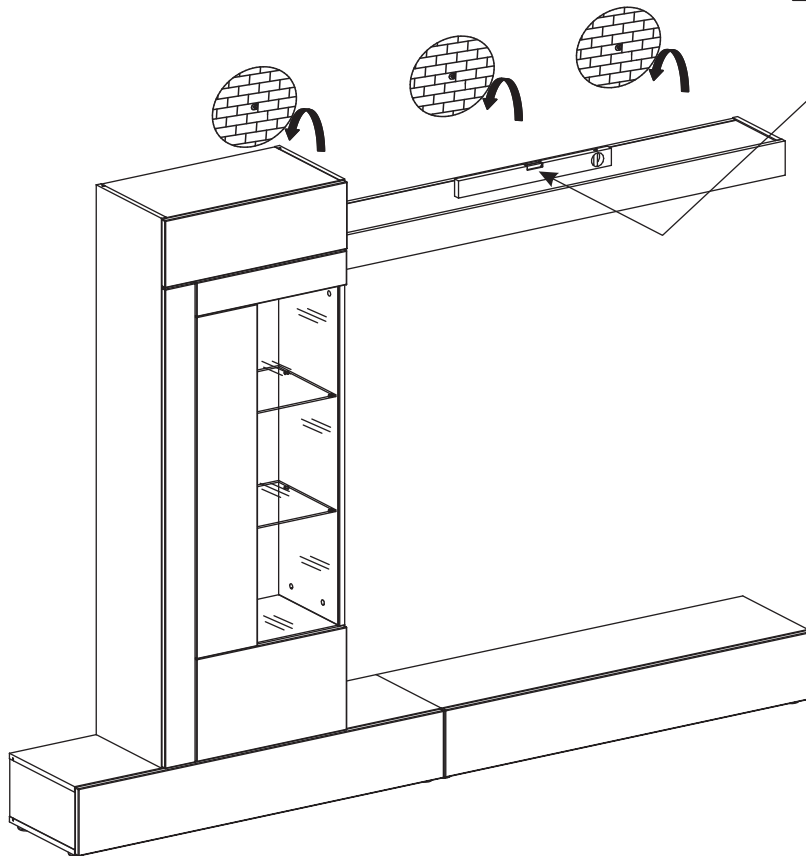
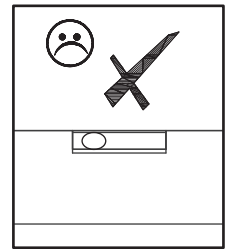
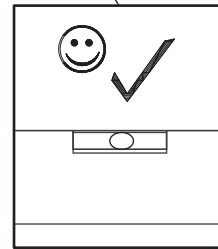
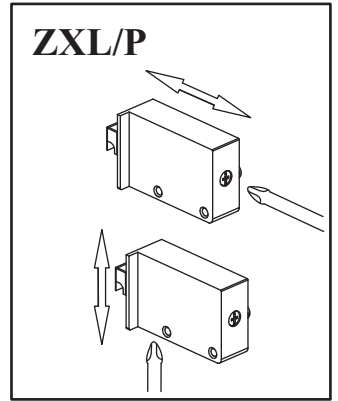
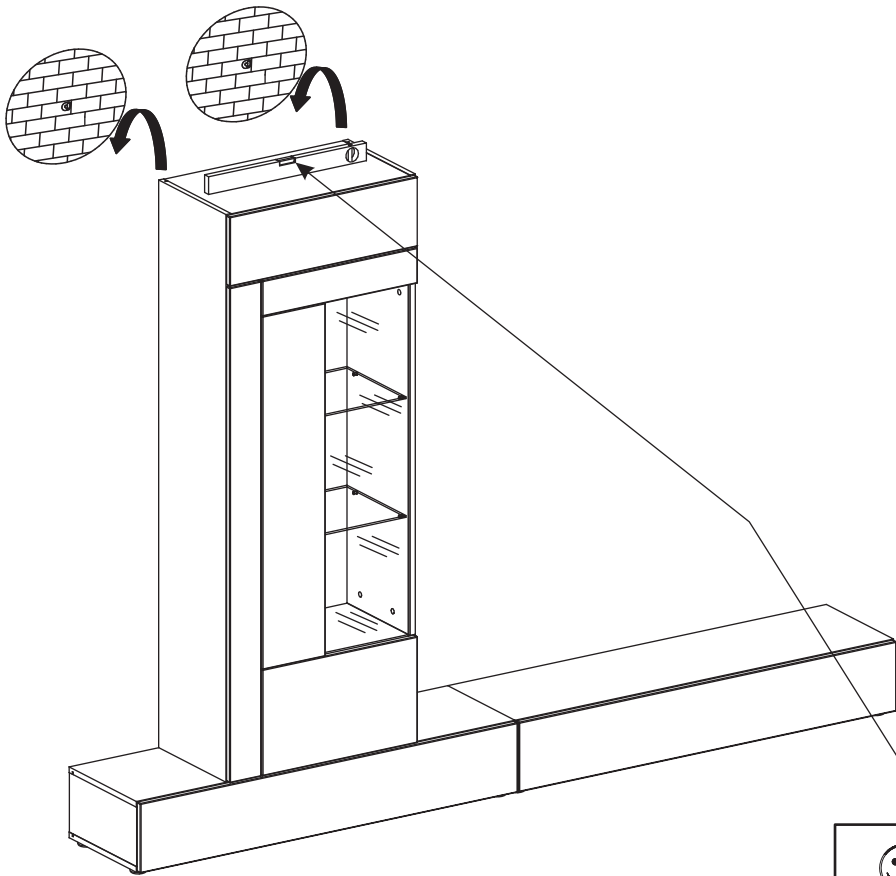
G5	
x10	



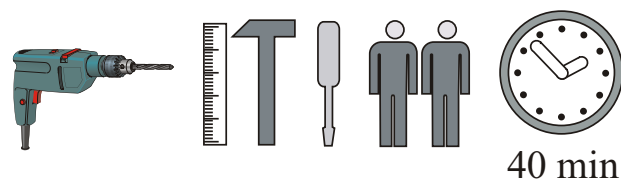
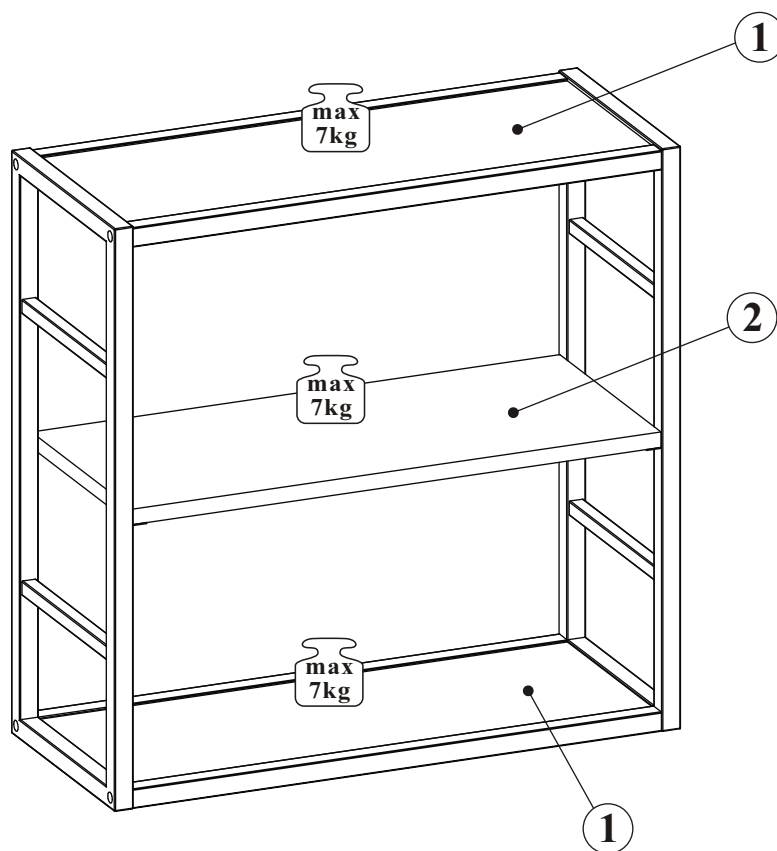
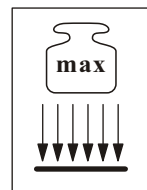
5



6


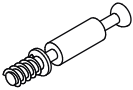

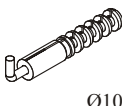




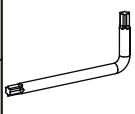


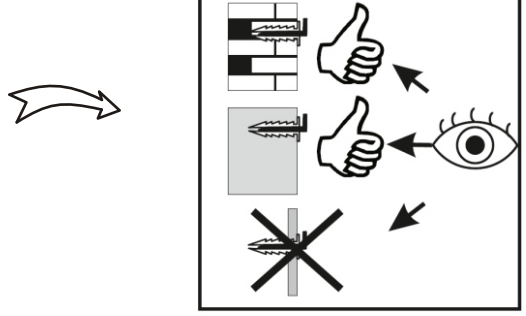
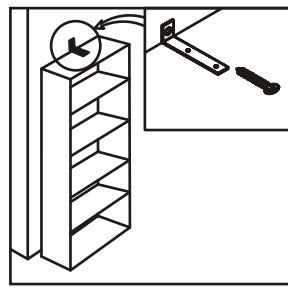
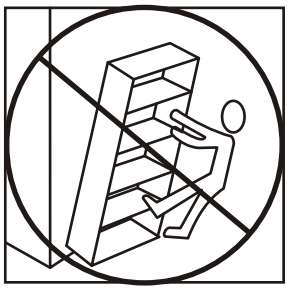
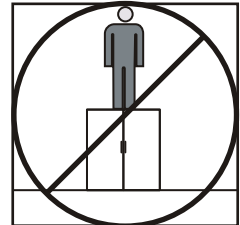
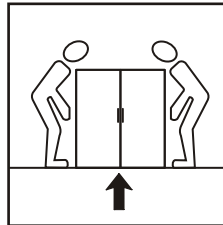
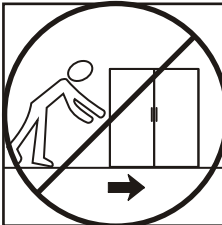
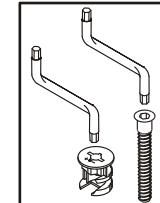
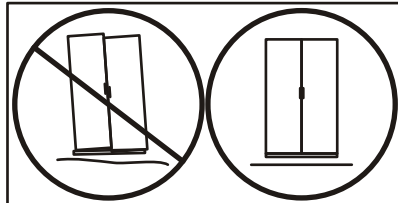
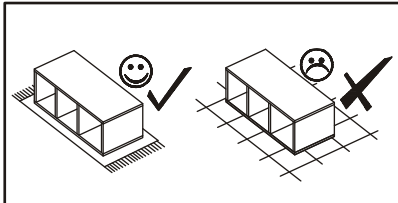
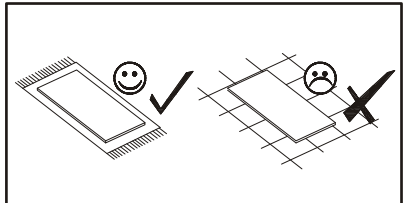
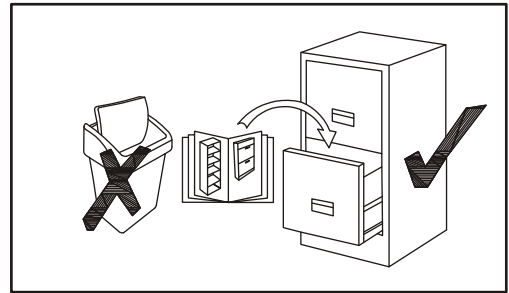
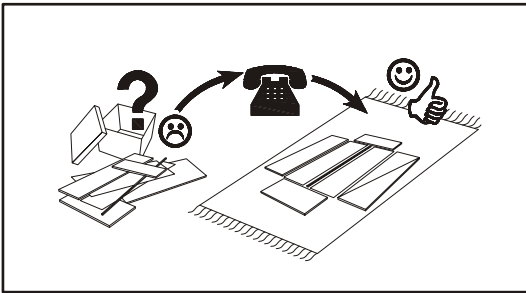
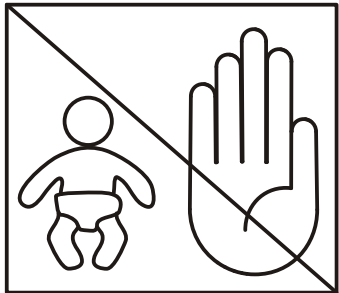
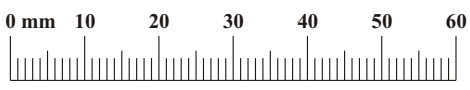
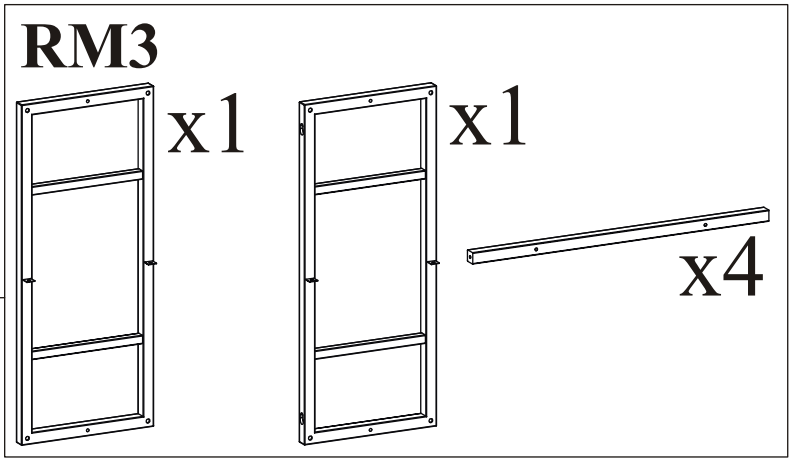
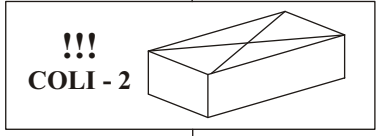
SWITCH 27_SW RM3



NO	Dim.			Col.-No	Qty
1	560	208	16	1	2
2	560	245	16	1	1

SWITCH 27_SW RM3

B5 x12	 Ø15x12	B20 x12		G5 x12		KR3 x4	 Ø10	G2 x1		UP13 x4	 UPØ3x16
D60 x8	 M6x30	G12 x8	 Ø14	GSZ x1							



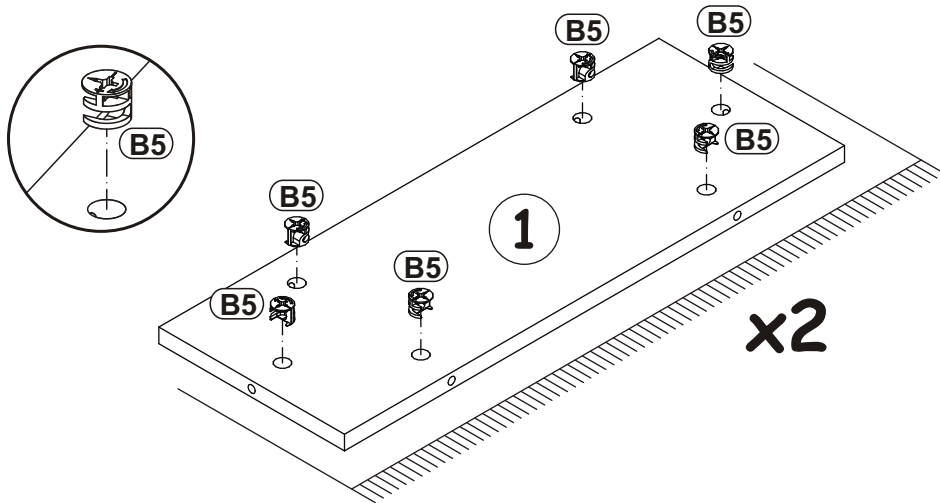
SWITCH 27__SW RM3

B5

x12



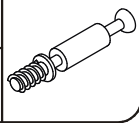
1



2

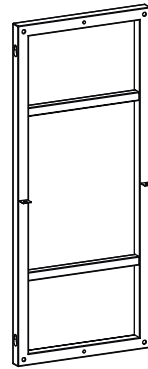
B20

x12

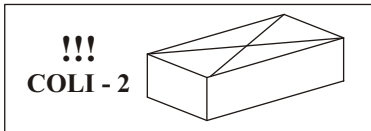


RM3

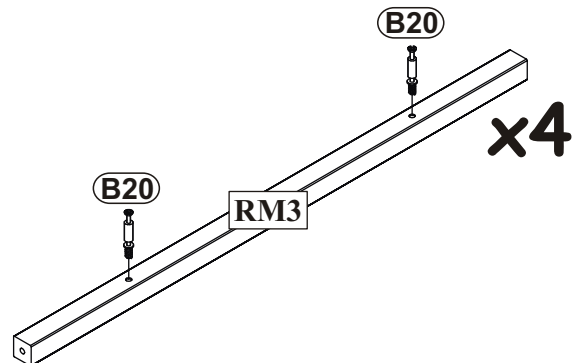
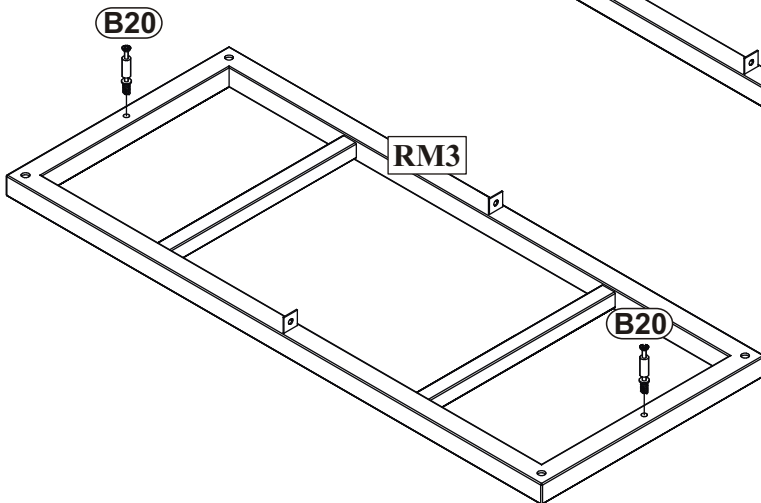
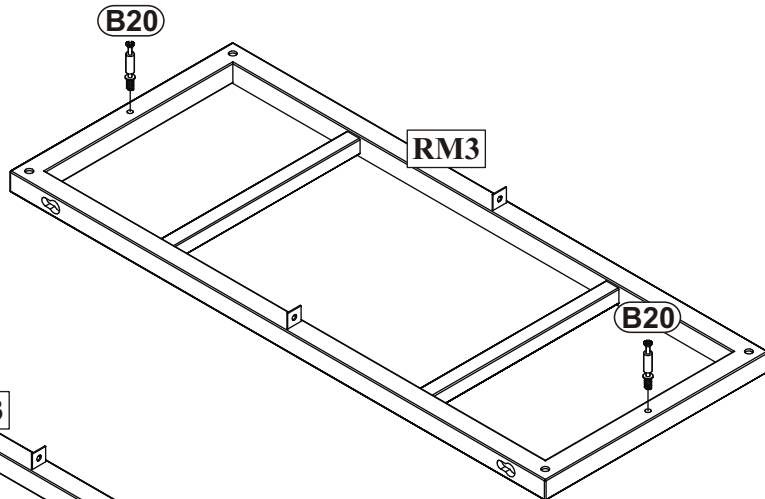
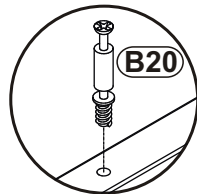
x1



x1

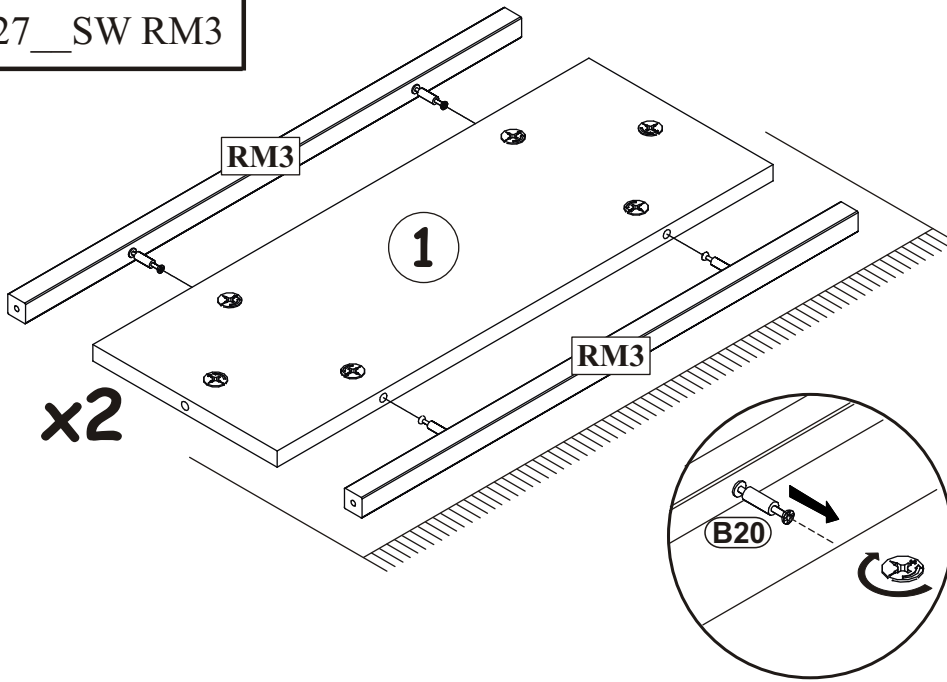


x4

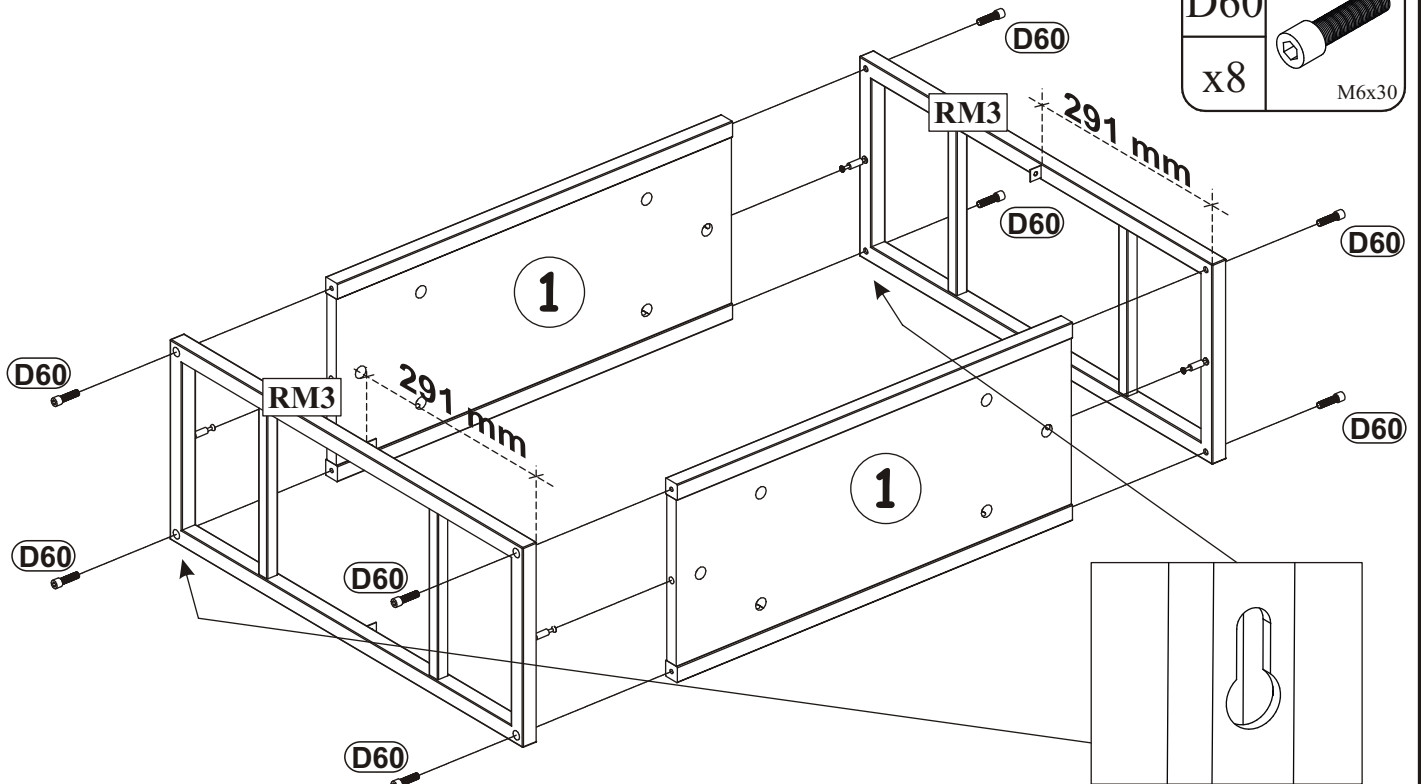
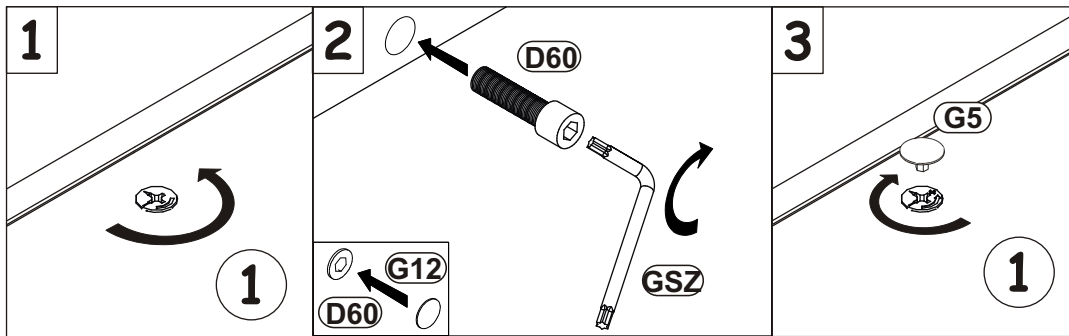


SWITCH 27_SW RM3


3



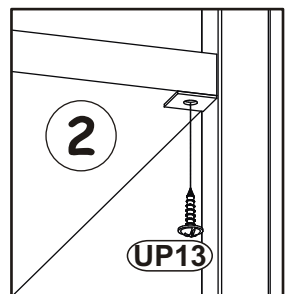
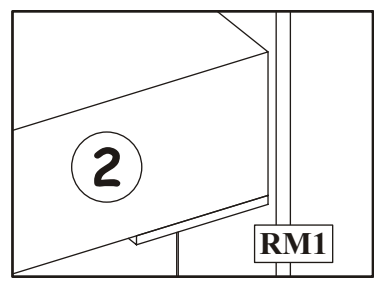
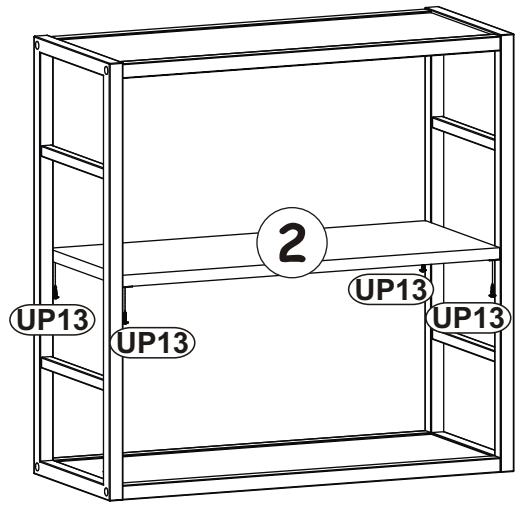
4



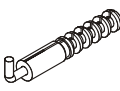
SWITCH 27_SW RM3

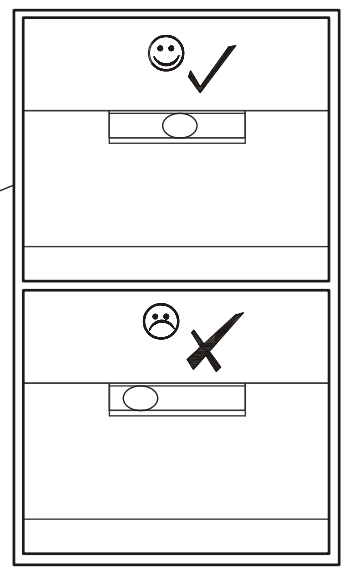
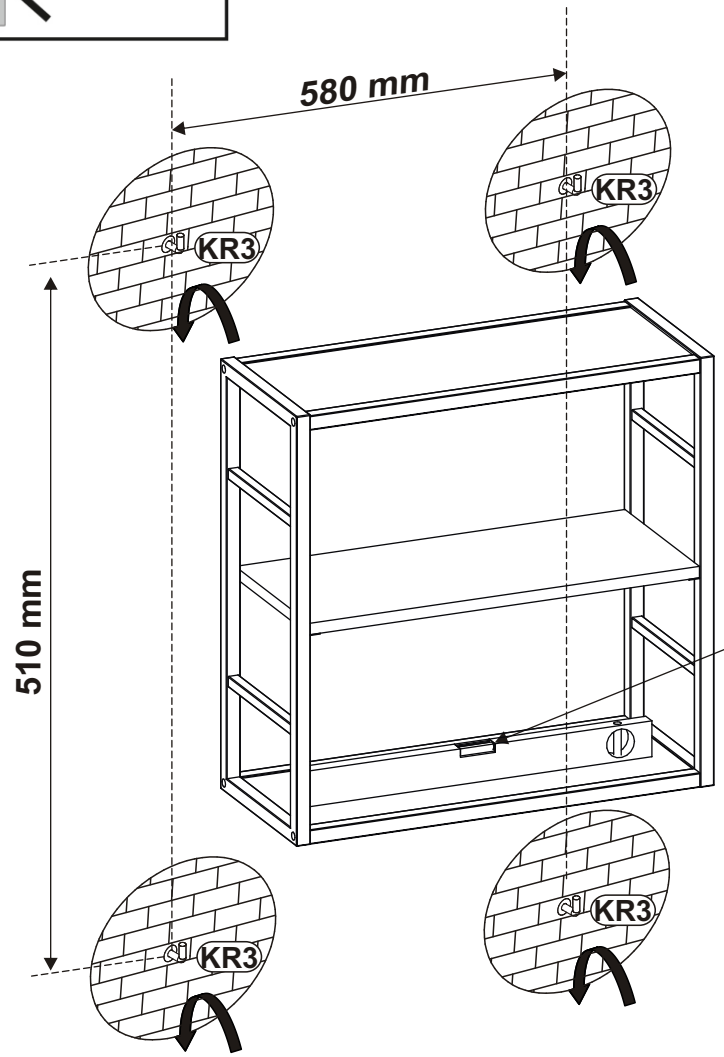
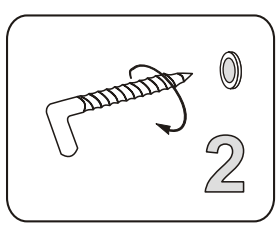
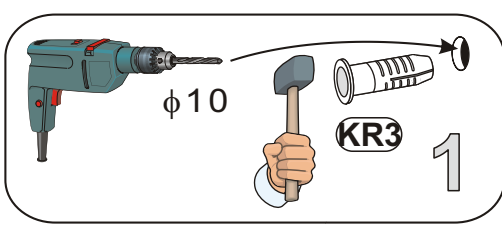
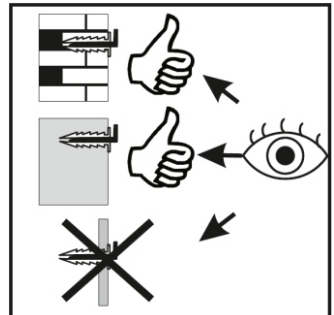
UP13	
x4	UPØ3x16

5

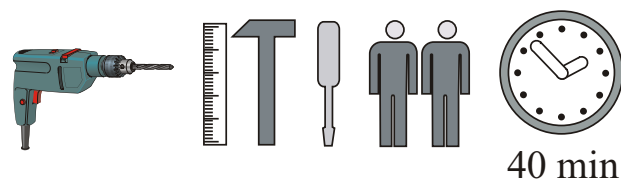
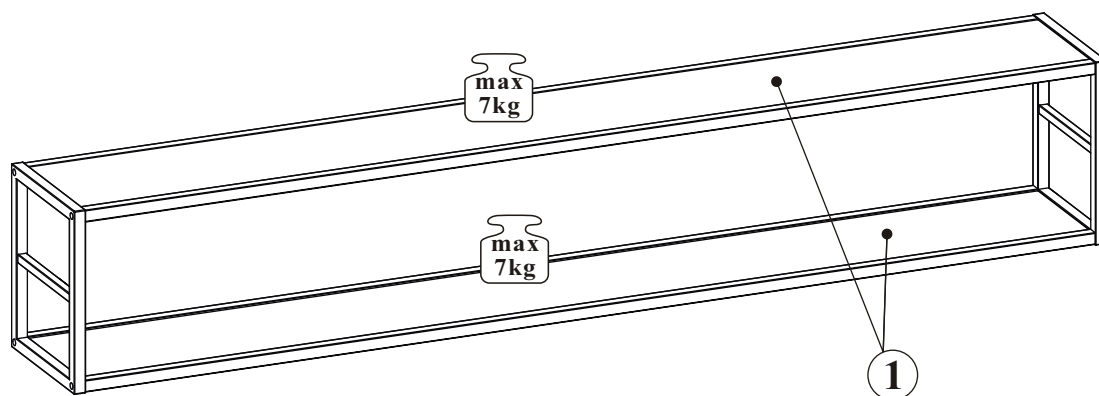
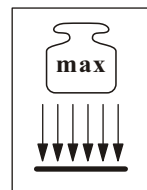


6

KR3	
x4	Ø10


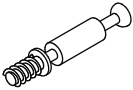


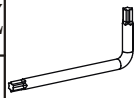
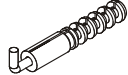




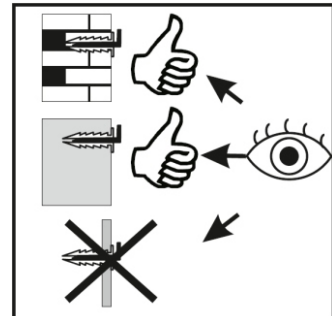
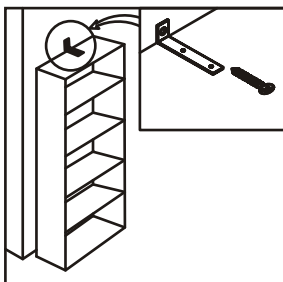
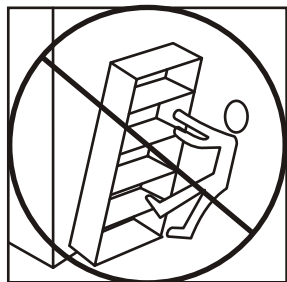
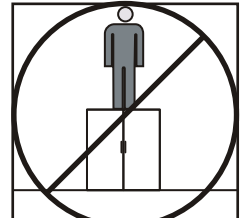
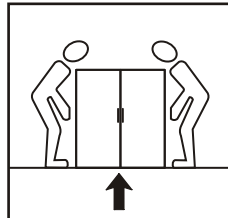
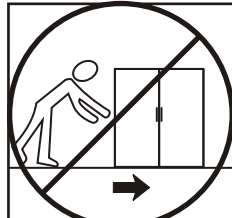
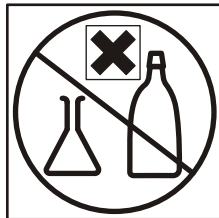
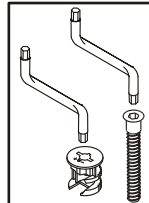
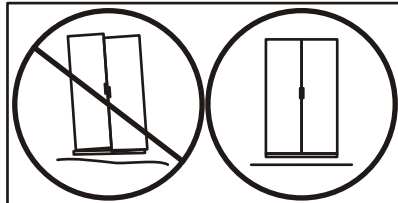
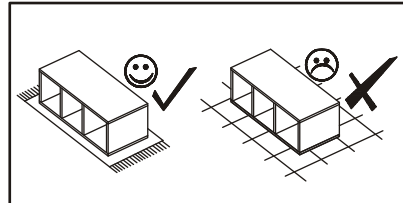
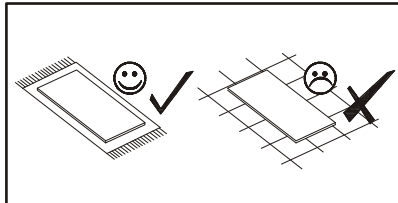
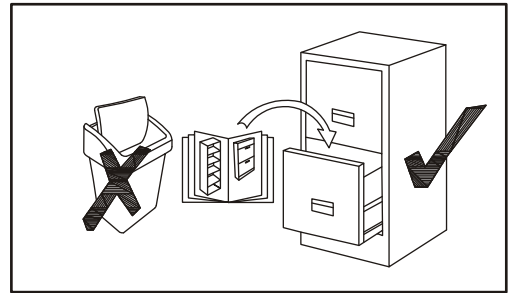
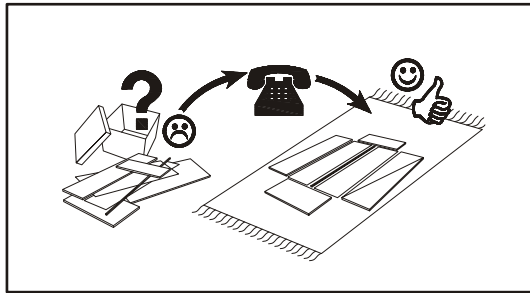
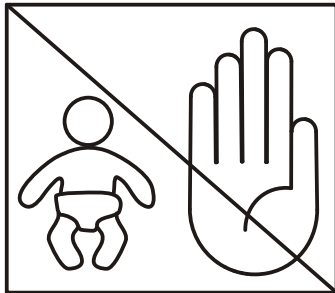
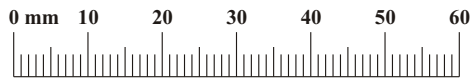
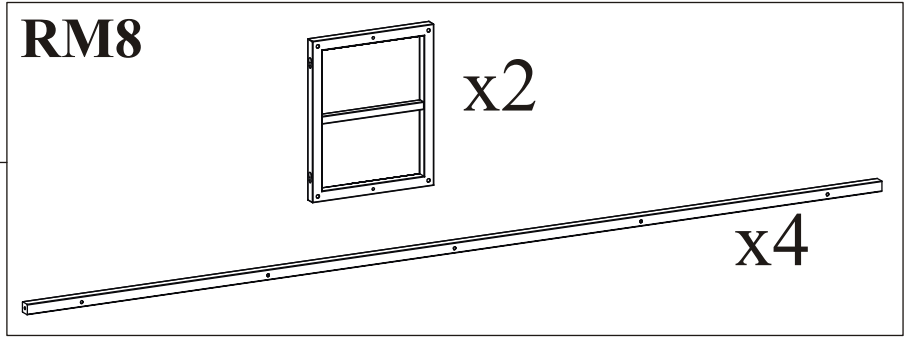
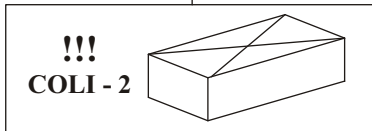
SWITCH 27_SW RM8



NO	Dim.			Col.-No	Qty
1	1760	208	16	1	2

SWITCH 27__SW RM8

B5 x24	 Ø15x12	B20 x24		G5 x24		G2 x1		GSZ x1		KR3 x4	 Ø10
D60 x8	 M6x30	G12 x8	 Ø14								



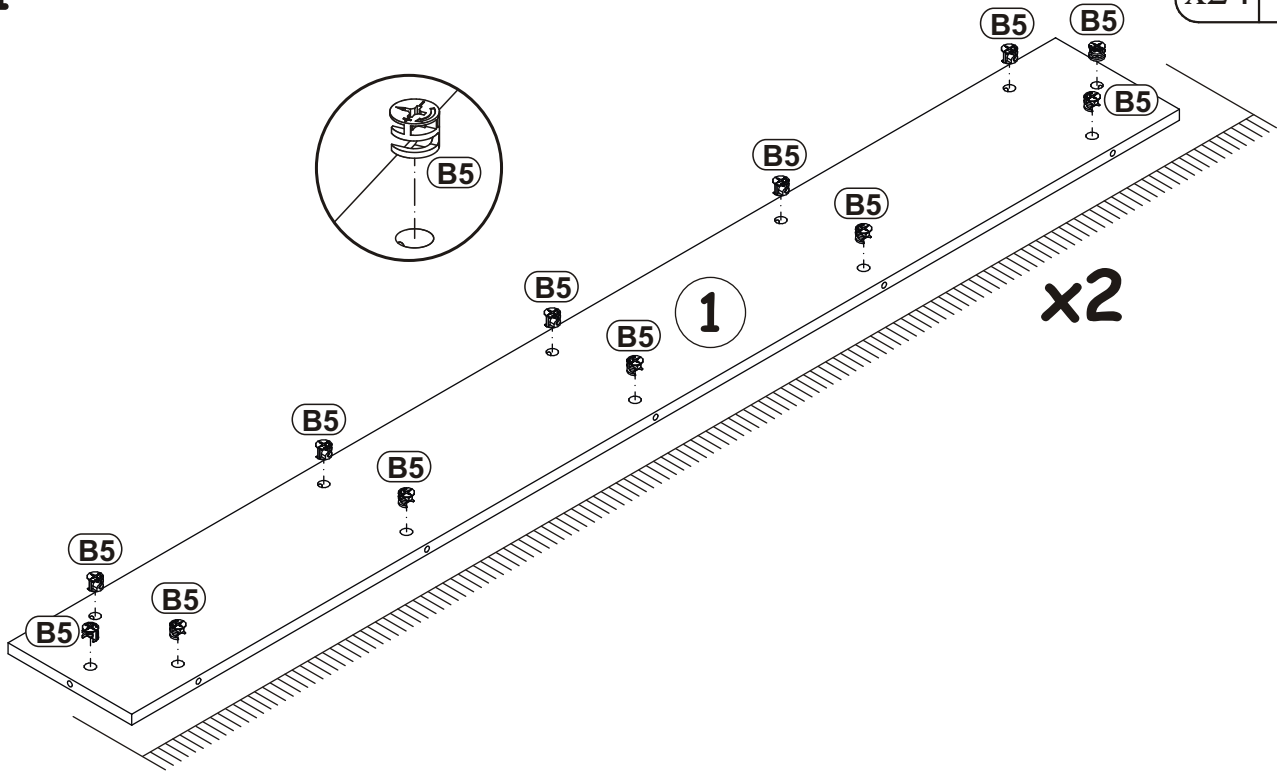
SWITCH 27__SW RM8

B5

x24



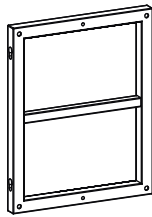
1



2

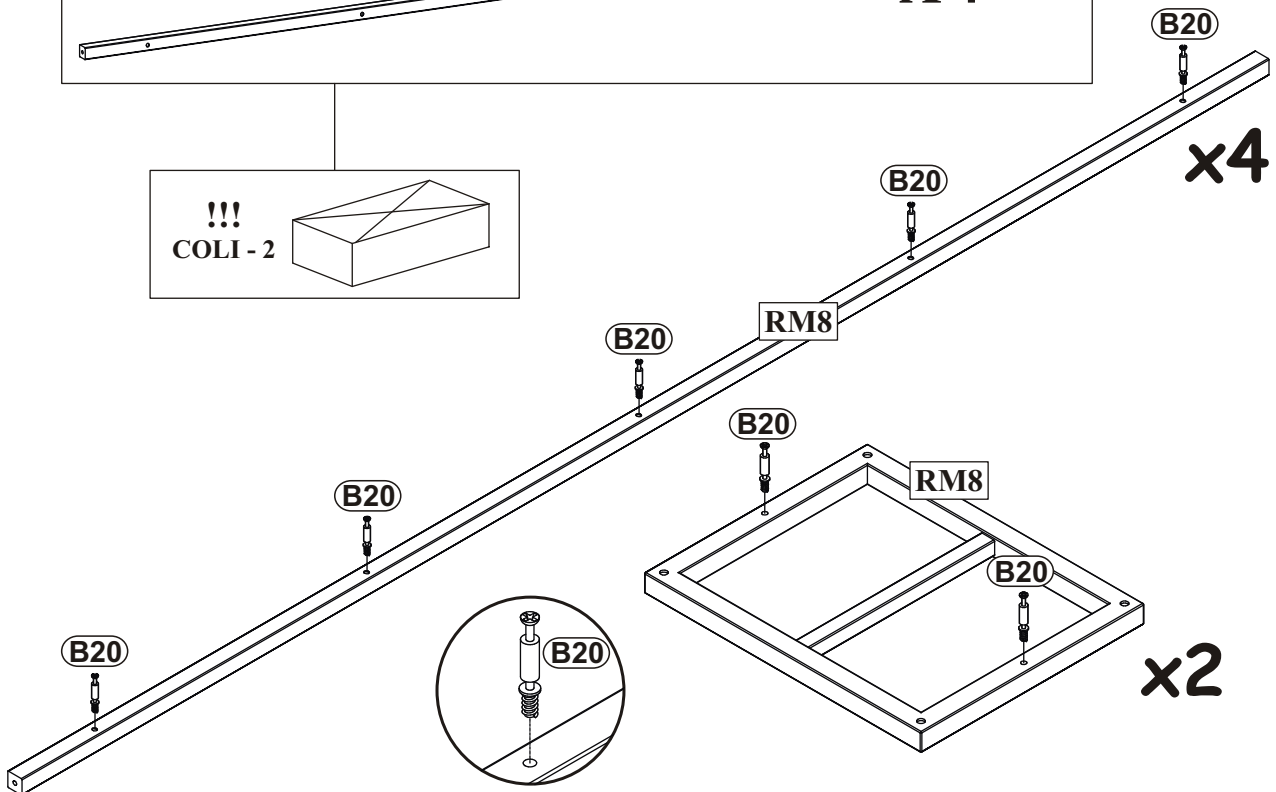
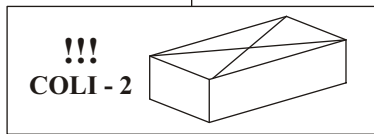
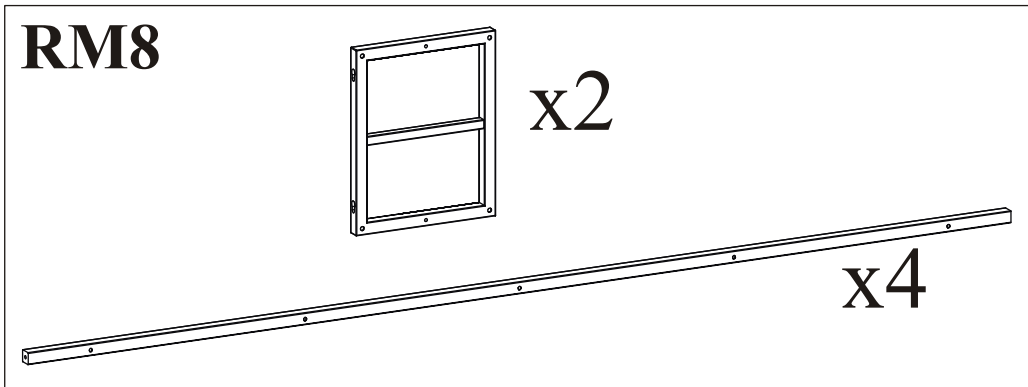
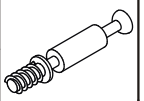
RM8

x2



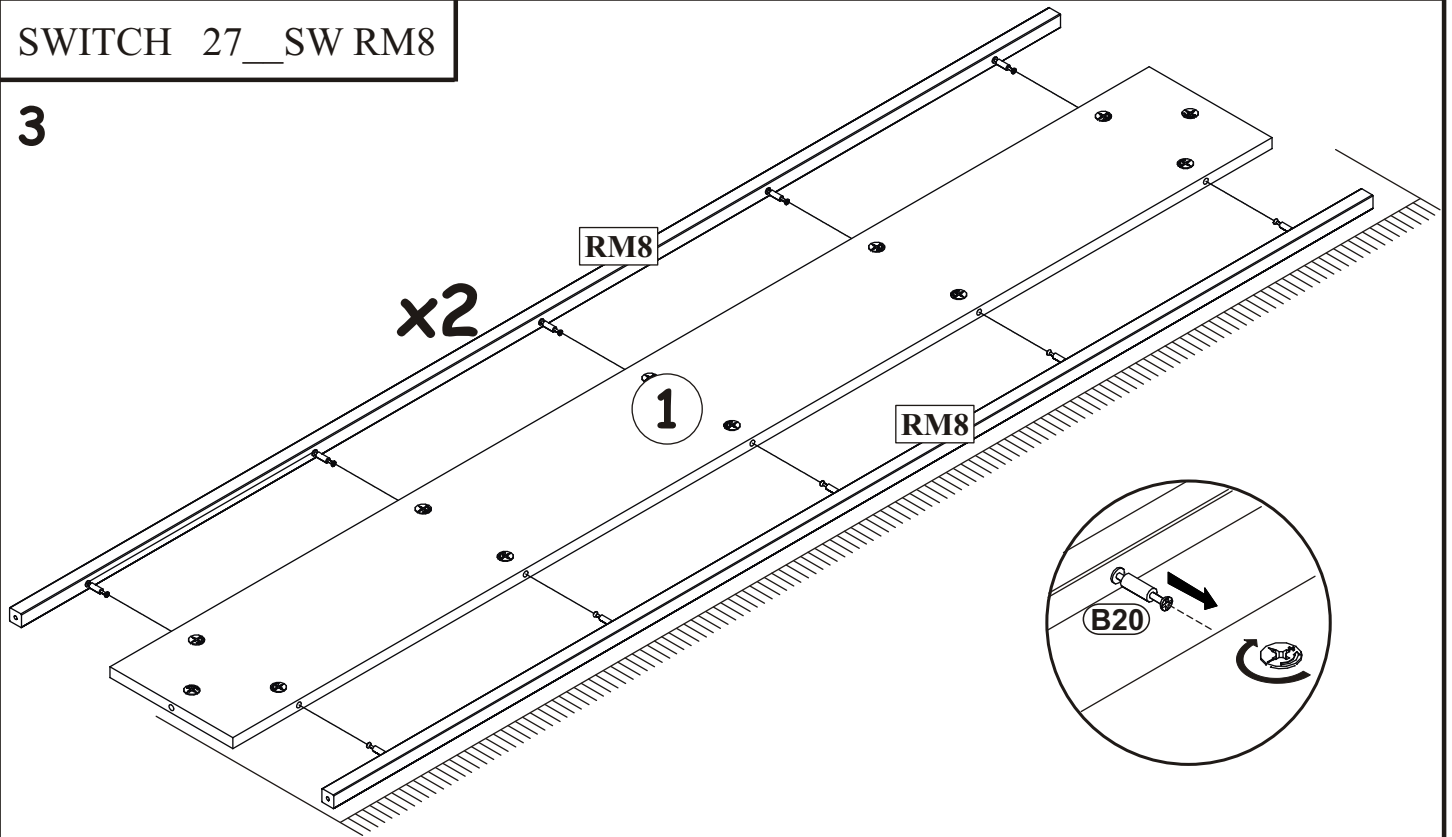
B20

x24

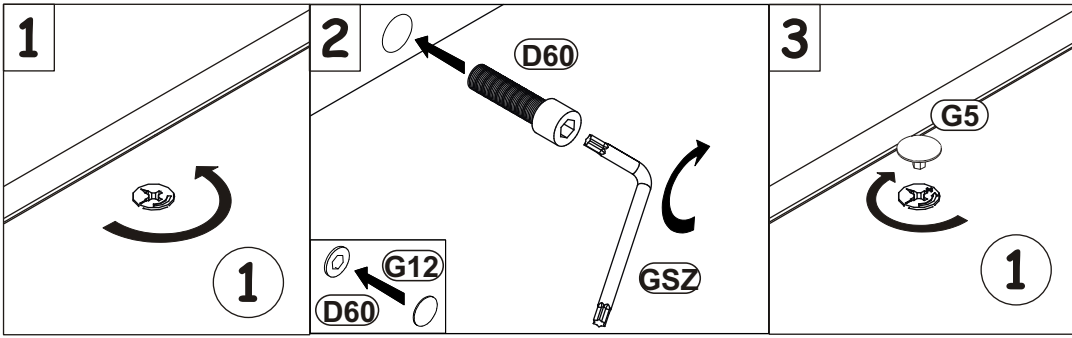


SWITCH 27_SW RM8

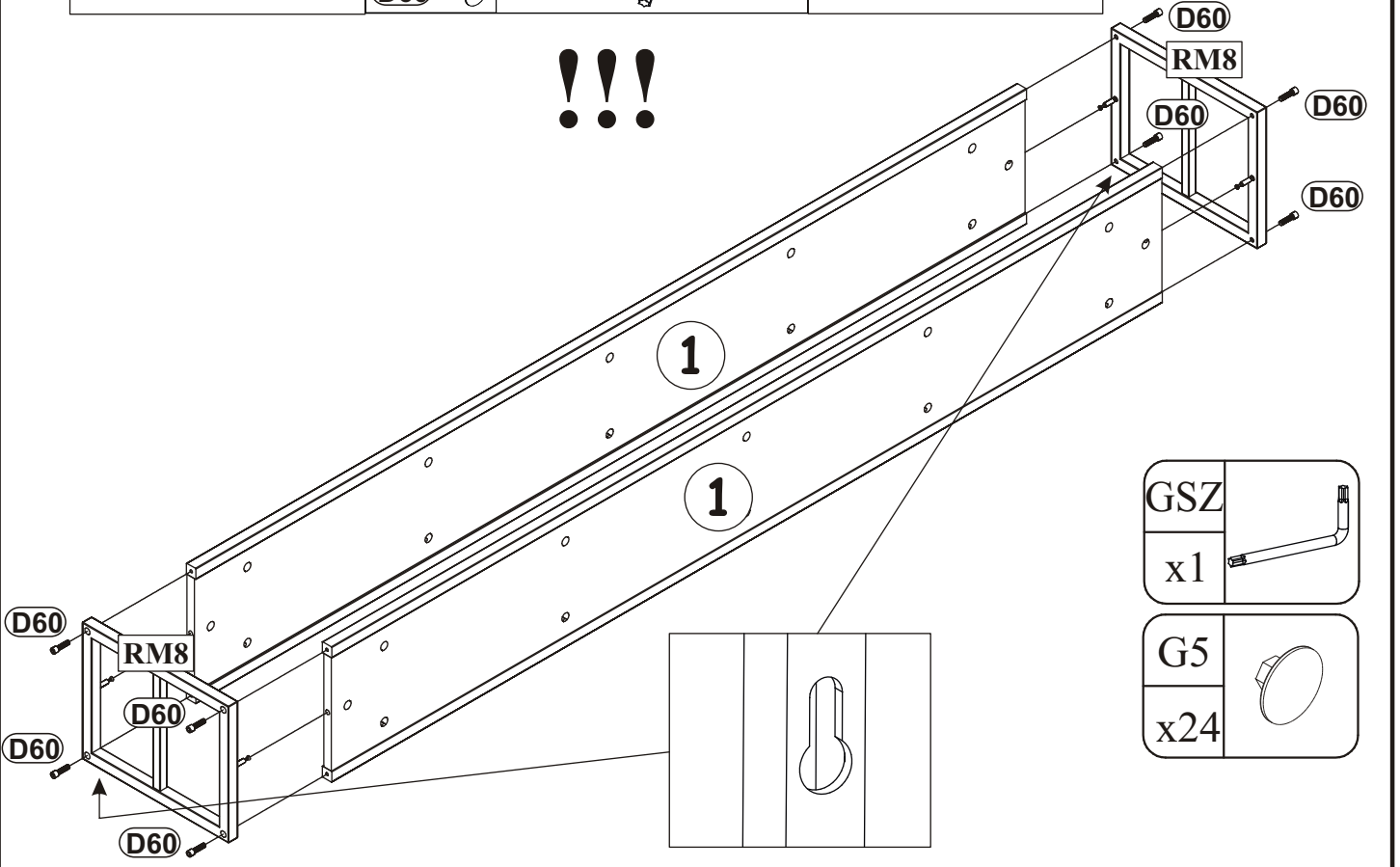
3

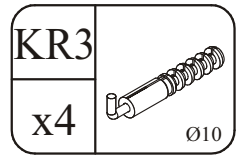


4



!!!





5

