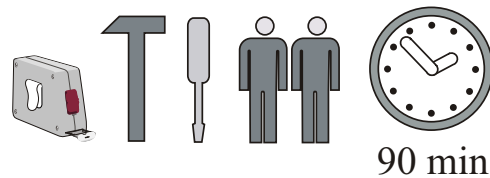
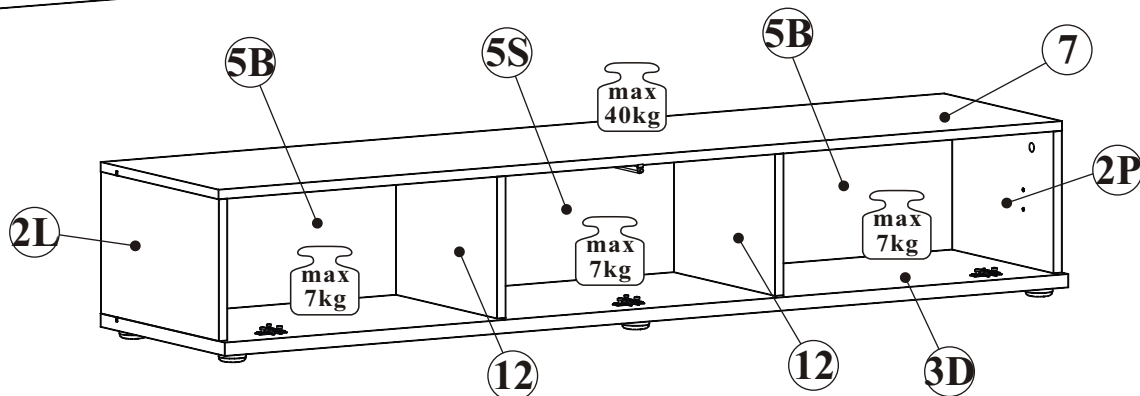
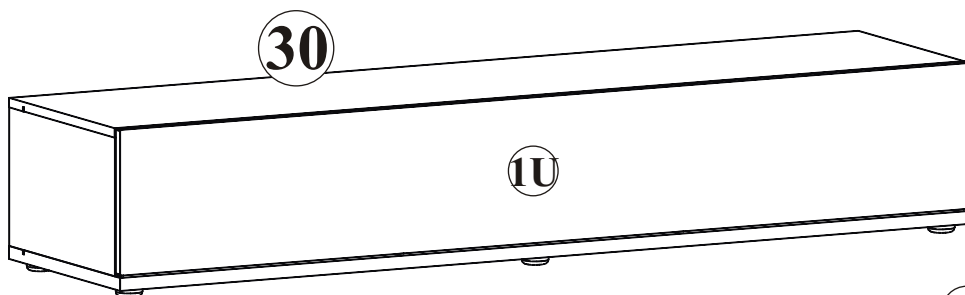
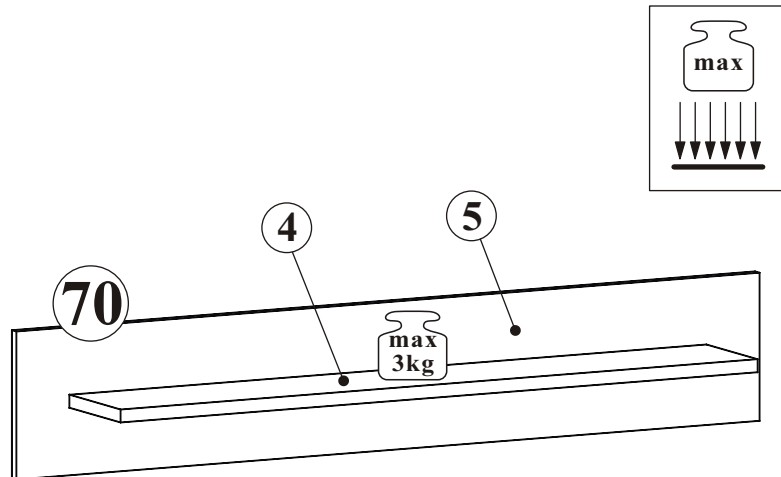
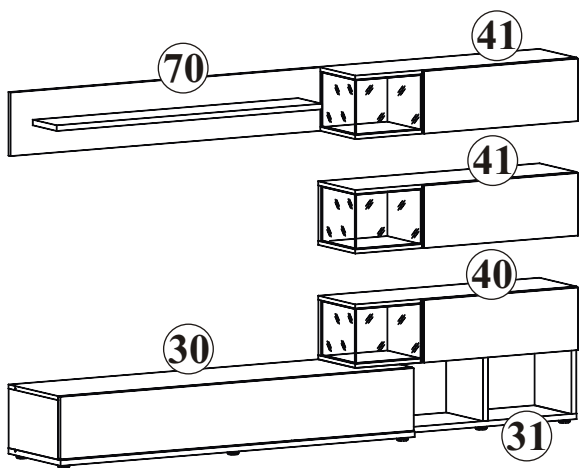
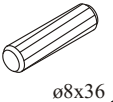
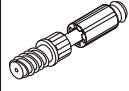




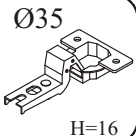
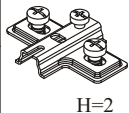



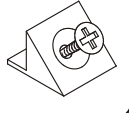
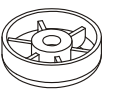
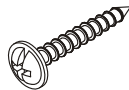
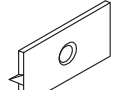


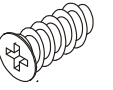
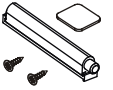
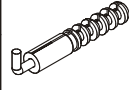
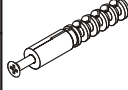
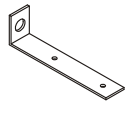



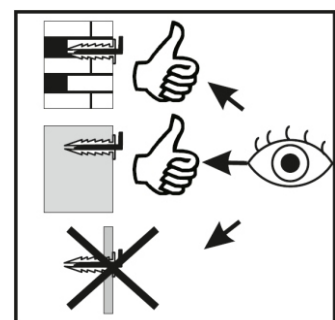
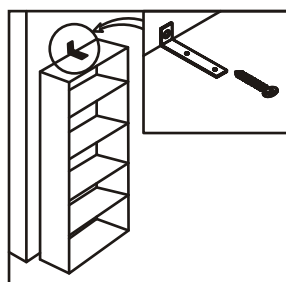
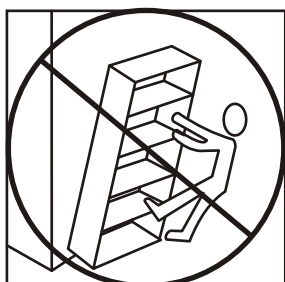
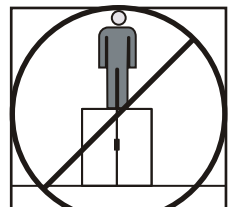
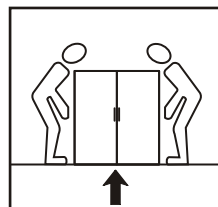
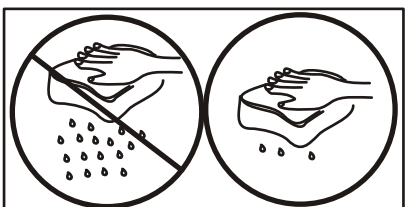
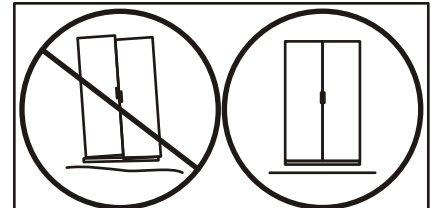
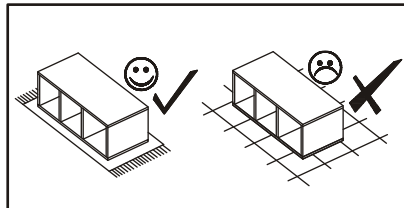
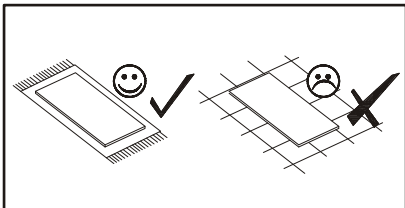
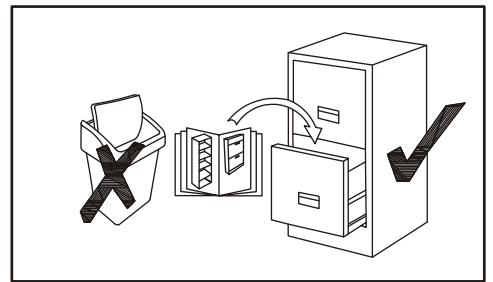
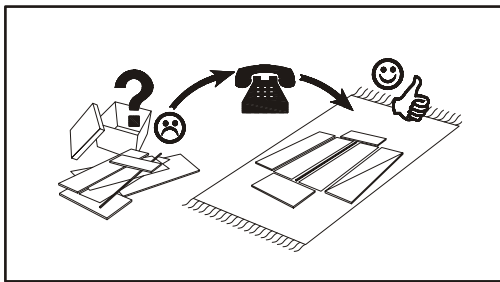
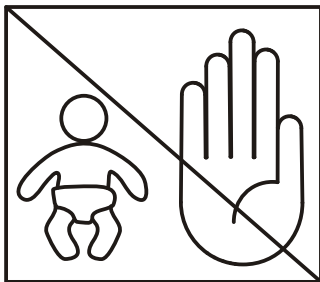
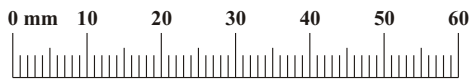
SILK TYP 30, TYP 70



NO	Dim.			Col.-No	Qty
1U	1596	246	16	1 / 3.	1
2L	234	380	16	1 / 3.	1
12	234	326	16	1 / 3.	2
2P	234	380	16	1 / 3.	1
3D	1600	400	22	1 / 3.	1
5B	246	526	3	1 / 3.	2
5S	246	527	3	1 / 3.	1
7	1600	380	16	1 / 3.	1
4	1200	184	22	1 / 3.	1
5	1400	250	16	1 / 3.	1

SILK TYP 30, TYP 70

A1 x20  ø8x36	B4 x8 	B5 x8  Ø15x12	G5 x8 	B11 x13  Ø7x50	G4 x13 
E25 x3  Ø35 H=16	E4 x3  H=2	D10 x16  USØ3,5x13	G21 x2 	D7 x6  USØ3x16	S1 x14 
I11 x6  Ø50, h=25	UP15 x6  UPØ4x25	G16 x2 	UP13 x2  UPØ3x16	ZM1 x3 	D20 x6  ESØ6x9,5
OD2 x2 	KR2 x3 	KR1 x1 	L1 x1 	G2 x1 	



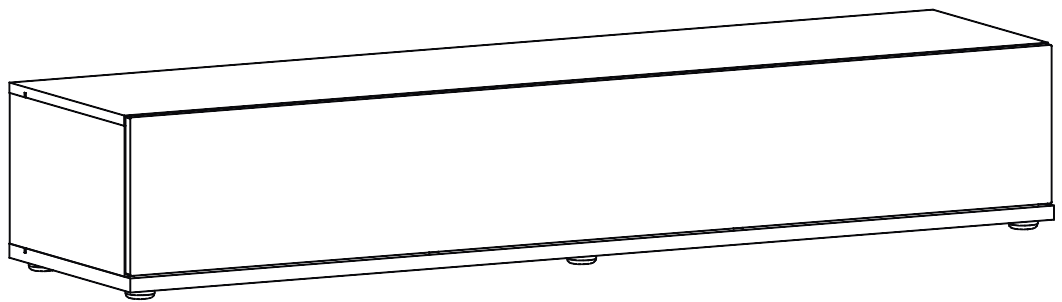
1 - 4

70



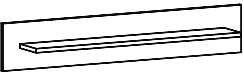
5 - 15

30

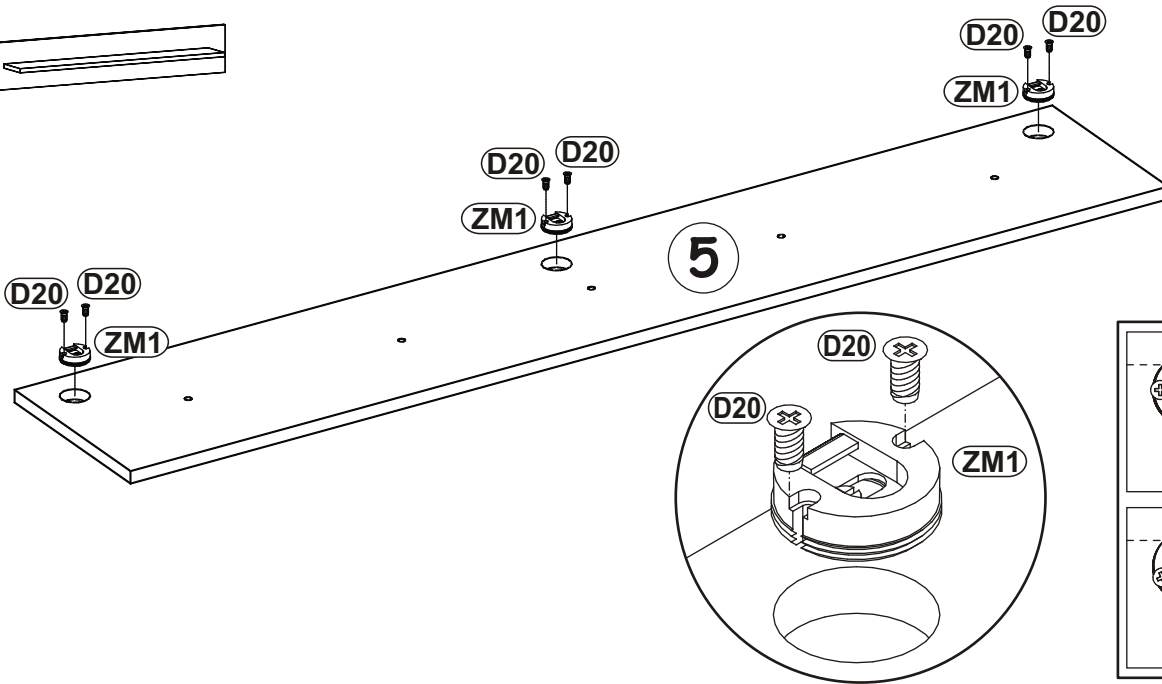


SILK TYP 70

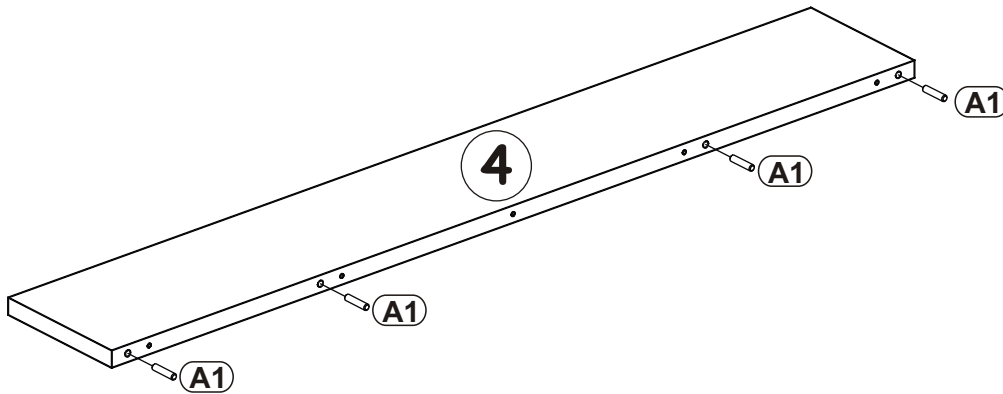
1



ZM1		D20	
x3		x6	ESØ6x9,5

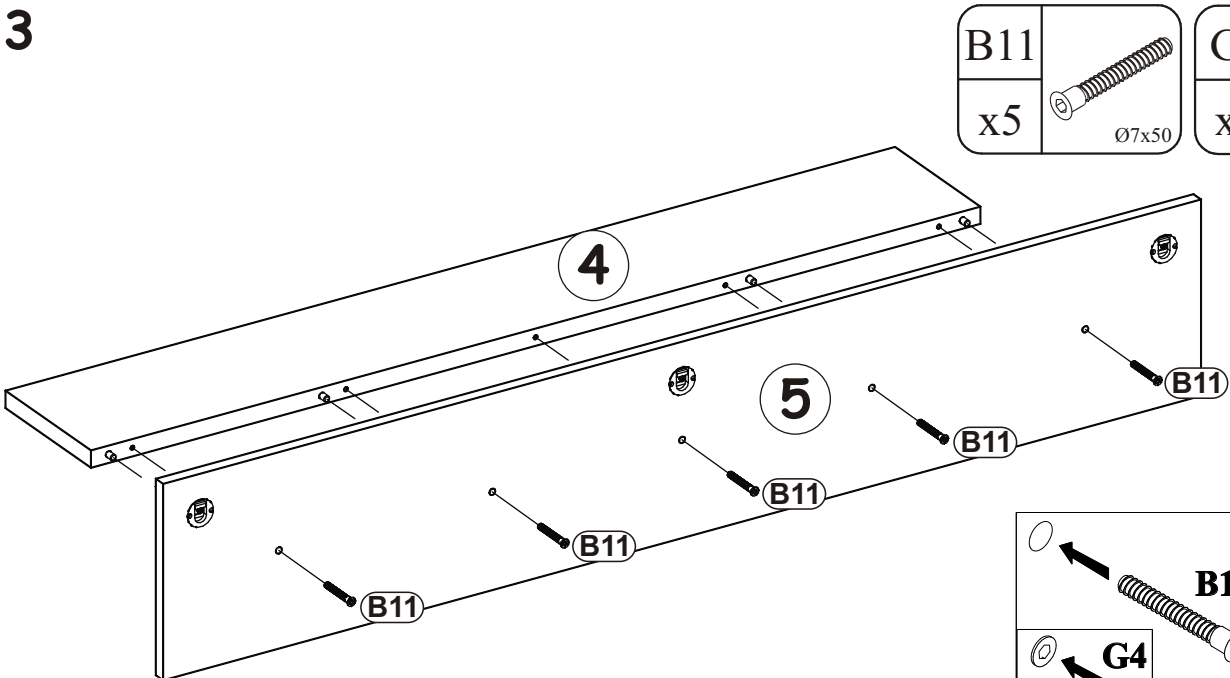


2

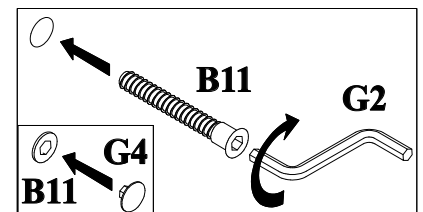


A1	
x4	ø8x36

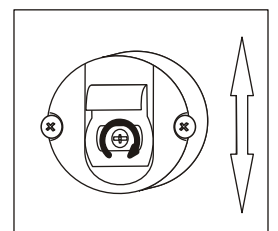
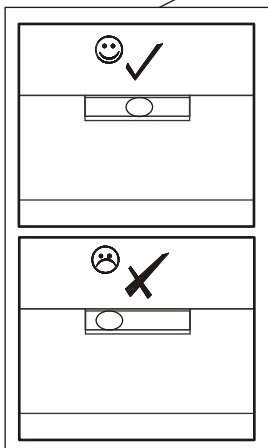
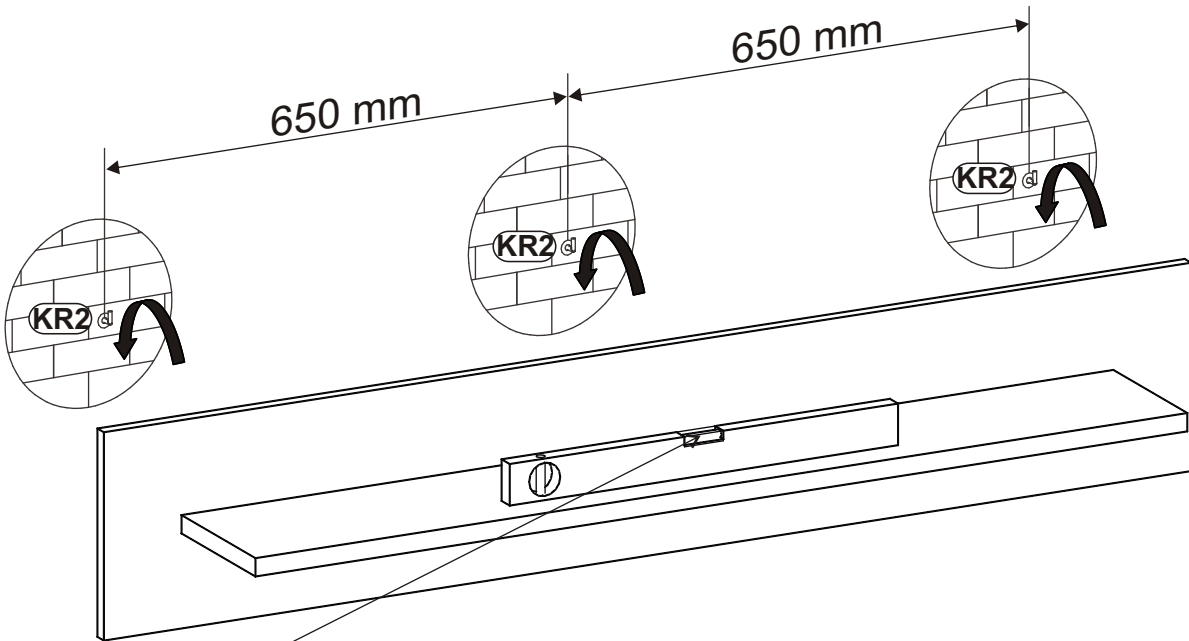
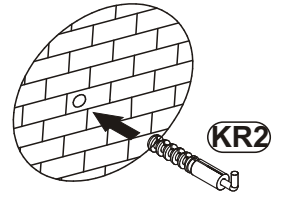
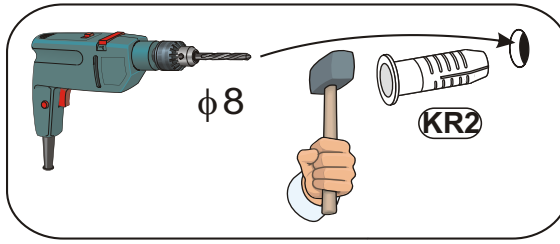
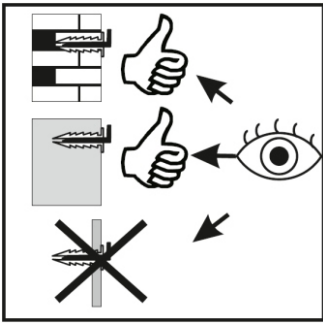
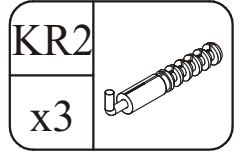
3



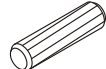
B11		G4	
x5	Ø7x50	x5	

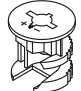


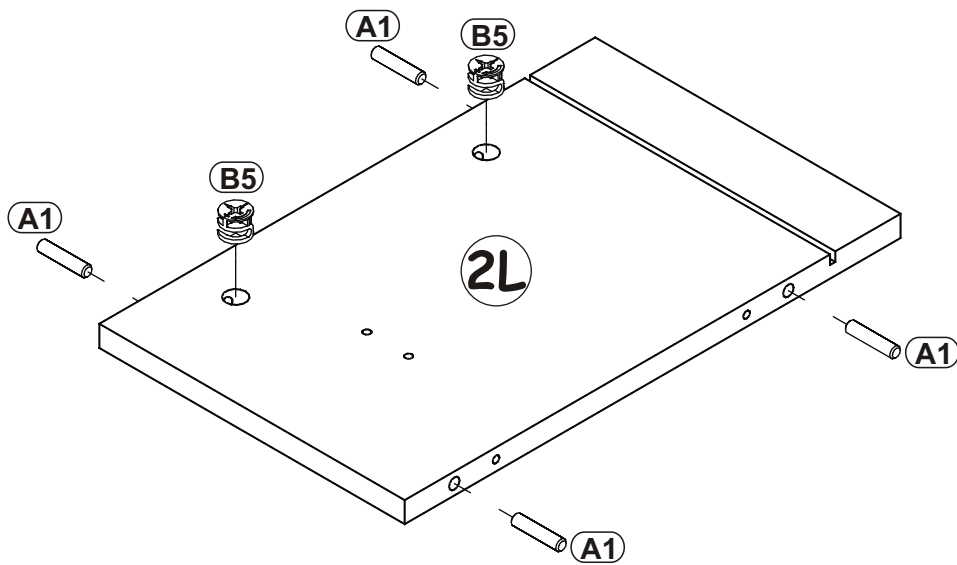
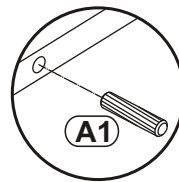
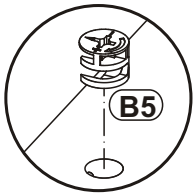
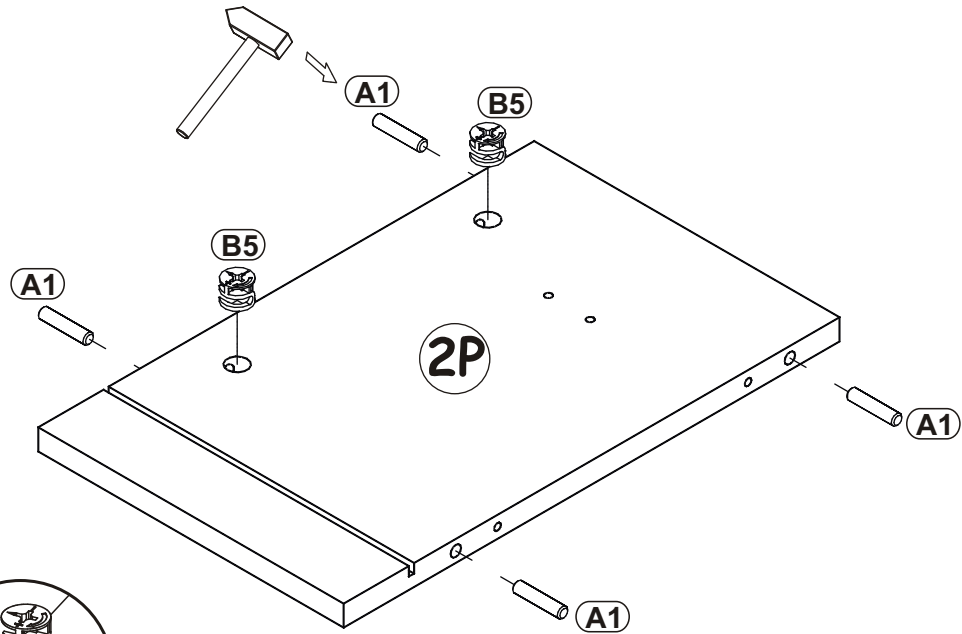
4

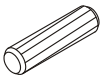



5

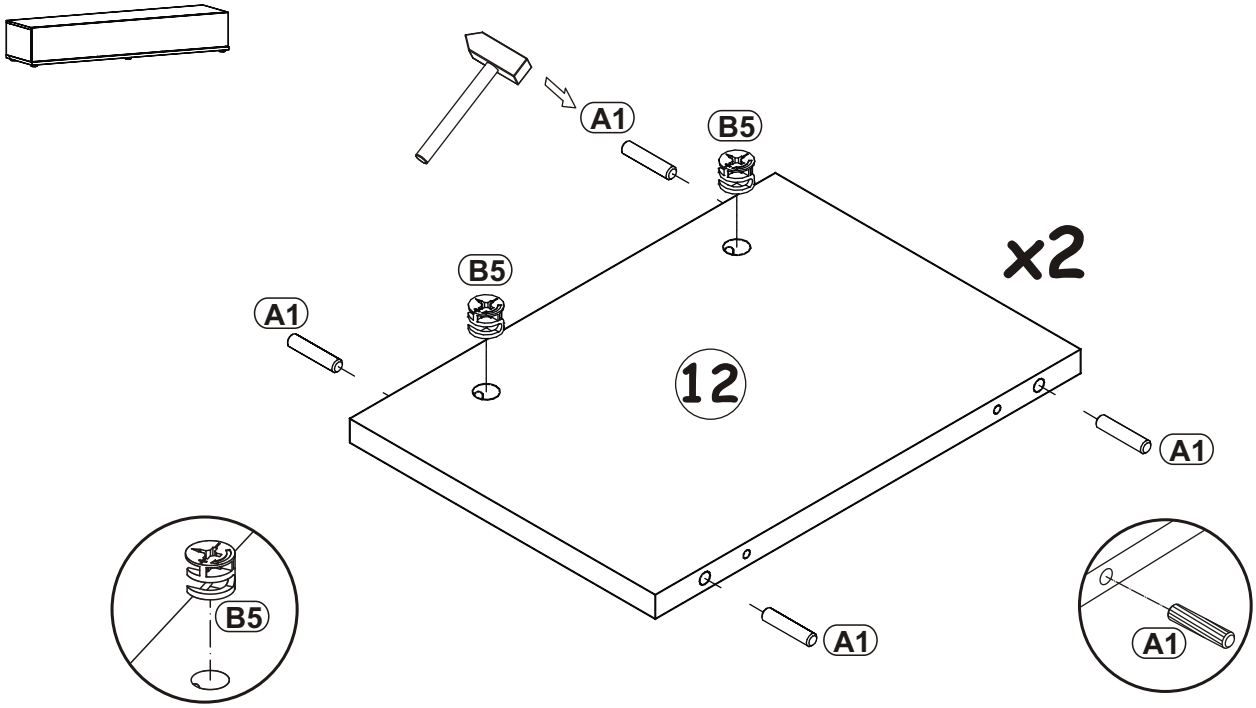
A1	
x8	ø8x36

B5	
x4	Ø15x12

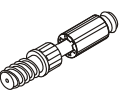


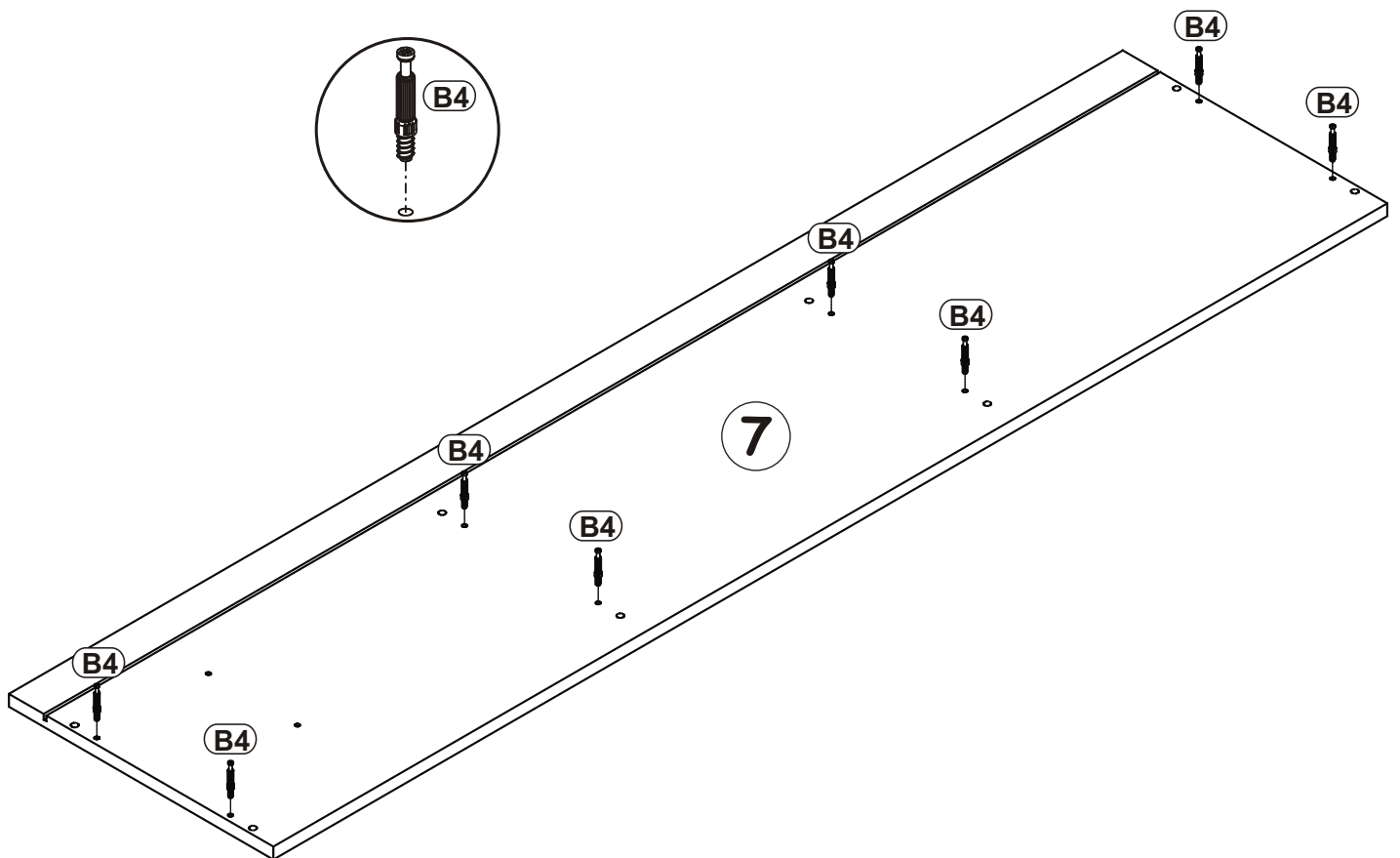
A1		B5	
x8	ø8x36	x4	Ø15x12

6

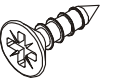


7

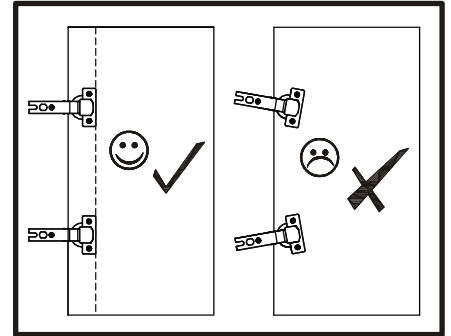
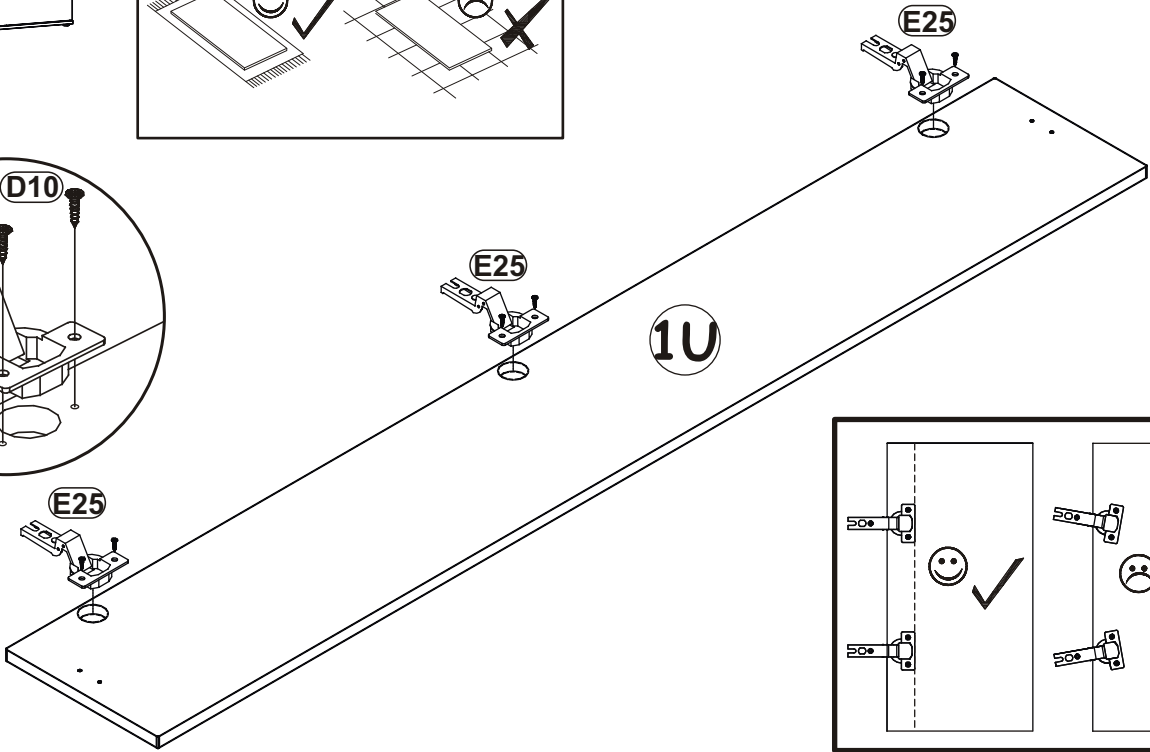
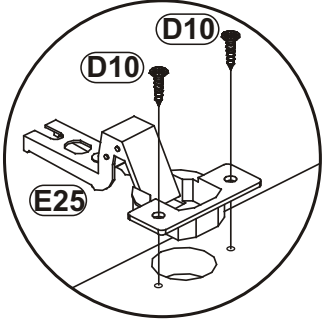
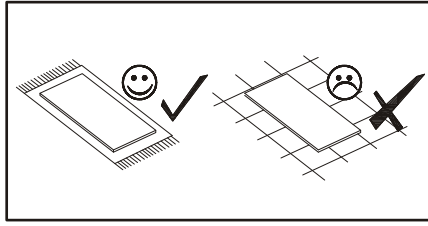
B4	
x8	





SILK TYP 30

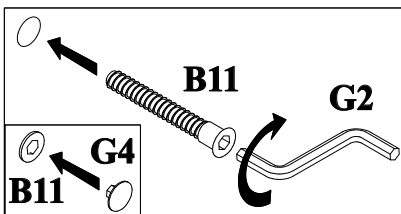
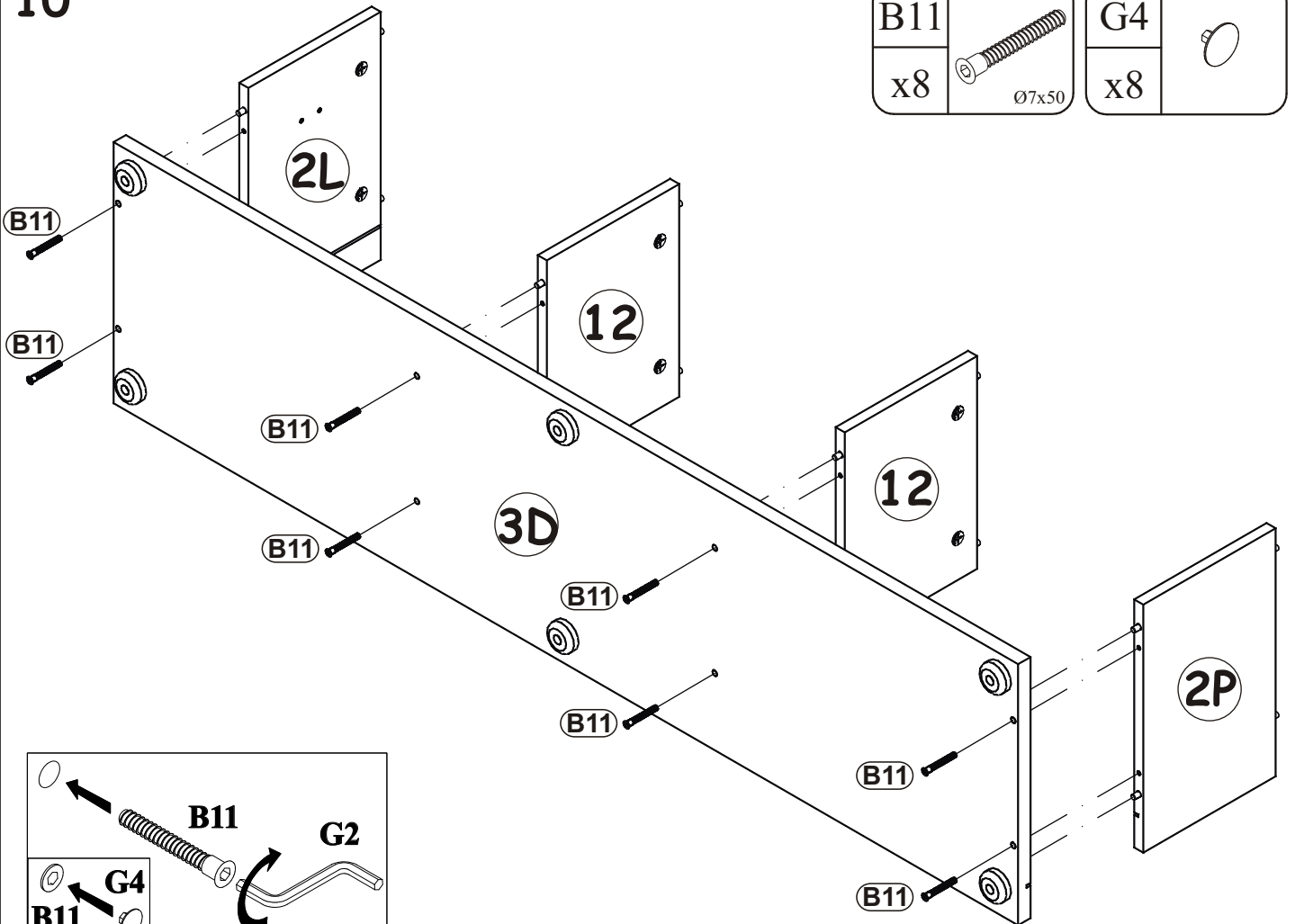
E25	Ø35 H=16	D10	 USØ3,5x13
x3		x6	

9



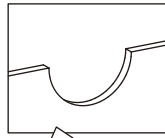
10

B11	 Ø7x50	G4	
x8		x8	



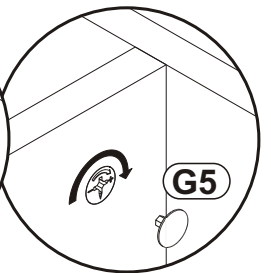
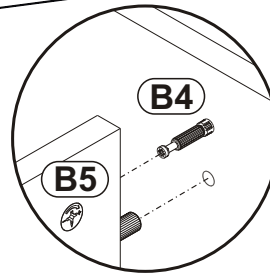
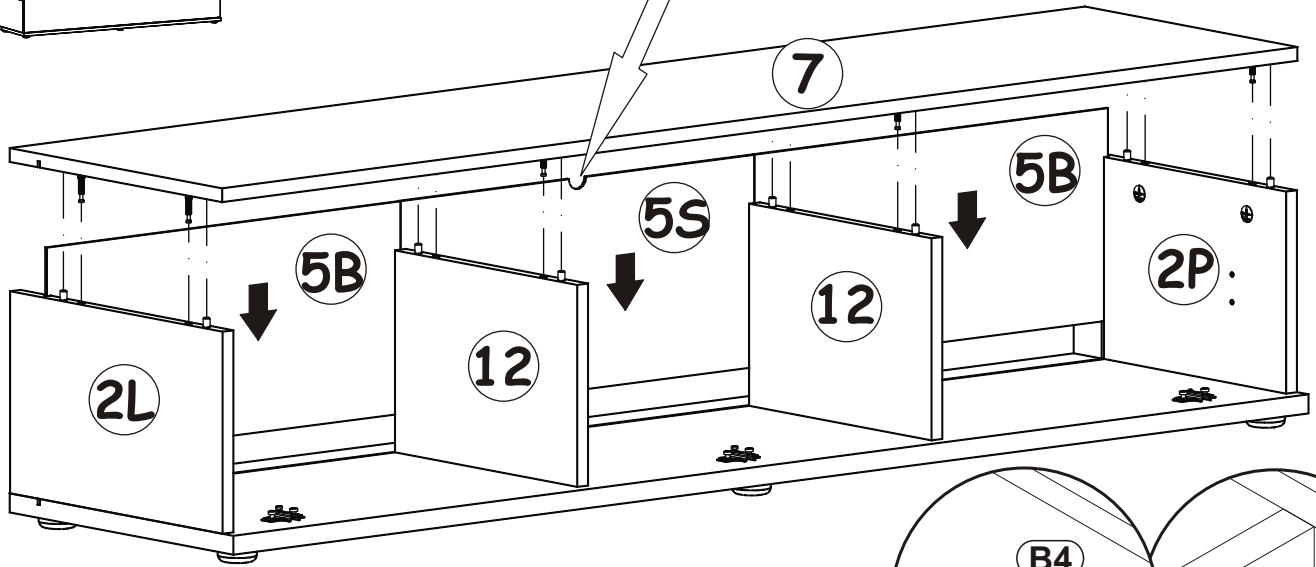
SILK TYP 30

11



G5

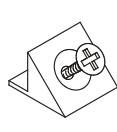
x8



12

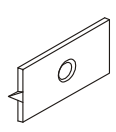
S1

x14



G16

x2



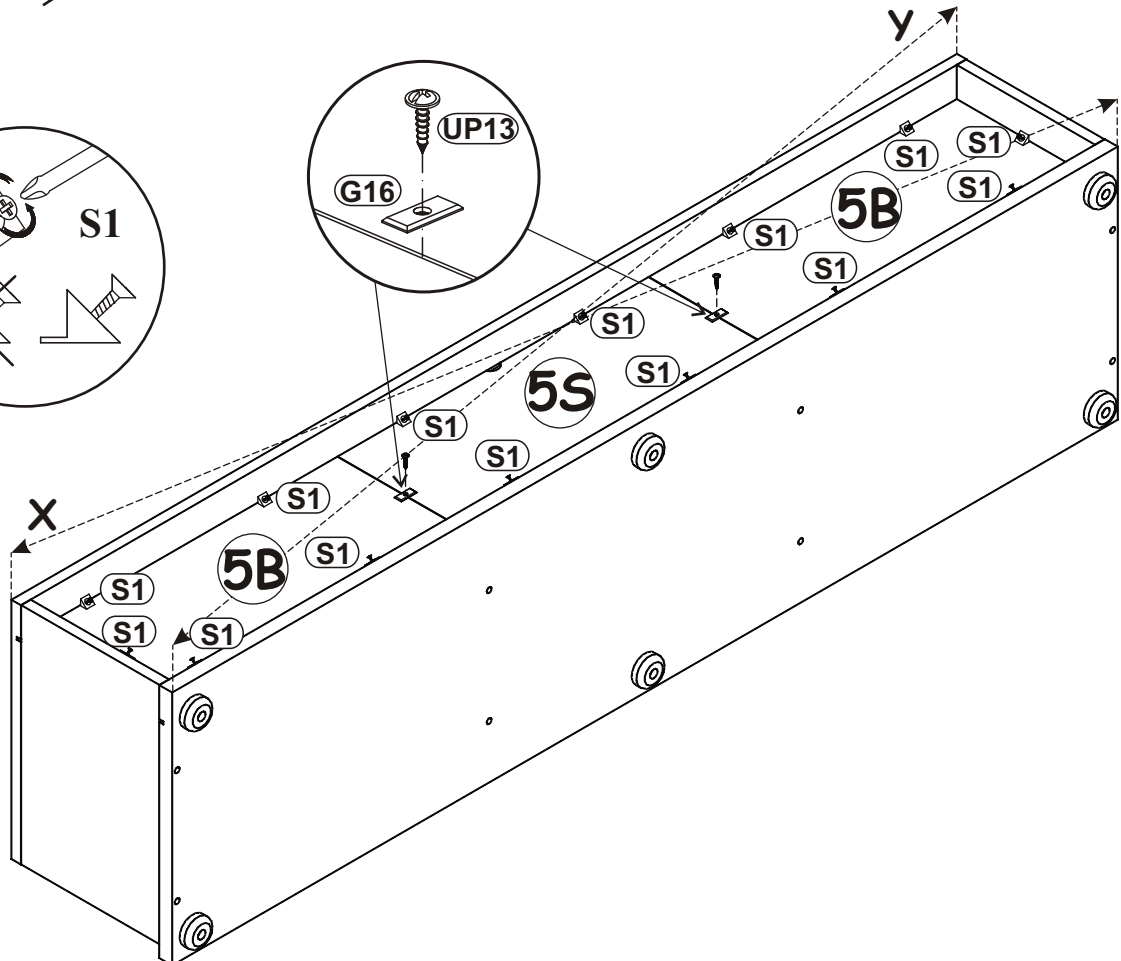
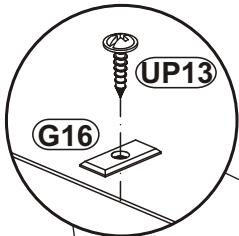
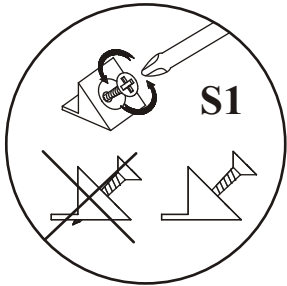
UP13

x2



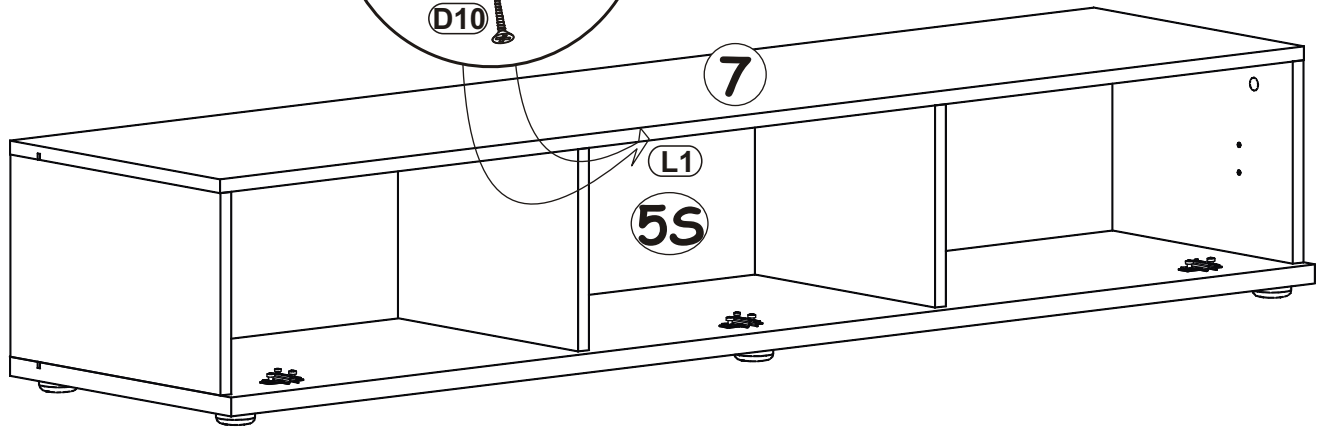
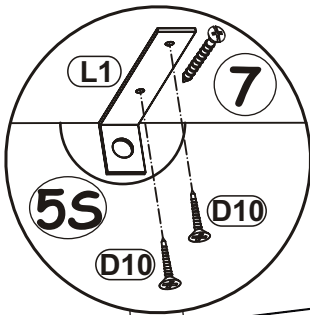
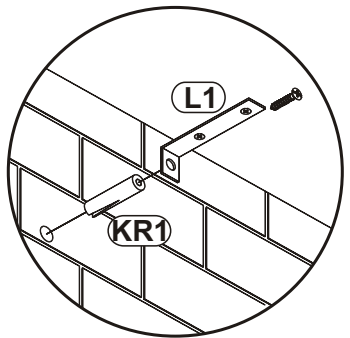
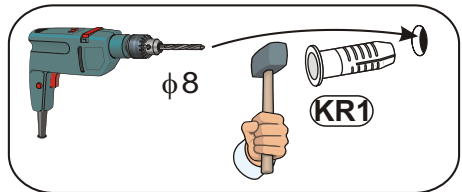
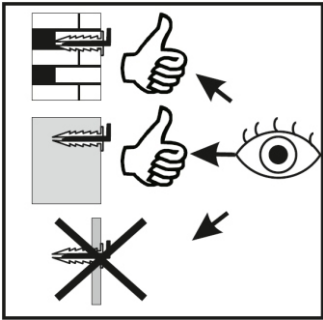
UPØ3x16

X=y 90°

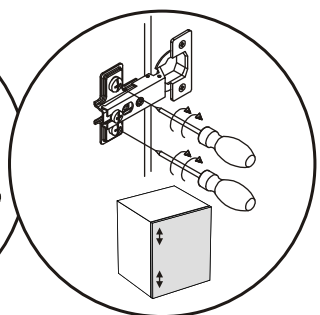
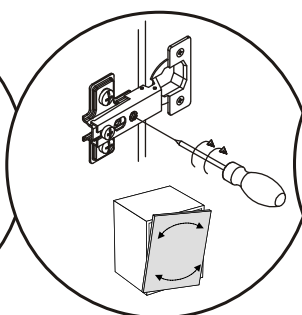
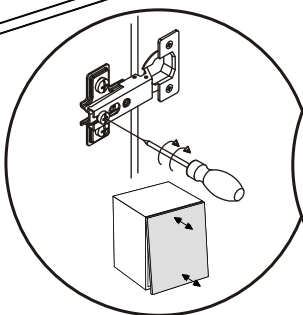
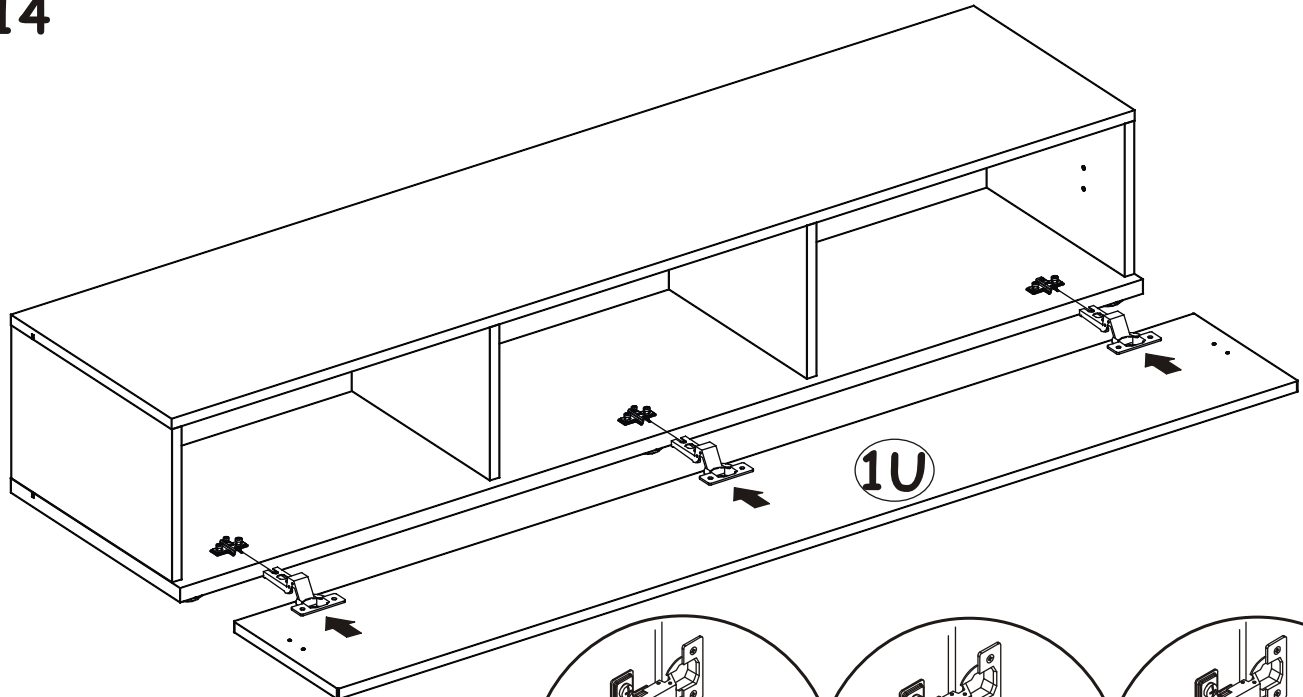


L1		KR1		D10	
x1		x1		x2	USØ3,5x13

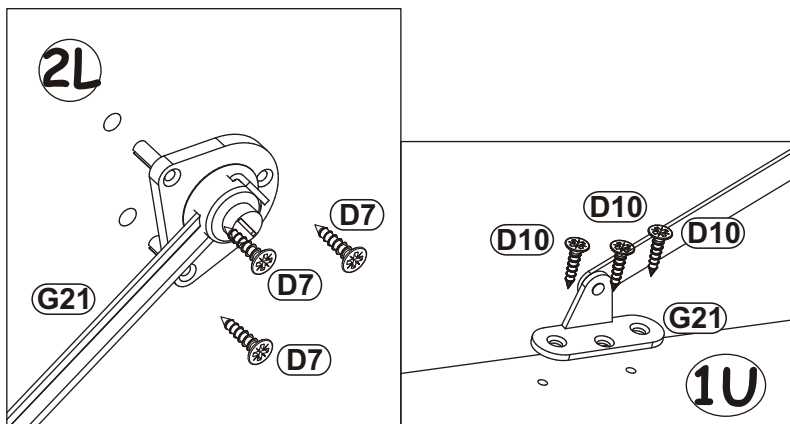
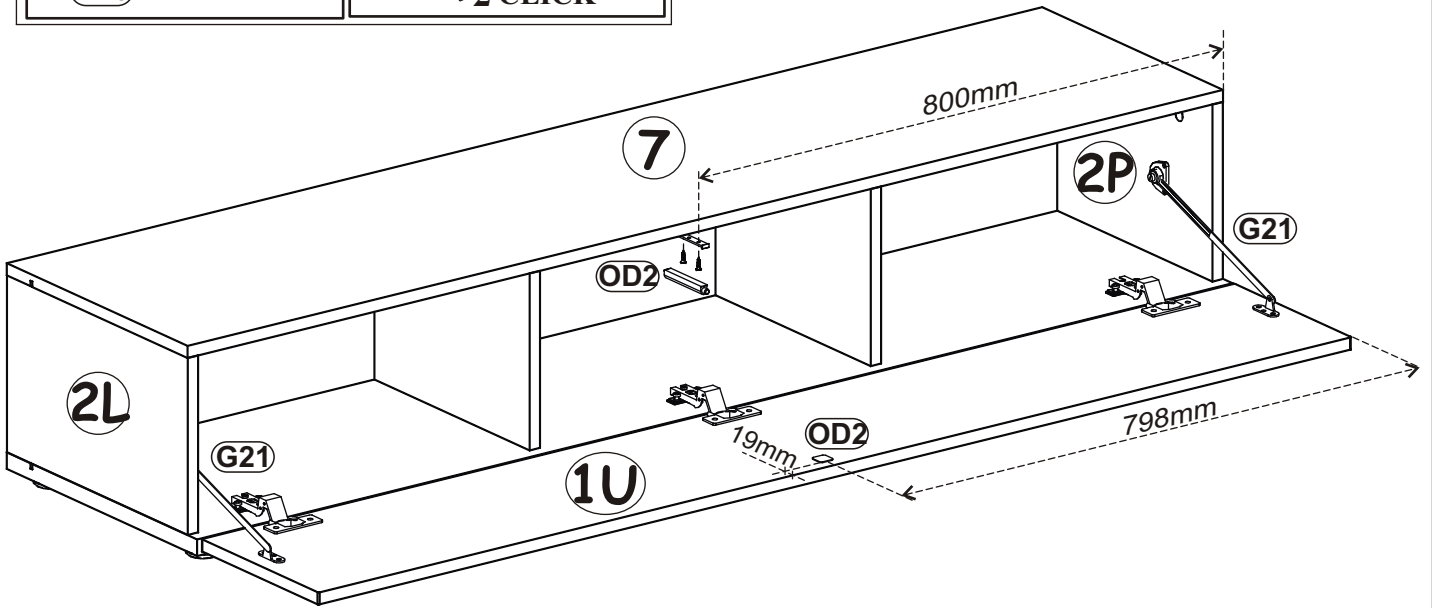
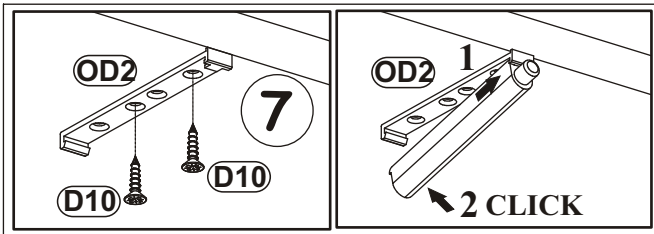
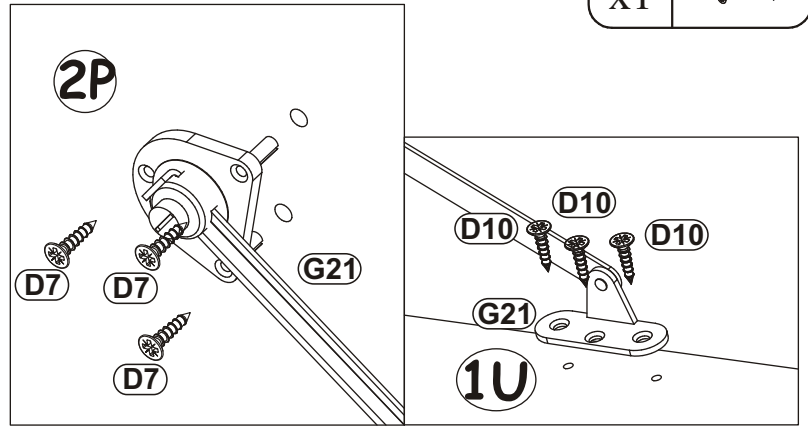
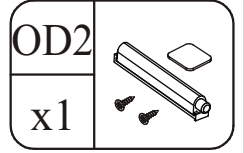
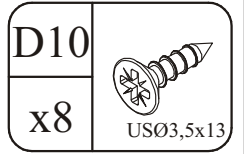
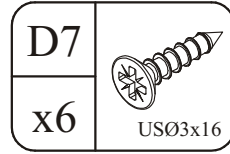
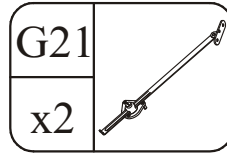
13



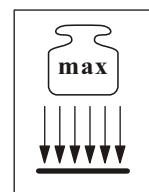
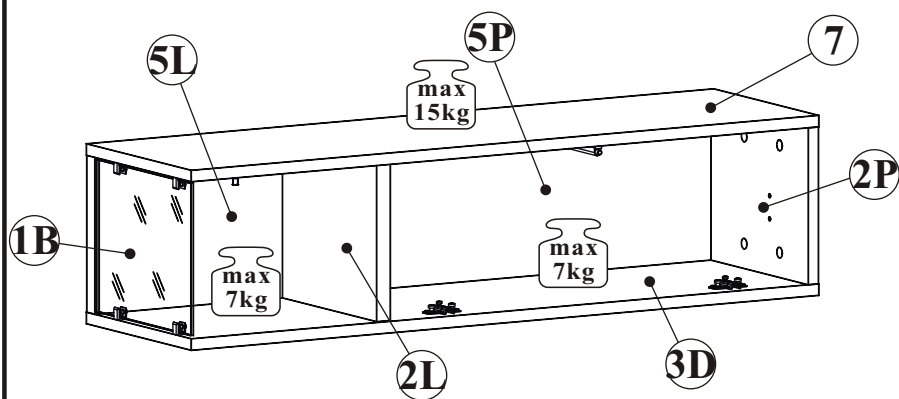
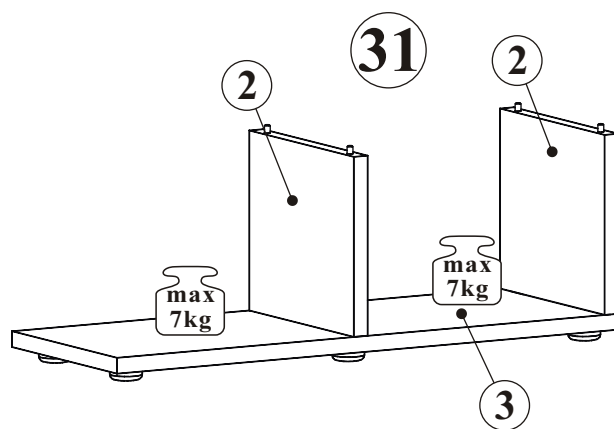
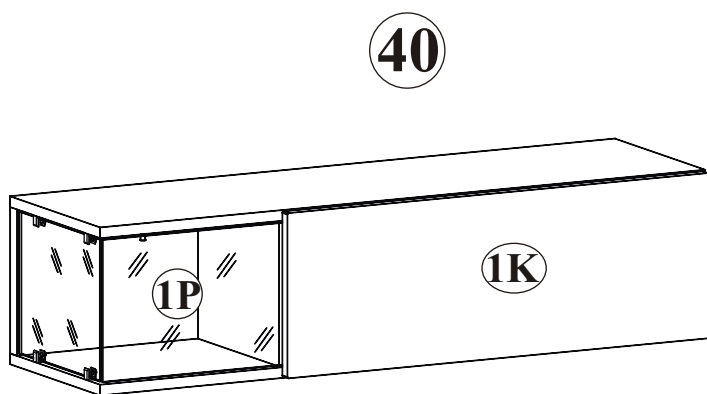
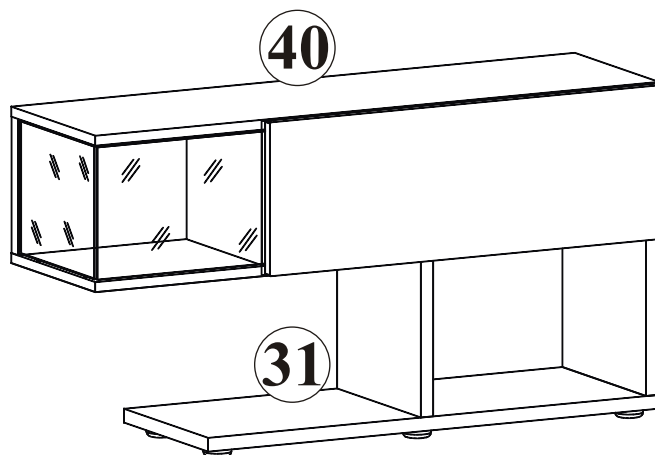
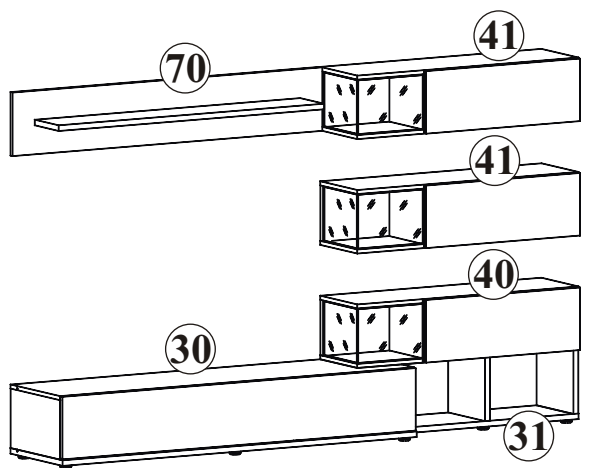
14



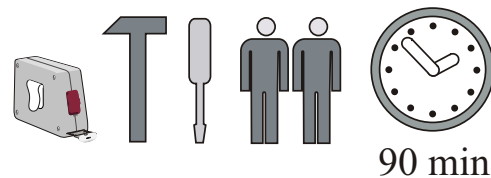
15



SILK TYP 31, TYP 40

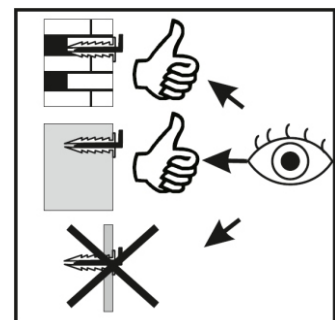
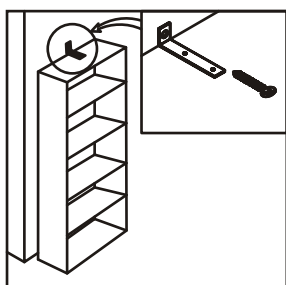
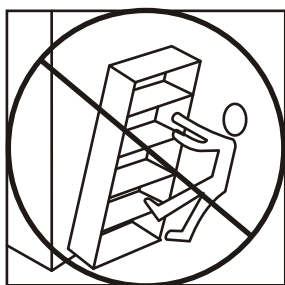
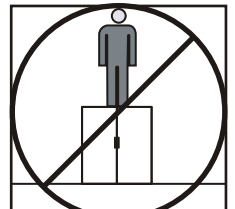
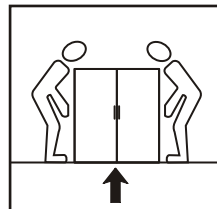
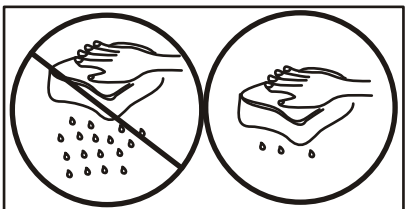
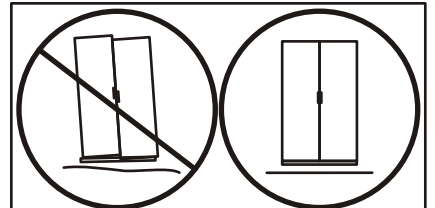
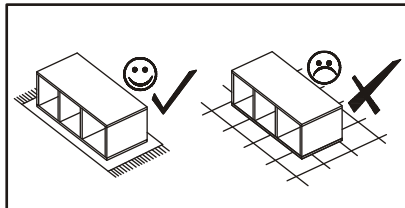
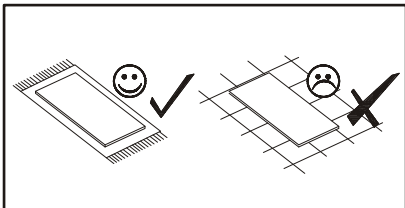
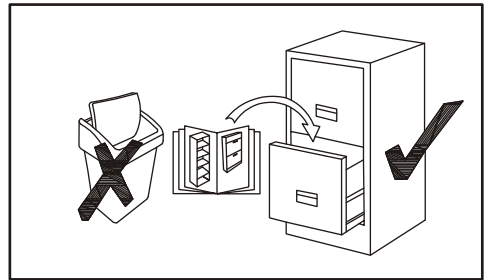
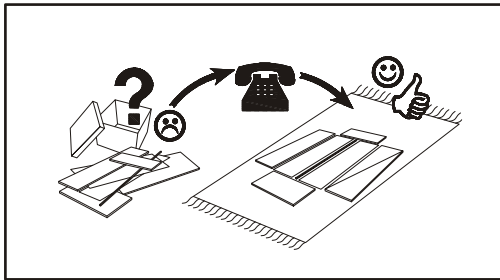
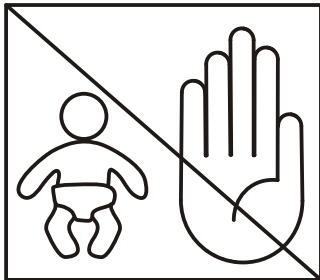
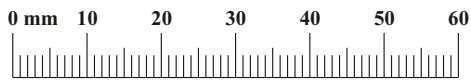


NO	Dim.			Col.-No	Qty
1K	696	246	16	2 / 3.	1
1P	212	318	4	2 / 3.	1
1B	212	255	4	2 / 3.	1
2	250	283	22	4 / 3.	2
2L	277	218	22	5 / 3.	1
2P	218	284	16	2 / 3.	1
3	800	284	22	2 / 3.	1
3D	1000	284	16	2 / 3.	1
5L	299	218	22	2 / 3.	1
5P	230	674	3	2 / 3.	1
7	1000	284	16	2 / 3.	1



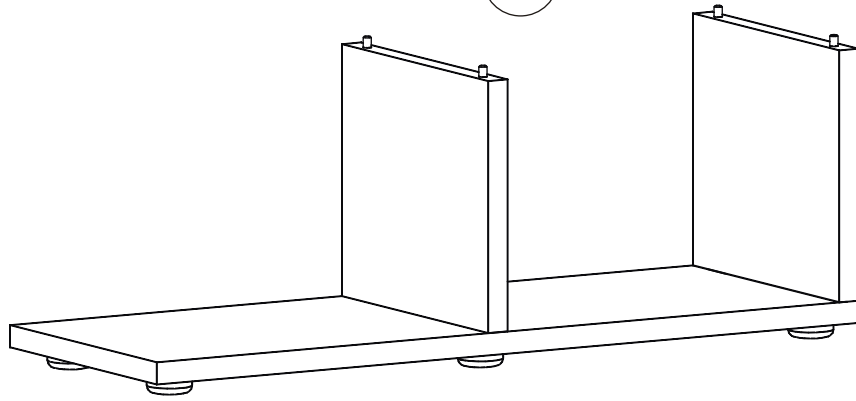
SILK TYP 31, TYP 40

A1 x20 ø8x36	B4 x12	B5 x4 Ø15x12	B16 x8 Ø15x16	G5 x12	B11 x4 Ø7x50
E21 x2 Ø35 H=0	E2 x2 H=0	D10 x11 USØ3,5x13	G21 x1	D7 x3 USØ3x16	G4 x4
I11 x6 Ø50, h=25	UP15 x6 UPØ4x25	G20 x1	G32 x4	P2 x3	UP13 x3 UPØ3x16
S1 x6	OD2 x1	KR1 x1	L1 x1	G2 x1	UP6 x2 UPØ4x30



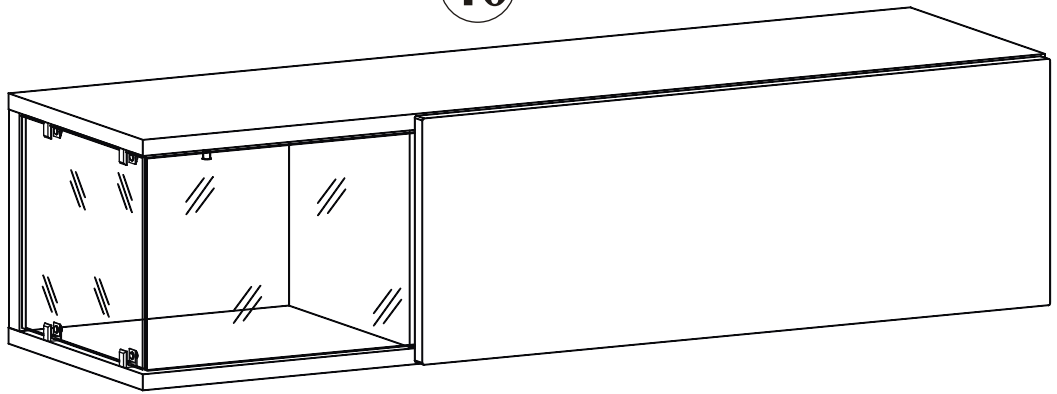
1 - 3

31



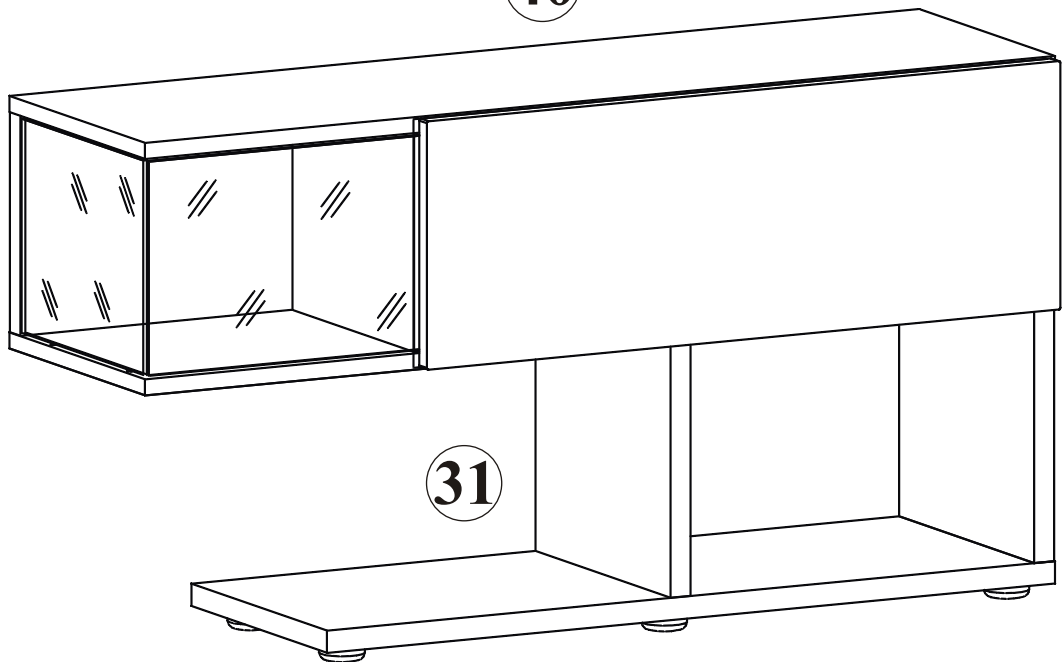
4 - 15

40



16 - 17

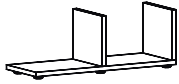
40

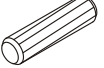


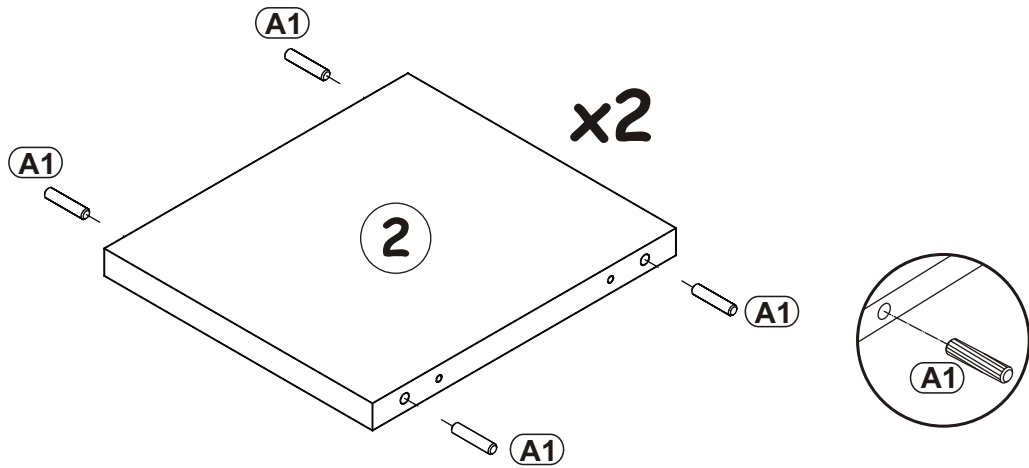
31

SILK TYP 31


1




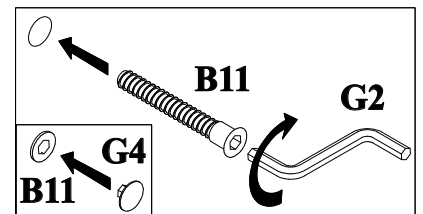
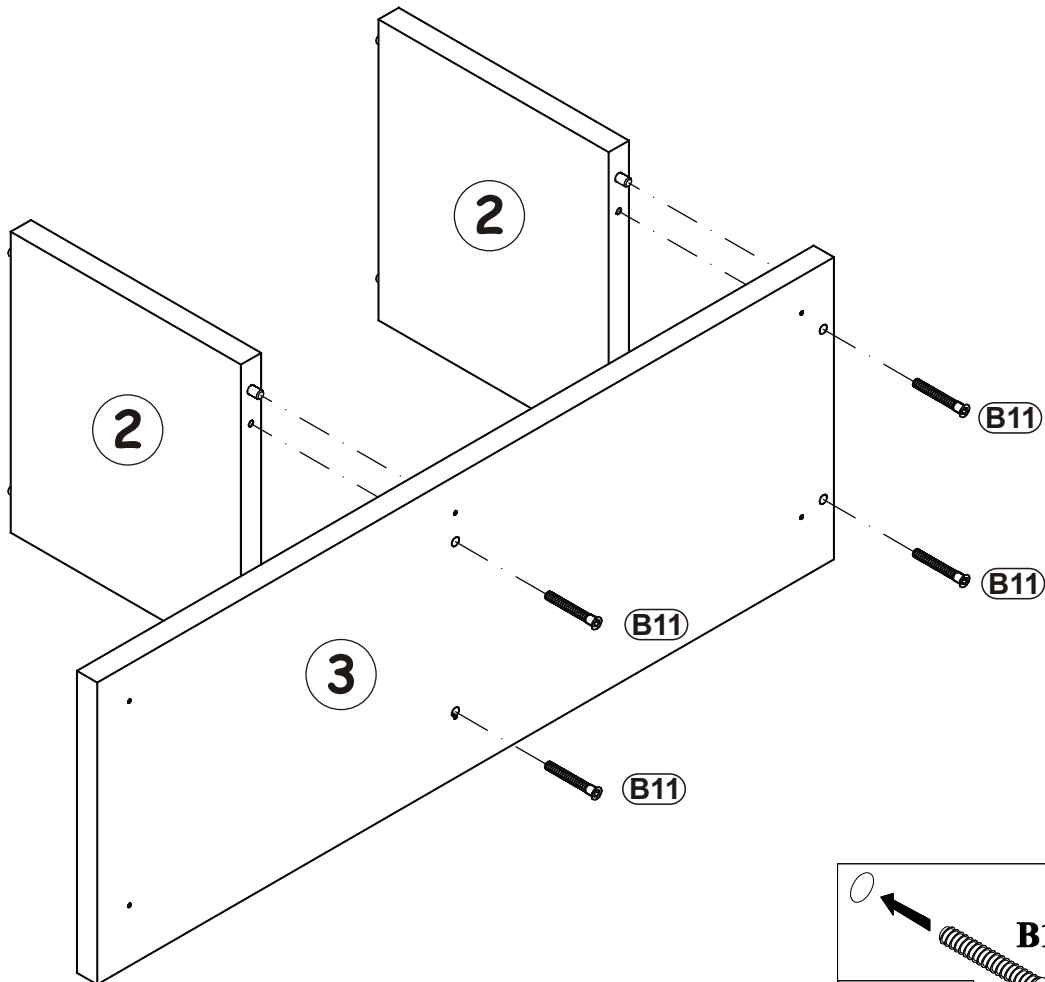
A1	
x8	ø8x36



2

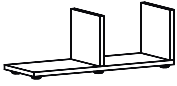
B11	
x4	Ø7x50

G4	
x4	

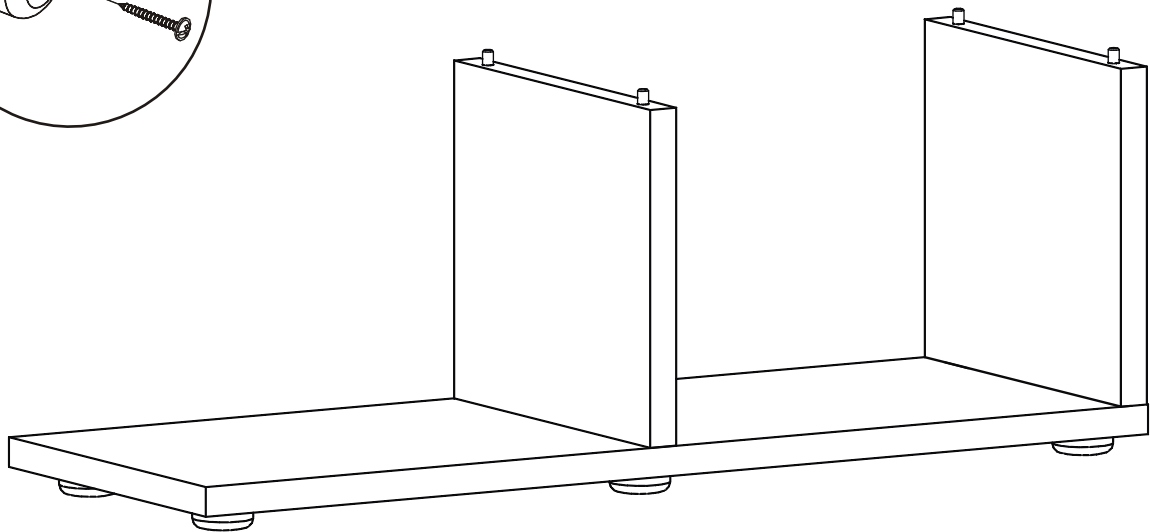
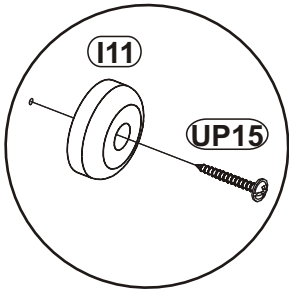
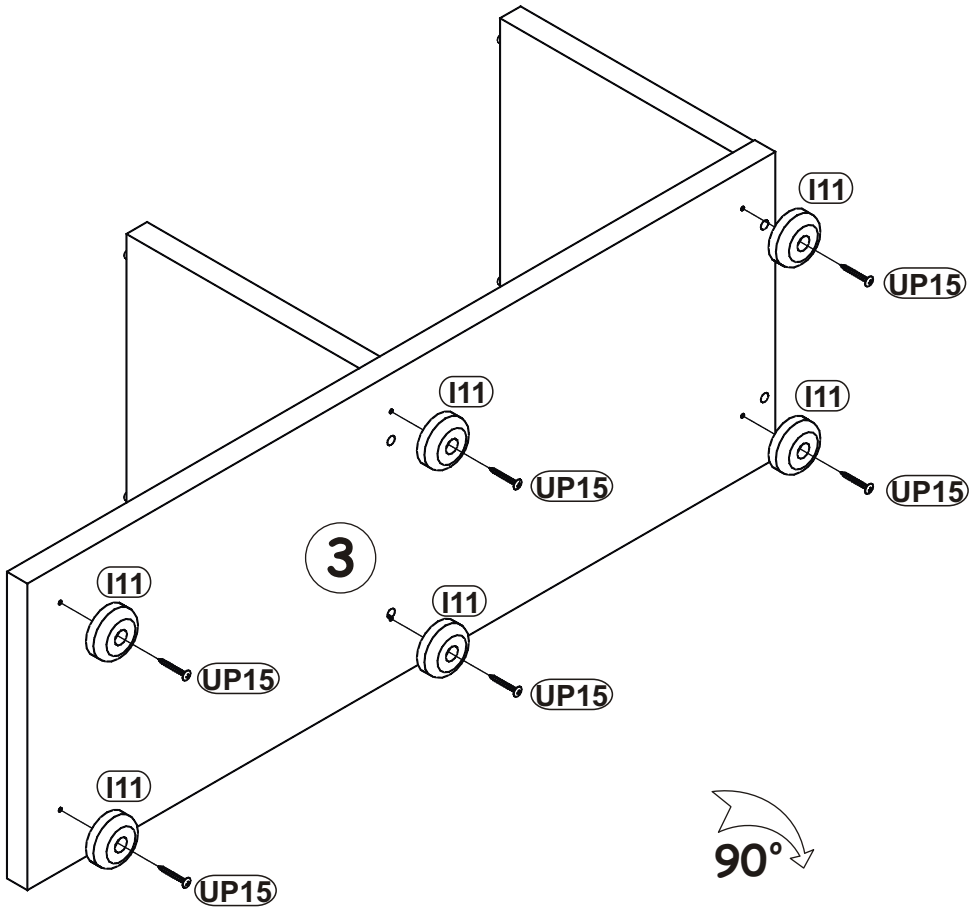


SILK TYP 31

3

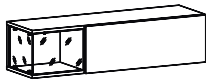


I11		UP15	
x6	Ø50, h=25	x6	UPØ4x25



SILK TYP 40

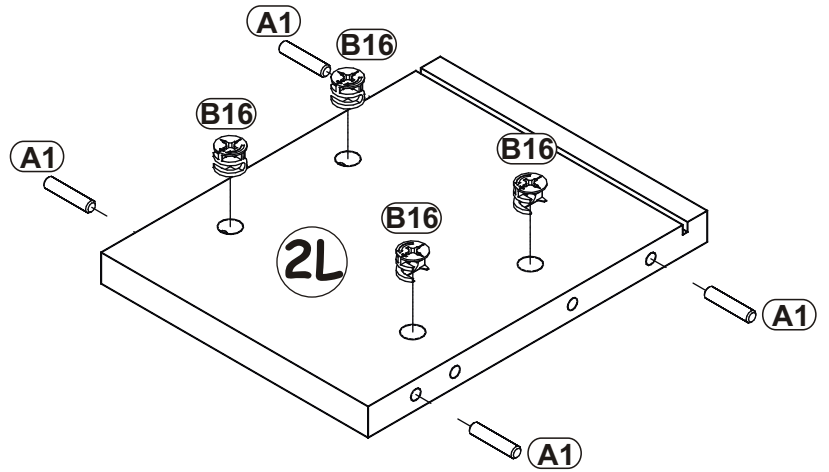
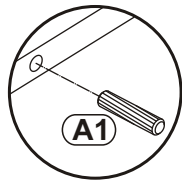
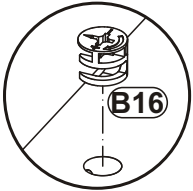
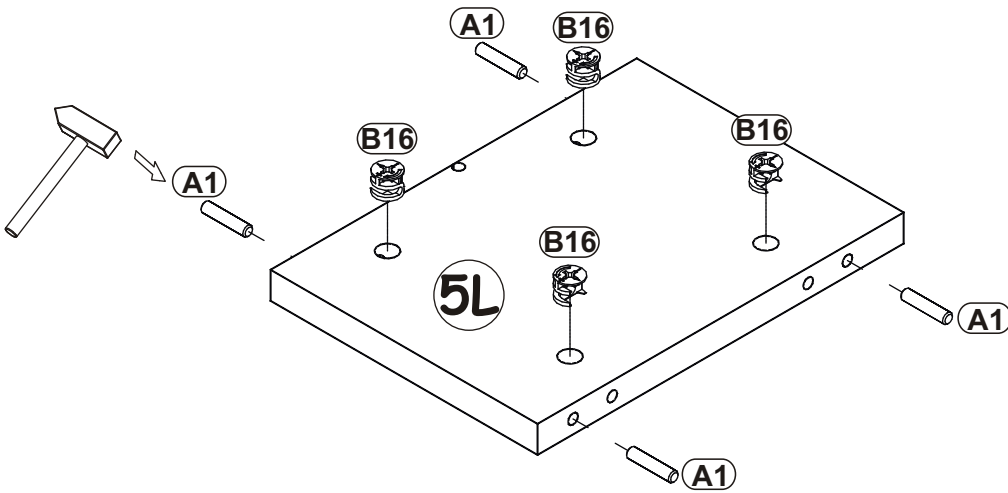
4



A1	
x8	ø8x36

B16	
x8	Ø15x16

12mm		16mm	
	B5		B16

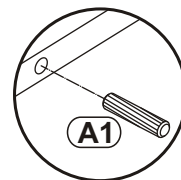
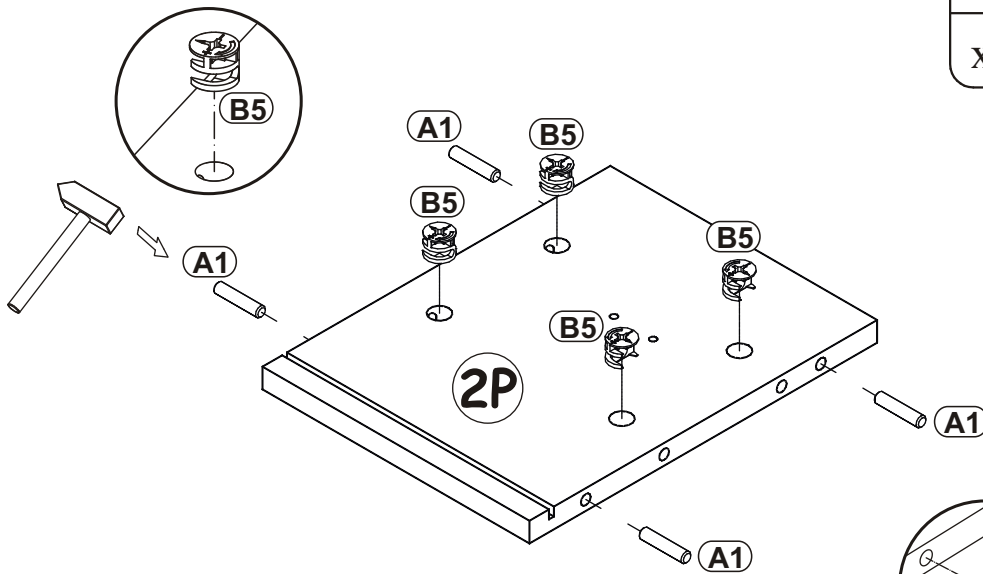


5

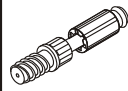

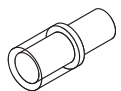
A1	
x4	ø8x36

B5	
x4	Ø15x12

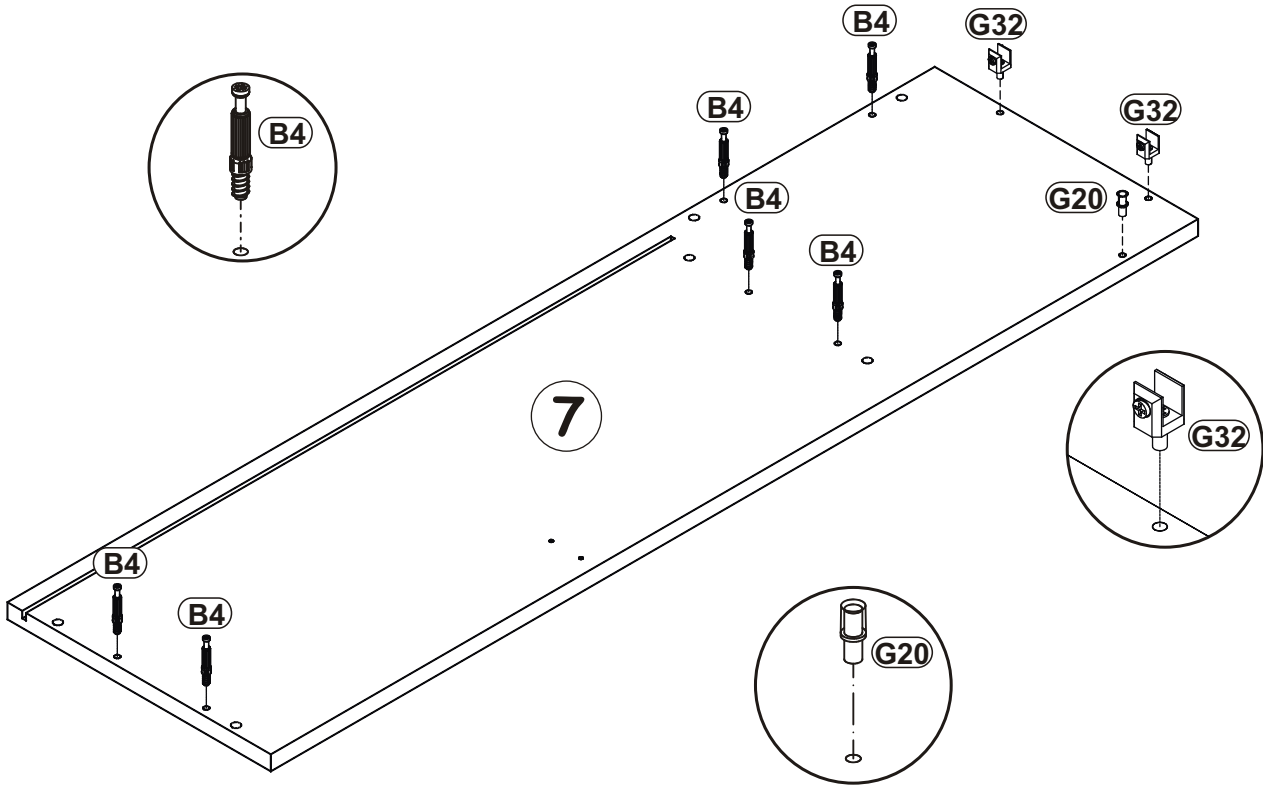
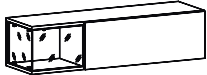
12mm		16mm	
	B5		B16



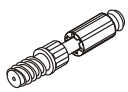
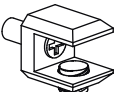
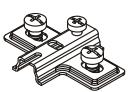
SILK TYP 40

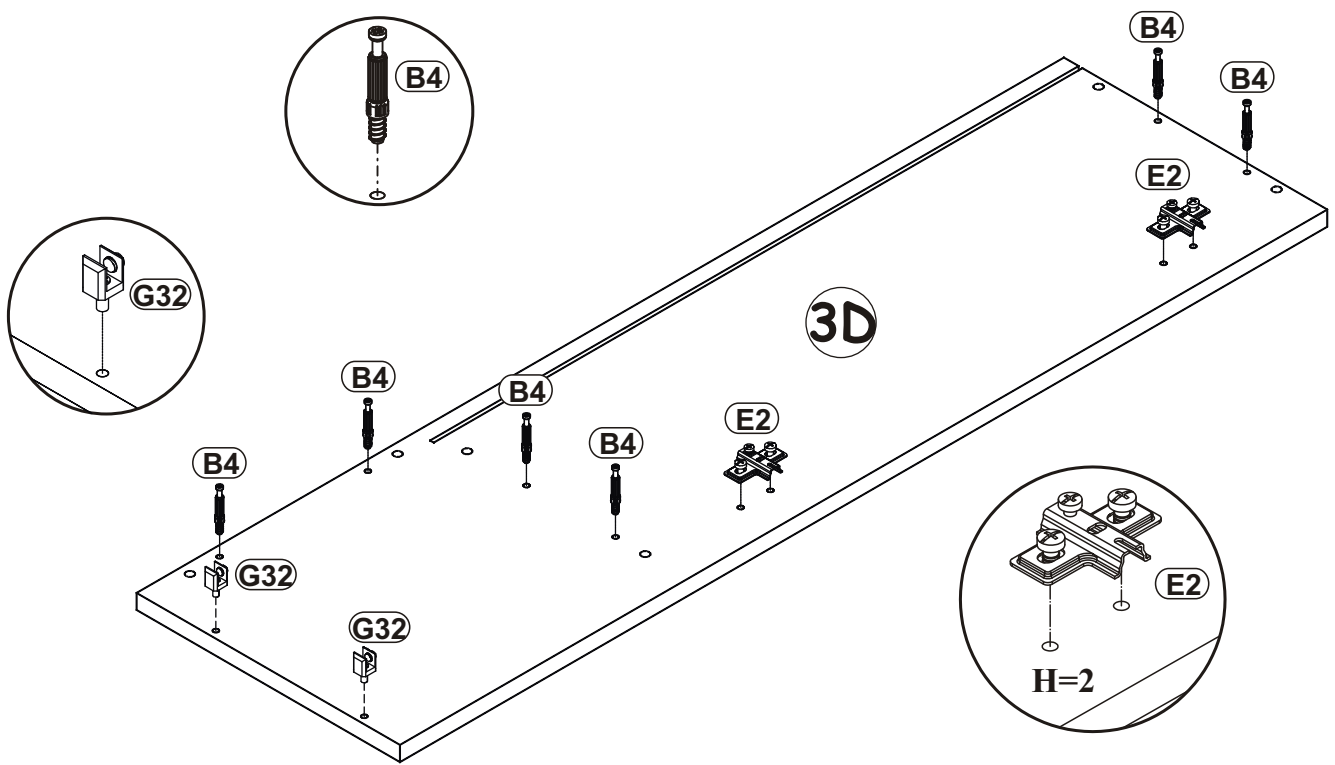
B4		G32		G20	
x6		x2		x1	

6

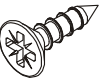


7

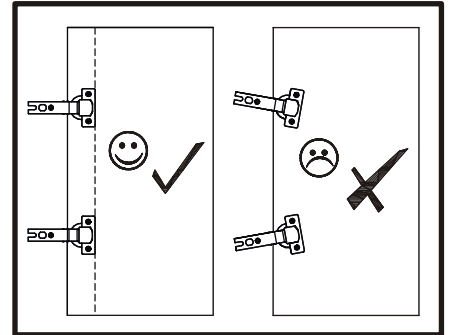
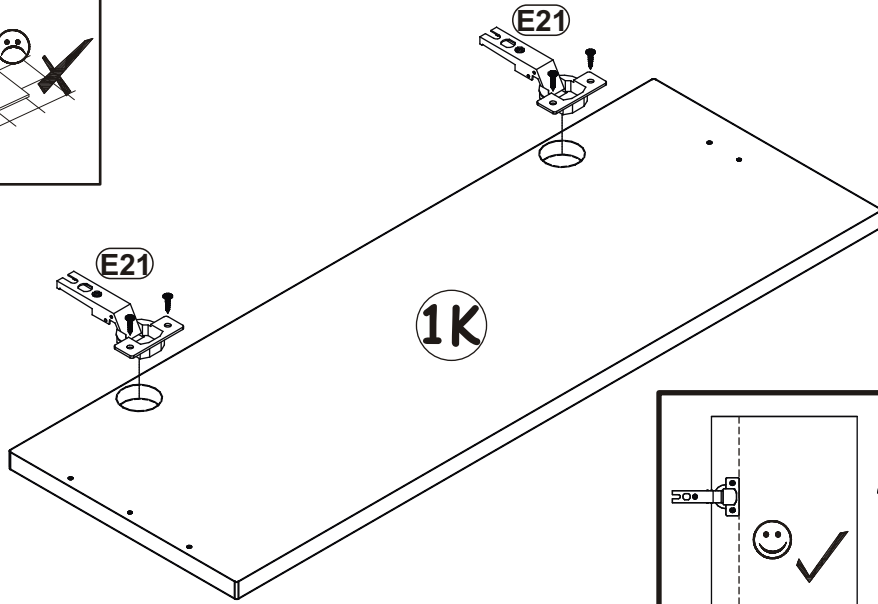
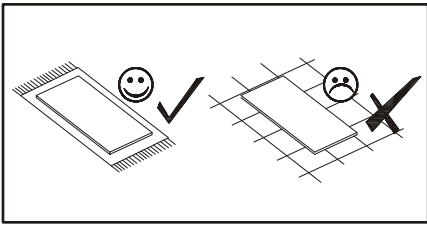
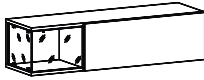
B4		G32		E2	
x6		x2		x2	H=0



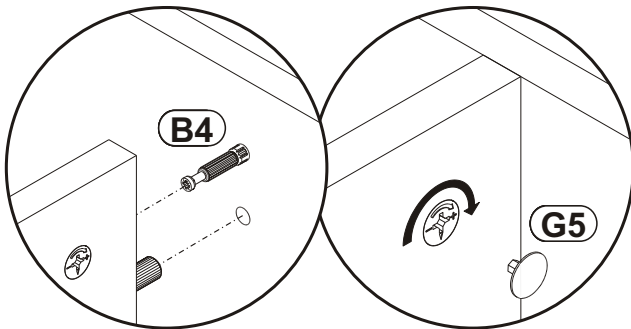
SILK TYP 40


E21	Ø35	D10	 USØ3,5x13
x2	H=0	x4	

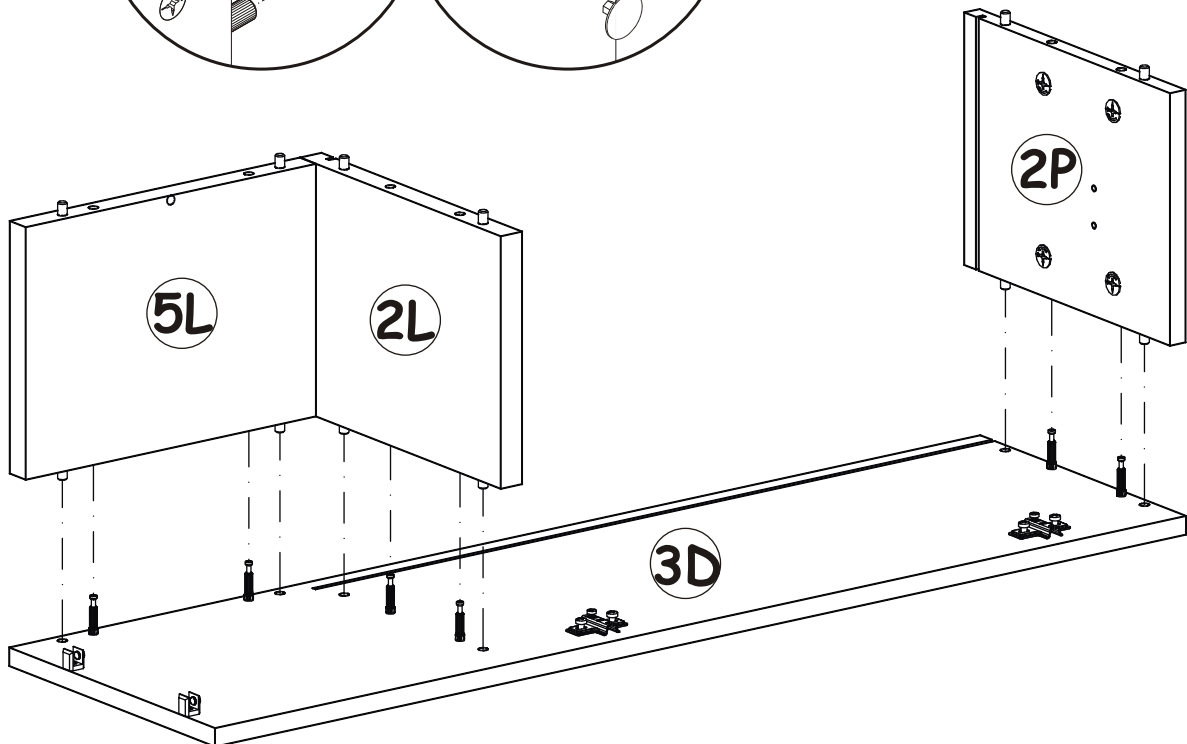
8



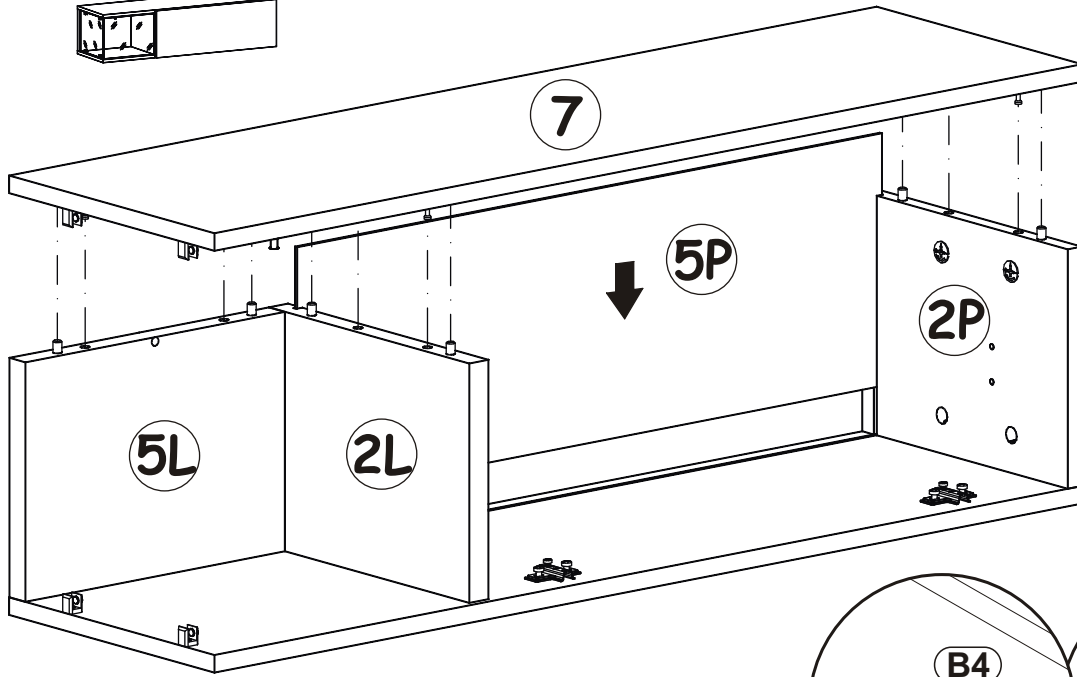
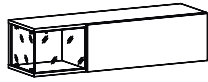
9



G5	
x6	

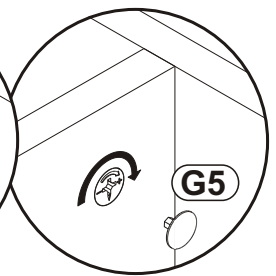
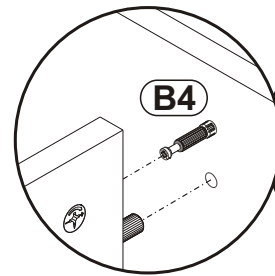
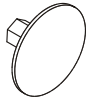


10



G5

x6



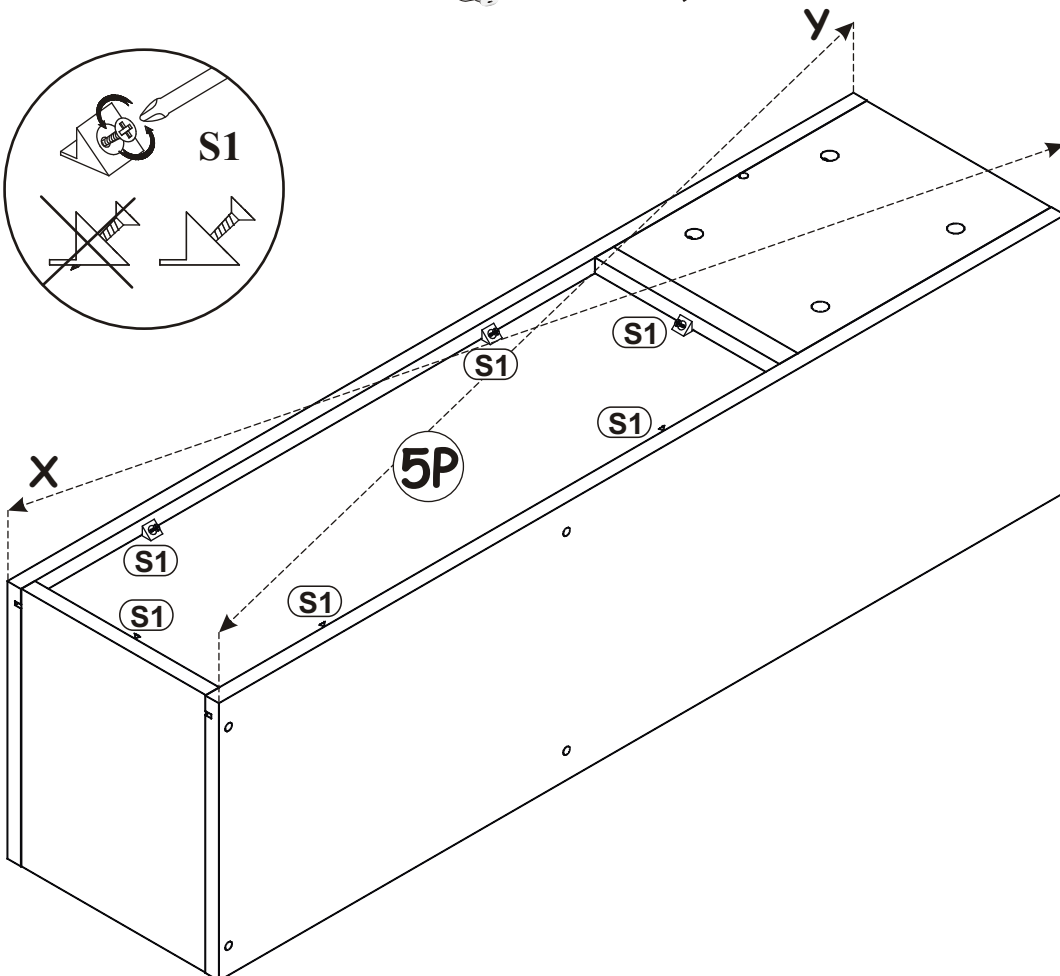
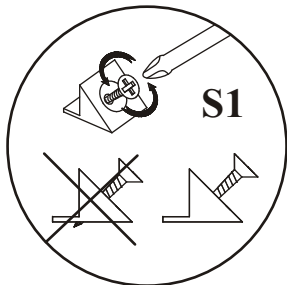
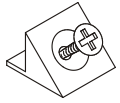
11



$X=Y$ 90°

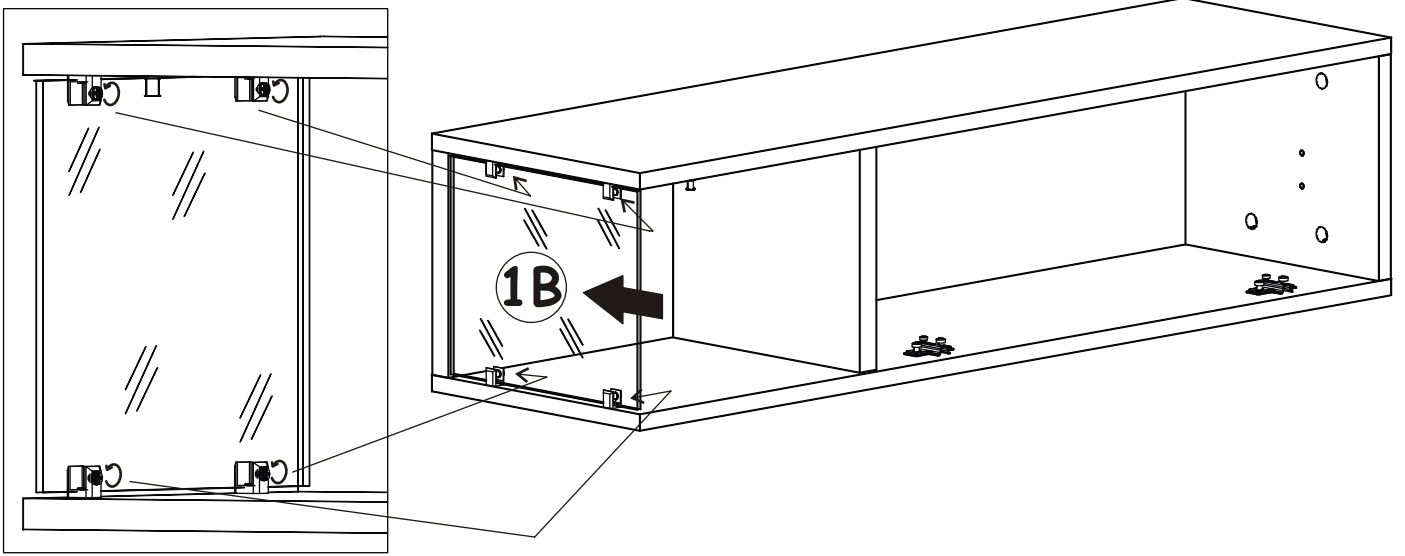
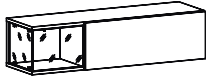
S1

x6

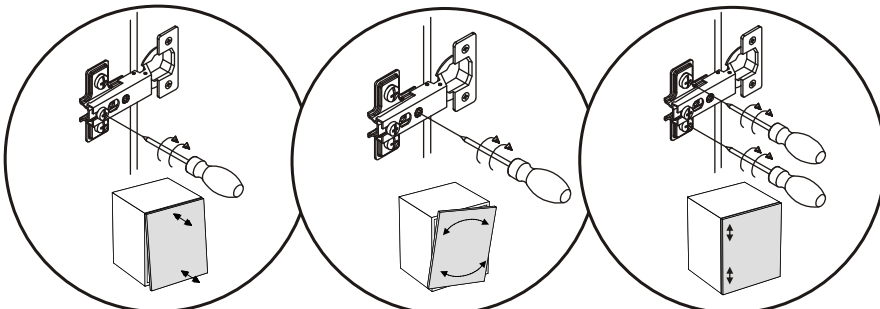
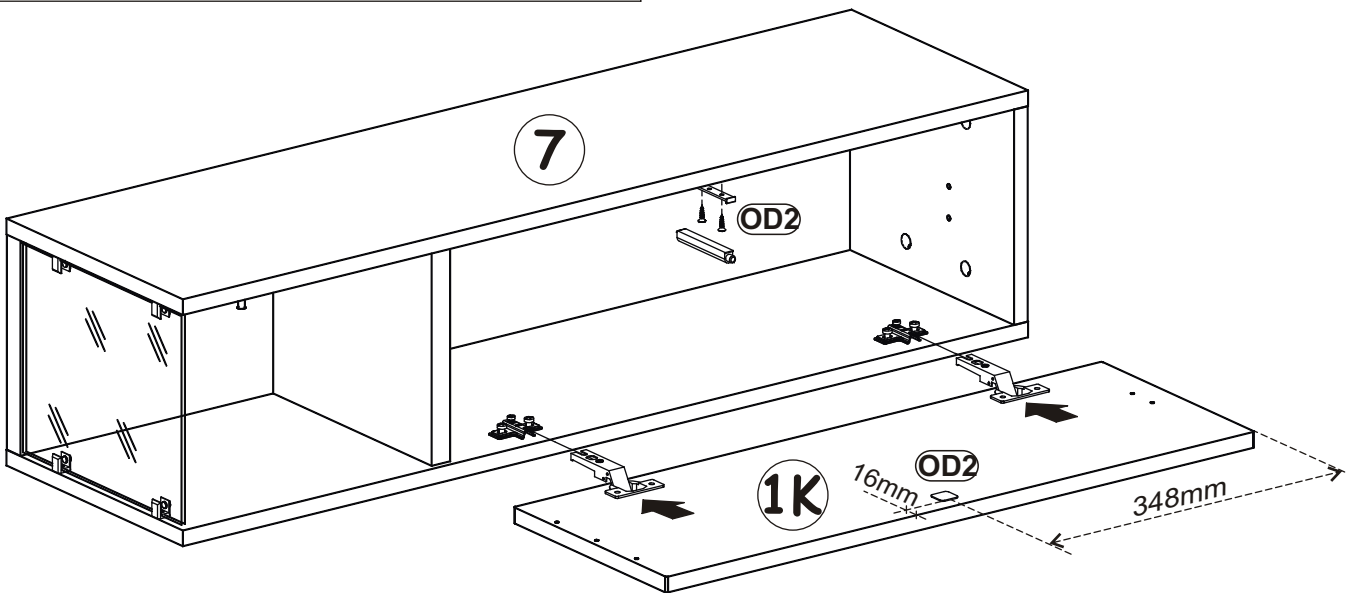
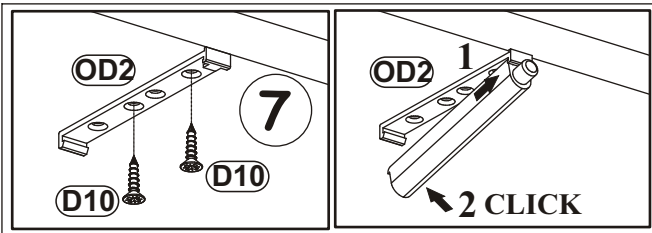
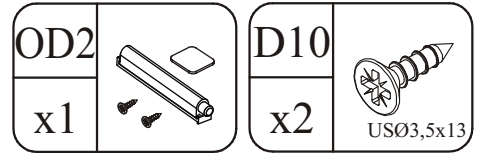


SILK TYP 40

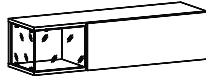
12



13



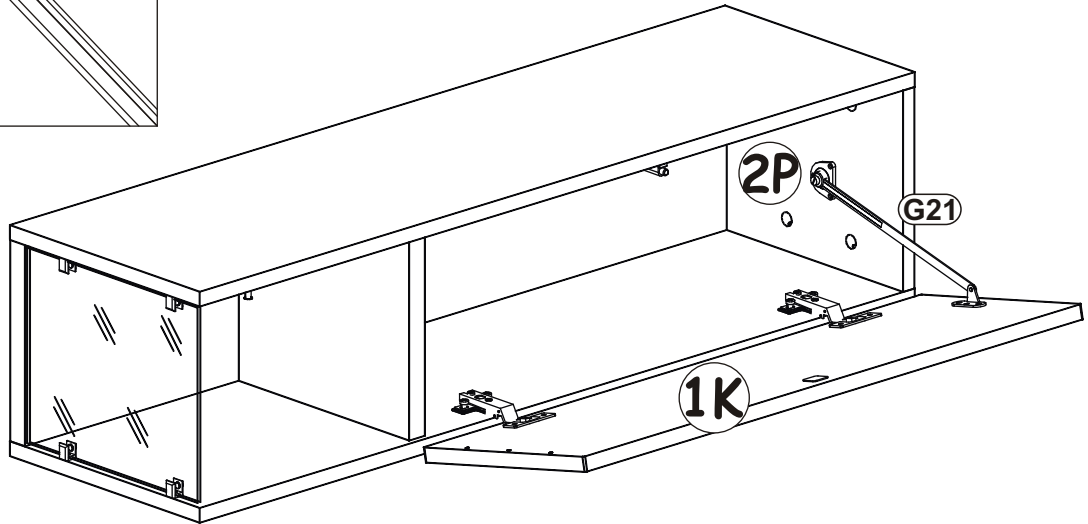
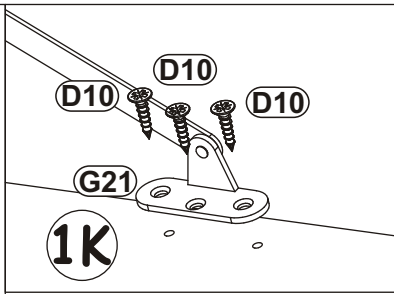
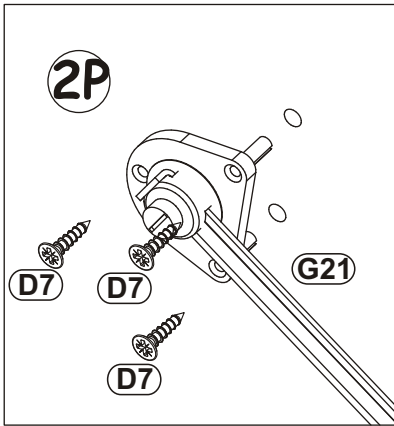
14



G21	
x1	

D7	
x3	USØ3x16

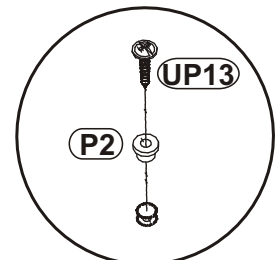
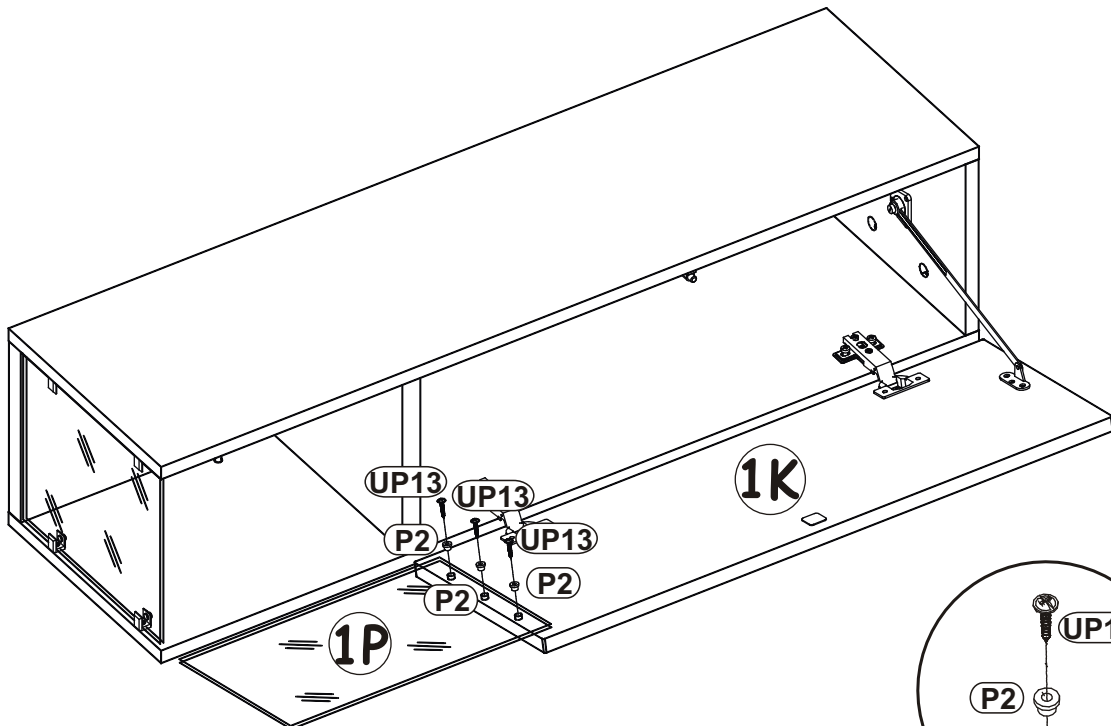
D10	
x3	USØ3,5x13



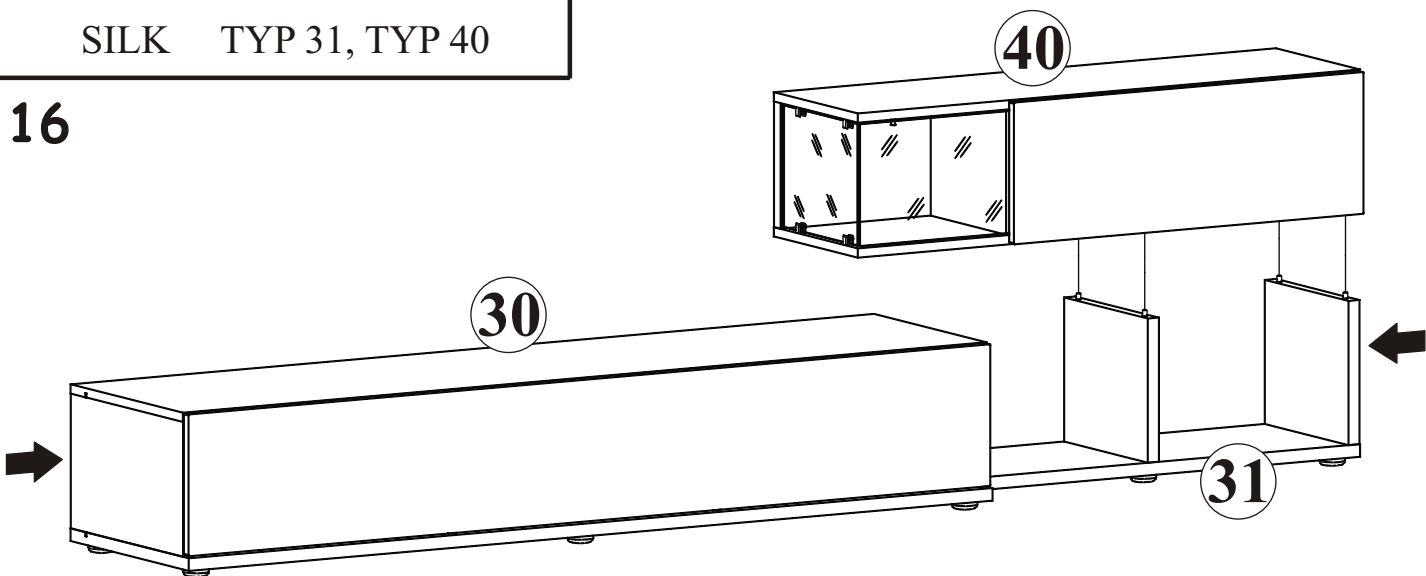
15

P2	
x3	

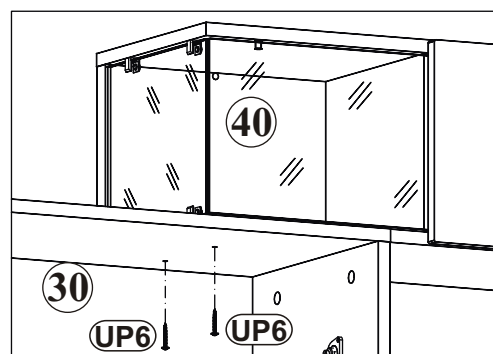
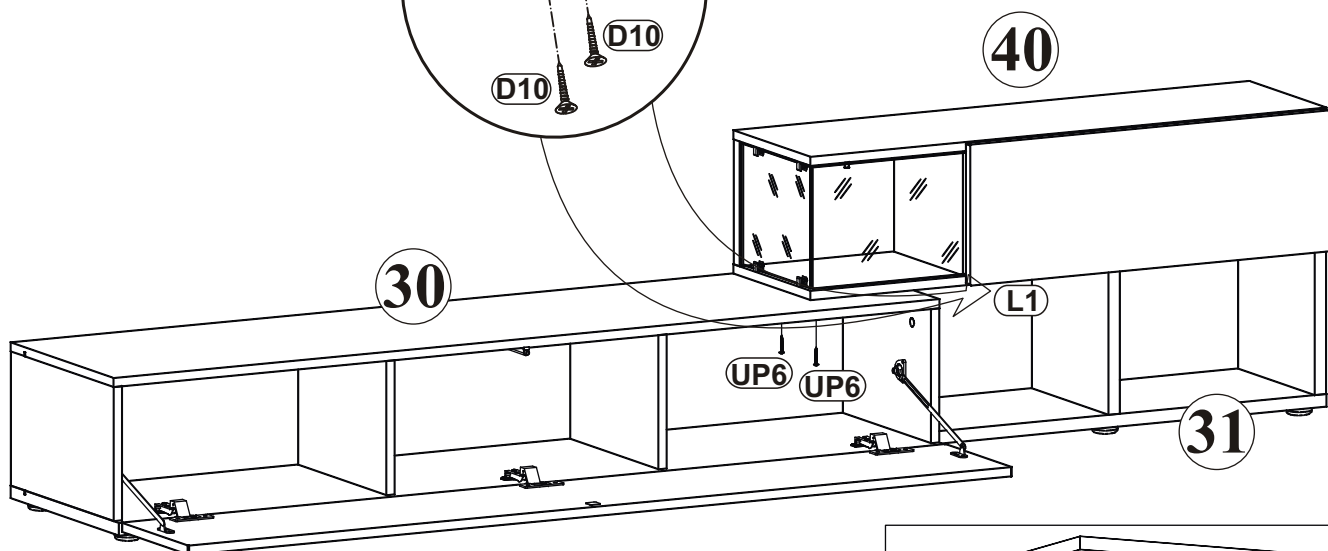
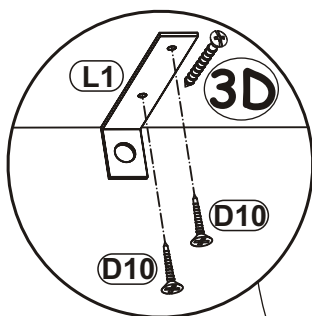
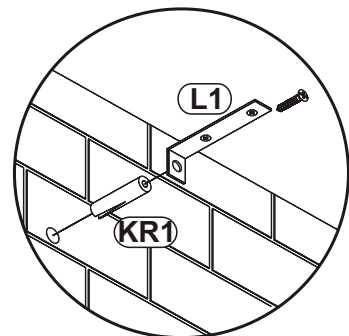
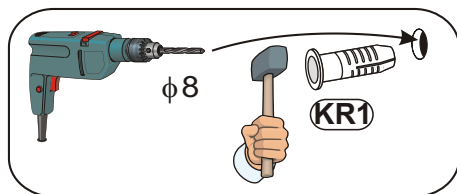
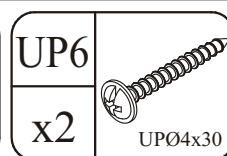
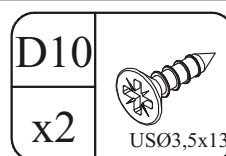
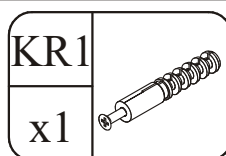
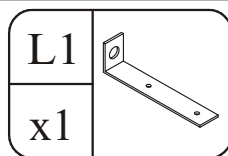
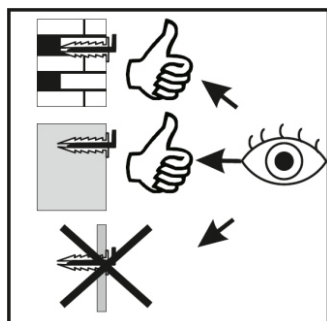
UP13	
x3	UPØ3x16



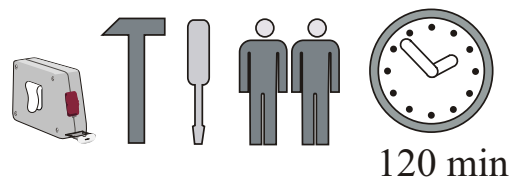
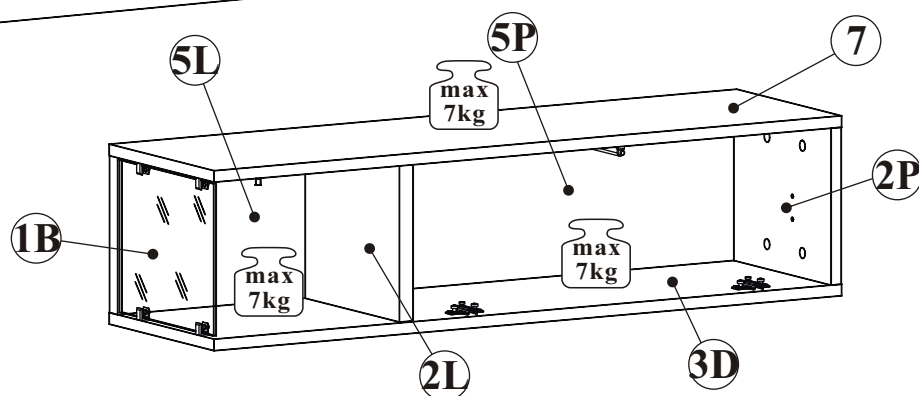
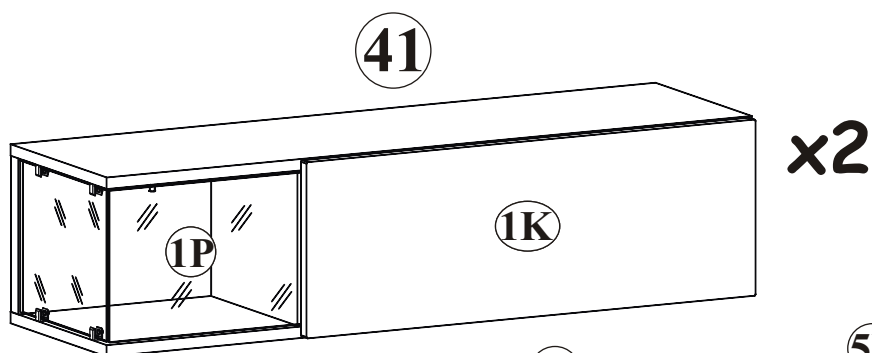
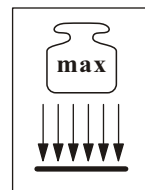
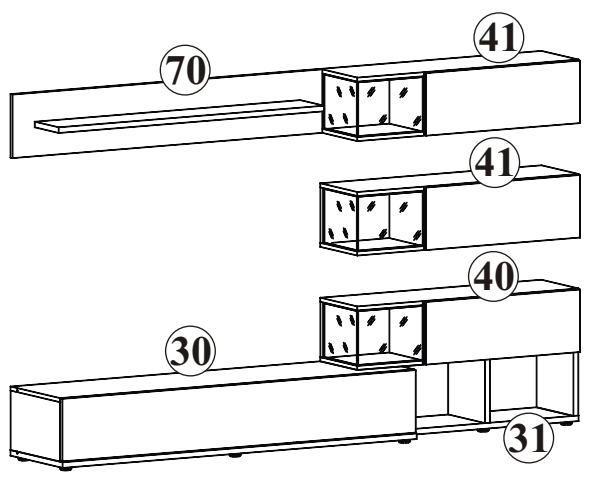
16



17



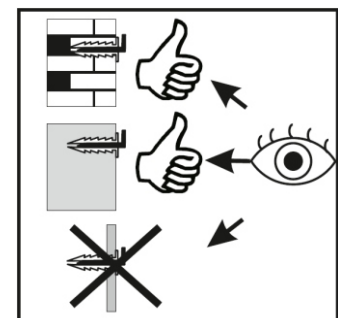
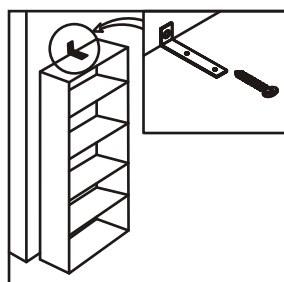
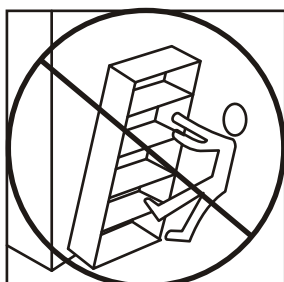
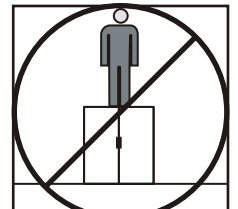
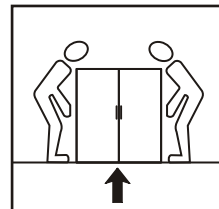
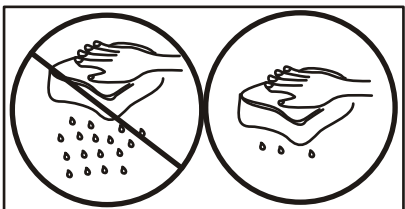
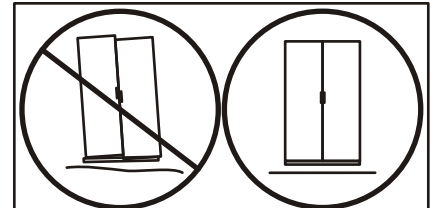
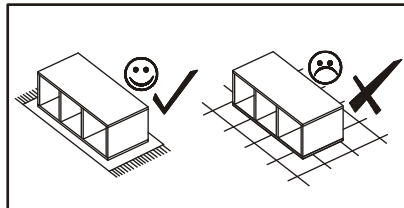
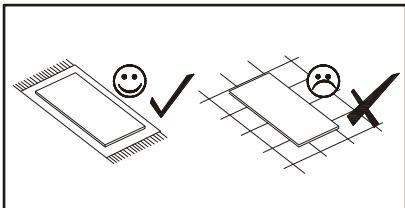
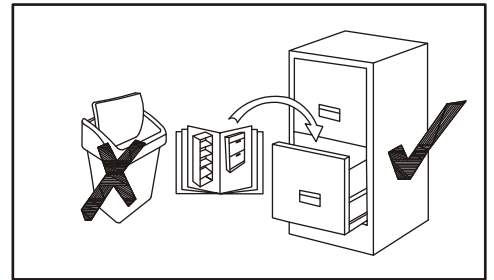
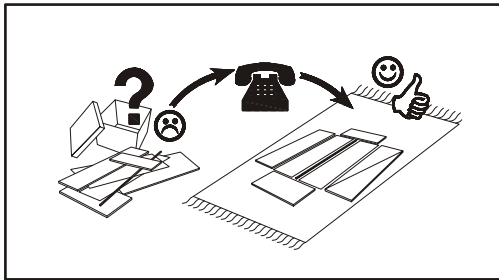
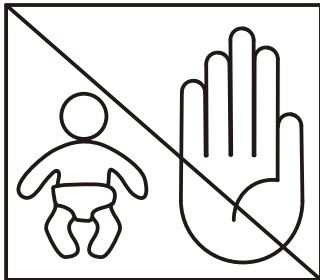
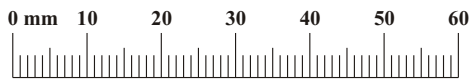
SILK TYP 41



NO	Dim.			Col.-No	Qty
1K	696	246	16	3 / 3.	2
1P	212	318	4	3 / 3.	2
1B	212	255	4	3 / 3.	2
2L	277	218	22	3 / 3.	2
2P	218	284	16	3 / 3.	2
3D	1000	284	16	3 / 3.	2
5L	299	218	22	3 / 3.	2
5P	230	674	3	3 / 3.	2
7	1000	284	16	3 / 3.	2

SILK TYP 41

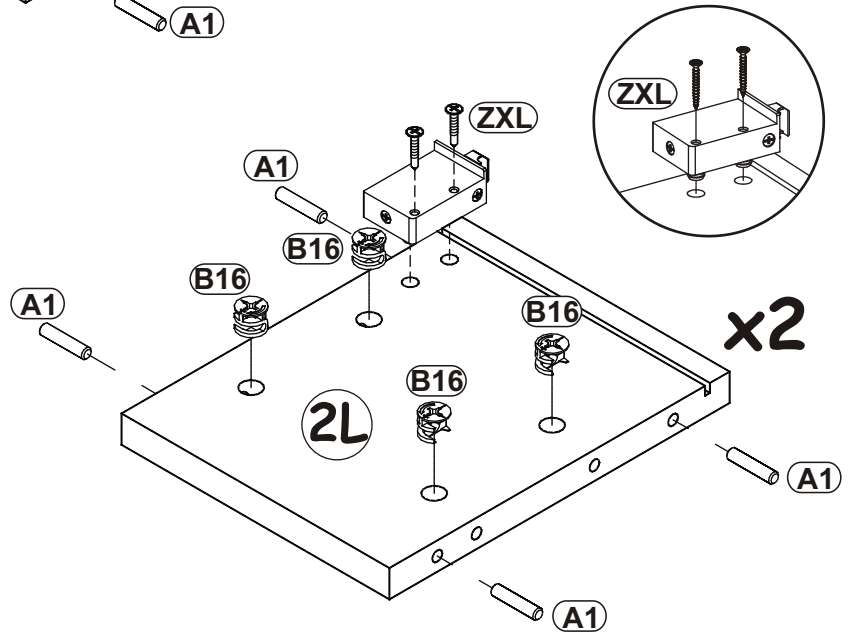
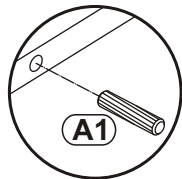
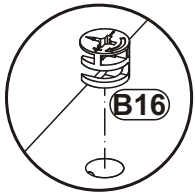
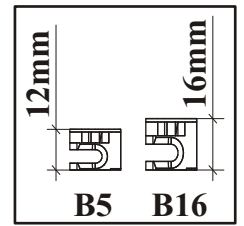
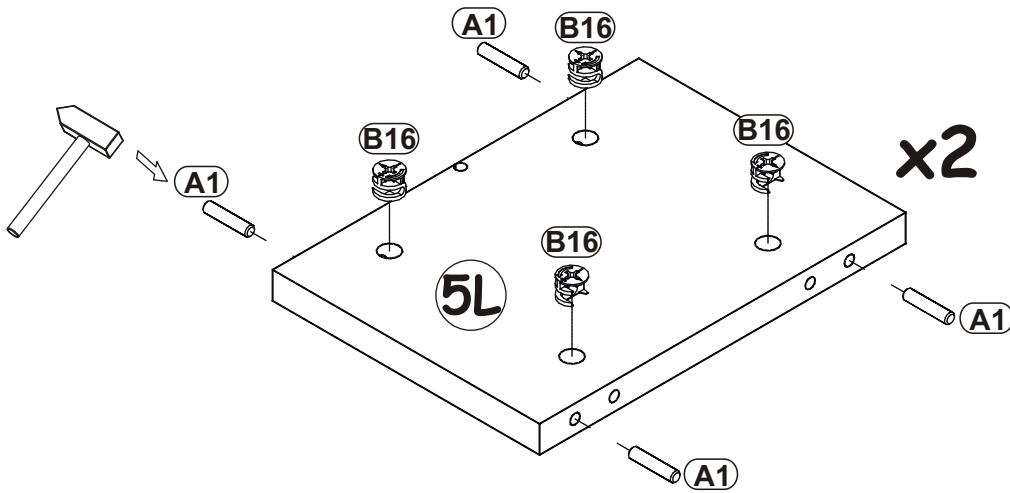
A1 x24 ø8x36	B4 x24	B5 x8 Ø15x12	B16 x16 Ø15x16	G5 x24	OD2 x1
E21 x4 Ø35 H=0	E2 x4 H=0	D10 x18 USØ3,5x13	G21 x2	D7 x6 USØ3x16	S1 x12
ZXL x2	ZXP x2	G20 x2	G32 x8	P2 x6	UP13 x6 UPØ3x16
KR2 x4	G2 x1				



SILK TYP 41

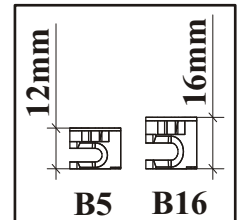
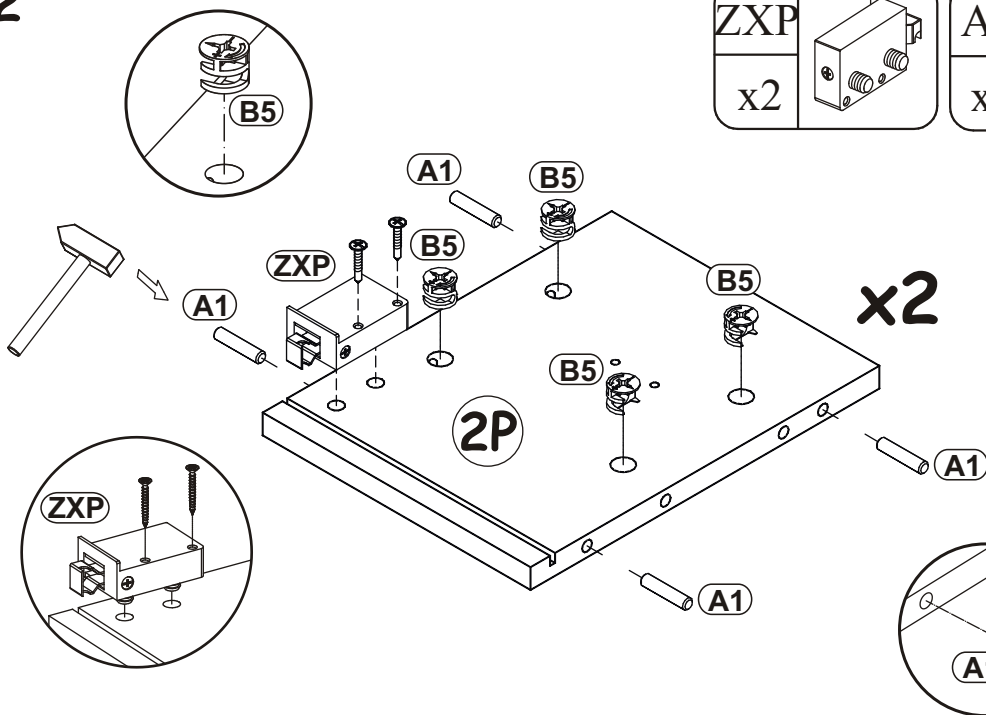
1

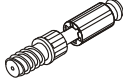

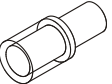
ZXL		A1		B16	
x2		x16	ø8x36	x16	Ø15x16



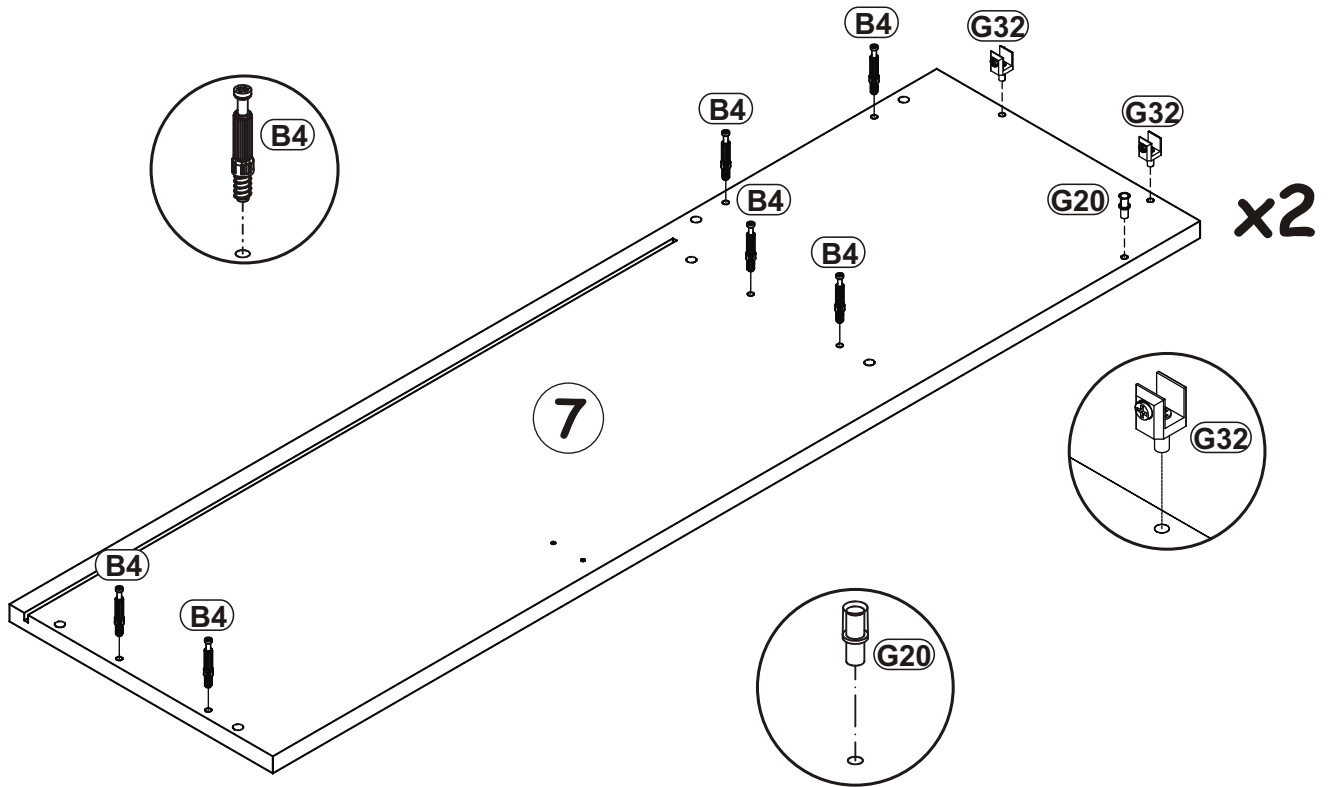
2

ZXP		A1		B5	
x2		x8	ø8x36	x8	Ø15x12

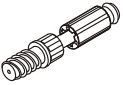
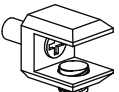
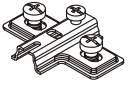


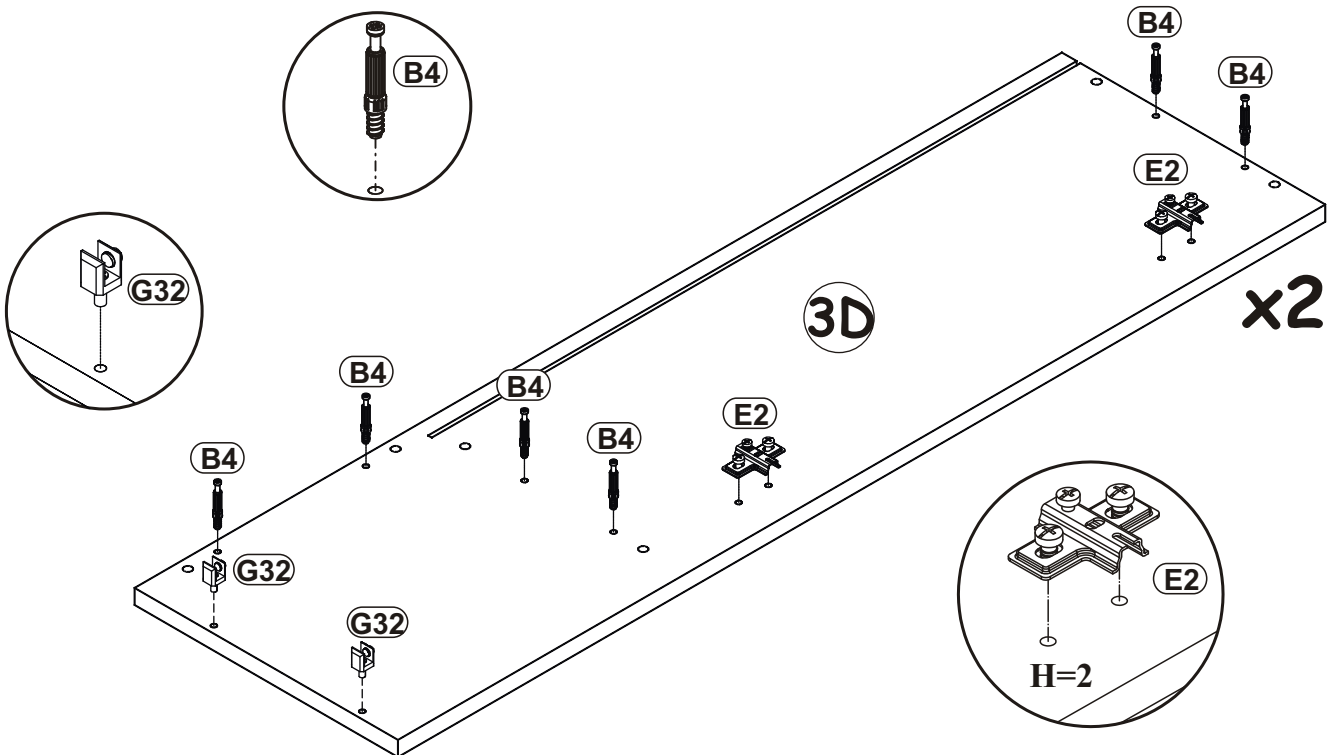
B4		G32		G20	
x12		x4		x2	

3

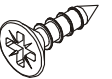


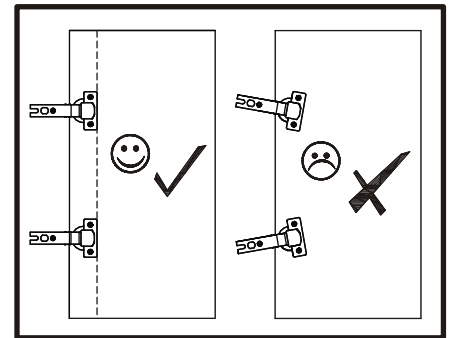
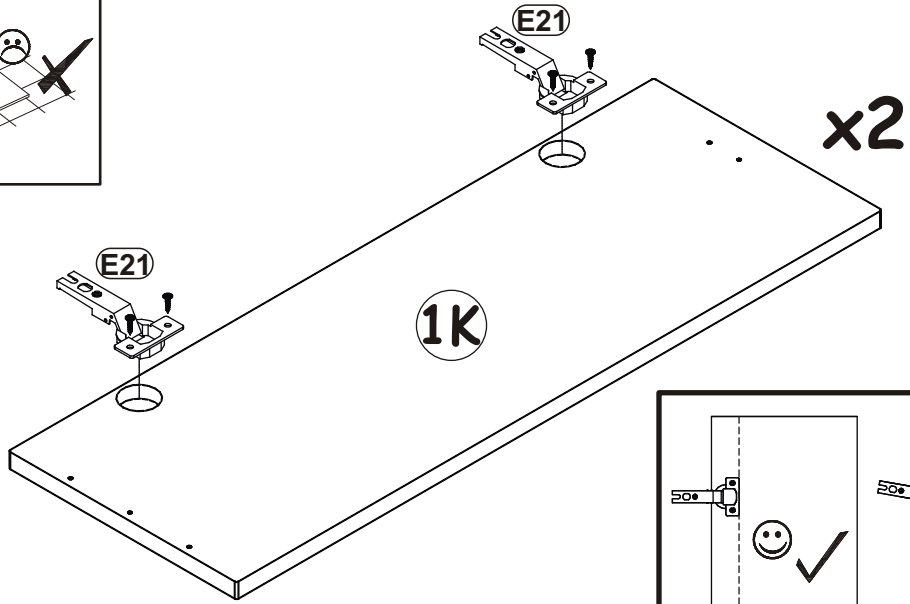
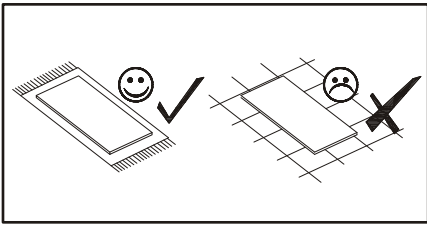
4

B4		G32		E2	
x12		x4		x4	H=0




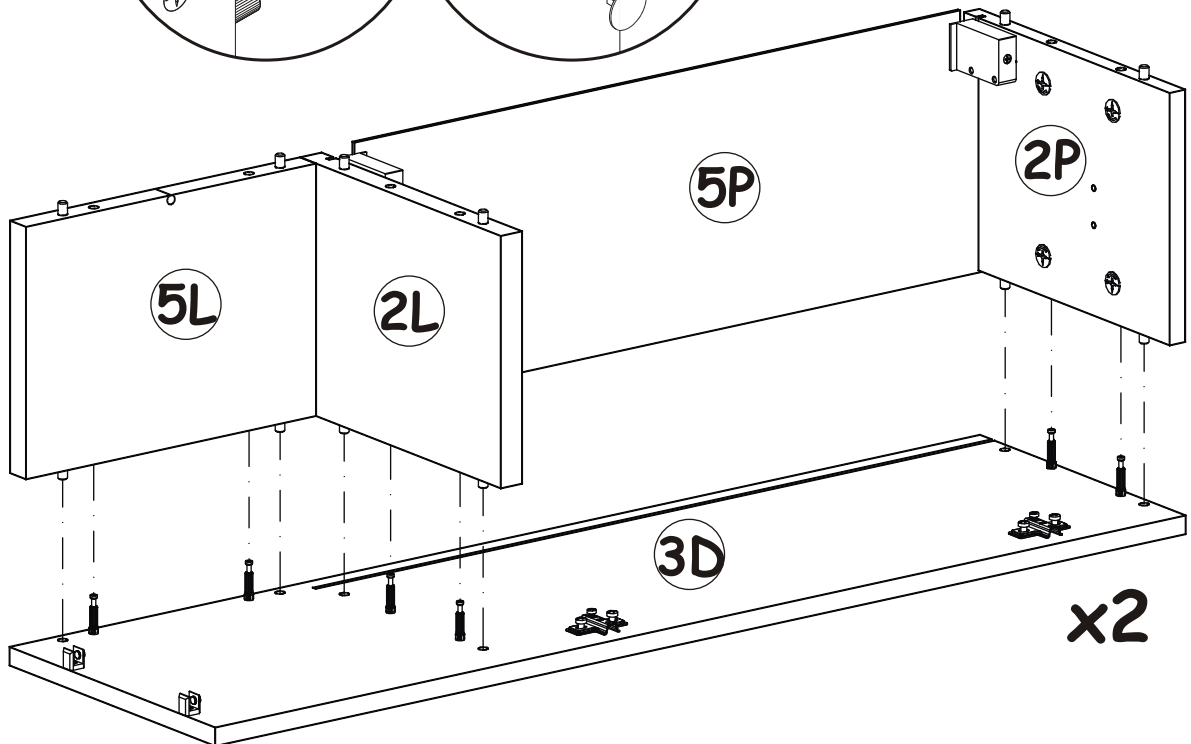
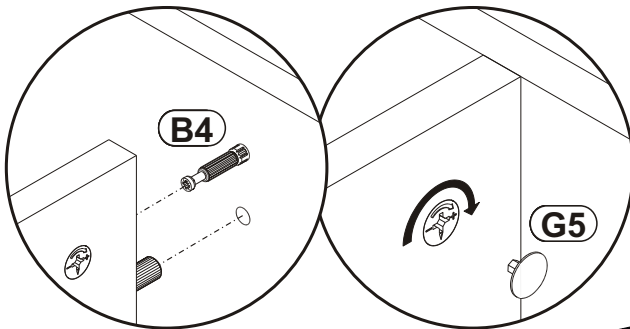
5

E21	Ø35	D10	 USØ3,5x13
x4	H=0	x8	

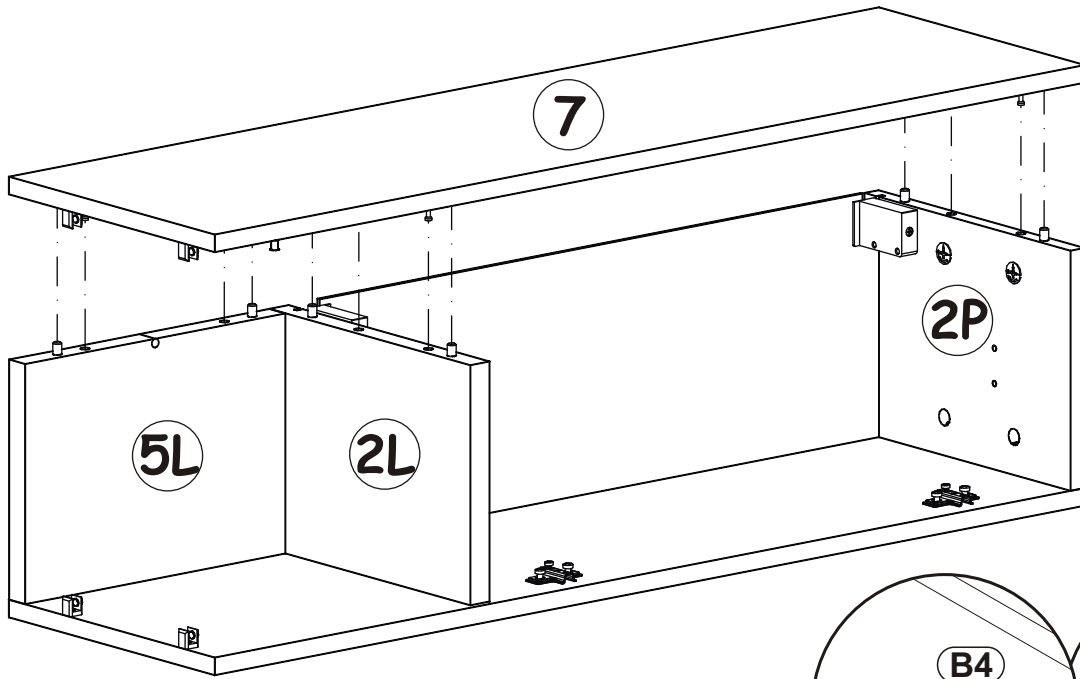


6

G5	
x12	



7

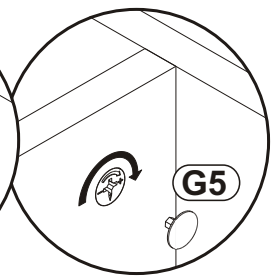
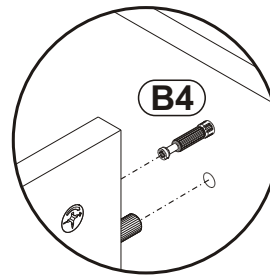


G5

x12



x2



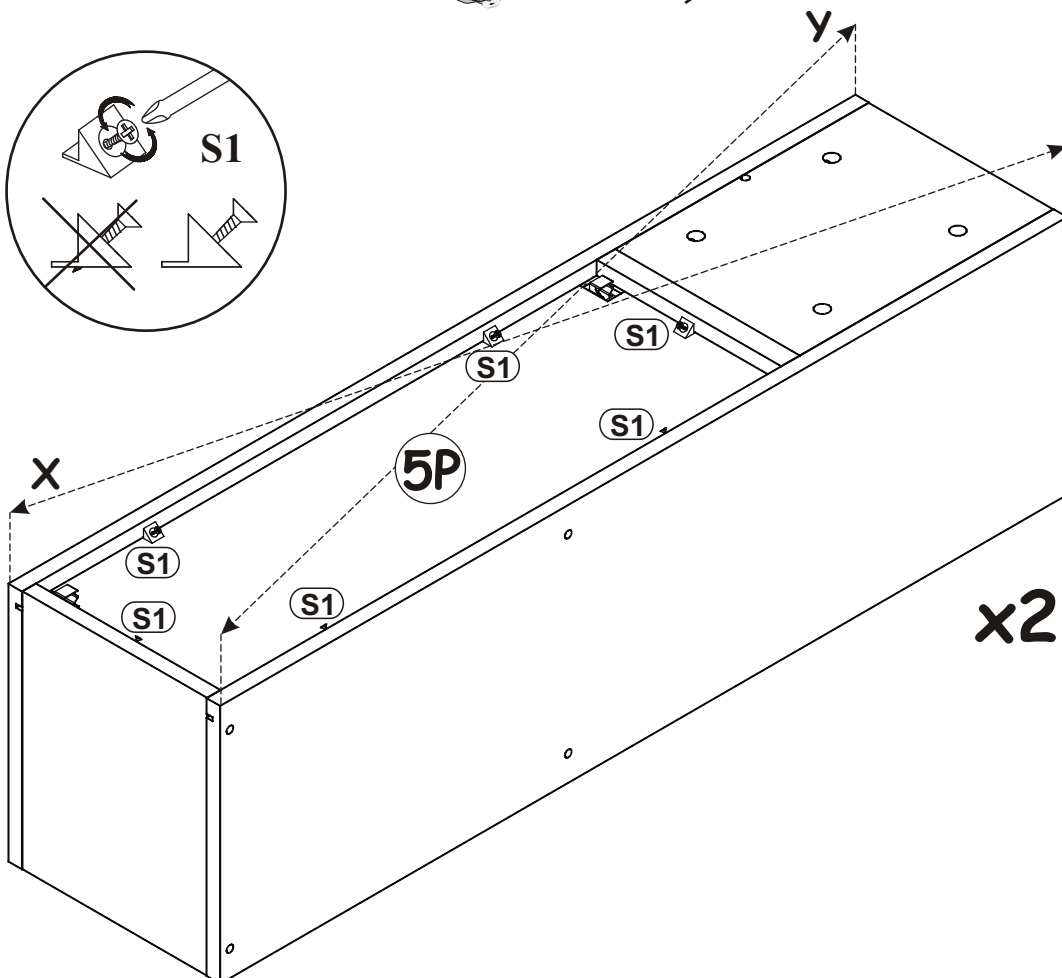
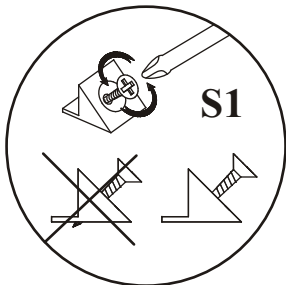
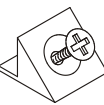
8



$X=Y$ 90°

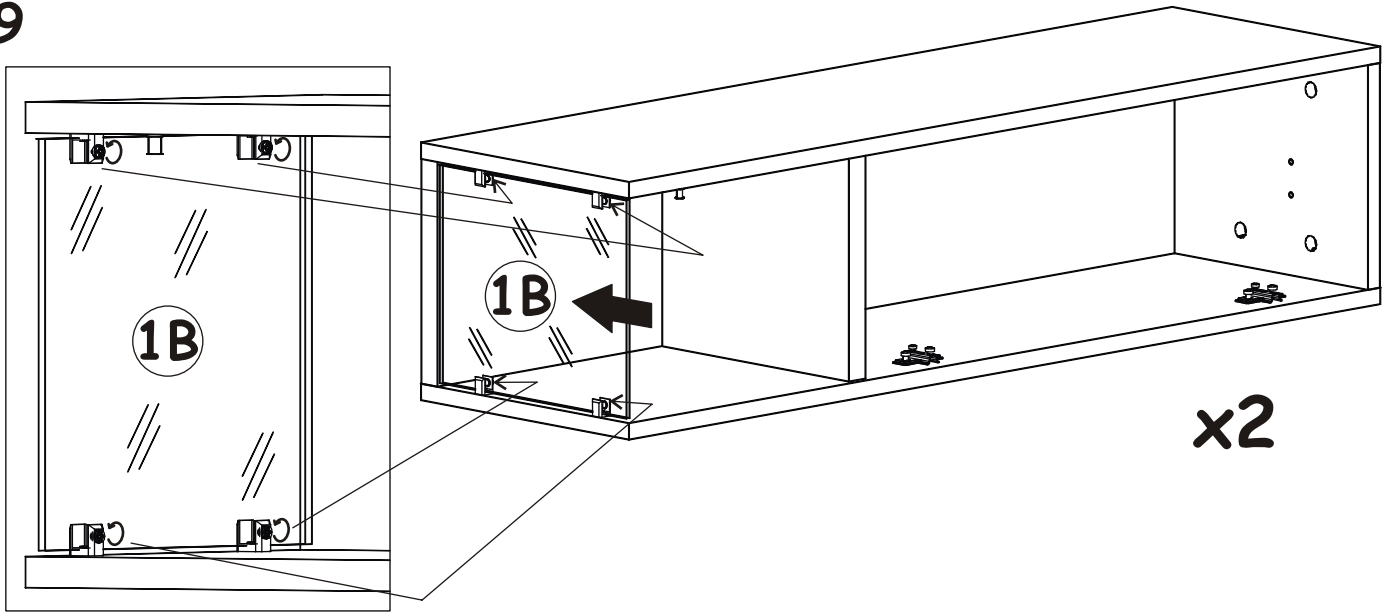
S1

x12

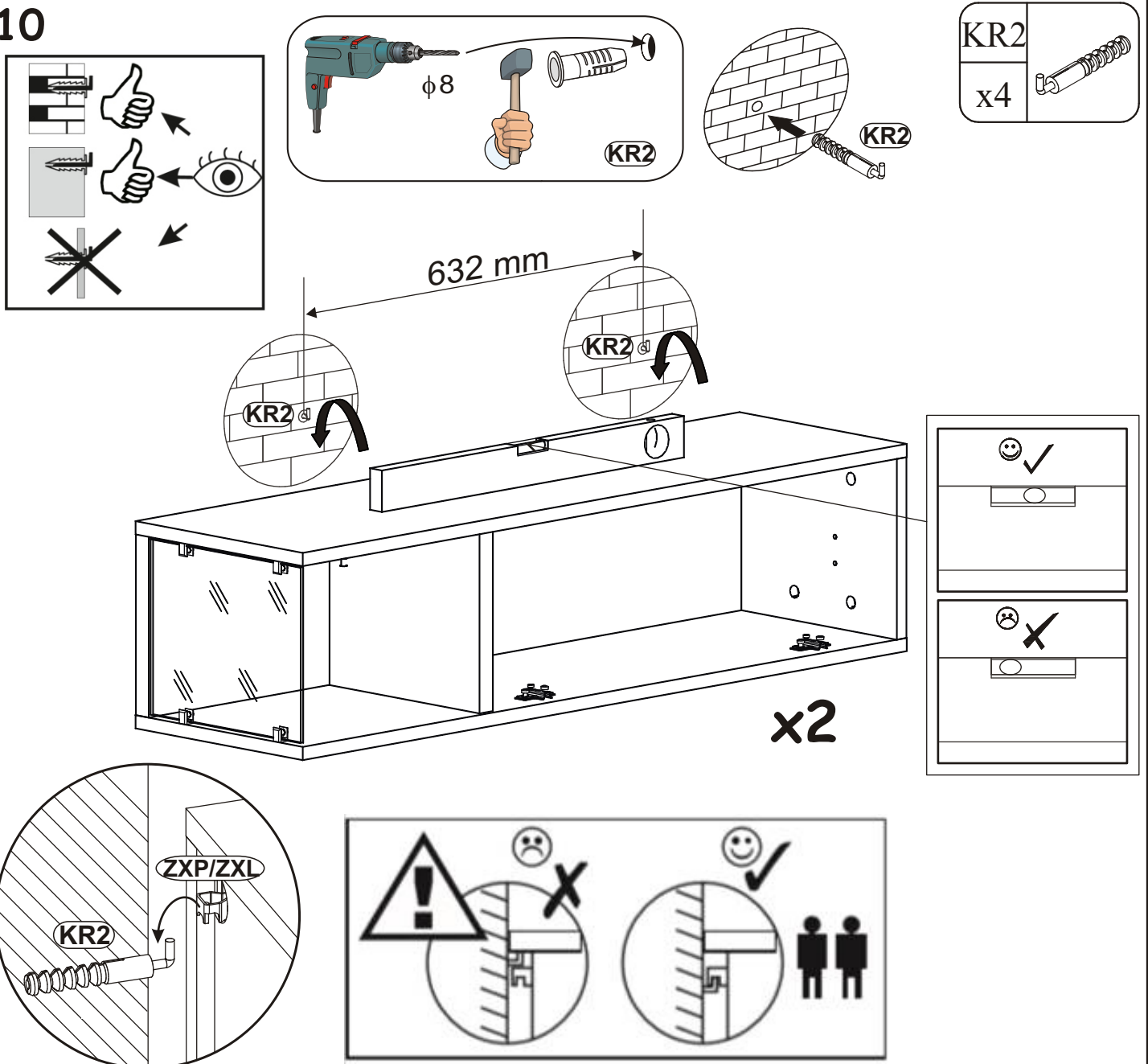


x2



9

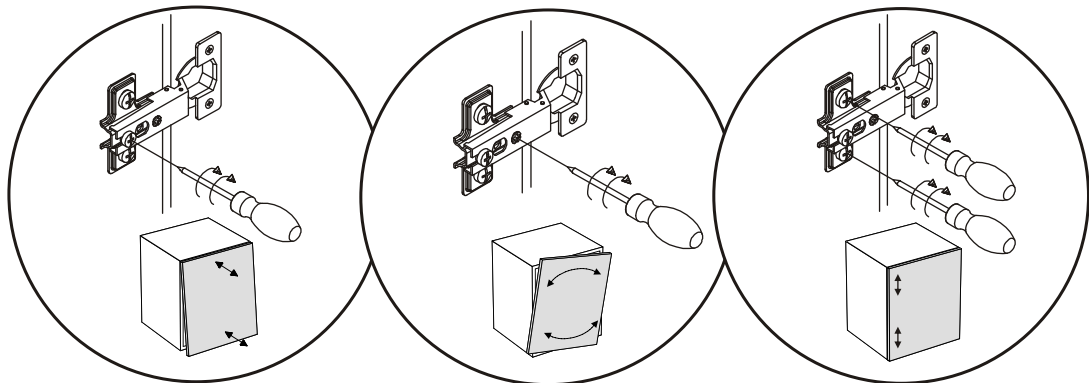
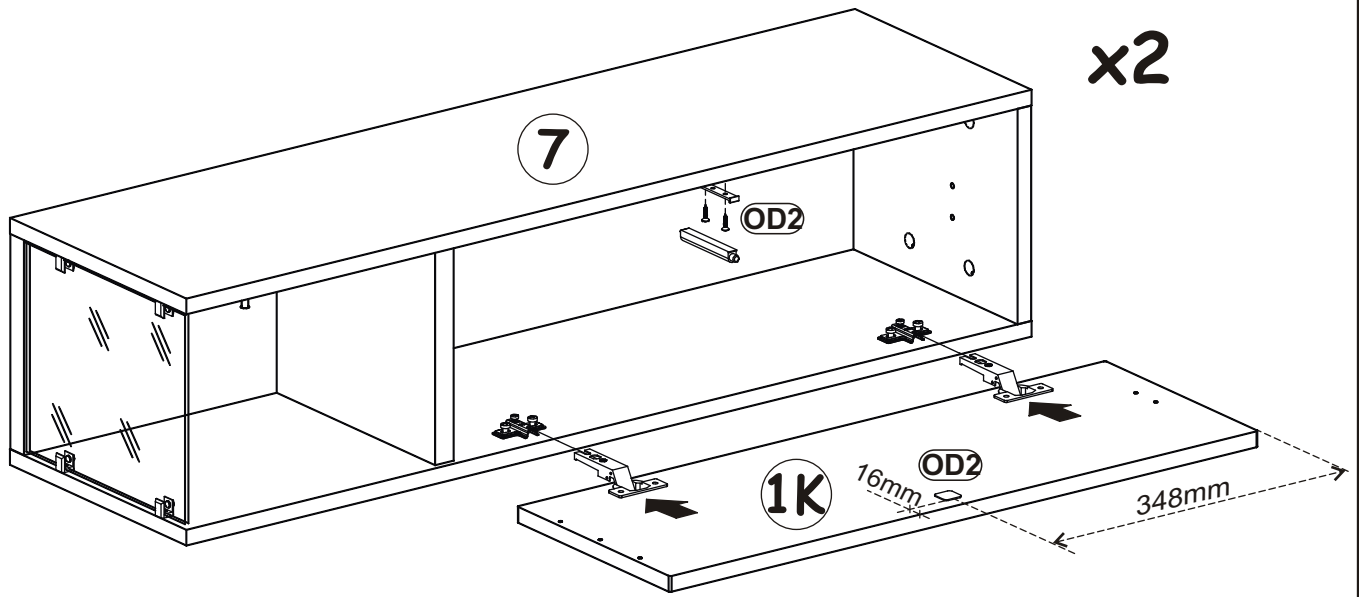
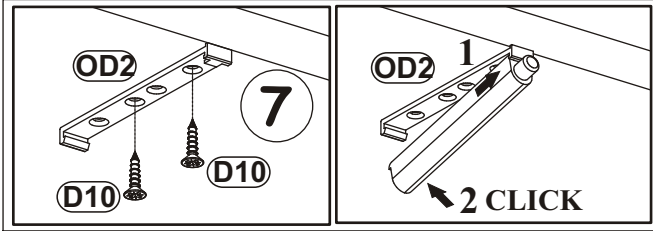



10

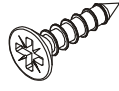


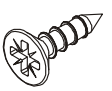
11

OD2		D10	
x2		x4	US03,5x13

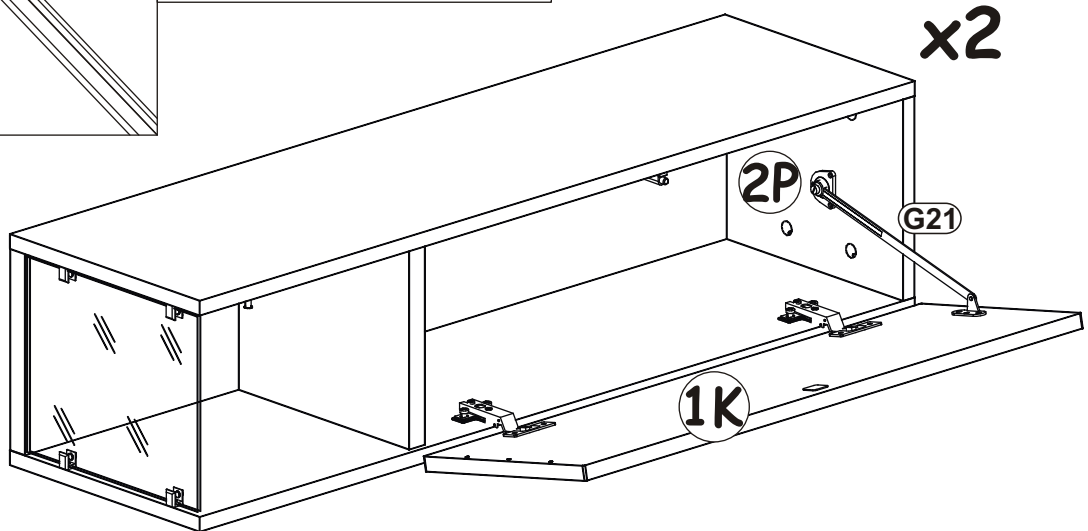
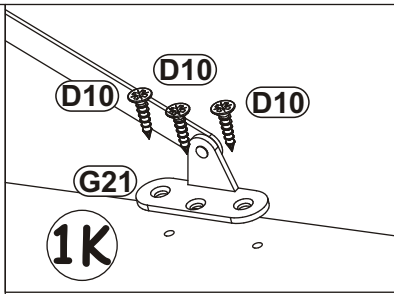
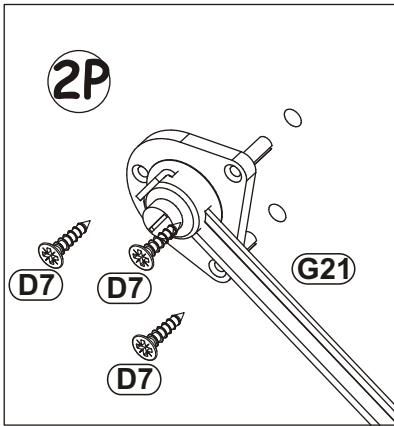


G21	
x2	


D7	
x6	USØ3x16


D10	
x6	USØ3,5x13

12



13

P2	
x6	

UP13	
x6	UPØ3x16

