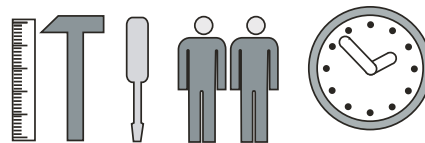
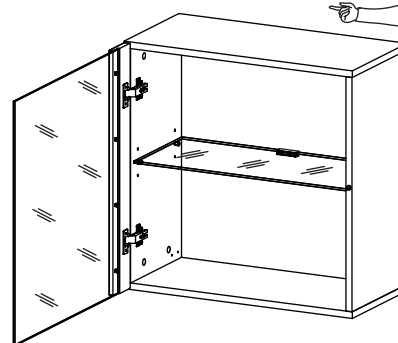
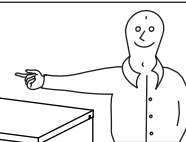
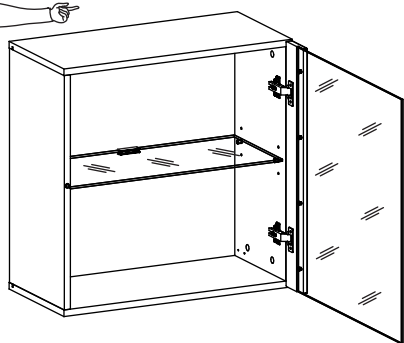
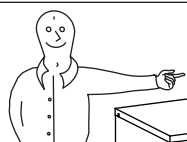
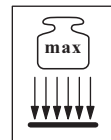
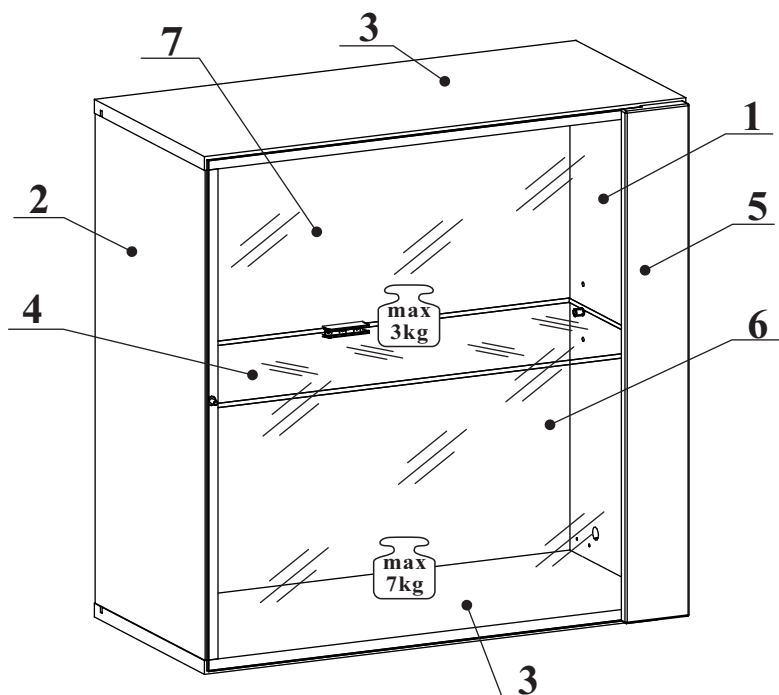


# SWITCH WW 3

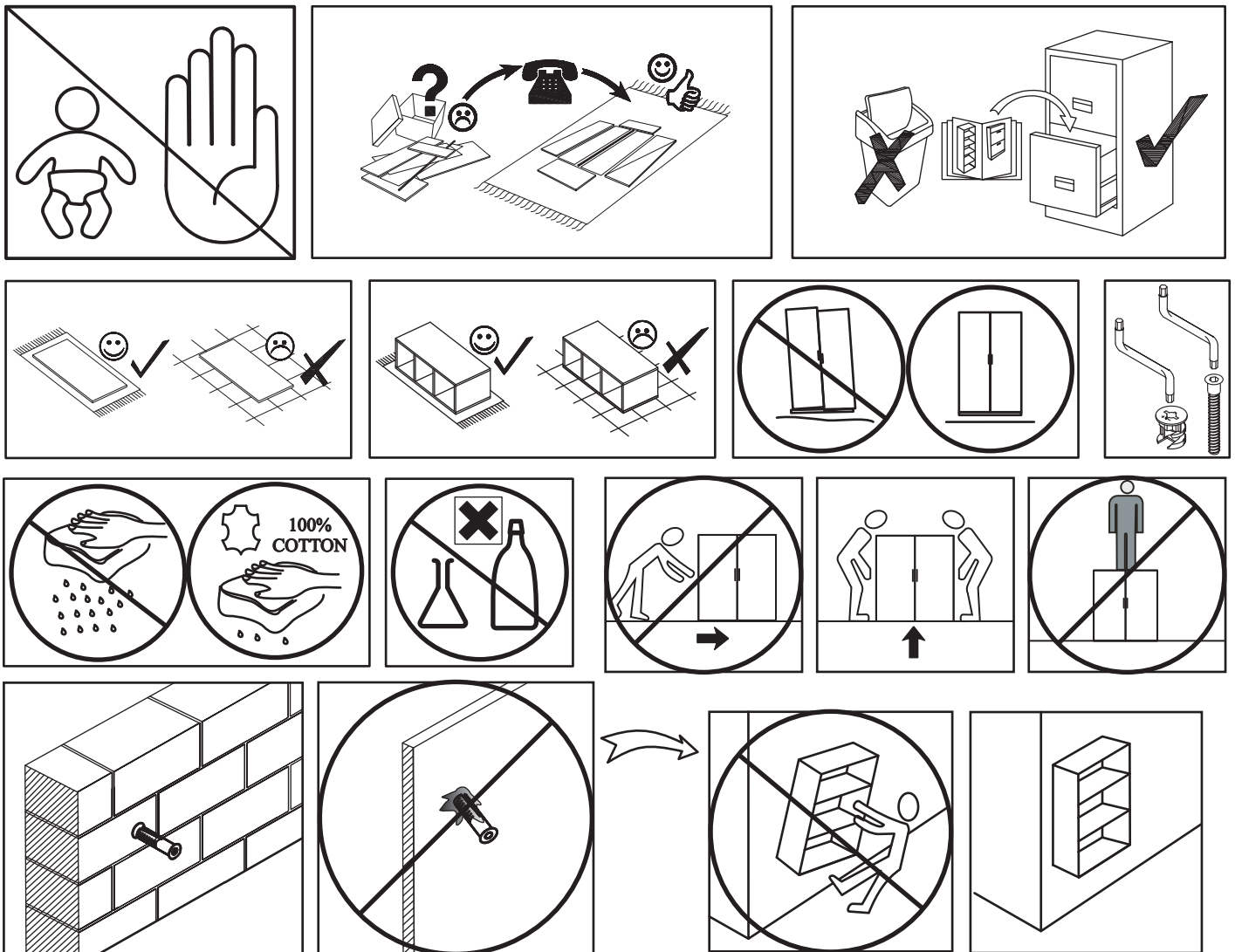
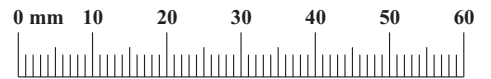


60 min

NO	Dim.		Col.-No	Qty
1	570	284	1	1
2	570	284	1	1
3	602	284	1	2
4	566	249	1	1
5	80	596	1	1
6	594	541	1	1
7	582	580	1	1

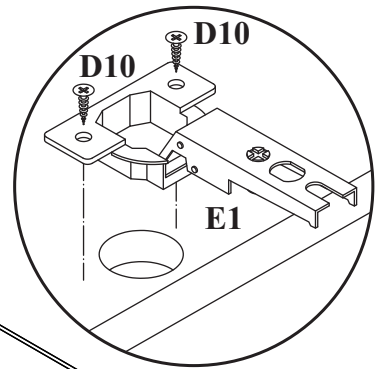
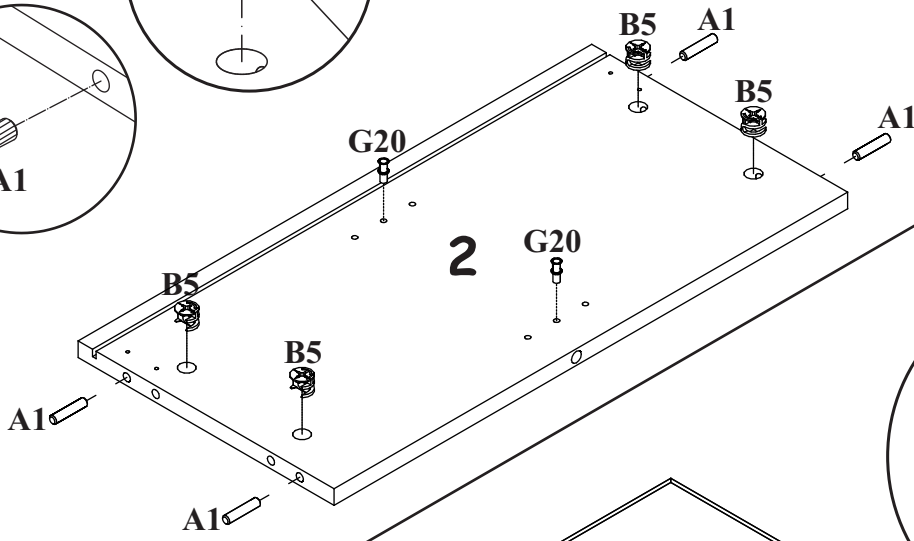
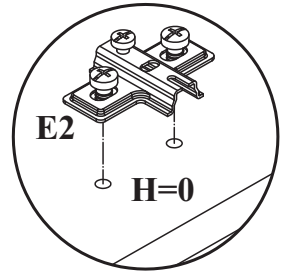
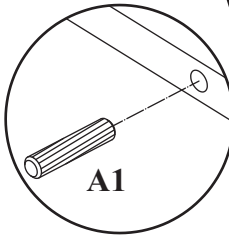
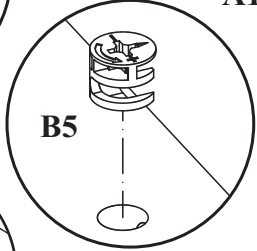
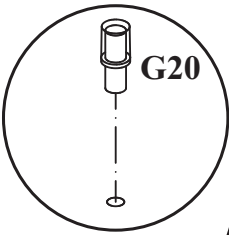
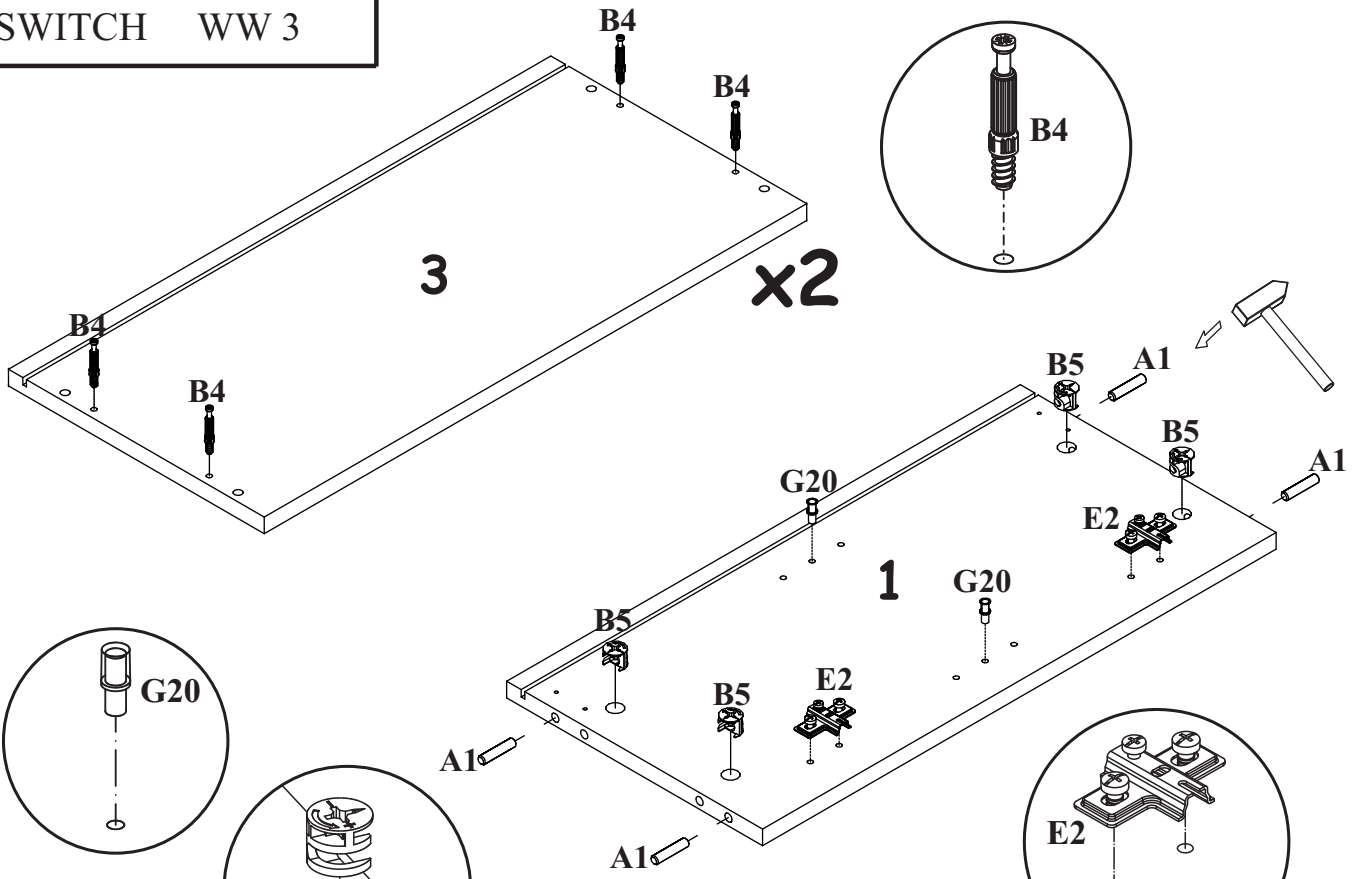
# SWITCH WW 3

A1 X8 ø8x36	B4 X8	G5 X8	B5 X8 ø15x12	ZR1 X2	D6 X4 USØ3,5x30
E1 X2 Ø26 H=0	E2 X2 H=0	D10 X4 USØ3,5x13	G20 X4	P2 X4	UP13 X4 UPØ3x16
OD X1 L=71,5	S1 X8	KR2 X2	G2 X1	LED X1 X1	

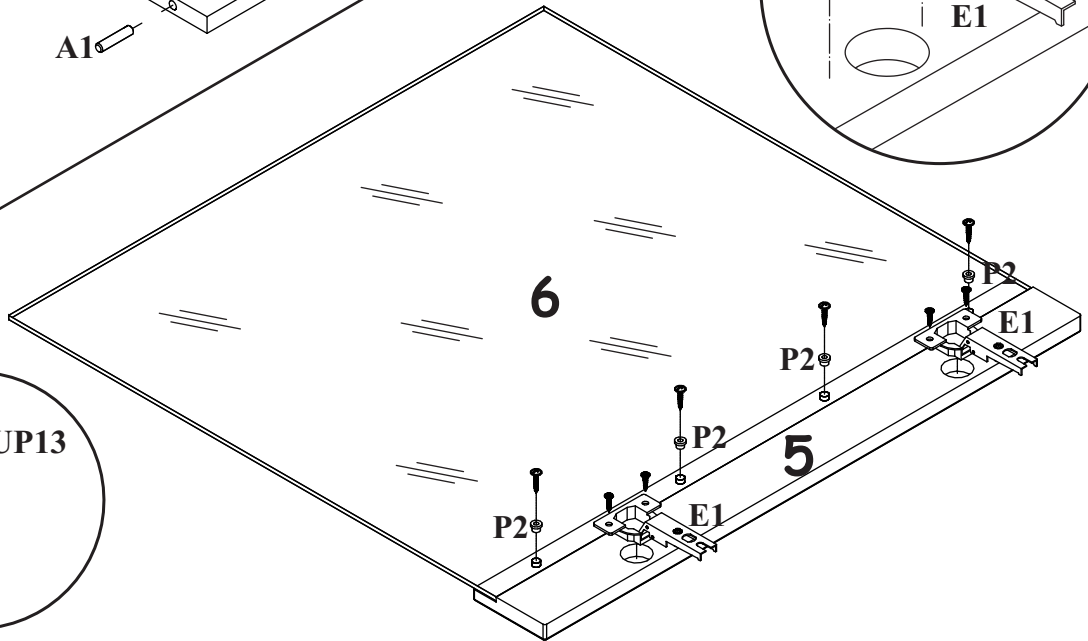
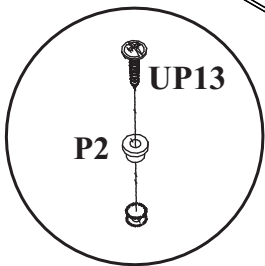


SWITCH WW 3

1

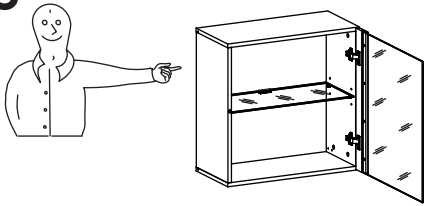


2

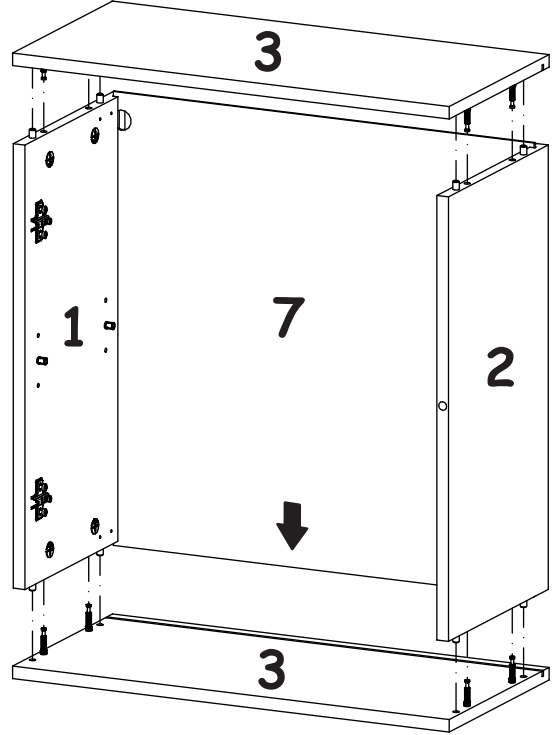
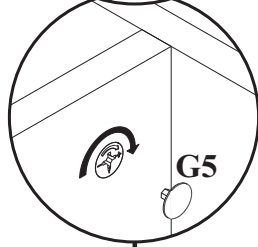
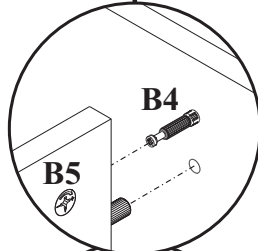
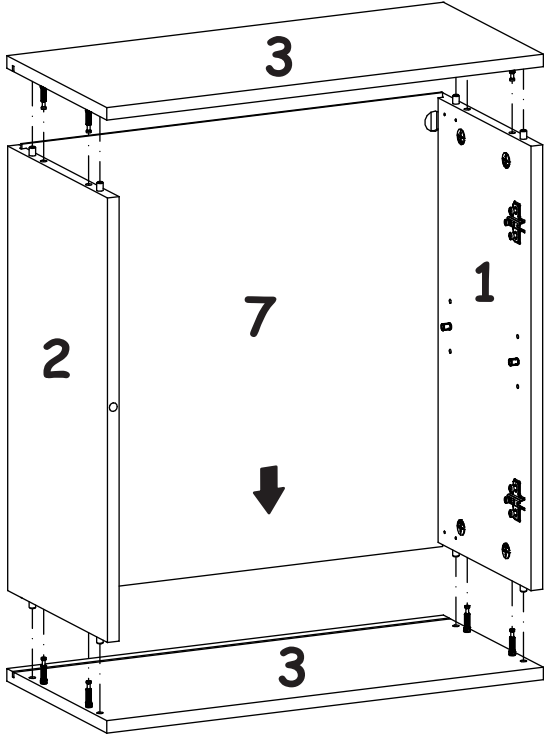
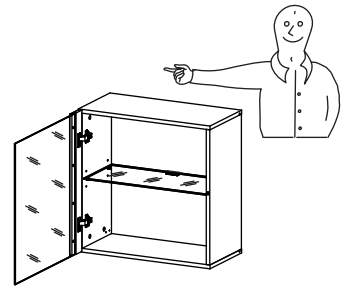


SWITCH WW 3

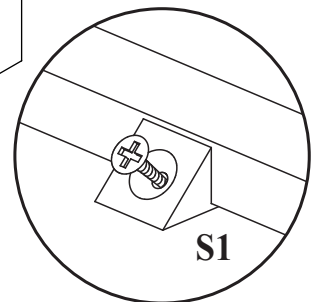
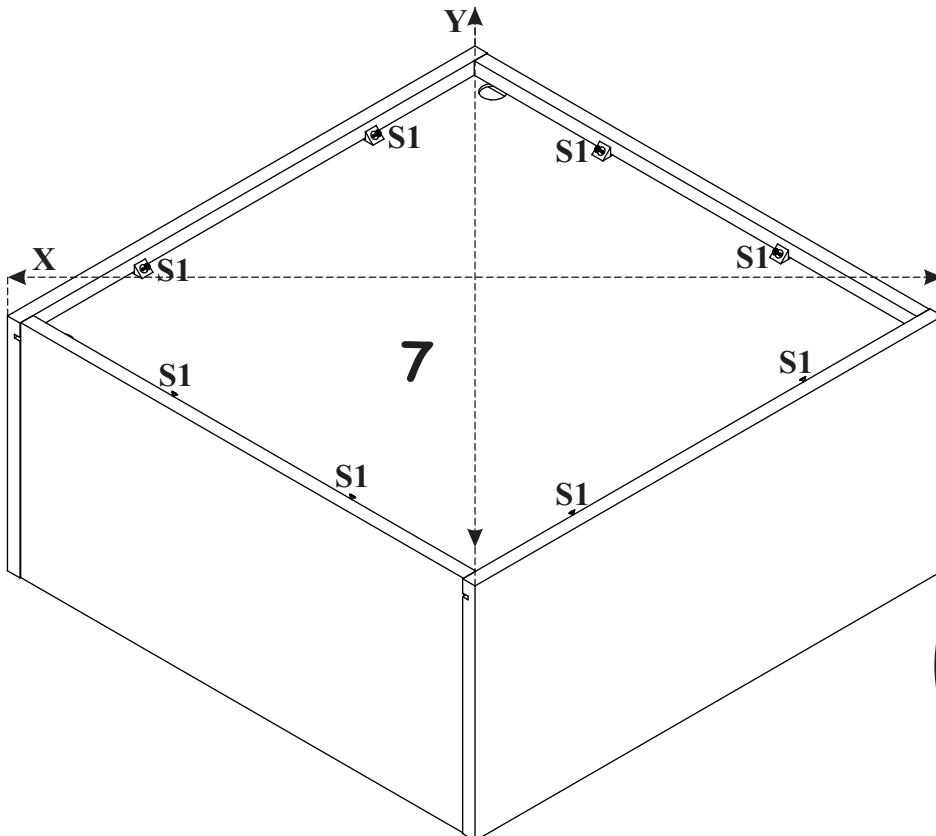
3



3

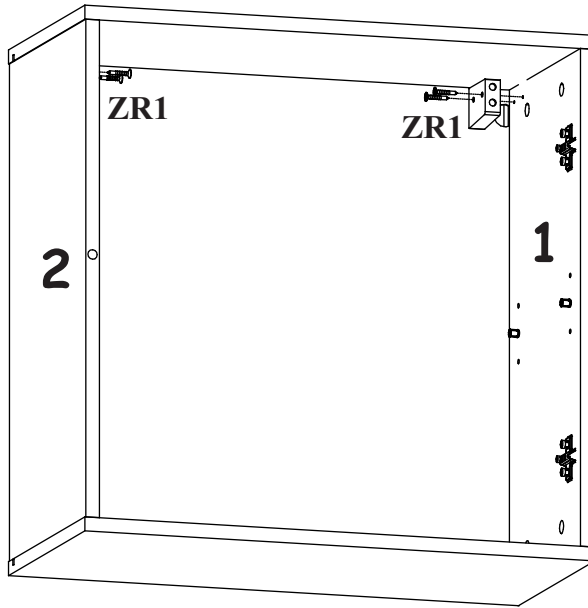
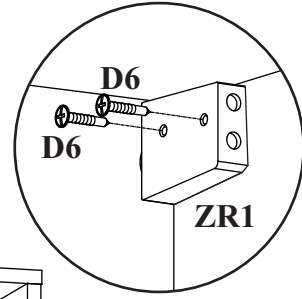
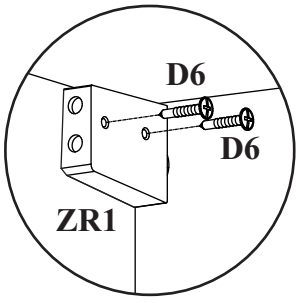


4

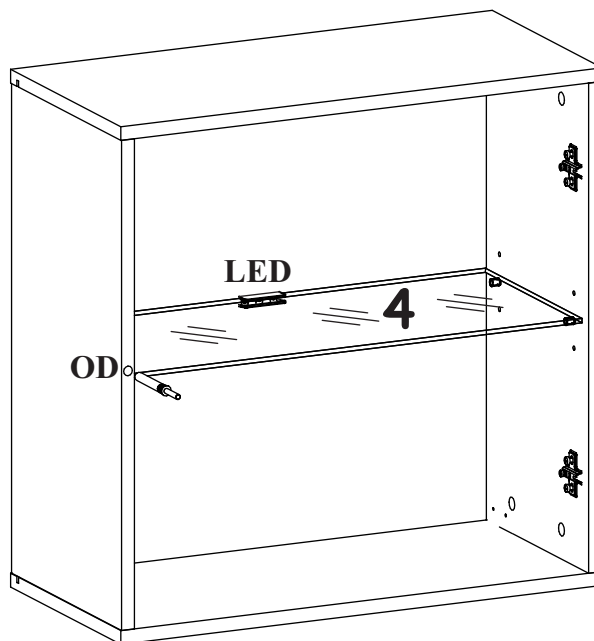
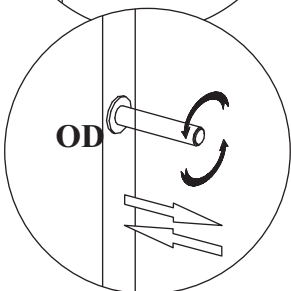
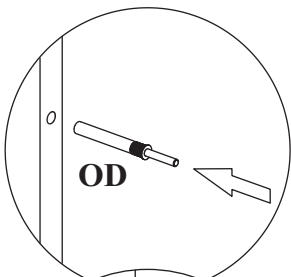
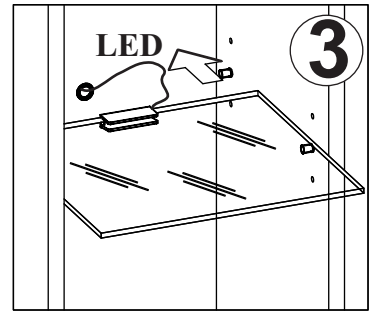
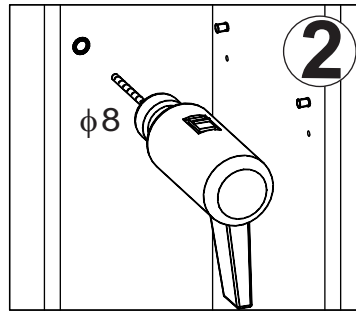
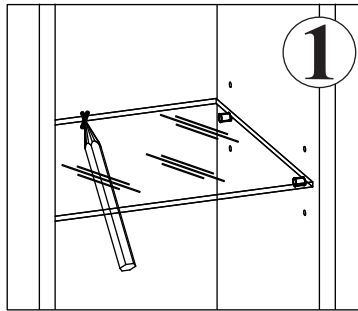


SWITCH WW 3

5

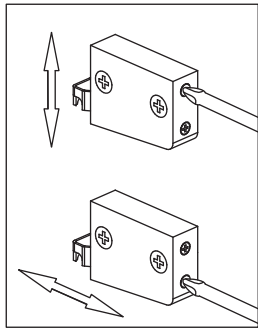
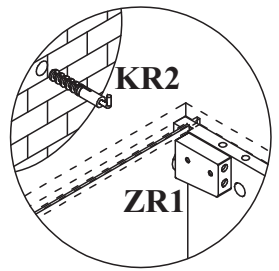
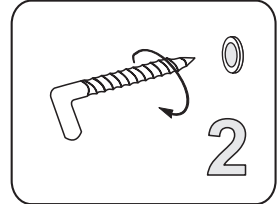
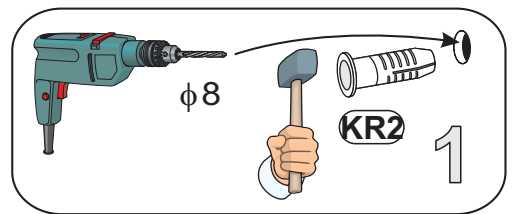
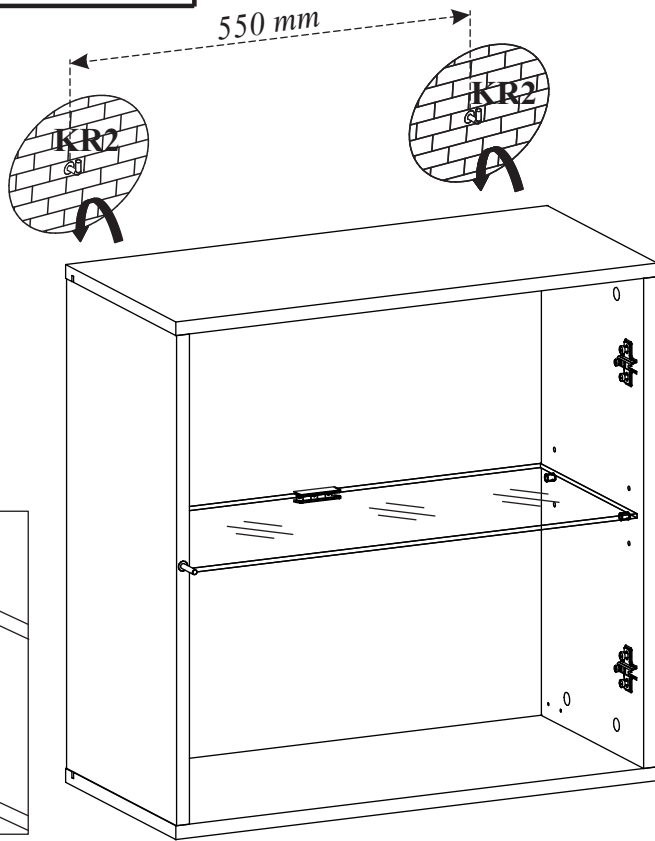


6

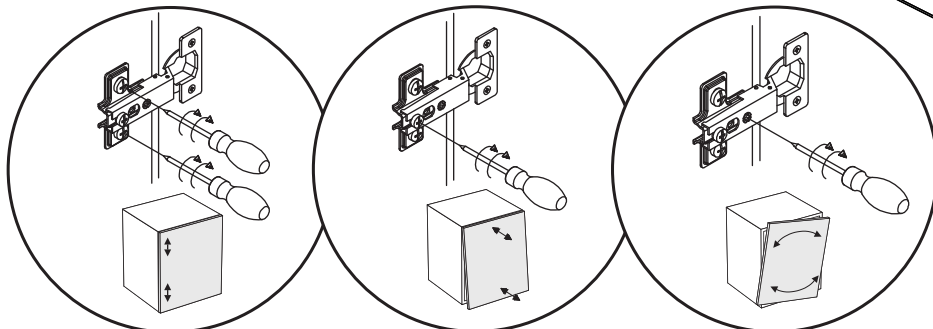
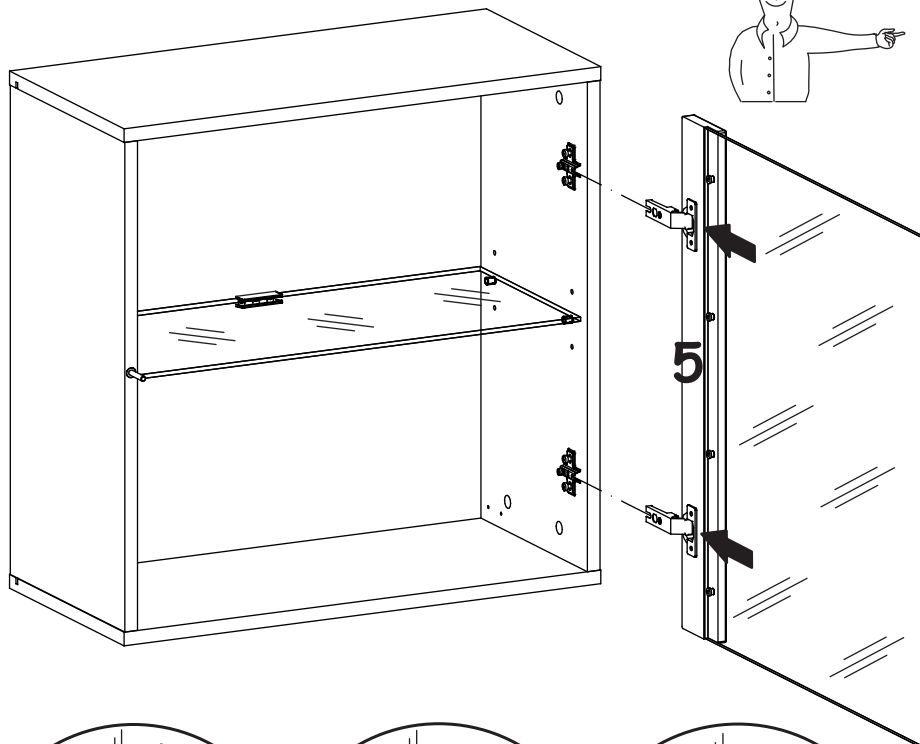


SWITCH WW 3

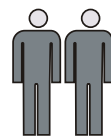
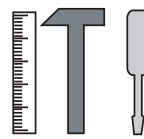
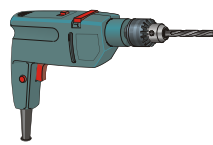
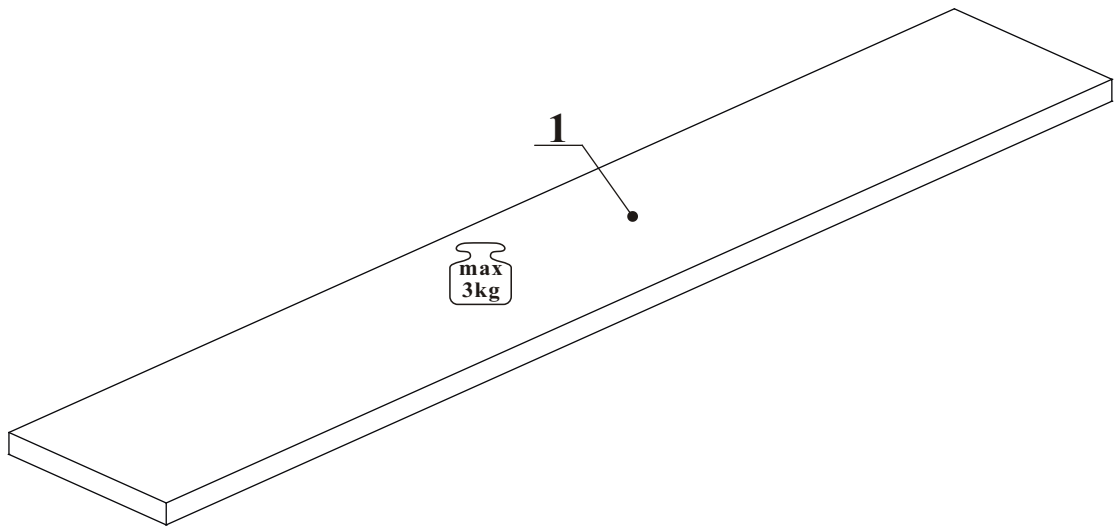
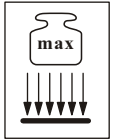
7



8



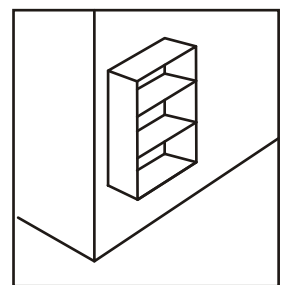
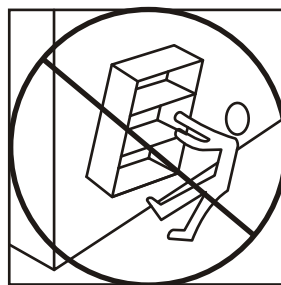
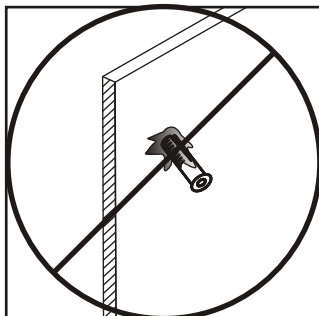
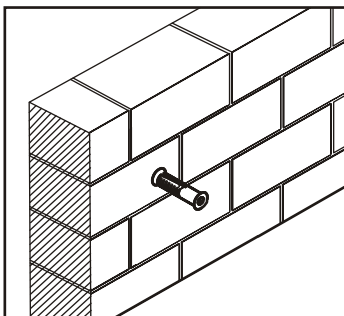
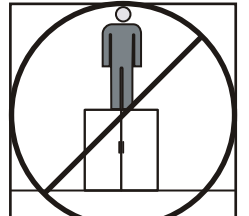
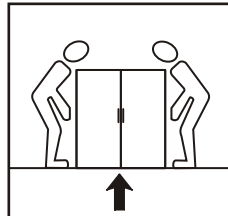
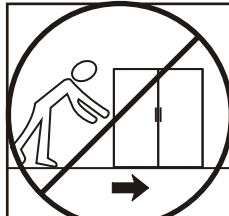
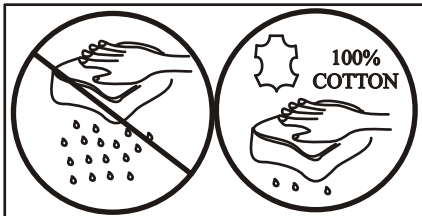
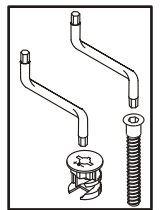
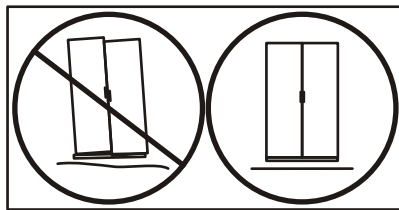
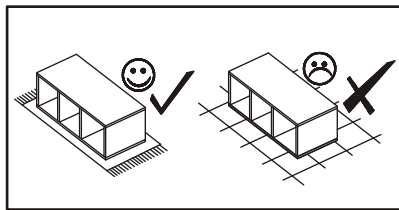
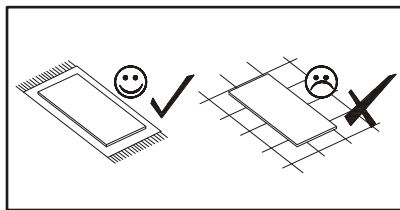
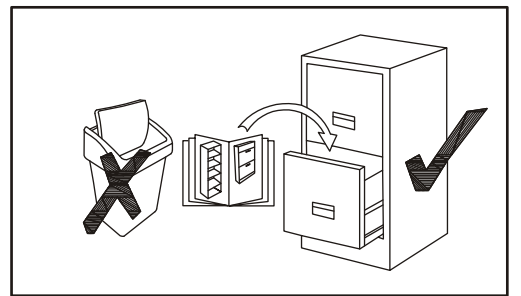
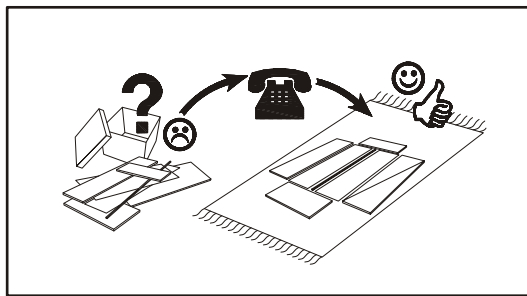
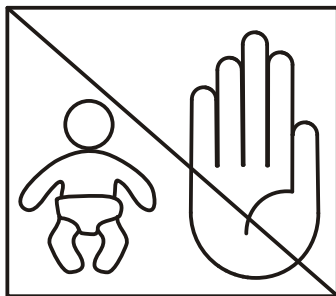
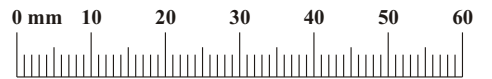
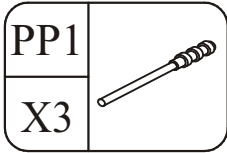
# SWITCH PW 2



10 min

NO	Dim.		Col.-No	Qty
1	1202	200	1	1

SWITCH PW 2





SWITCH PW 2

