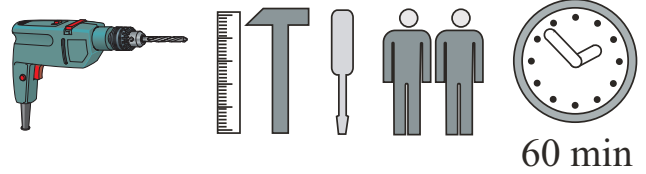
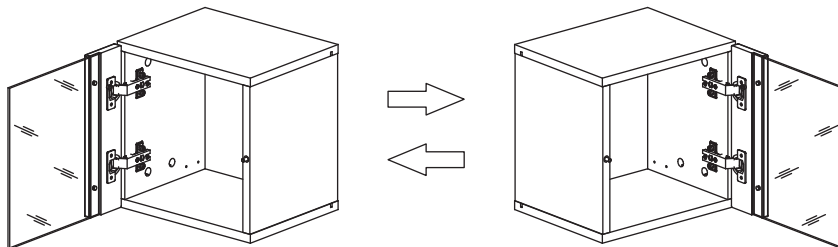
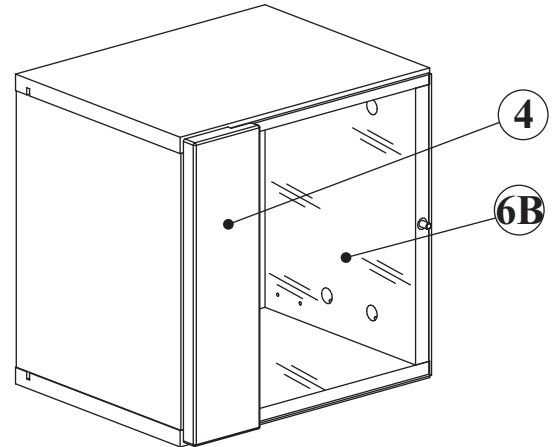
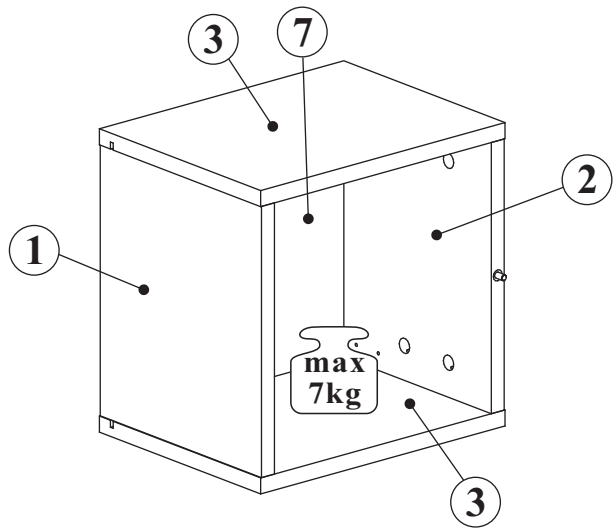
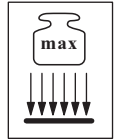


SWITCH 27 -- SW WW 5

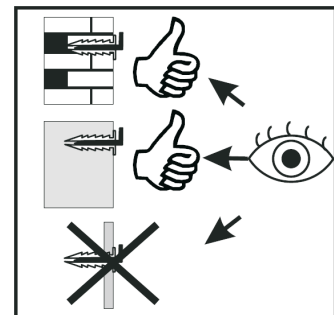
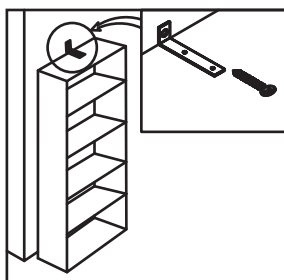
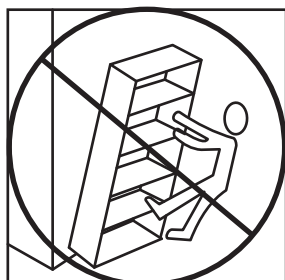
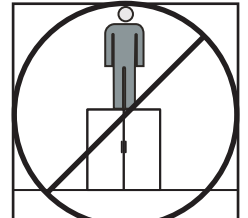
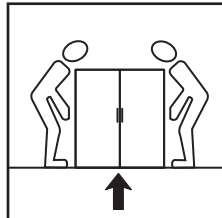
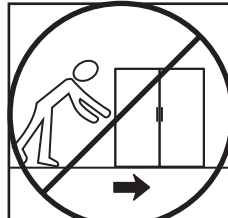
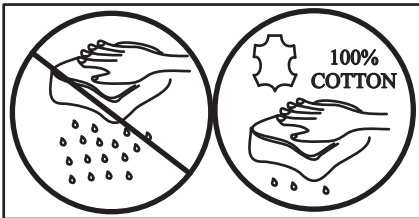
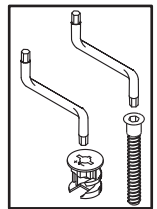
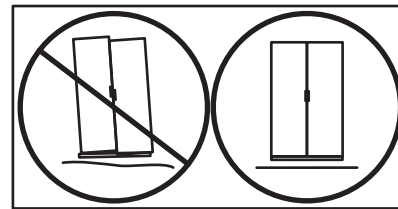
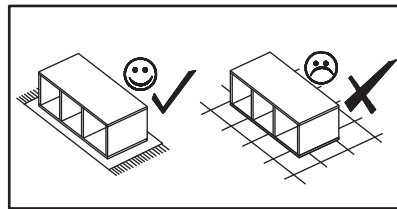
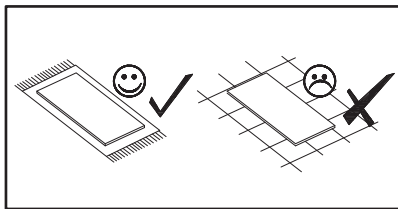
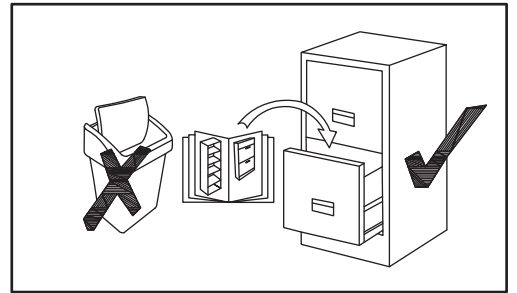
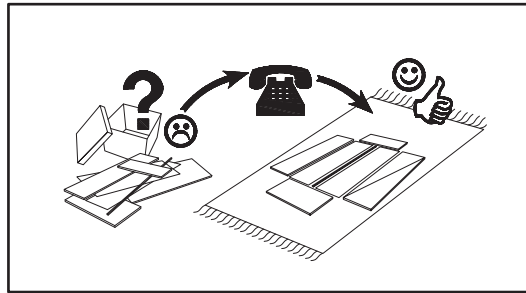
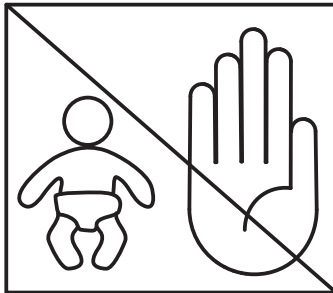
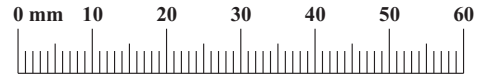


60 min

NO	Dim.			Col-No	Qty
1	270	234	16	1	1
2	270	234	16	1	1
3	302	234	16	1	2
7	282	280	3	1	1
4	80	296	16	1	1
6B	294	241	4	1	1

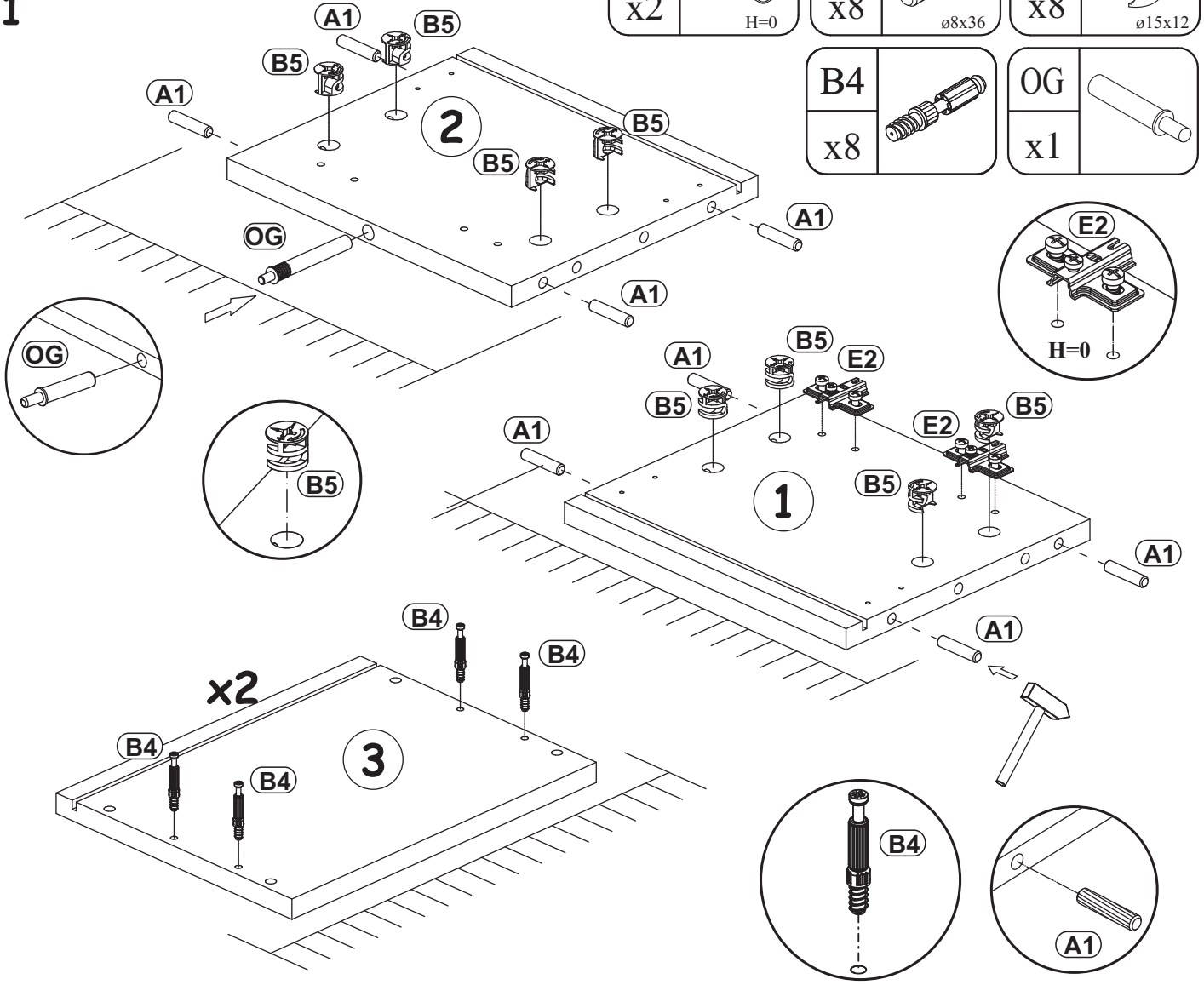
SWITCH WW 5

A1 x8 ø8x36	B4 x8	G5 x8	B5 x8 ø15x12	ZR1 x2	D6 x4 USØ3,5x30
E1 x2 Ø26 H=0	E2 x2 H=0	D10 x4 USØ3,5x13	OG x1	S1 x4	KR2 x2 Ø8
G2 x1	P2 x2	UP13 x2 UPØ3x16			

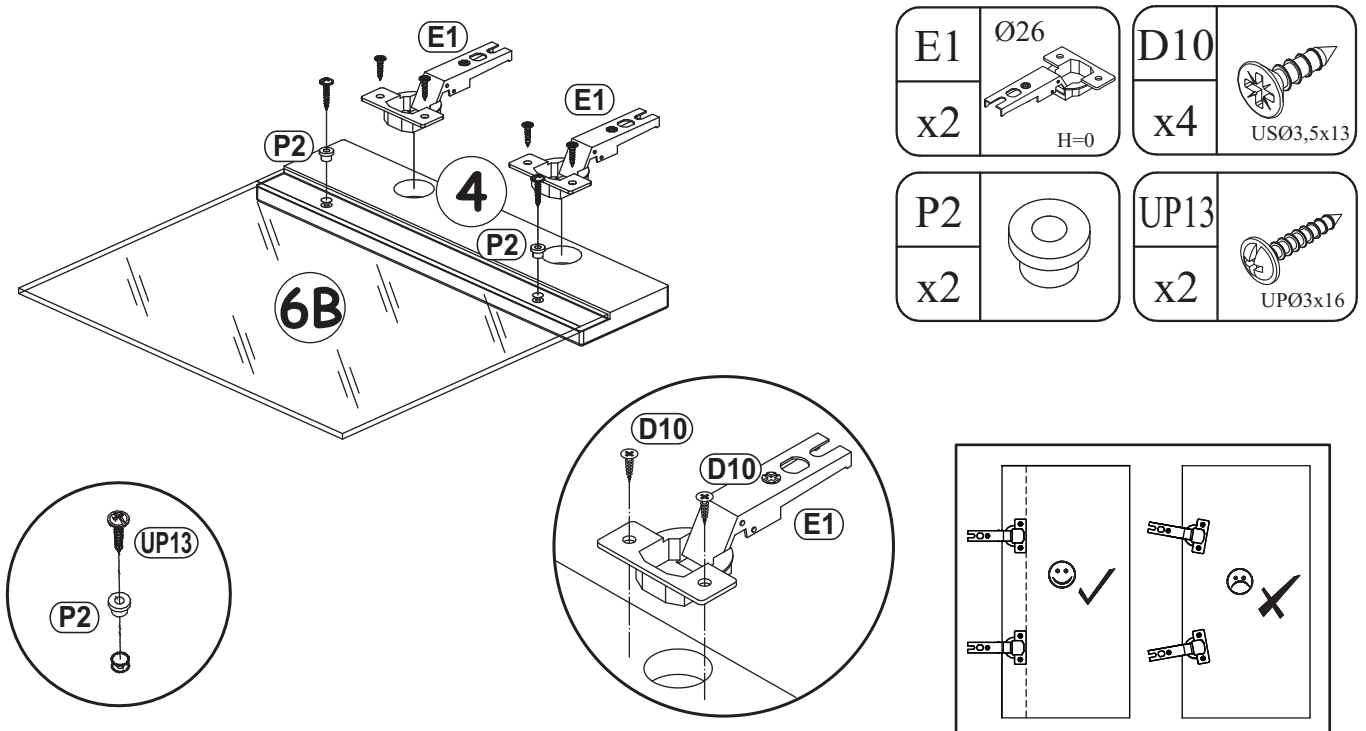


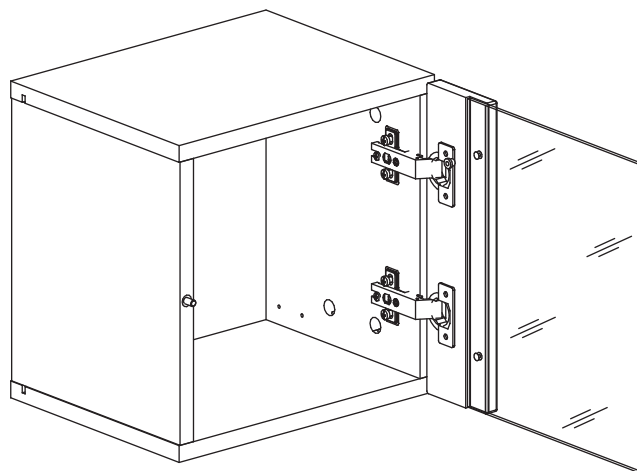
SWITCH WW 5

1

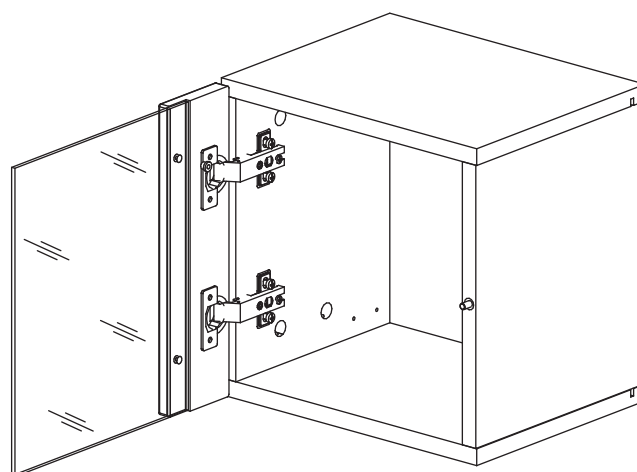


2





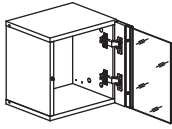
3 - 7




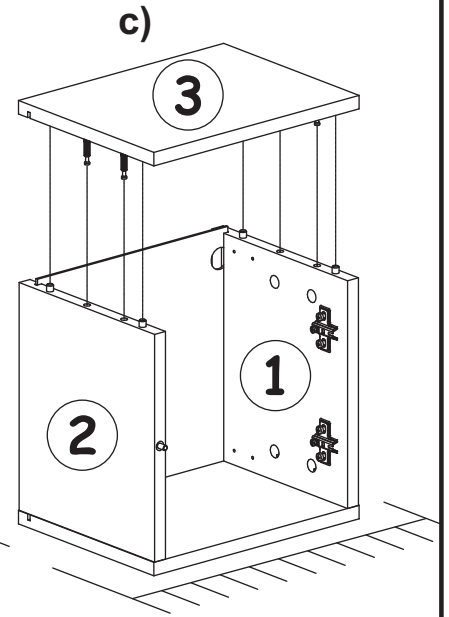
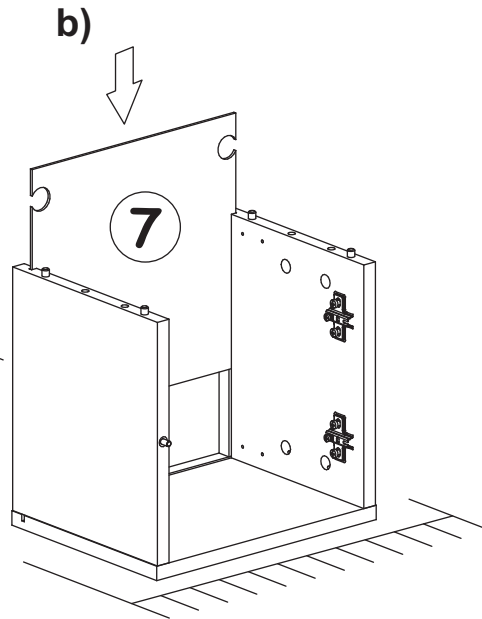
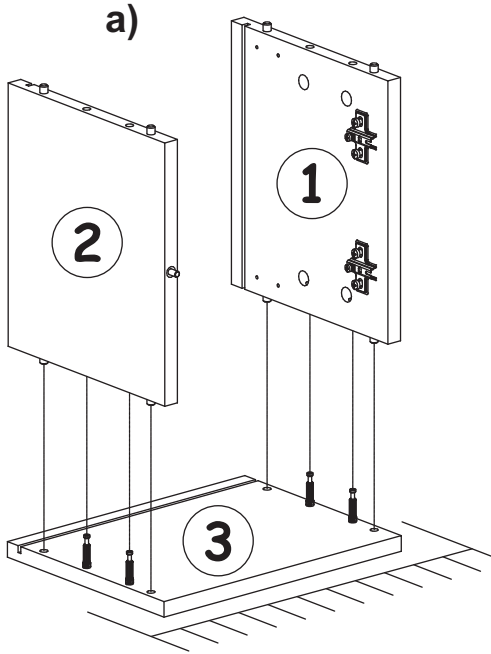
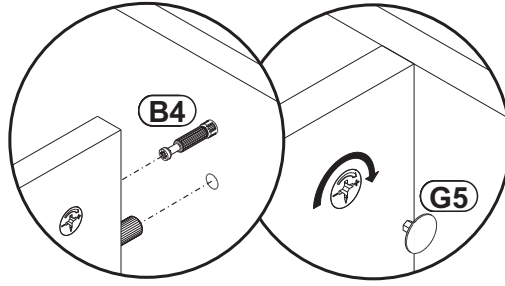
8 - 12

SWITCH WW 5

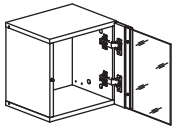
3

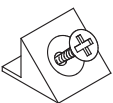


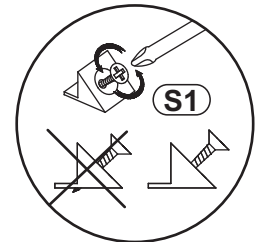
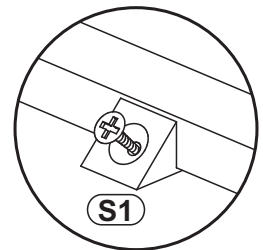
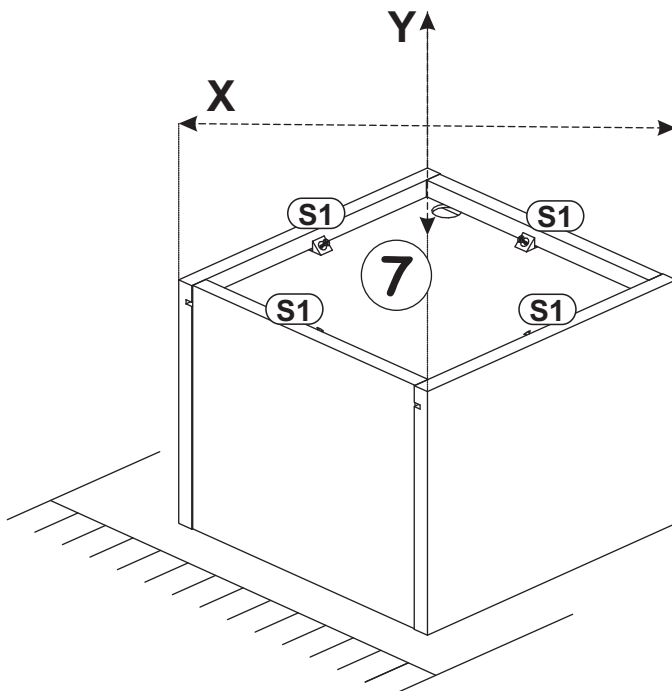
G5	
x8	



4

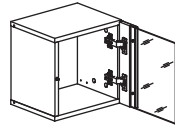


S1	
x4	

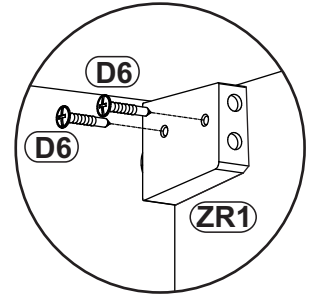
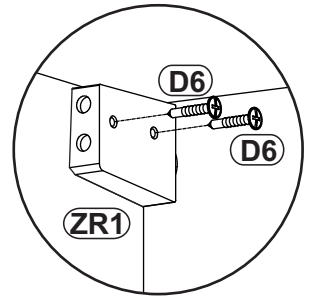
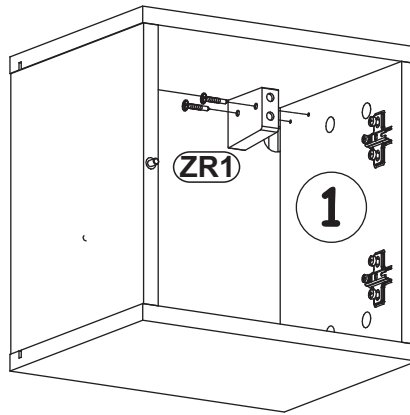
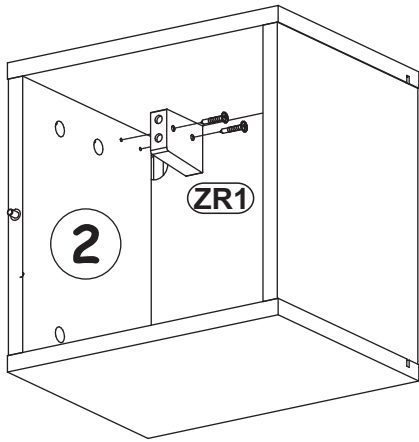


SWITCH WW 5

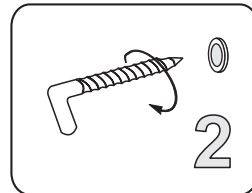
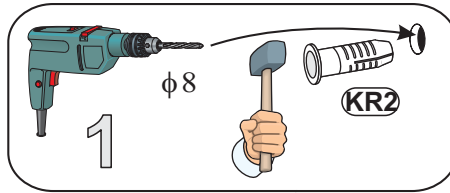
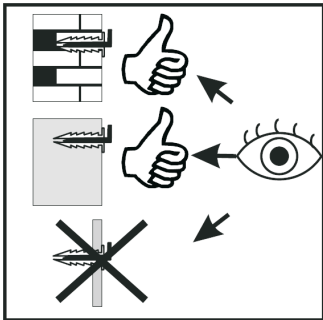
5



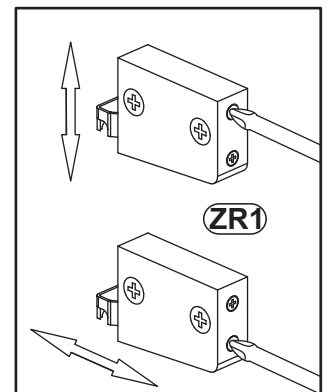
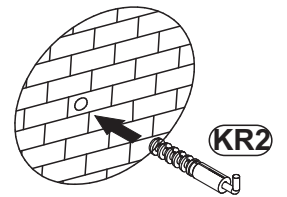
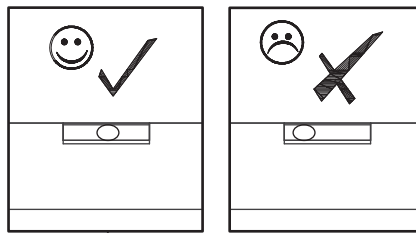
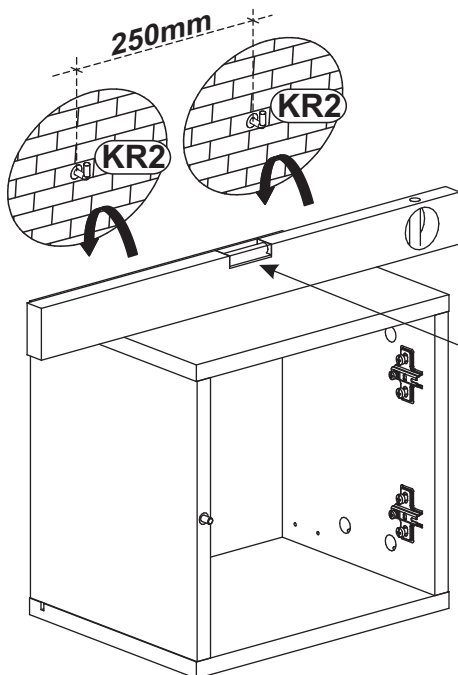
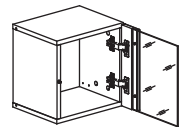
ZR1		D6	
x2		x4	USØ3,5x30



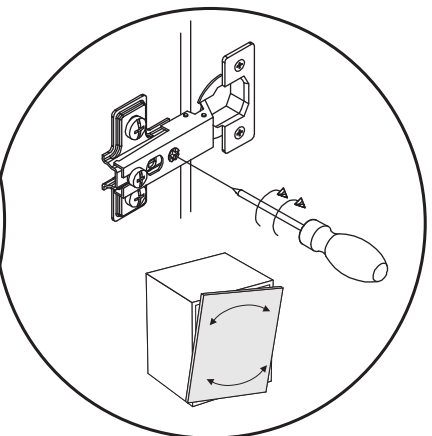
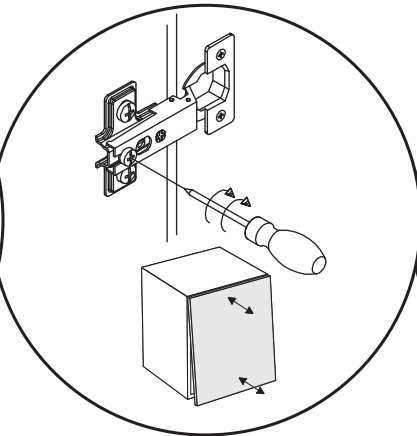
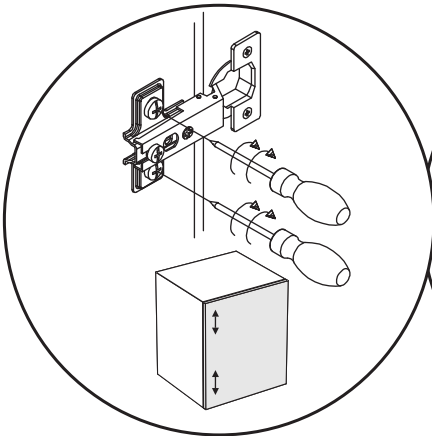
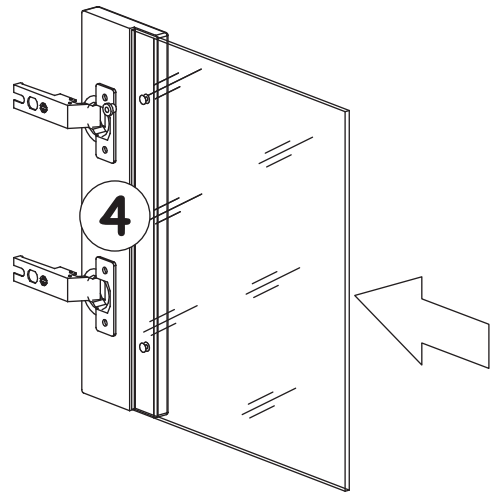
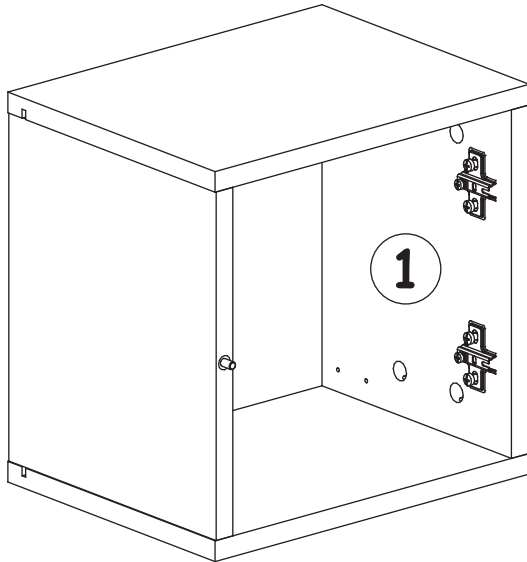
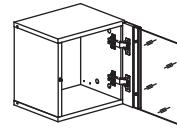
6



KR2	
x2	Ø8

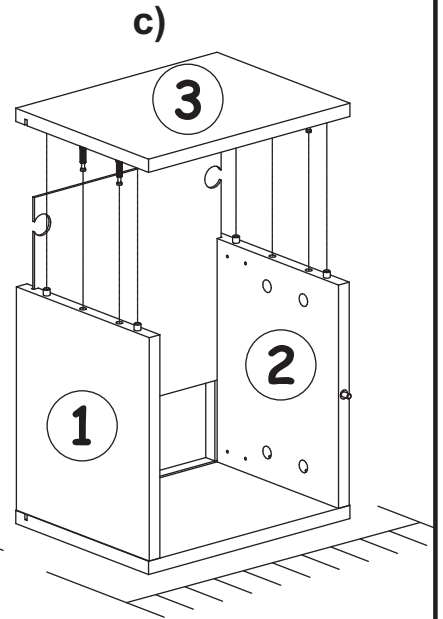
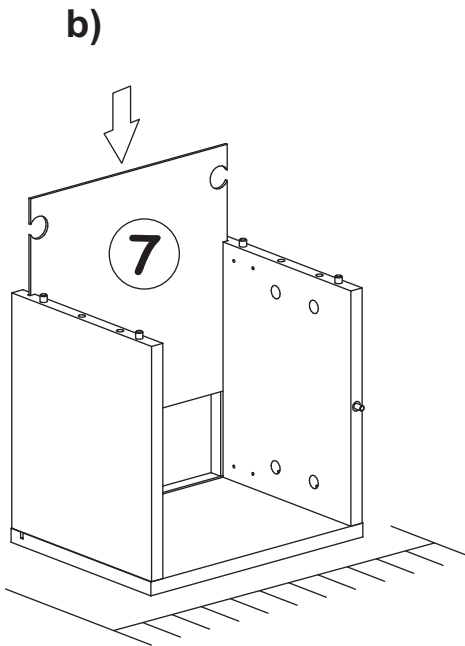
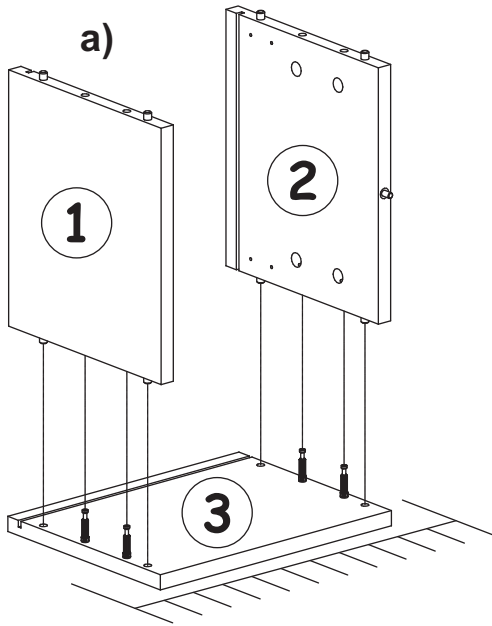
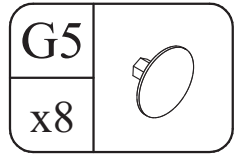
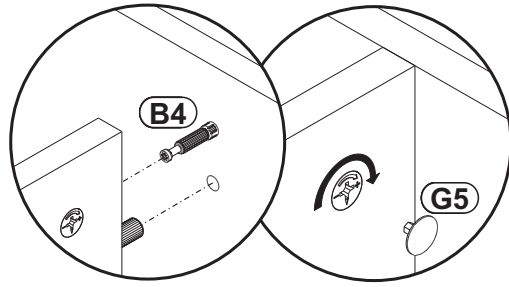
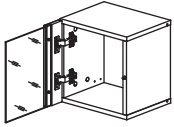


7

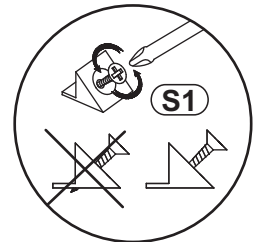
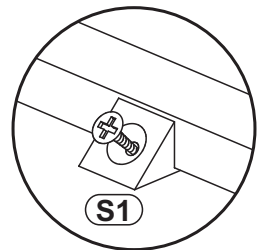
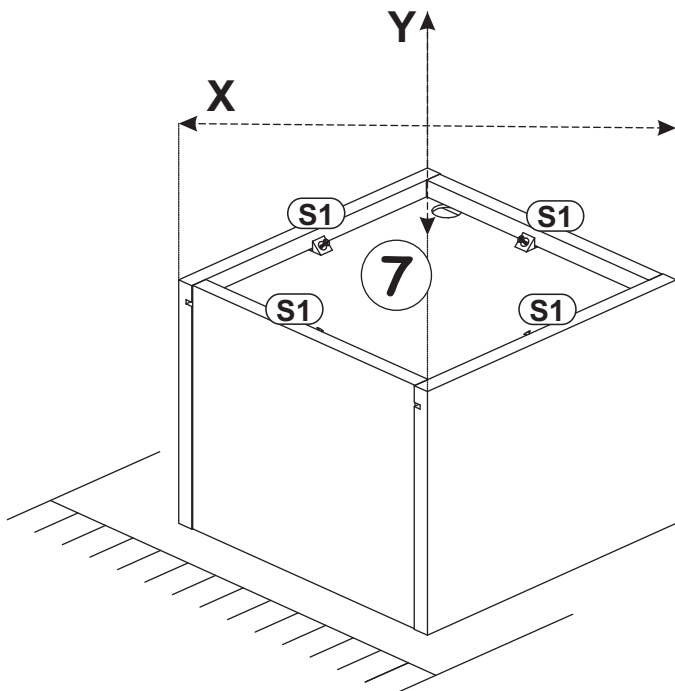
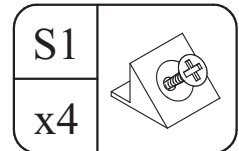
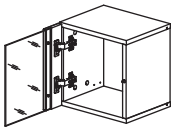


SWITCH WW 5

8

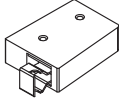



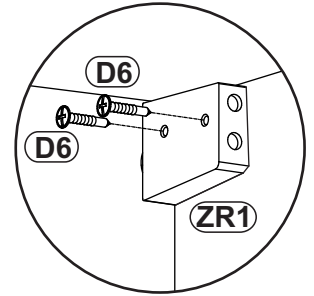
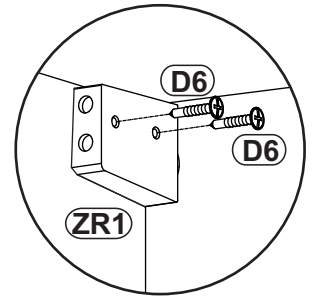
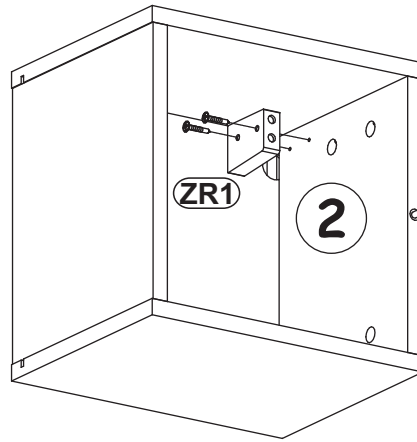
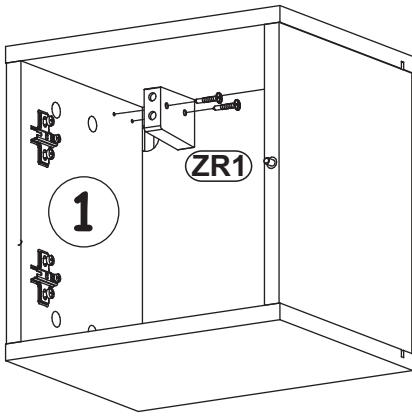
9



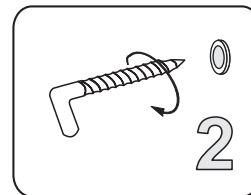
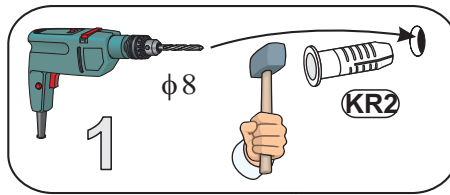
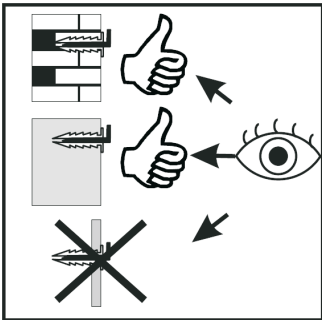
SWITCH WW 5


10

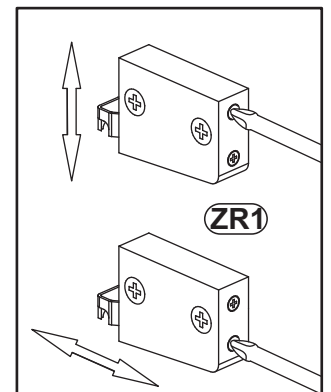
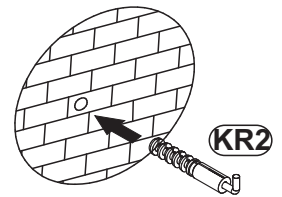
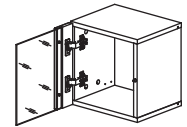
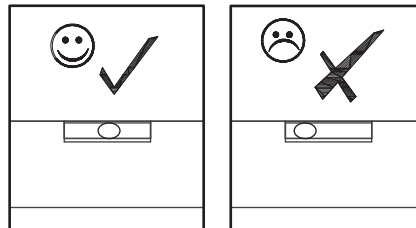
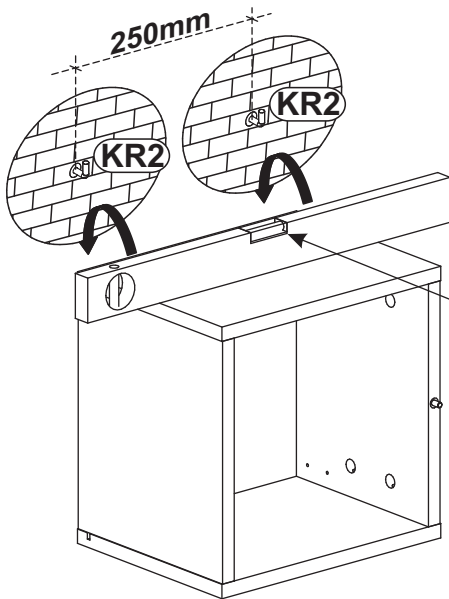
ZR1		D6	
x2		x4	US03,5x30



11



KR2	
x2	Ø8



12

