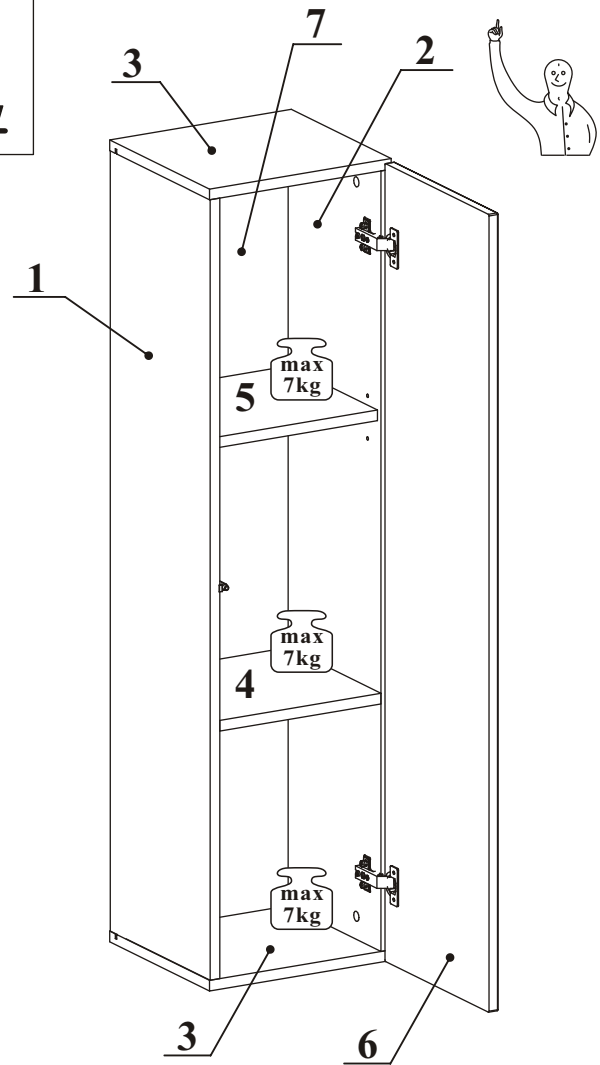
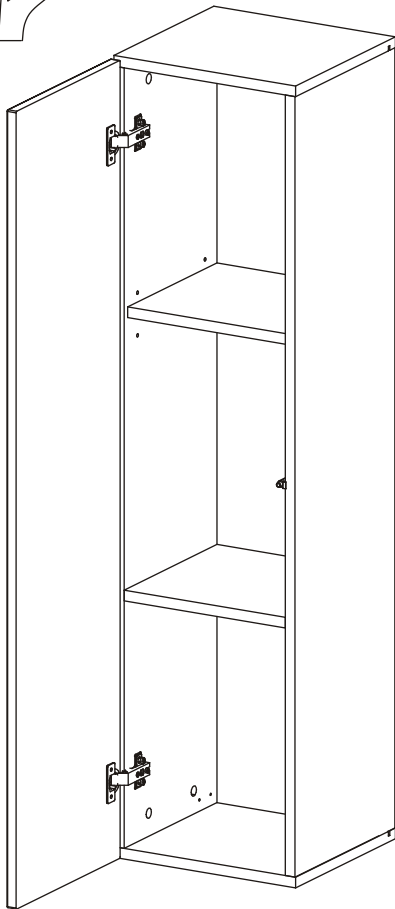
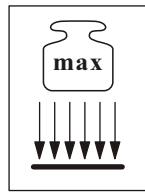
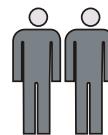
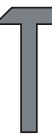
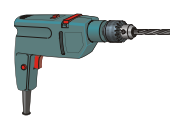


# SWITCH SW2



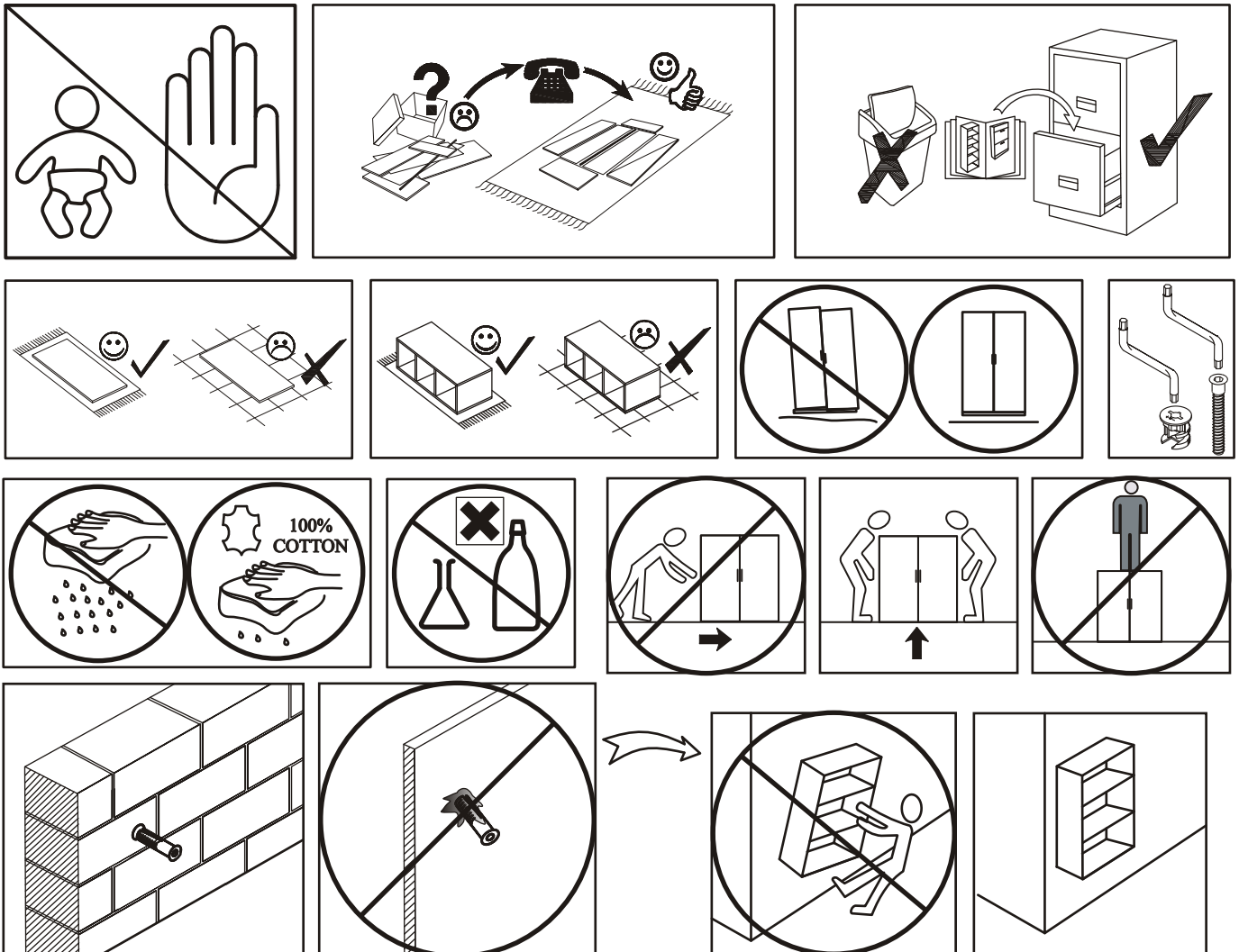
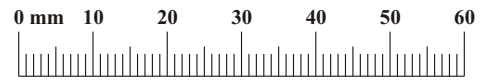
NO	Dim.		Col.-No	Qty
1	1170	284	1	1
2	1170	284	1	1
3	302	284	1	2
5	268	254	1	1
4	268	264	1	1
7	1182	280	1	1
6	296	1196	1	1



60 min

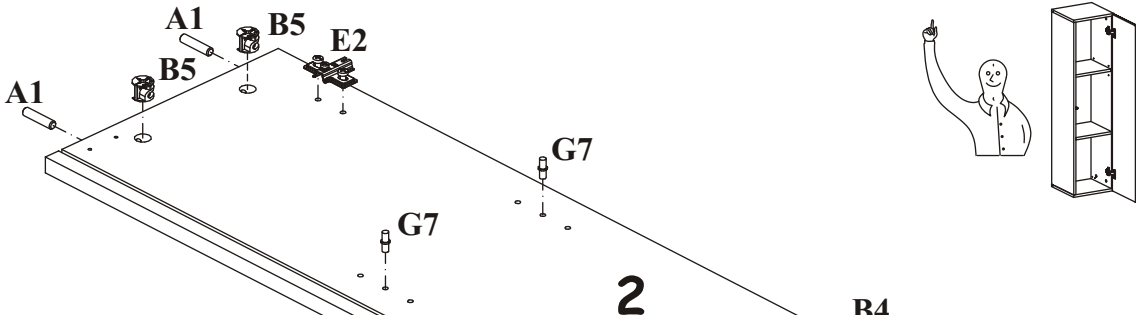
# SWITCH - SW2

A1 X12 ø8x36	B4 X12	G5 X12	B5 X12 ø15x12	G7 X4	S1 X10
Z2 X4 ø5	D10 X6 USØ3,5x13	G2 X1	E1 X2 Ø26 H=0	E2 X2 H=0	ZR1 X2
D6 X4 USØ3,5x30	OD1 X1	KR2 X2			

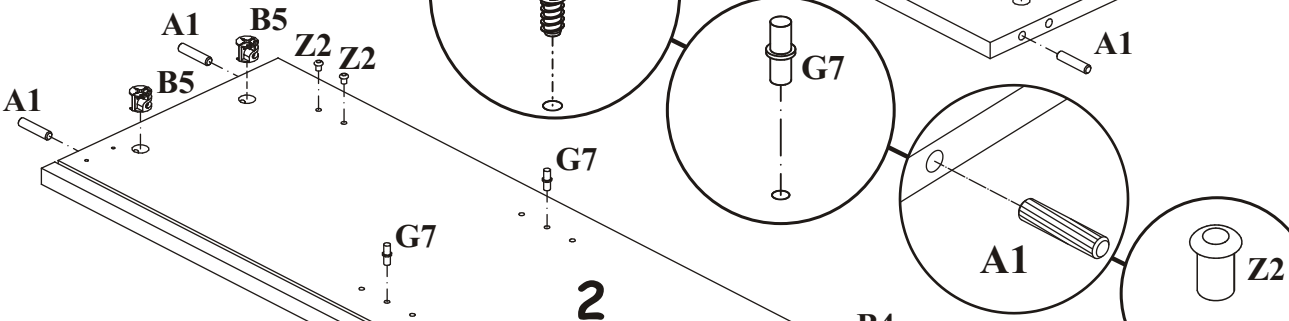
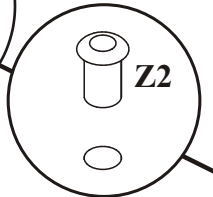
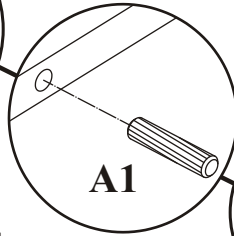
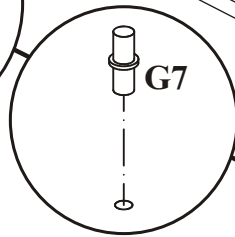
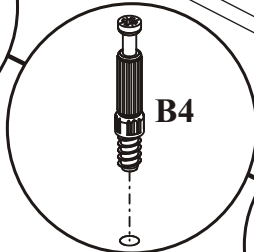
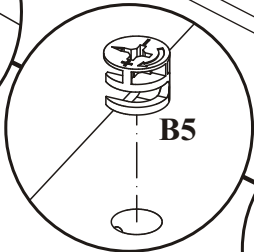
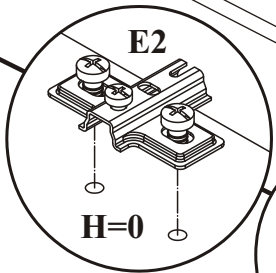
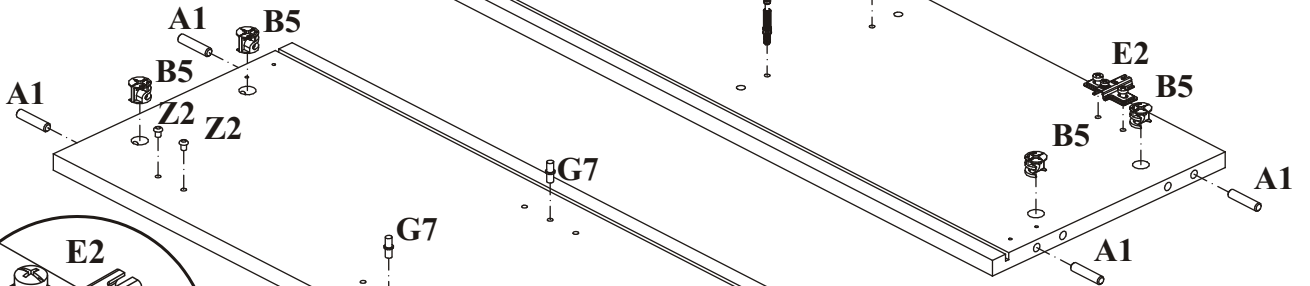


# SWITCH - SW2

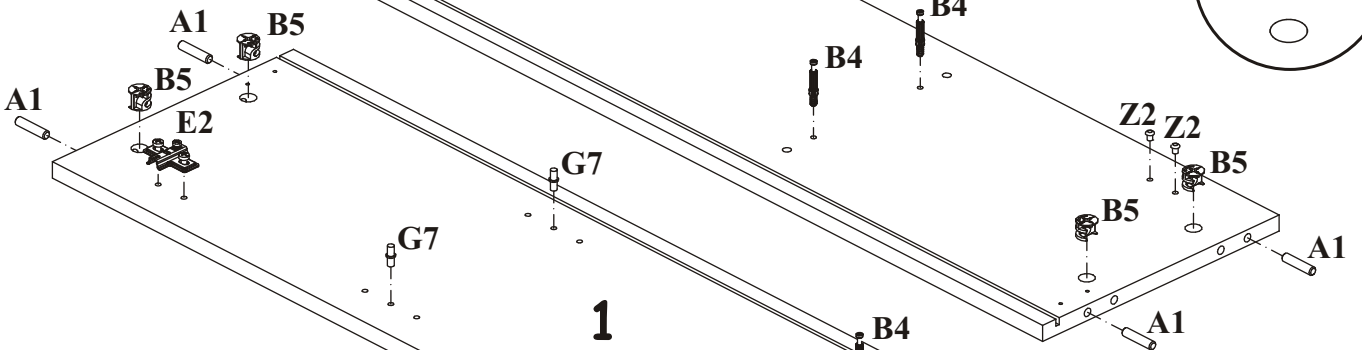
1



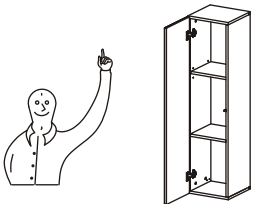
2



2



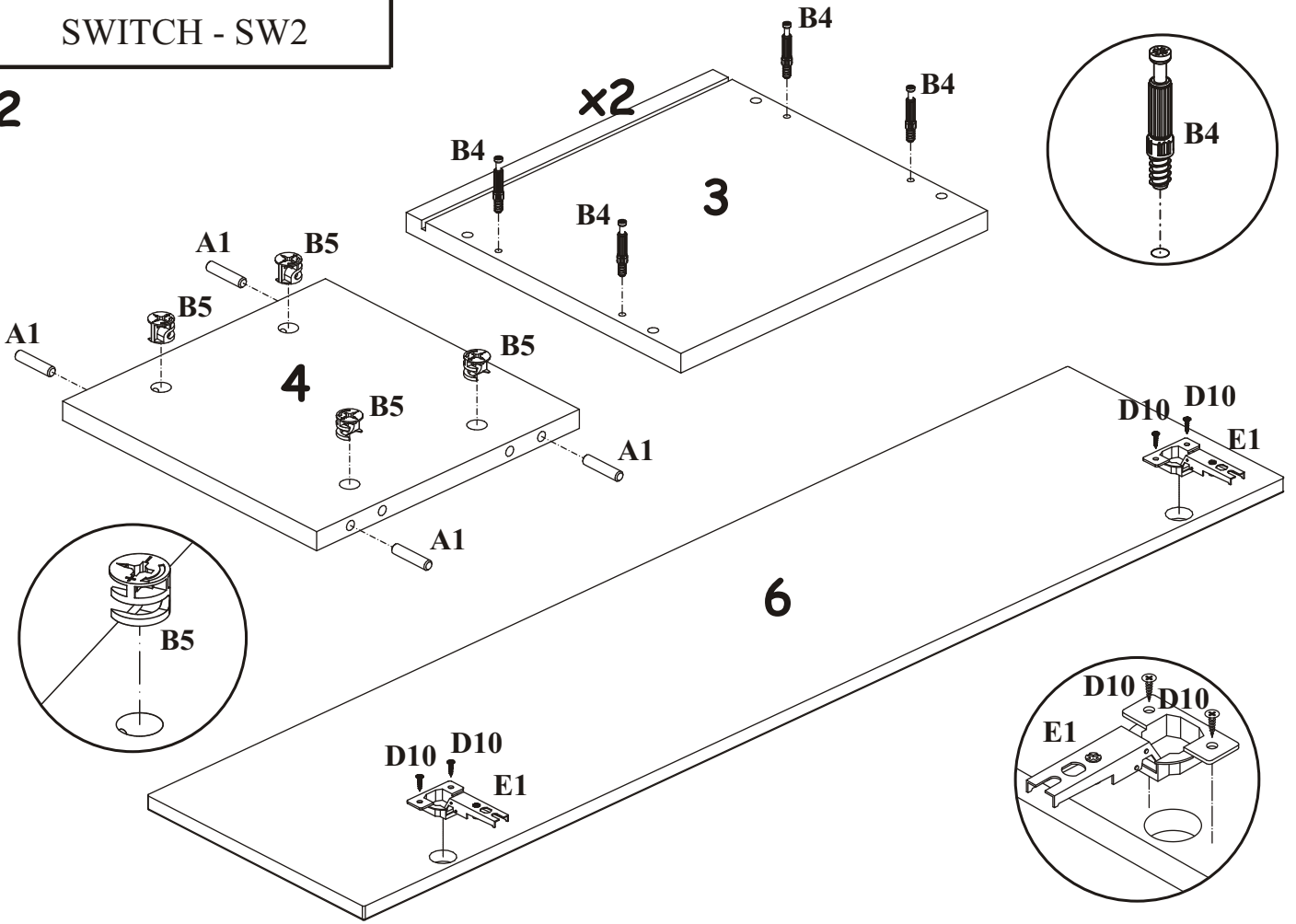
1



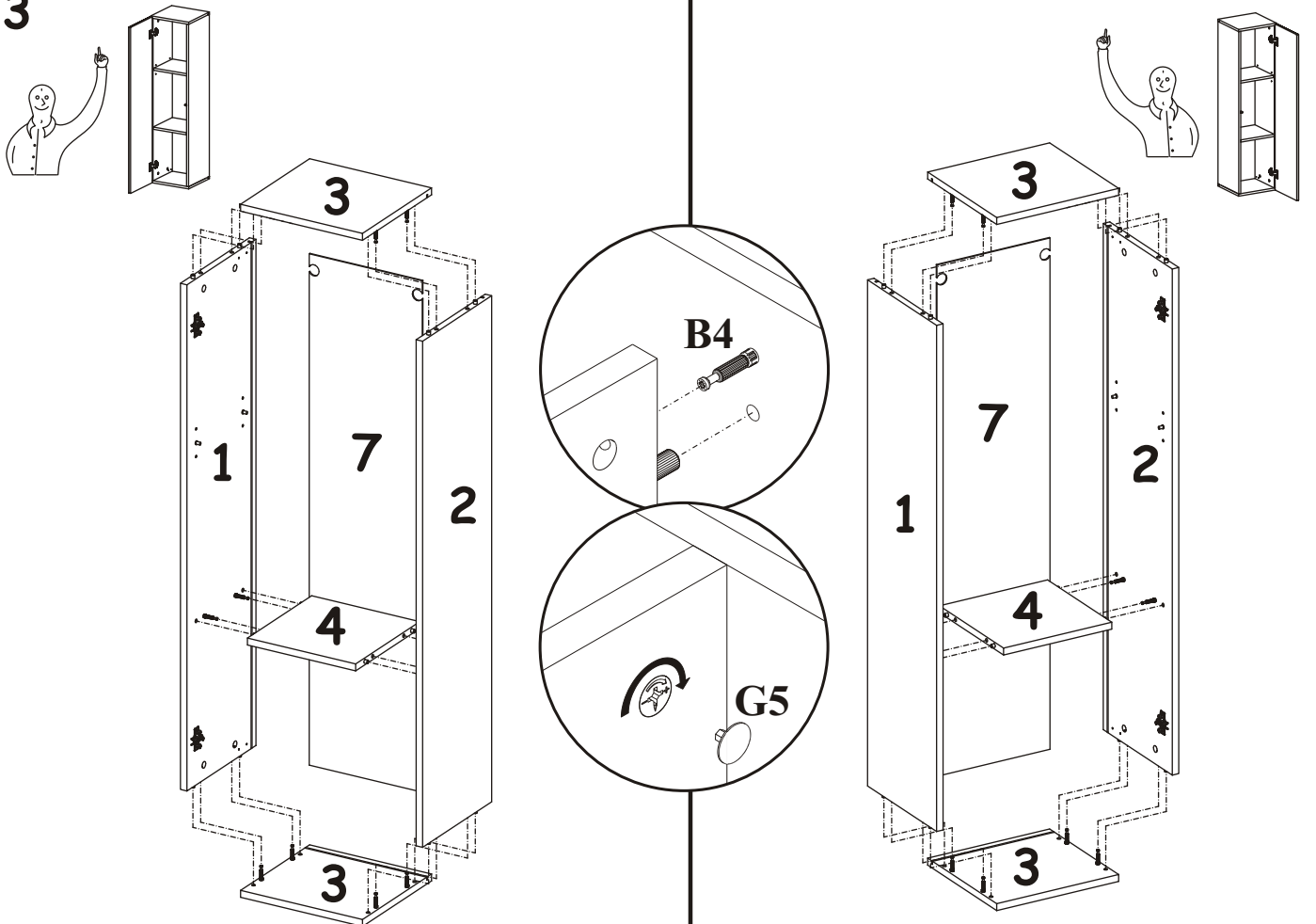
1

SWITCH - SW2

2

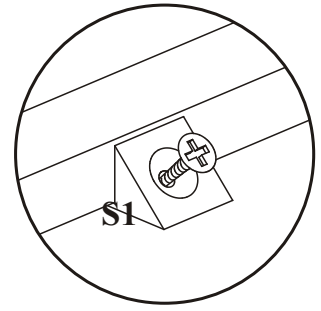
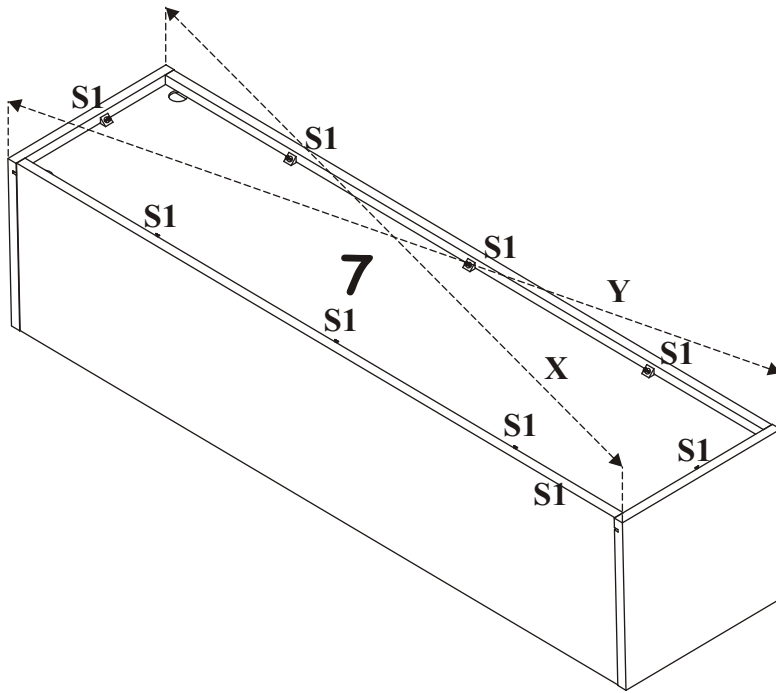


3



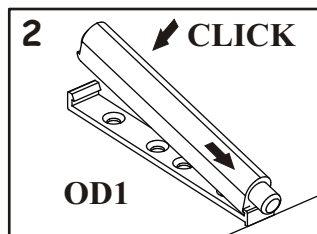
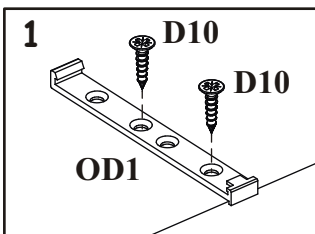
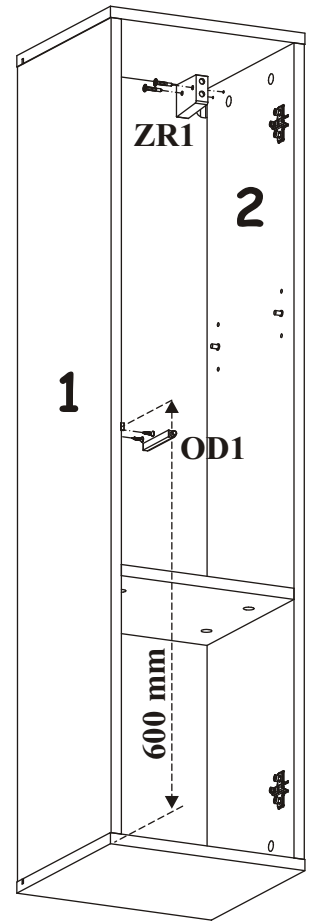
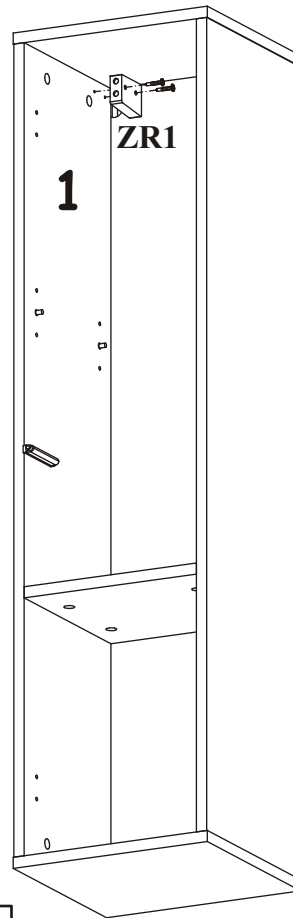
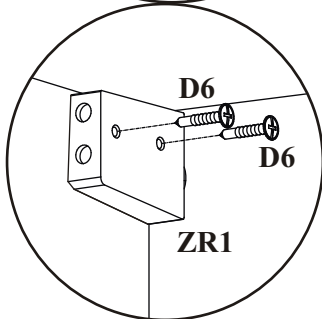
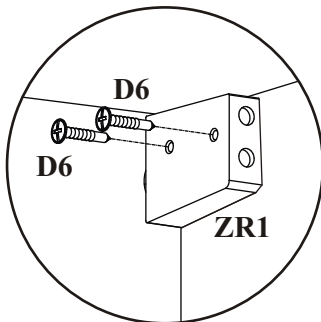
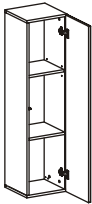
SWITCH - SW2

4



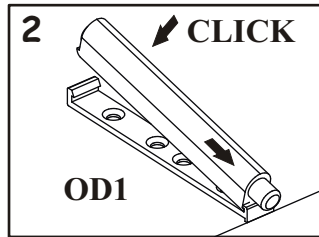
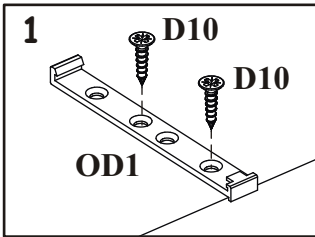
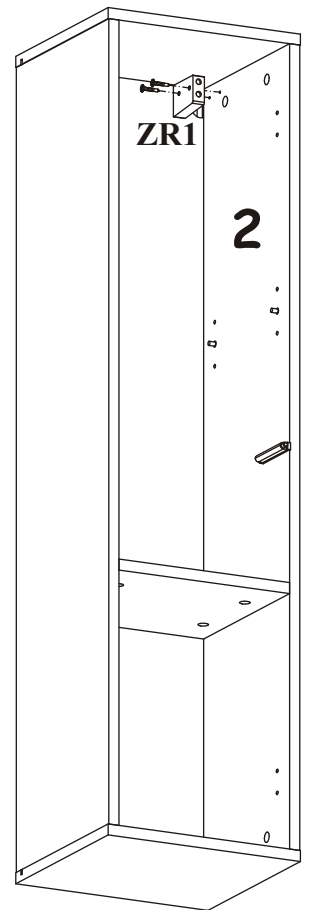
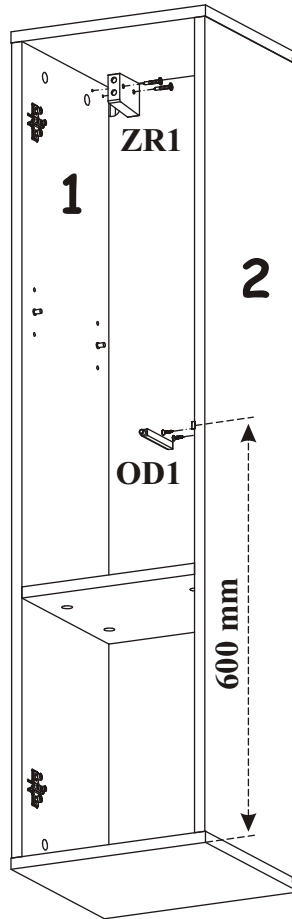
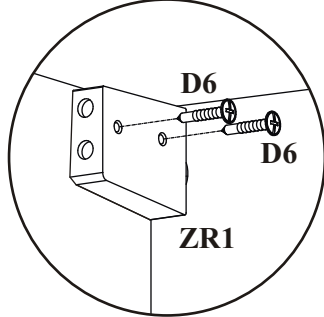
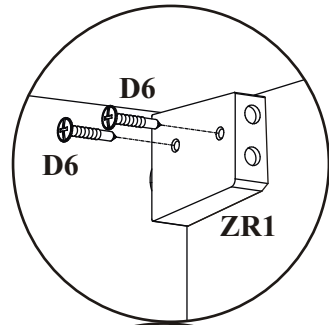
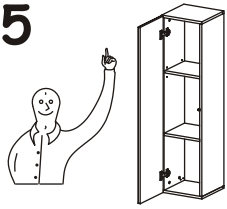
$X=Y$   $\begin{matrix} \uparrow \\ 90^\circ \end{matrix}$

5

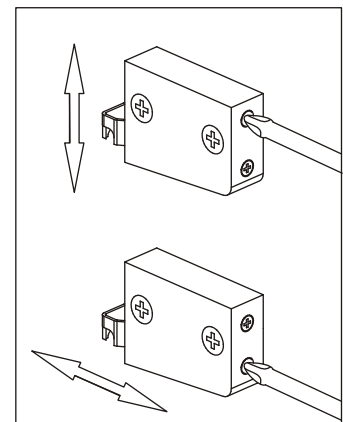
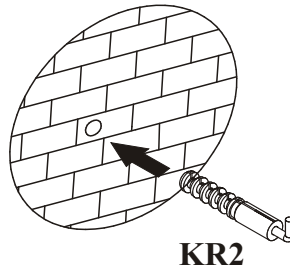
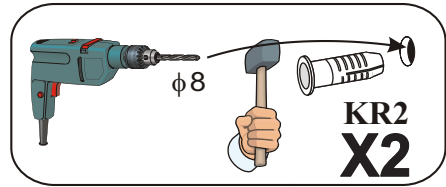
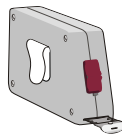
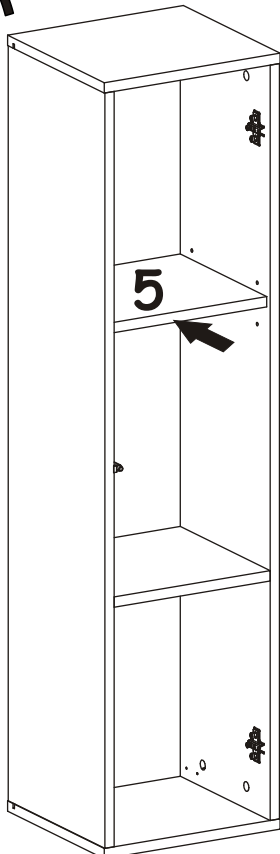
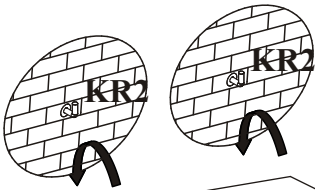


# SWITCH - SW2

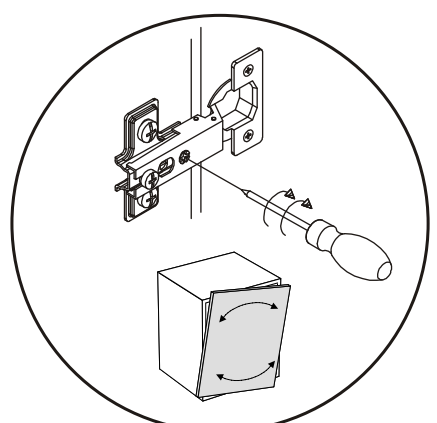
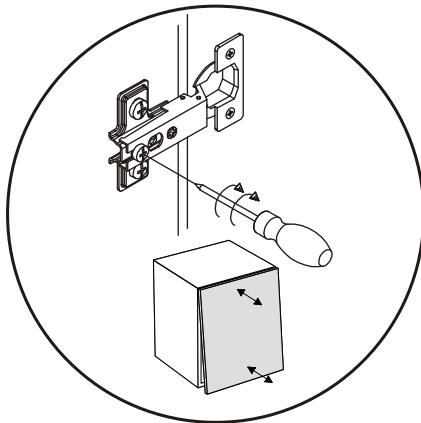
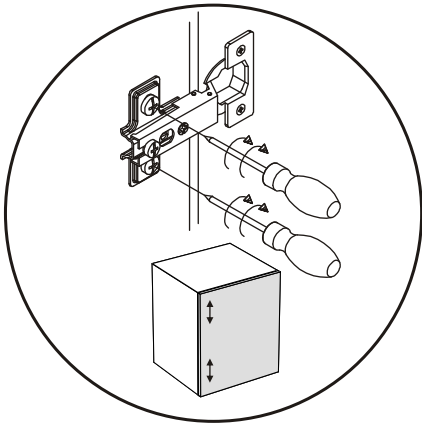
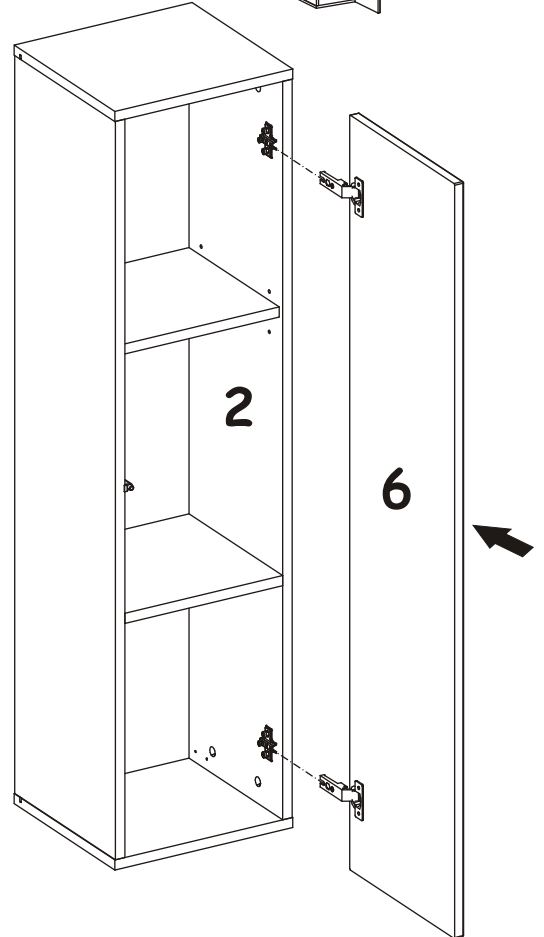
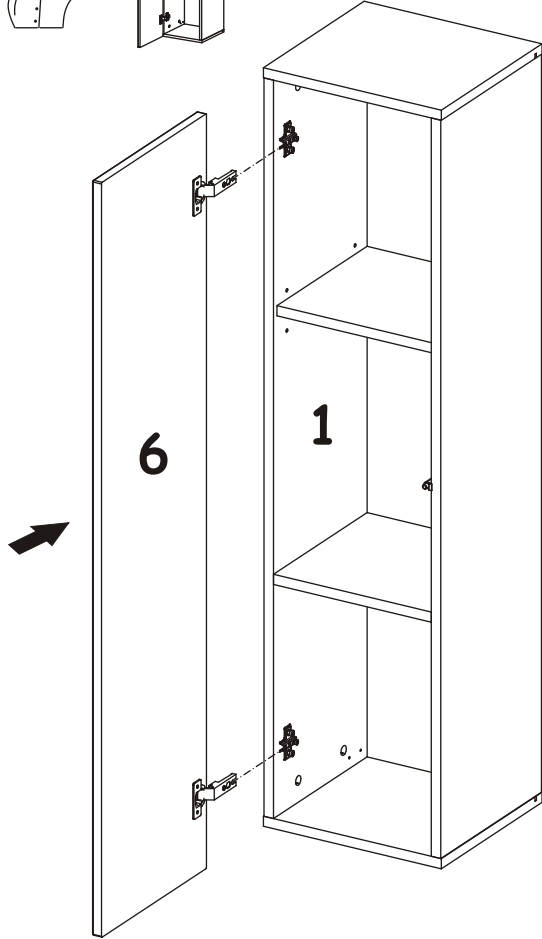
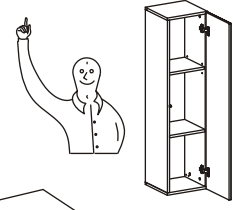
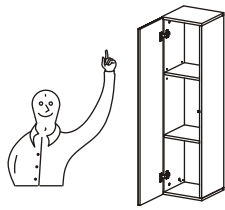
5



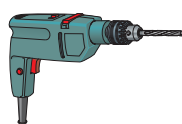
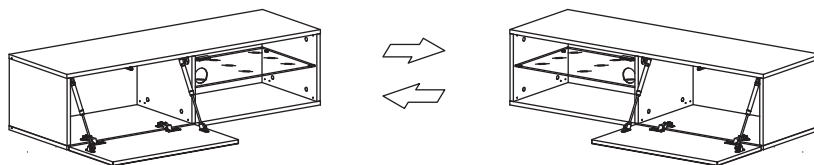
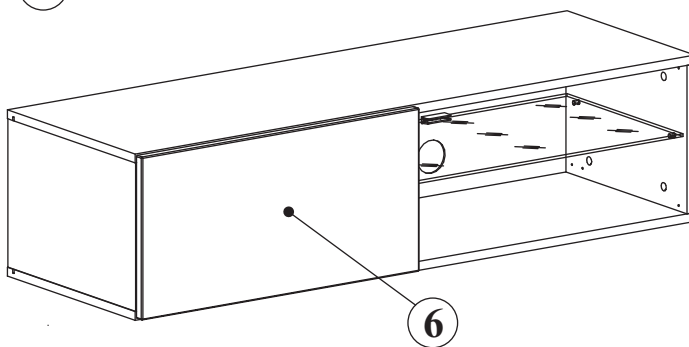
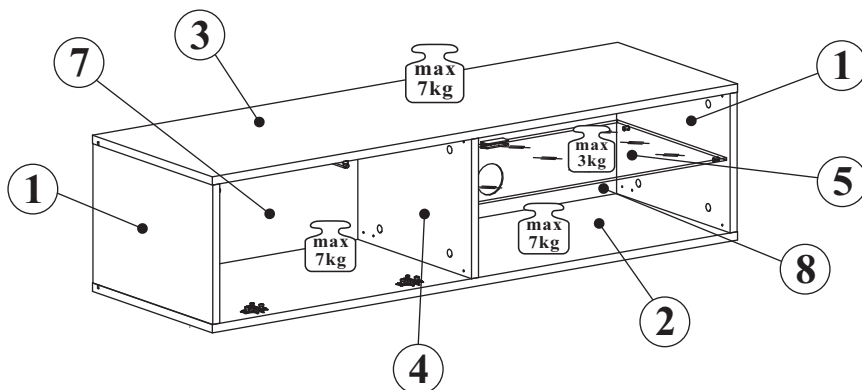
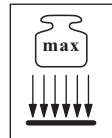
6



7



# SWITCH 27 -- SW RTV 4



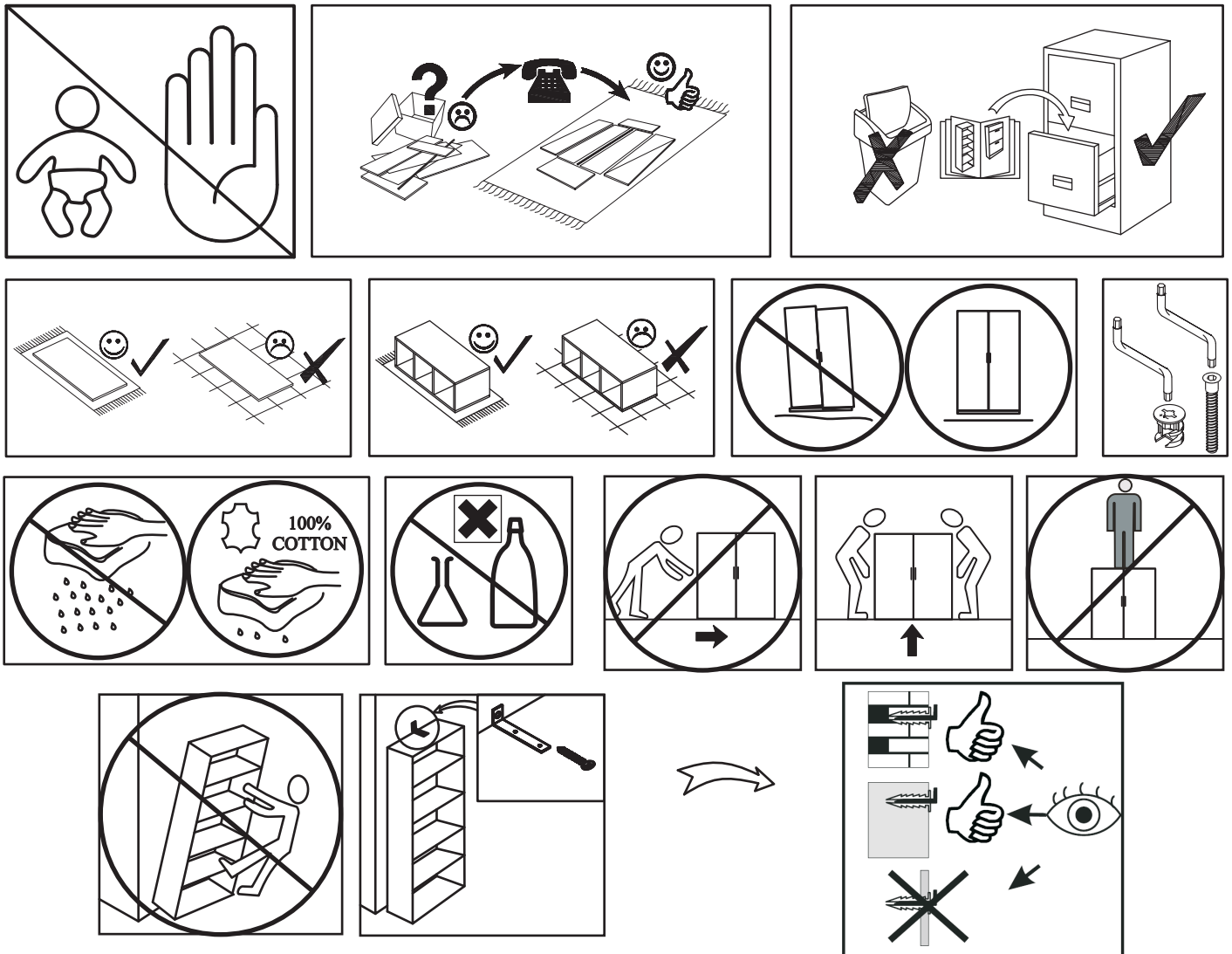
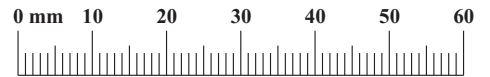
90 min

NO	Dim.			Col-No	Qty
1	268	384	16	1	2
2	1202	384	16	1	1
3	1202	384	16	1	1
4	268	364	16	1	1
6	596	294	16	1	1
5	574	349	5	1	1
7	589	280	3	1	1
8	589	280	3	1	1



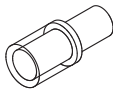
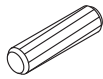


# SWITCH RTV 4

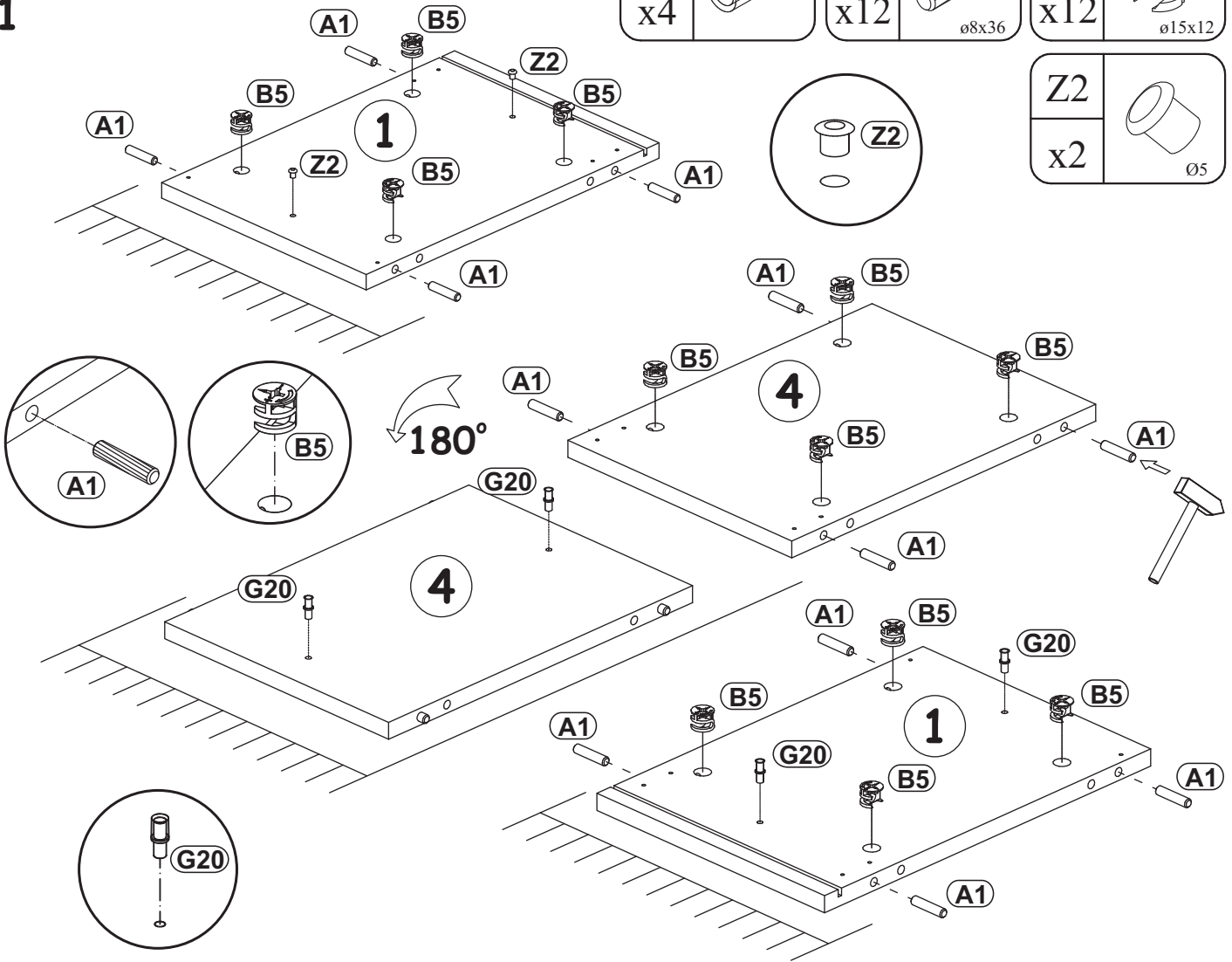
A1 x12 ø8x36	B4 x12	G5 x12	B5 x12 ø15x12	ZR1 x3	D6 x6 USØ3,5x30
E1 x2 Ø26 H=0	E2 x2 H=0	D10 x16 USØ3,5x13	T1 x1	S1 x10	B01 x2
KR2 x3 ø8	G2 x1	LED x1 x1	G20 x4	UP13 x2 UPØ3x16	G16 x2
Z2 x6 Ø5					




SWITCH RTV 4

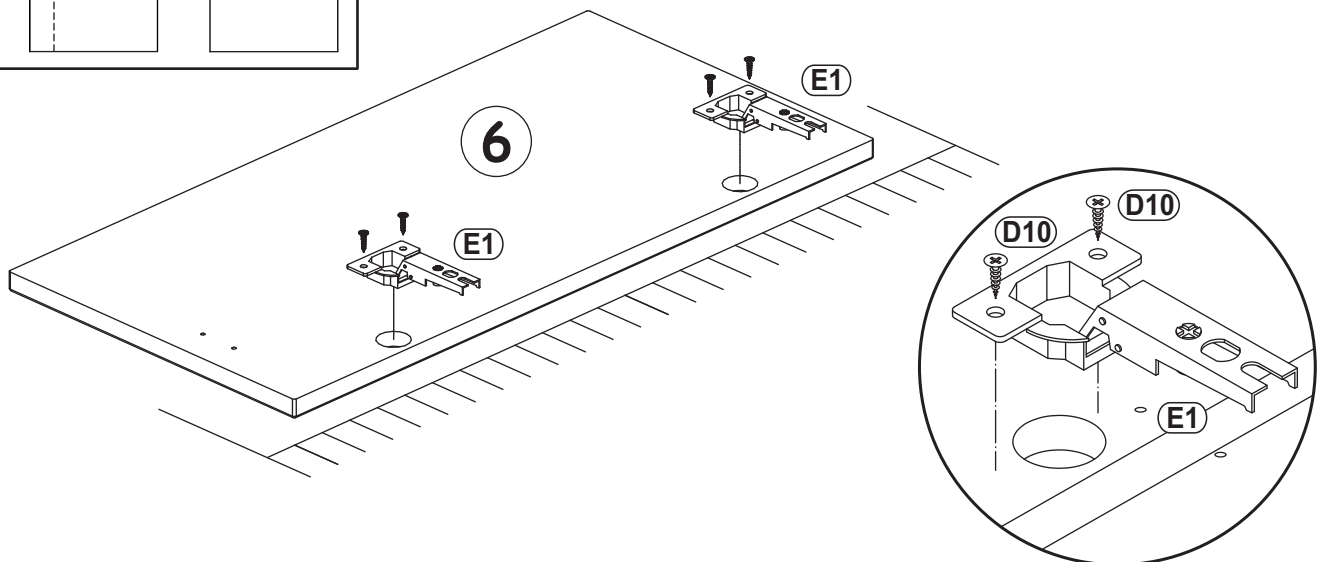
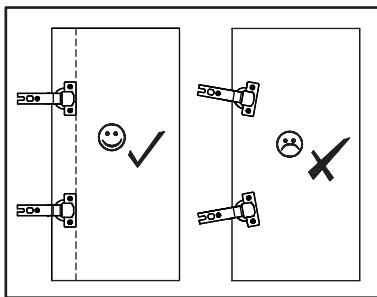
1

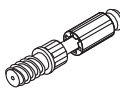
G20		A1		B5	
x4		x12	ø8x36	x12	ø15x12
			Z2		
			x2	Ø5	



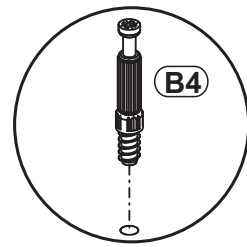
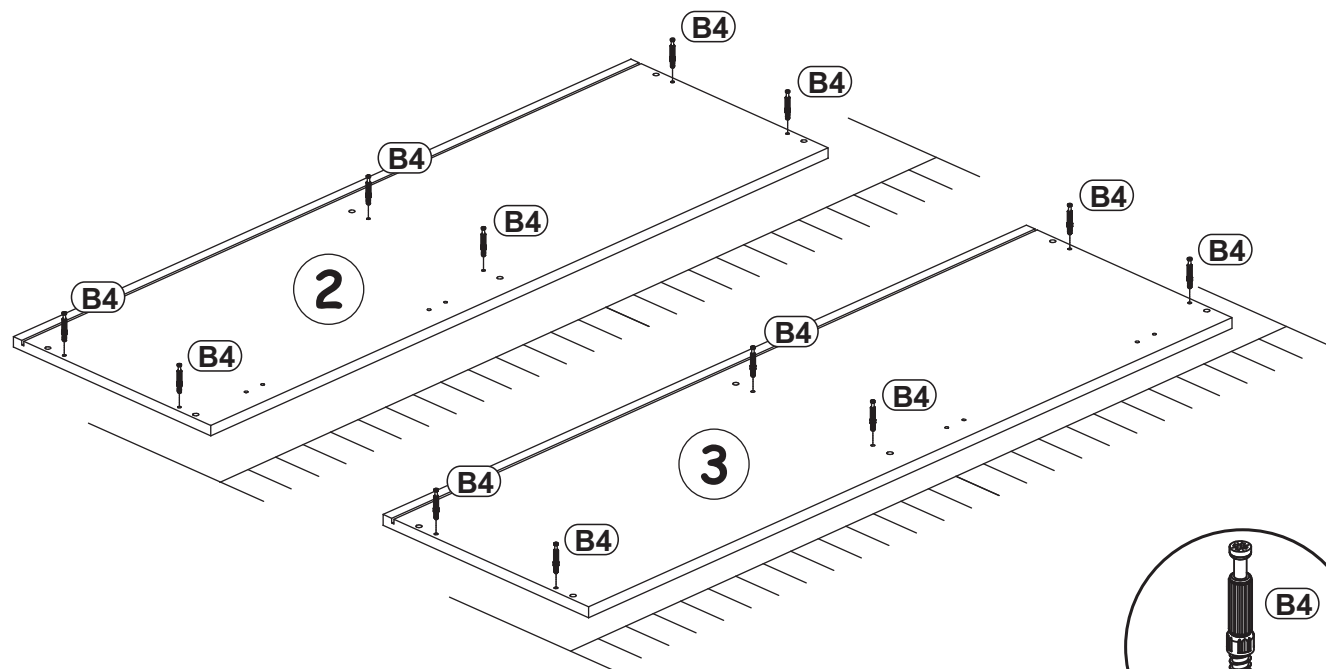
2

E1	Ø26	D10	
x2	H=0	x4	USØ3,5x13




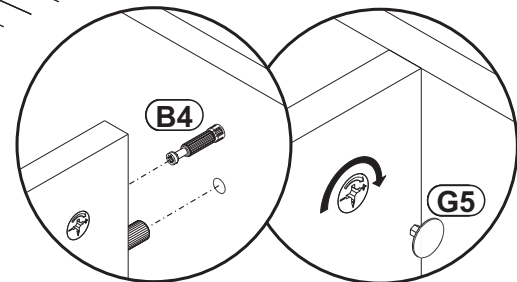
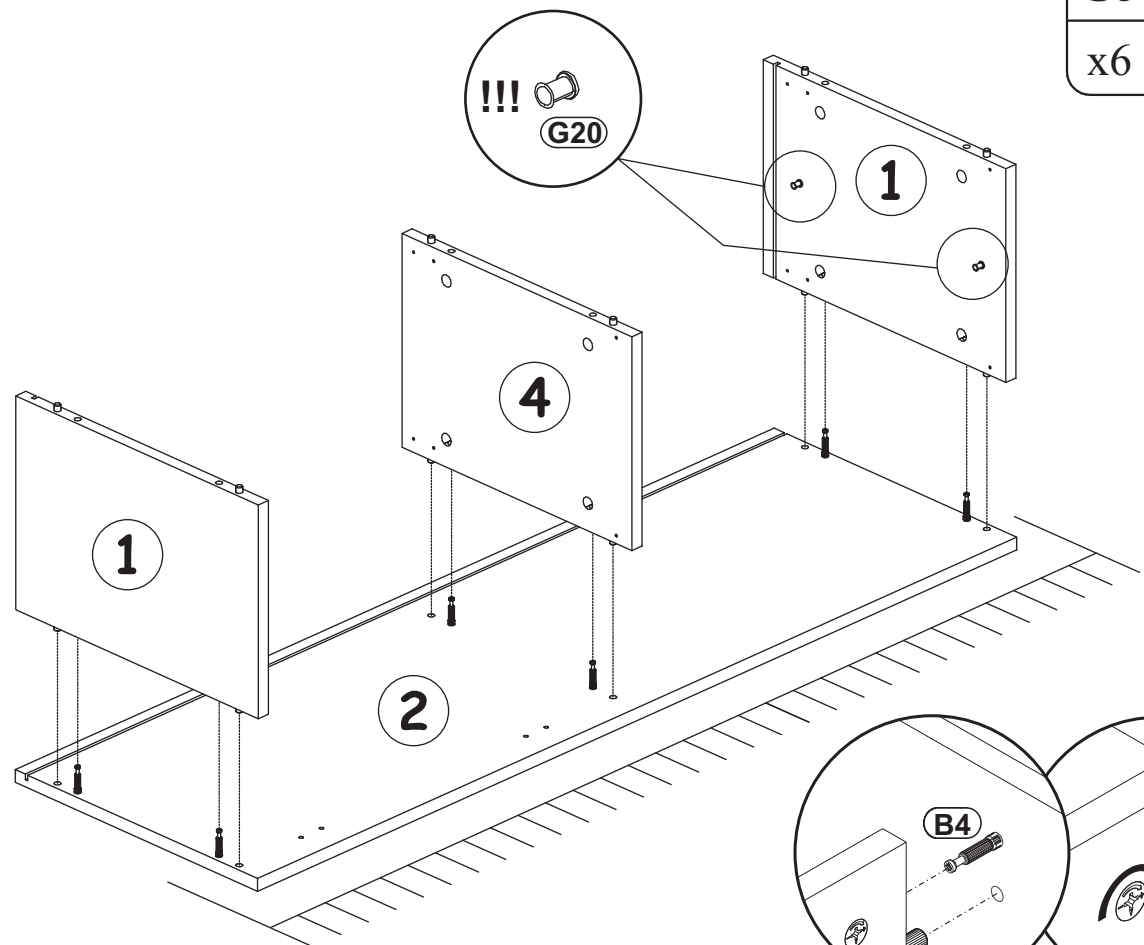
B4	
x12	

3

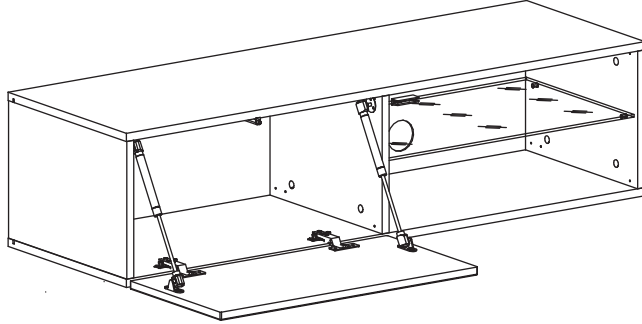


4

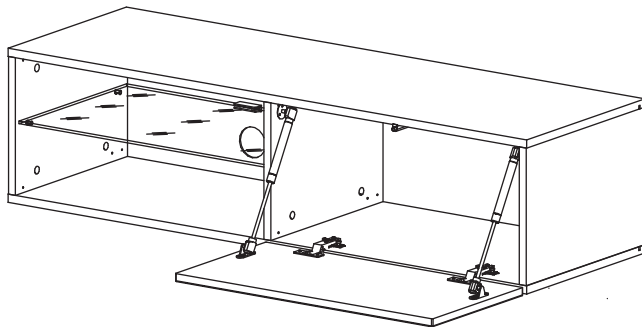
G5	
x6	



**5 - 11**



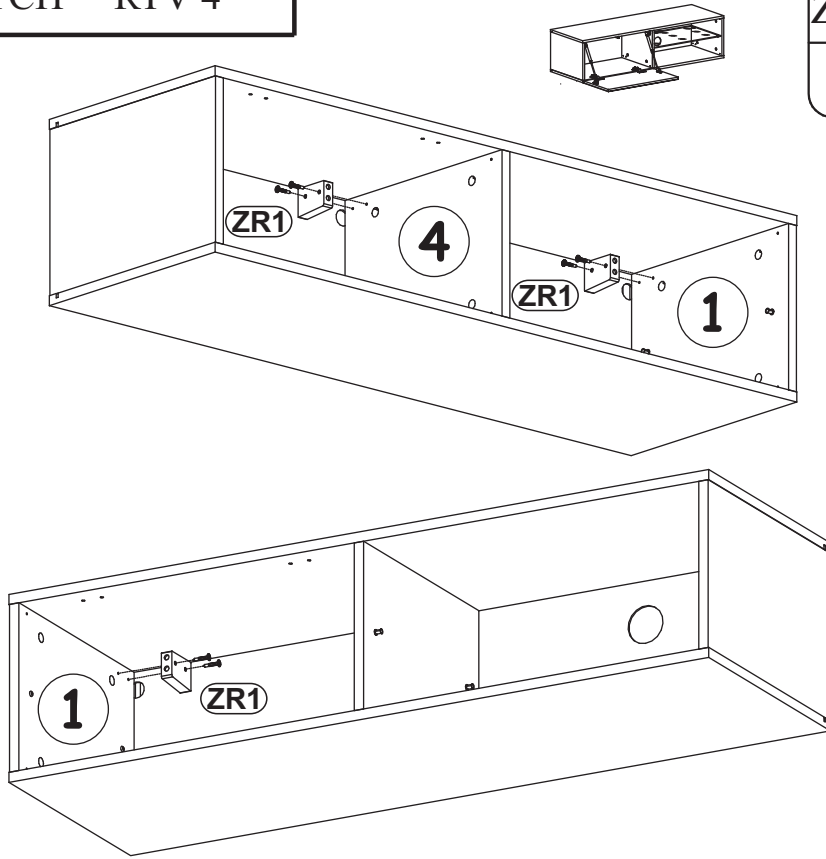
**12 - 18**



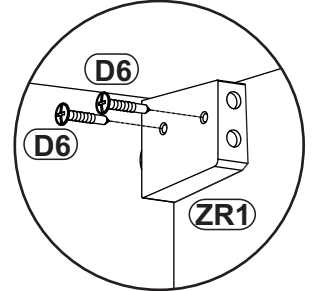
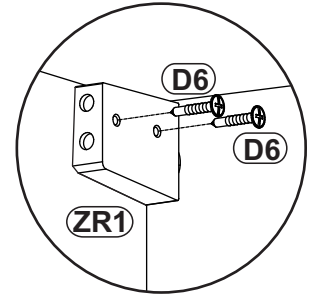


SWITCH RTV 4

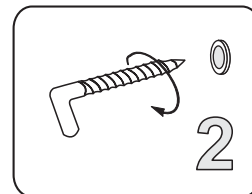
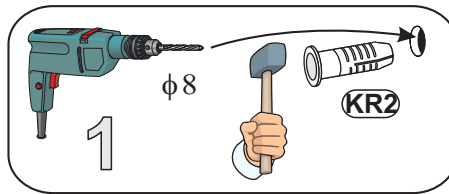
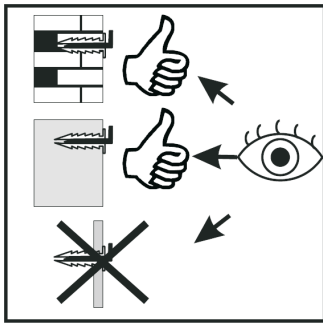
7



ZR1		D6	
x3		x6	US03,5x30

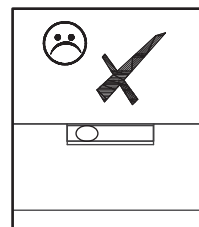
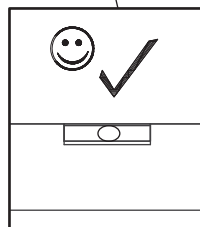
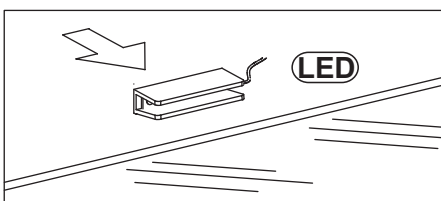
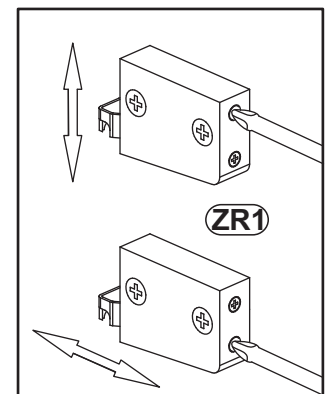
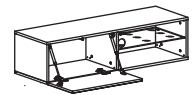
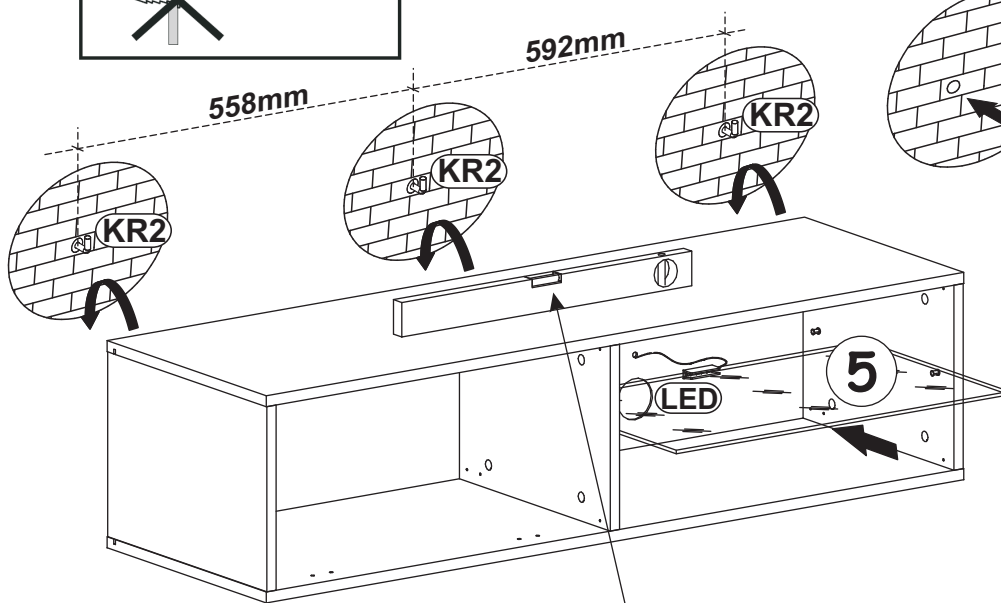


8



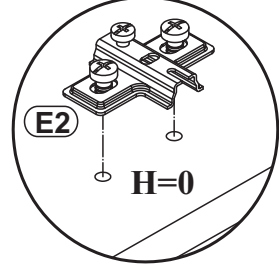
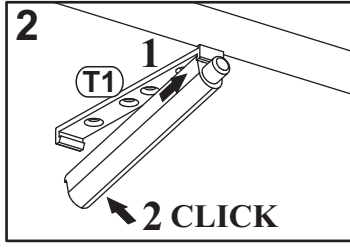
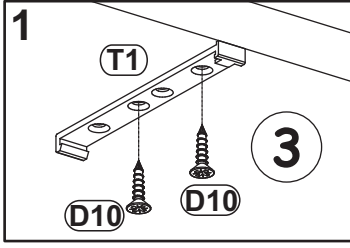
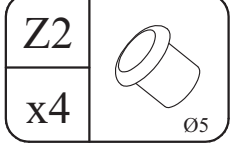
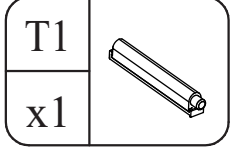
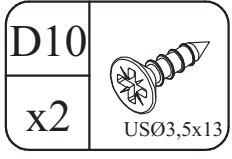
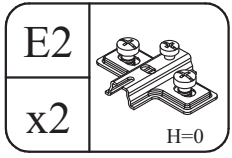
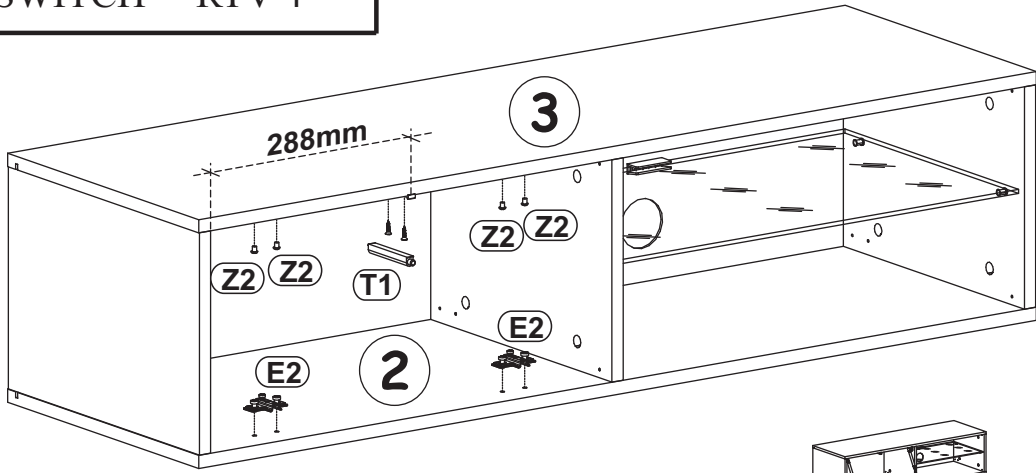
KR2	
x3	Ø8

LED	
x1	x1

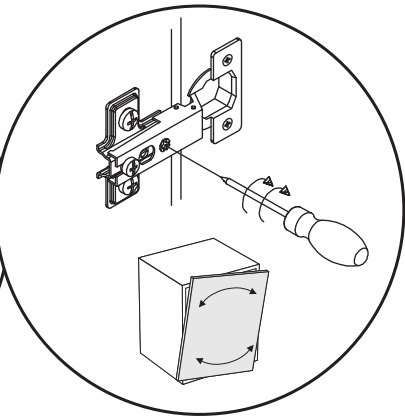
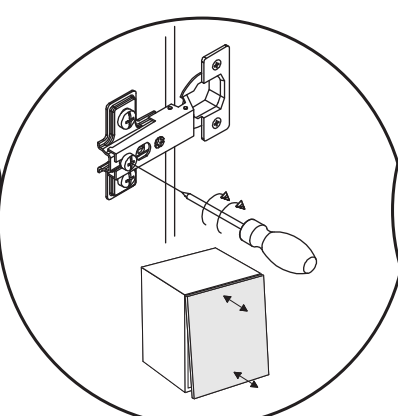
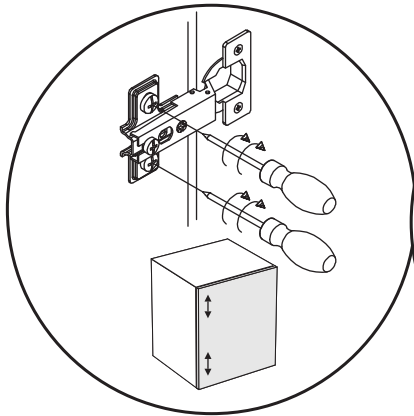
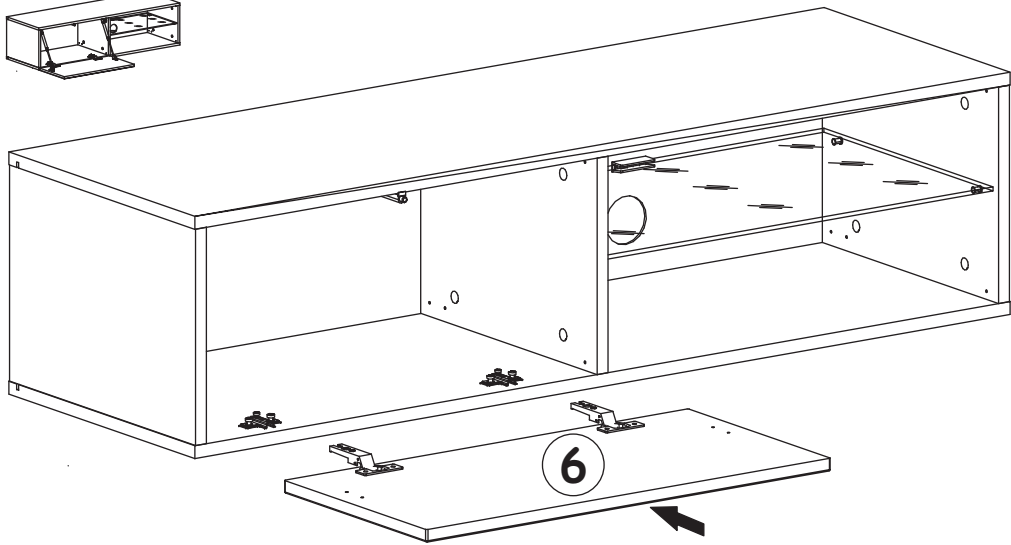


SWITCH RTV 4

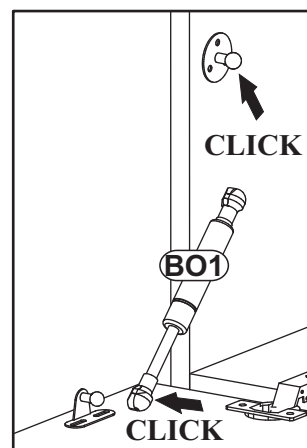
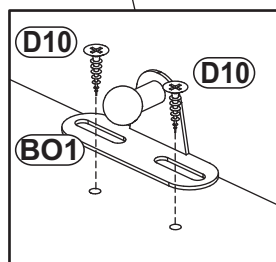
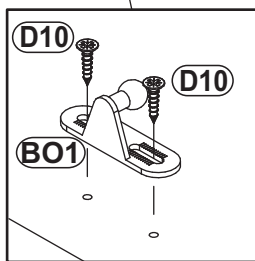
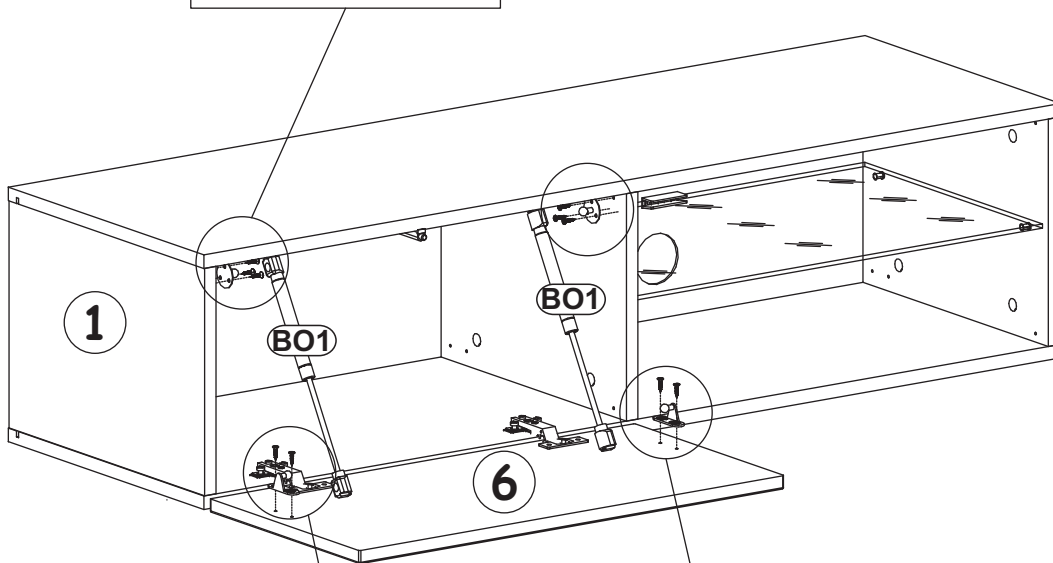
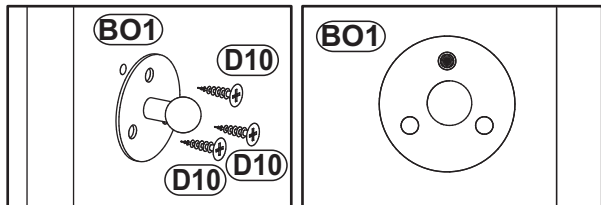
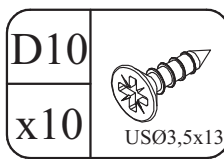
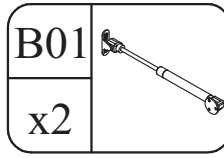
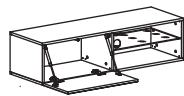
9



10



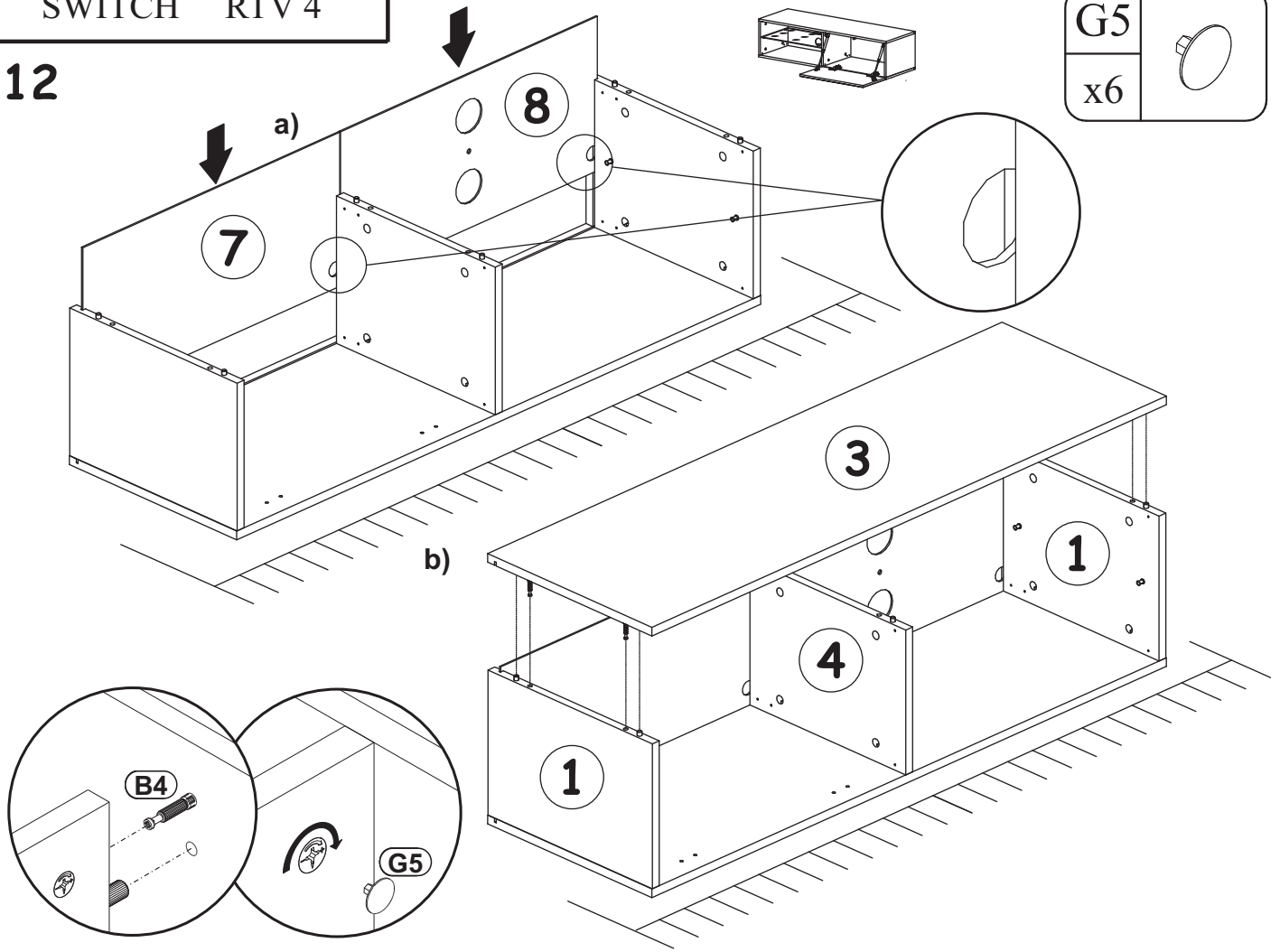
11



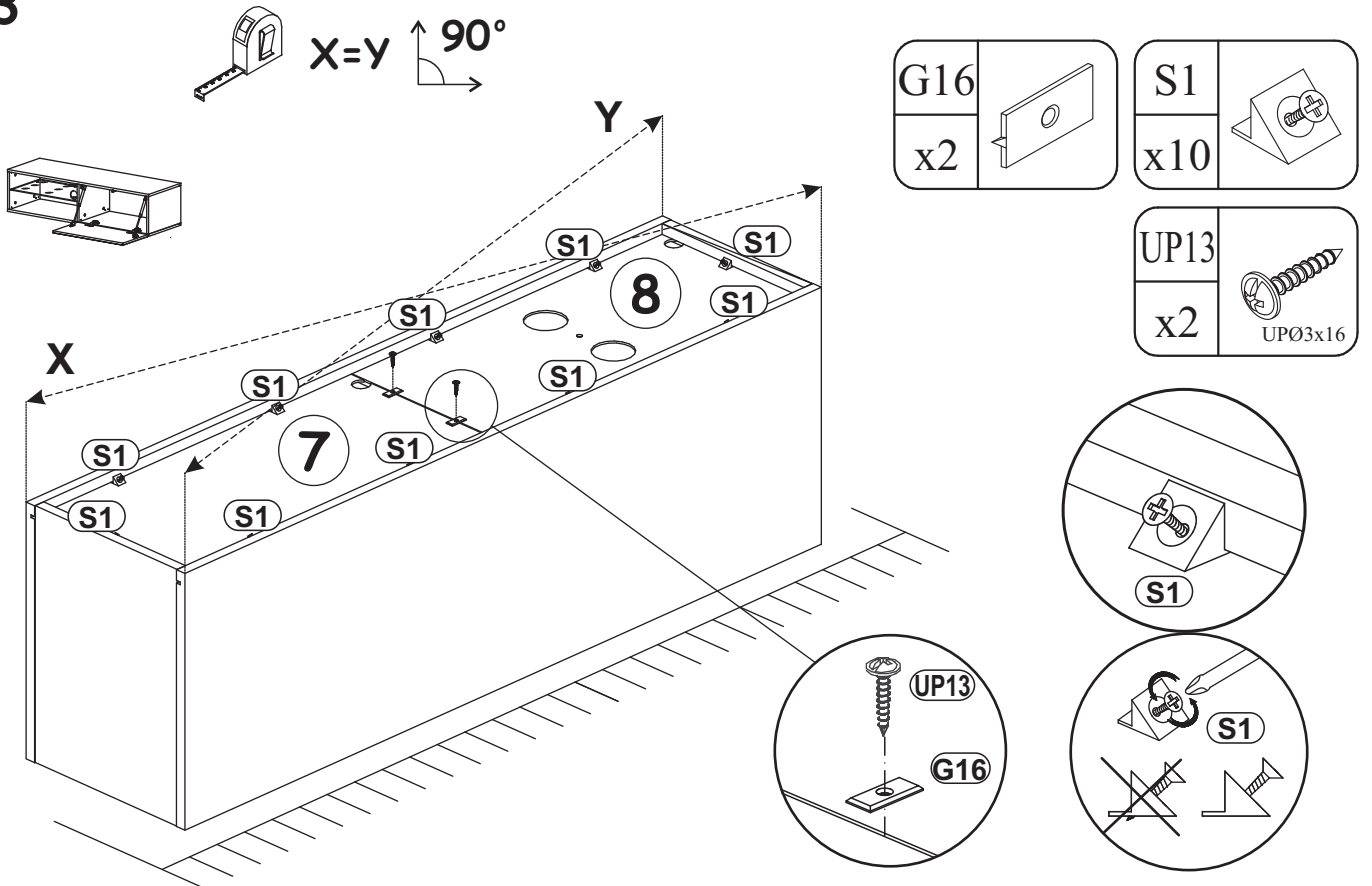


SWITCH RTV 4

12

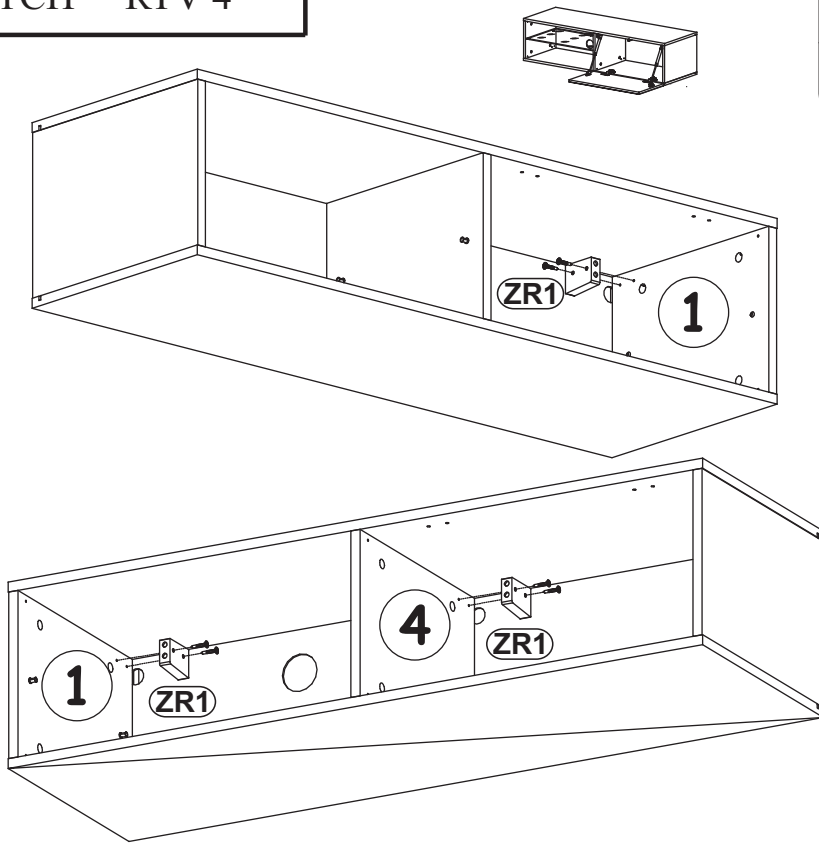


13

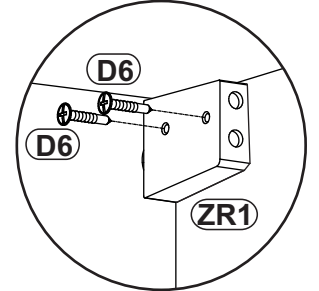
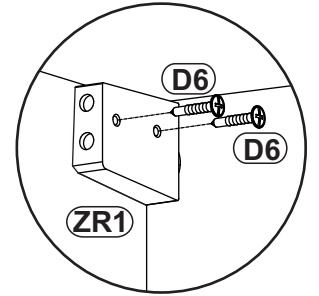


SWITCH RTV 4

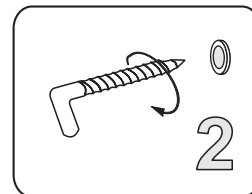
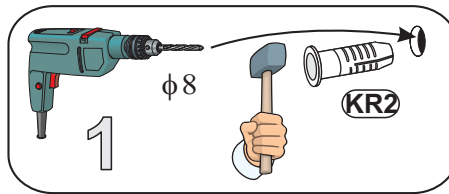
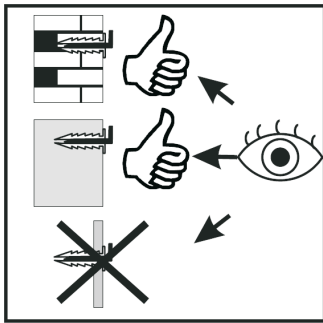
14



ZR1		D6	
x3		x6	US03,5x30

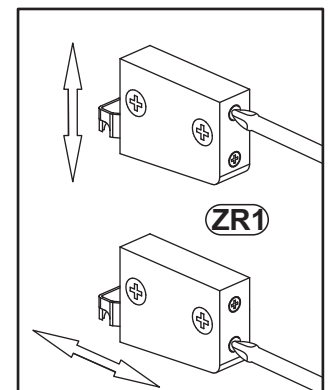
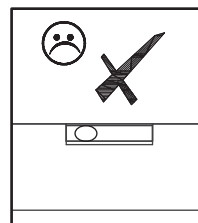
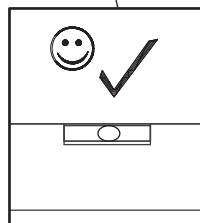
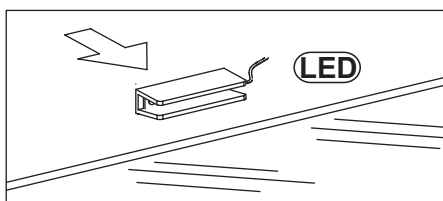
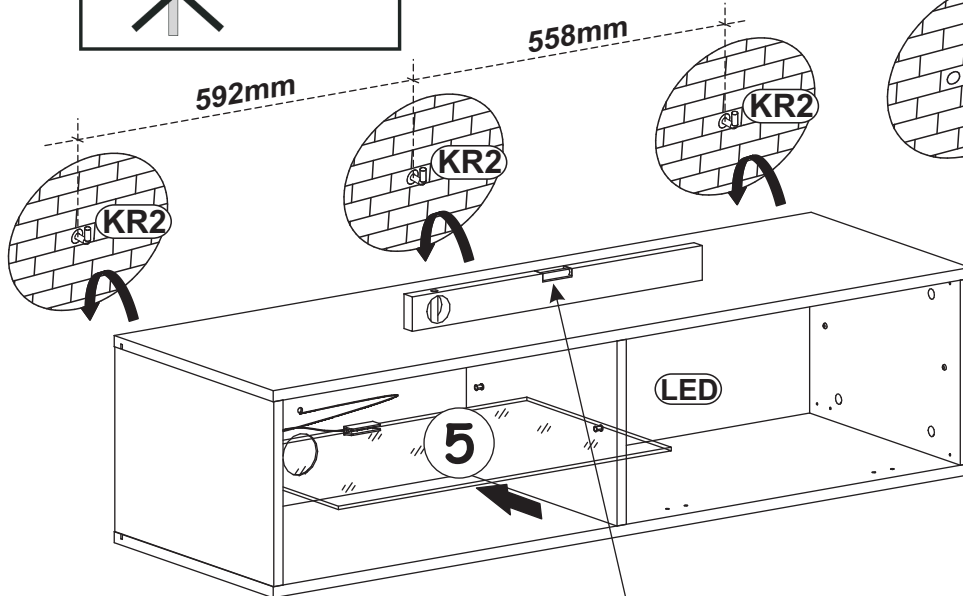


15



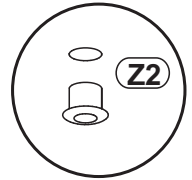
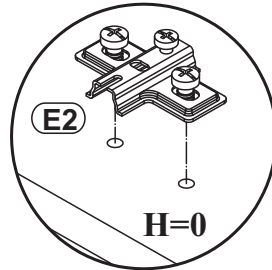
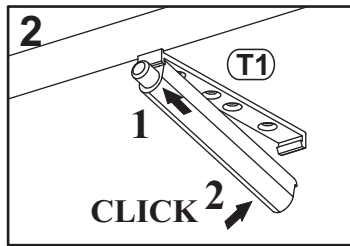
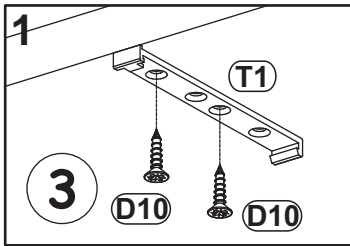
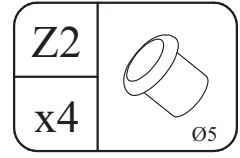
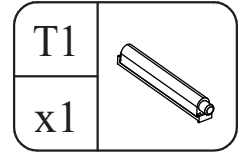
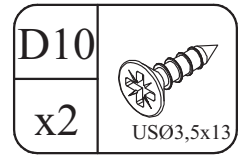
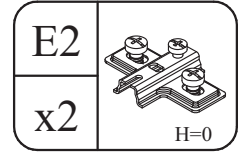
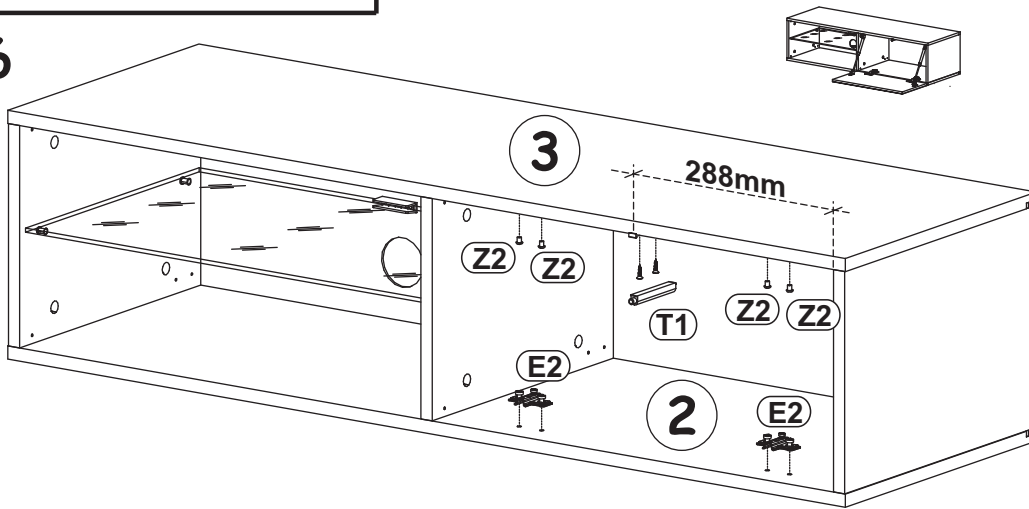
KR2	
x3	Ø8

LED	
x1	x1

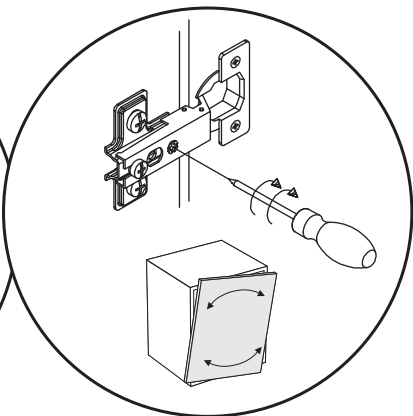
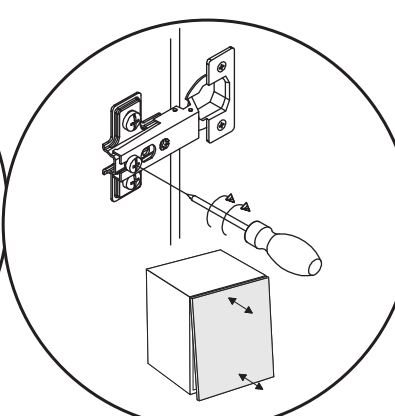
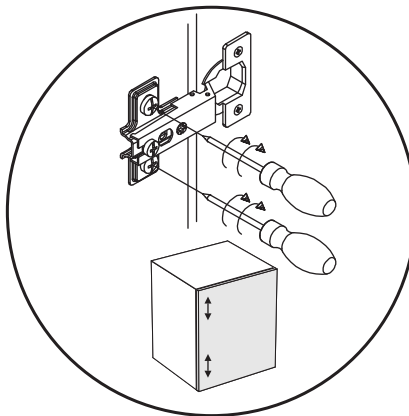
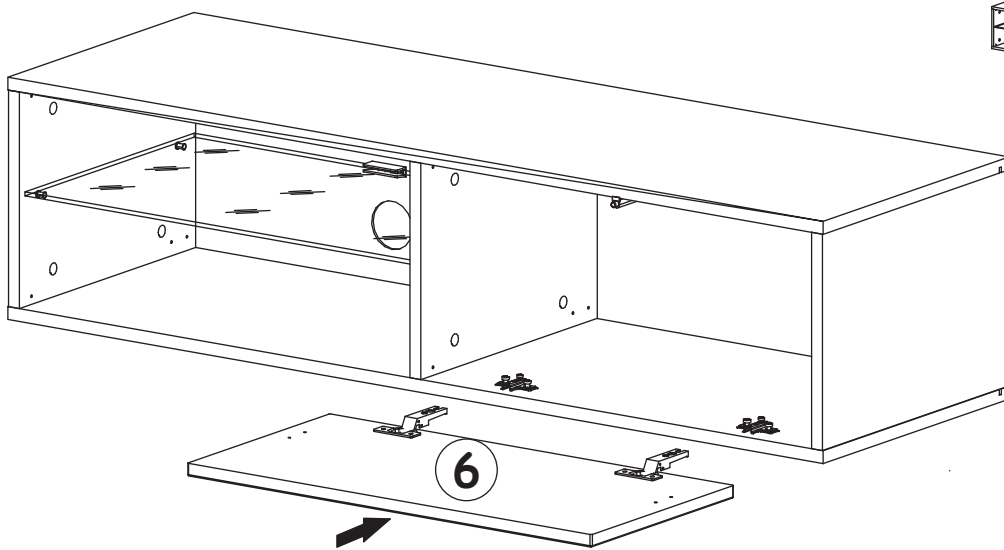


SWITCH RTV 4

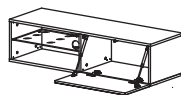
16



17

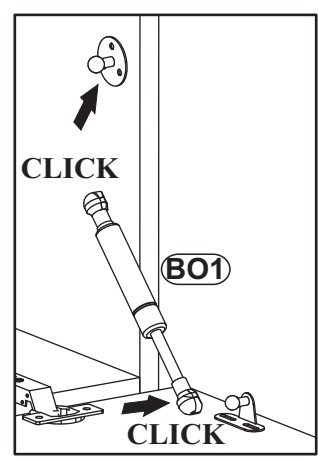
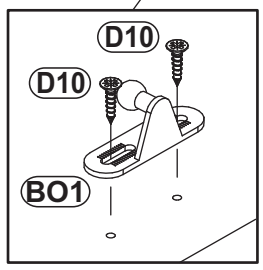
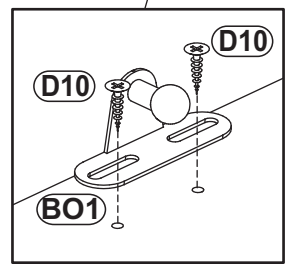
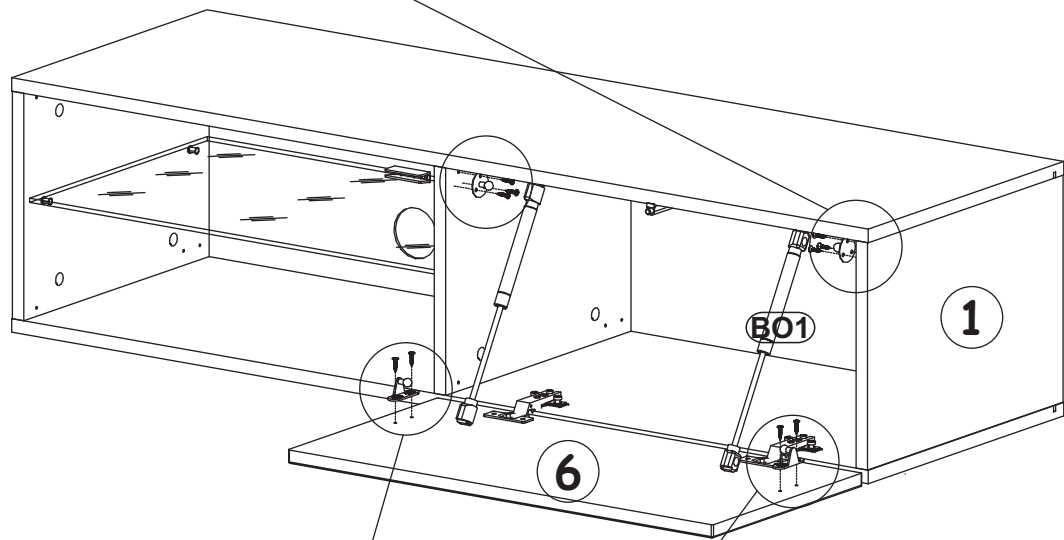
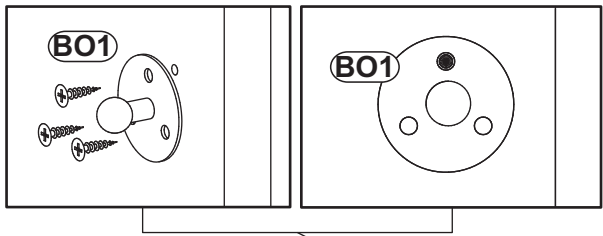


18

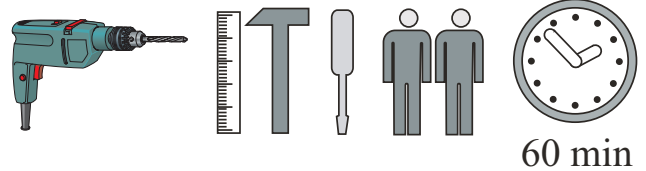
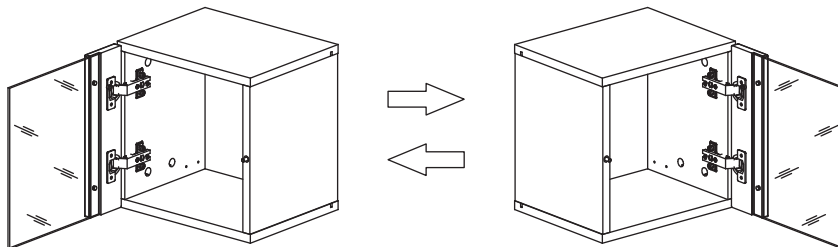
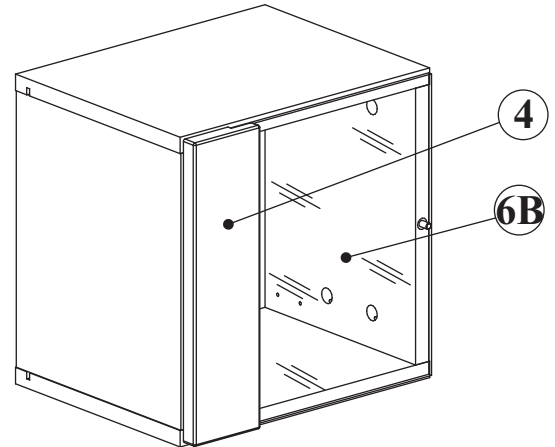
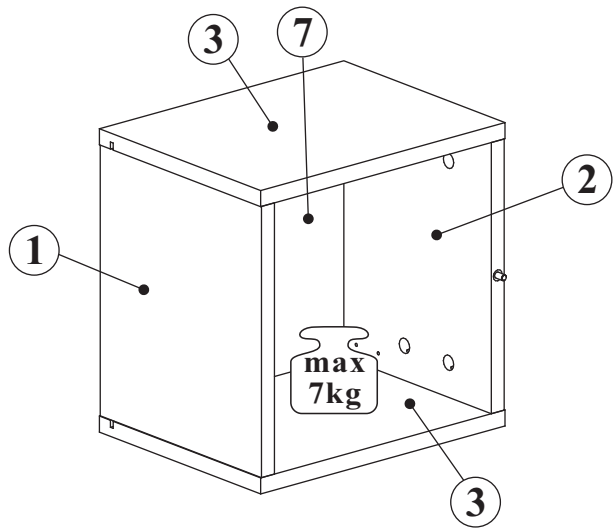
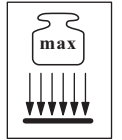


B01	
x2	

D10	
x4	USØ3,5x13



# SWITCH 27 -- SW WW 5

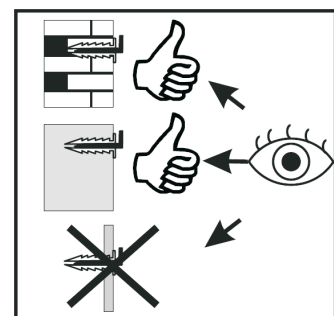
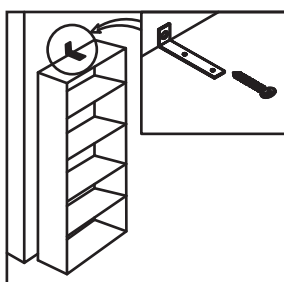
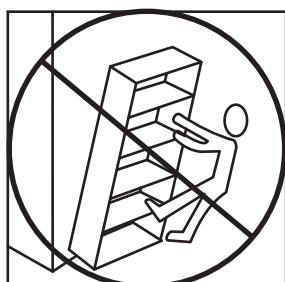
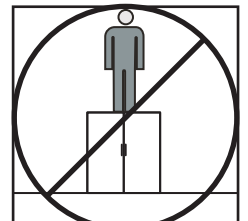
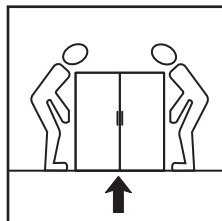
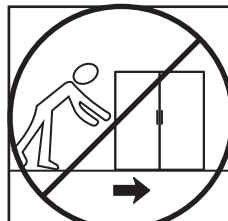
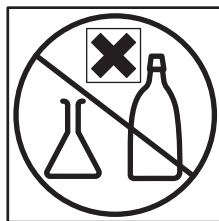
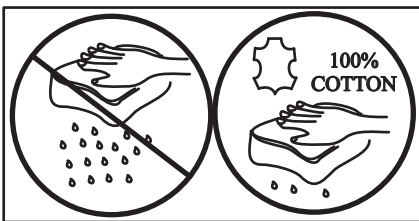
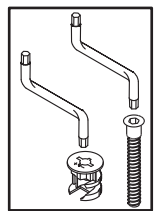
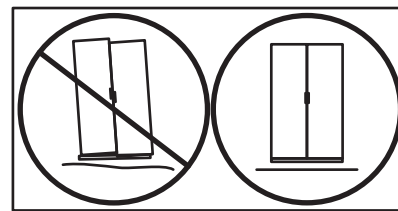
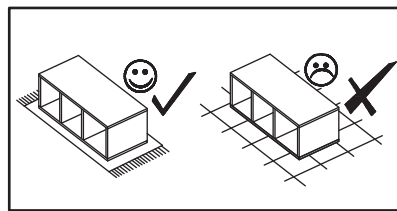
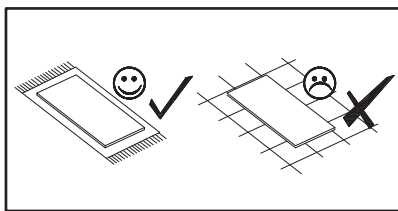
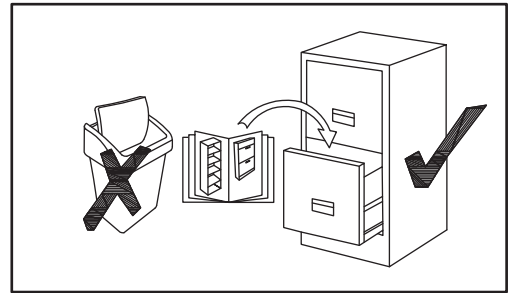
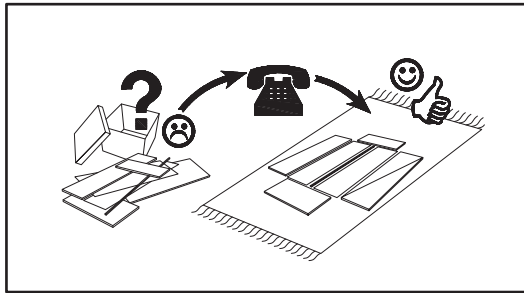
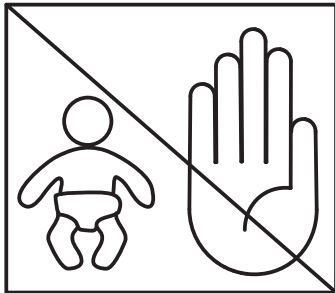
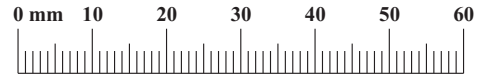


60 min

NO	Dim.			Col-No	Qty
1	270	234	16	1	1
2	270	234	16	1	1
3	302	234	16	1	2
7	282	280	3	1	1
4	80	296	16	1	1
6B	294	241	4	1	1

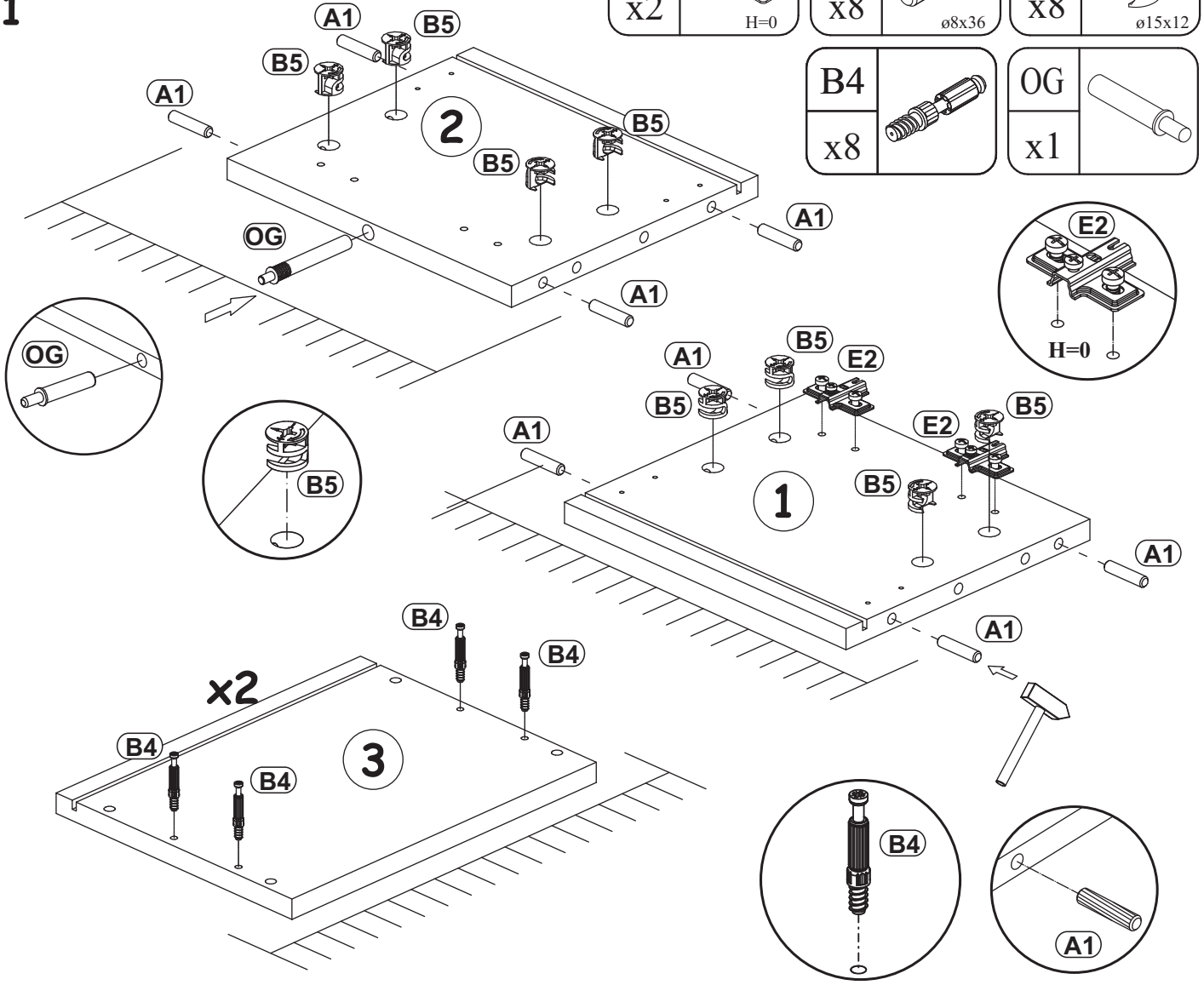
# SWITCH WW 5

A1 x8 ø8x36	B4 x8	G5 x8	B5 x8 ø15x12	ZR1 x2	D6 x4 USØ3,5x30
E1 x2 Ø26 H=0	E2 x2 H=0	D10 x4 USØ3,5x13	OG x1	S1 x4	KR2 x2 Ø8
G2 x1	P2 x2	UP13 x2 UPØ3x16			



# SWITCH WW 5

## 1



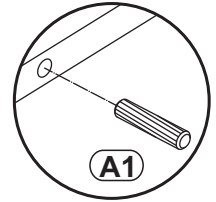
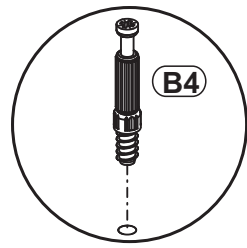
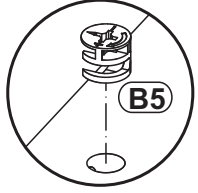
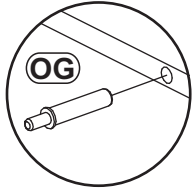
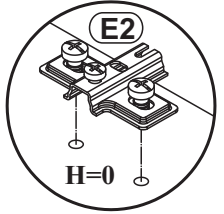
E2	
x2	H=0

A1	
x8	ø8x36

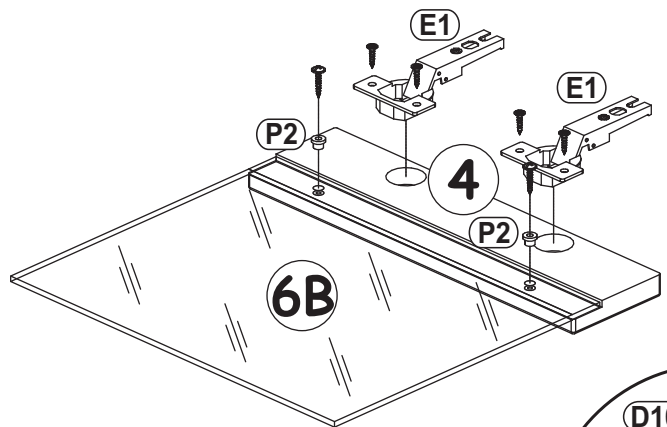
B5	
x8	ø15x12

B4	
x8	

OG	
x1	



## 2

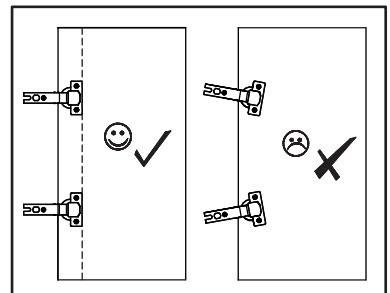
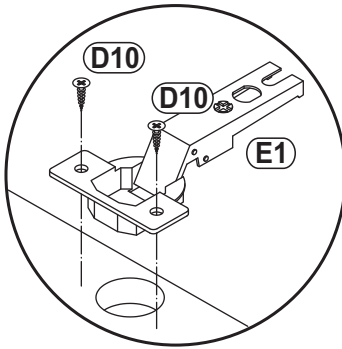
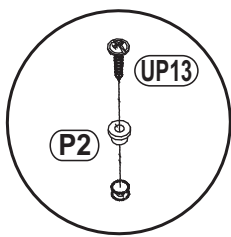


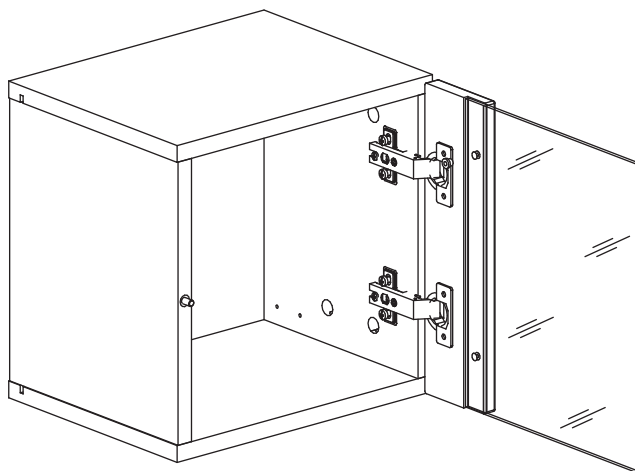
E1	Ø26
x2	H=0

D10	
x4	USØ3,5x13

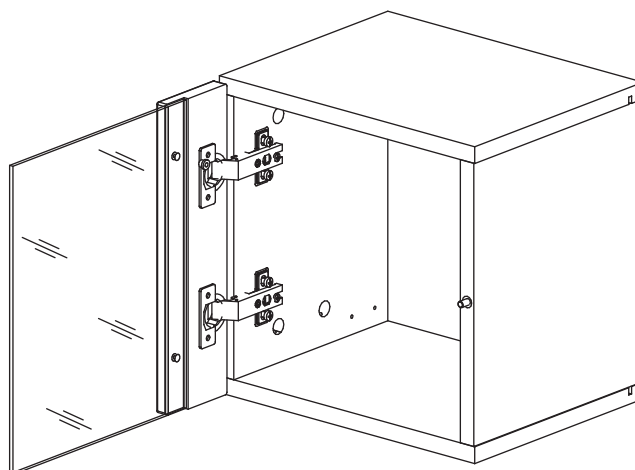
P2	
x2	

UP13	
x2	UPØ3x16





**3 - 7**

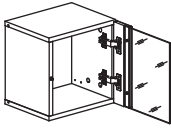



**8 - 12**

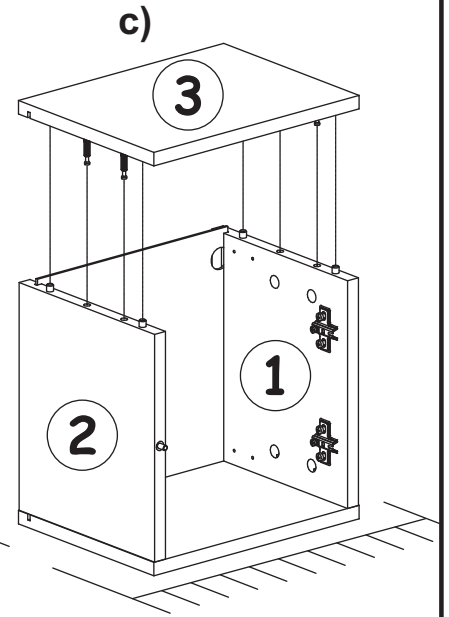
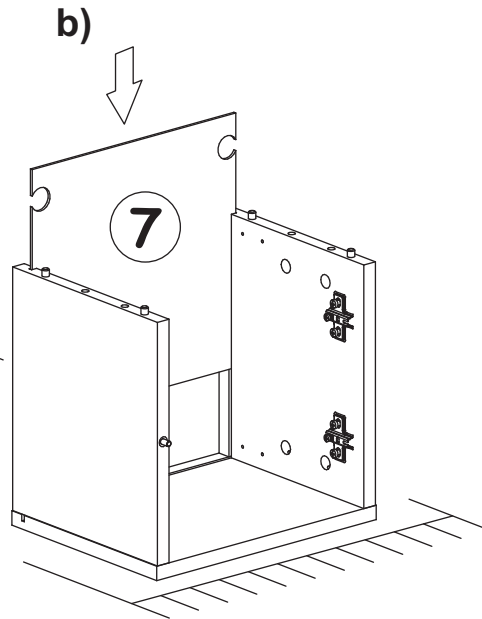
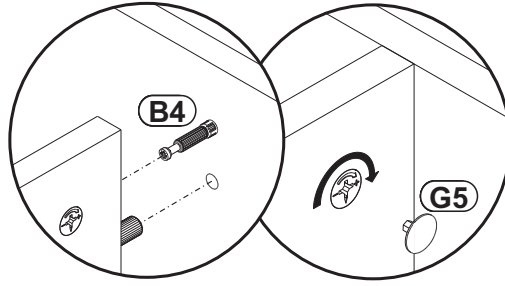
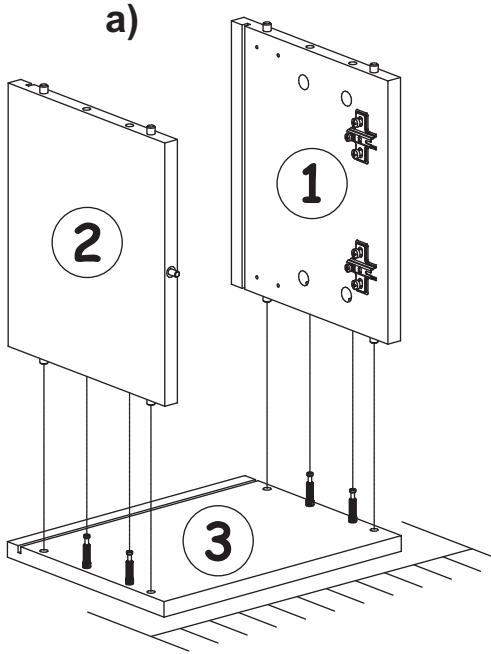


SWITCH WW 5

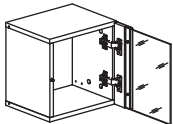
3

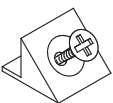


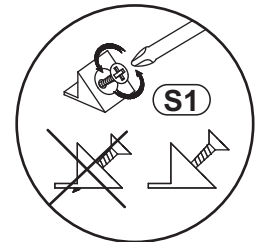
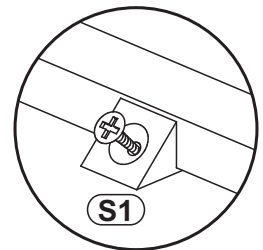
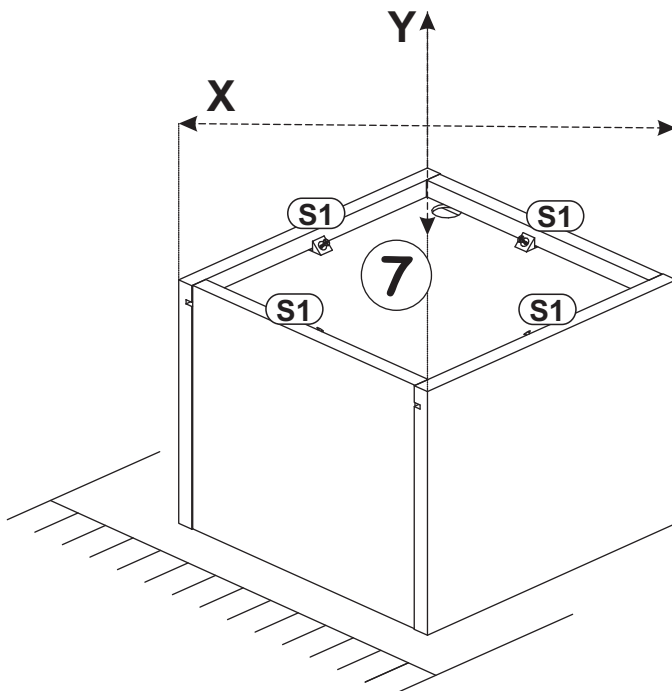
G5	
x8	



4

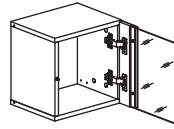


S1	
x4	

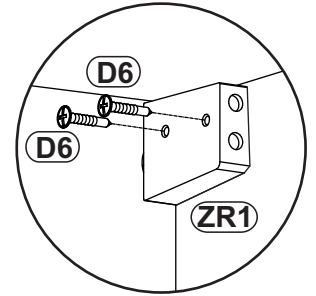
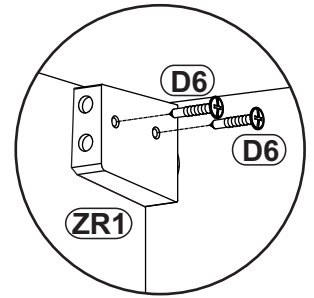
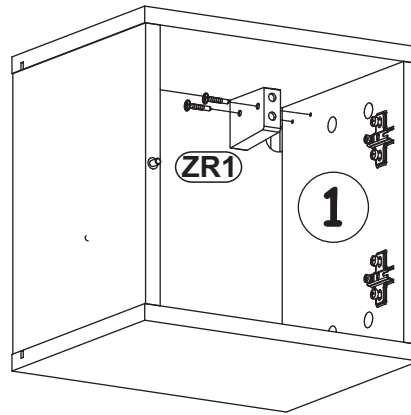
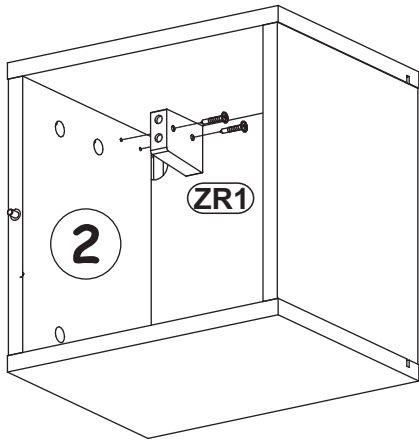


SWITCH WW 5

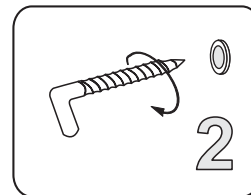
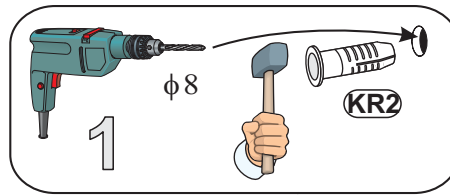
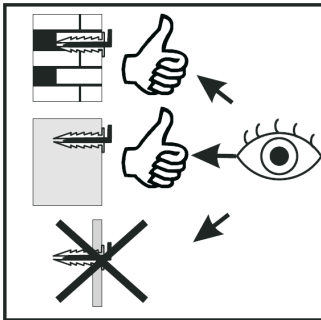
5



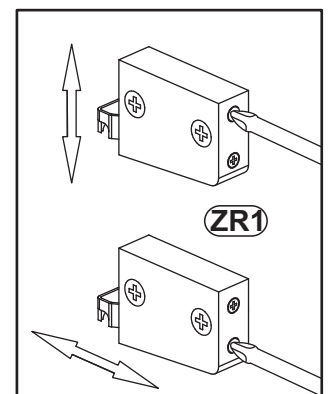
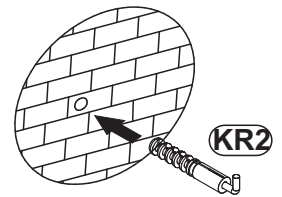
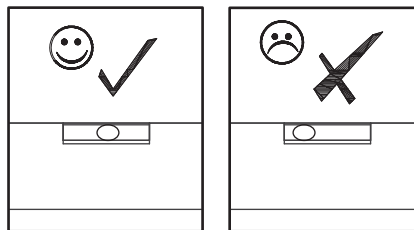
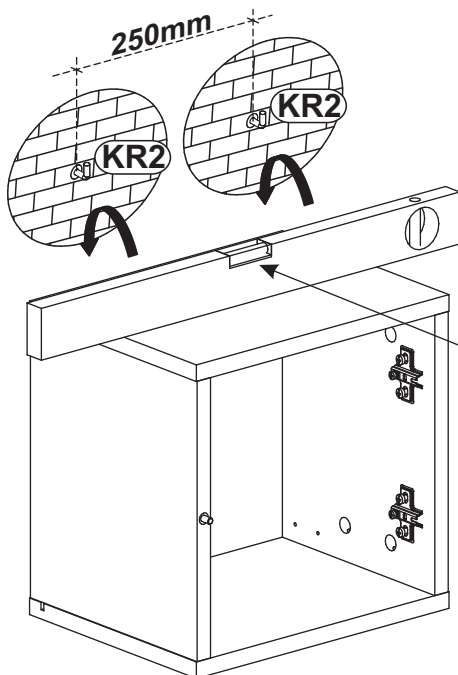
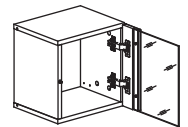
ZR1		D6	
x2		x4	USØ3,5x30



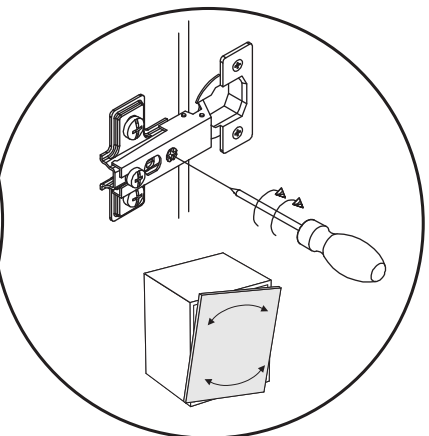
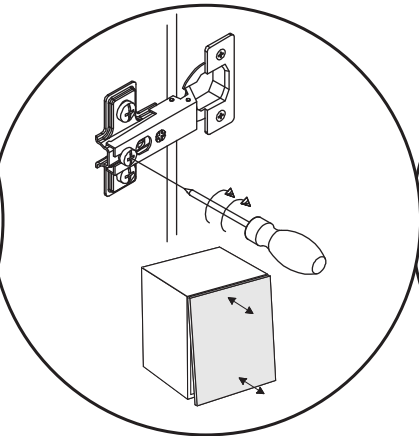
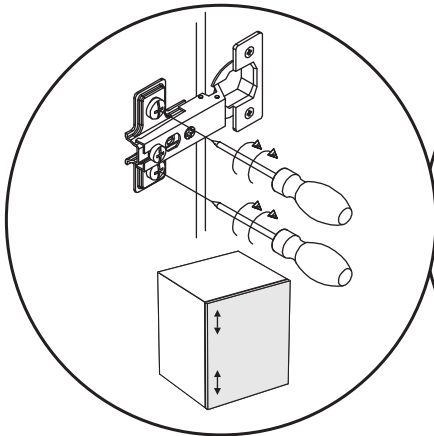
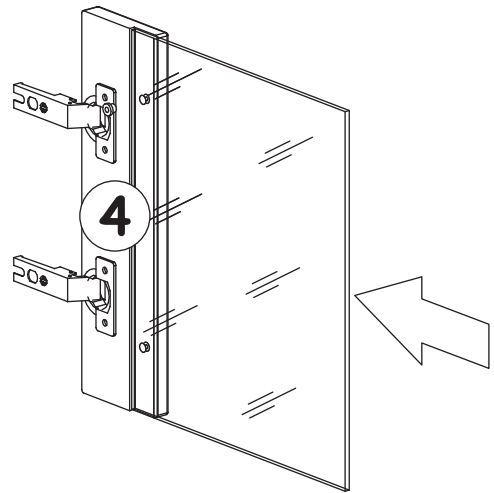
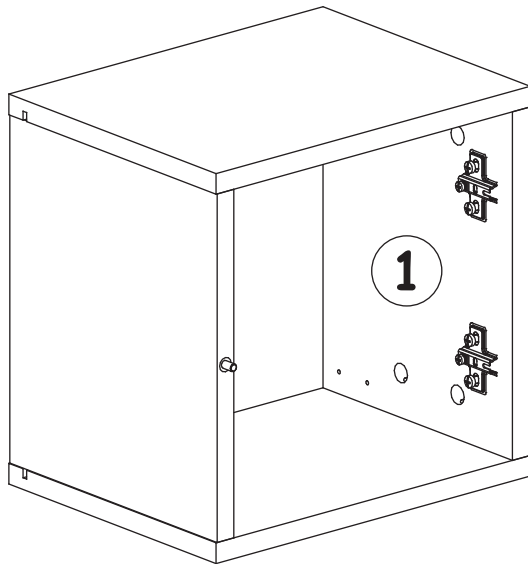
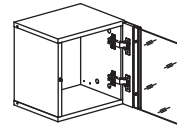
6



KR2	
x2	Ø8

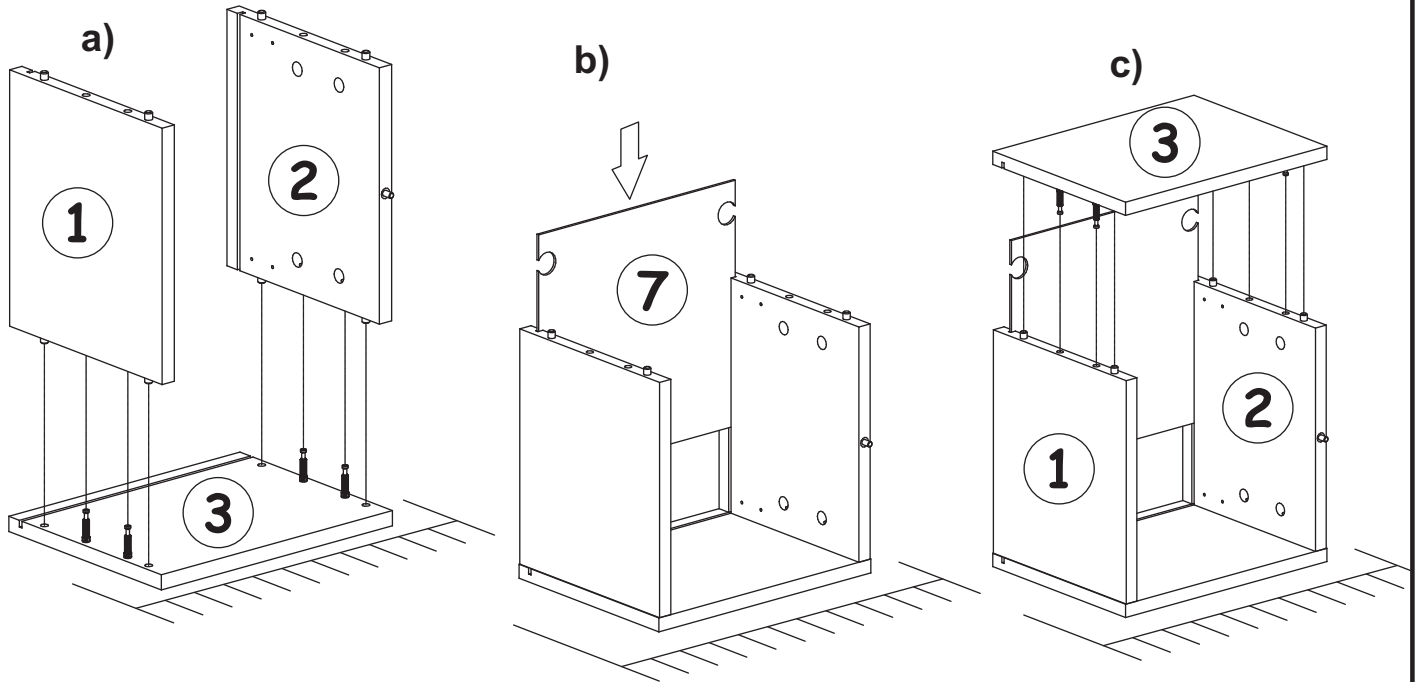
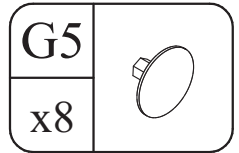
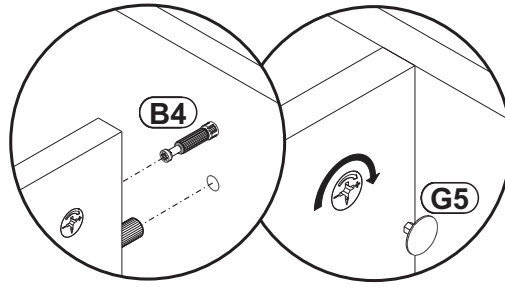
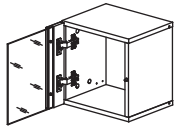


7

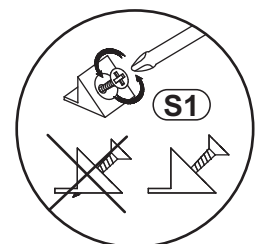
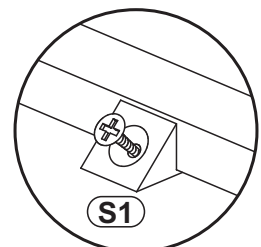
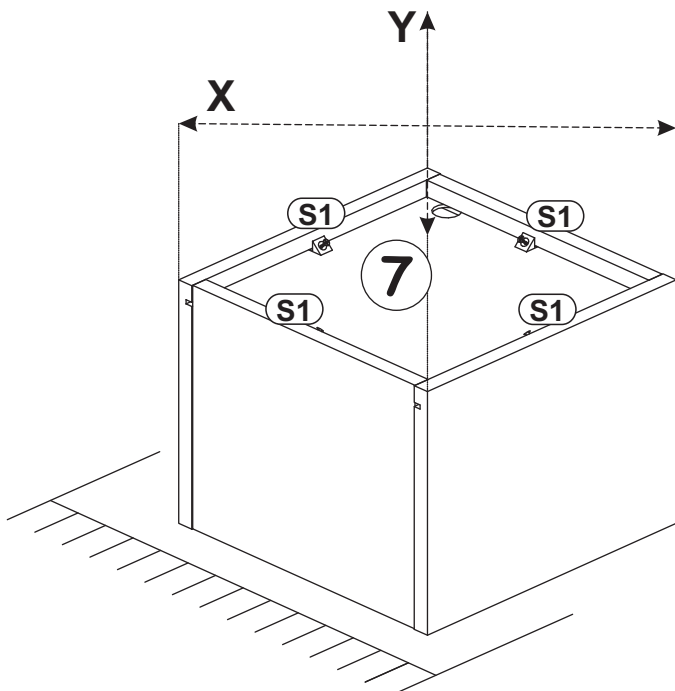
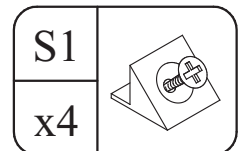
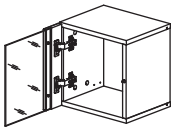


SWITCH WW 5

8

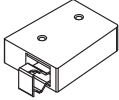



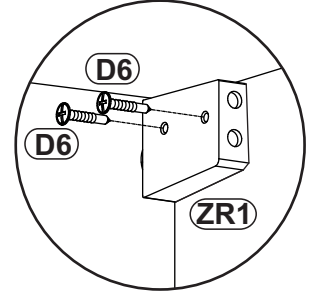
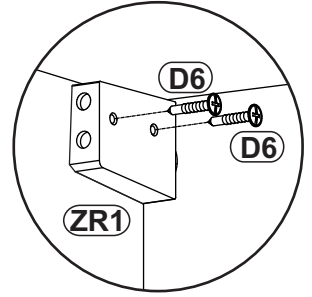
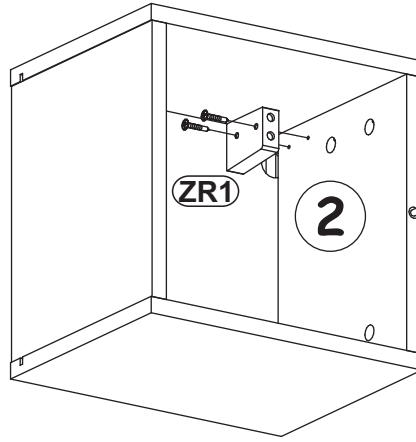
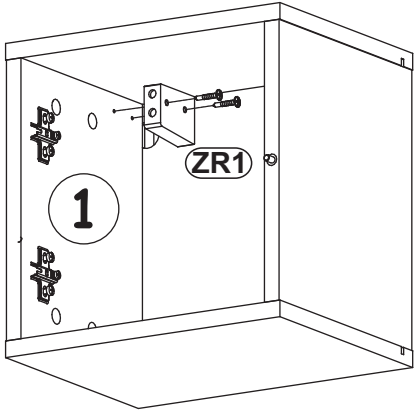
9



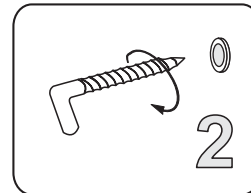
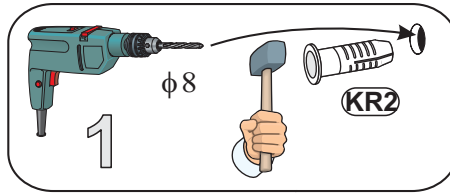
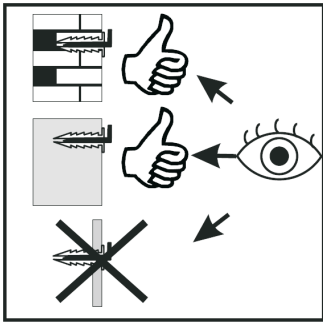
SWITCH WW 5

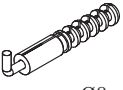
10

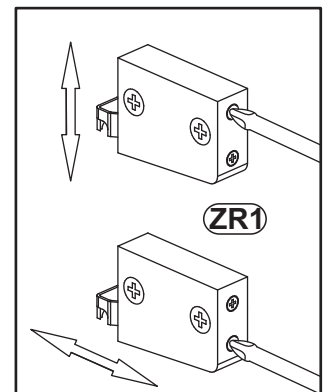
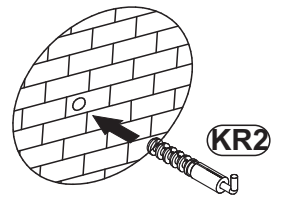
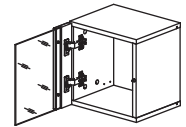
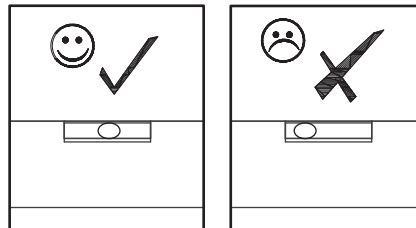
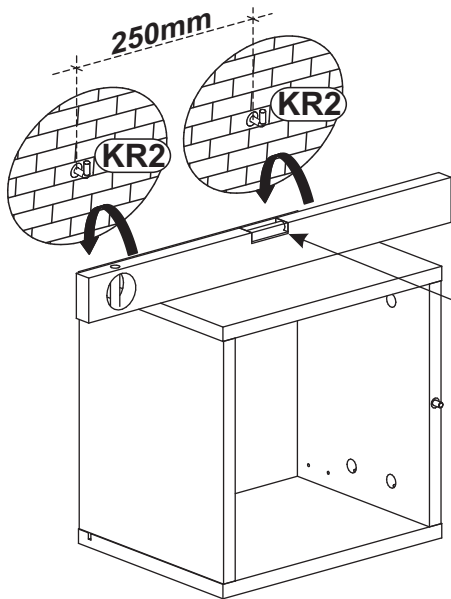
ZR1		D6	
x2		x4	US03,5x30



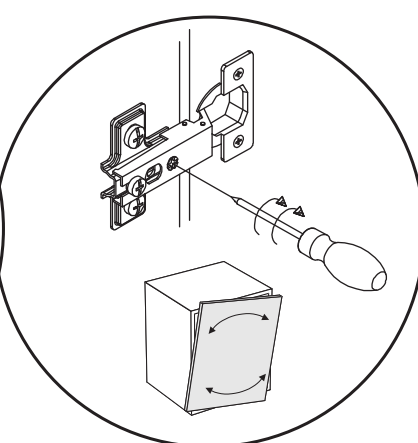
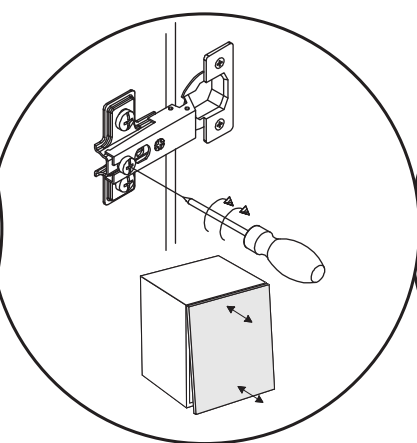
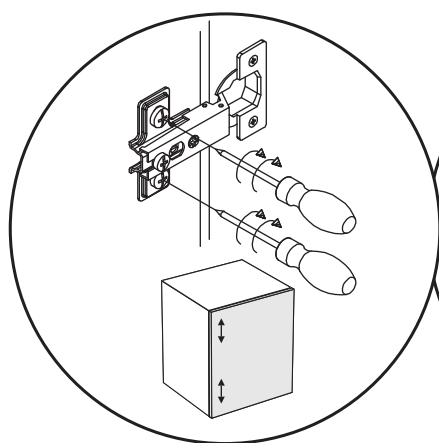
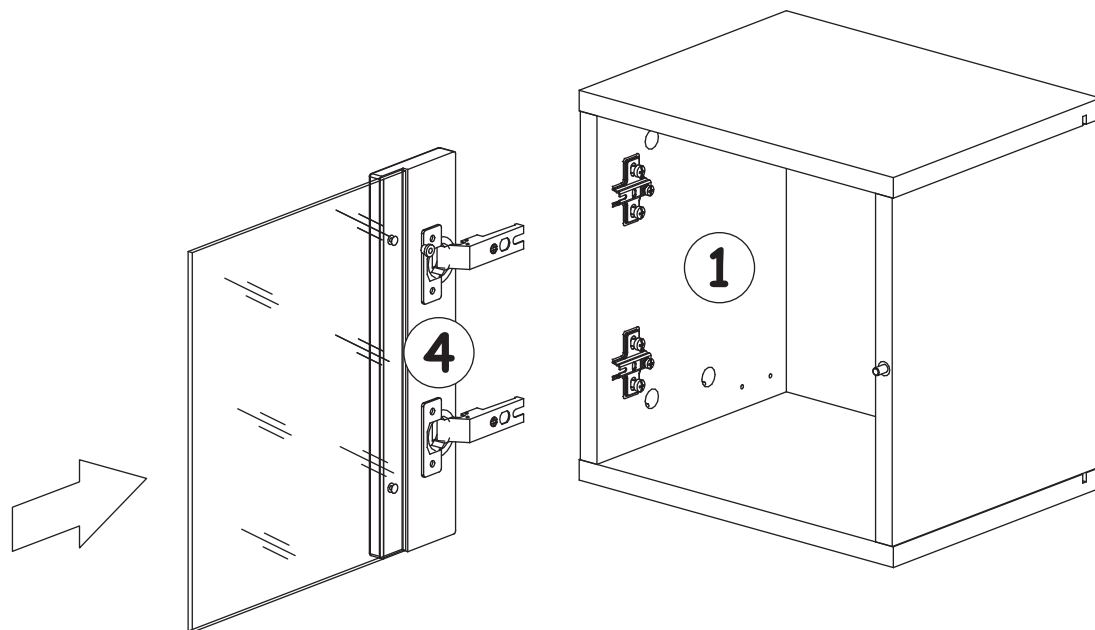
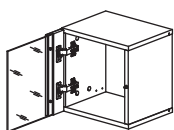
11



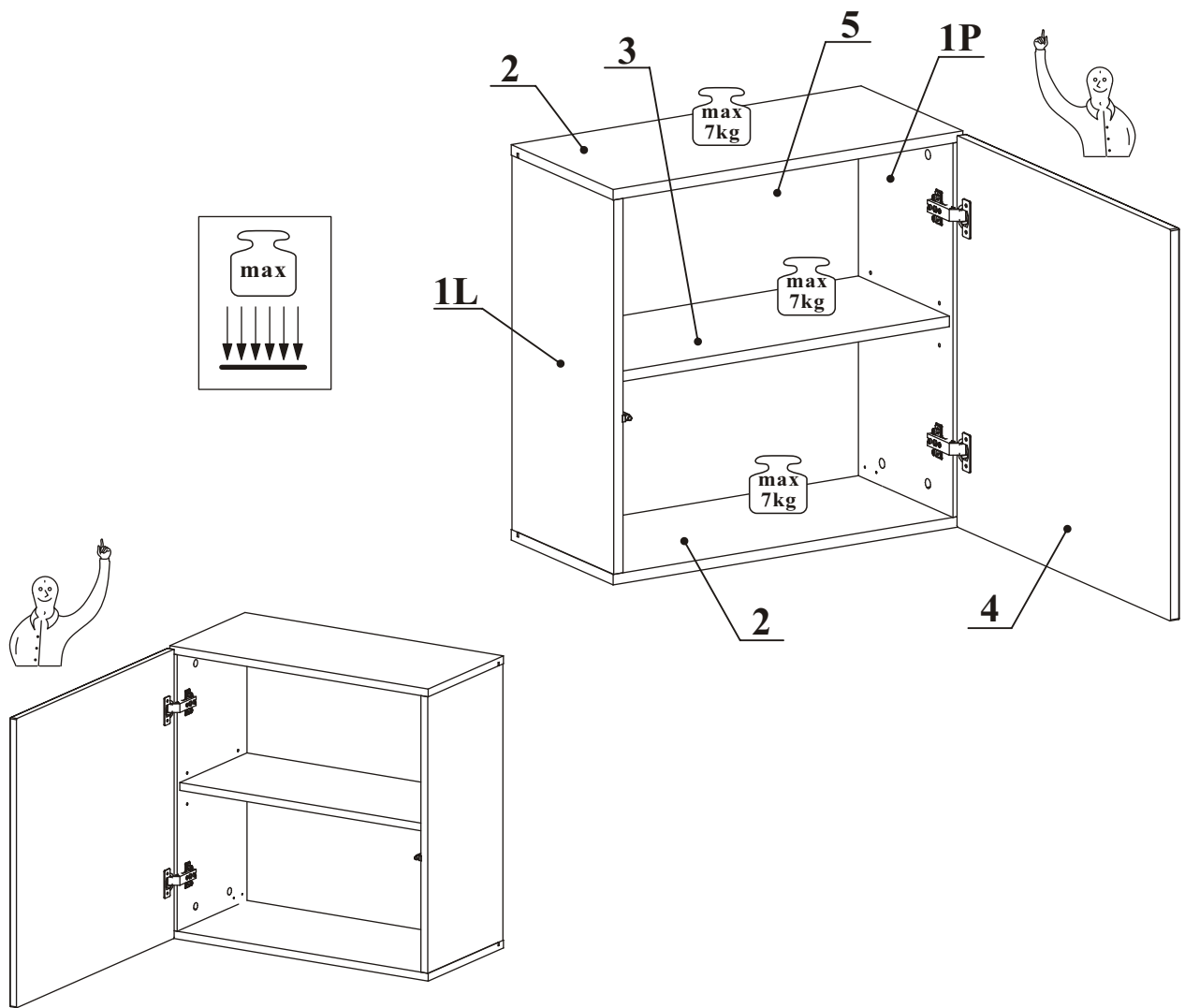
KR2	
x2	Ø8



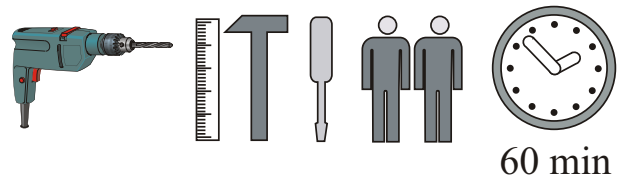
12



# SWITCH SW3



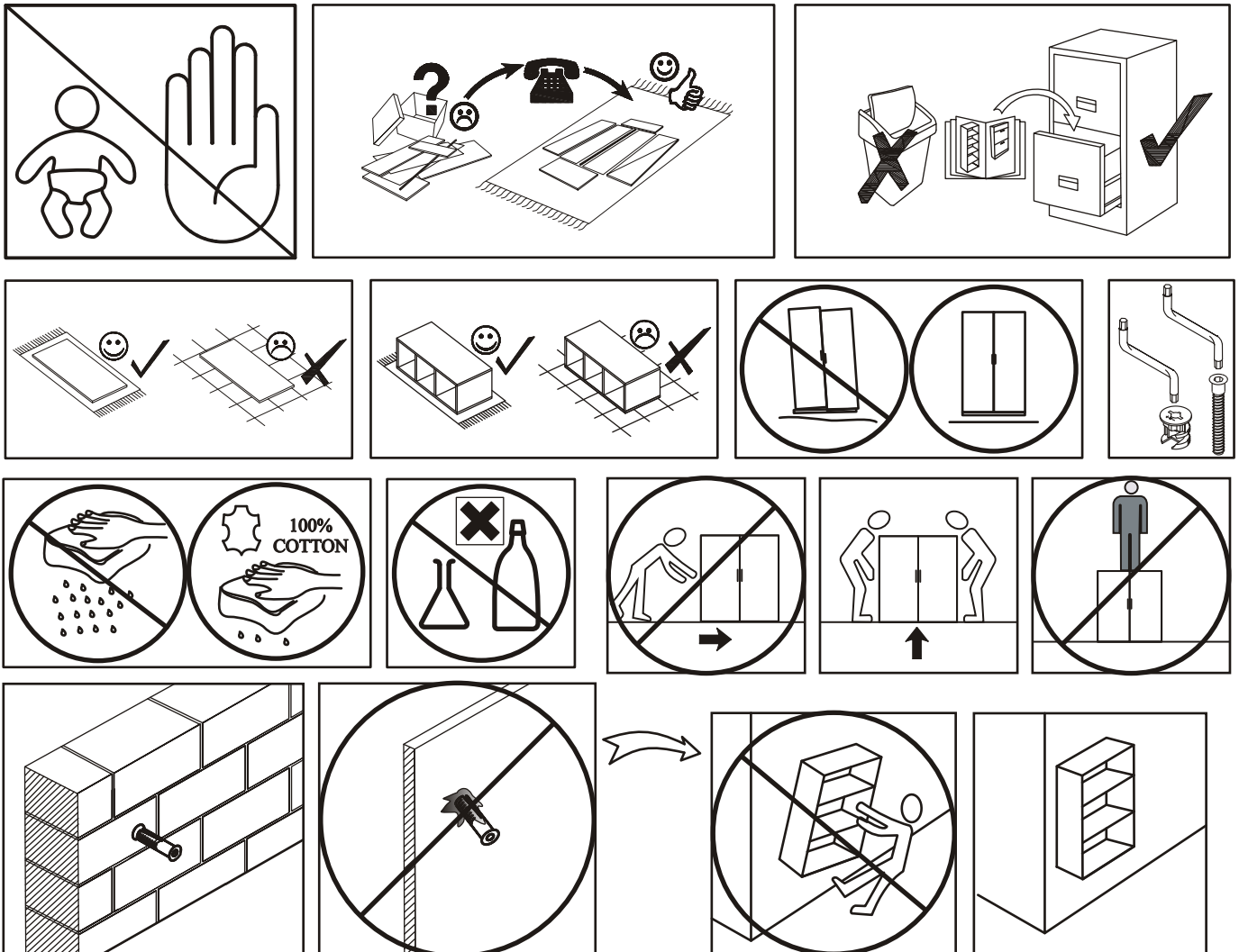
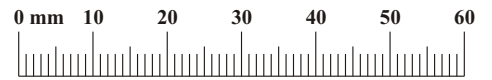
NO	Dim.		Col.-No	Qty
1 L/P	570	284	1	2
2	602	284	1	2
3	568	254	1	1
5	582	580	1	1
4	596	596	1	1



60 min

# SWITCH - SW3

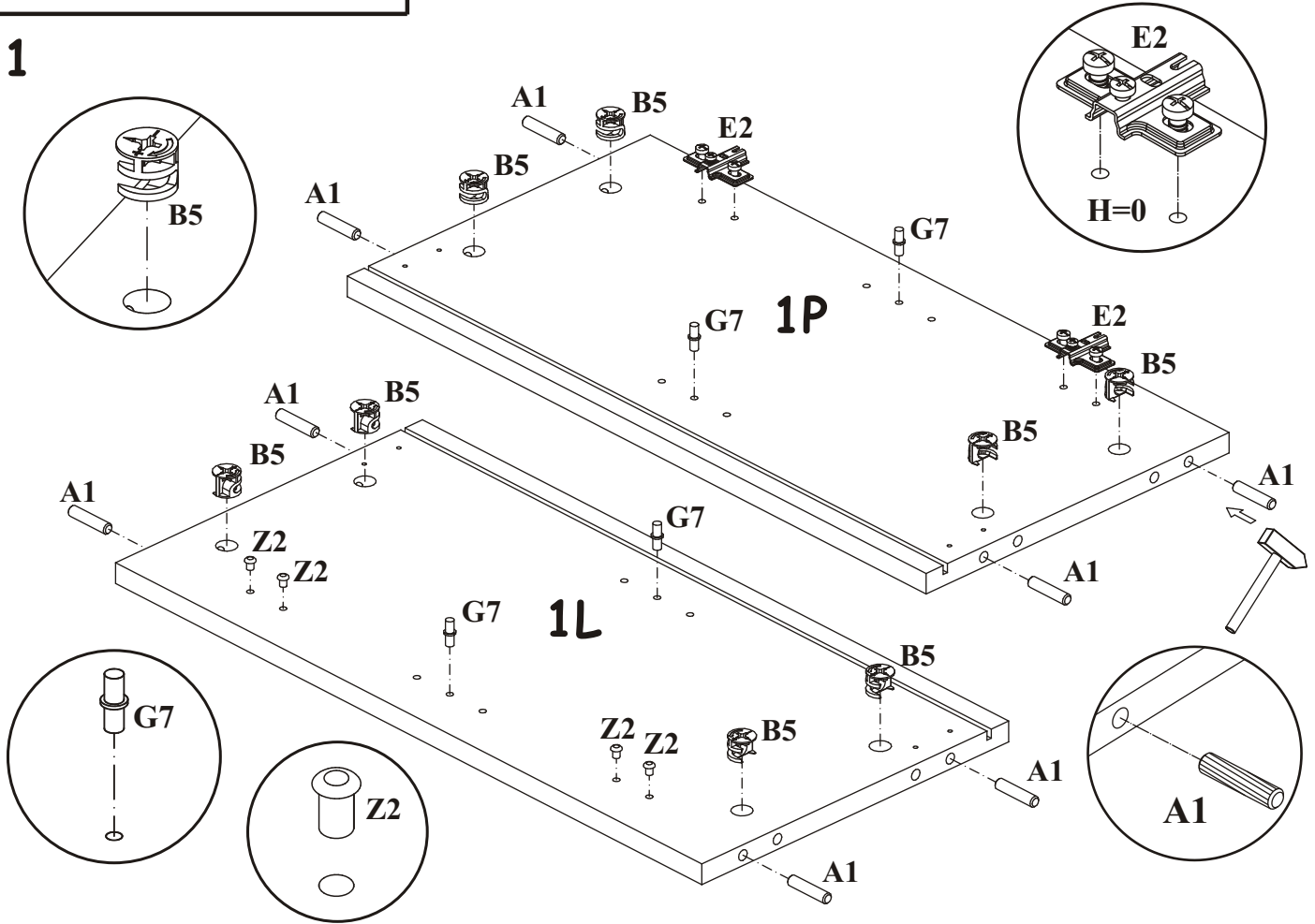
A1 X8 ø8x36	B4 X8	G5 X8	B5 X8 ø15x12	G7 X4	S1 X8
Z2 X4 ø5	D10 X6 USØ3,5x13	G2 X1	E1 X2 Ø26 H=0	E2 X2 H=0	ZR1 X2
D6 X4 USØ3,5x30	OD1 X1	KR2 X2			



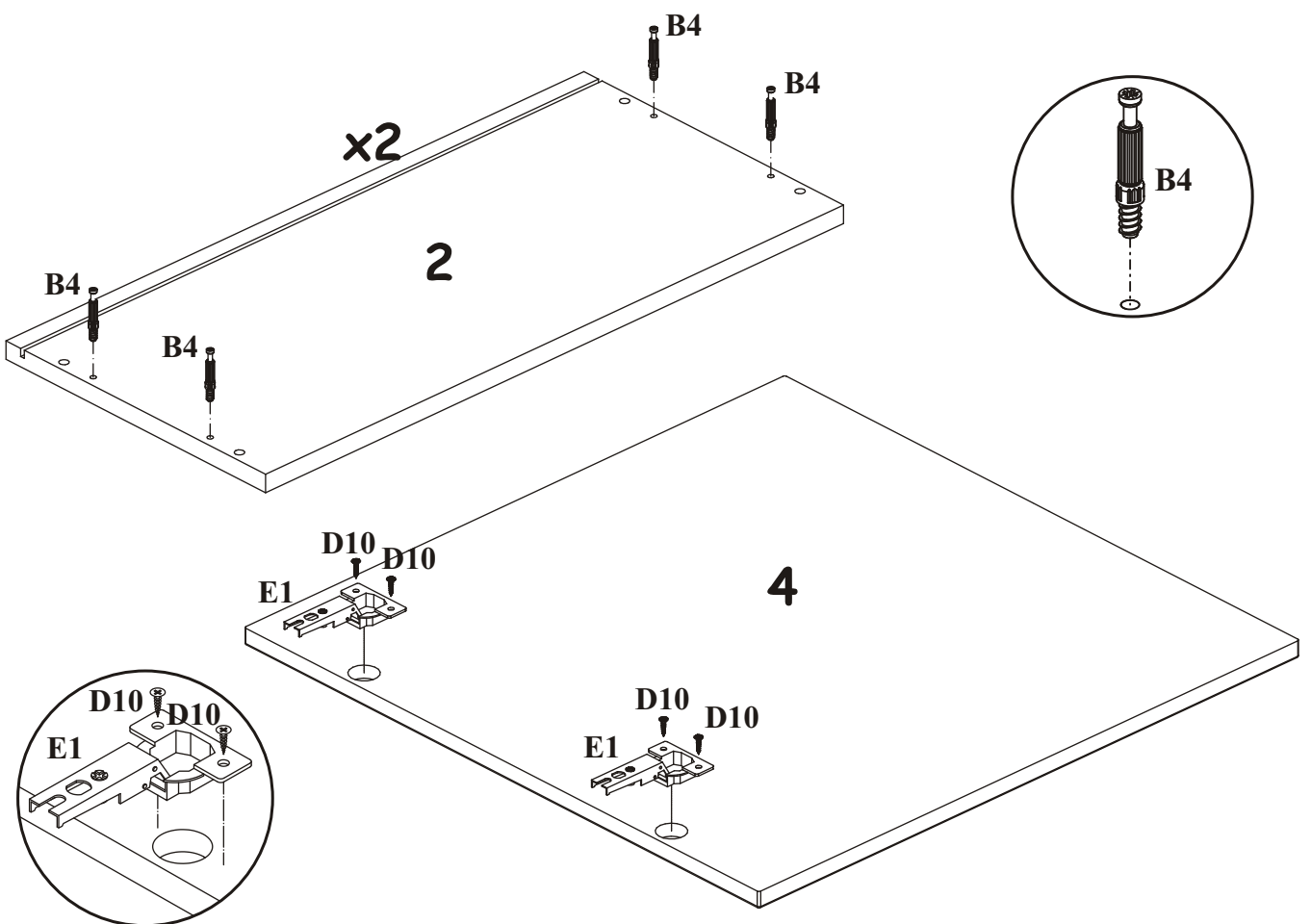


SWITCH - SW3

1

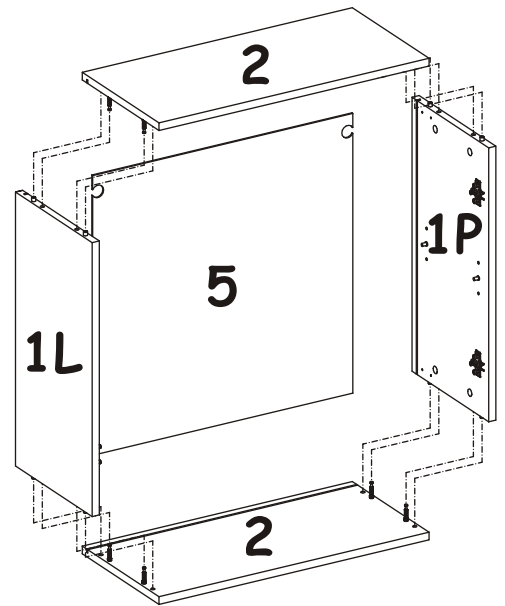
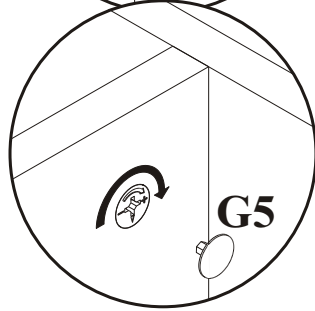
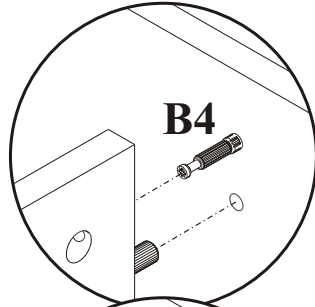
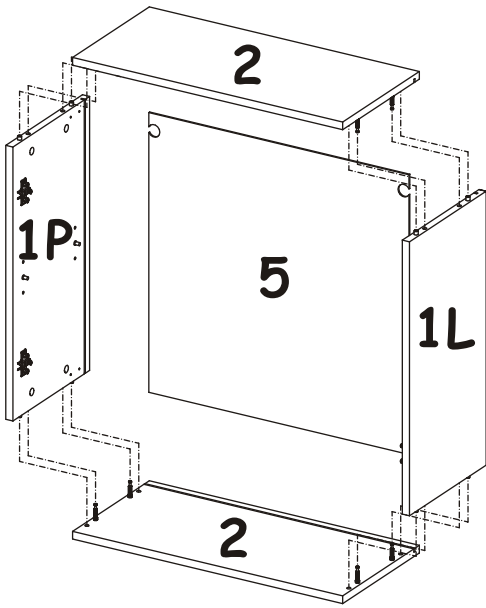
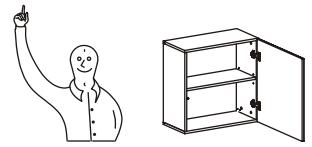
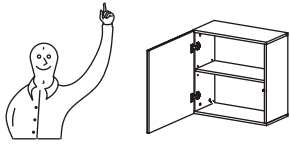


2

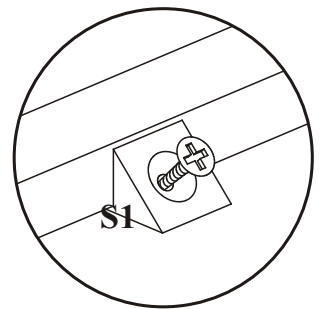
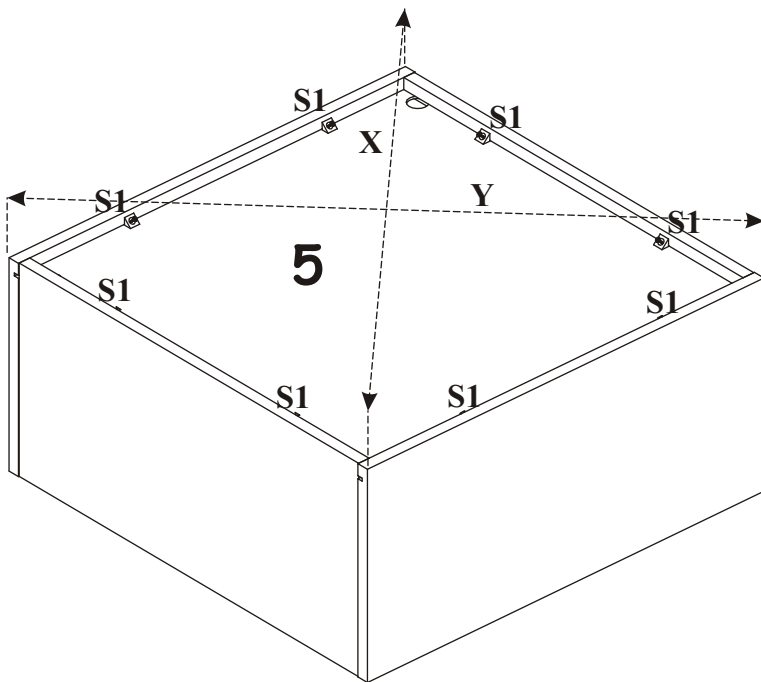


# SWITCH - SW3

3



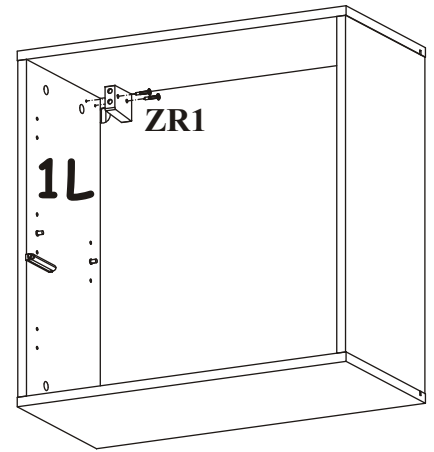
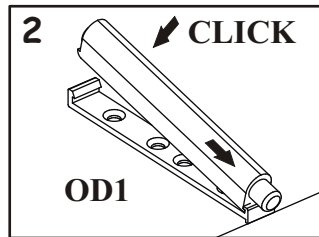
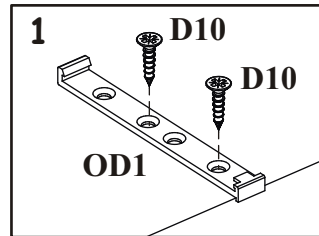
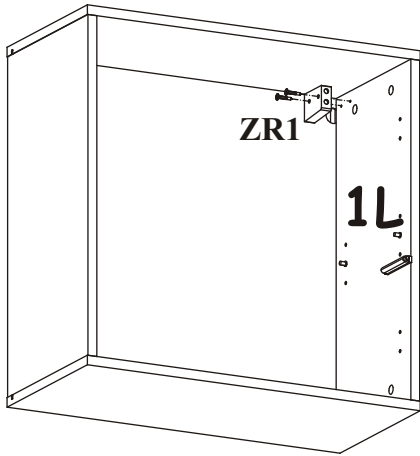
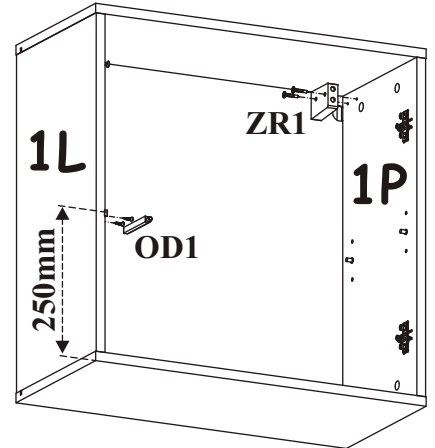
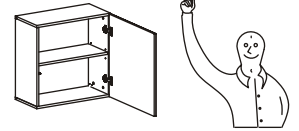
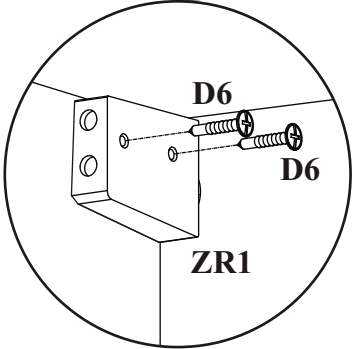
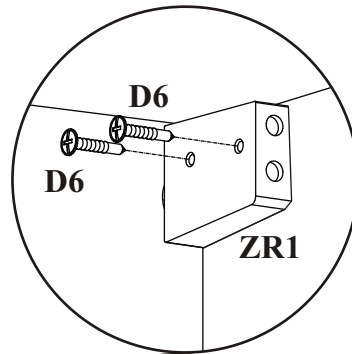
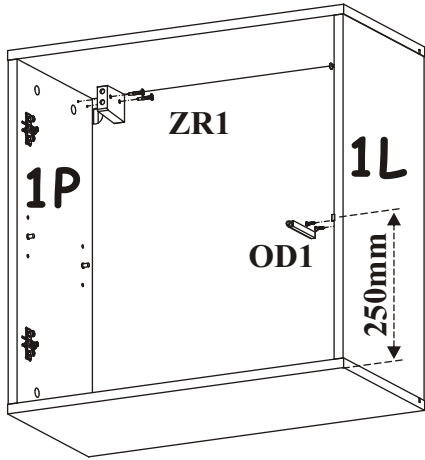
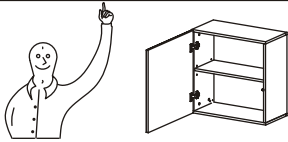
4



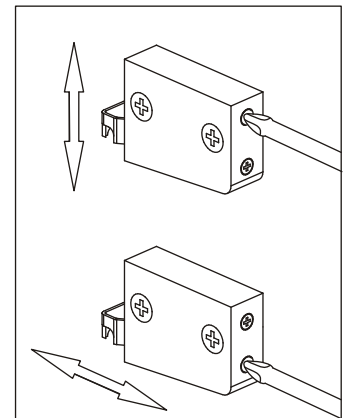
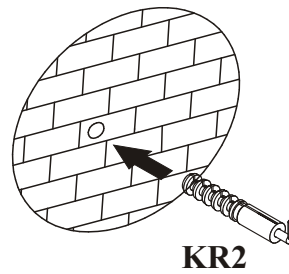
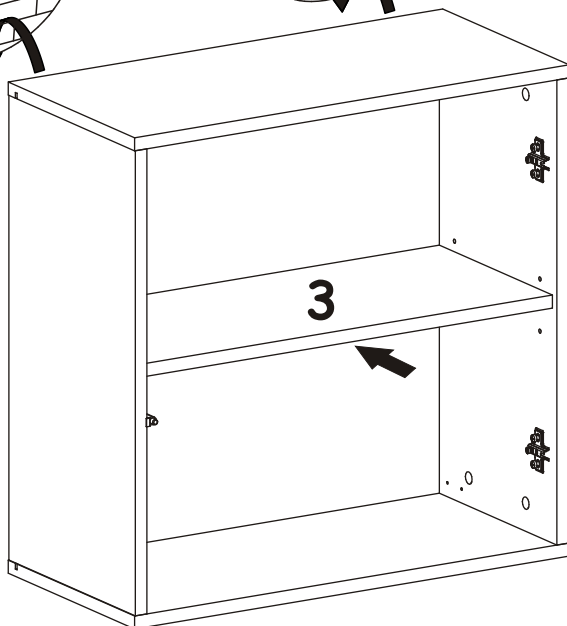
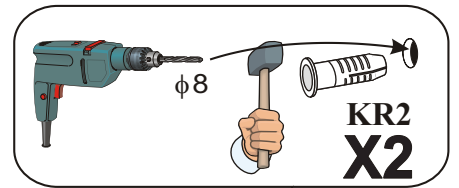
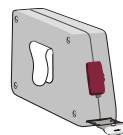
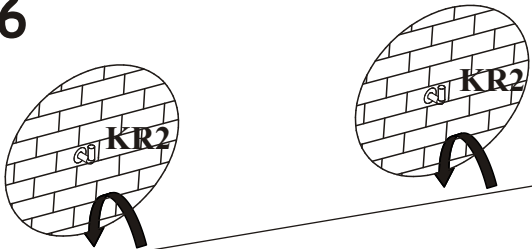
$X=Y$   $\uparrow$   $90^\circ$

# SWITCH - SW3

5



6



7

