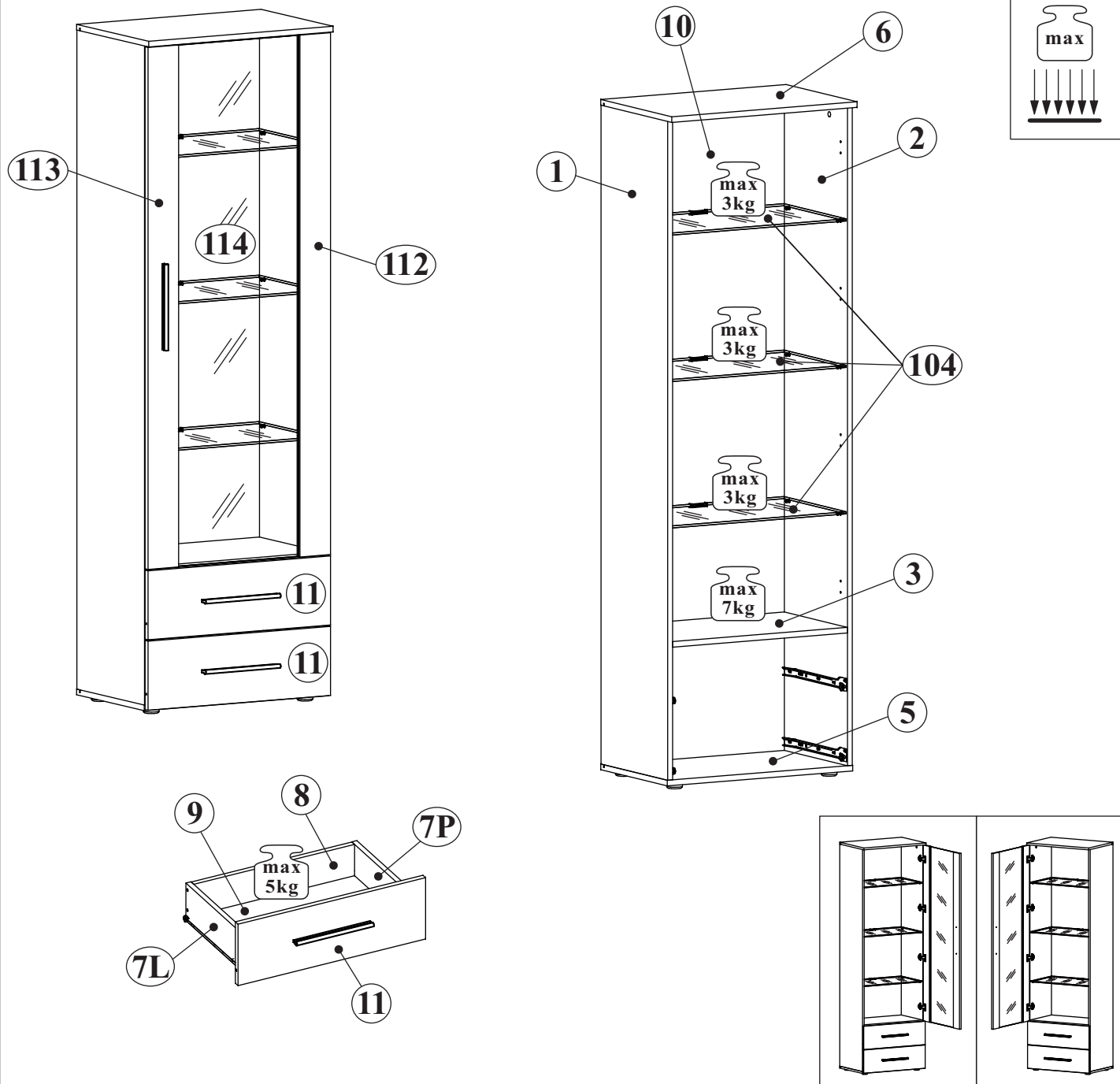
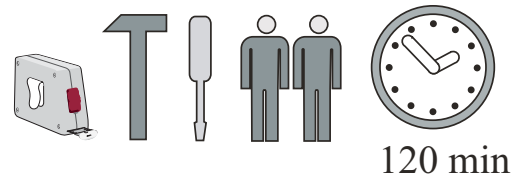


# GALINO 23\_N1

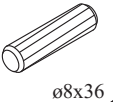
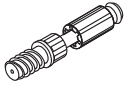
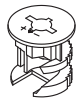



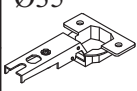
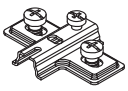




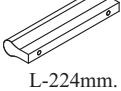

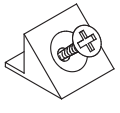
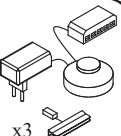

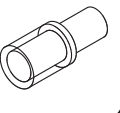
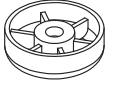

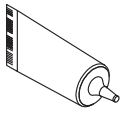
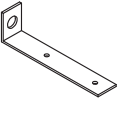
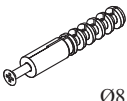

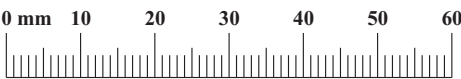
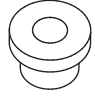



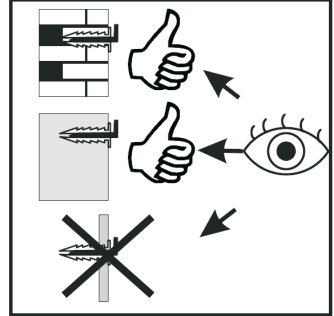
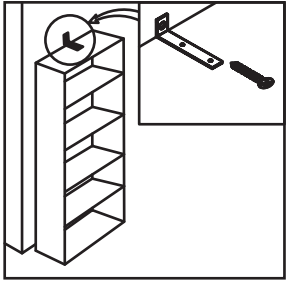
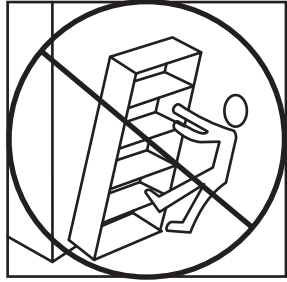
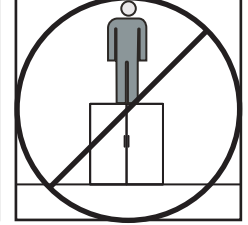
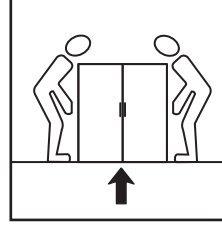
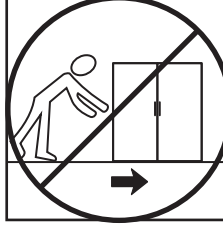
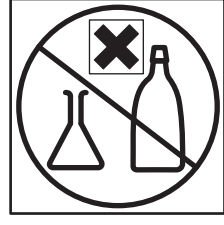
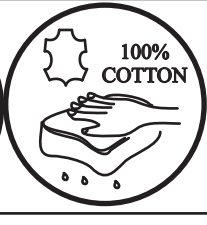
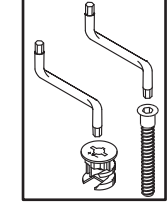
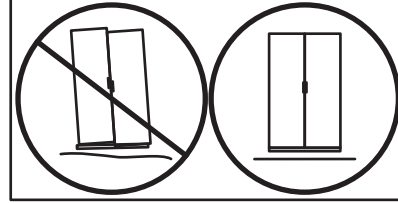
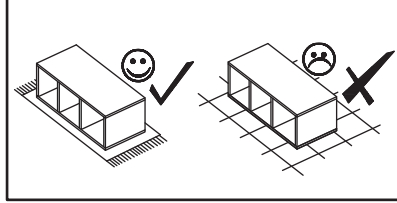
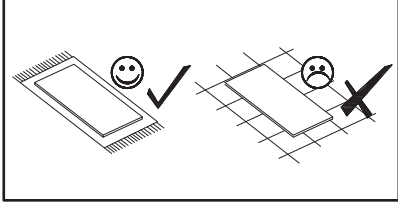
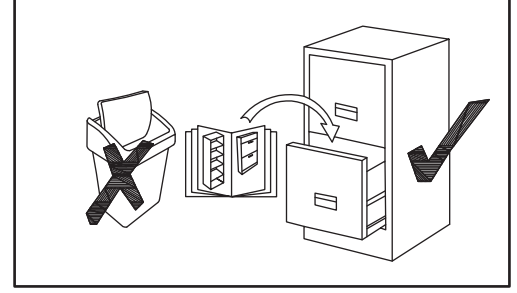
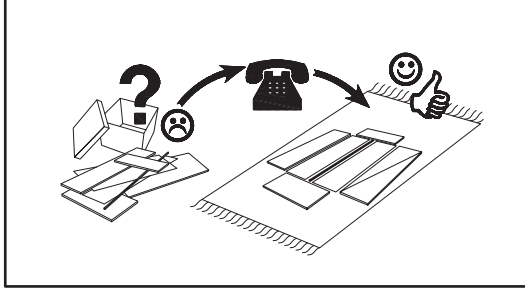
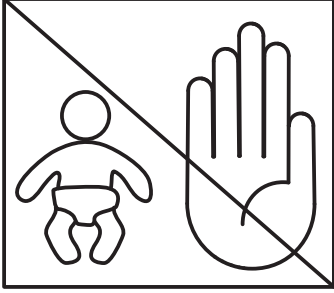
NO	Dim		Col.-No	Qty	
1	1872	375	16	1	1
2	1872	375	16	1	1
3	568	355	16	1	1
104	566	340	6	1	3
5	602	375	16	1	1
6	602	400	16	1	1
7L	350	120	16	1	2
7P	350	120	16	1	2
8	511	100	16	1	2
9	523	355	3	1	2
10	580	1884	3	1	1
11	596	196	16	1	2
112	100	1482	16	1	1
113	100	1482	16	1	1
114	1473	424	4	1	1

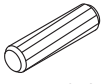

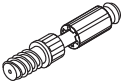
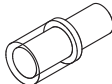
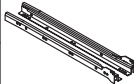



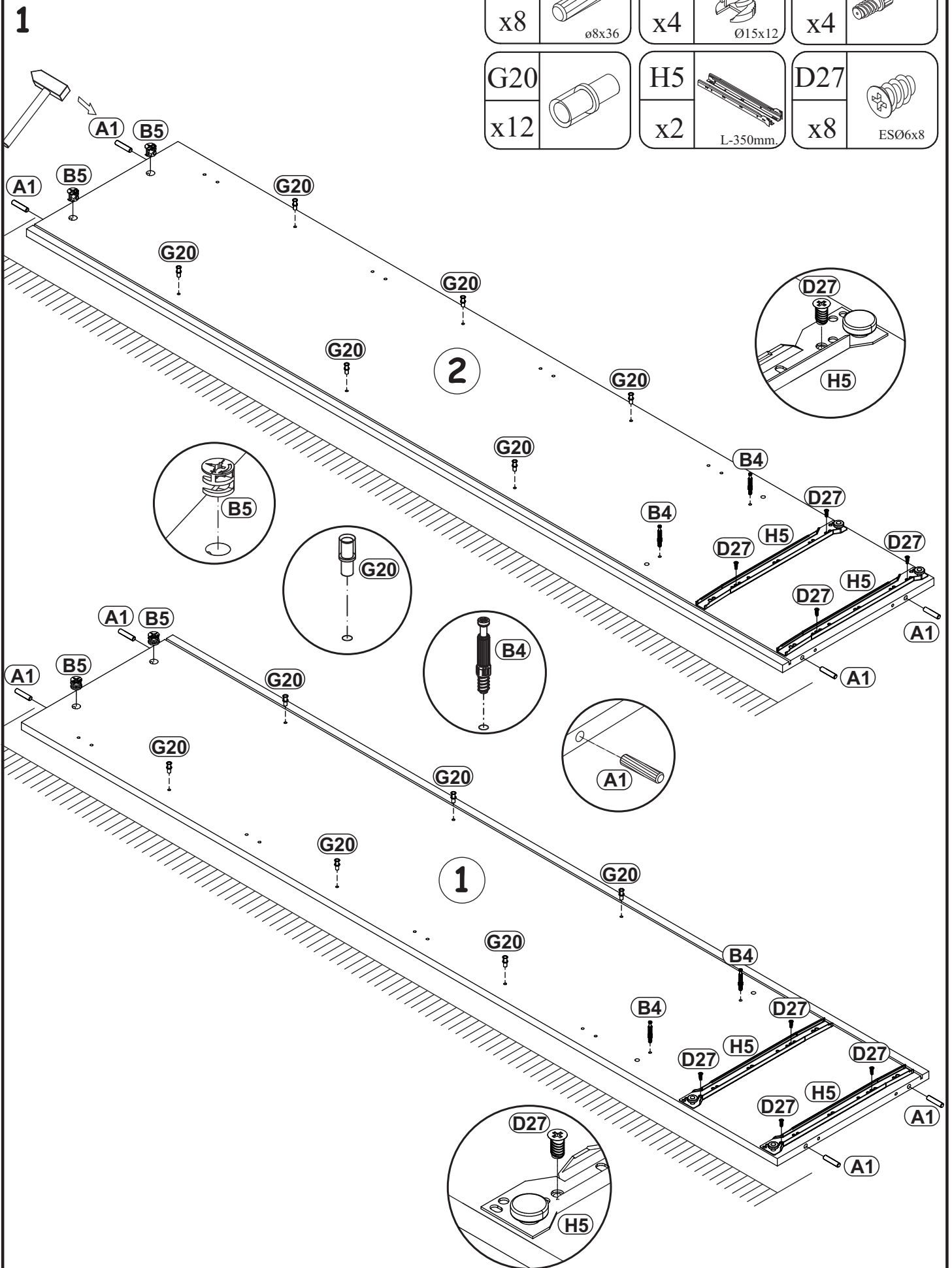
120 min

# GALINO 23\_N1

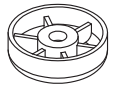
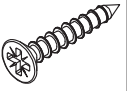
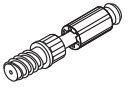
A1 x20  ø8x36	B4 x8 	B5 x8  Ø15x12	G5 x8 	B11 x12  Ø7x50	G4 x12 
E21 x4 Ø35  H=0	E2 x4  H=0	D10 x18  USØ3,5x13	H5 x2  L-350mm.	D27 x8  ESØ6x8	B3 x10  Ø1,4x25
KL x3  L-224mm.	UP6 x6  UPØ4x30	S1 x14 	LED x1  x3	Z2 x8  Ø5	G20 x12 
I11 x4  Ø45, h=15	D11 x4  USØ3,5x25	G1 x1 	L1 x1 	KR1 x1  Ø8	G2 x1 
				P2 x10 	UP13 x10  UPØ3x16

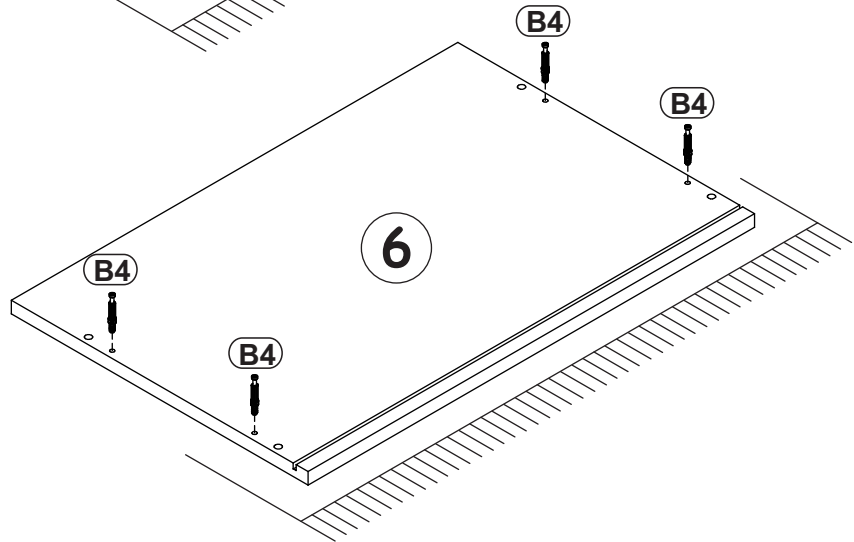
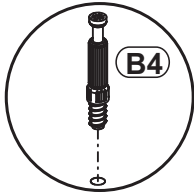
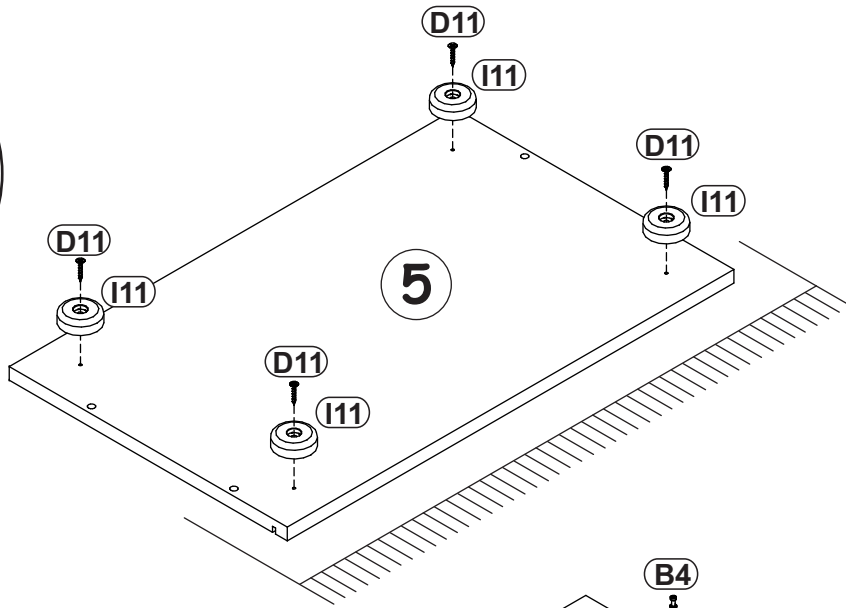
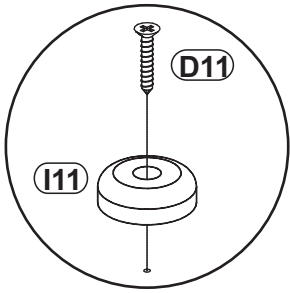


A1		B5		B4	
x8	ø8x36	x4	Ø15x12	x4	
G20		H5		D27	
x12		x2	L-350mm	x8	ESØ6x8


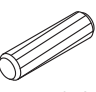


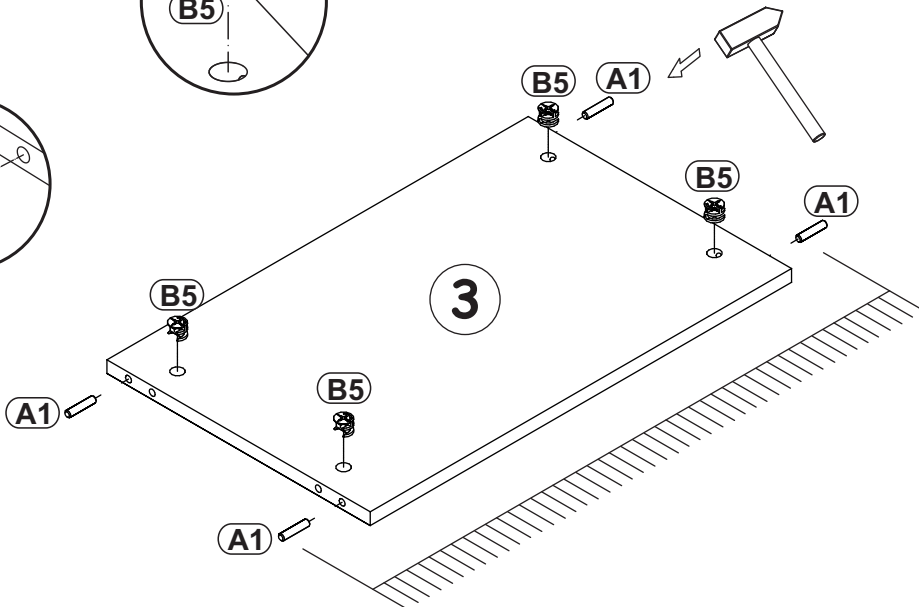
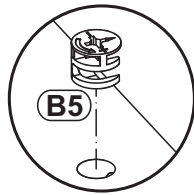
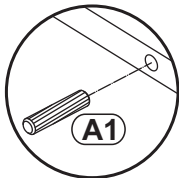
2

I11		D11		B4	
x4	Ø45, h=15	x4	USØ3,5x25	x4	


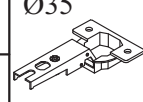




3

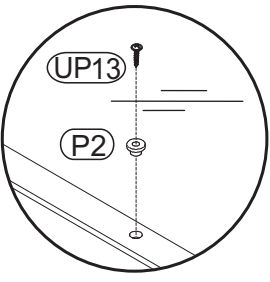
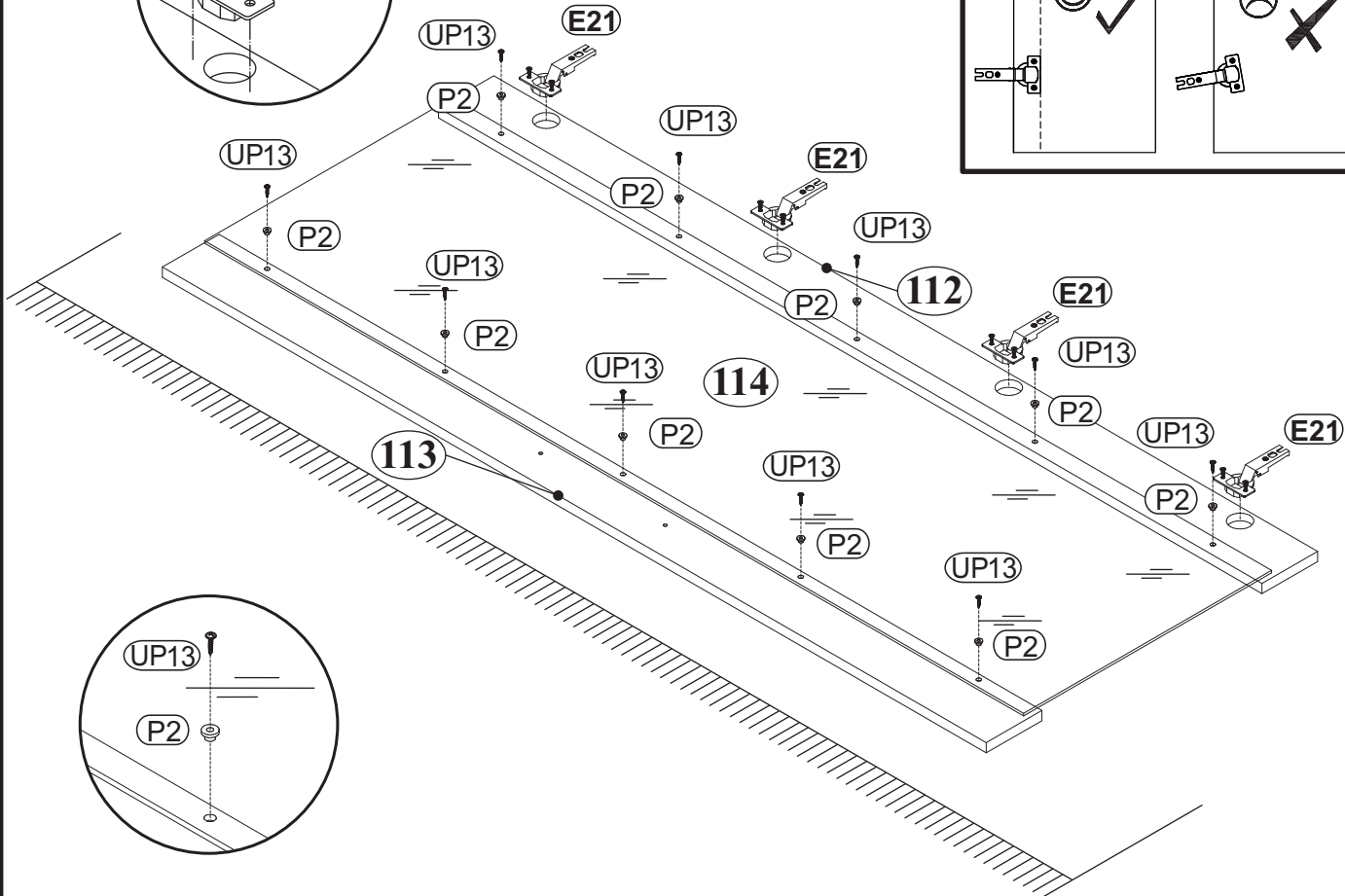
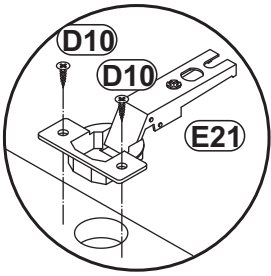
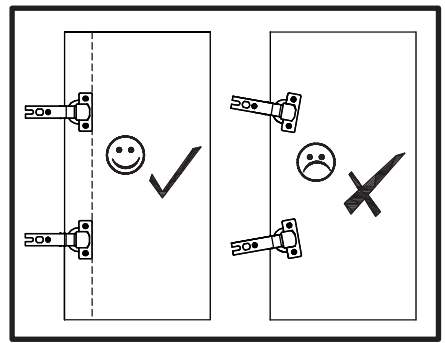
B5	
x4	Ø15x12
A1	
x4	Ø8x36



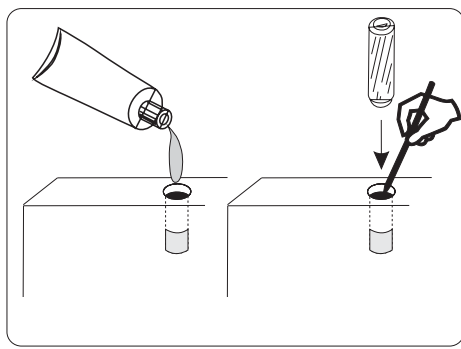
4

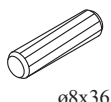
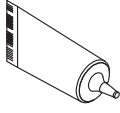
P2		E21		D10	
x10		x4	Ø35 H=0	x8	USØ3,5x13

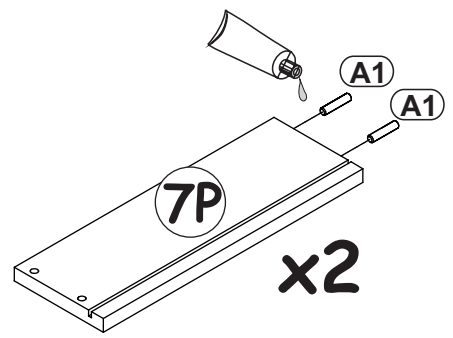
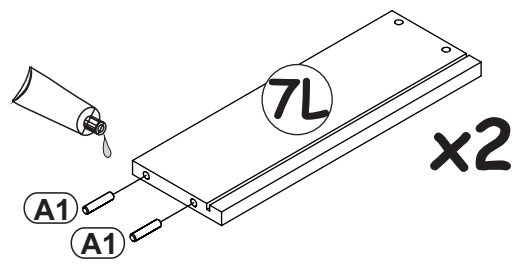
UP13	
x10	UPØ3x16





5

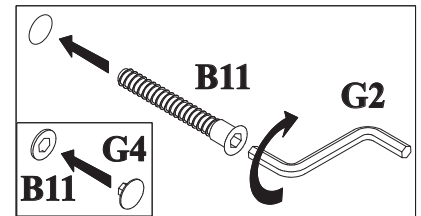
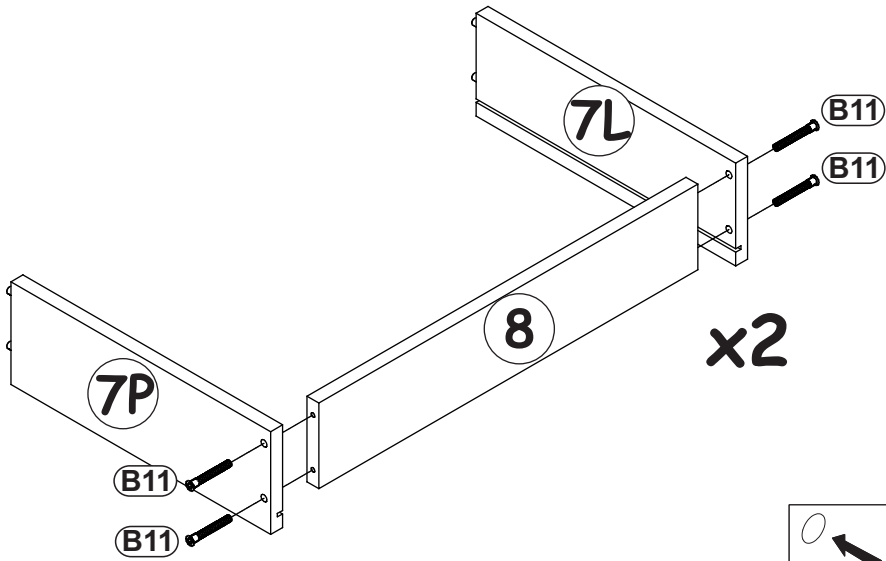


A1		G1	
x8	ø8x36	x1	

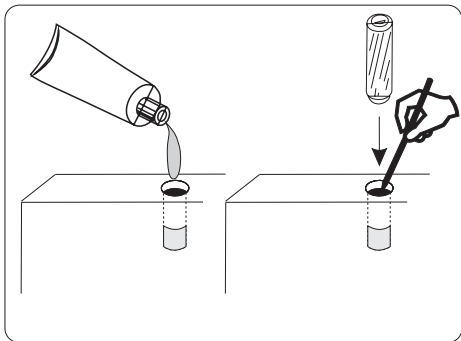


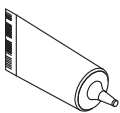
6

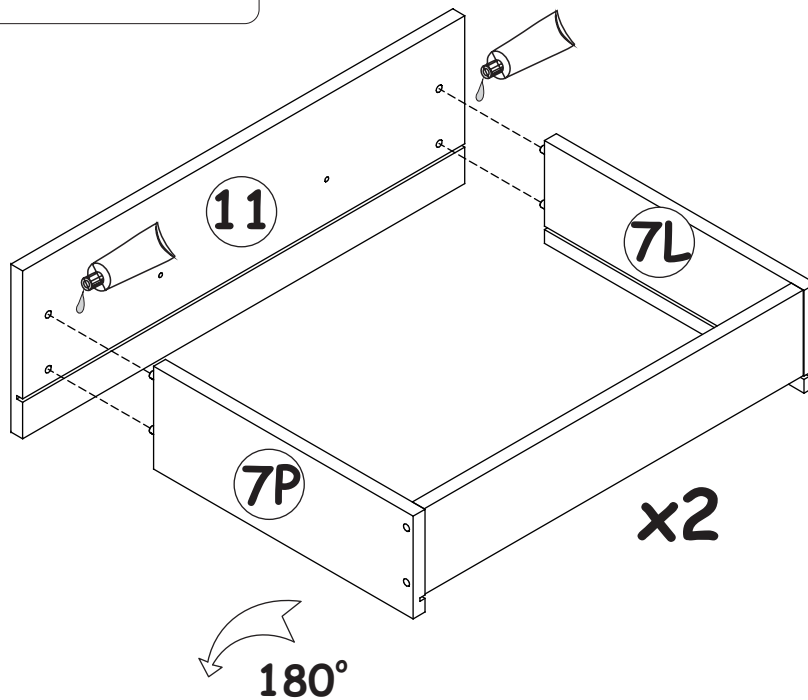
B11		G4	
x8	Ø7x50	x8	



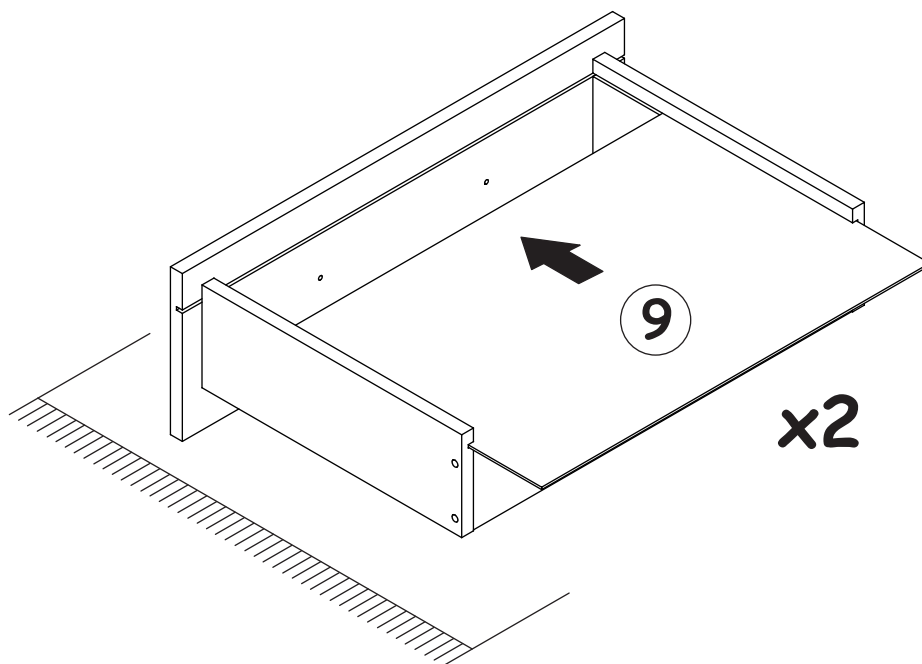
7



G1	
x1	




8

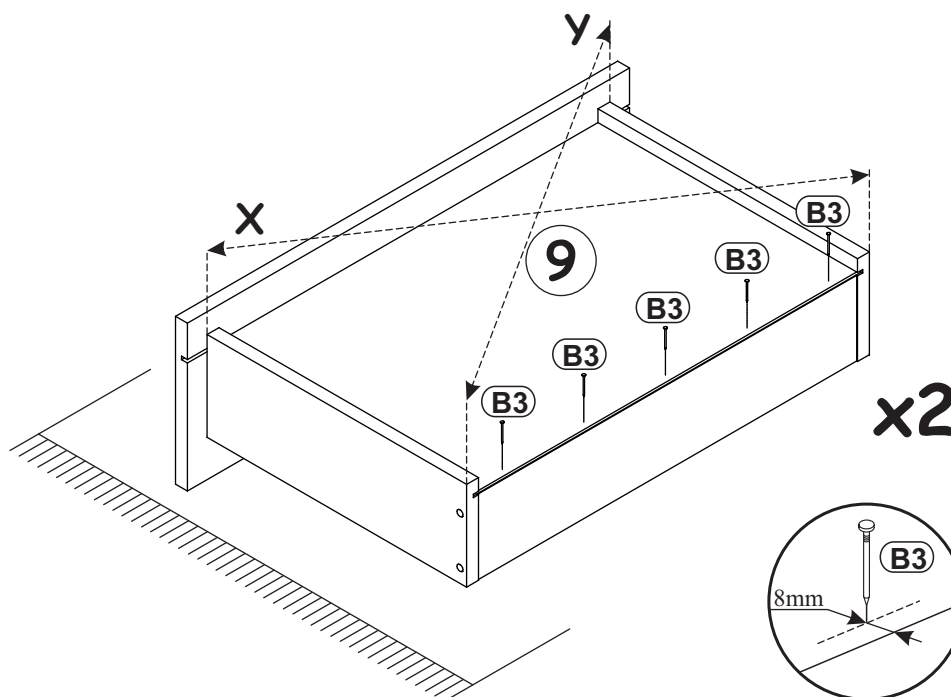


9

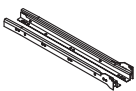
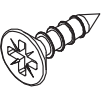


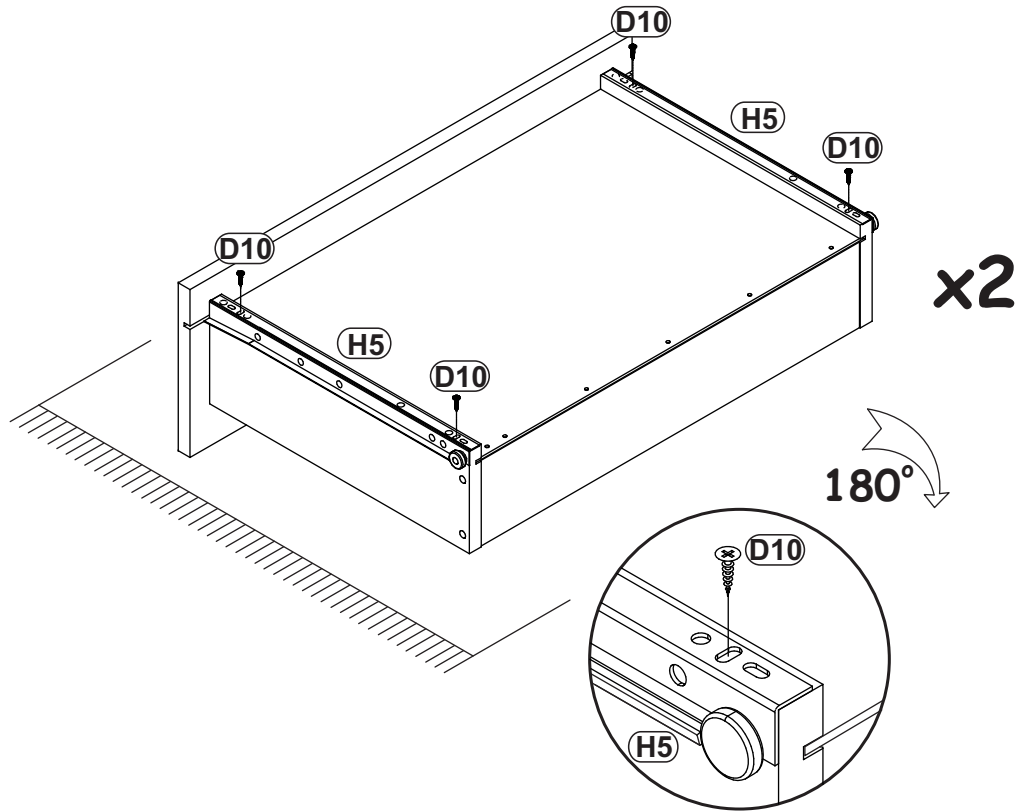
$X=Y$   $90^\circ$

B3	
x10	

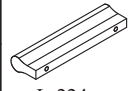



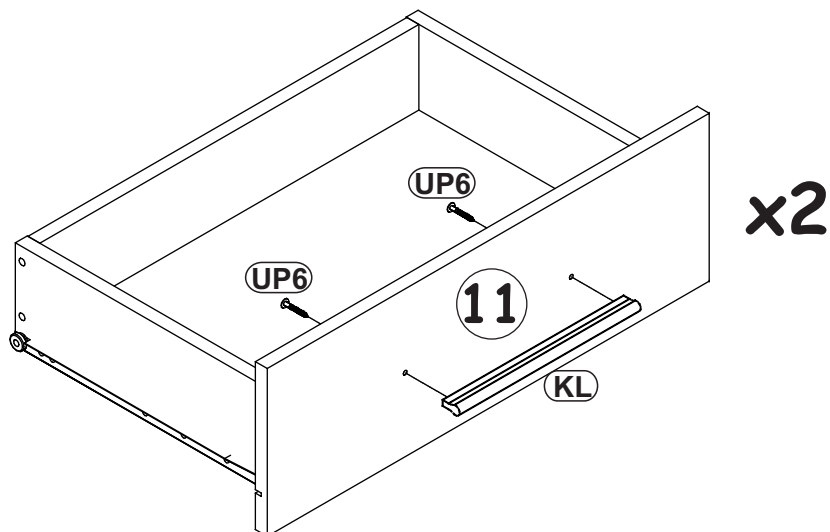
10

H5		D10	
x2	L-350mm.	x8	USØ3,5x13



11

KL		UP6	
x2	L-224mm.	x4	UPØ4x30



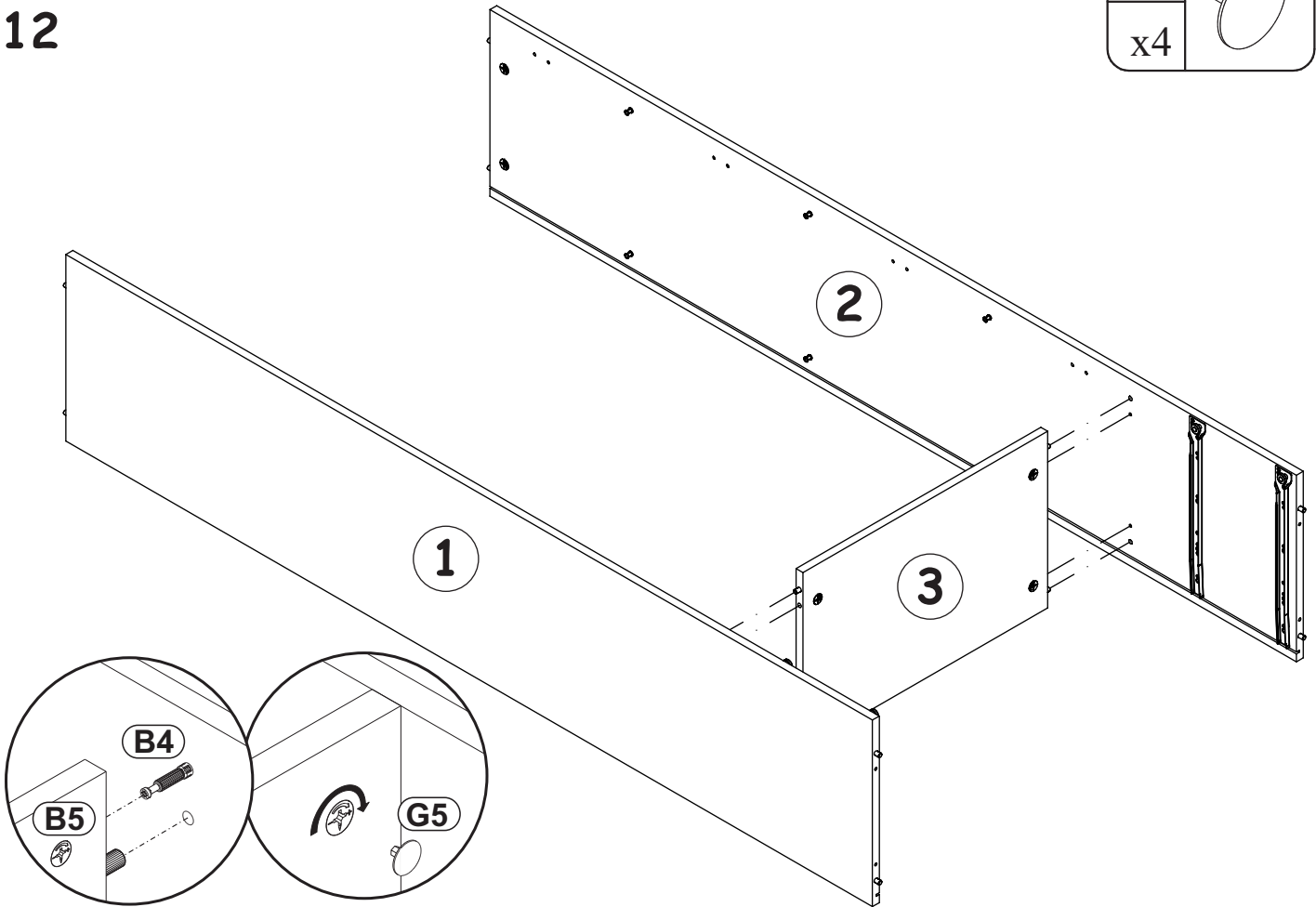


G5

x4

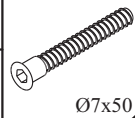


12



B11

x4

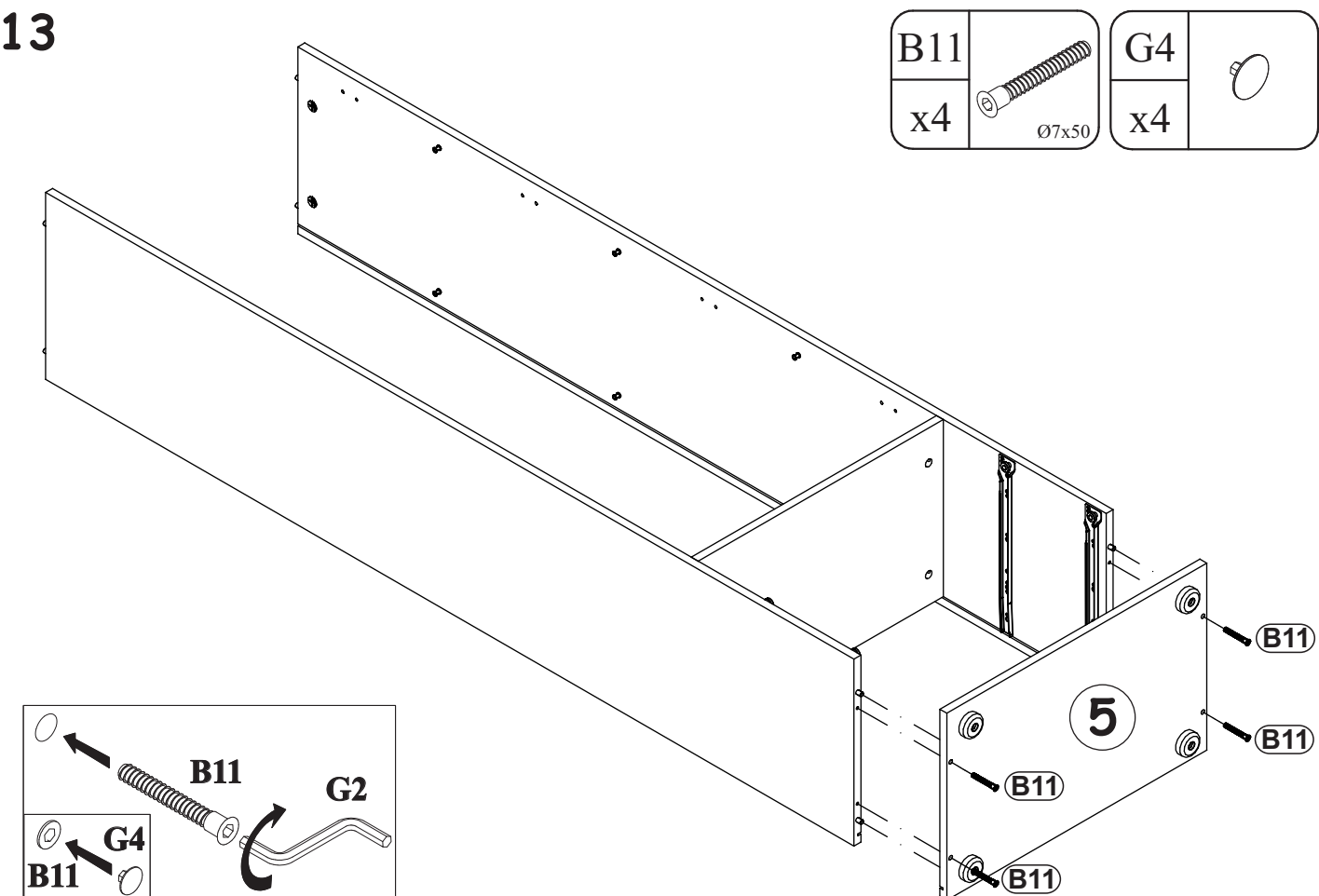


G4

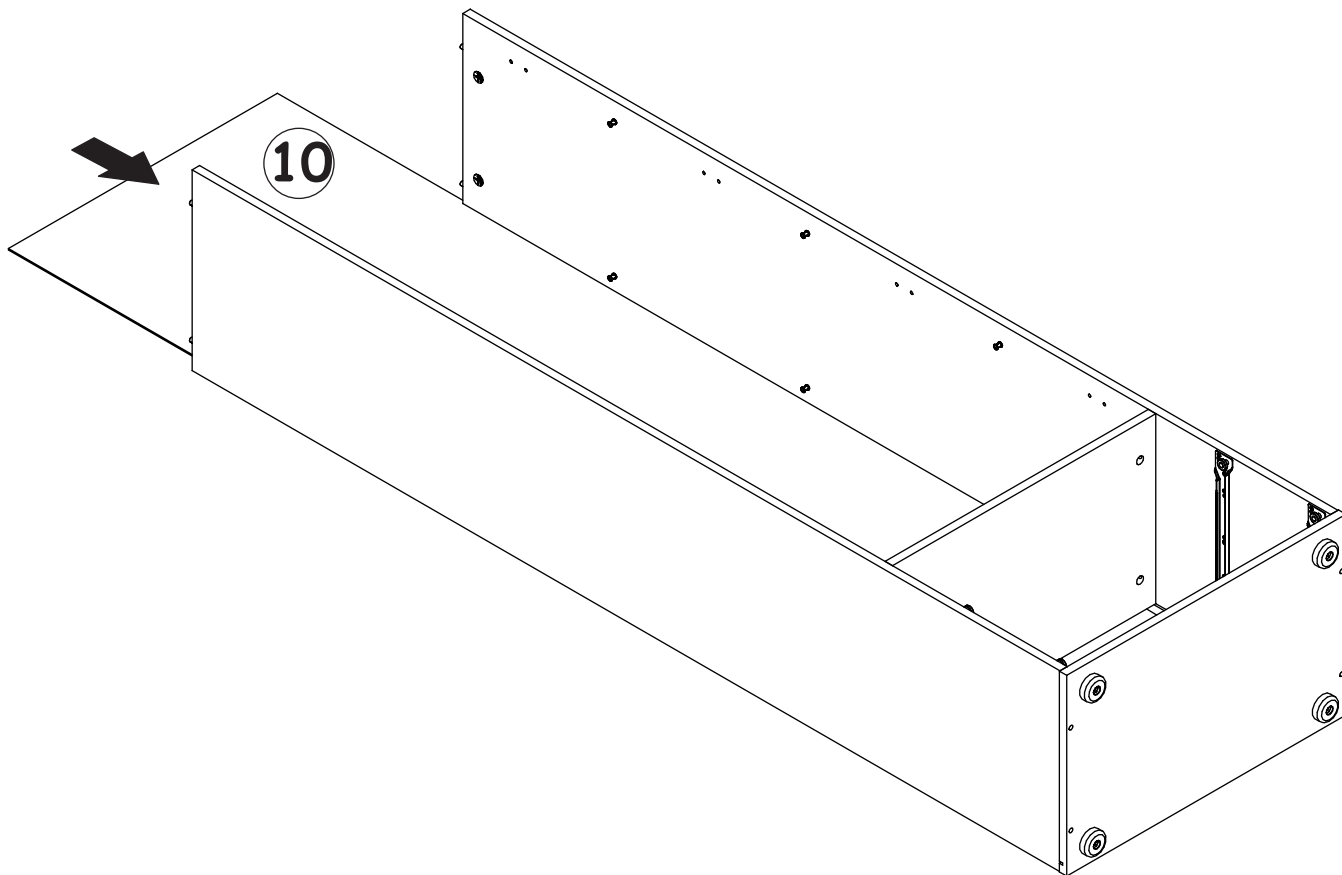
x4



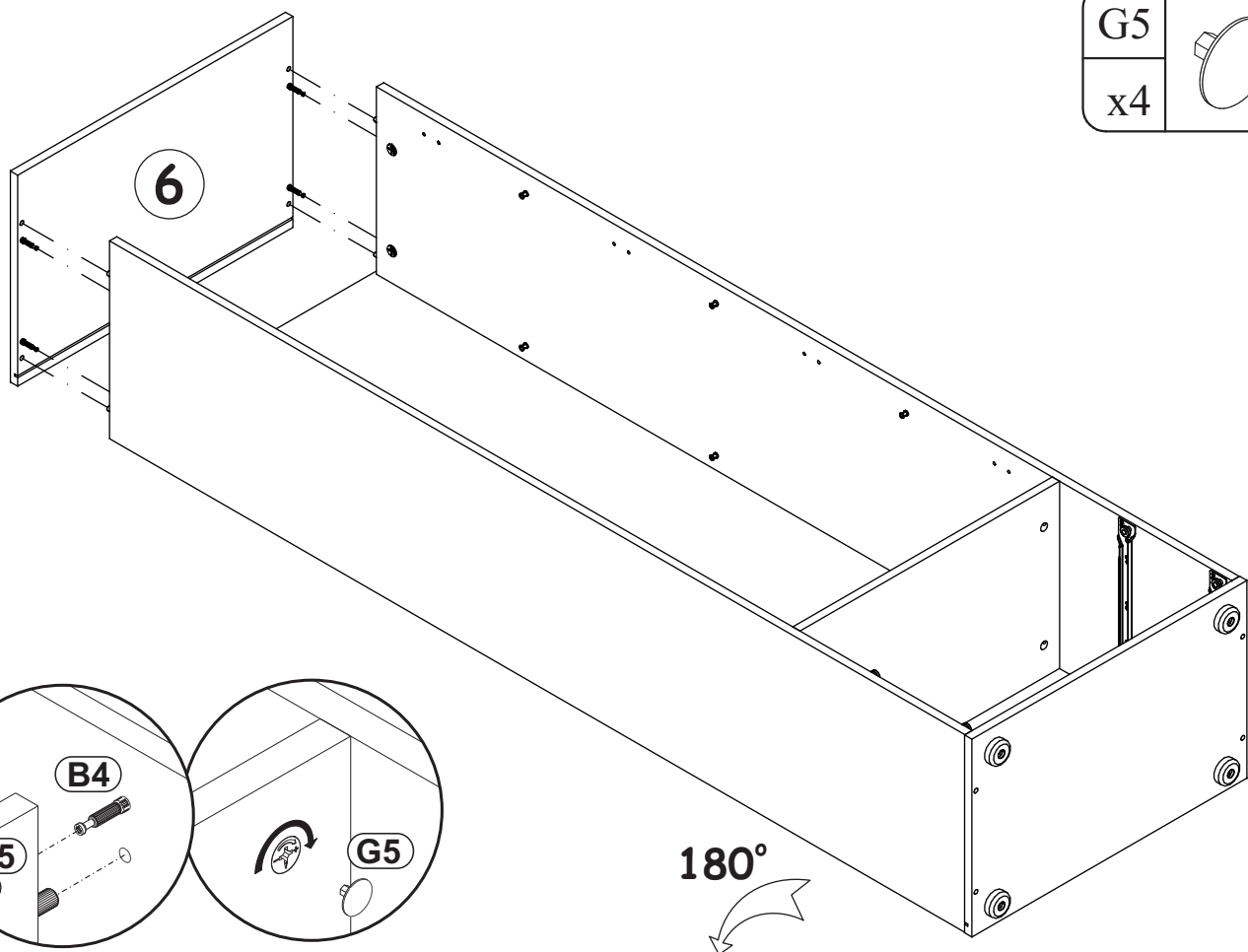
13



14



15




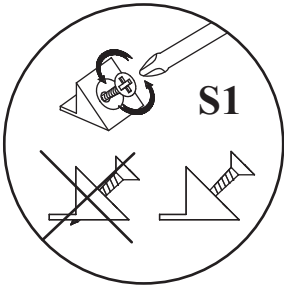
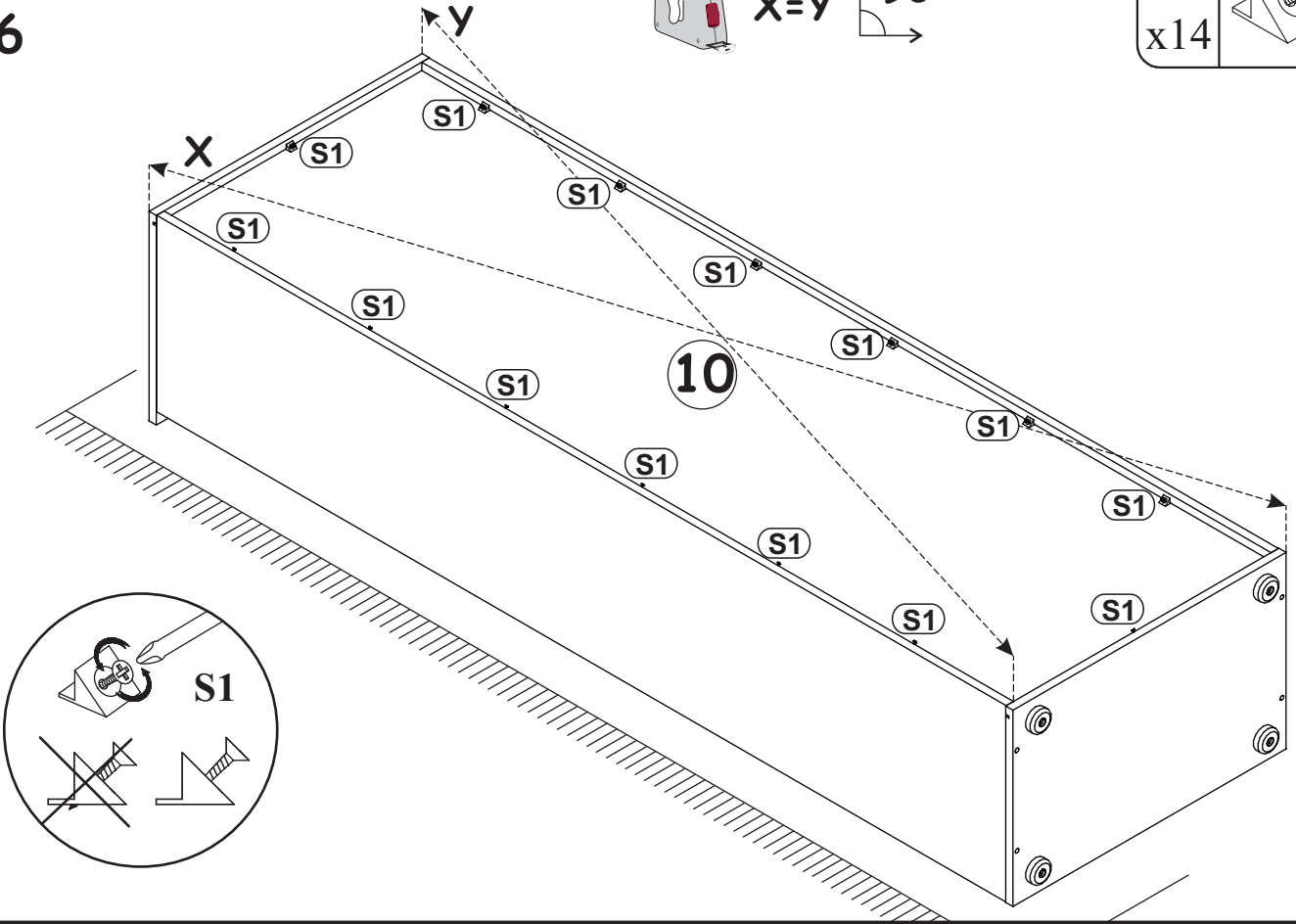
G5	
x4	

Diagram 15 includes two circular callouts providing detailed views of the assembly process. The first callout shows the installation of a screw labeled 'B4' and a washer labeled 'B5' into the cabinet frame. The second callout shows the installation of a knob labeled 'G5' onto the cabinet frame, with a curved arrow indicating the rotation of the knob.

16

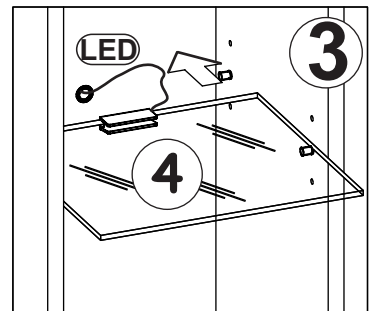
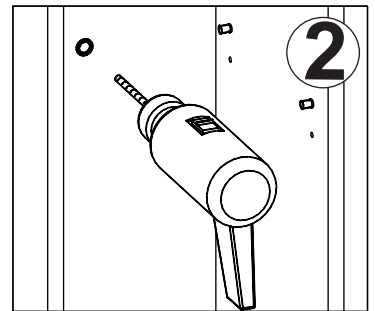
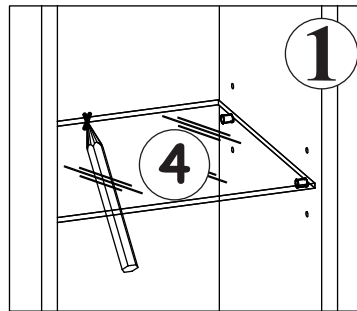
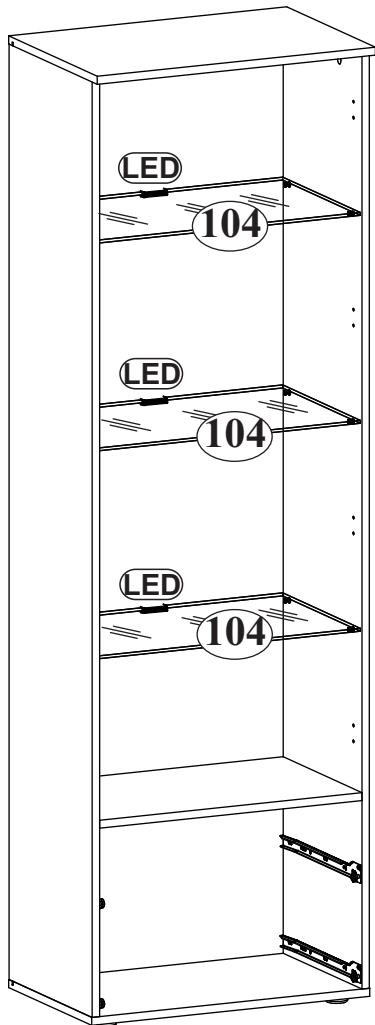


S1	
x14	

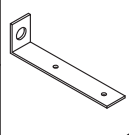


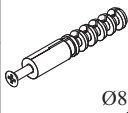
17


LED	
x1	x3

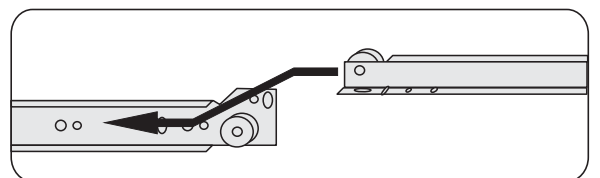
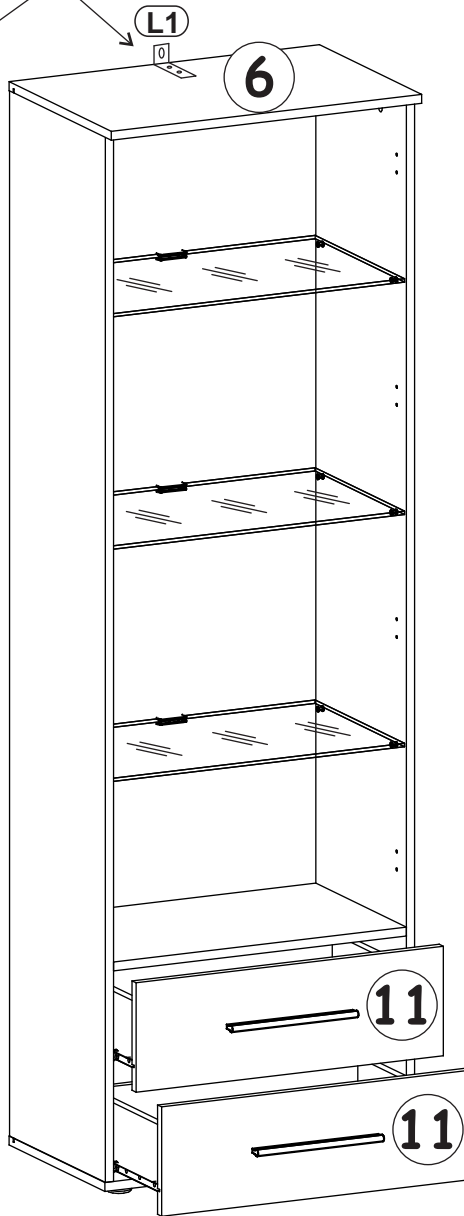
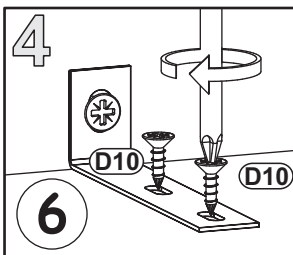
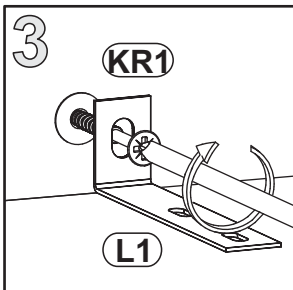
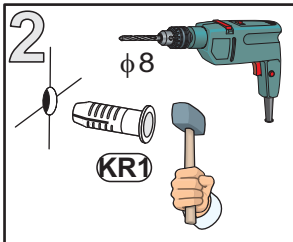
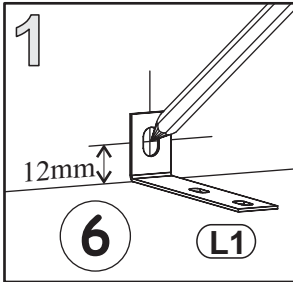
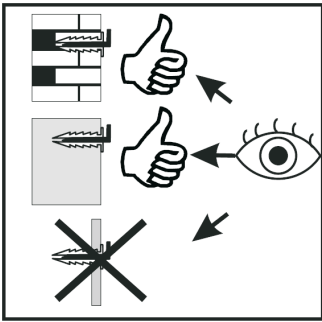


18

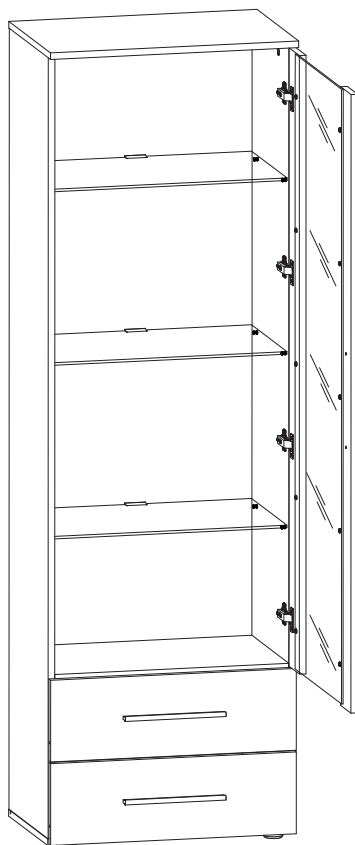
L1	
x1	

KR1	
x1	Ø8

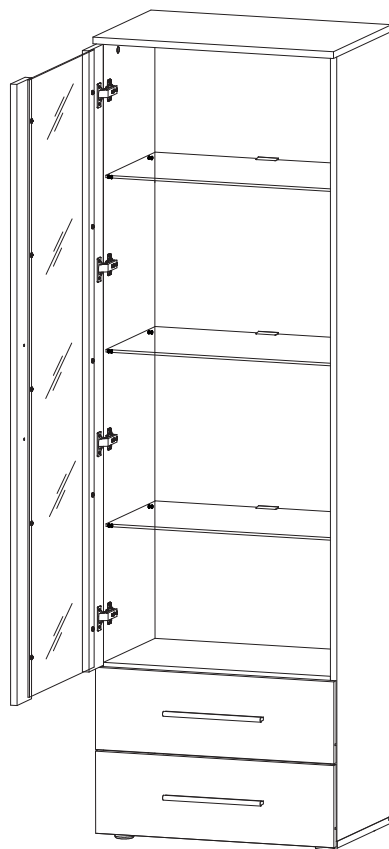
D10	
x2	USØ3,5x13



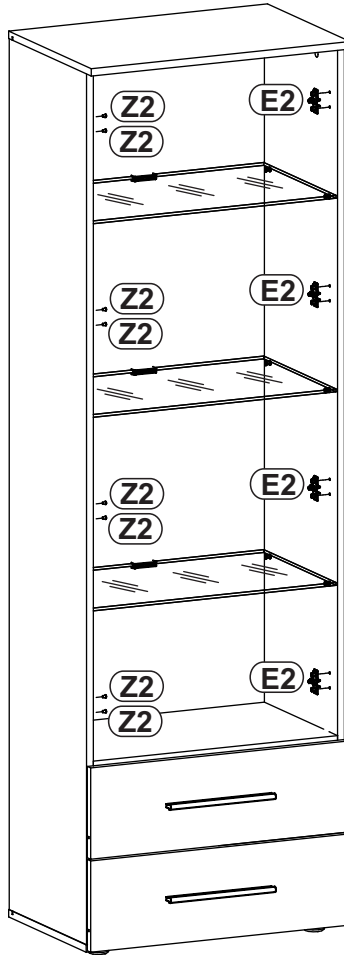
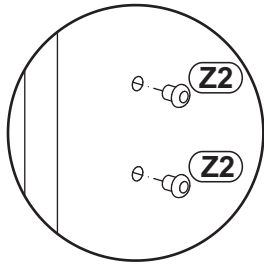
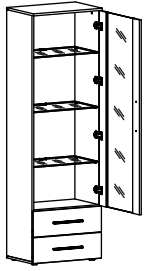
**19-21**



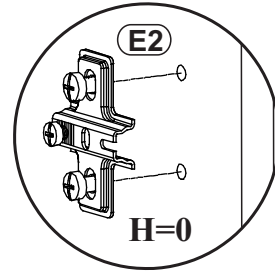
**22-24**



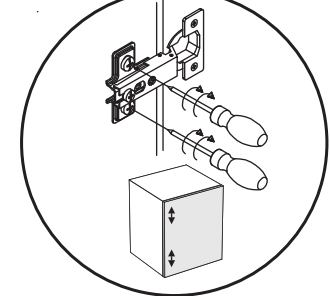
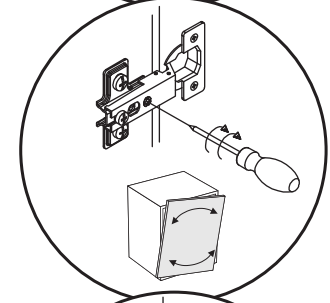
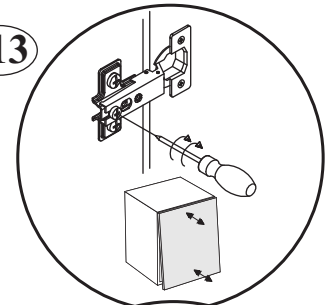
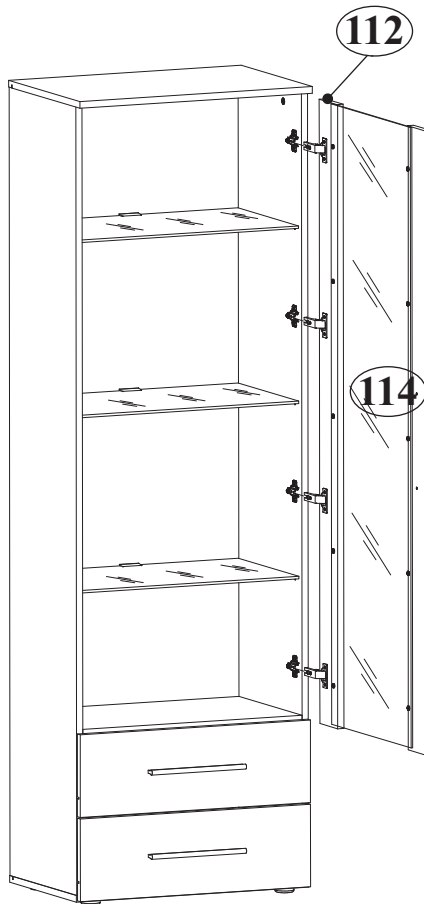
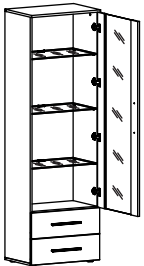
19



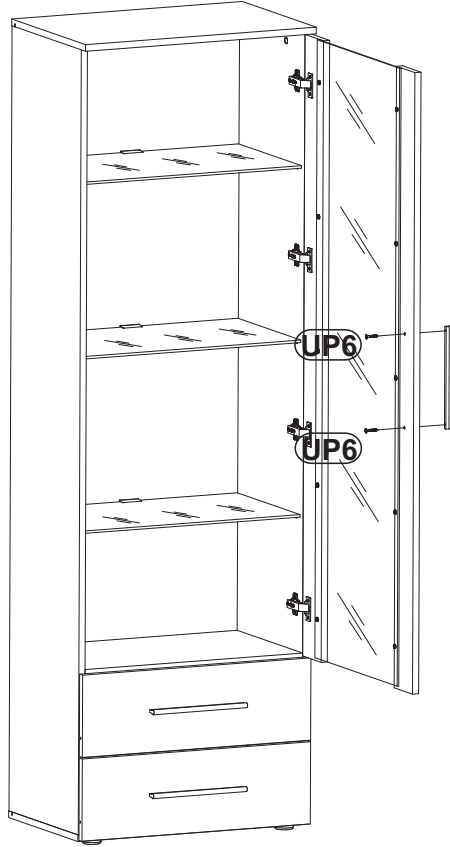
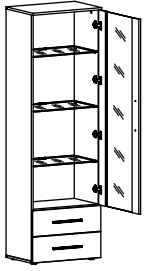
E2		Z2	
x4	H=0	x8	Ø5

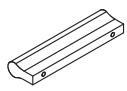


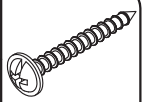
20



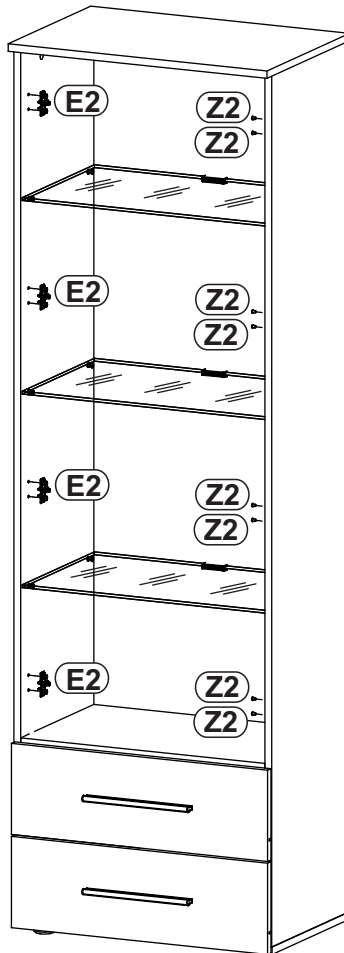
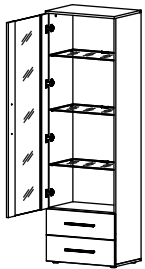
21

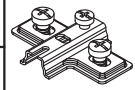



KL	
x1	L-224mm.

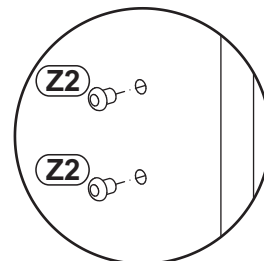
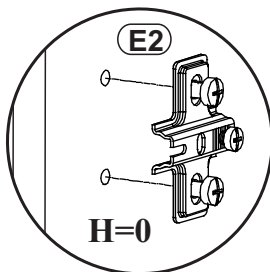
UP6	
x2	UPØ4x30

22

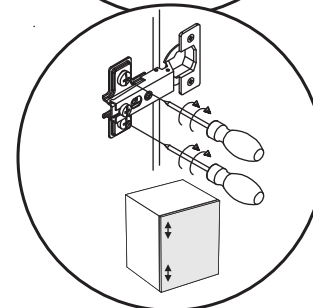
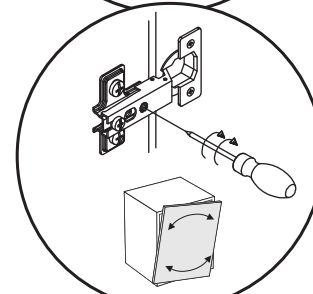
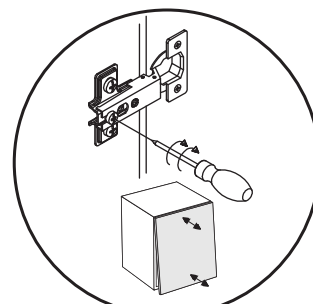
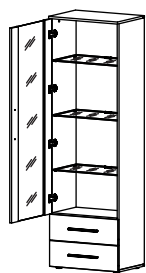


E2	
x4	H=0

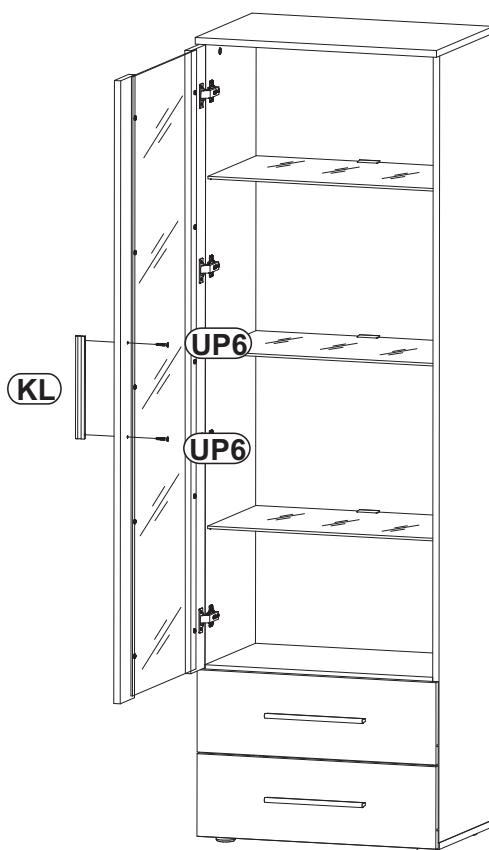
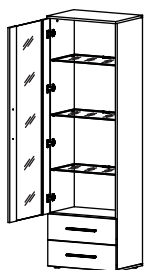
Z2	
x8	Ø5

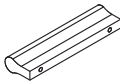
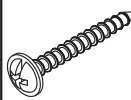


23



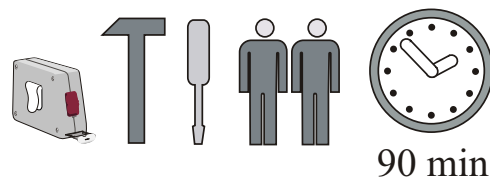
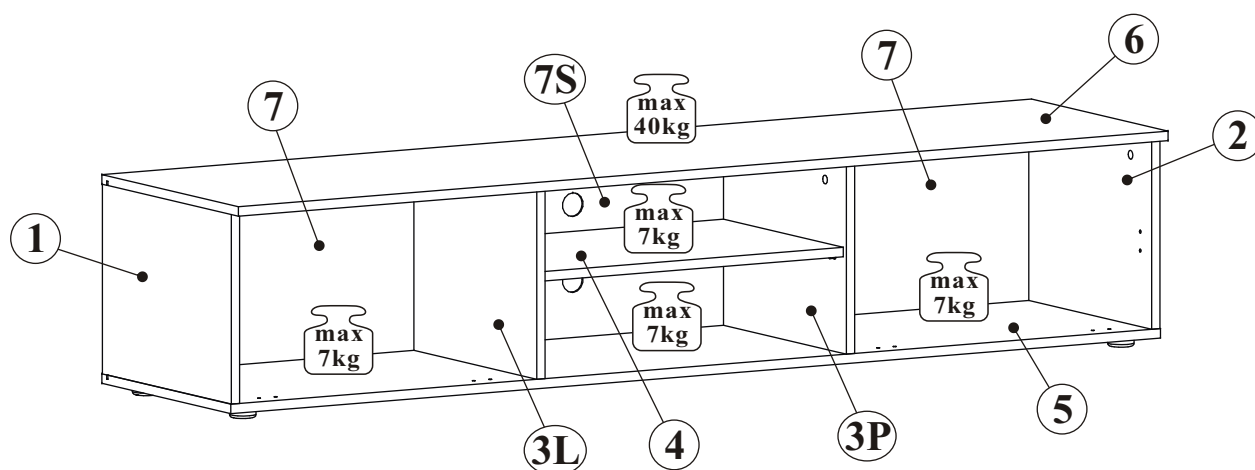
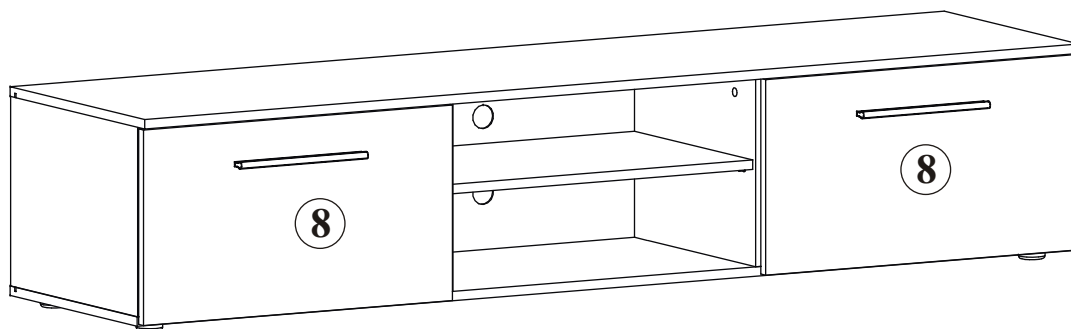
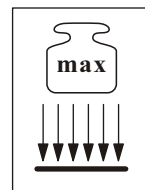
24



KL		UP6	
x1	L-224mm.	x2	UPØ4x30

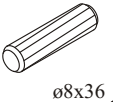
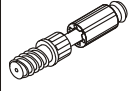




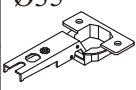
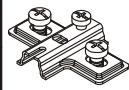
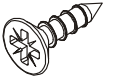

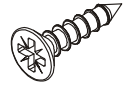
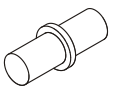
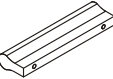

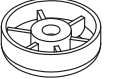


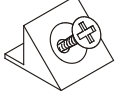
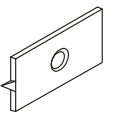
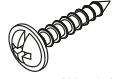



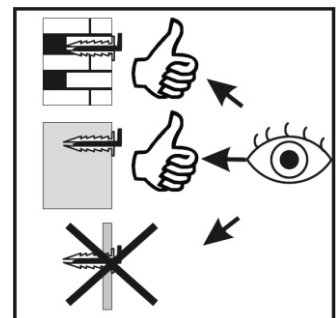
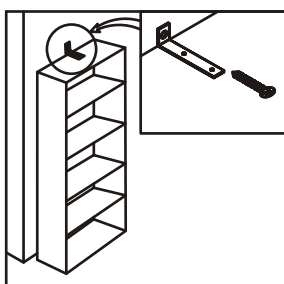
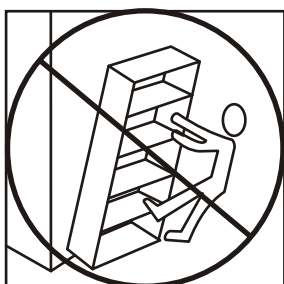
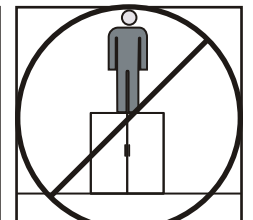
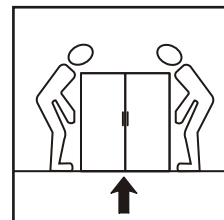
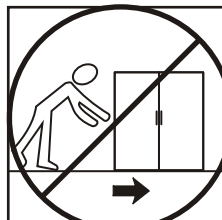
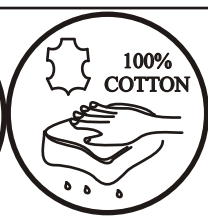
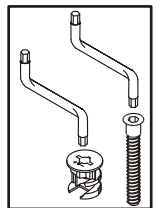
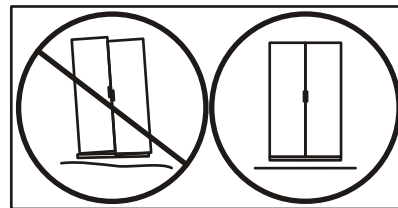
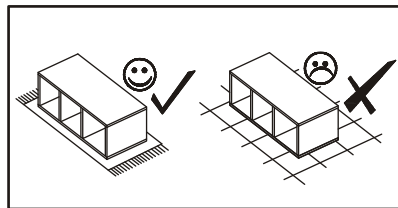
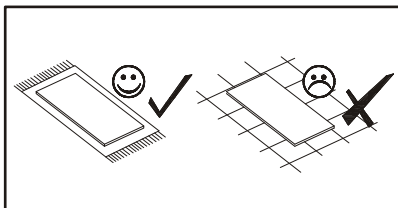
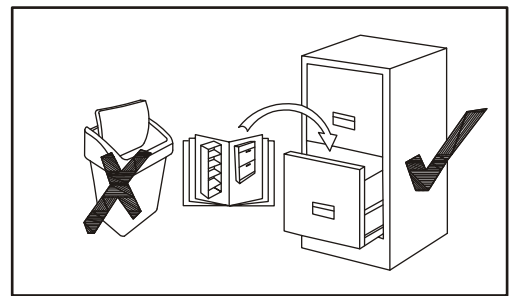
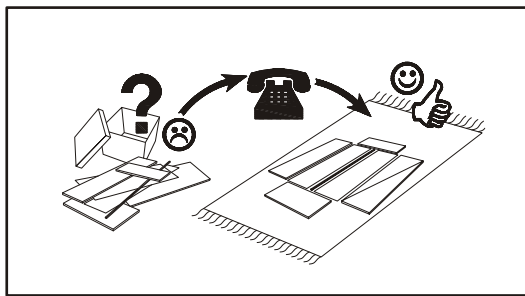
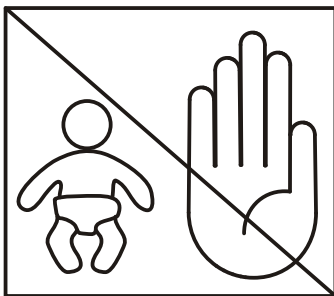
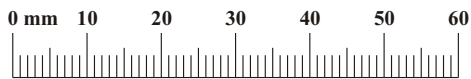
# GALINO 26\_B2

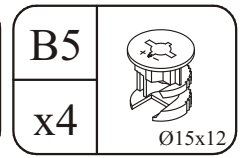
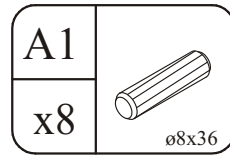


NO	Dim.			Col.-No	Qty
1	320	425	16	1	1
2	320	425	16	1	1
3L	320	405	16	1	1
3P	320	405	16	1	1
4	584	395	16	1	1
5	1802	425	16	1	1
6	1802	450	16	1	1
7S	598	332	3	1	1
7	589	332	3	1	2
8	596	330	16	1	2

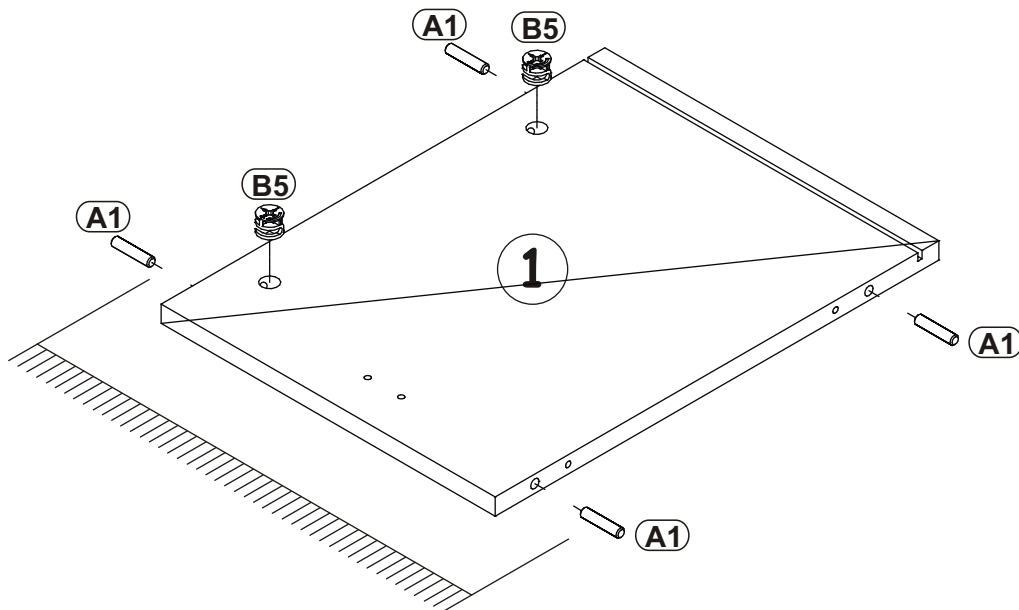
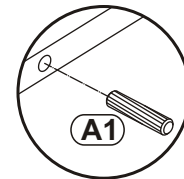
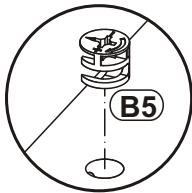
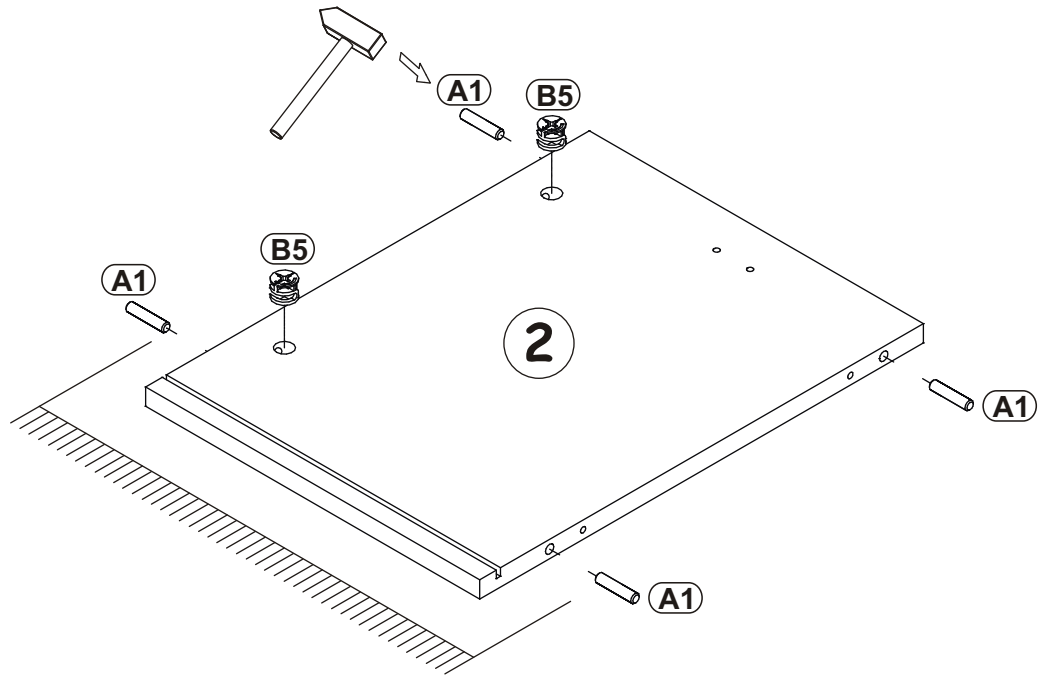
# GALINO 26\_B2

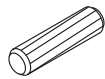
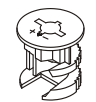
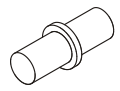
A1 x16  ø8x36	B4 x8 	B5 x8  Ø15x12	G5 x8 	B11 x8  Ø7x50	G4 x8 
E21 x4 Ø35  H=0	E2 x4  H=0	D10 x14  USØ3,5x13	G21 x2 	D7 x6  USØ3x16	G7 x4 
KL x2  L-224mm.	UP6 x4  UPØ4x30	I11 x6  Ø45, h=15	D11 x6  USØ3,5x25	G19 x2  Ø20	S1 x14 
G16 x4 	UP13 x4  UPØ3x16	G2 x1 			



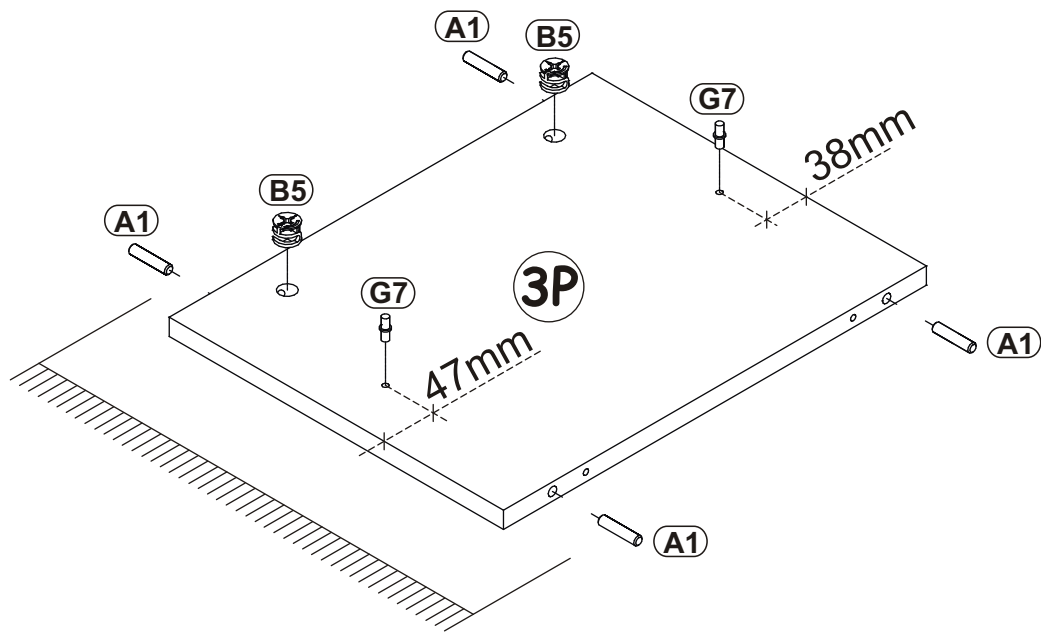
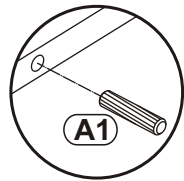
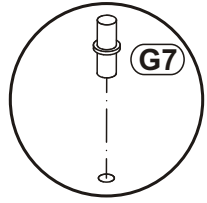
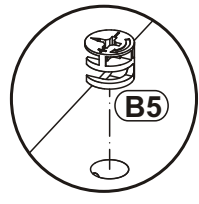
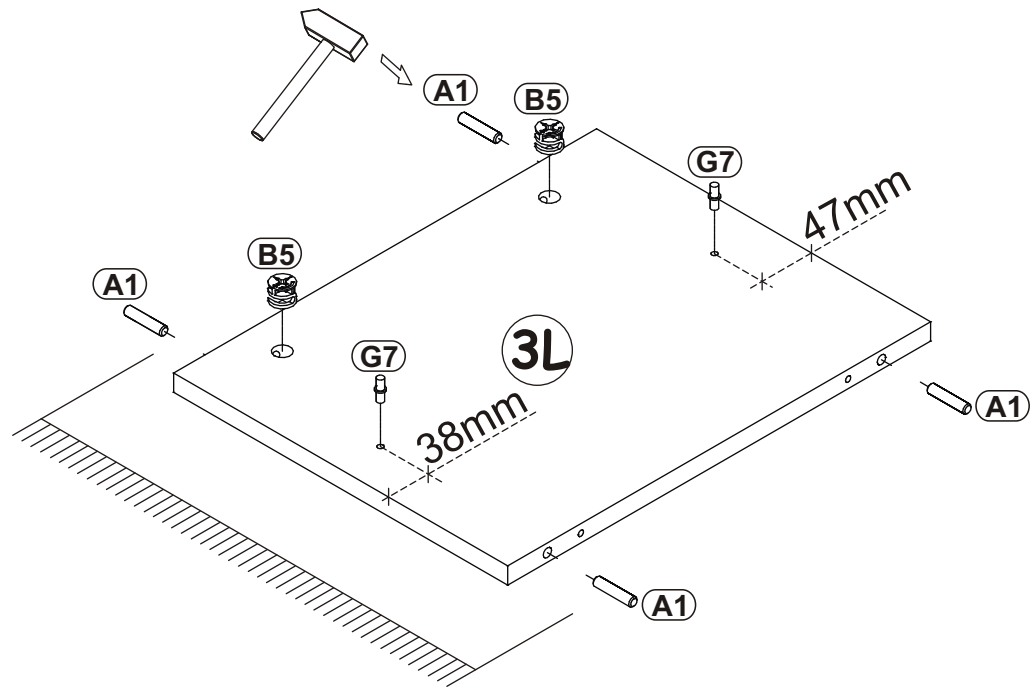


1

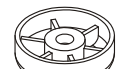

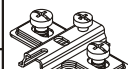


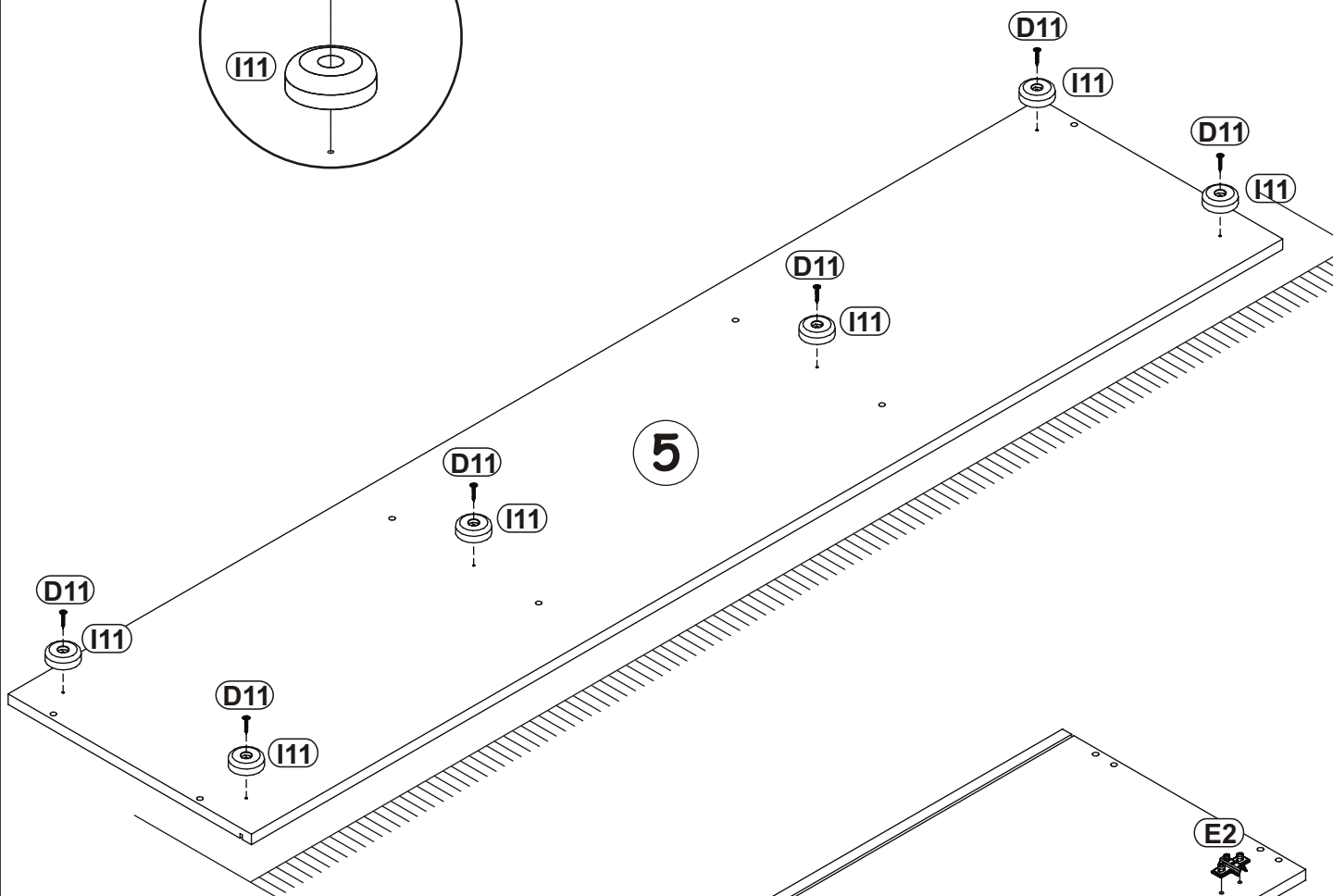
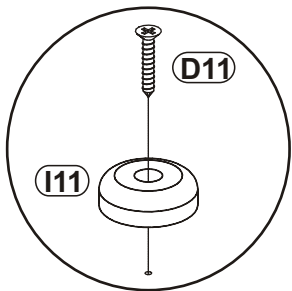
A1		B5		G7	
x8	ø8x36	x4	Ø15x12	x4	

2

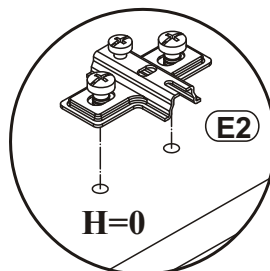
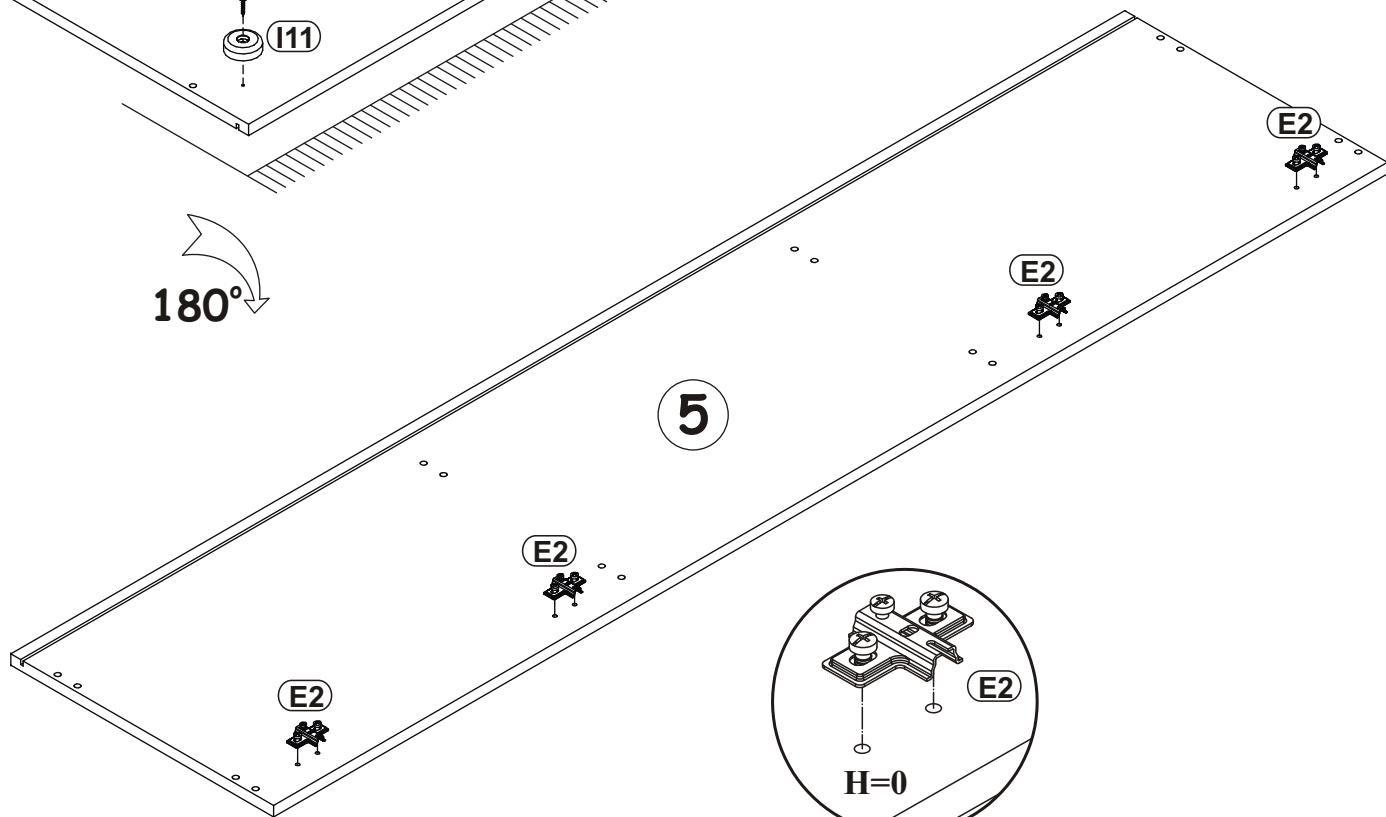


3

I11		D11		E2	
x6	Ø45, h=15	x6	USØ3,5x25	x4	H=0



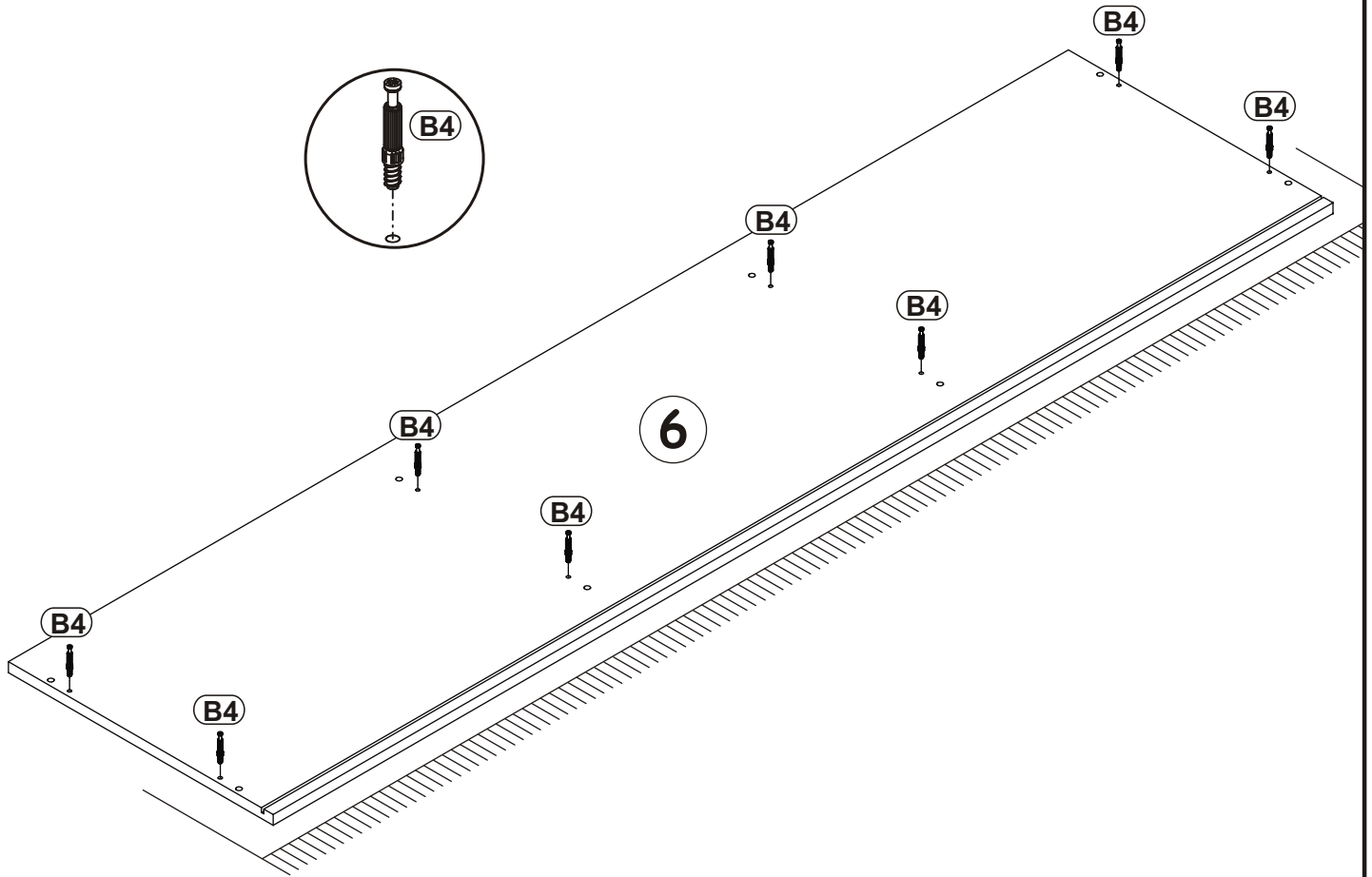
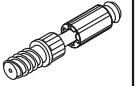
180°



4

B4

x8

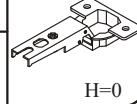


5

E21

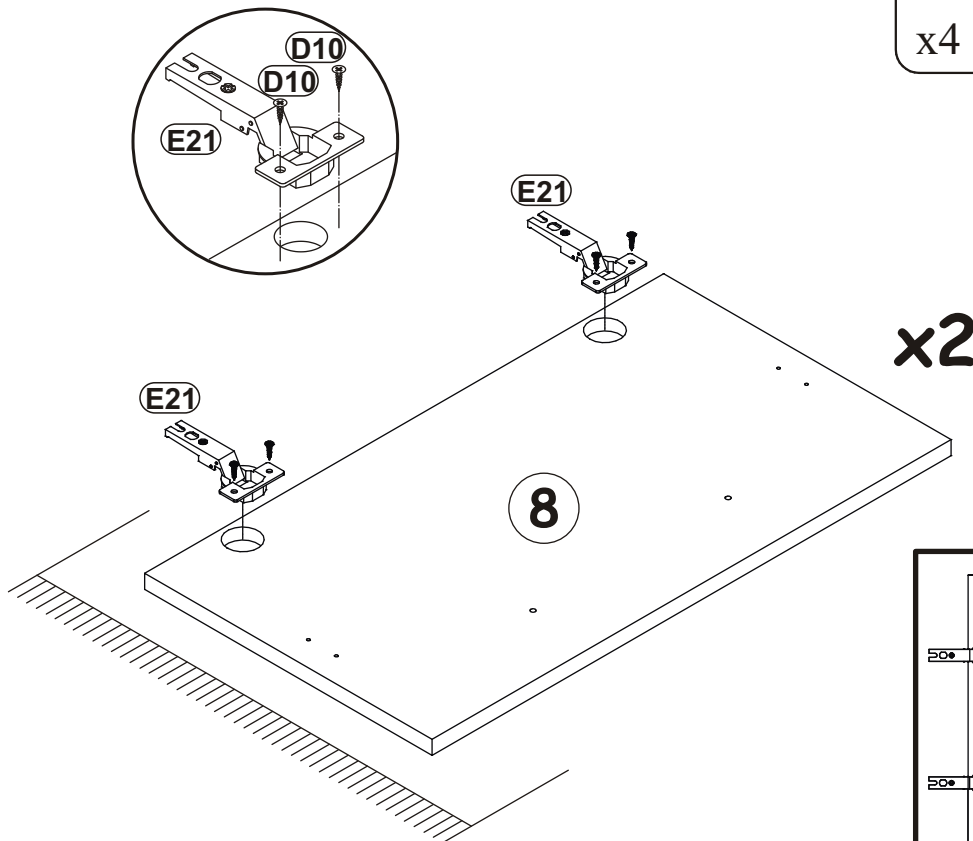
x4

Ø35

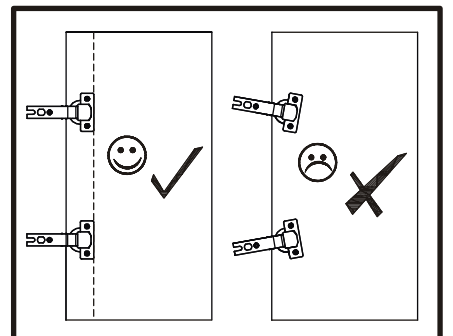


D10



x8

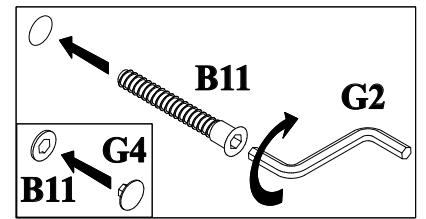
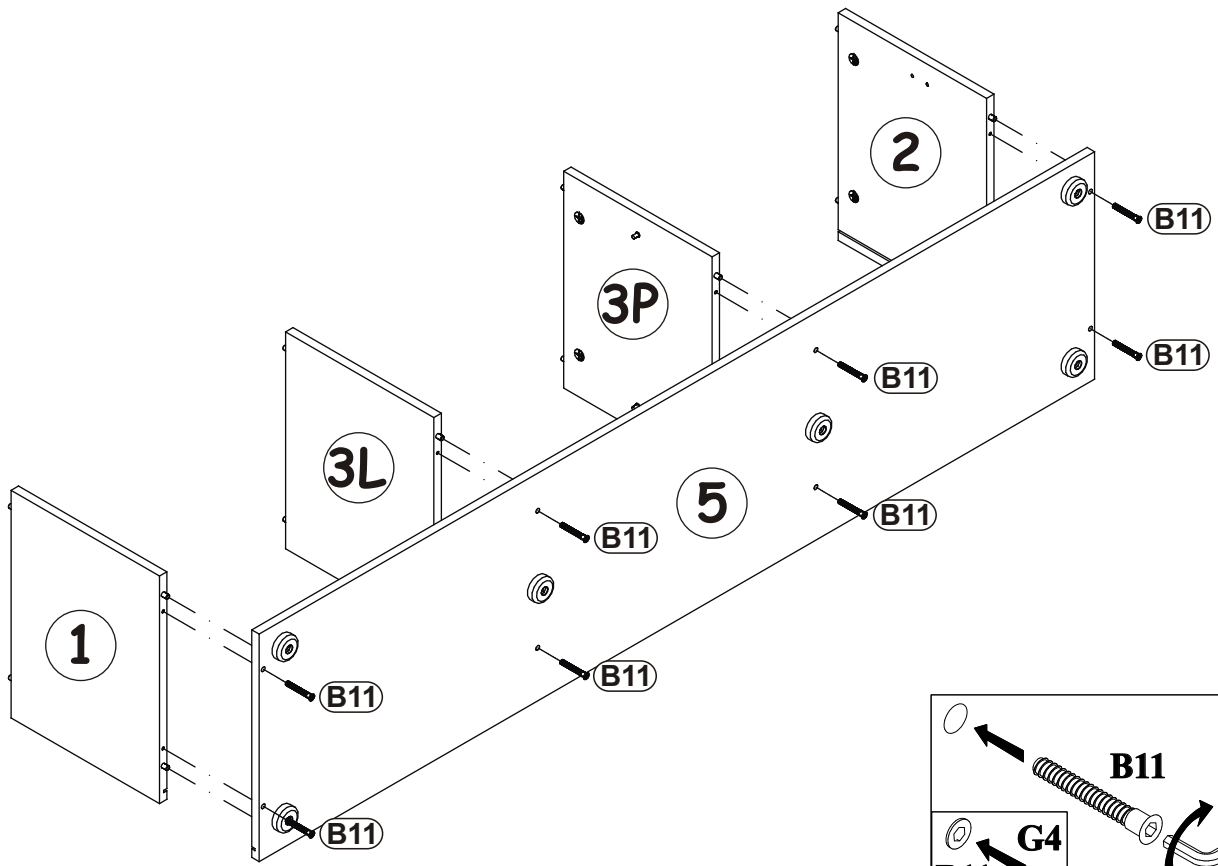


x2

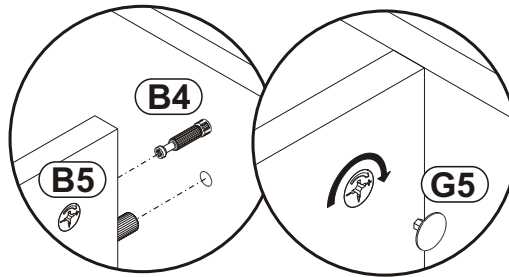



6

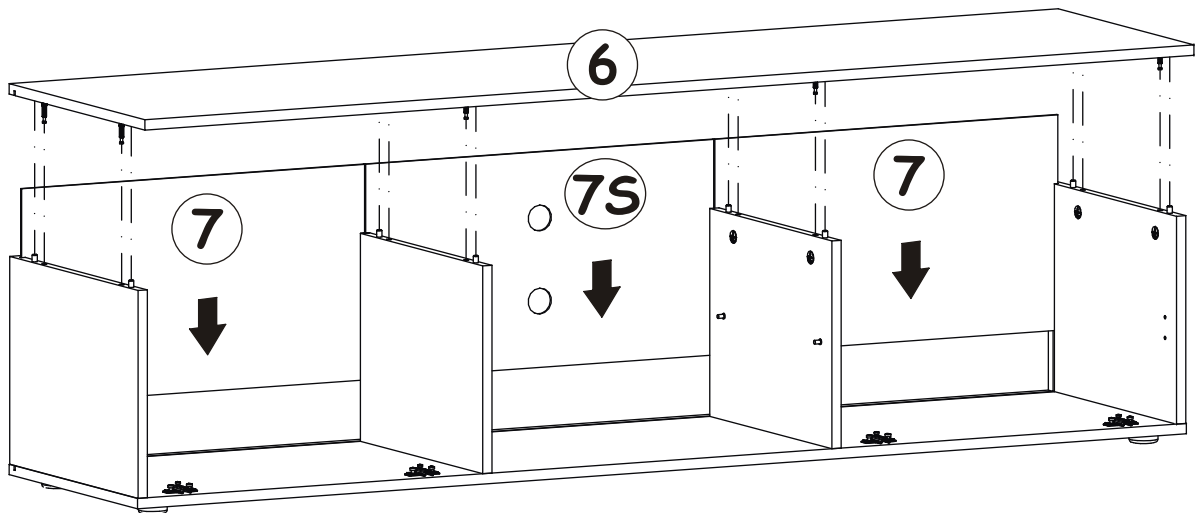
B11		G4	
x8	Ø7x50	x8	

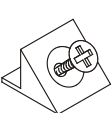
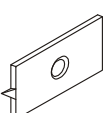
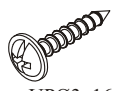


7

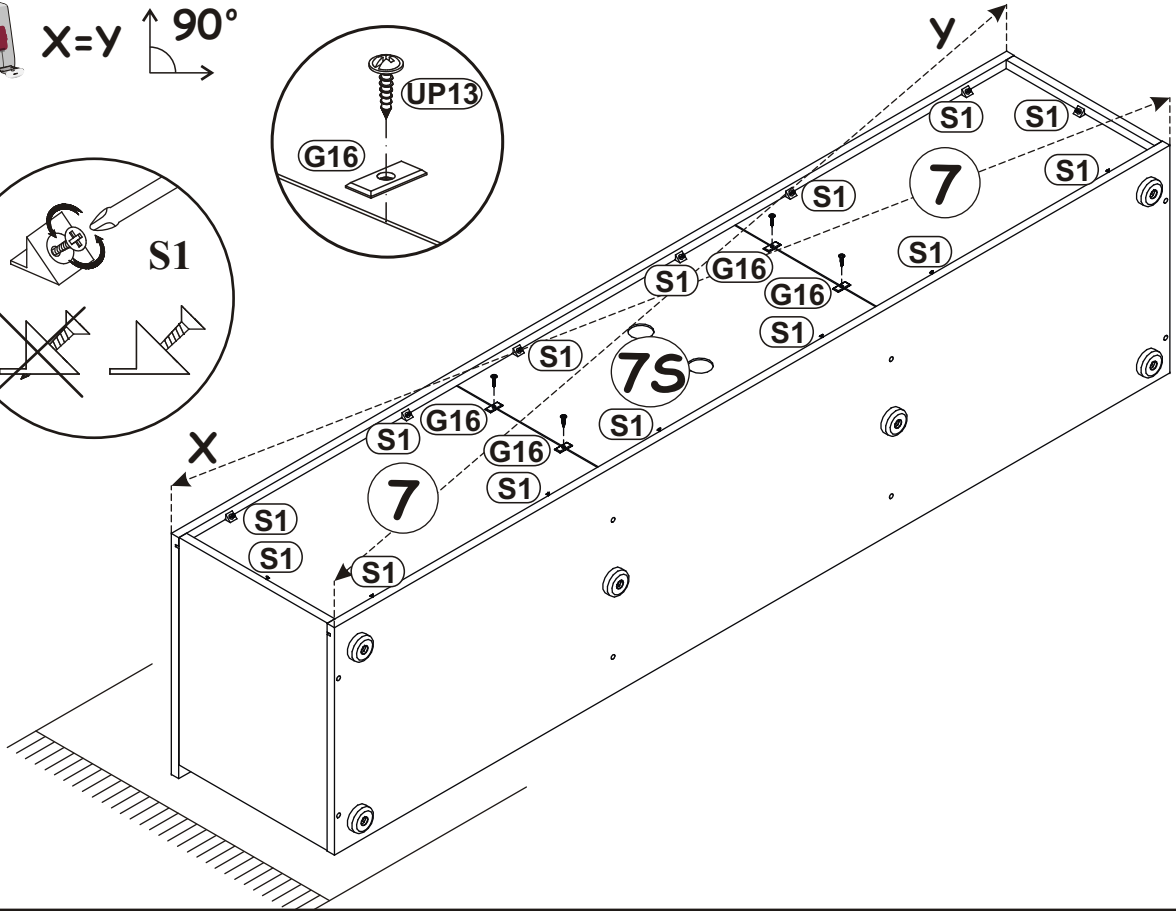
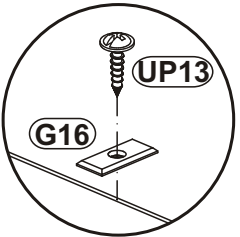
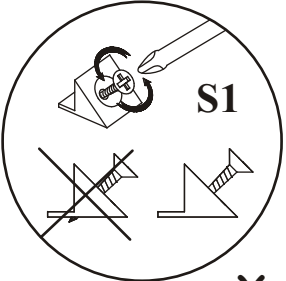


G5	
x8	




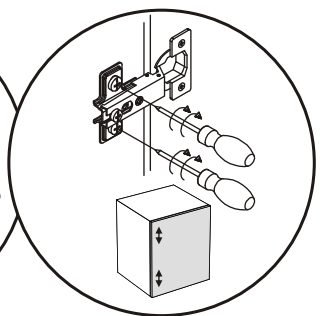
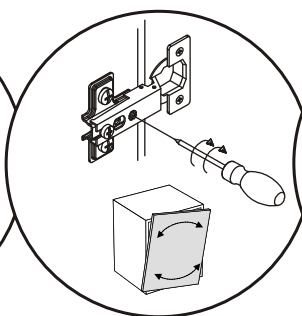
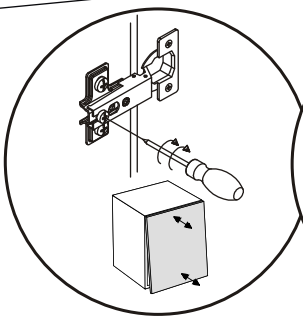
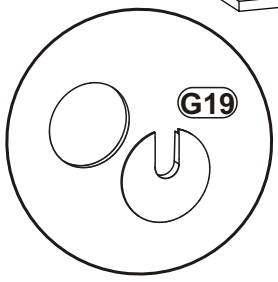
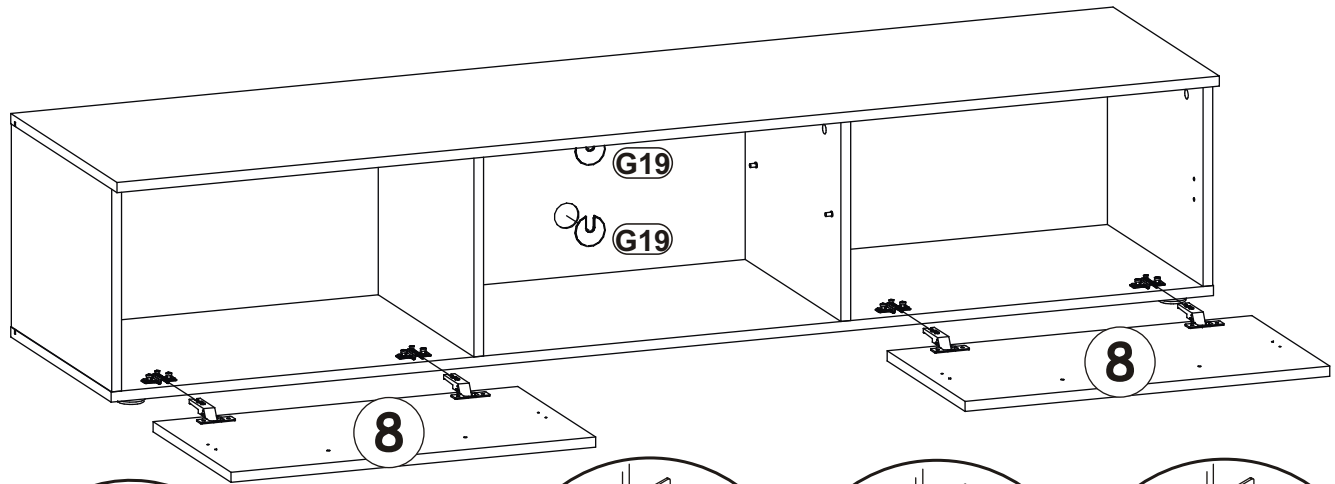
S1		G16		UP13	
x14		x4		x4	UPØ3x16

8



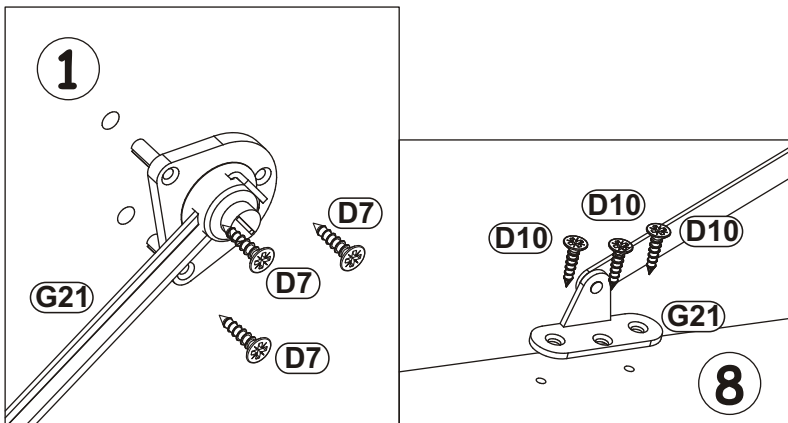
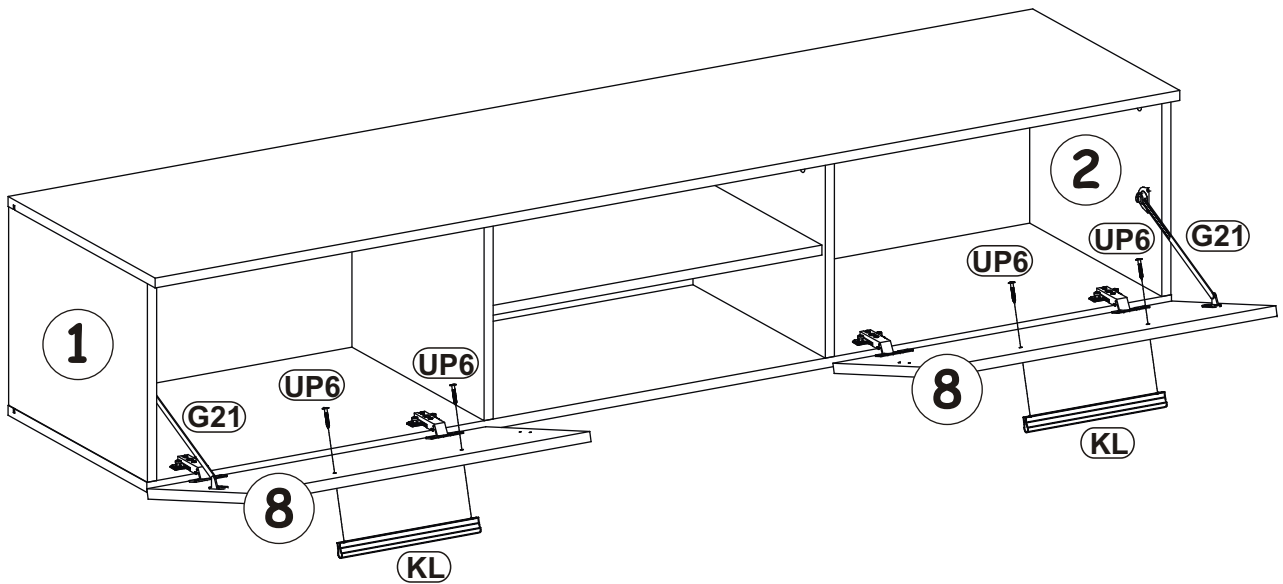
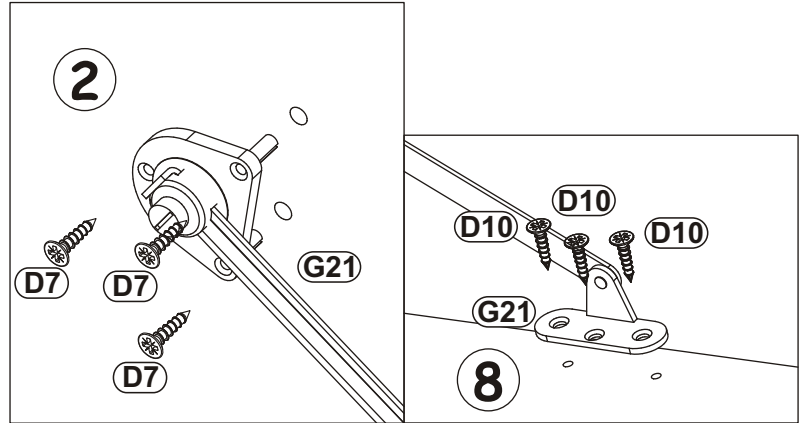
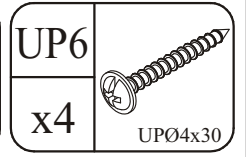
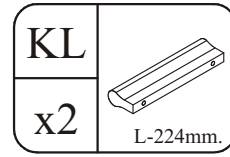
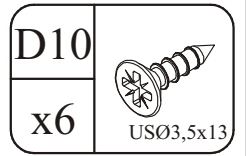
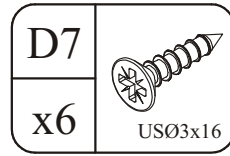
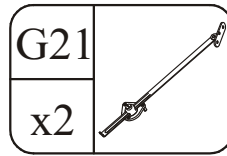
9

G19	
x2	Ø20

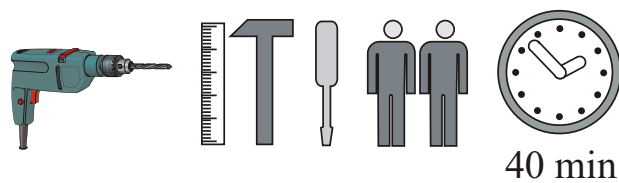
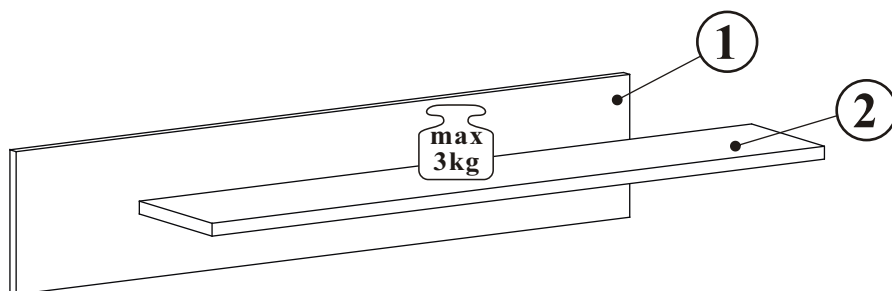
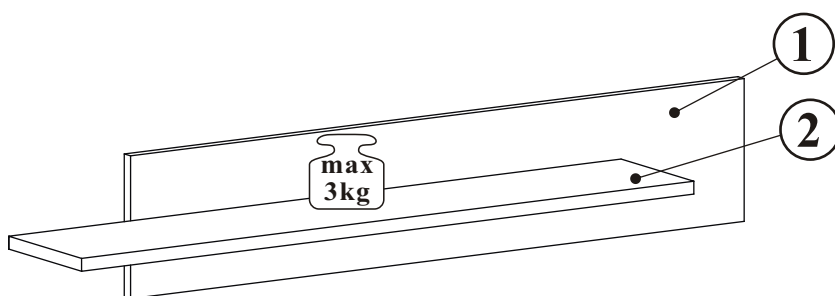
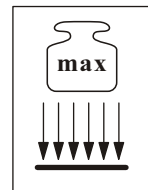
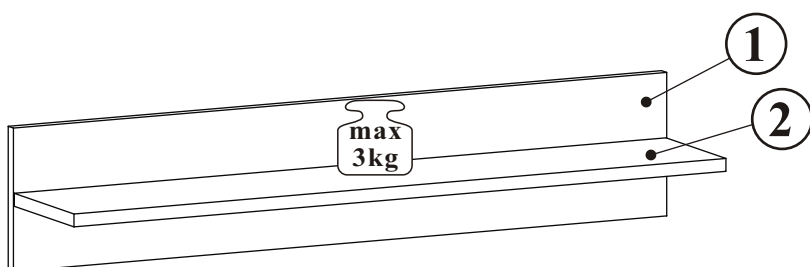




10

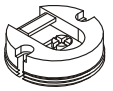







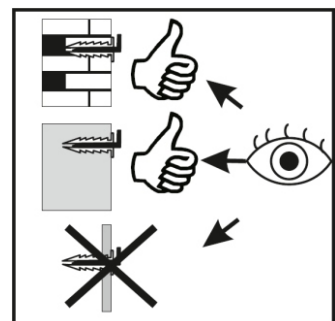
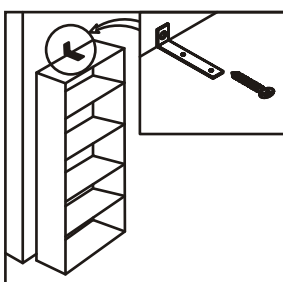
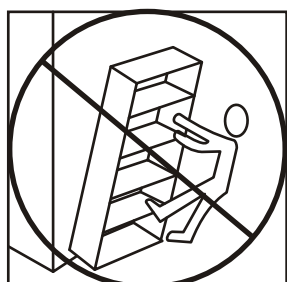
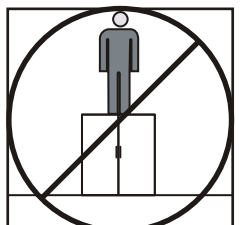
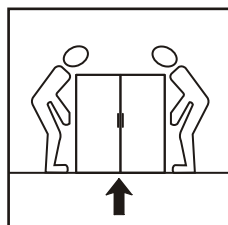
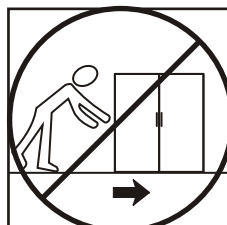
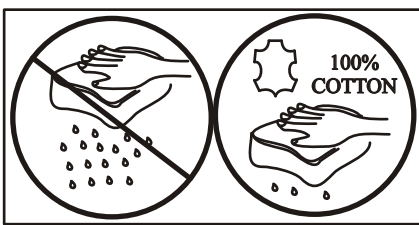
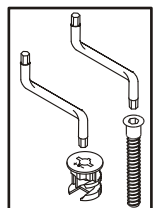
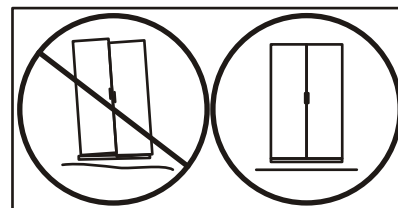
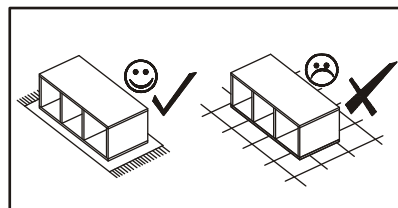
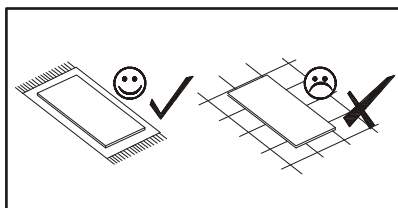
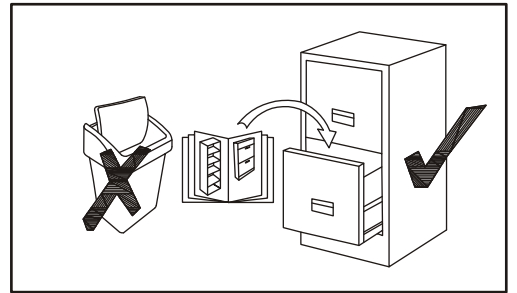
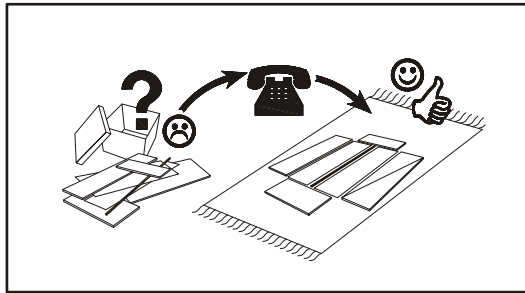
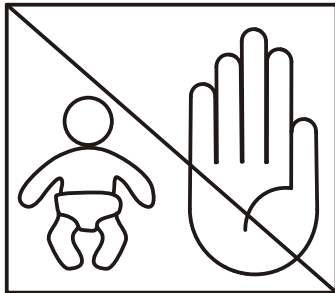
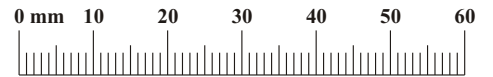
# GALINO 23\_MX



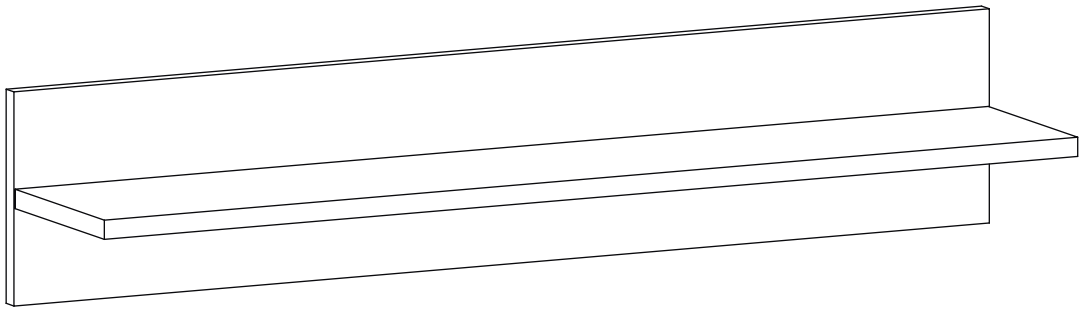
NO	Dim.		Col.-No	Qty
1	1002	200	1	2
2	1000	185	1	2

# GALINO 23\_MX

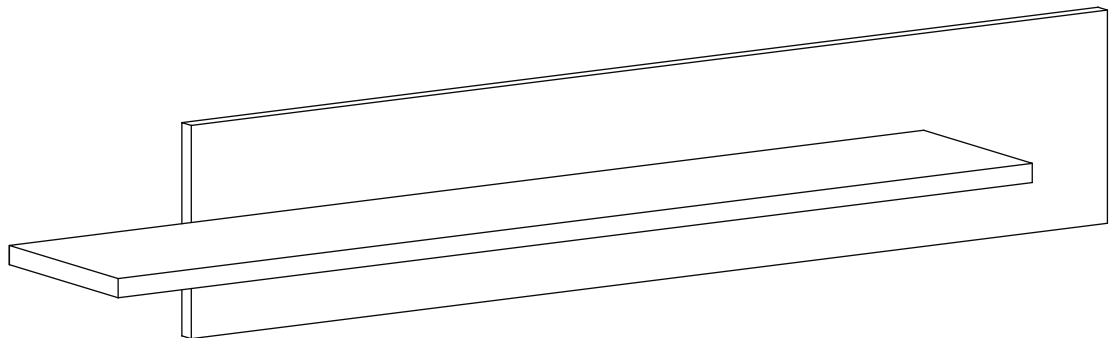
ZM1 x4		D20 x8	 ESØ6x9,5	B11 x12	 Ø7x50	G4 x12		KR2 x4		G2 x1	
-----------	---	-----------	---	------------	--	-----------	---	-----------	---	----------	---



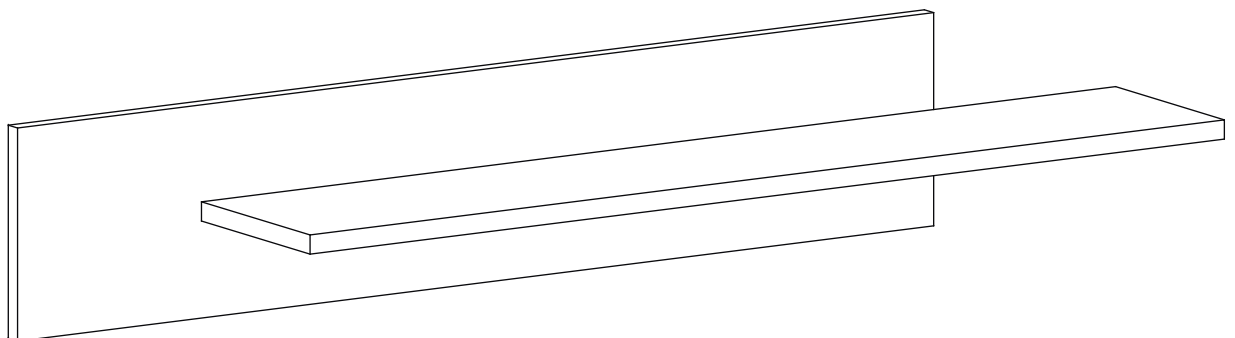
**1-3**



**4-6**

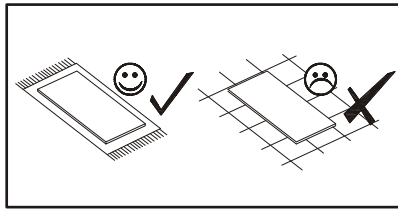


**7-9**

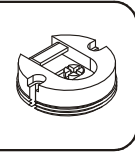


GALINO 23\_MX

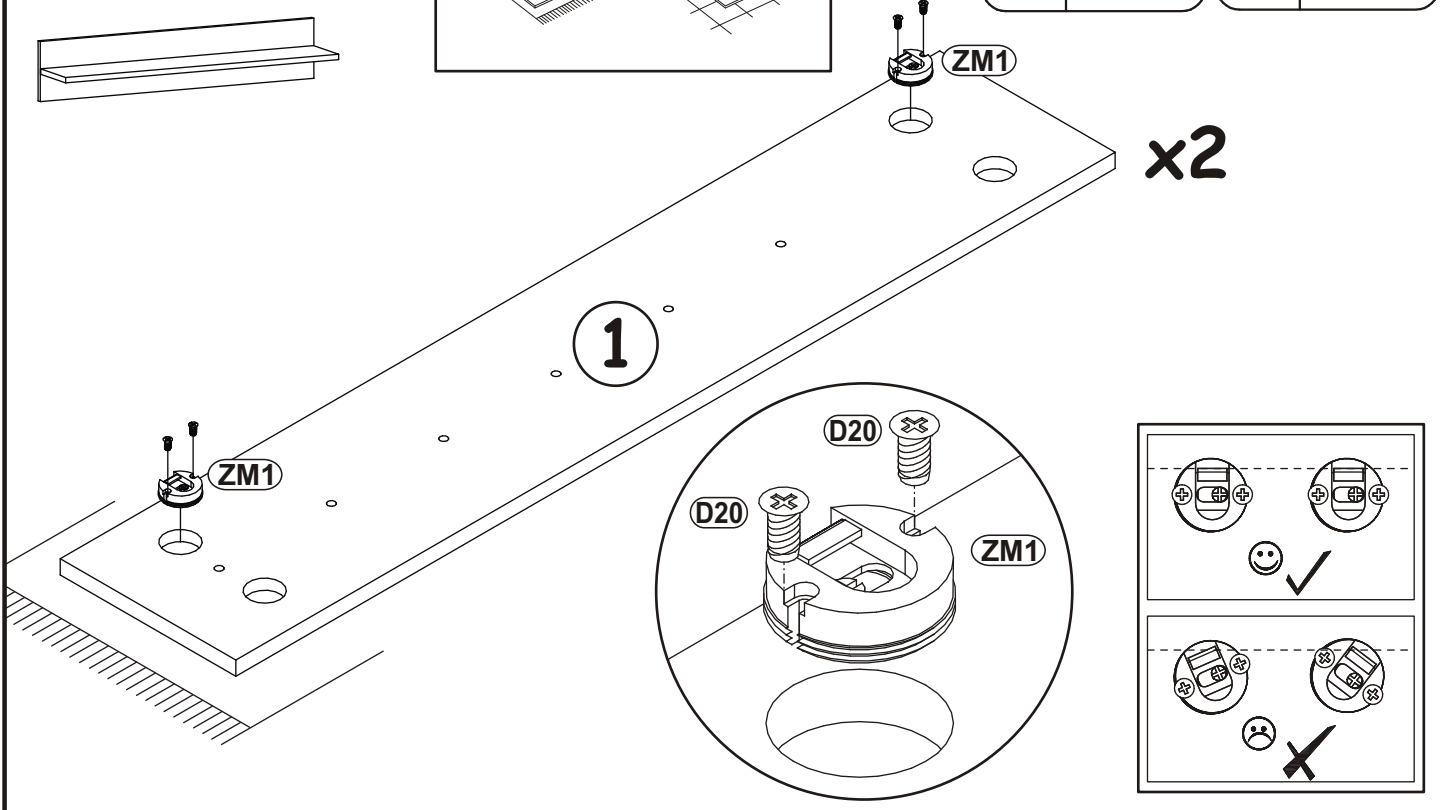
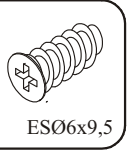
1



ZM1  
x4

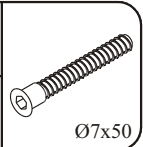


D20  
x8

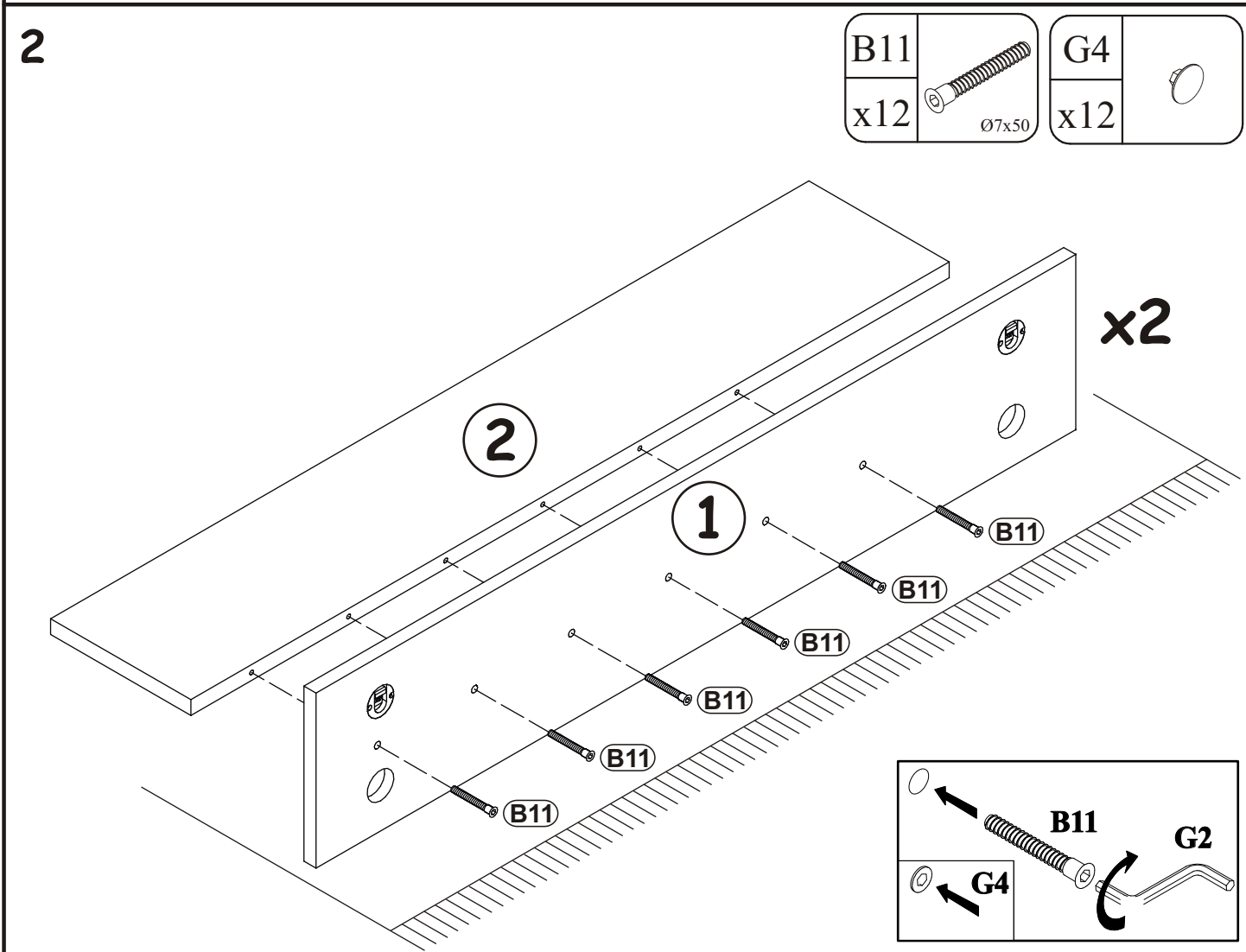
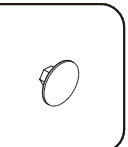


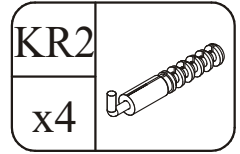
2

B11  
x12

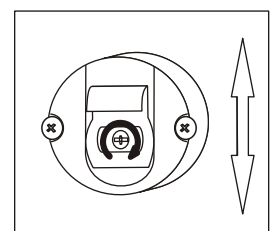
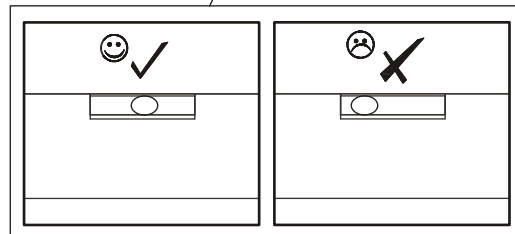
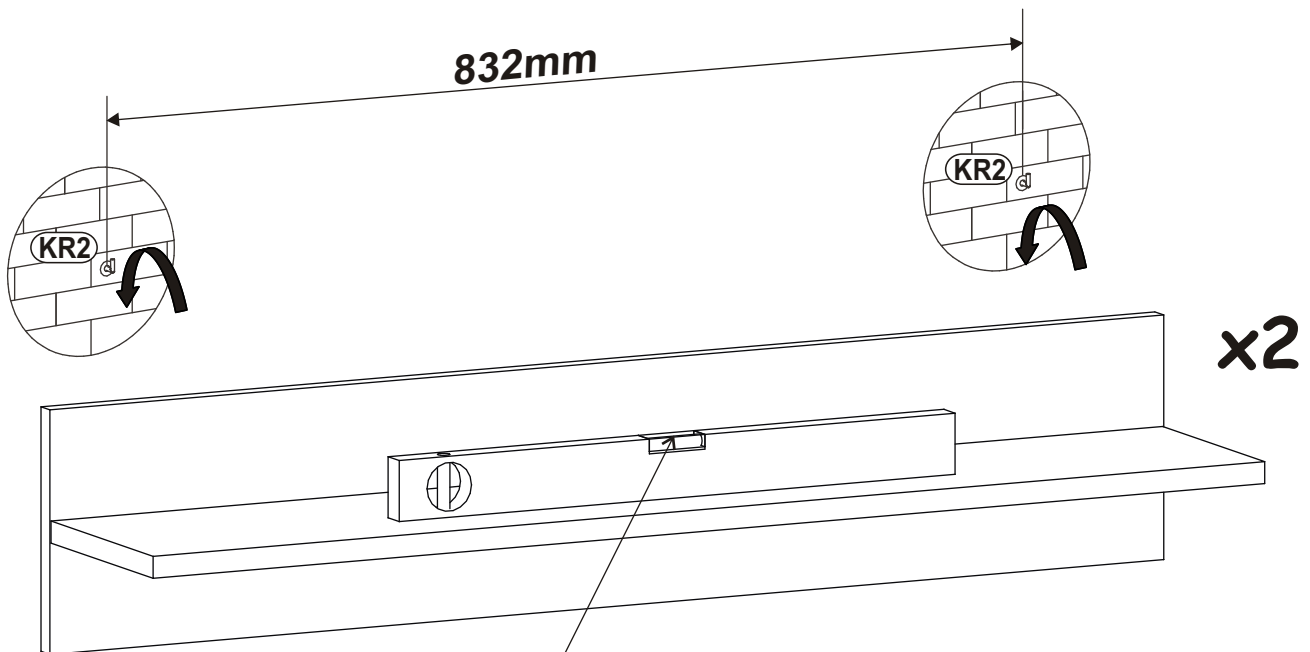
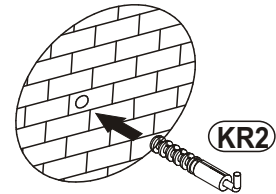
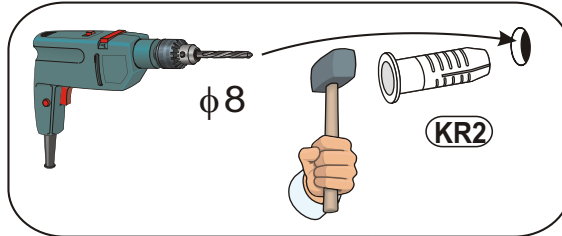
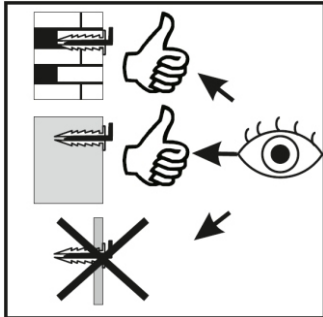


G4  
x12

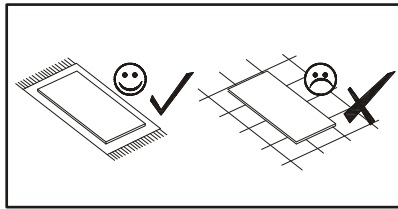




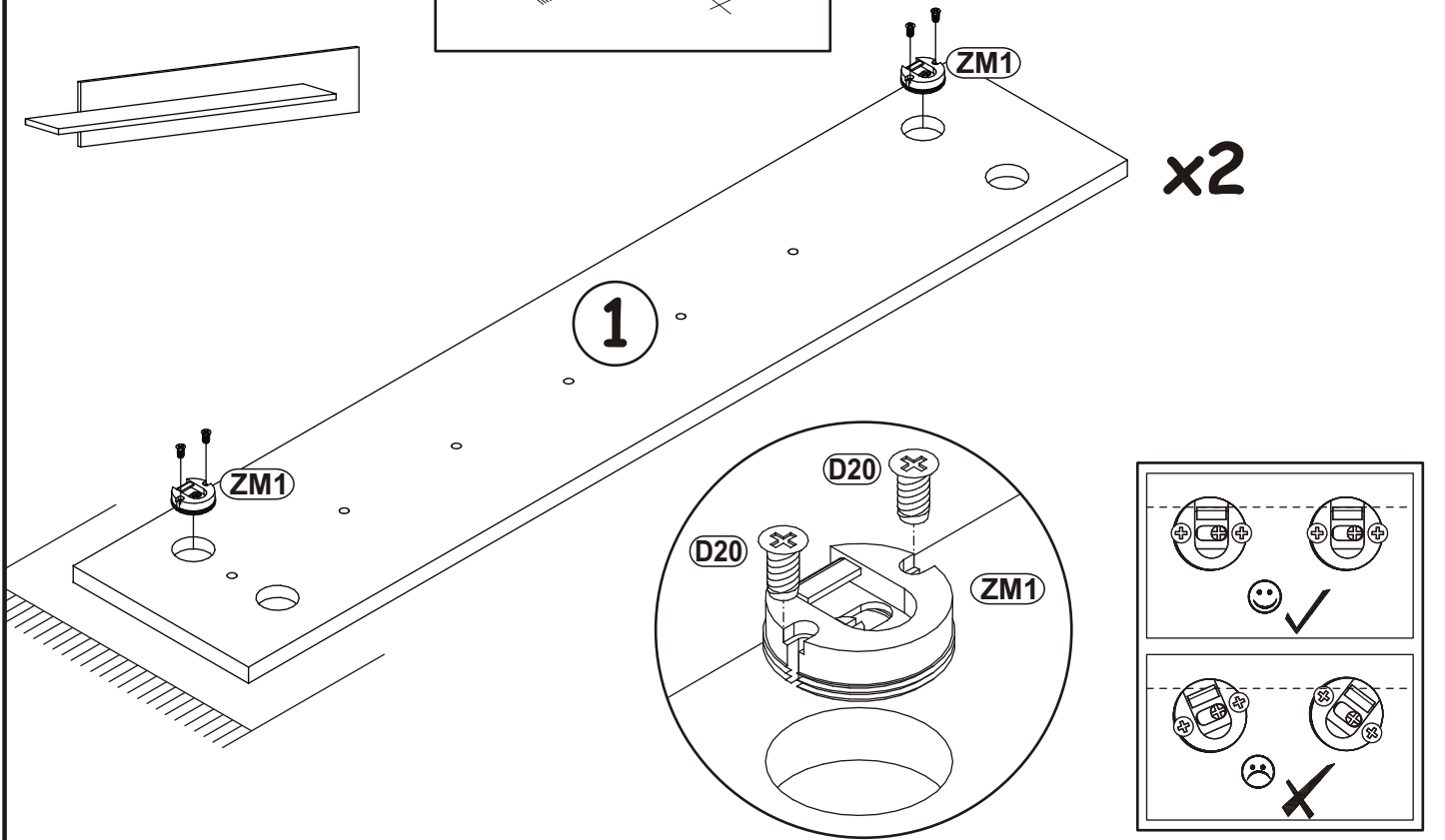
3



4

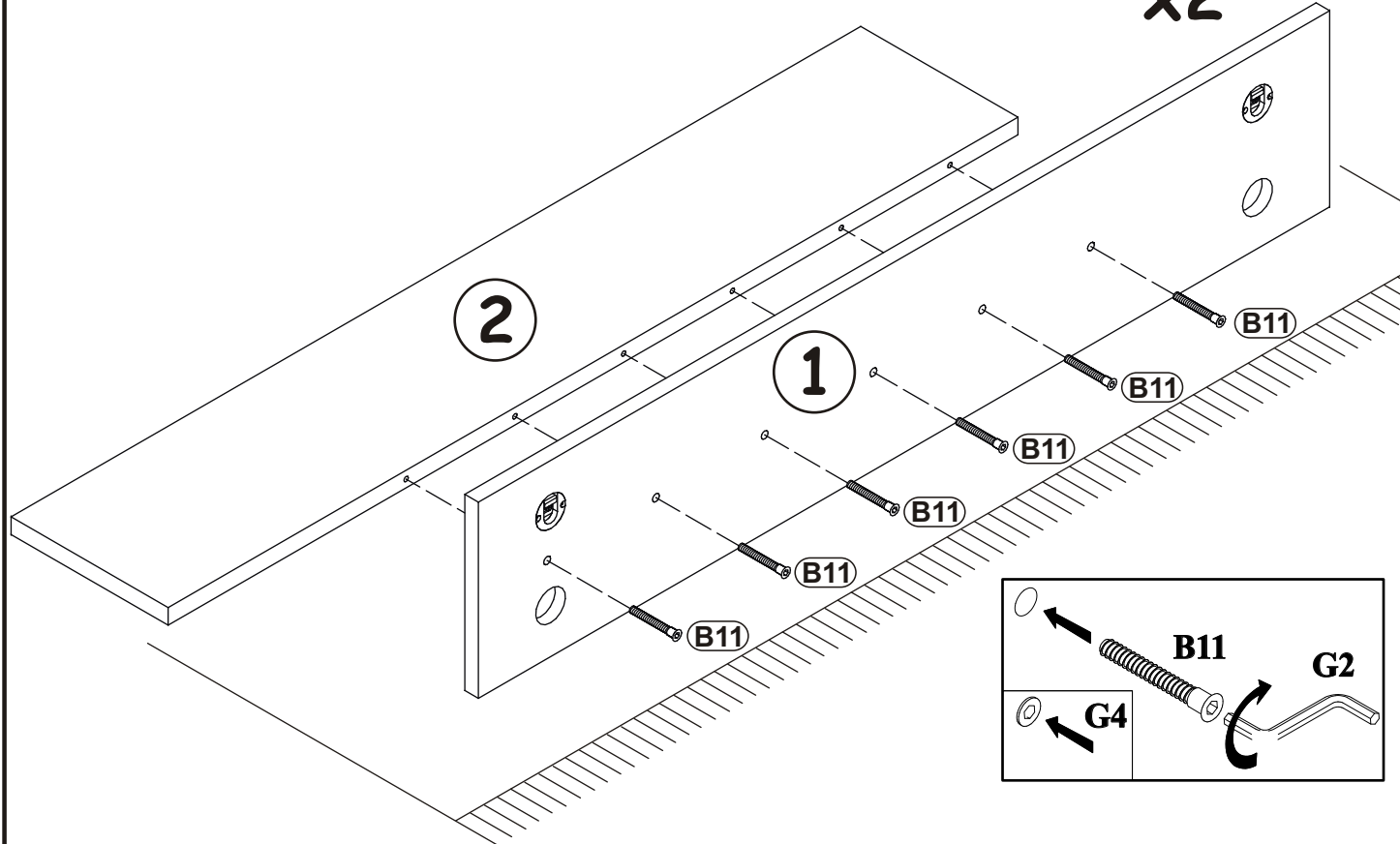


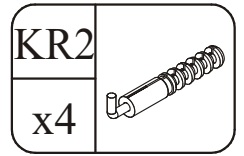
ZM1		D20	
x4		x8	ESØ6x9,5



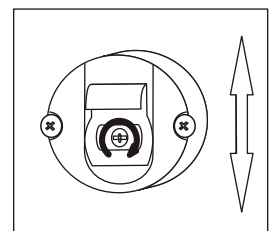
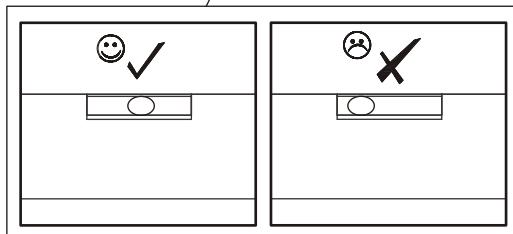
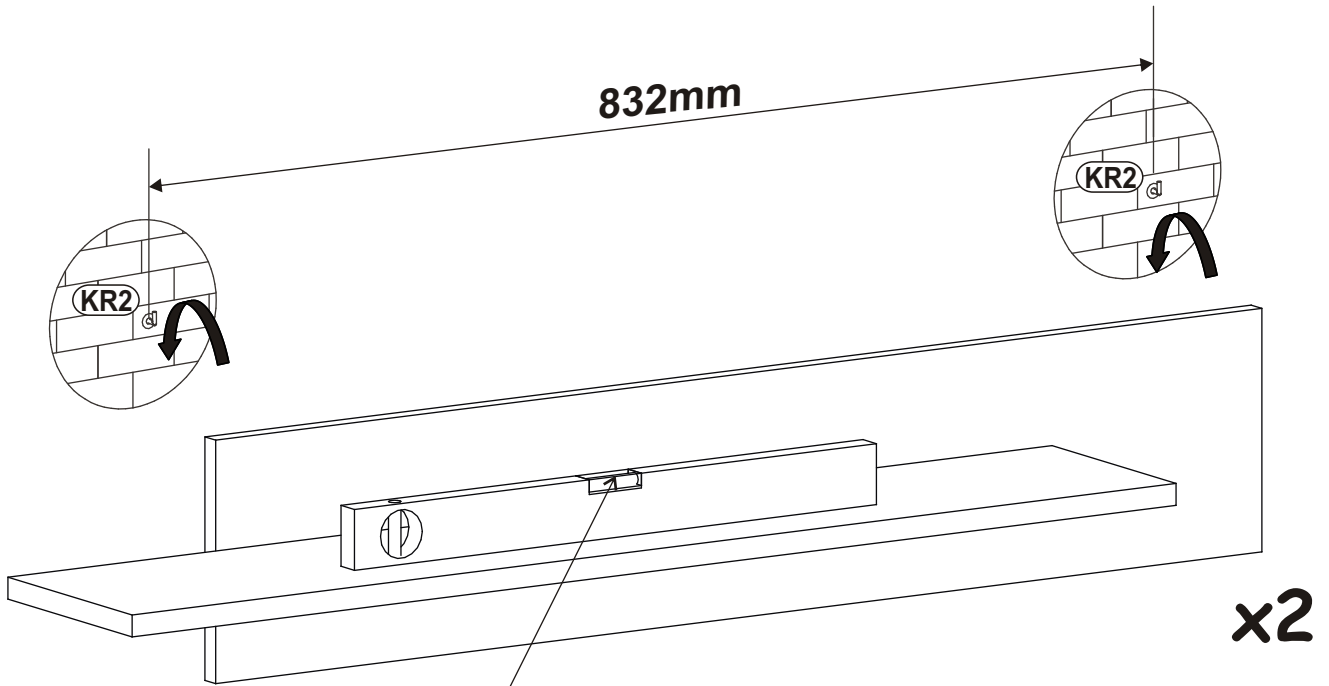
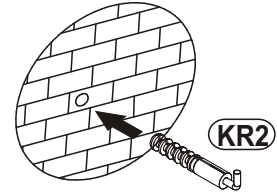
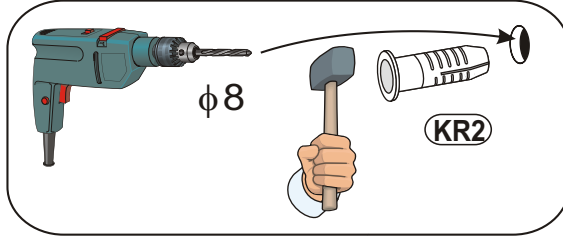
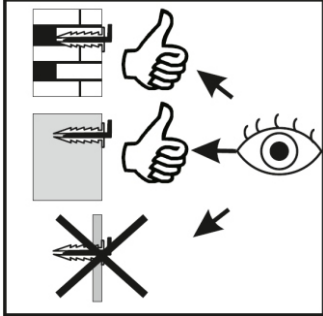
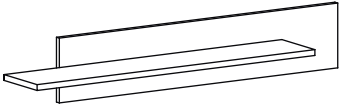
5

B11		G4	
x12	Ø7x50	x12	



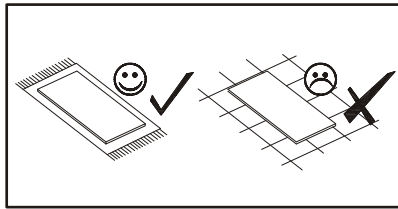


6

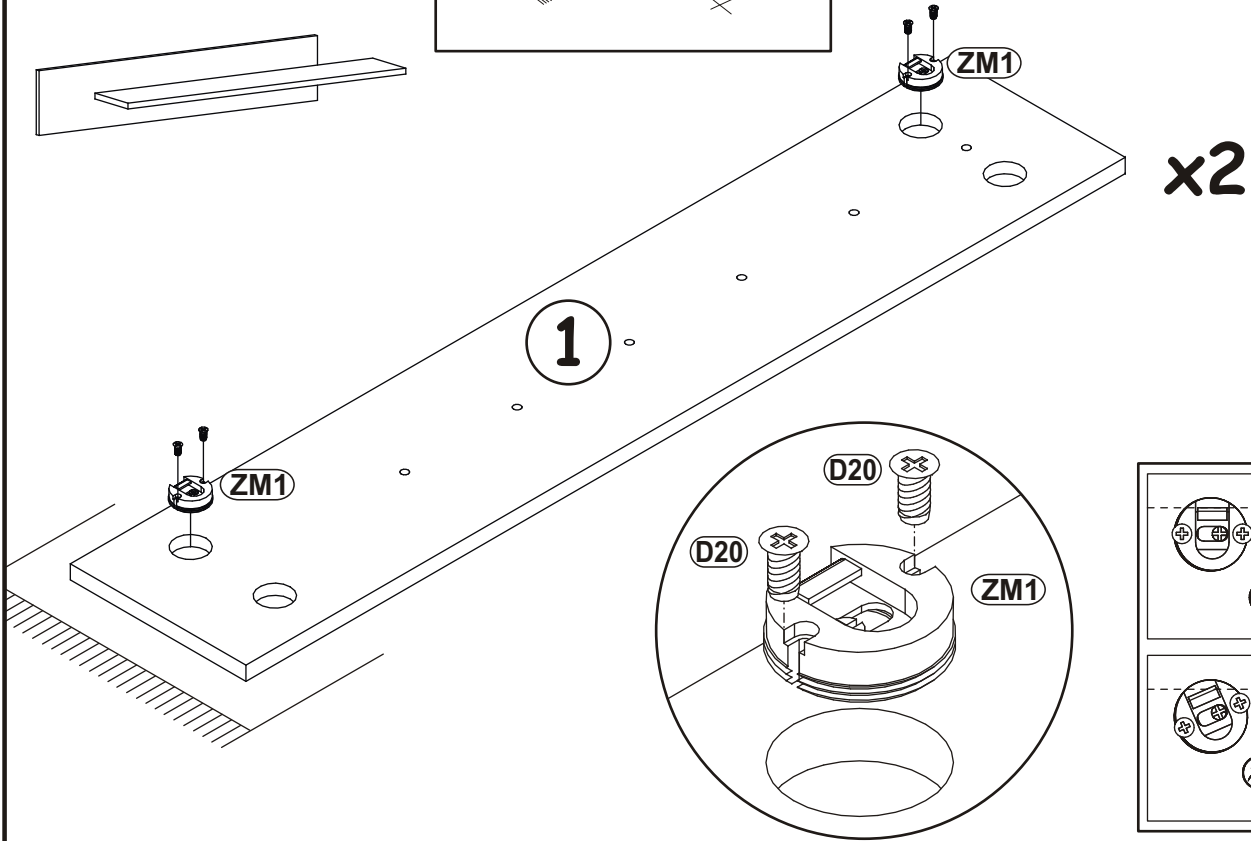




7

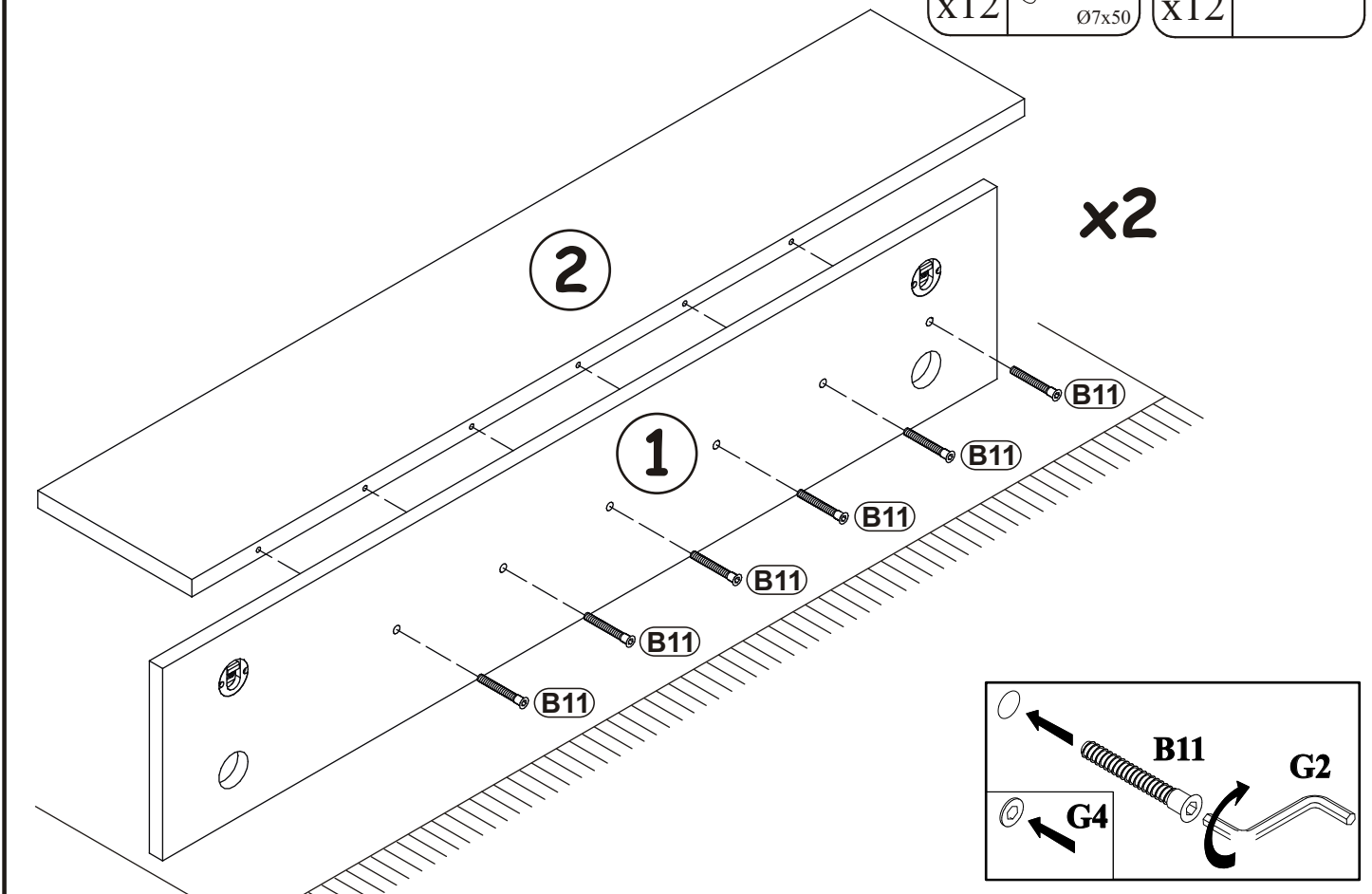


ZM1		D20	
x4		x8	ESØ6x9,5



8

B11		G4	
x12	Ø7x50	x12	



9

