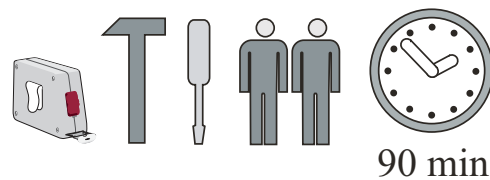
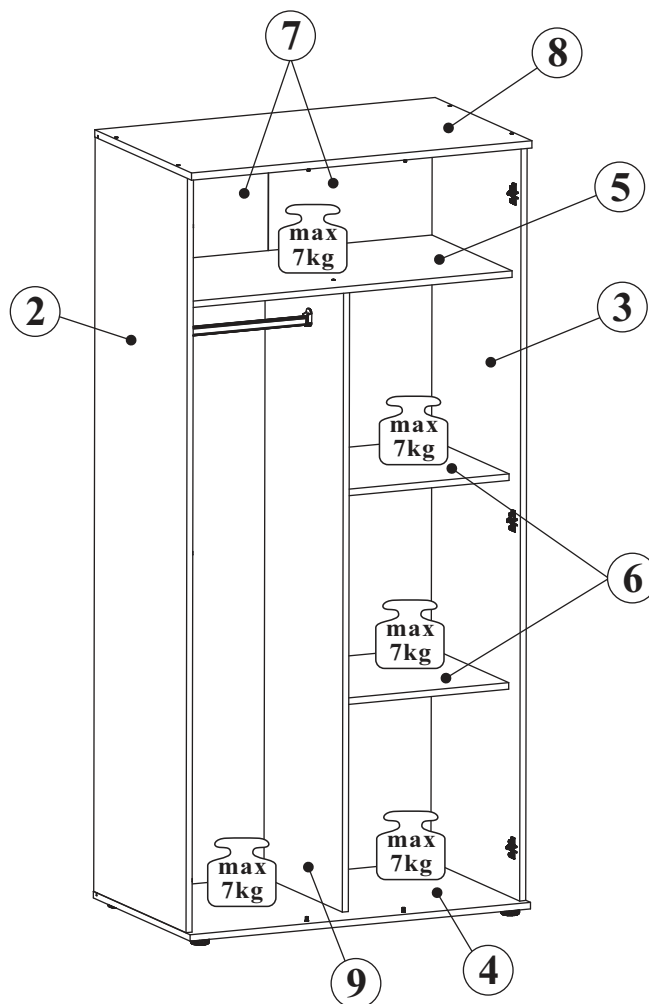
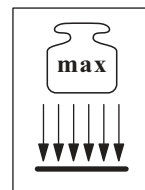
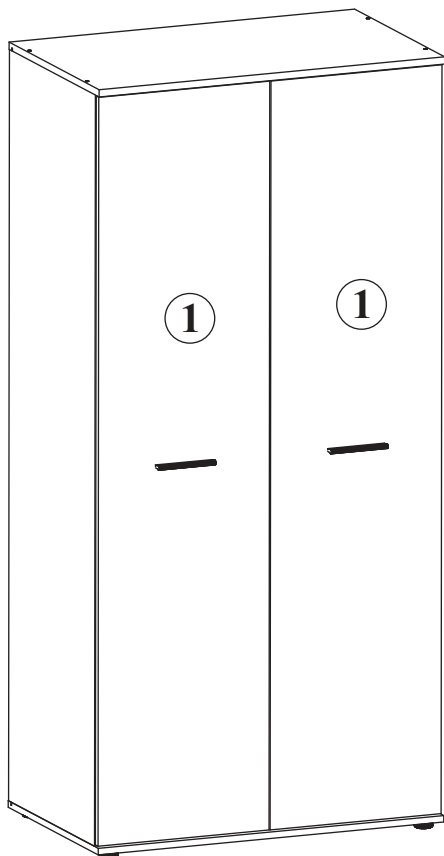
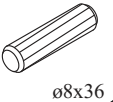
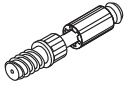

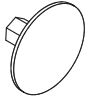


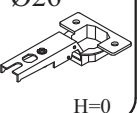
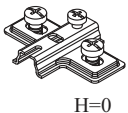

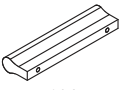

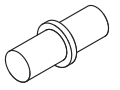
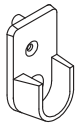
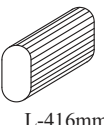
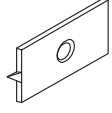

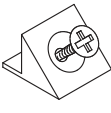



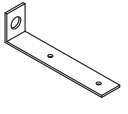
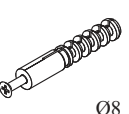
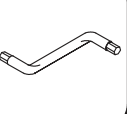


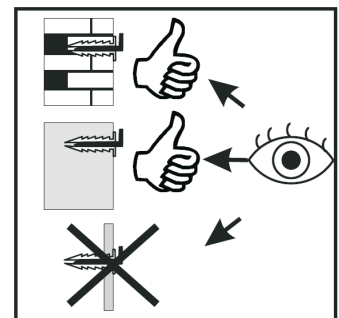
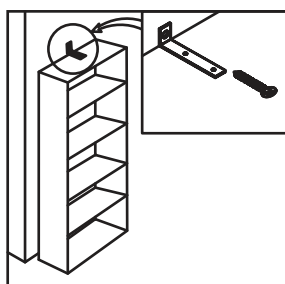
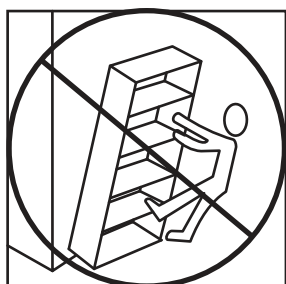
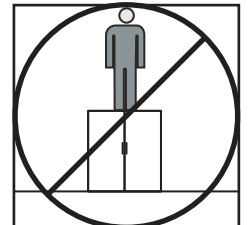
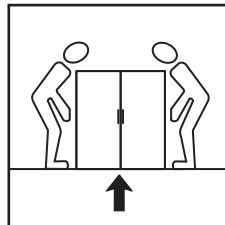
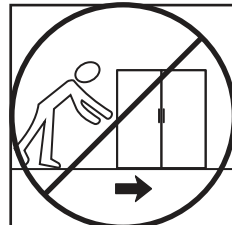
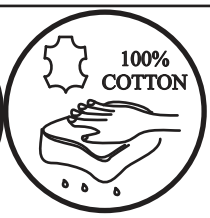
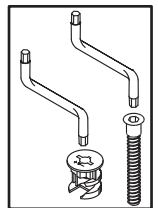
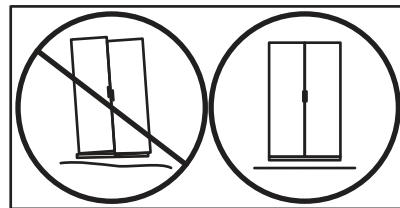
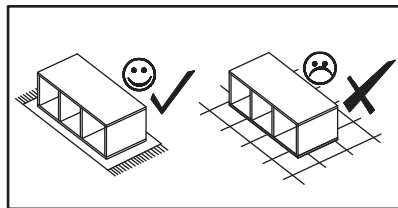
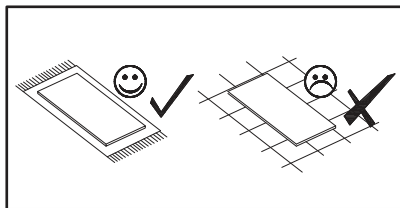
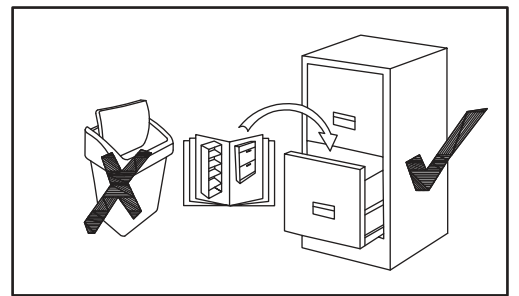
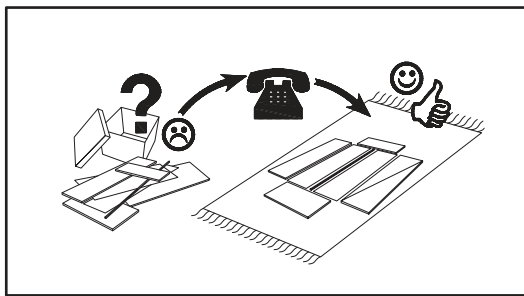
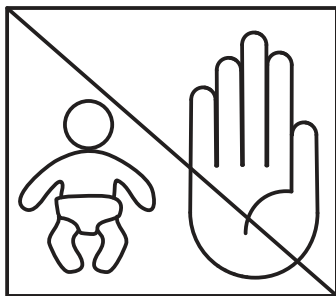
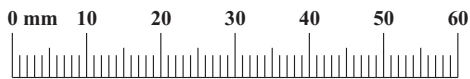
DINO TYP 3



| NO | Dim. | | | Col.-No | Qty |
|----|------|-----|----|---------|-----|
| 1 | 1844 | 446 | 16 | 1 | 2 |
| 2 | 1850 | 525 | 16 | 1 | 1 |
| 3 | 1850 | 525 | 16 | 1 | 1 |
| 4 | 901 | 550 | 18 | 2 | 1 |
| 5 | 867 | 445 | 16 | 2 | 1 |
| 6 | 425 | 440 | 16 | 2 | 2 |
| 7 | 1861 | 439 | 3 | 1 | 2 |
| 8 | 901 | 550 | 18 | 2 | 1 |
| 9 | 1520 | 445 | 16 | 1 | 1 |

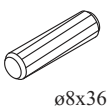
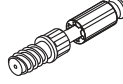
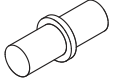
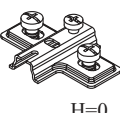
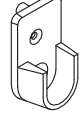

DINO TYP 3

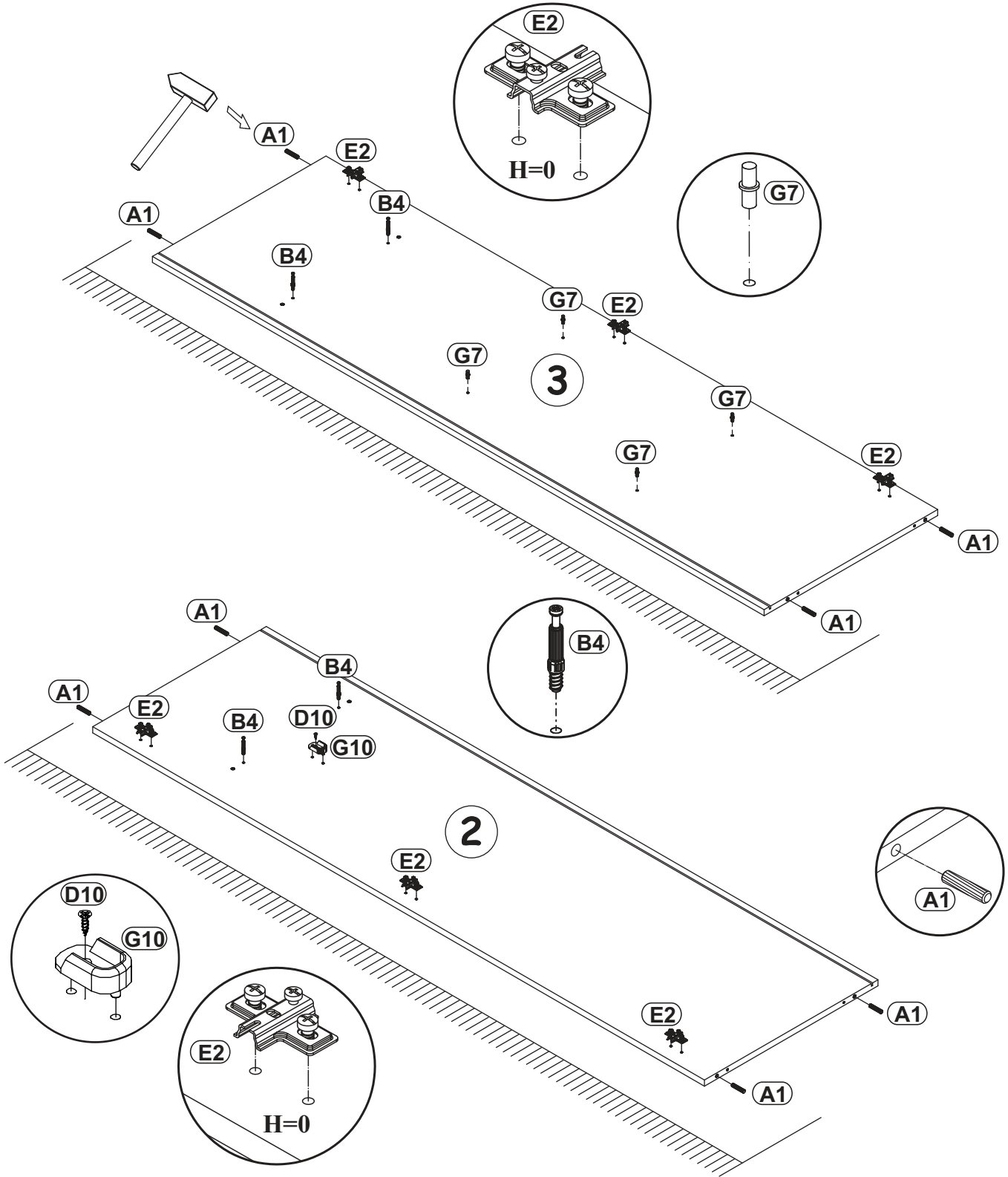
| | | | | | |
|---|---|--|--|---|--|
| A1 x16  ø8x36 | B4 x4  | B5 x4  Ø15x12 | G5 x4  | B11 x12  Ø7x50 | G4 x12  |
| E1 x6 Ø26 H=0  | E2 x6 H=0  | D10 x16 USØ3,5x13  | KL x2 L-128mm.  | UP6 x4 UPØ4x30  | G7 x12  |
| G10 x2  | C5 x1 L-416mm  | G16 x11  | D9 x11 USØ3x20  | S1 x14  | B3 x6 Ø1,4x25  |
| I11 x5 Ø45, h=15  | D11 x5 USØ3,5x25  | L1 x1  | KR1 x1 Ø8  | G2 x1  | |



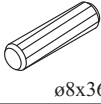
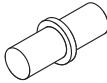
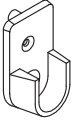

DINO TYP 3

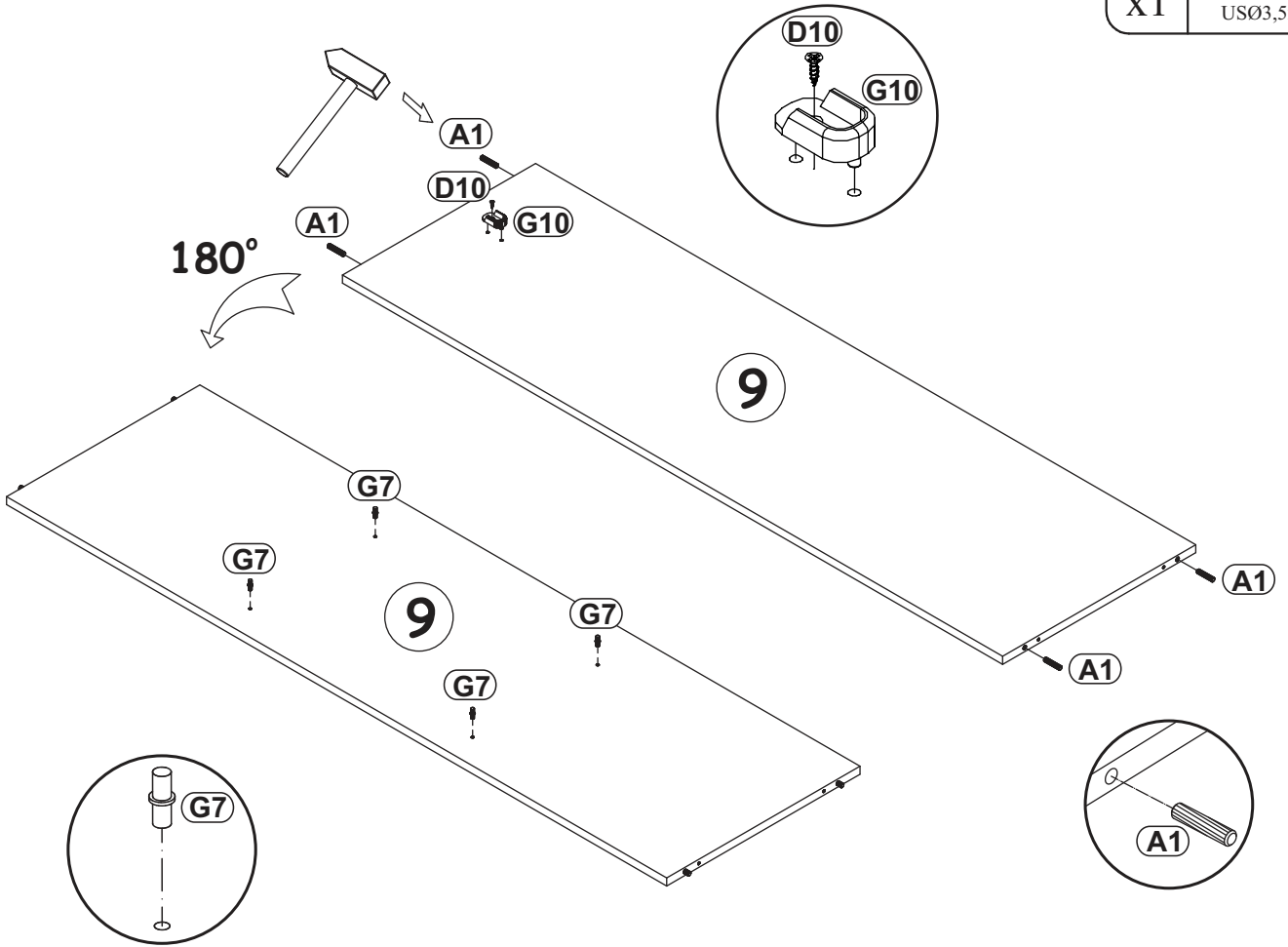
1

| | | | | | |
|----|--|-----|---|-----|---|
| A1 |  | B4 |  | G7 |  |
| x8 | ø8x36 | x4 | | x4 | |
| E2 |  | G10 |  | D10 |  |
| x6 | H=0 | x1 | | x1 | US03,5x13 |

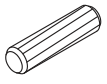



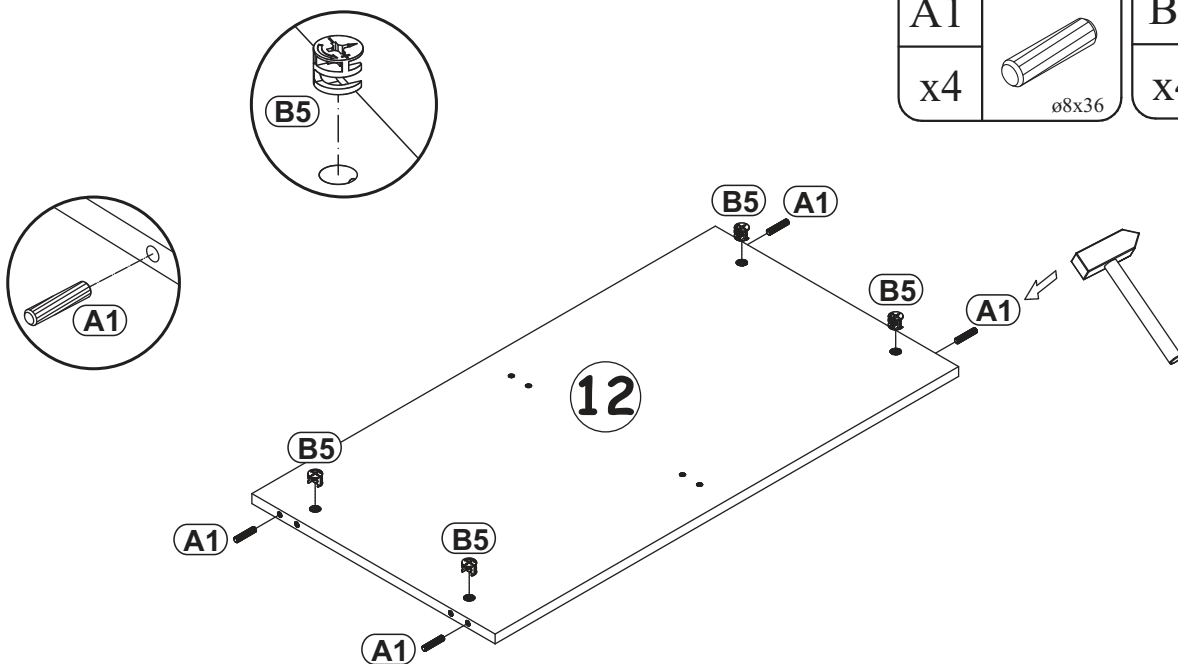
2

| | | | | | |
|----|--|----|---|-----|---|
| A1 |  | G7 |  | G10 |  |
| x4 | ø8x36 | x4 | | x1 | |
| | | | | | D10 |
| | | | | | x1 |
| | | | | |  |
| | | | | | US03,5x13 |





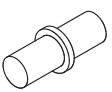
3

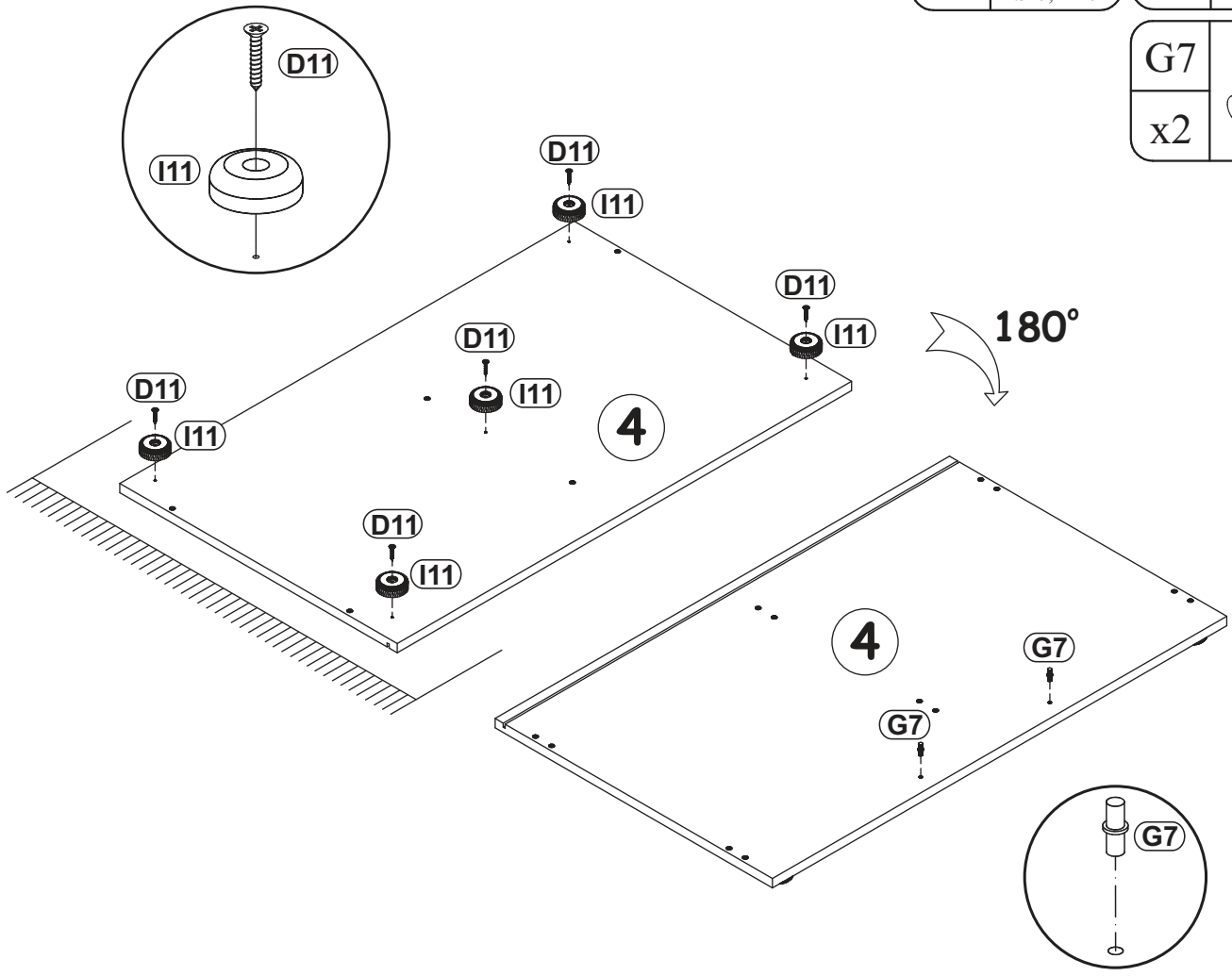
| | | | |
|----|---|----|---|
| A1 |  | B5 |  |
| x4 | ø8x36 | x4 | Ø15x12 |



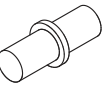
DINO TYP 3

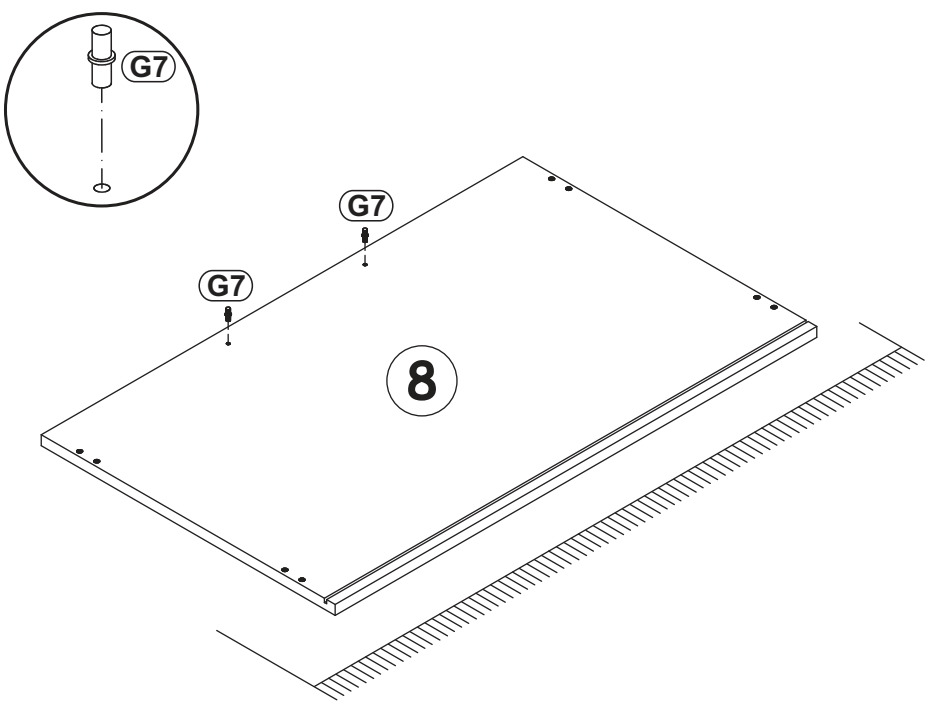
4

| | | | |
|-----|---|-----|---|
| I11 |  | D11 |  |
| x5 | Ø45, h=15 | x5 | US03,5x25 |
| G7 |  | | |
| x2 | | | |



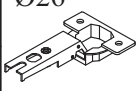
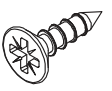
5

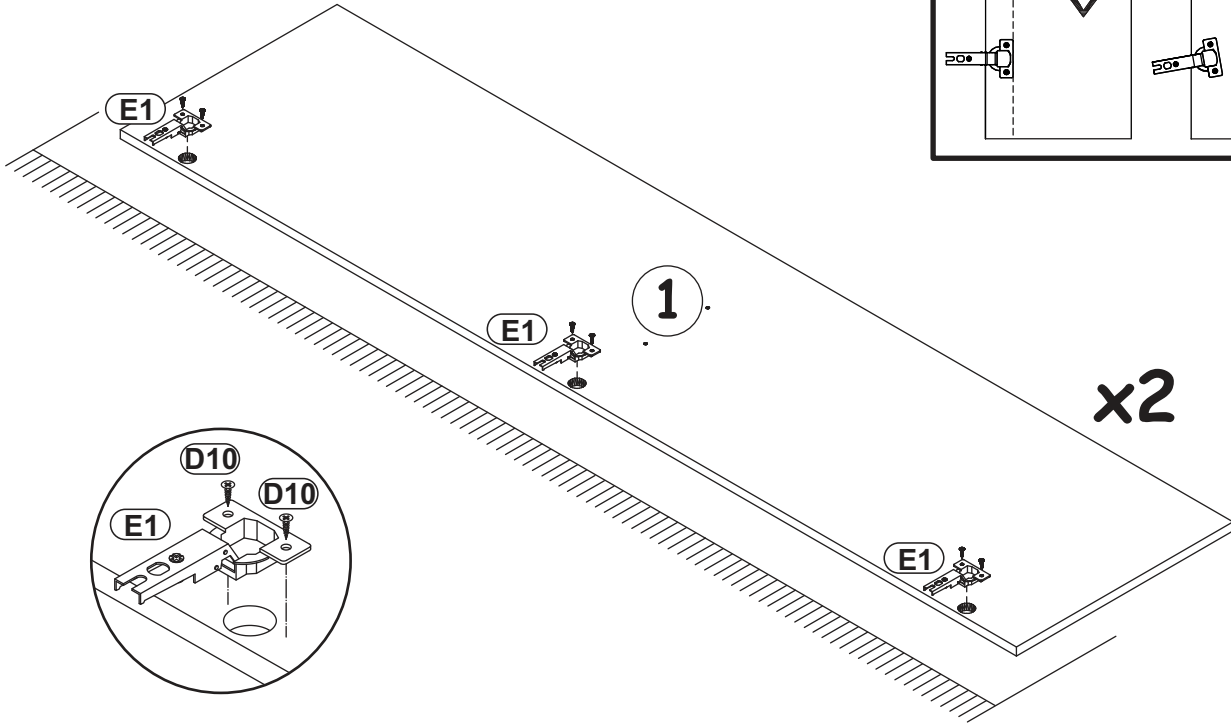
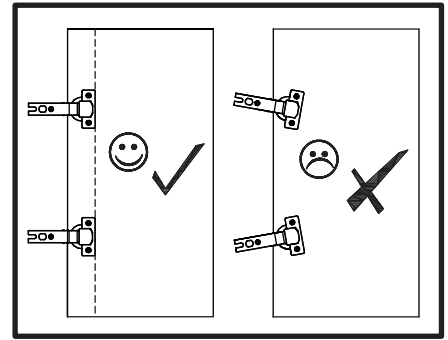
| | |
|----|---|
| G7 |  |
| x2 | |





DINO TYP 3

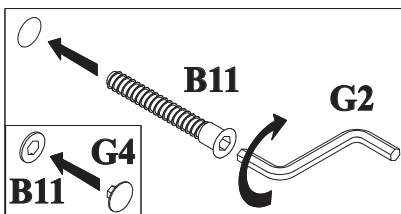
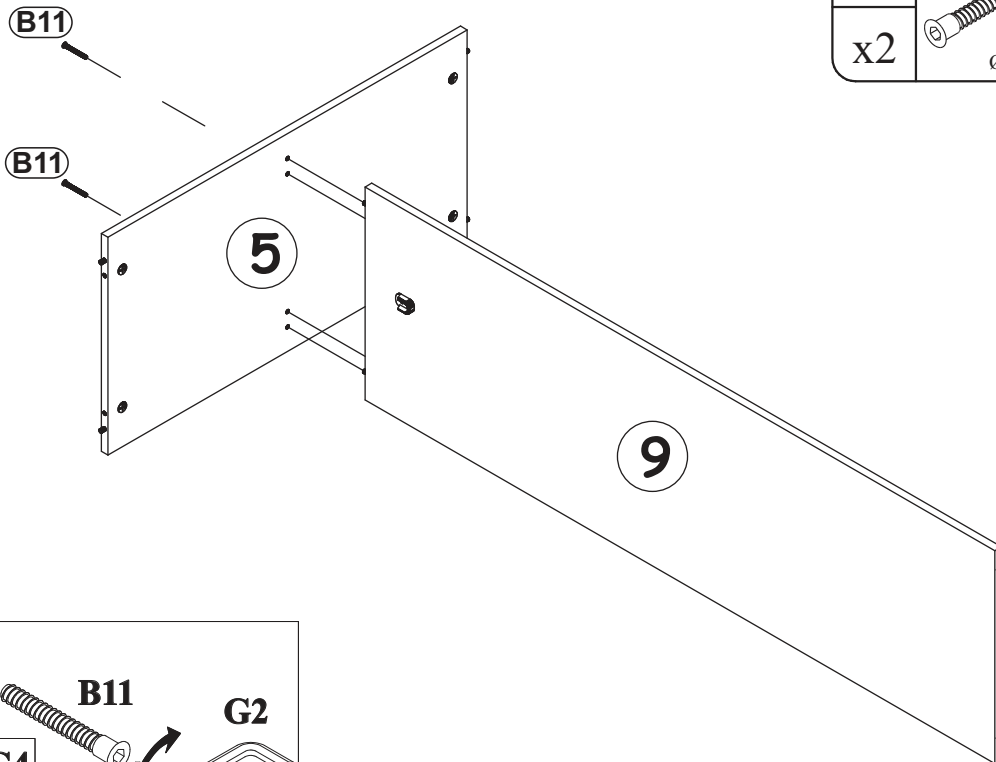
6

| | | | |
|----|--|-----|---|
| E1 | Ø26  | D10 |  |
| x6 | H=0 | x12 | USØ3,5x13 |



7

| | | | |
|-----|---|----|---|
| B11 |  | G4 |  |
| x2 | Ø7x50 | x2 | |

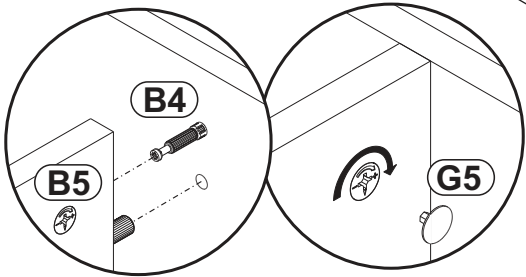
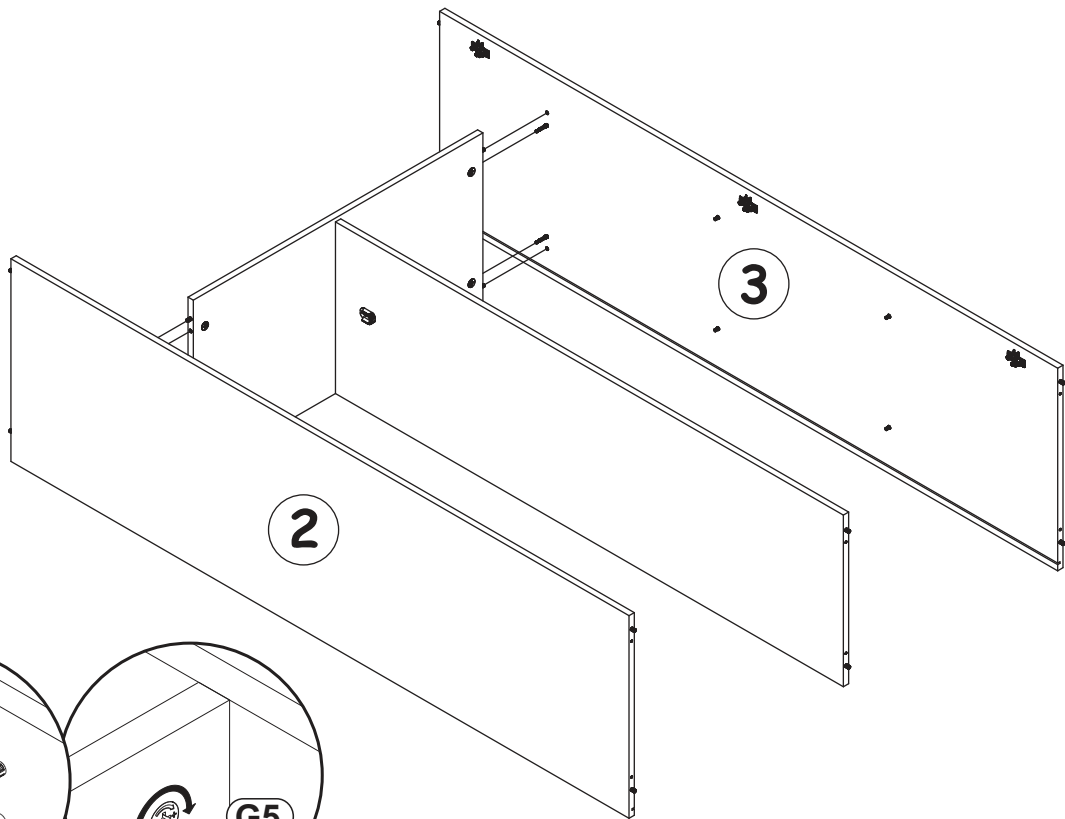


G5

x4



8



9

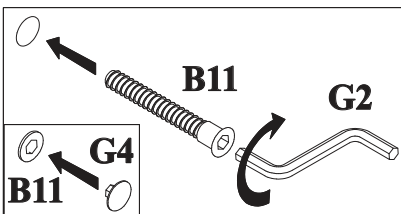
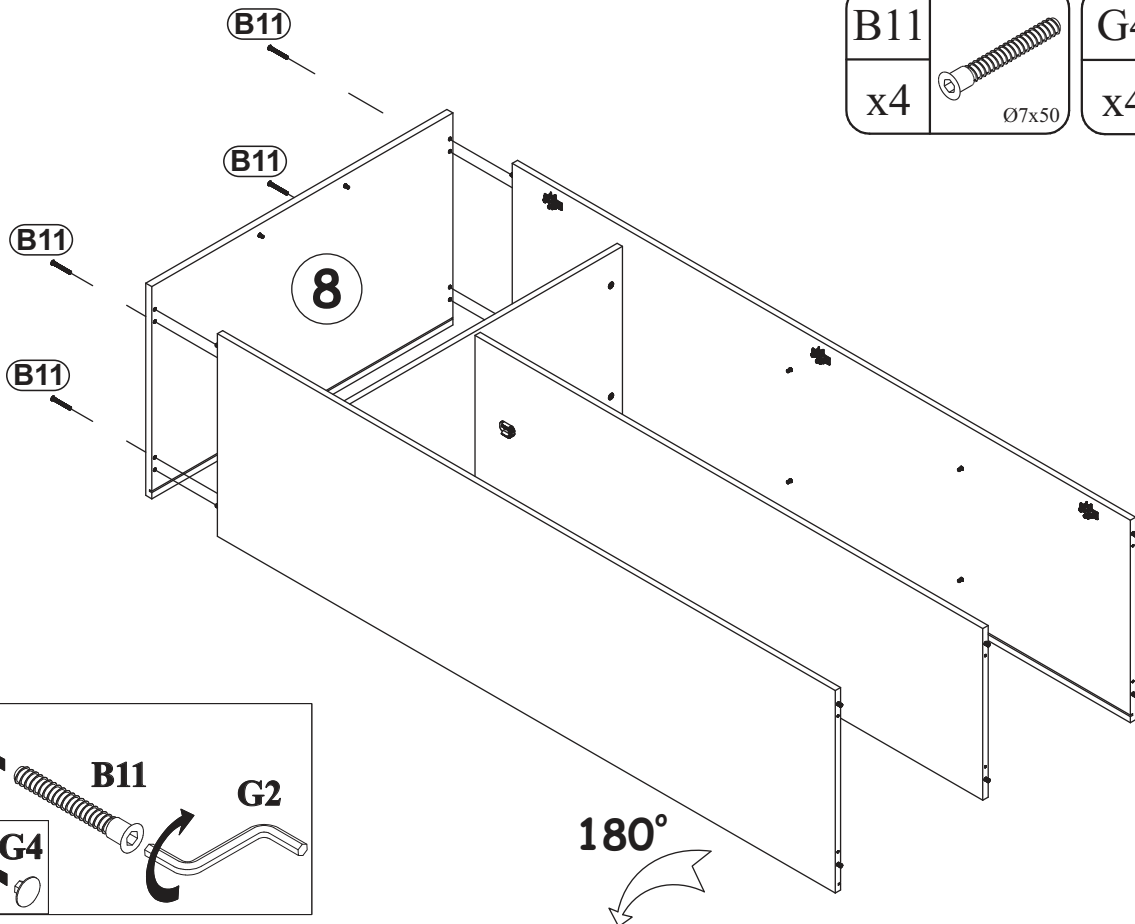
B11

x4





G4

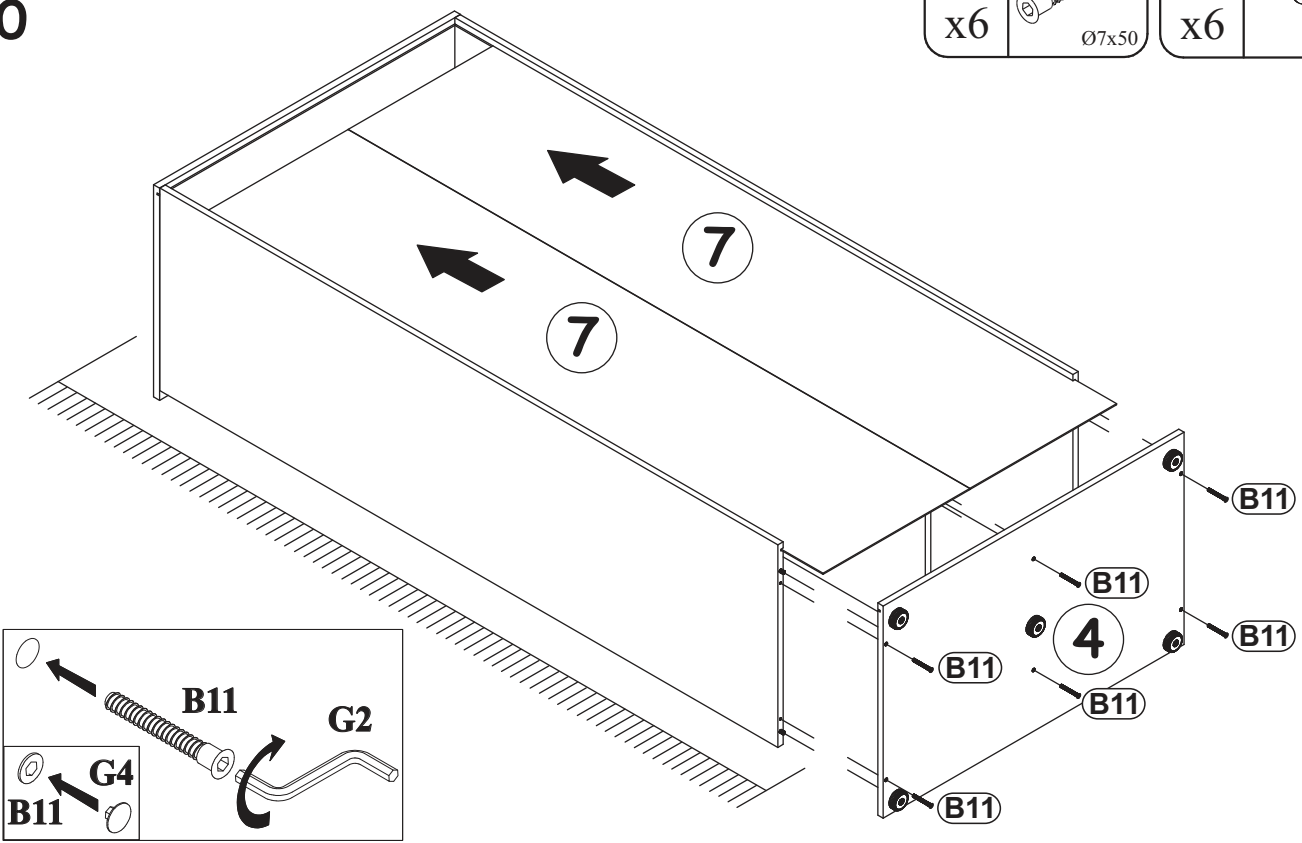
x4



DINO TYP 3

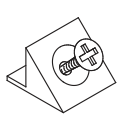
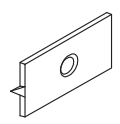

10

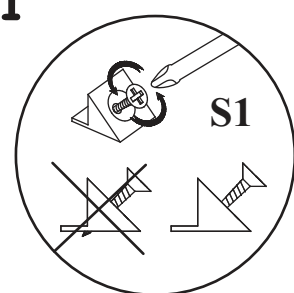
| | | | |
|-----|---|----|---|
| B11 |  | G4 |  |
| x6 | Ø7x50 | x6 | |




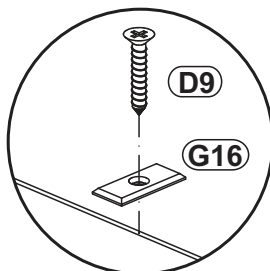
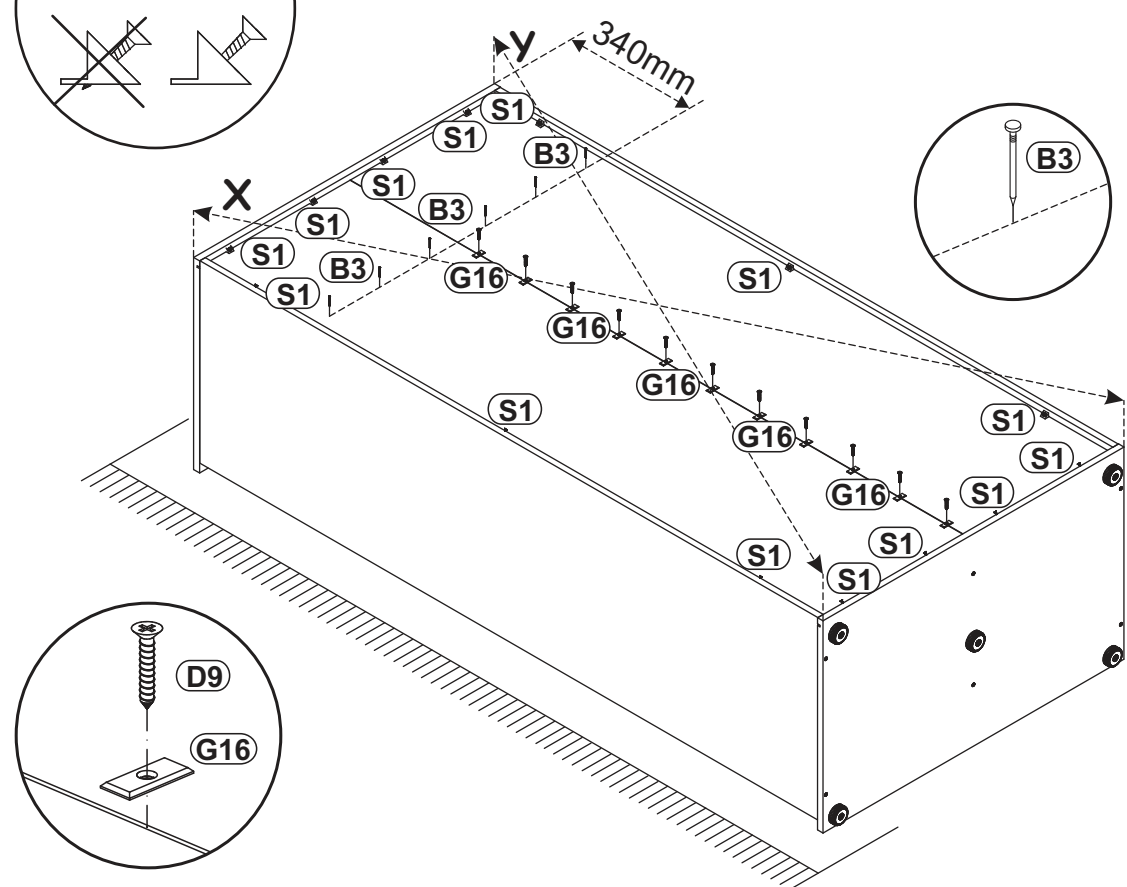
11



| | | | | | |
|-----|--|-----|---|-----|---|
| S1 |  | G16 |  | D9 |  |
| x14 | | x11 | | x11 | USØ3x20 |

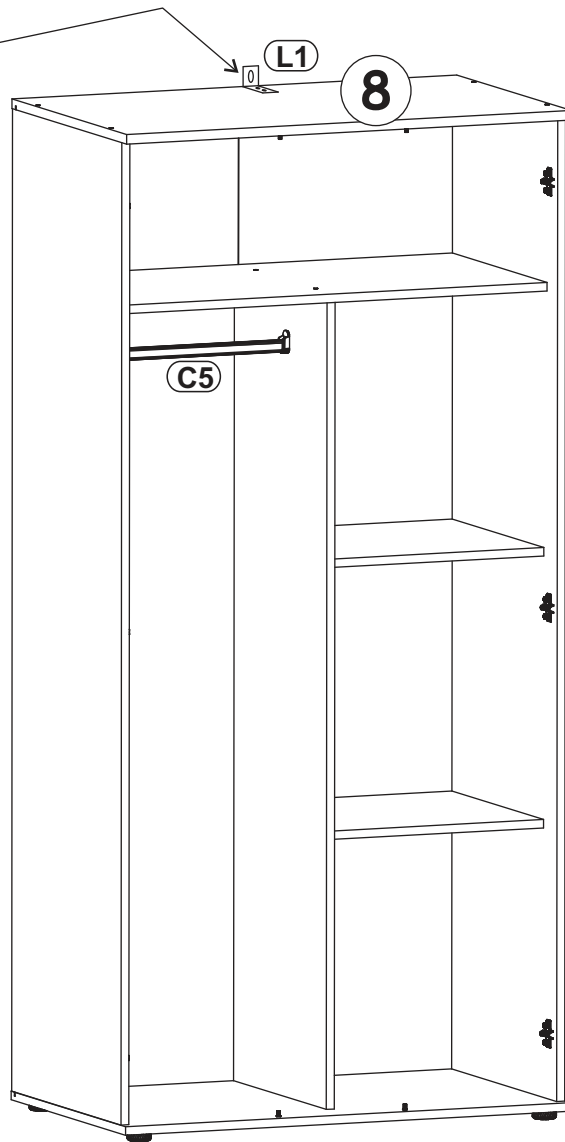
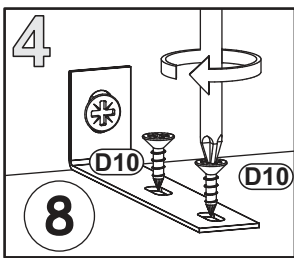
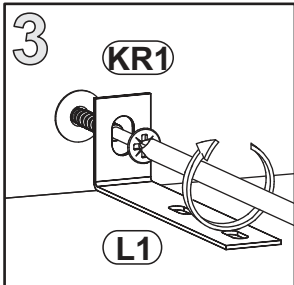
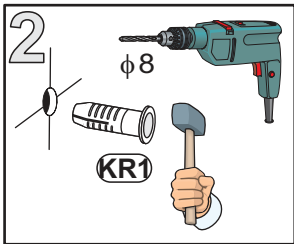
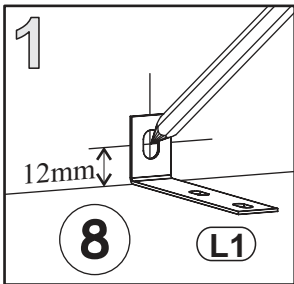
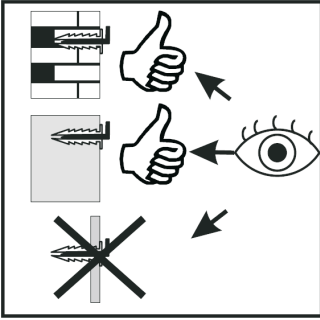
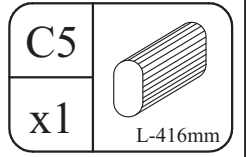
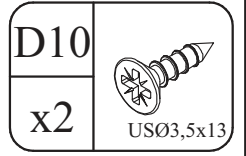
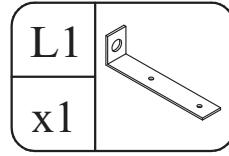
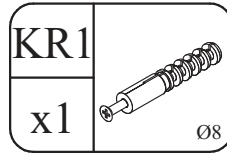


| | |
|----|---|
| B3 |  |
| x6 | Ø1,4x25 |

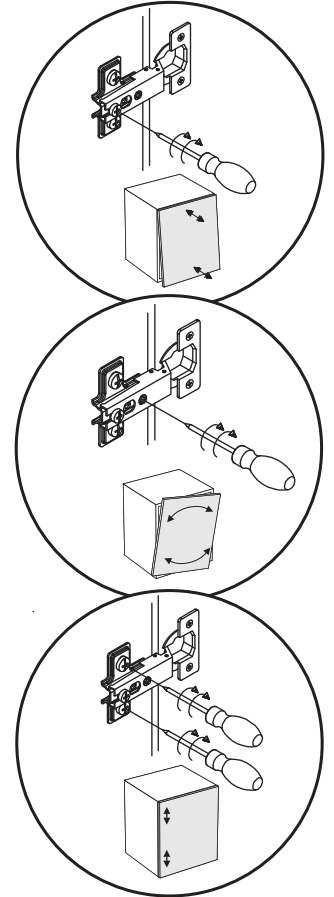
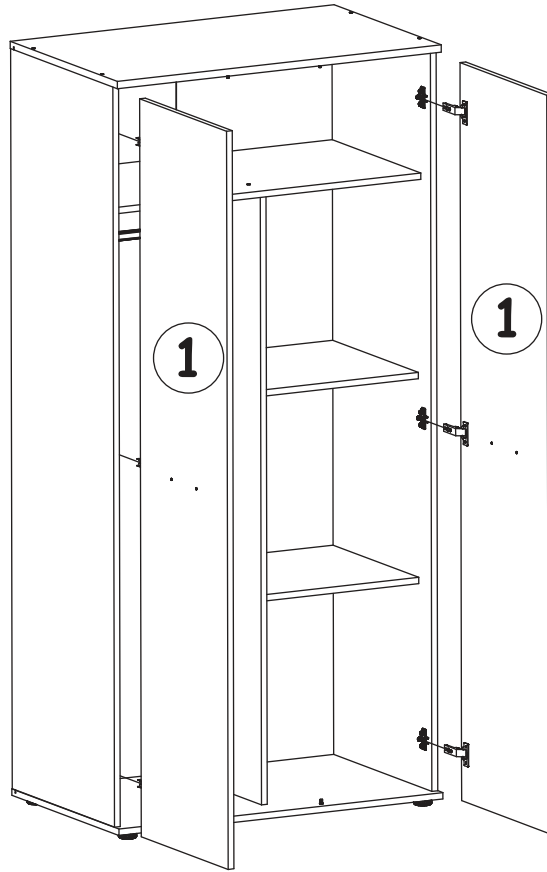


DINO TYP 3

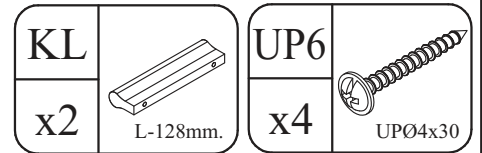
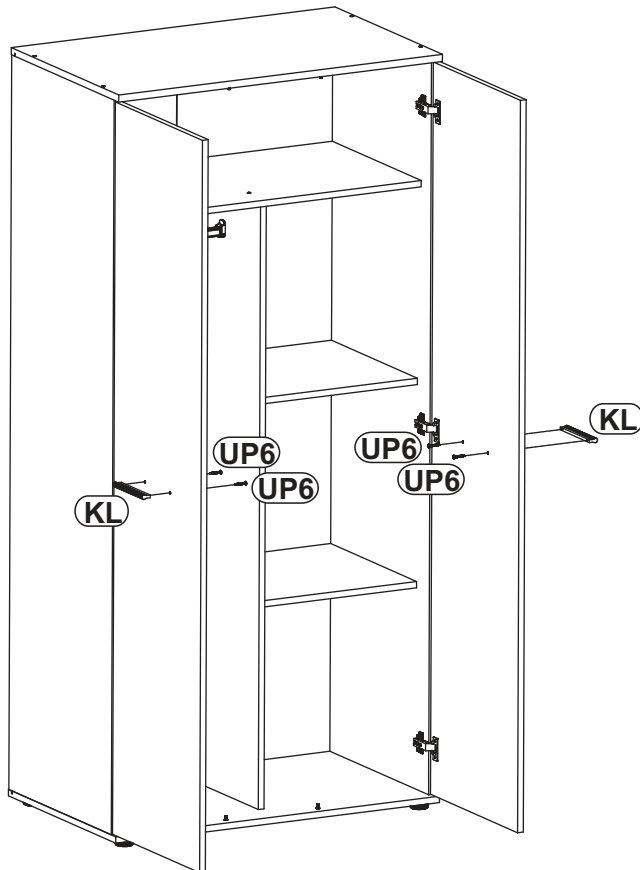
12



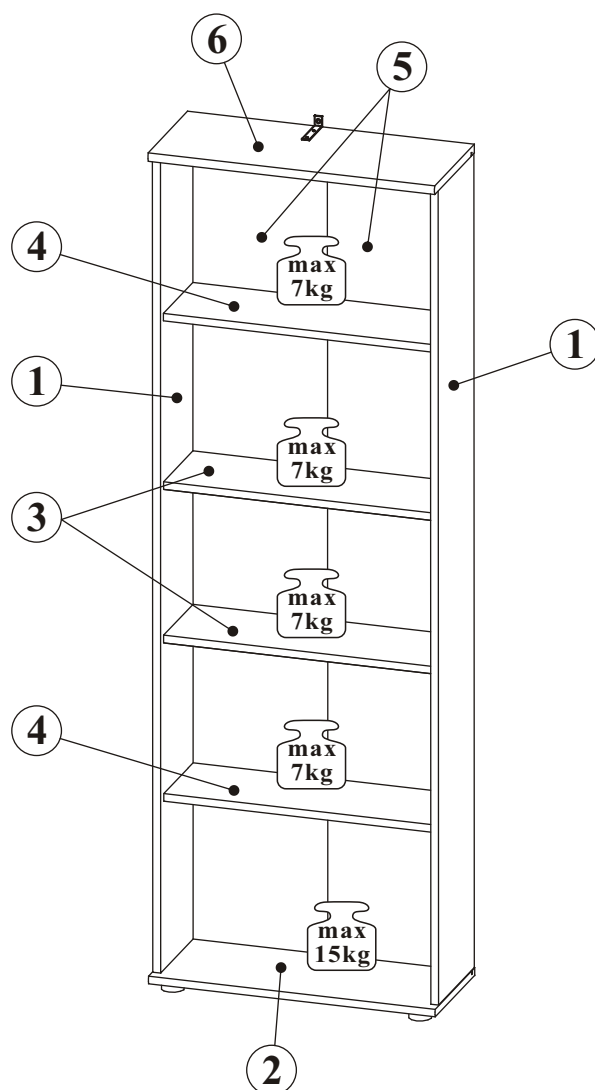
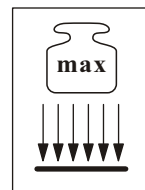
13



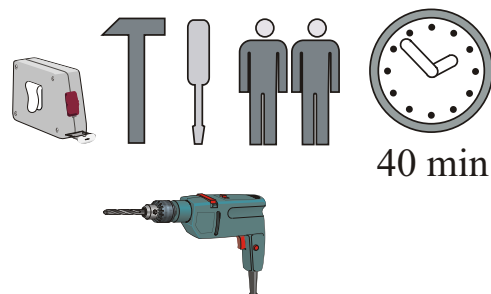
14



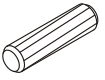
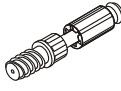
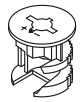




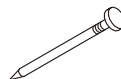
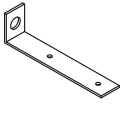
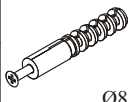
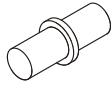
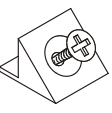



DINO TYP 8

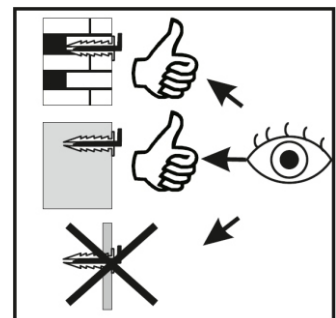
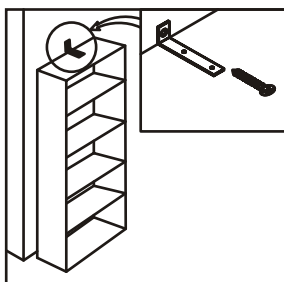
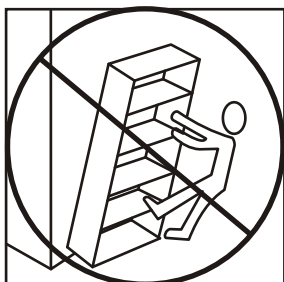
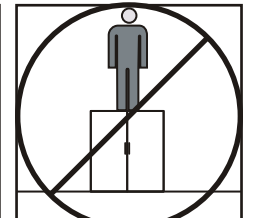
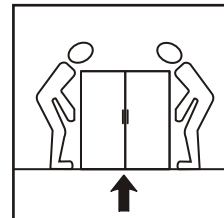
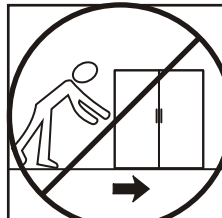
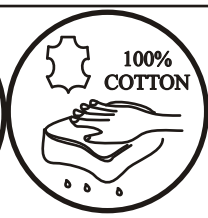
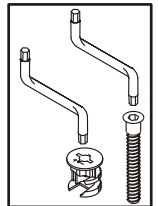
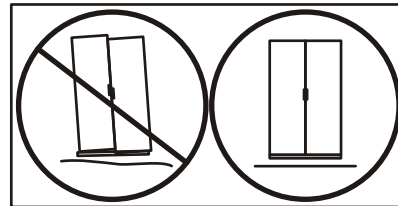
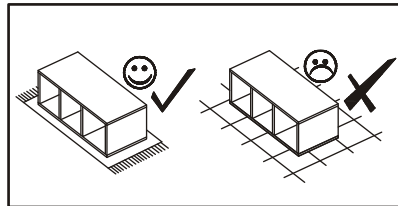
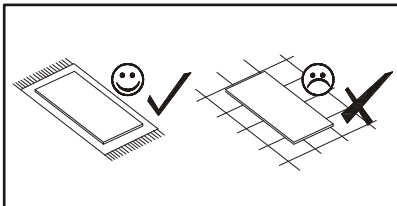
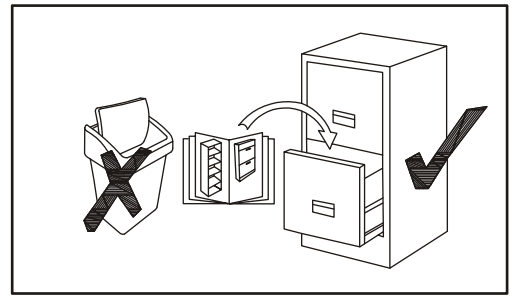
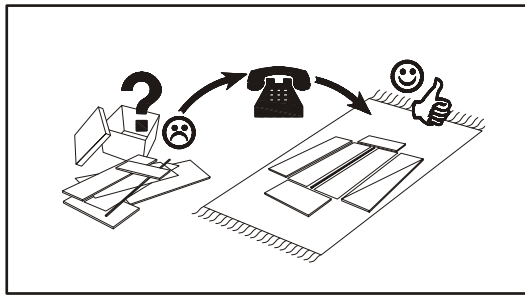
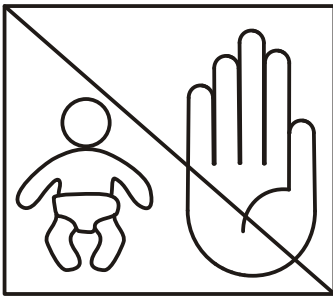
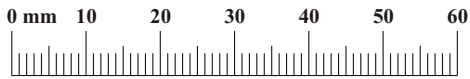


| NO | Dim. | | | Col-No | Qty |
|----|------|-------|----|--------|-----|
| 1 | 1700 | 220 | 16 | 1 | 2 |
| 2 | 586 | 245 | 18 | 1 | 1 |
| 3 | 552 | 180 | 16 | 1 | 2 |
| 4 | 552 | 180 | 16 | 1 | 2 |
| 5 | 1711 | 281,5 | 3 | 1 | 2 |
| 6 | 586 | 245 | 18 | 1 | 1 |



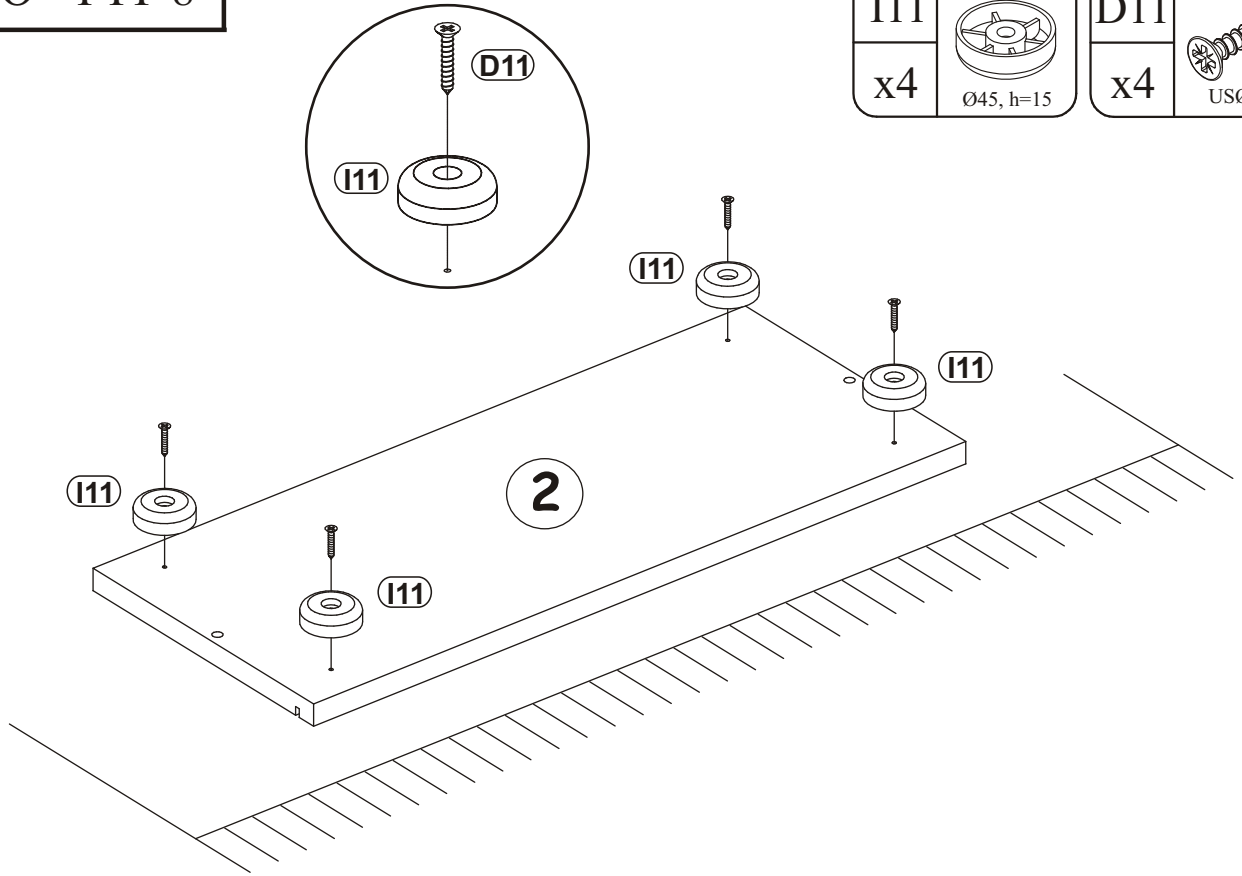
DINO TYP 8

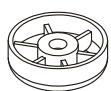
| | | | | | |
|---|---|---|---|---|--|
| A1 x16  ø8x36 | B4 x4  | B5 x4  Ø15x12 | G5 x4  | B11 x4  Ø7x50 | G4 x4  |
| D10 x2  USØ3,5x13 | B3 x10  Ø1,4x25 | L1 x1  | KR1 x1  Ø8 | G7 x8  | S1 x12  |
| I11 x4  Ø45, h=15 | D11 x4  USØ3,5x25 | G2 x1  | | | |




DINO TYP 8

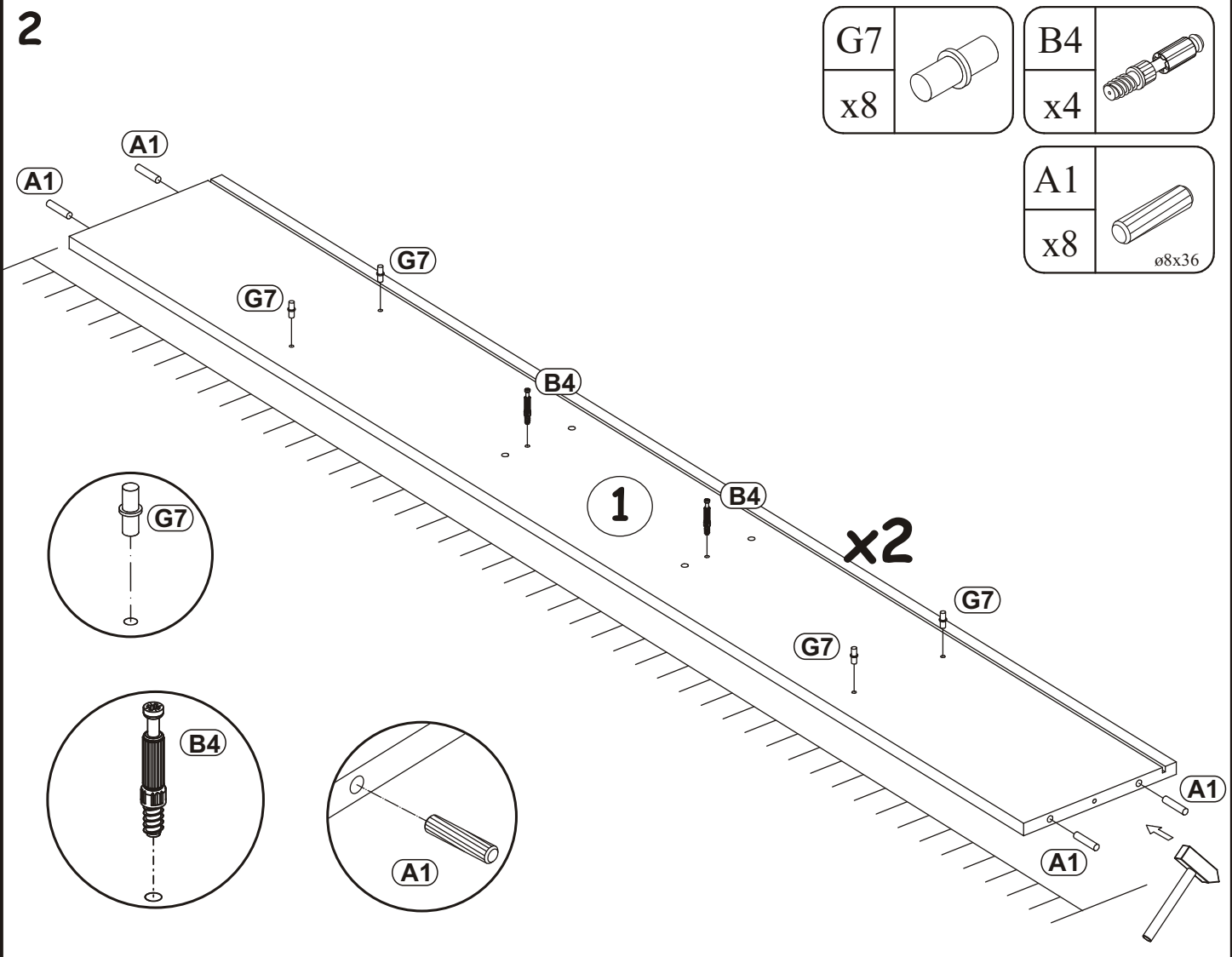
1

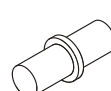


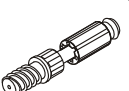
| | |
|-----|---|
| I11 |  |
| x4 | Ø45, h=15 |

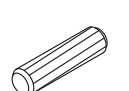
| | |
|-----|---|
| D11 |  |
| x4 | USØ3,5x25 |

2



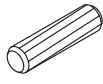
| | |
|----|---|
| G7 |  |
| x8 | |


| | |
|----|---|
| B4 |  |
| x4 | |

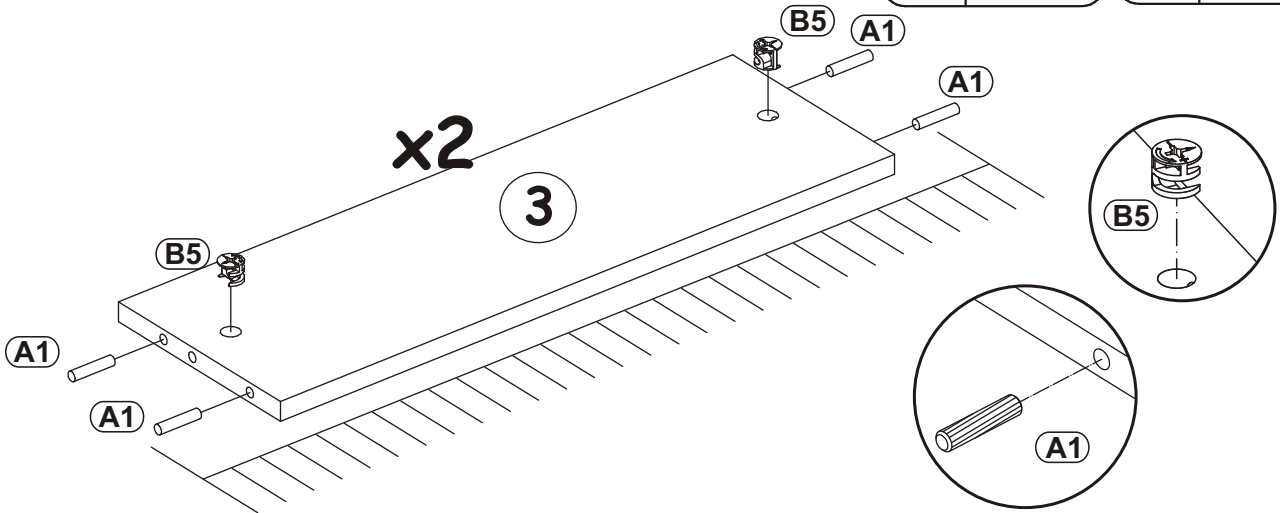
| | |
|----|---|
| A1 |  |
| x8 | ø8x36 |

DINO TYP 8


3


| | |
|----|---|
| A1 |  |
| x8 | ø8x36 |


| | |
|----|---|
| B5 |  |
| x8 | Ø15x12 |

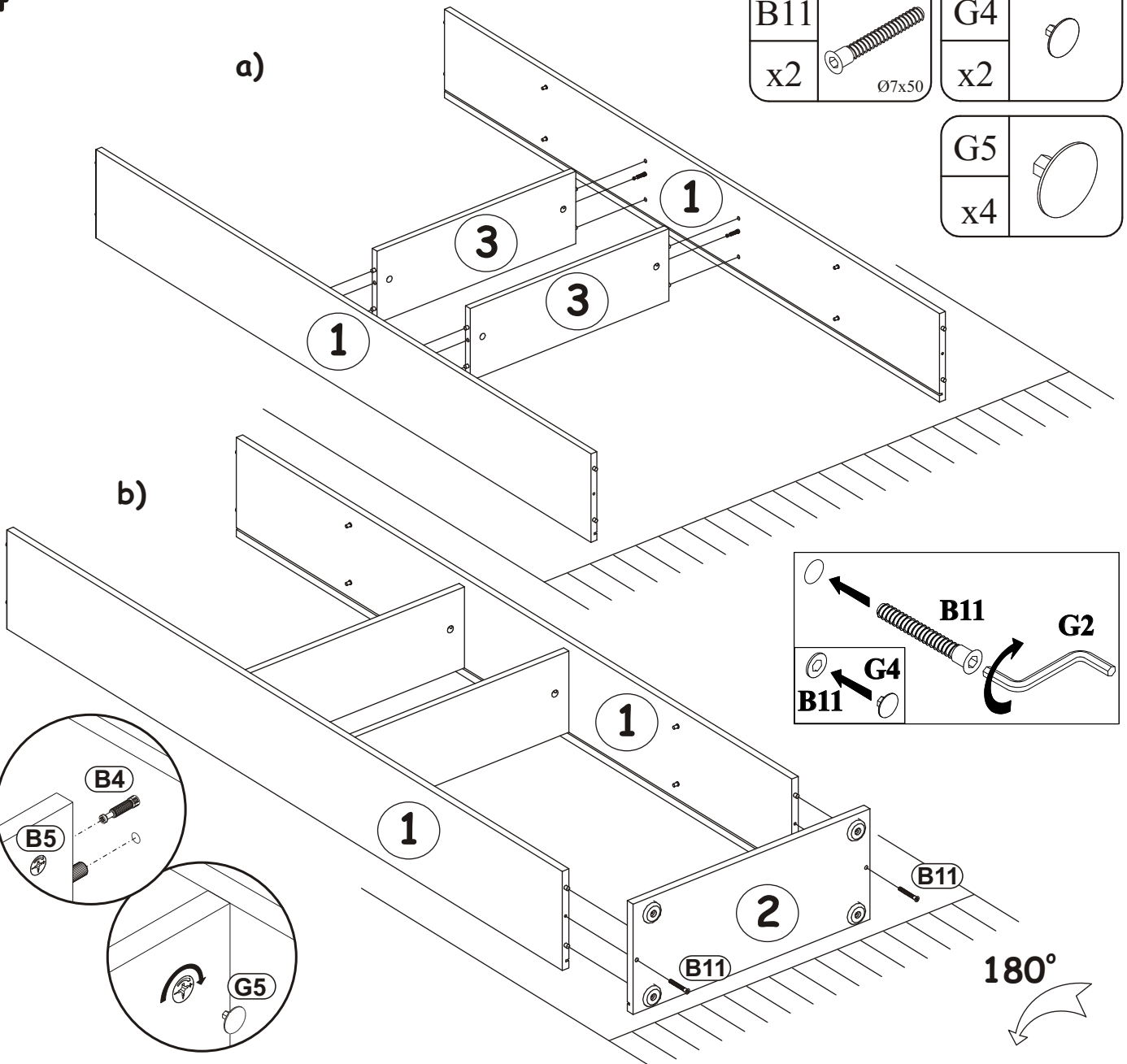


4



| | |
|-----|---|
| B11 |  |
| x2 | Ø7x50 |

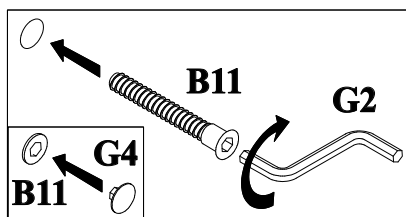
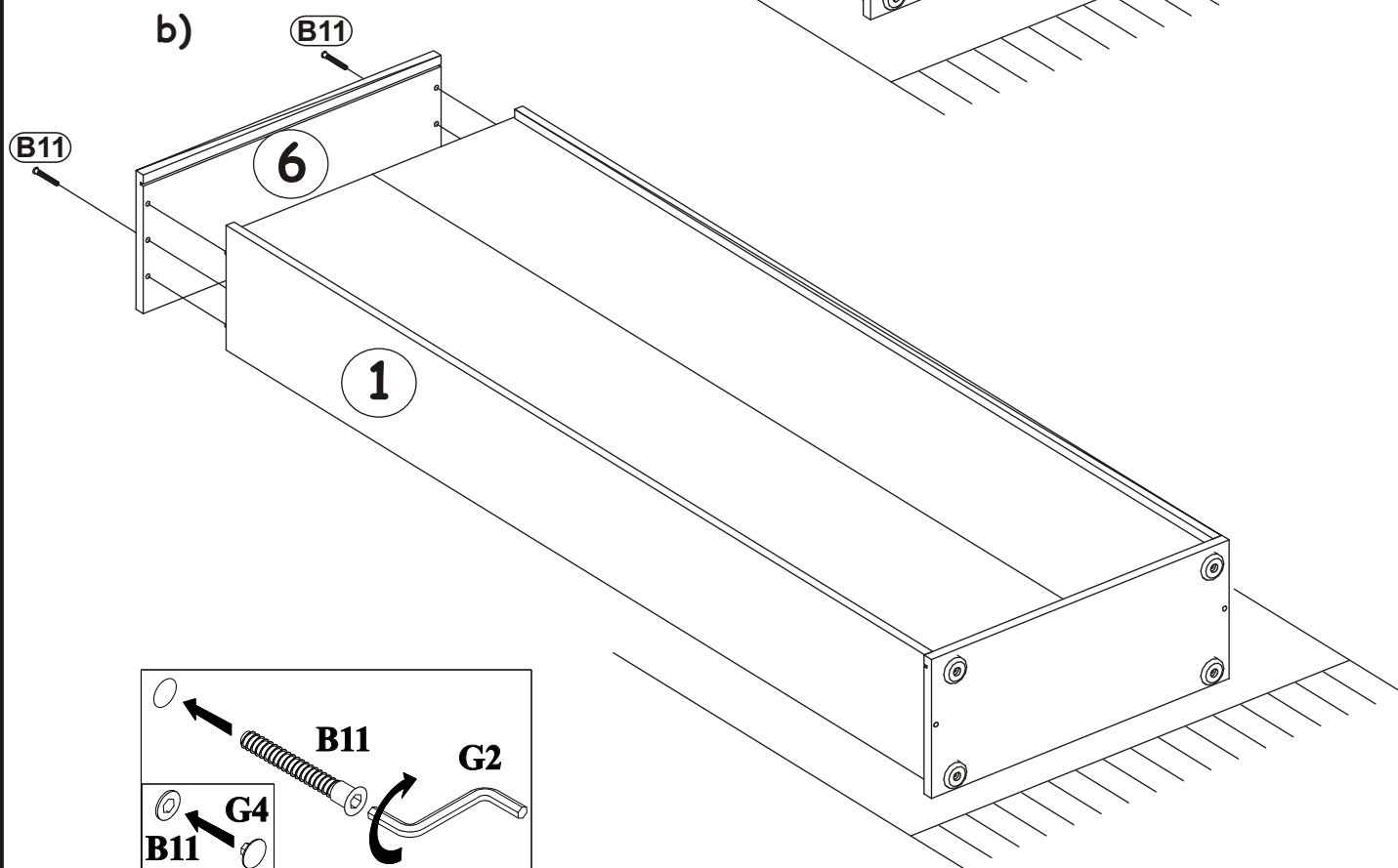
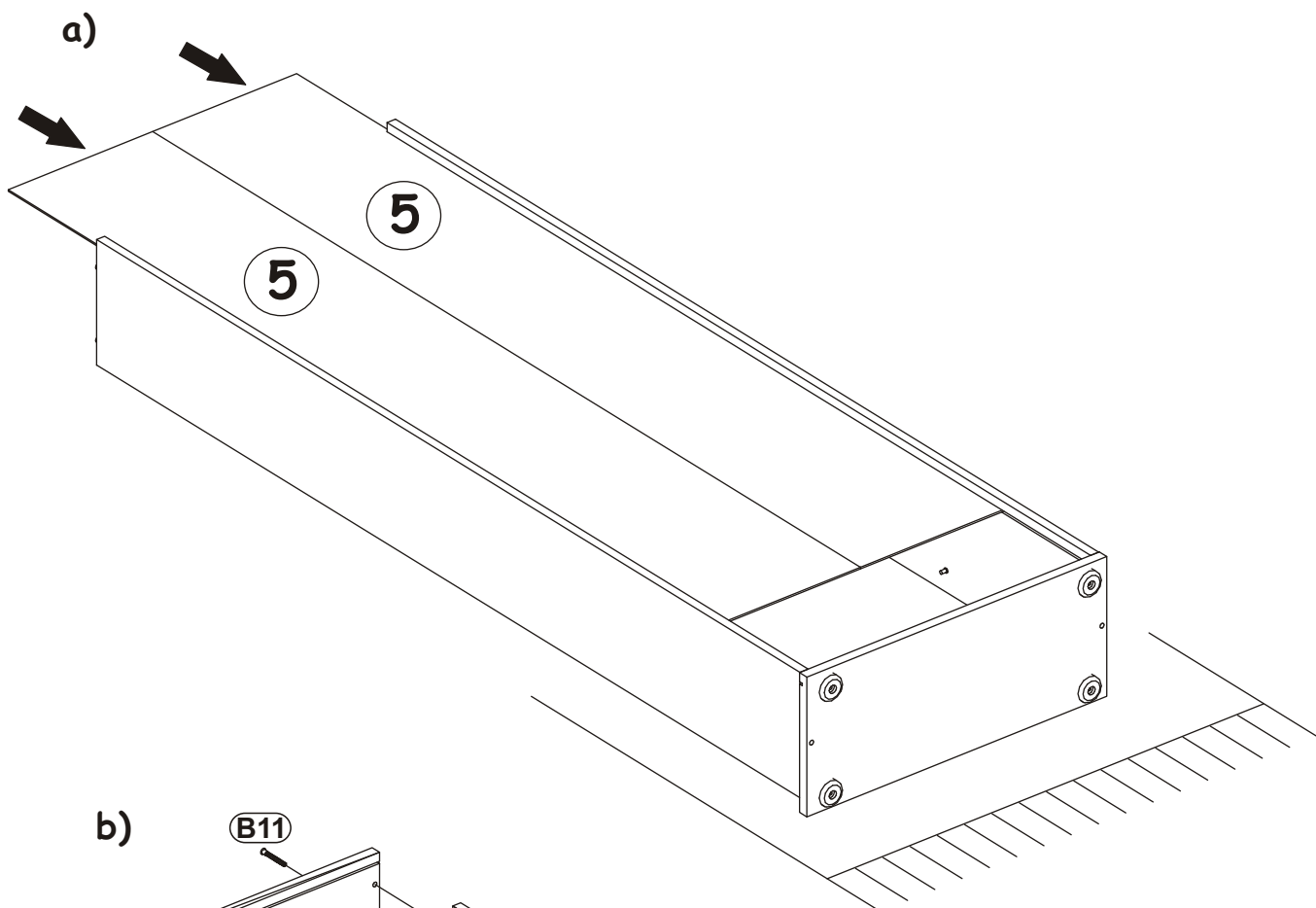
| | |
|----|---|
| G4 |  |
| x2 | |

| | |
|----|--|
| G5 |  |
| x4 | |



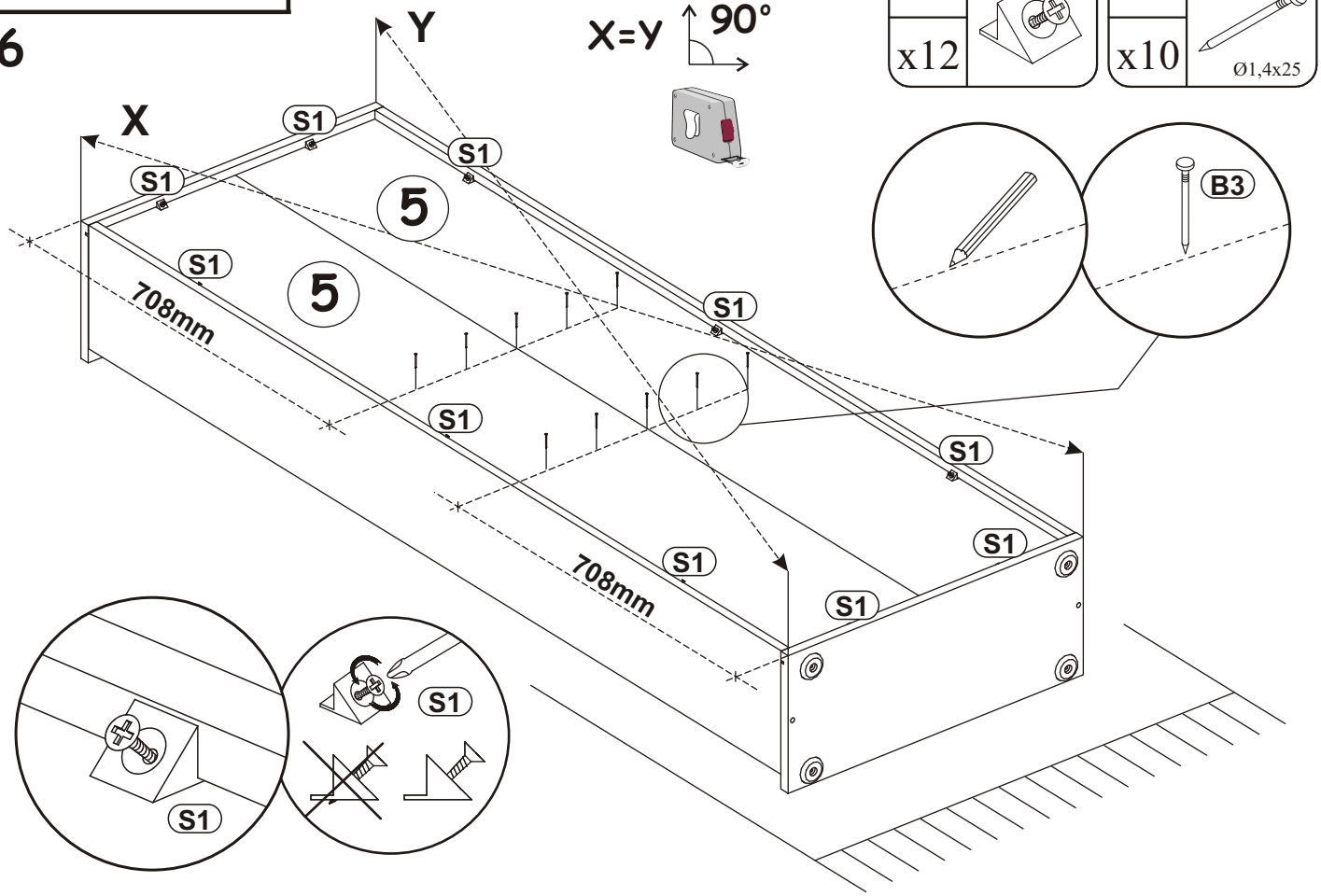
5

| | | | |
|-----|---|----|---|
| B11 |  | G4 |  |
| x2 | Ø7x50 | x2 | |

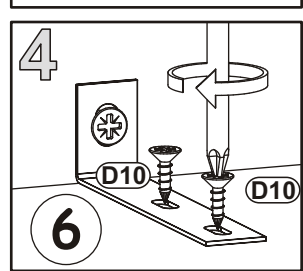
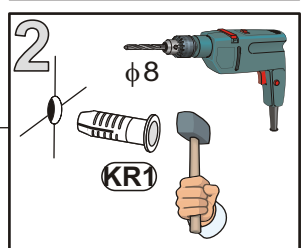
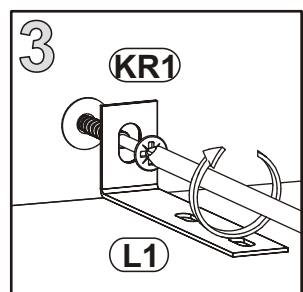
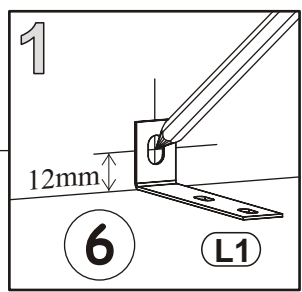
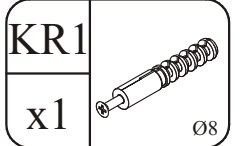
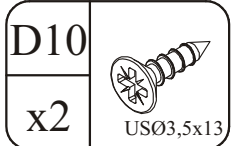
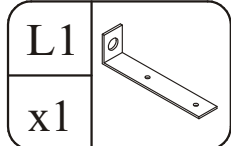
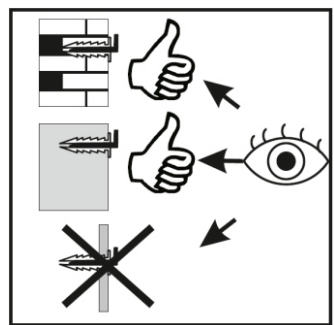
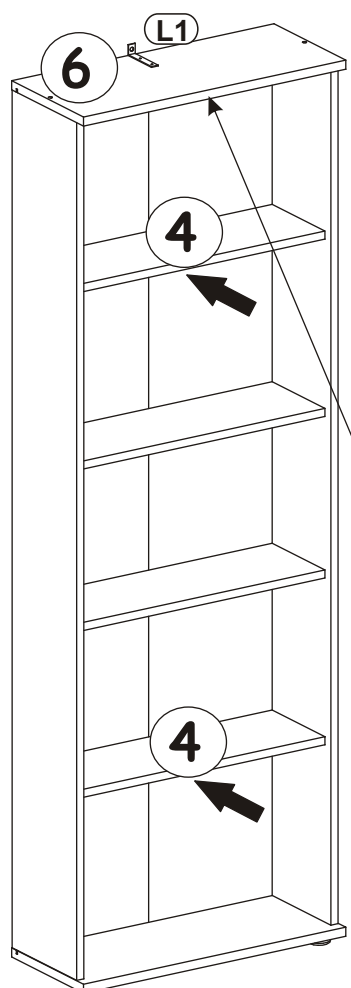


DINO TYP 8

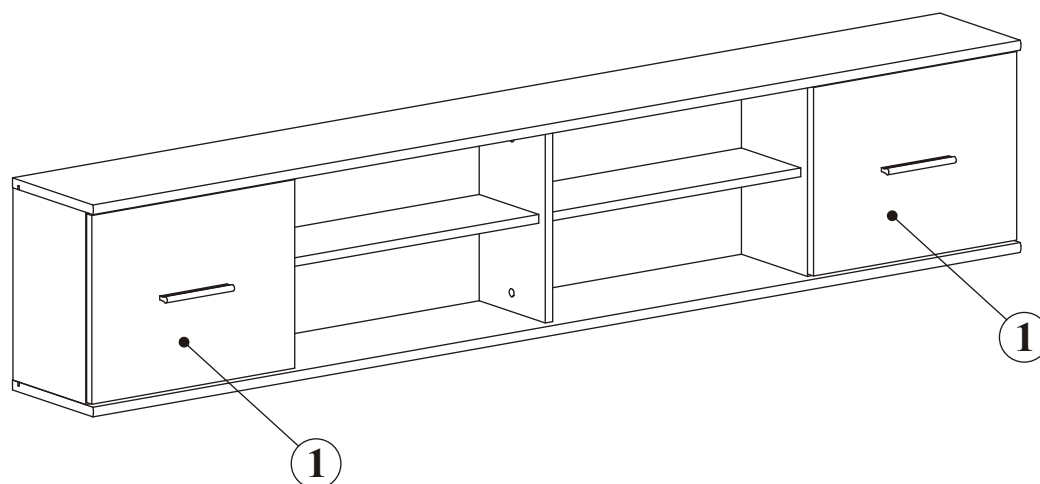
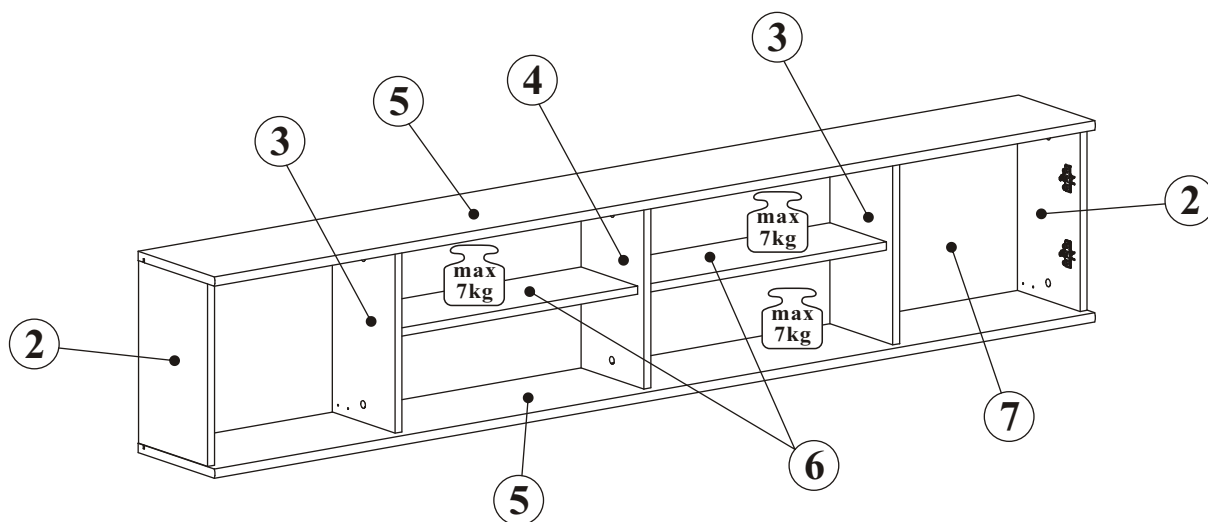
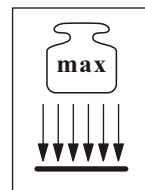
6



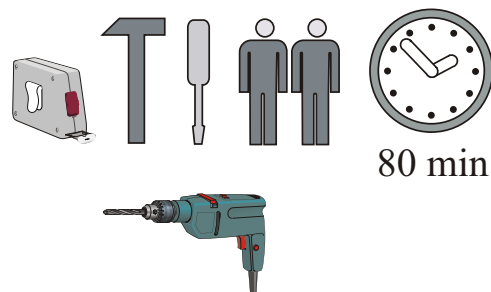
7



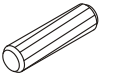
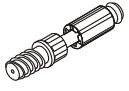
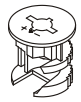

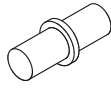
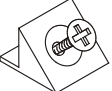
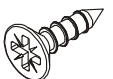
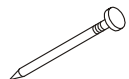
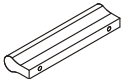

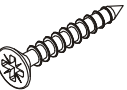
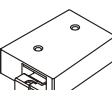
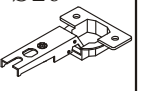
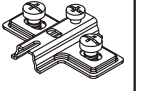

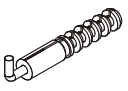
DINO TYP 7

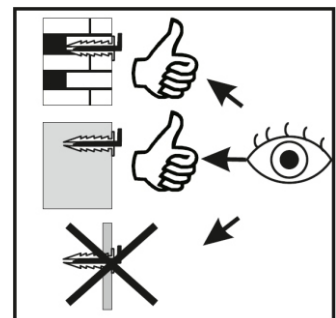
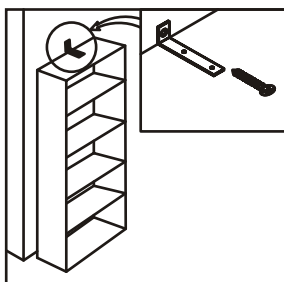
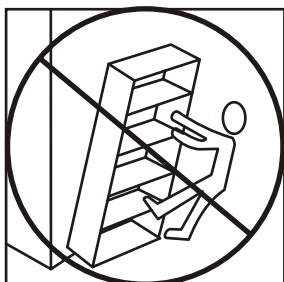
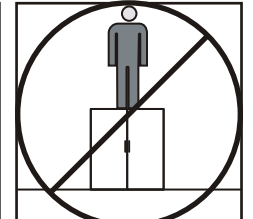
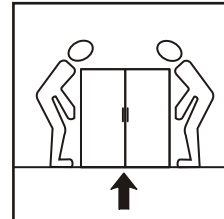
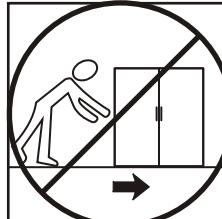
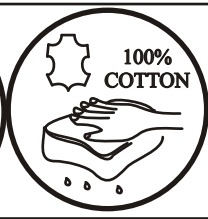
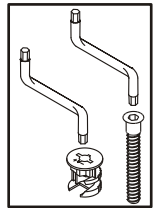
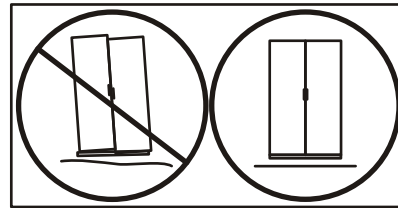
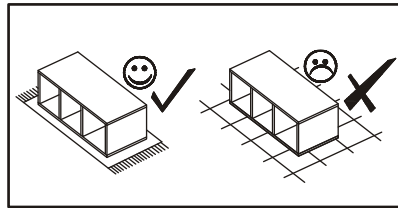
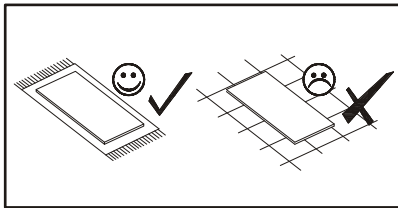
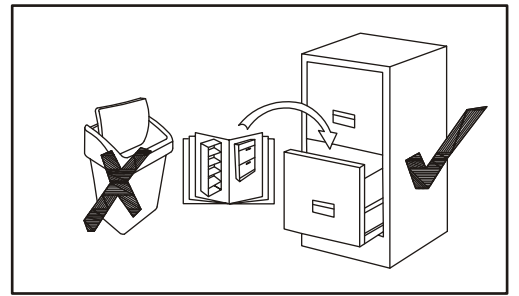
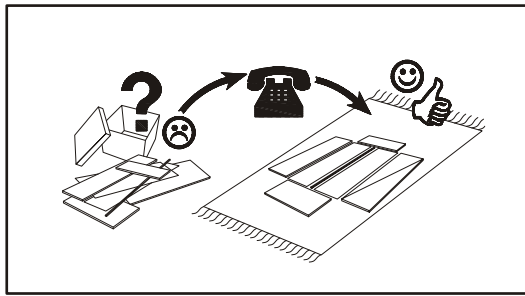
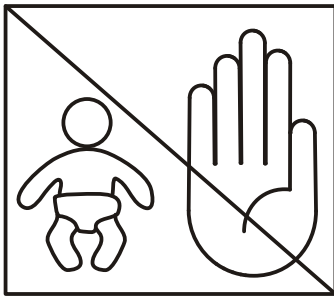
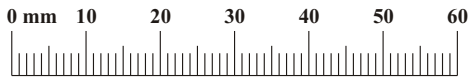


| NO | Dim. | | | Col-No | Qty |
|----|------|------|----|--------|-----|
| 1 | 346 | 446 | 16 | 1 | 2 |
| 2 | 353 | 220 | 16 | 1 | 2 |
| 3 | 353 | 200 | 16 | 1 | 2 |
| 4 | 353 | 200 | 16 | 1 | 1 |
| 5 | 2038 | 245 | 18 | 1 | 2 |
| 6 | 560 | 180 | 16 | 1 | 2 |
| 7 | 364 | 2015 | 3 | 1 | 1 |



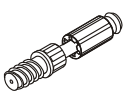
DINO TYP 7

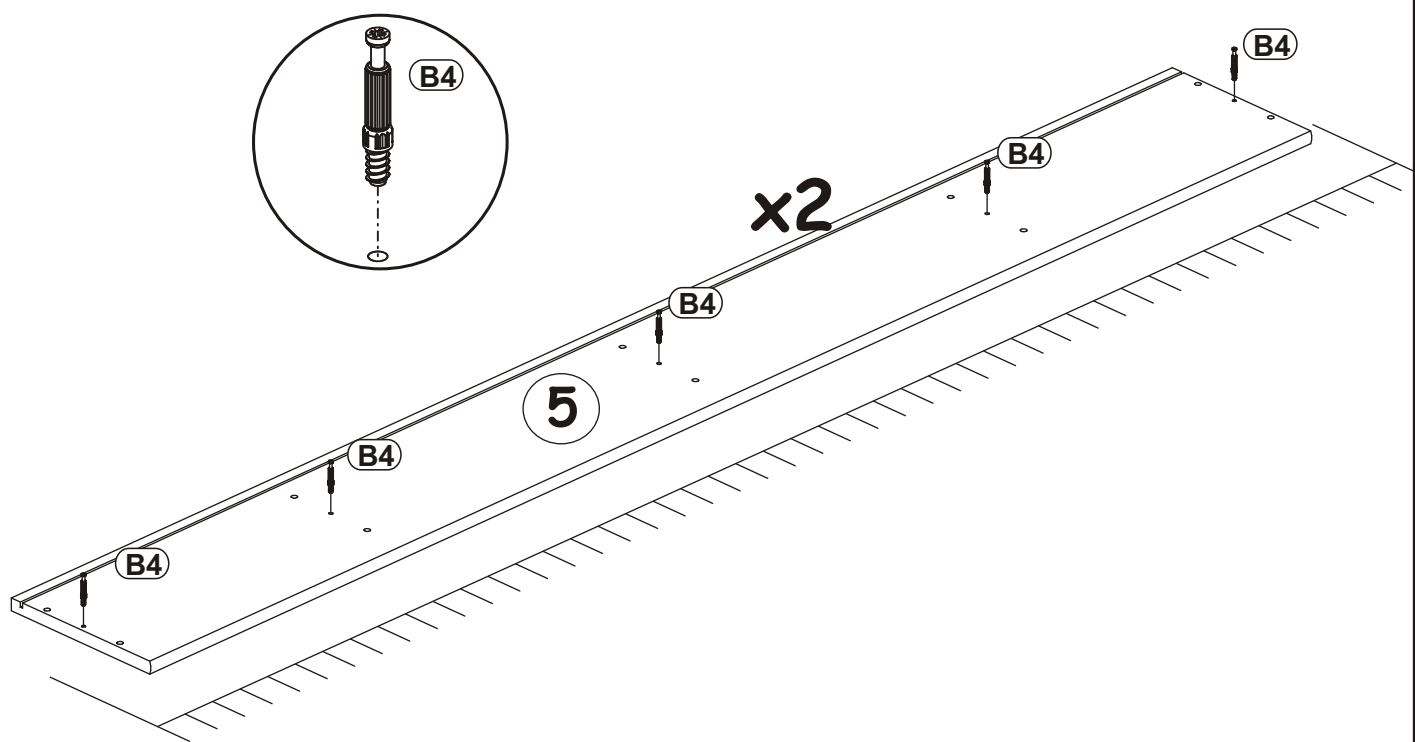
| | | | | | |
|---|--|---|--|--|--|
| A1 x20  ø8x36 | B4 x10  | B5 x10  Ø15x12 | G5 x10  | G7 x8  | S1 x8  |
| D10 x8  USØ3,5x13 | B3 x6  Ø1,4x25 | KL x2  L-148mm. | UP6 x4  UPØ4x30 | D6 x8  USØ3,5x30 | ZR1 x4  |
| E1 x4  Ø26 H=0 | E2 x4  H=0 | G2 x1  | KR2 x4  | | |



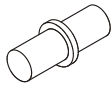
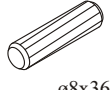

DINO TYP 8

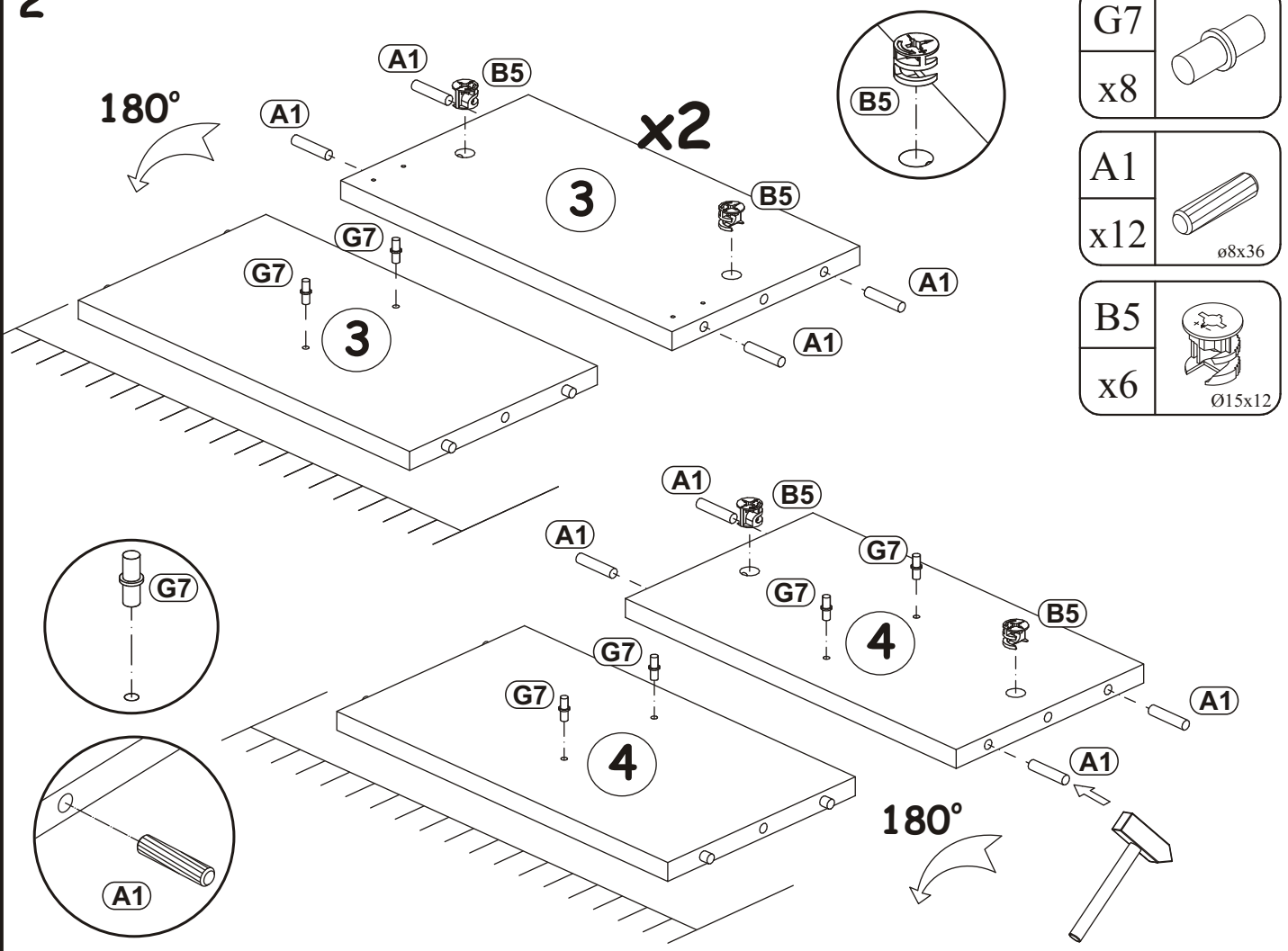
1

| | |
|-----|---|
| B4 |  |
| x10 | |



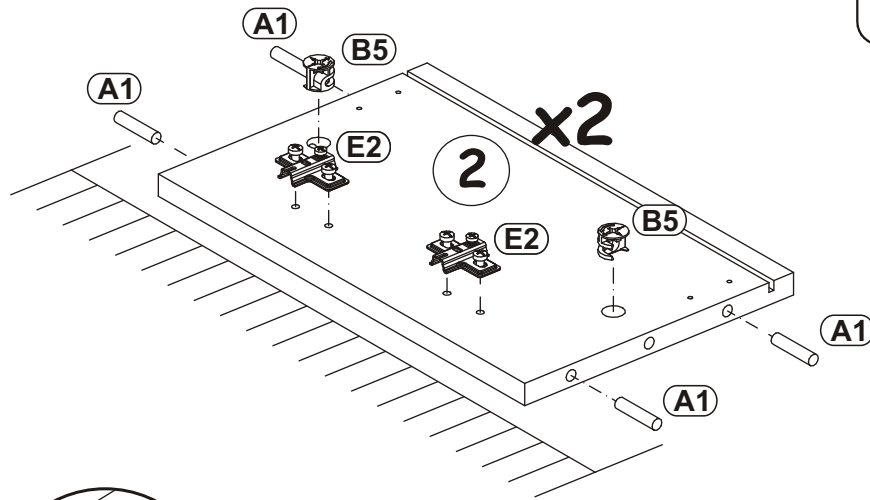
2

| | |
|-----|---|
| G7 |  |
| x8 | |
| A1 |  |
| x12 | <small>ø8x36</small> |
| B5 |  |
| x6 | <small>Ø15x12</small> |



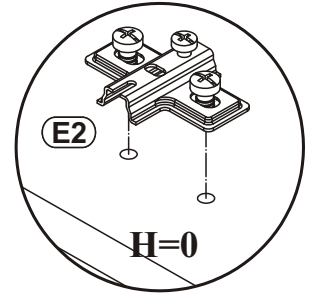
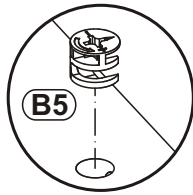
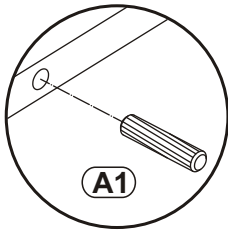
DINO TYP 7

3

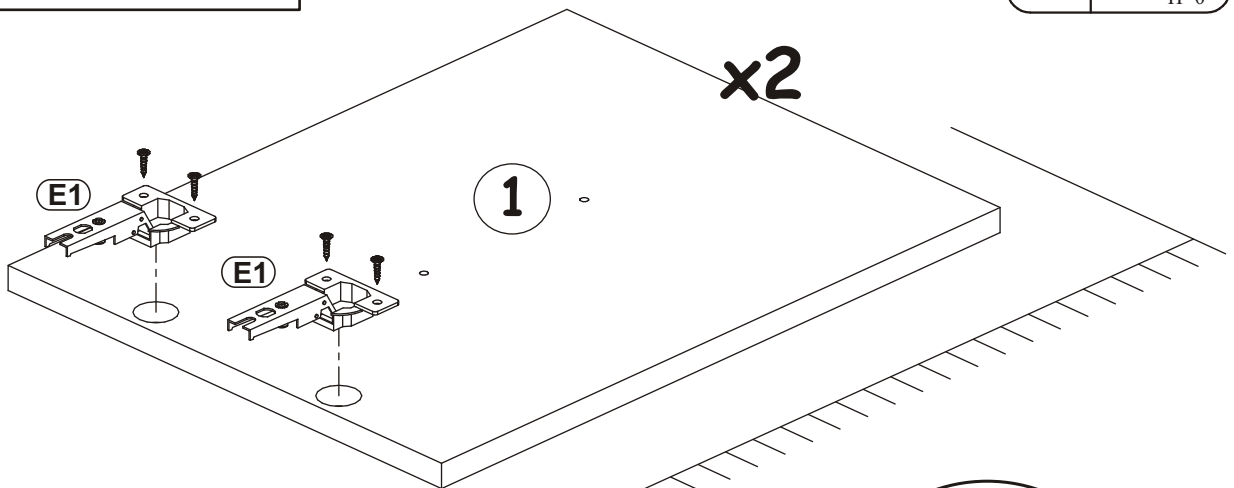
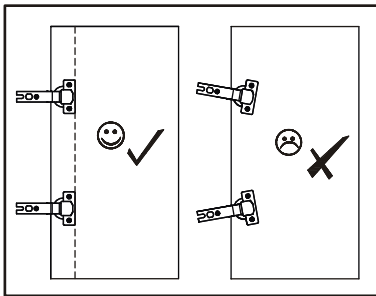


| | | | |
|----|--------|----|-------|
| B5 | | A1 | |
| x4 | Ø15x12 | x8 | ø8x36 |

| | |
|----|-----|
| E2 | |
| x4 | H=0 |

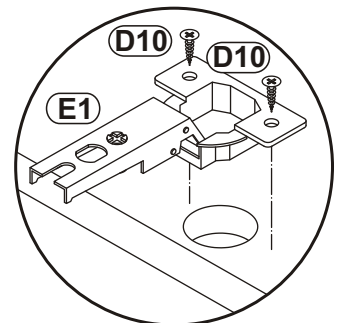


4

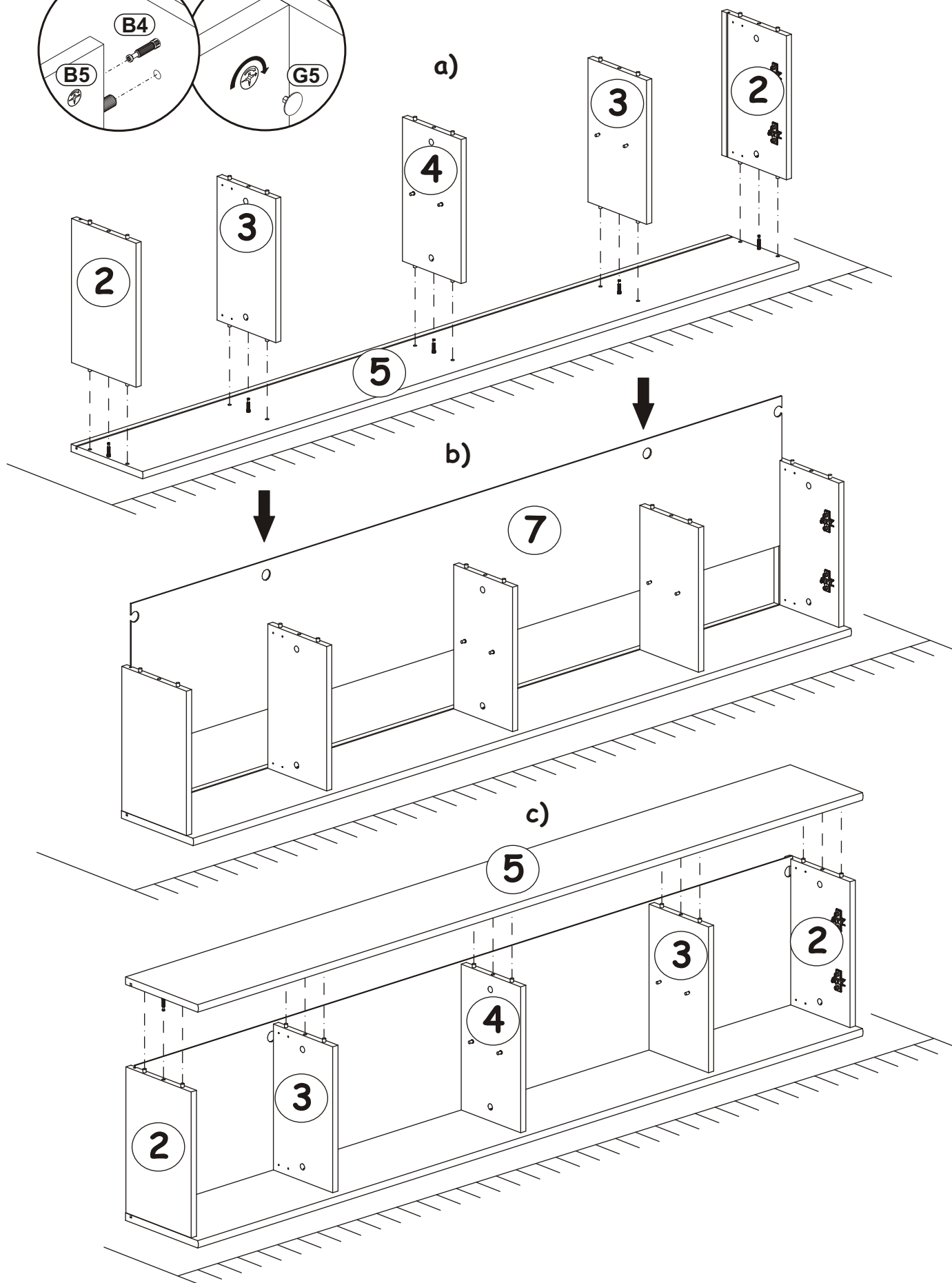
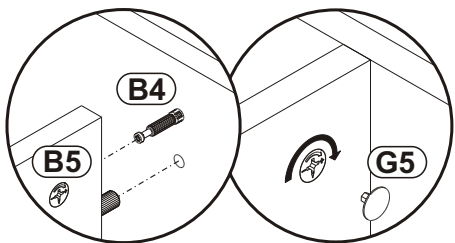
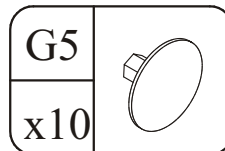


| | |
|-----|-----------|
| D10 | |
| x8 | USØ3,5x13 |

| | | |
|----|-----|-----|
| E1 | Ø26 | |
| x4 | | H=0 |




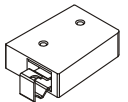
5

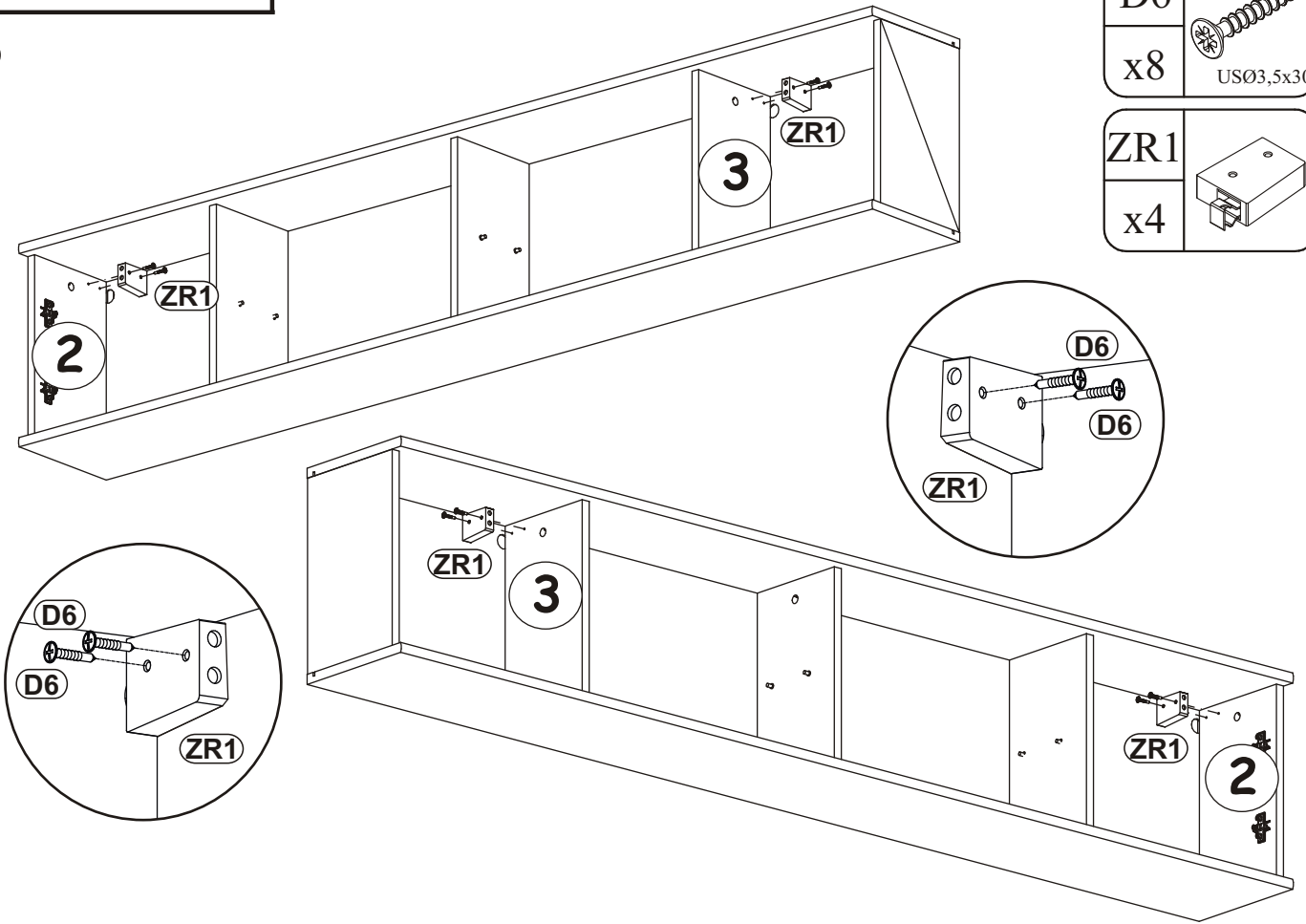


DINO TYP 7


6

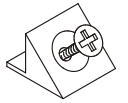
| | |
|----|---|
| D6 |  |
| x8 | USØ3,5x30 |

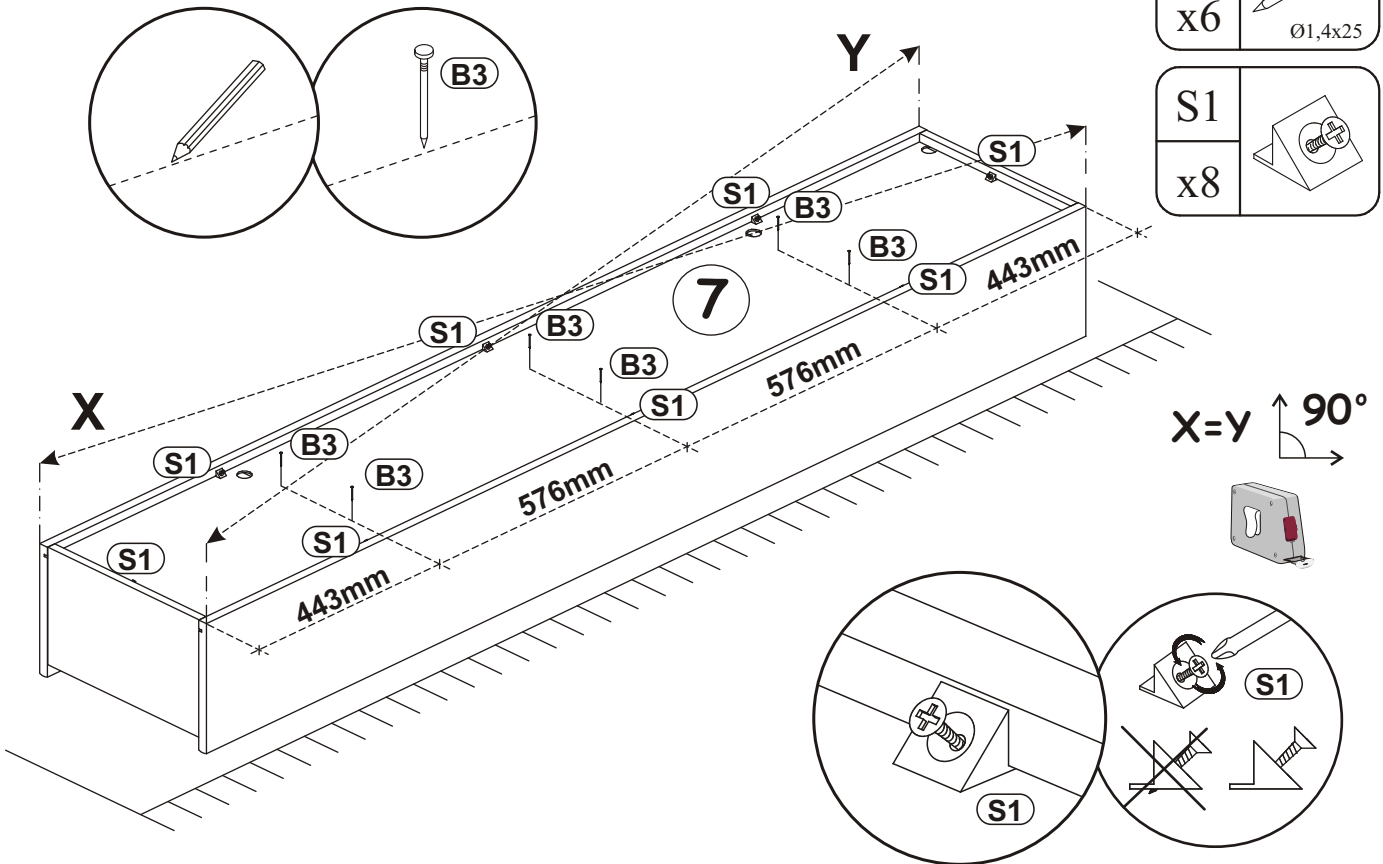
| | |
|-----|---|
| ZR1 |  |
| x4 | |



7

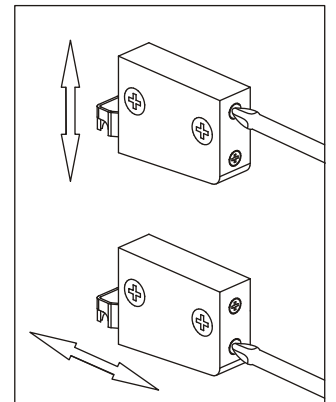
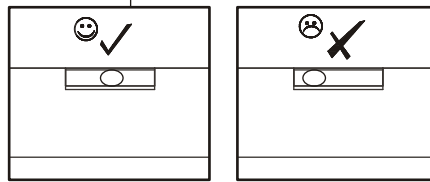
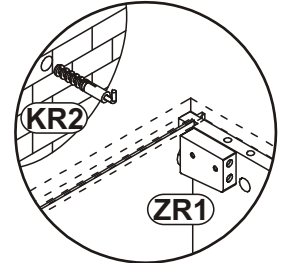
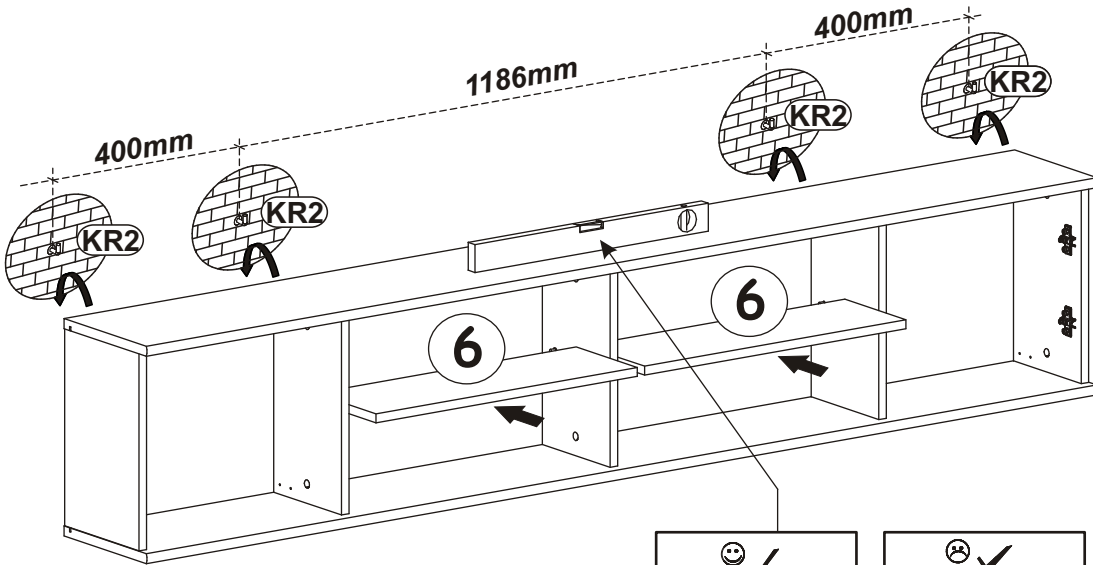
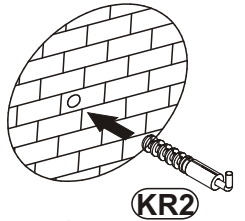
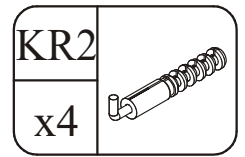
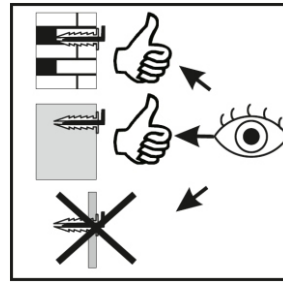
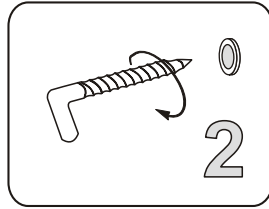
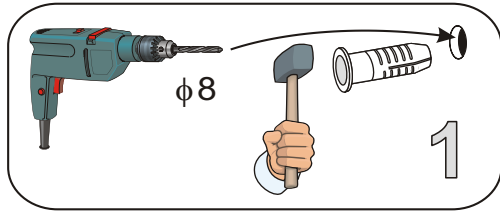
| | |
|----|---|
| B3 |  |
| x6 | Ø1,4x25 |

| | |
|----|---|
| S1 |  |
| x8 | |

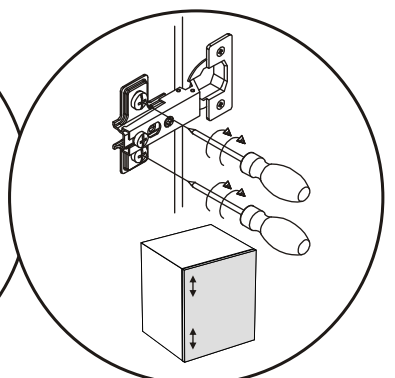
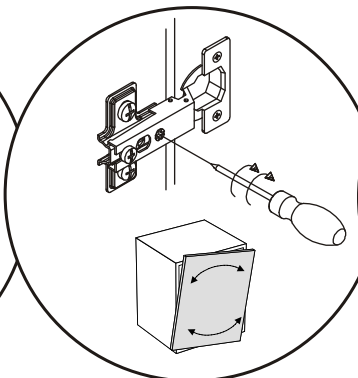
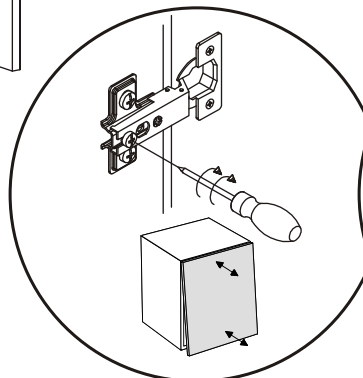
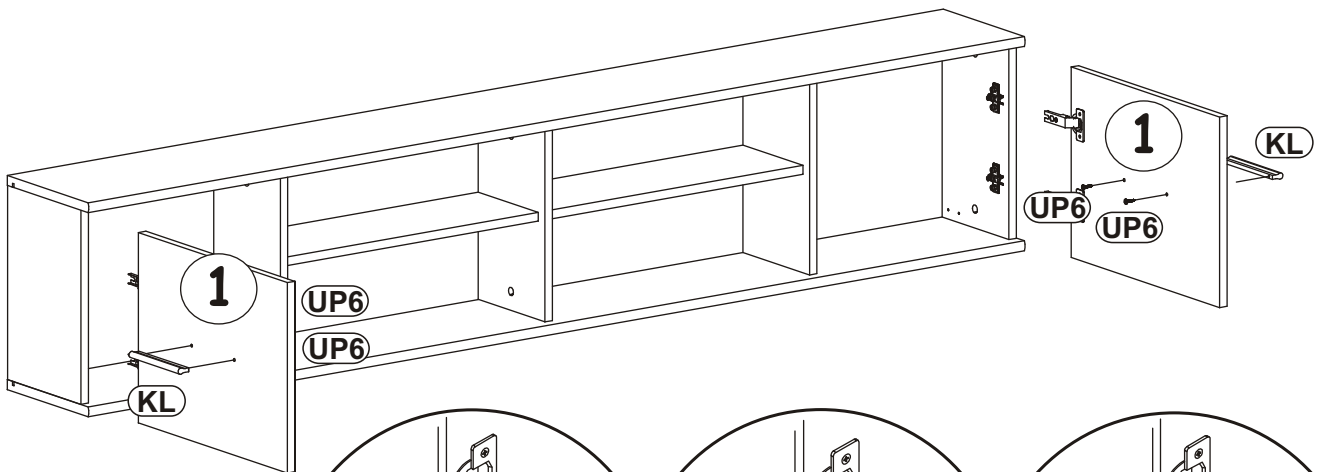
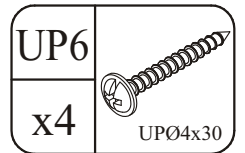
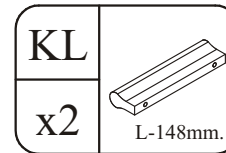


DINO TYP 7

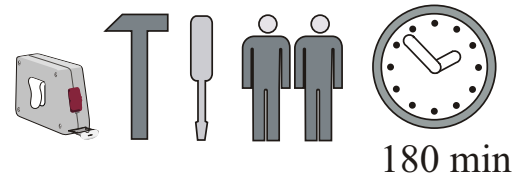
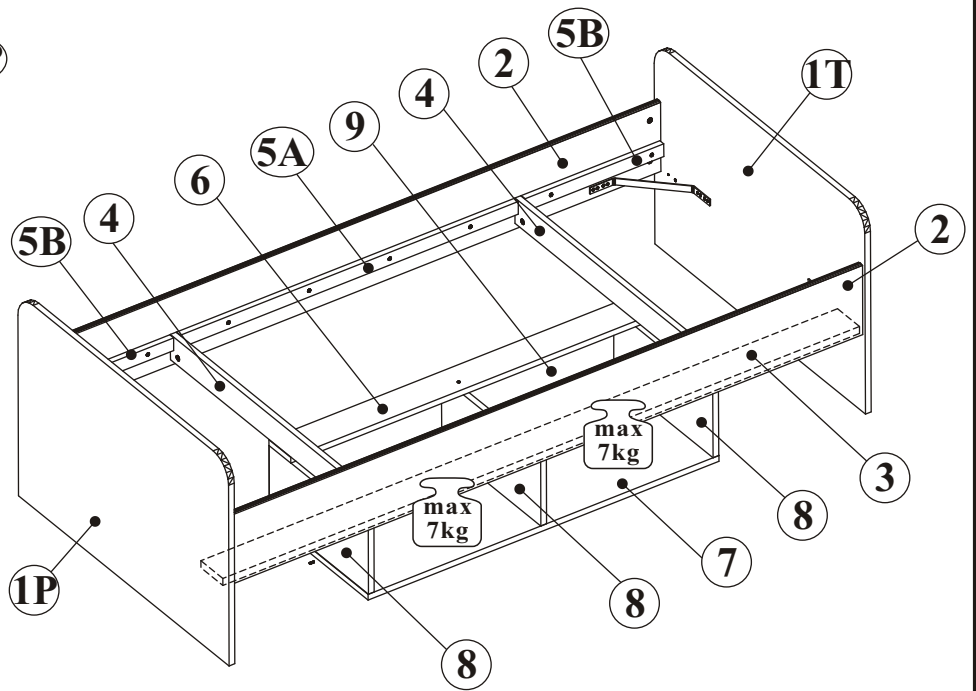
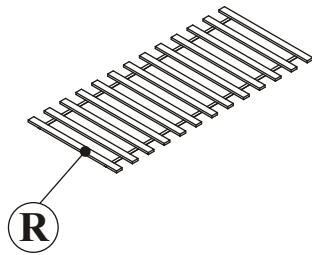
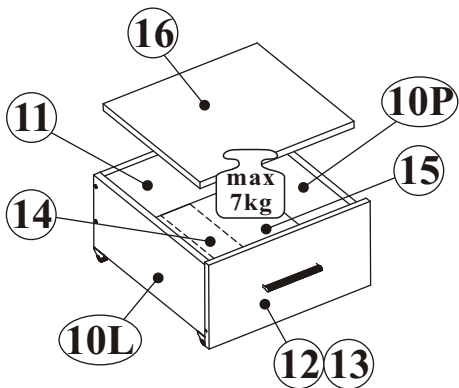
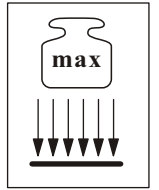
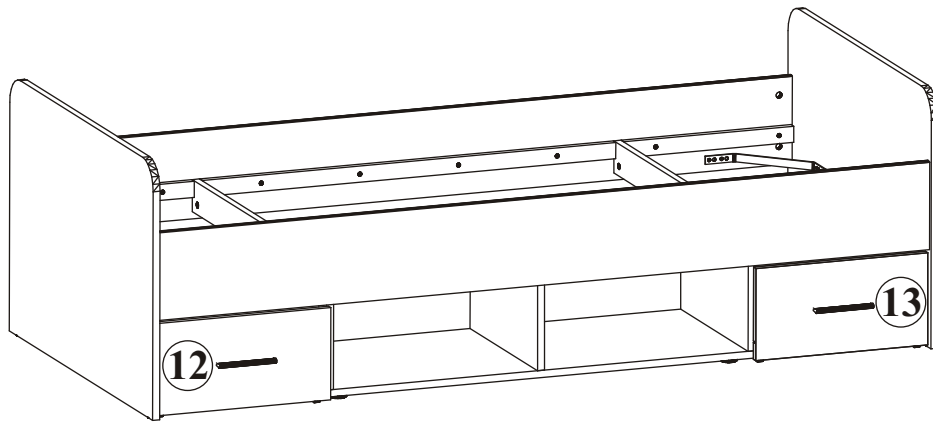
8



9



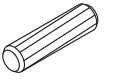
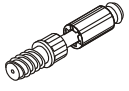
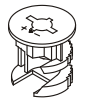



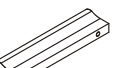

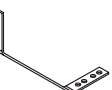
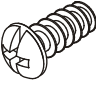
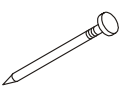
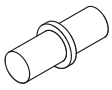
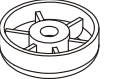
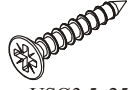




DINO TYP 4

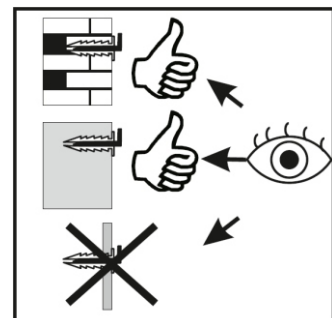
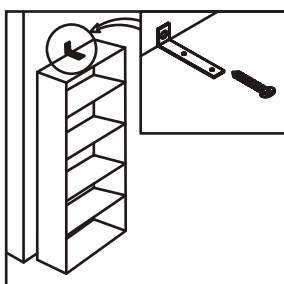
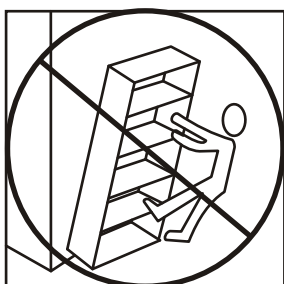
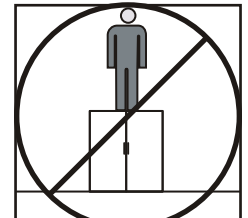
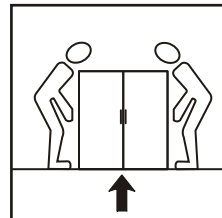
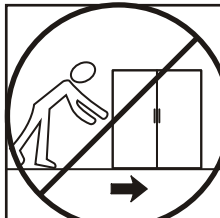
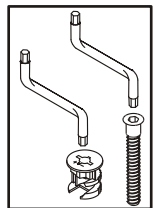
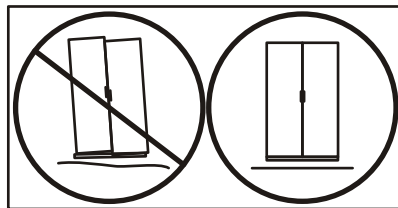
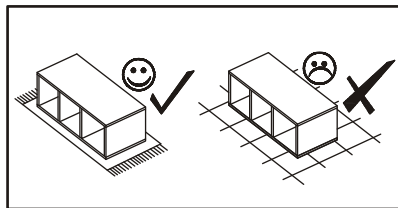
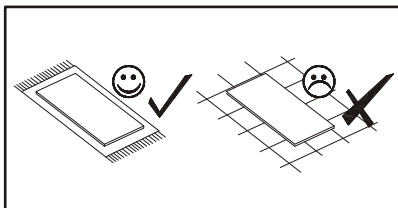
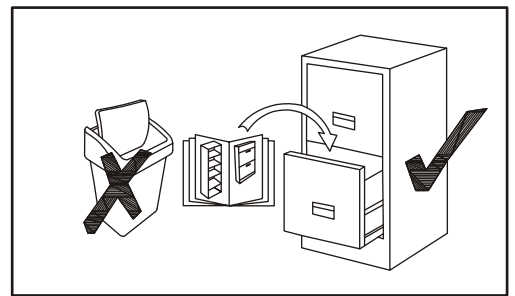
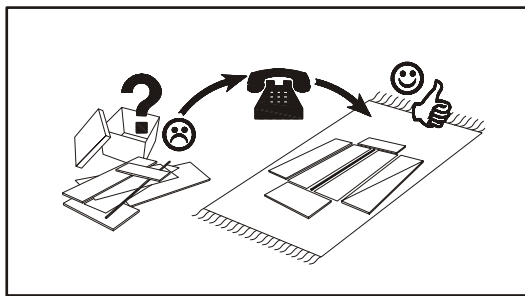
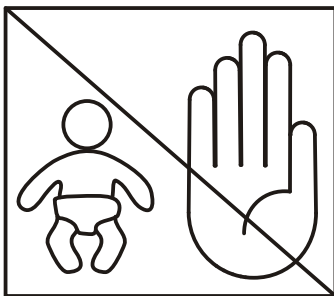
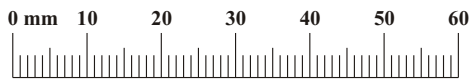


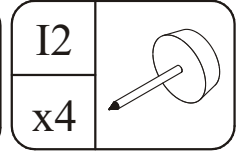
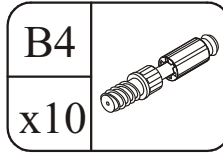
| NO | Dim. | | | Col.-No | Qty |
|----|------|-----|----|---------|-----|
| 1P | 960 | 640 | 18 | 1 | 1 |
| 1T | 960 | 640 | 18 | 1 | 1 |
| 2 | 2002 | 220 | 18 | 2 | 2 |
| 3 | 2002 | 100 | 18 | 2 | 1 |
| 4 | 902 | 80 | 18 | 1 | 2 |
| 5A | 1072 | 40 | 18 | 2 | 2 |
| 5B | 440 | 40 | 18 | 2 | 4 |
| 6 | 1114 | 100 | 18 | 1 | 1 |
| 7 | 1114 | 452 | 18 | 1 | 1 |
| 8 | 217 | 452 | 18 | 1 | 3 |

| NO | Dim. | | | Col.-No | Qty |
|-----|------|-----|----|---------|-----|
| 9 | 1108 | 244 | 3 | 1 | 1 |
| 10L | 450 | 198 | 18 | 1 | 2 |
| 10P | 450 | 198 | 18 | 1 | 2 |
| 11 | 389 | 198 | 18 | 1 | 2 |
| 12 | 446 | 230 | 16 | 1 | 1 |
| 13 | 446 | 230 | 16 | 1 | 1 |
| 14 | 432 | 80 | 18 | 1 | 2 |
| 15 | 400 | 445 | 3 | 1 | 2 |
| 16 | 425 | 384 | 18 | 1 | 1 |

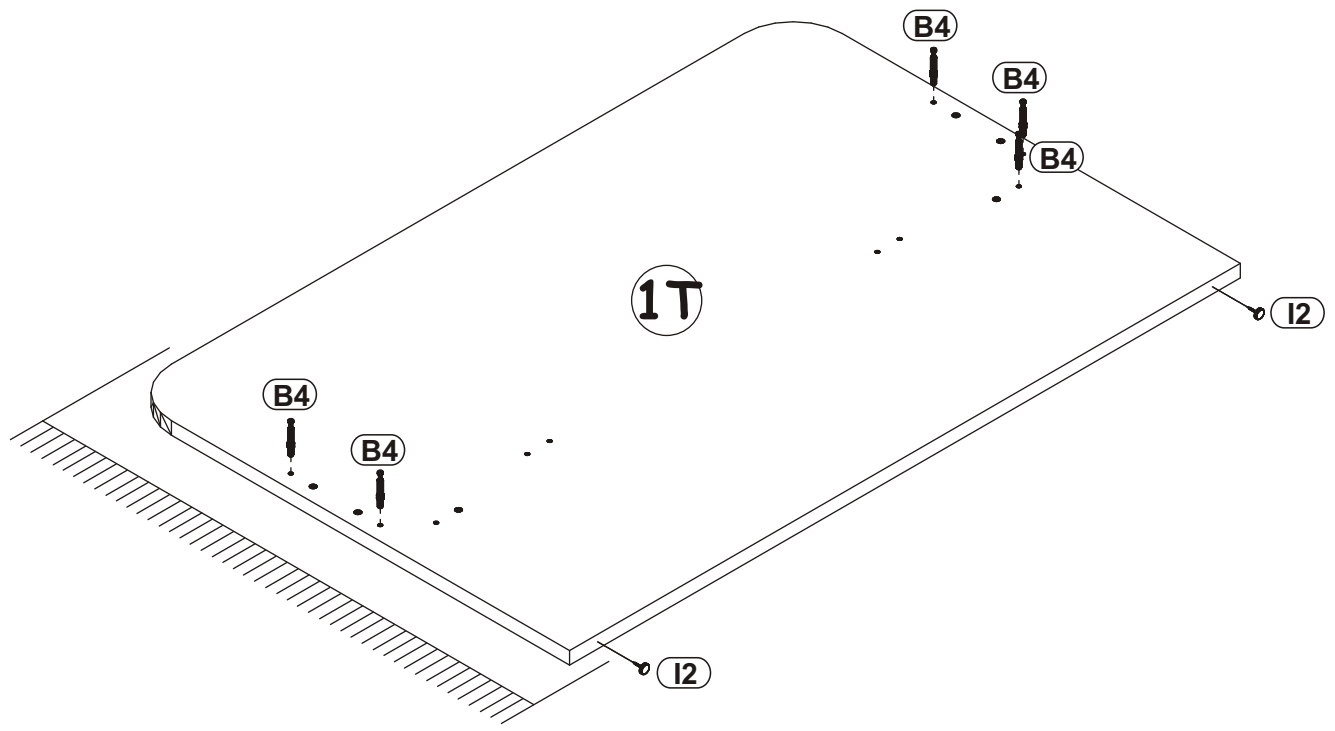
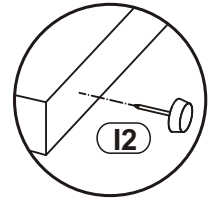
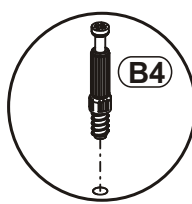
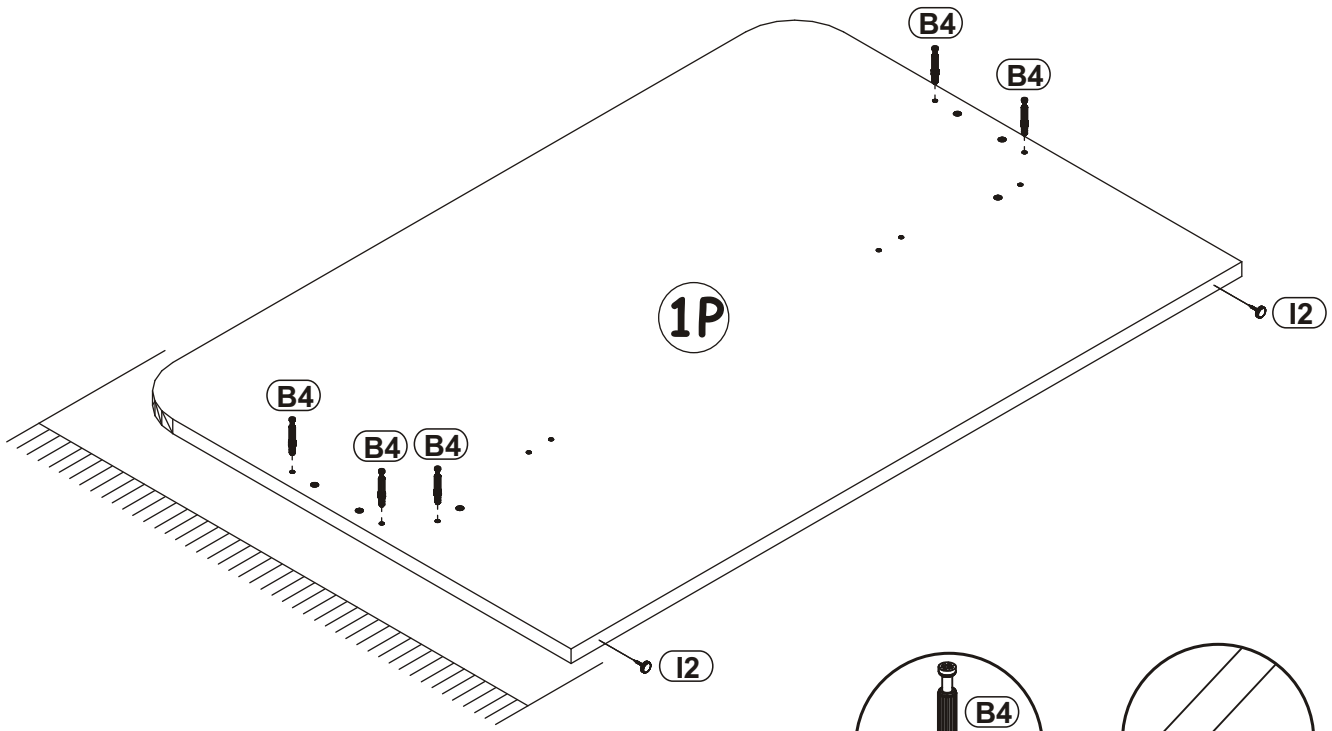
DINO TYP 4

| | | | | | |
|---|---|--|---|---|--|
| A1 x46  ø8x36 | B4 x22  | B5 x22  Ø15x12 | G5 x22  | B11 x20  Ø7x50 | G4 x20  |
| KL x2  L-128mm. | UP6 x20  UPØ4x30 | L4 x4  | EK1 x16  EKØ6,1x16 | B3 x28  Ø1,4x25 | G7 x4  |
| I11 x4  Ø45, h=15 | D11 x4  USØ3,5x25 | K1 x8  | UP9 x16  UPØ3,5x16 | I2 x4  | G2 x1  |



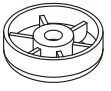
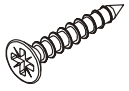


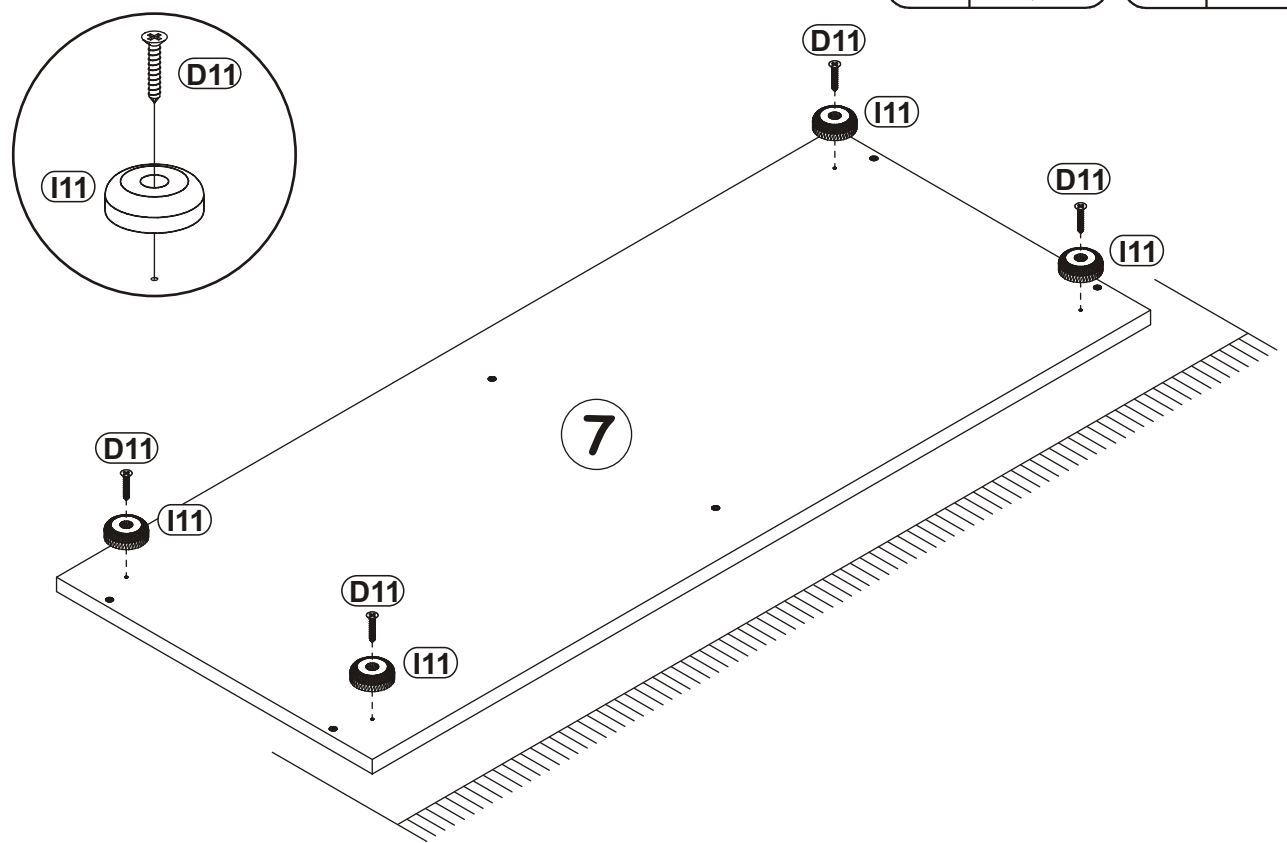
1



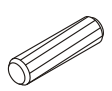
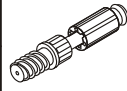

DINO TYP 4

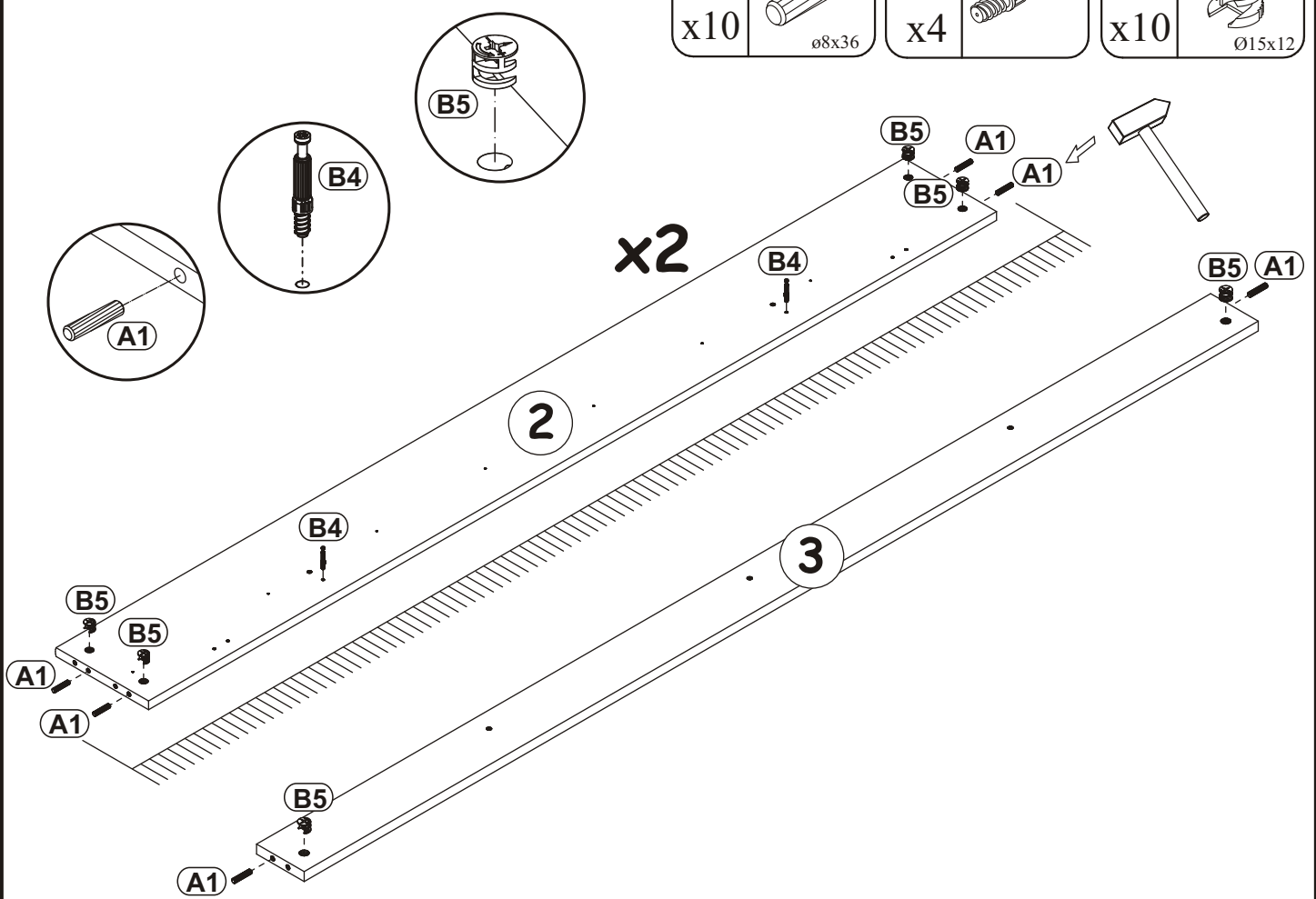
2

| | | | |
|-----|---|-----|---|
| I11 |  | D11 |  |
| x4 | Ø45, h=15 | x4 | USØ3,5x25 |



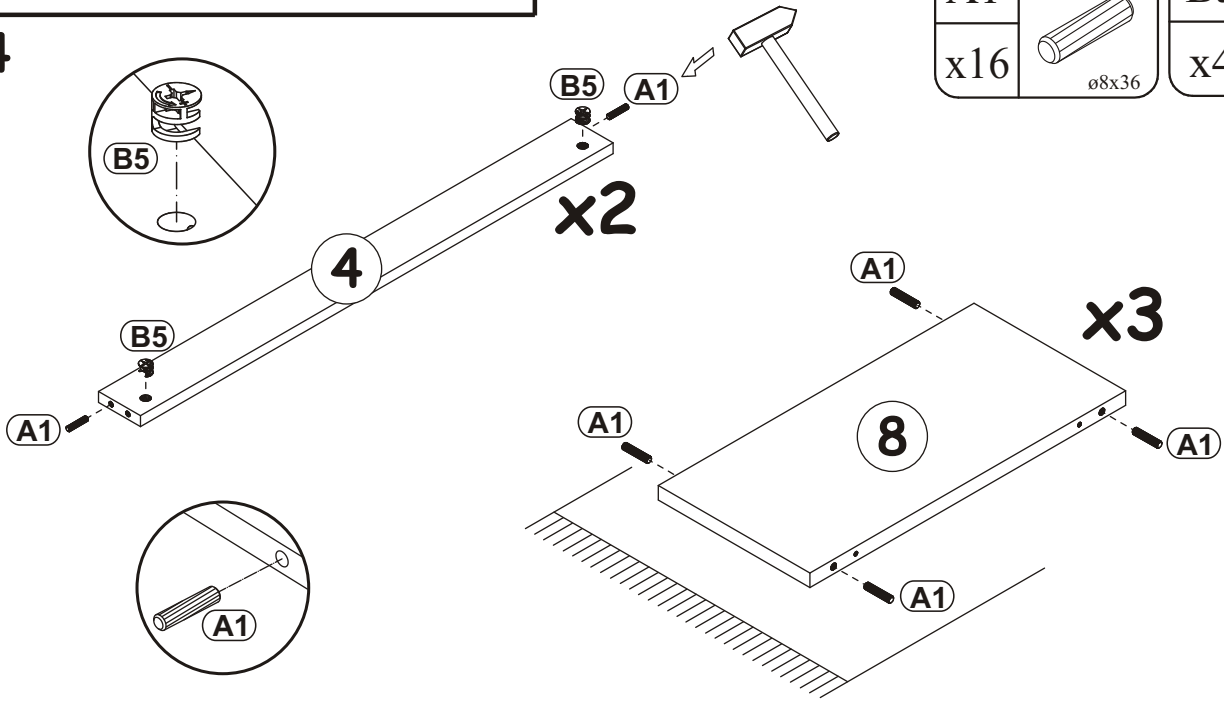
3

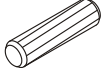
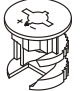
| | | | | | |
|-----|--|----|---|-----|---|
| A1 |  | B4 |  | B5 |  |
| x10 | ø8x36 | x4 | | x10 | Ø15x12 |



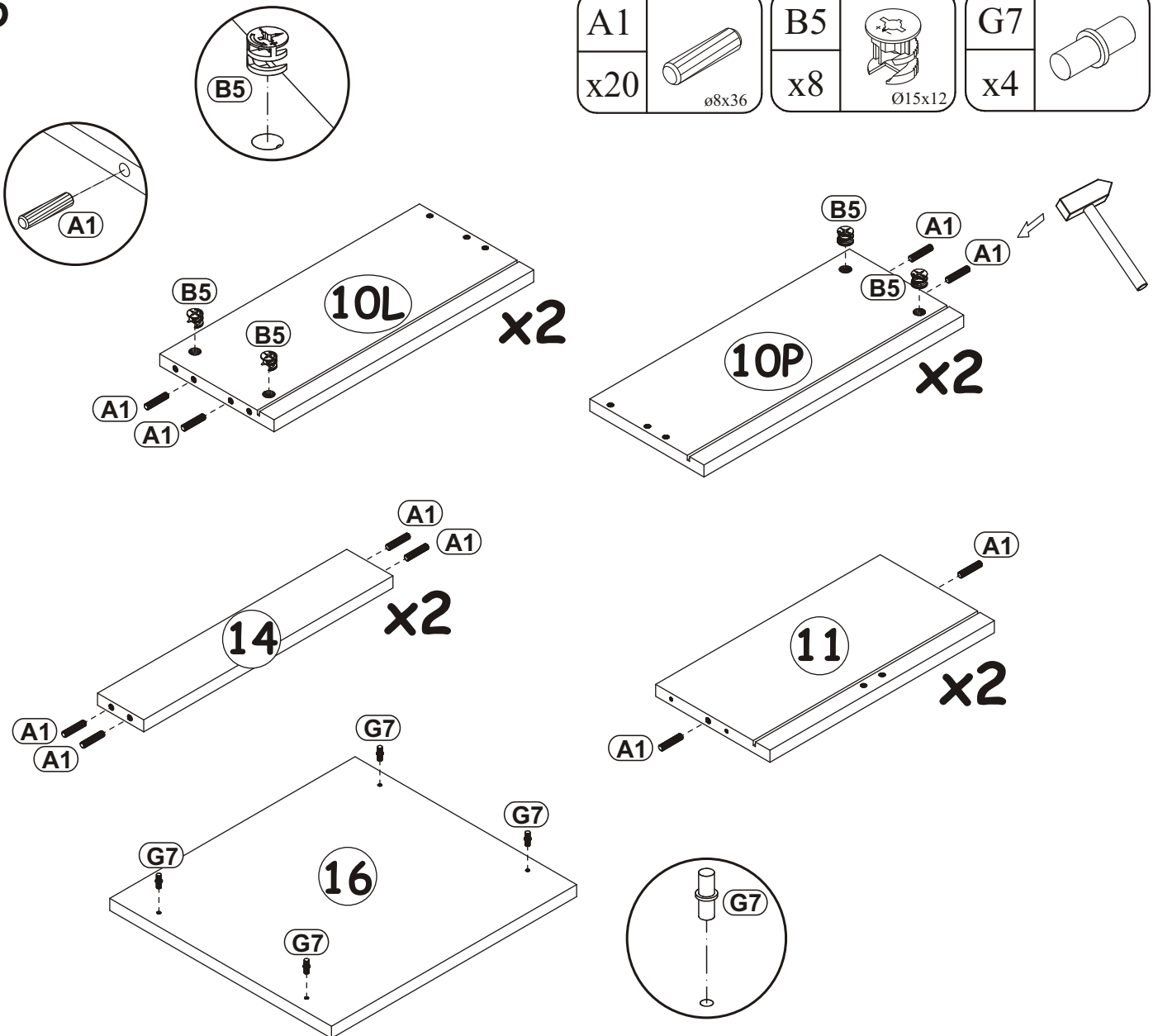
DINO TYP 4

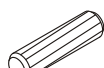


4



| | | | |
|-----|---|----|---|
| A1 |  | B5 |  |
| x16 | ø8x36 | x4 | Ø15x12 |

5

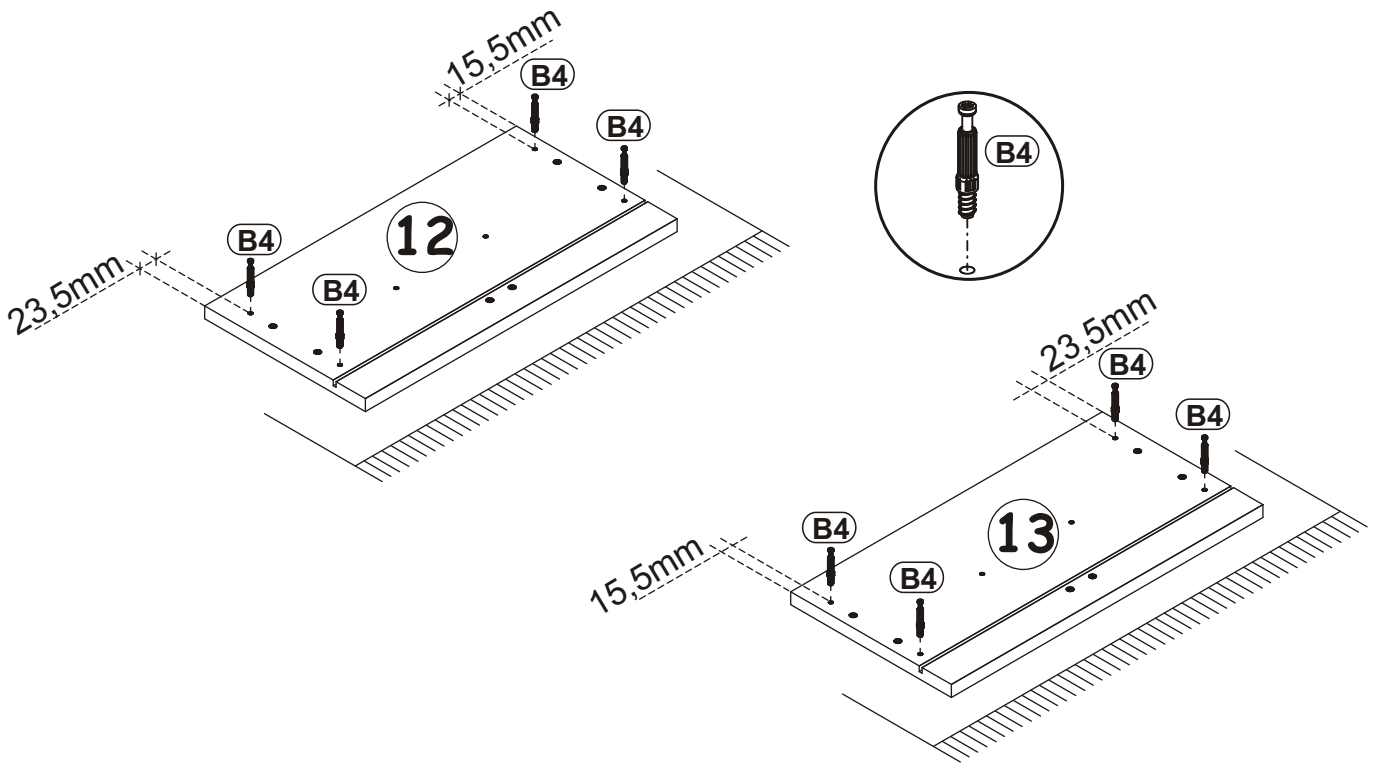
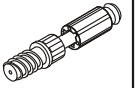


| | | | | | |
|-----|--|----|---|----|---|
| A1 |  | B5 |  | G7 |  |
| x20 | ø8x36 | x8 | Ø15x12 | x4 | |

6

B4

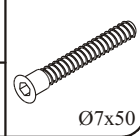
x8



7

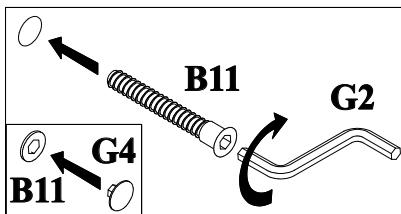
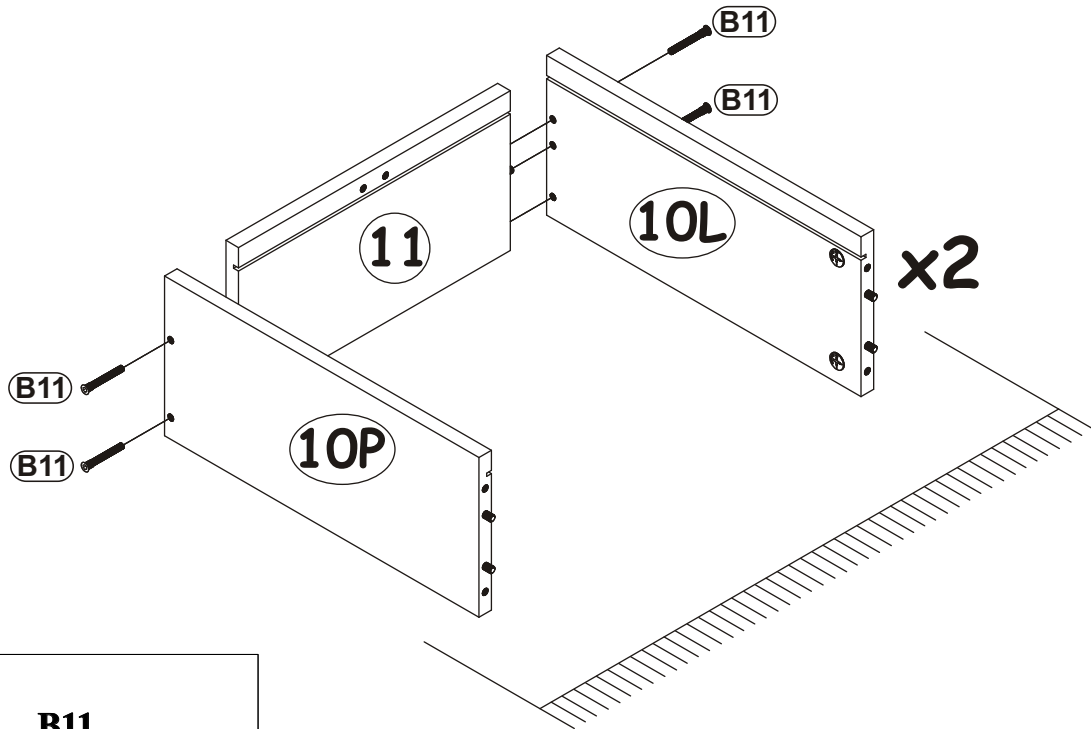
B11

x8

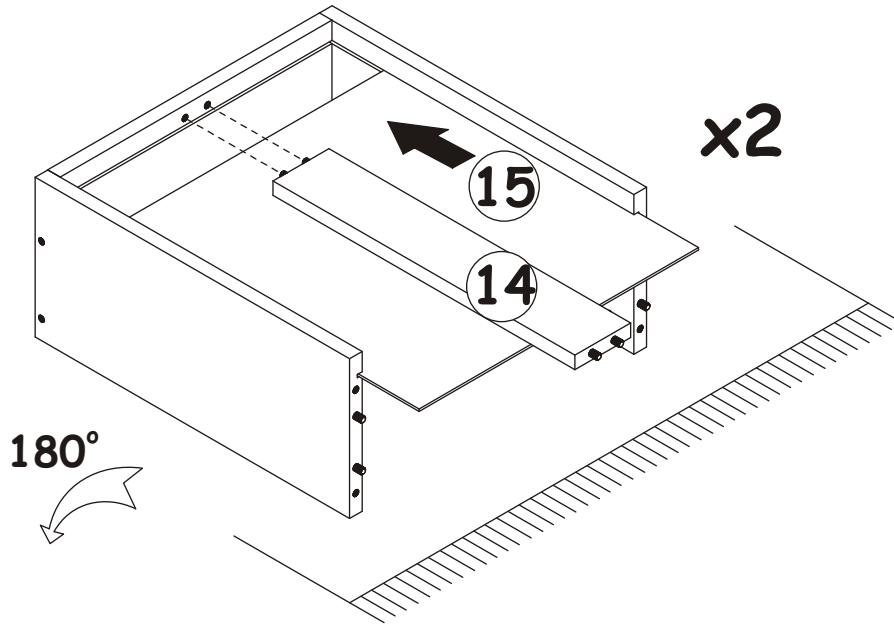


G4

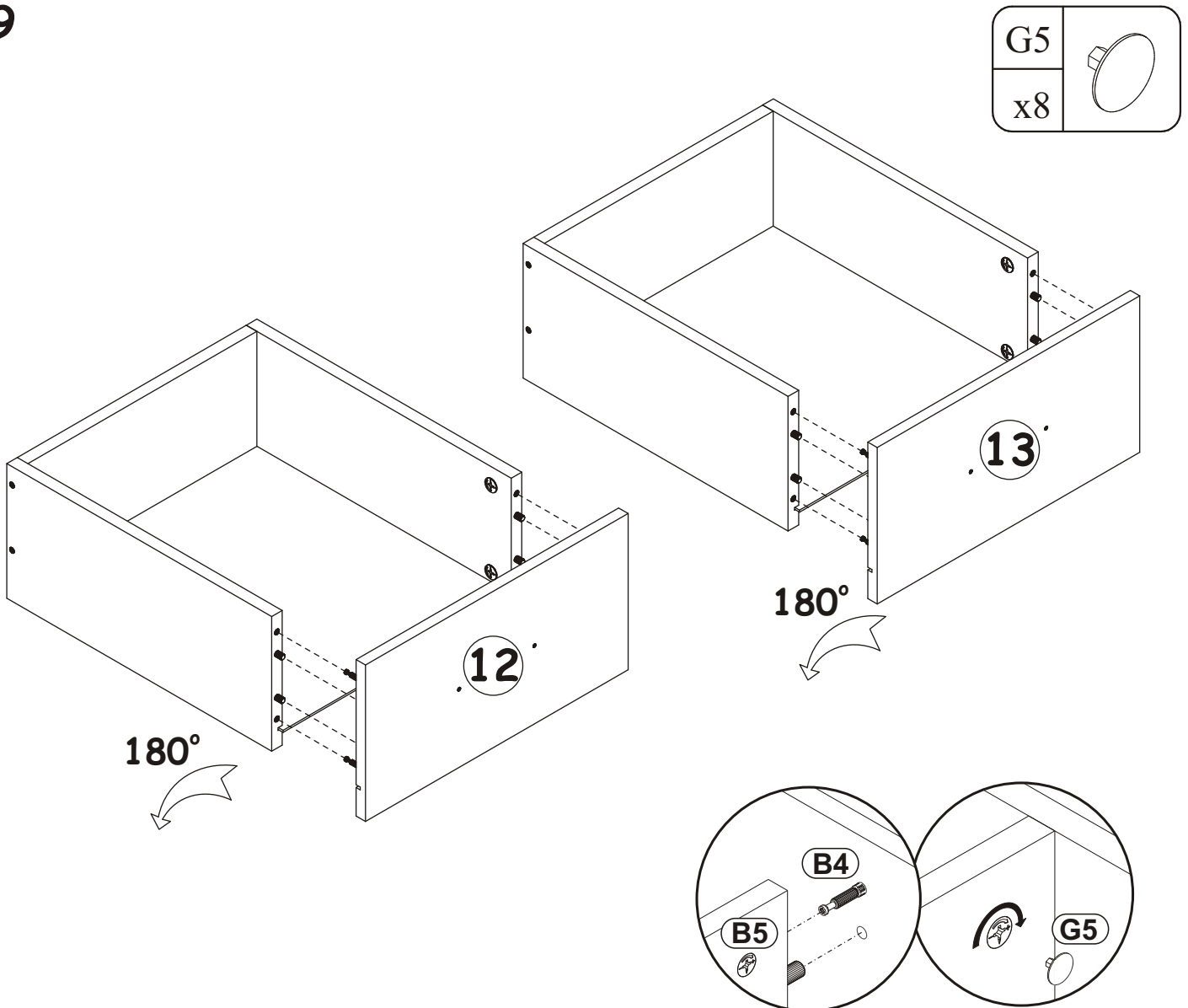
x8



8

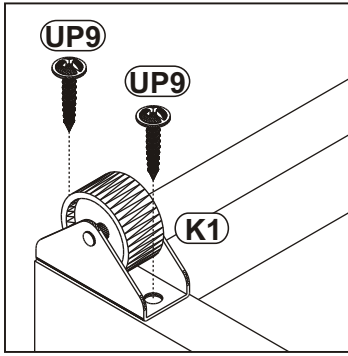


9

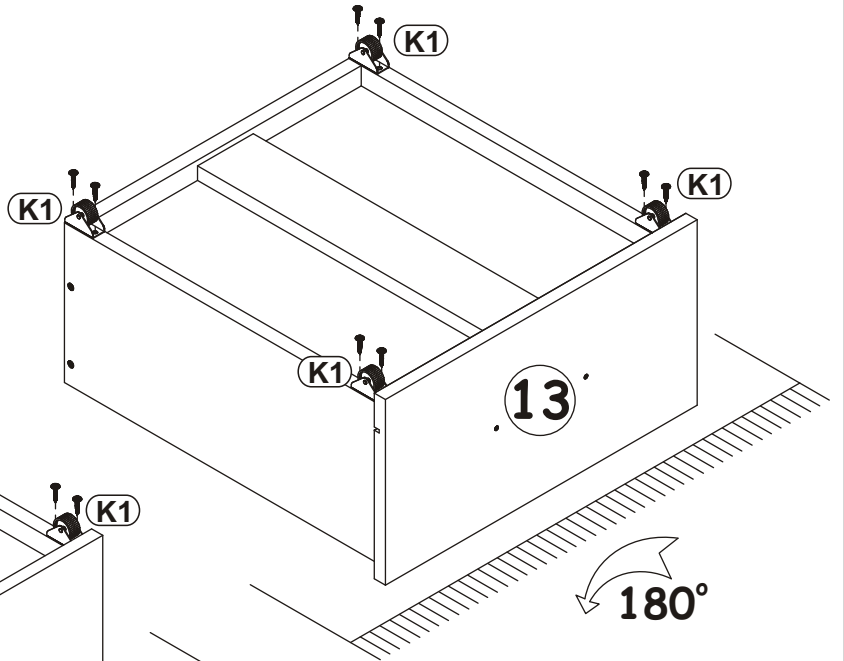
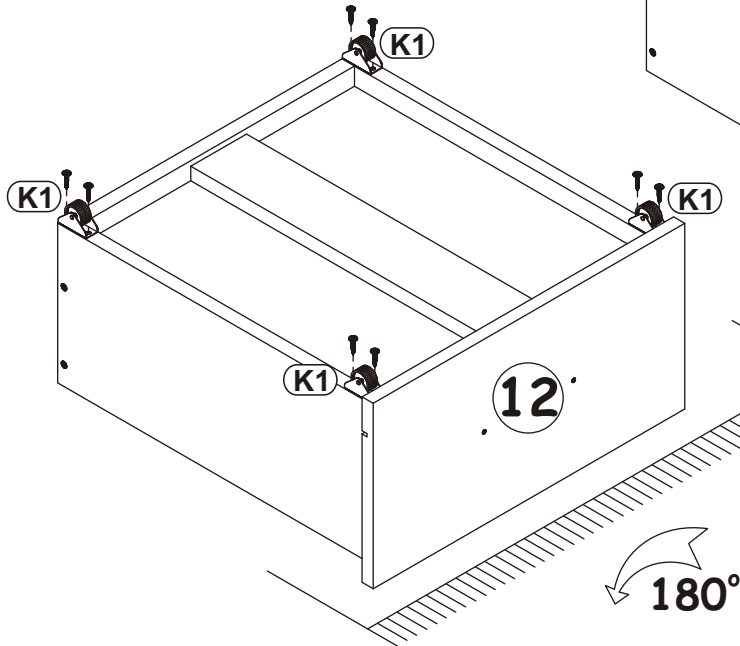


DINO TYP4


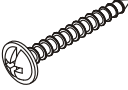
10

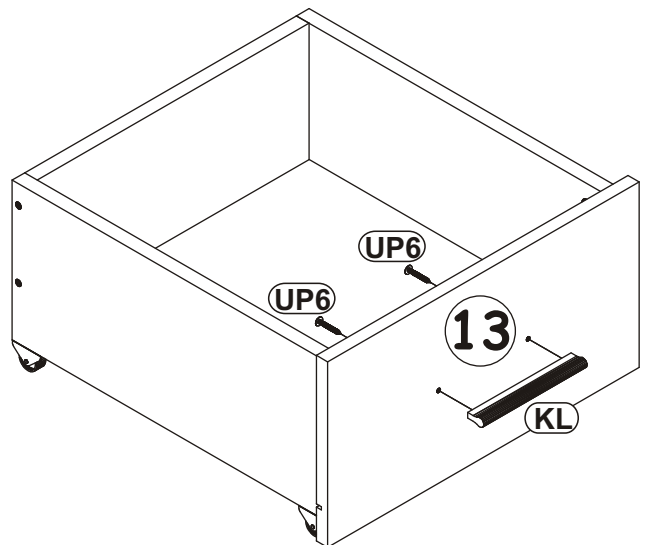
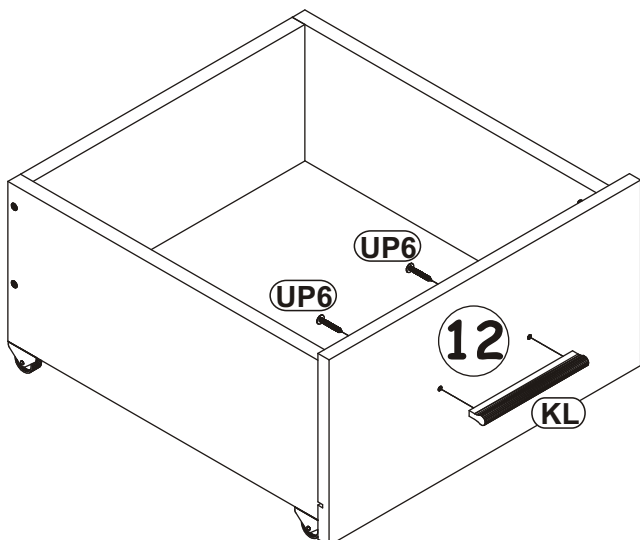


| | | | |
|----|---|-----|---|
| K1 |  | UP9 |  |
| x8 | | x16 | UPØ3,5x16 |

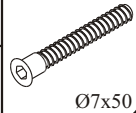



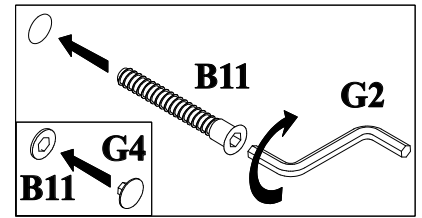
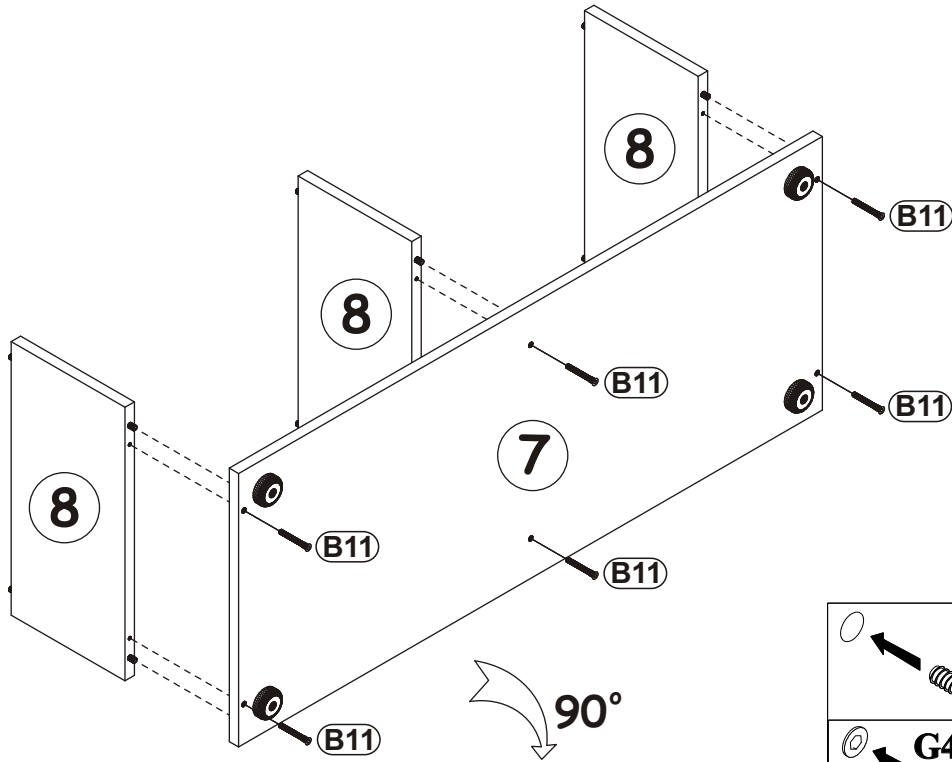
11

| | | | |
|----|---|-----|---|
| KL |  | UP6 |  |
| x2 | L-128mm. | x4 | UPØ4x30 |

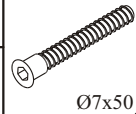



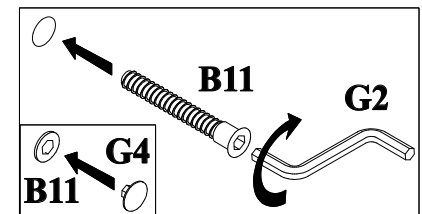
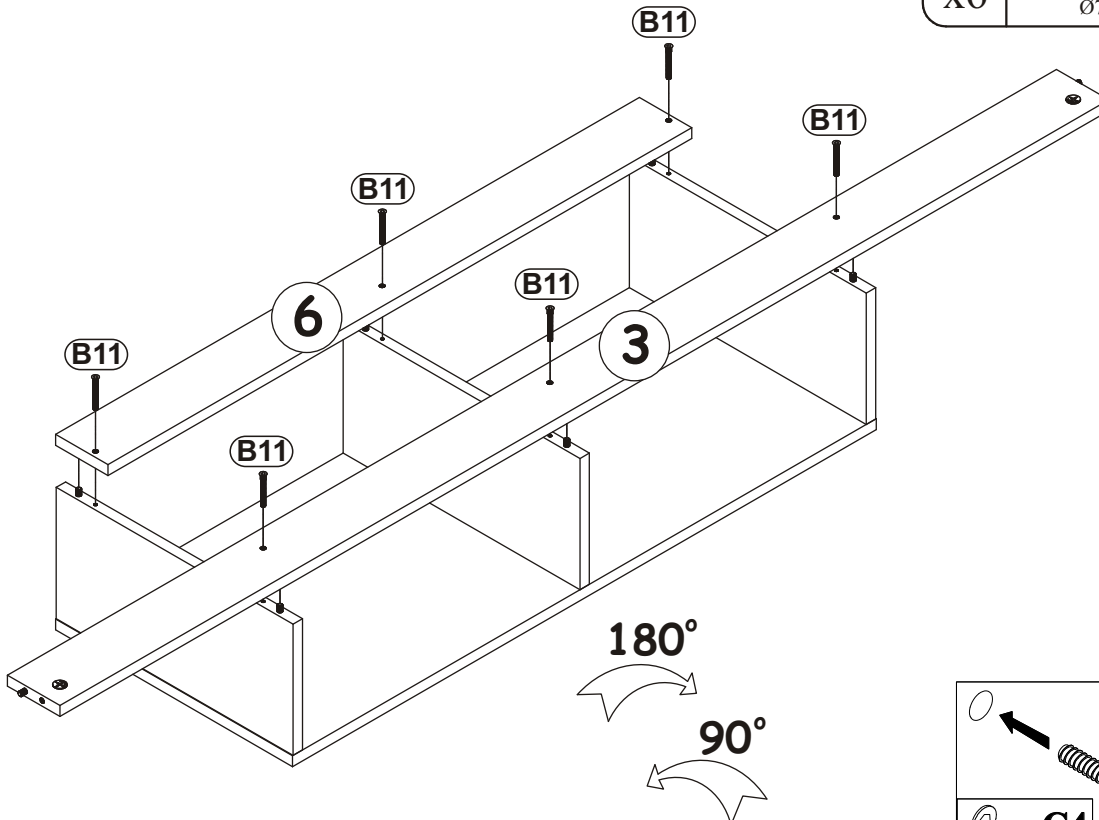
12

| | | | |
|-----|---|-------|---|
| B11 |  | G4 |  |
| x6 | | Ø7x50 | |




13

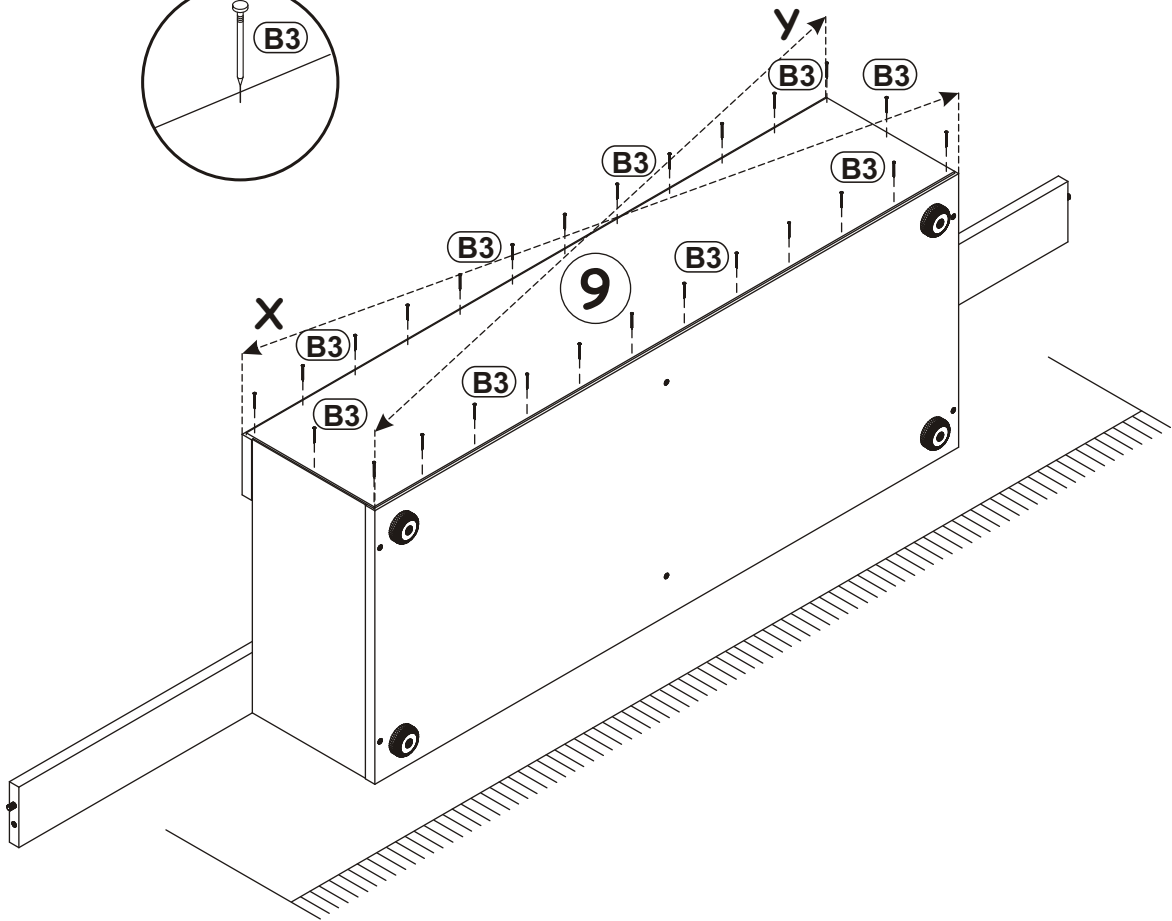
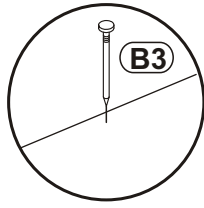
| | | | |
|-----|---|-------|---|
| B11 |  | G4 |  |
| x6 | | Ø7x50 | |



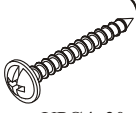


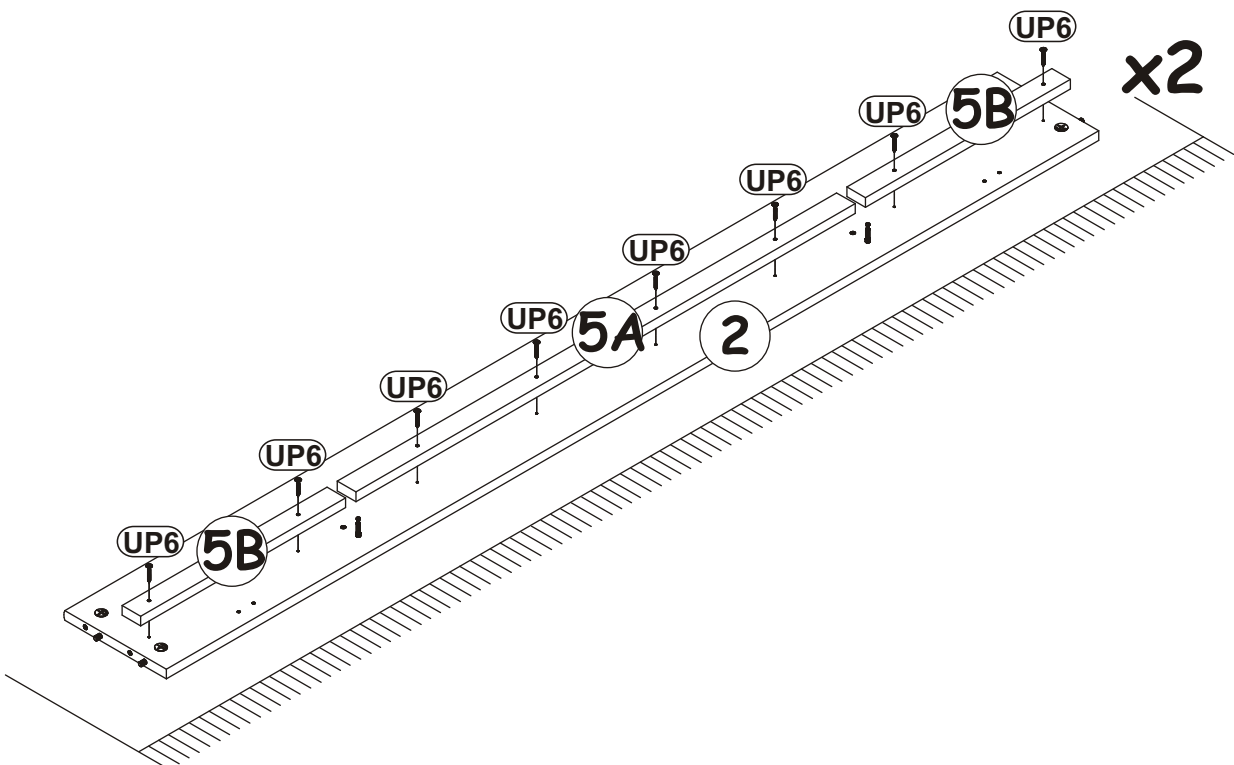
| | |
|-----|--|
| B3 |  Ø1,4x25 |
| x28 | |

14

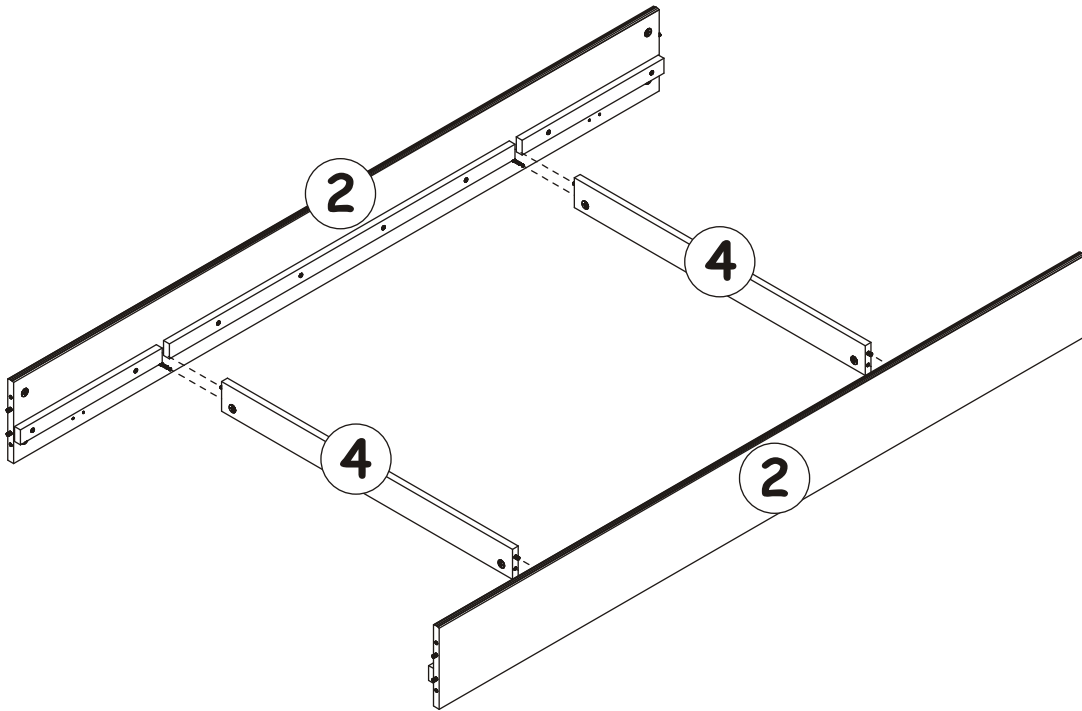
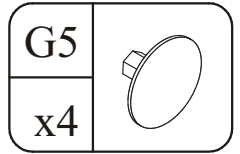


15

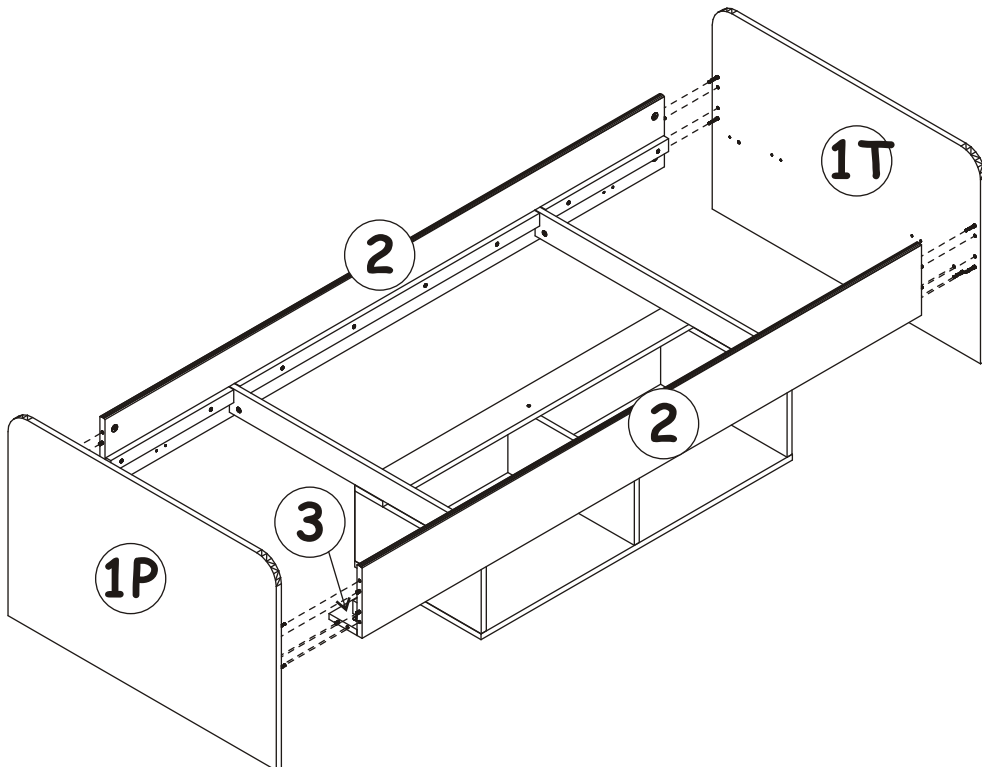
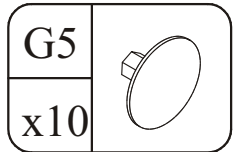
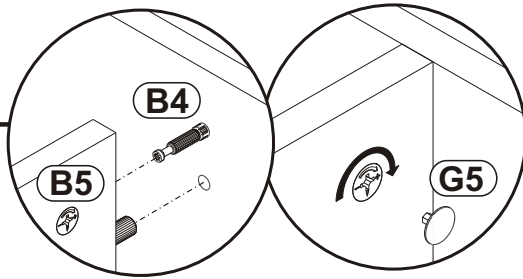
| | |
|-----|--|
| UP6 |  UPØ4x30 |
| x16 | |



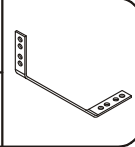
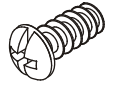
16

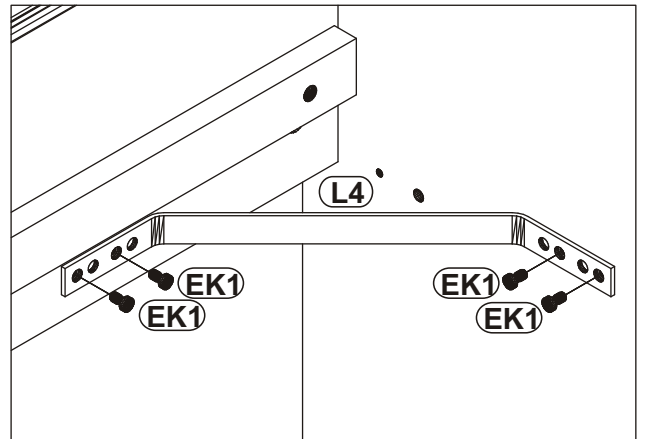
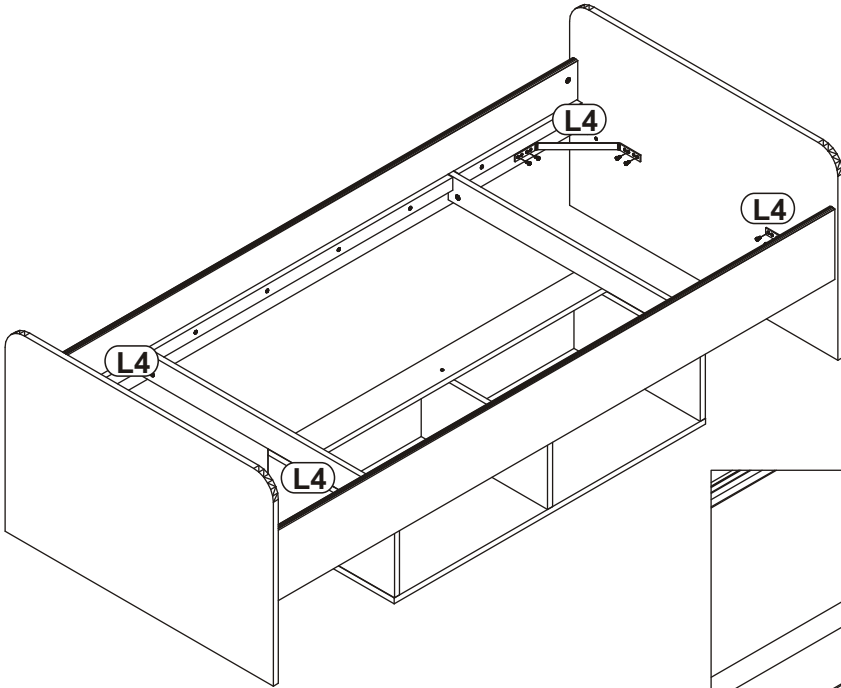


17

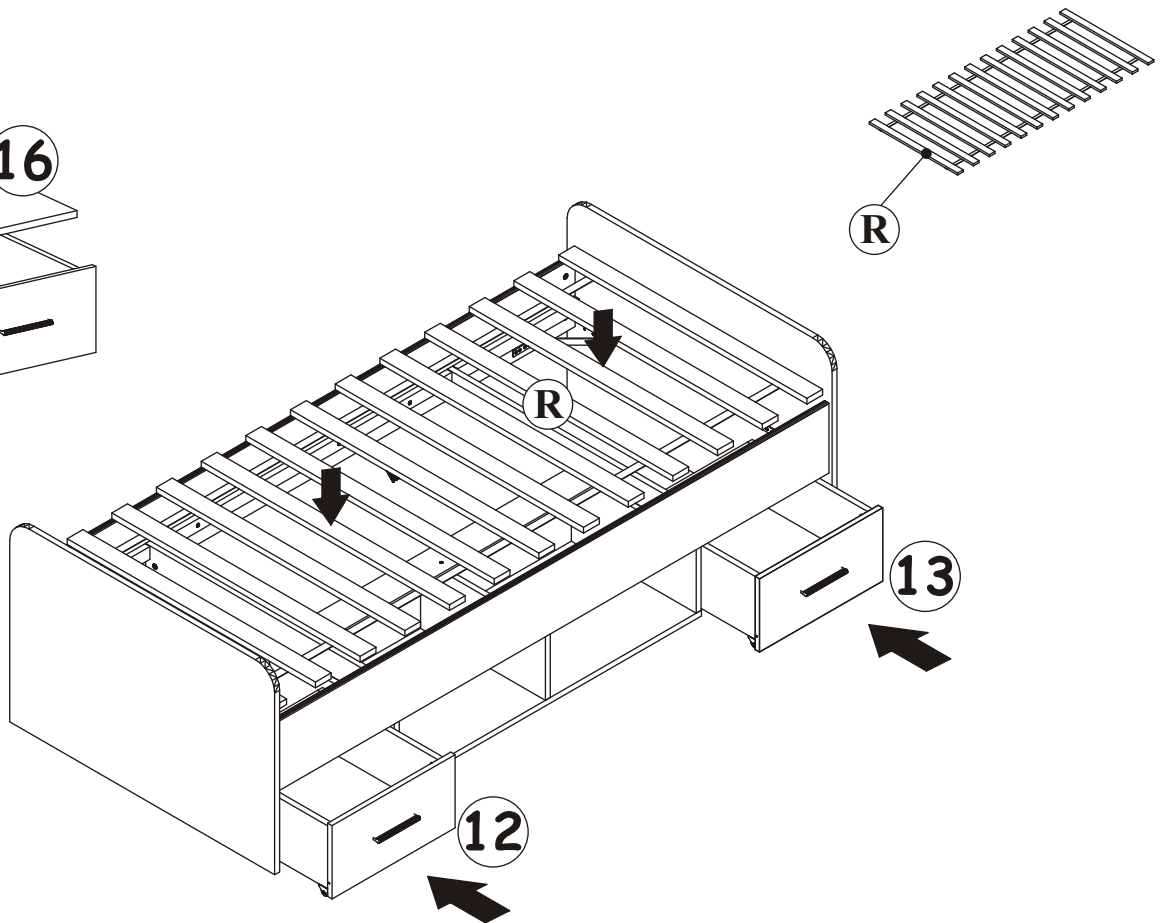
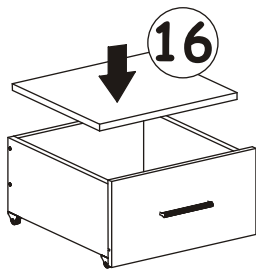


18

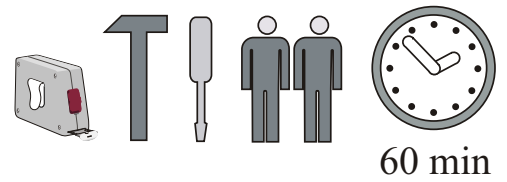
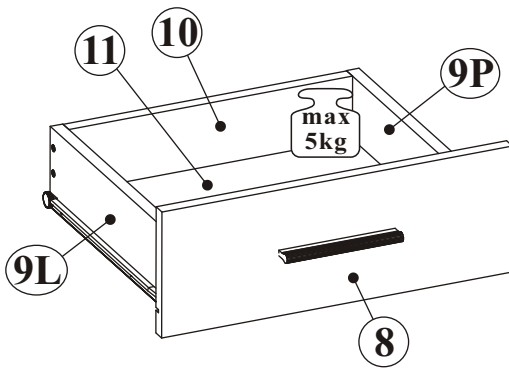
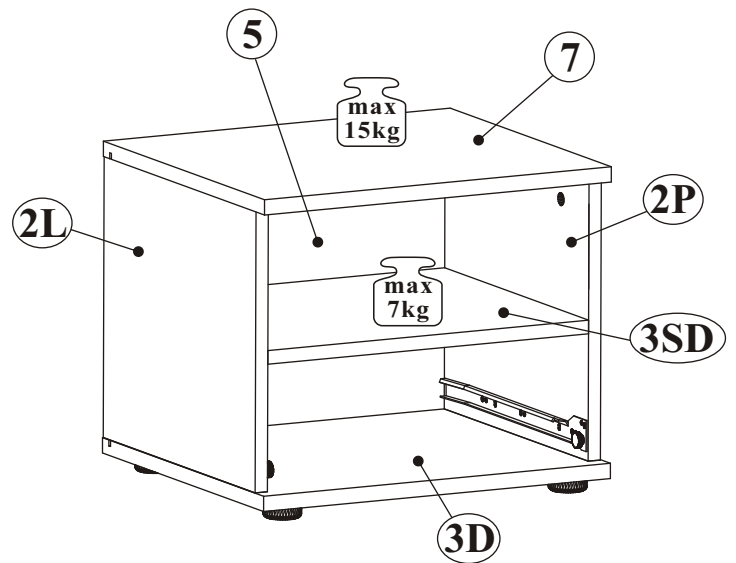
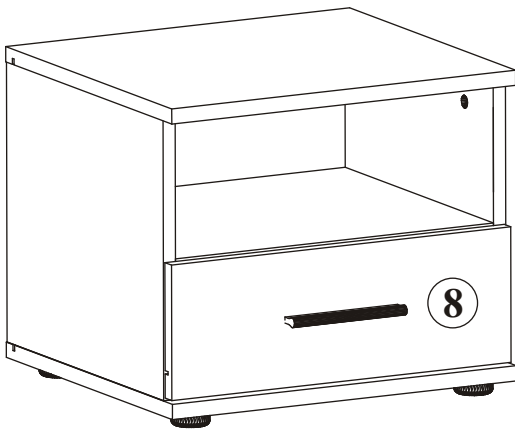
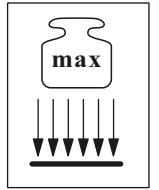
| | | | |
|----|--|-----|---|
| L4 |  | EK1 |  |
| x4 | | x16 | EKØ6,1x16 |



19

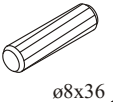
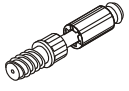
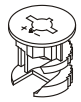



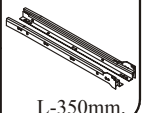



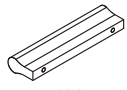
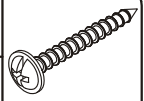
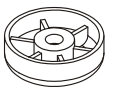

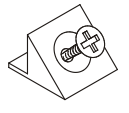



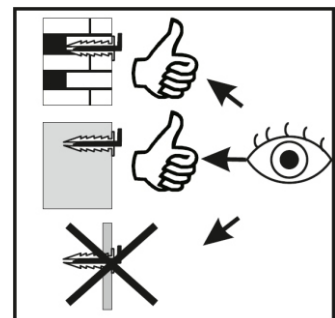
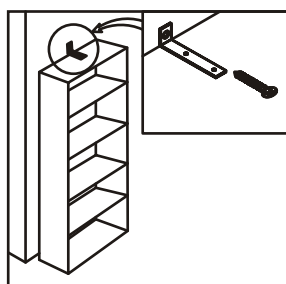
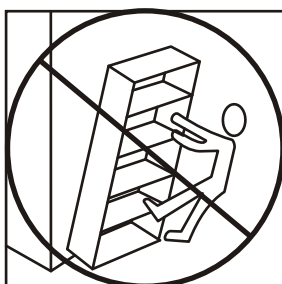
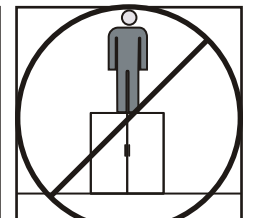
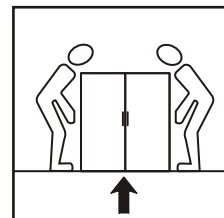
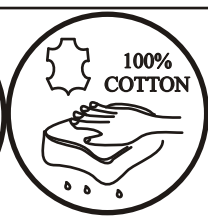
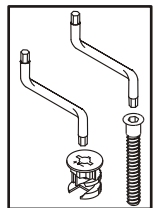
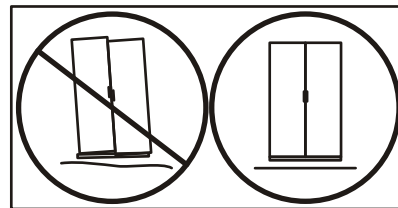
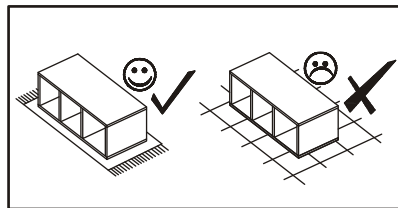
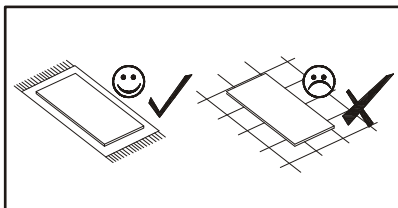
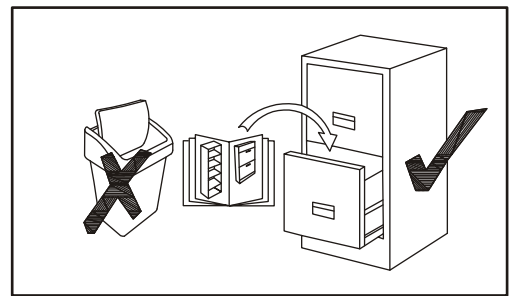
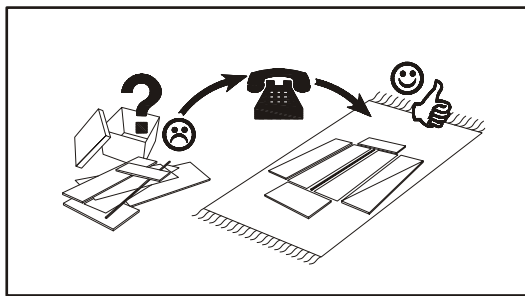
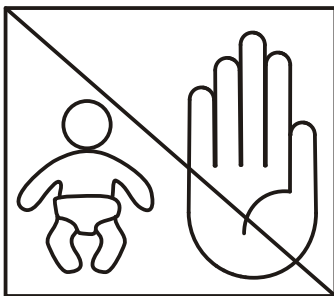
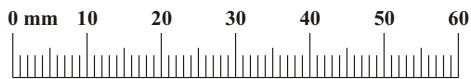
DINO TYP 5



| NO | Dim. | | | Col.-No | Qty |
|-----|------|-----|----|---------|-----|
| 2L | 331 | 380 | 16 | 1 | 1 |
| 2P | 331 | 380 | 16 | 1 | 1 |
| 3D | 452 | 403 | 18 | 1 | 1 |
| 3SD | 418 | 360 | 16 | 1 | 1 |
| 5 | 342 | 429 | 3 | 1 | 1 |
| 7 | 452 | 403 | 18 | 1 | 1 |
| 8 | 446 | 160 | 16 | 1 | 1 |
| 9L | 350 | 100 | 16 | 1 | 1 |
| 9P | 350 | 100 | 16 | 1 | 1 |
| 10 | 361 | 80 | 16 | 1 | 1 |
| 11 | 373 | 355 | 16 | 1 | 1 |

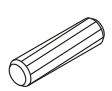
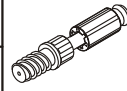
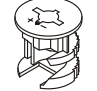


DINO TYP 5

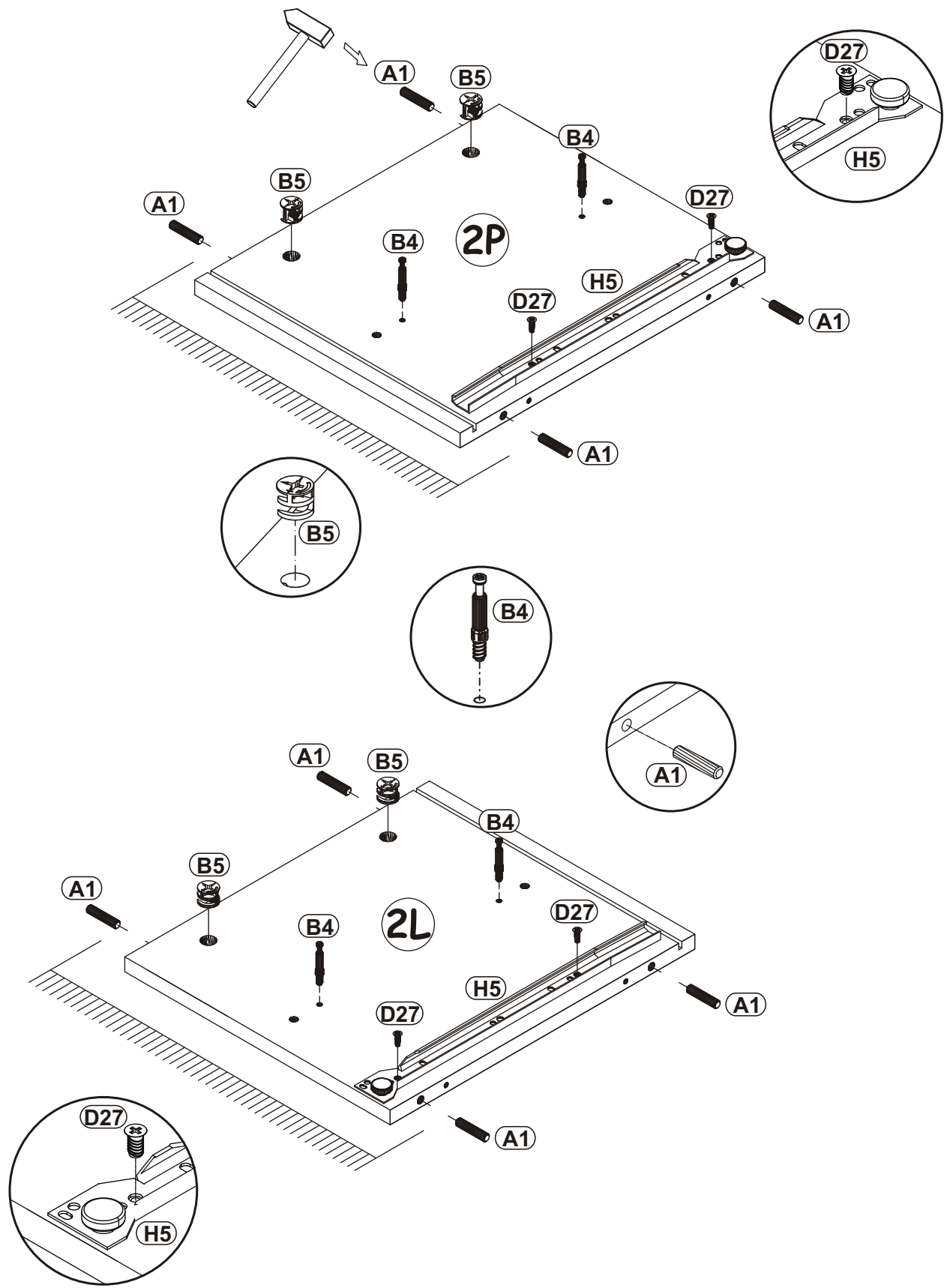
| | | | | | |
|---|---|--|--|---|---|
| A1 x14  ø8x36 | B4 x10  | B5 x10  Ø15x12 | G5 x10  | B11 x8  Ø7x50 | G4 x8  |
| H5 x1  L-350mm. | D27 x4  ESØ6x8 | B3 x4  Ø1,4x25 | D10 x4  USØ3,5x13 | KL x1  L-128mm. | UP6 x2  UPØ4x30 |
| I11 x4  Ø45, h=15 | D11 x4  USØ3,5x25 | S1 x4  | G2 x1  | | |



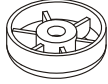

DINO TYP 5

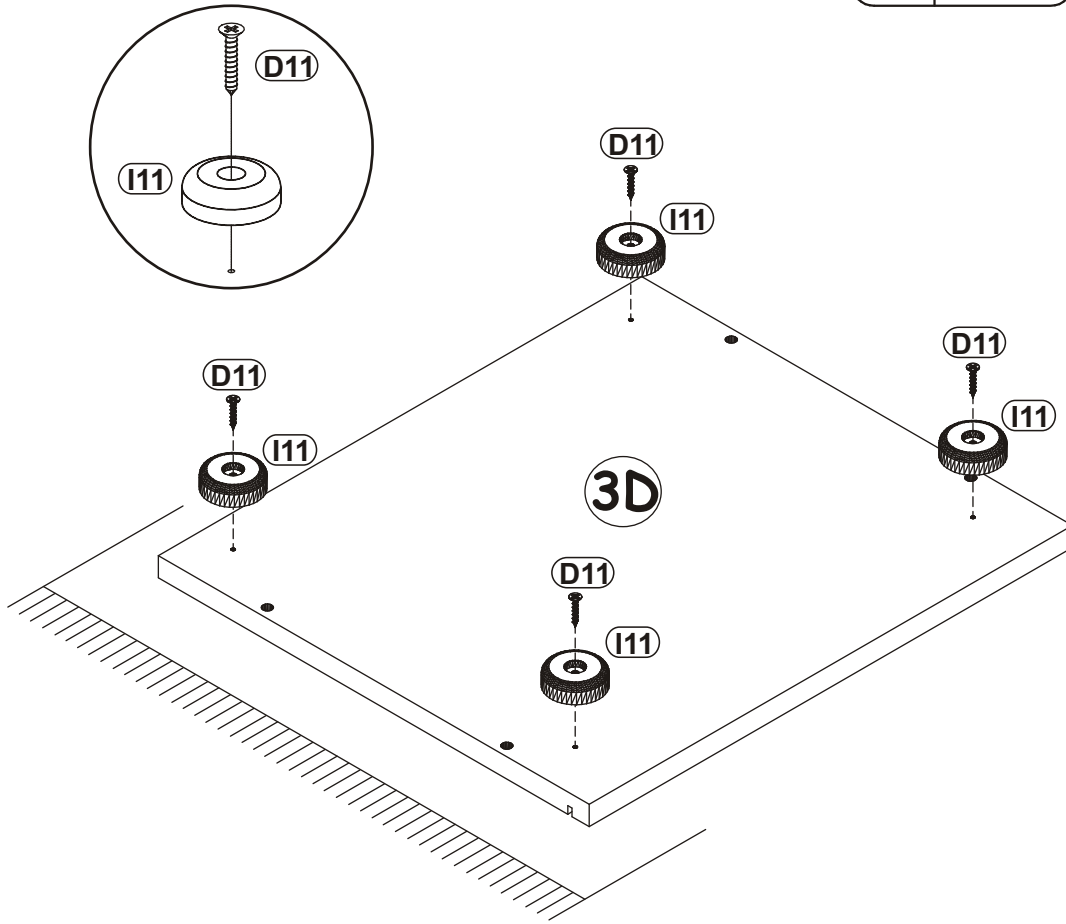
1

| | | | | | |
|----|---|-----|---|----|---|
| A1 |  | B4 |  | B5 |  |
| x8 | ø8x36 | x4 | | x4 | Ø15x12 |
| H5 |  | D27 |  | | |
| x1 | L-350mm. | x4 | ESØ6x8 | | |

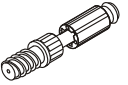


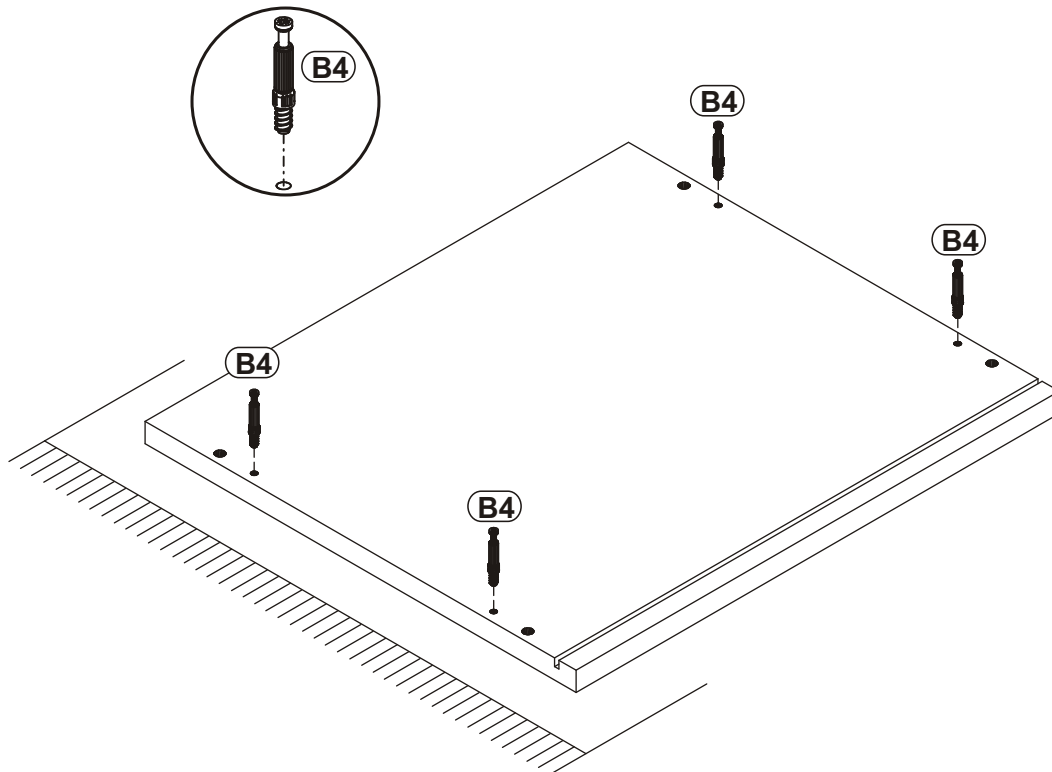
2

| | | | |
|-----|---|-----|---|
| I11 |  | D11 |  |
| x4 | Ø45, h=15 | x4 | USØ3,5x25 |

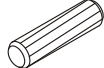


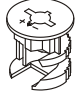
3

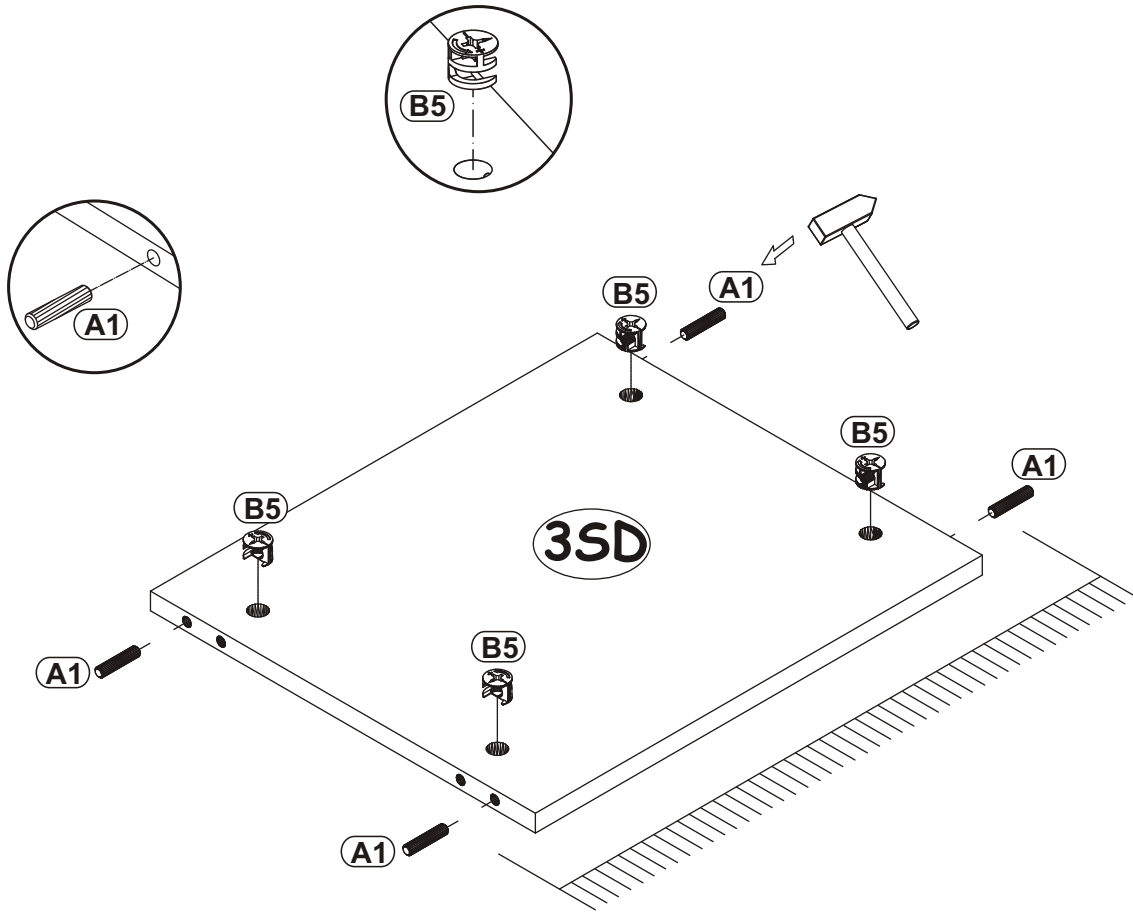
| | |
|----|---|
| B4 |  |
| x4 | |



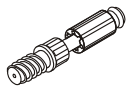
4

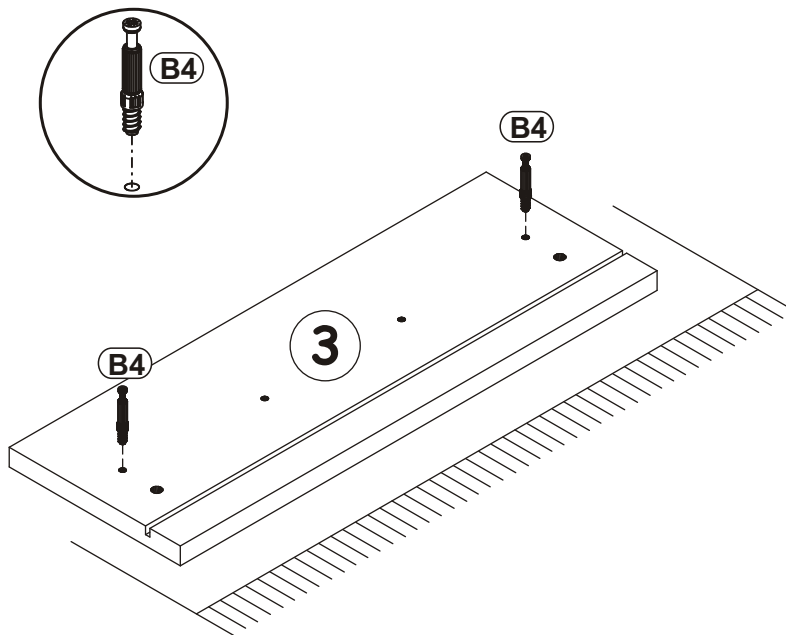
| | |
|----|---|
| A1 |  |
| x4 | ø8x36 |

| | |
|----|---|
| B5 |  |
| x4 | Ø15x12 |

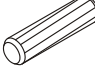



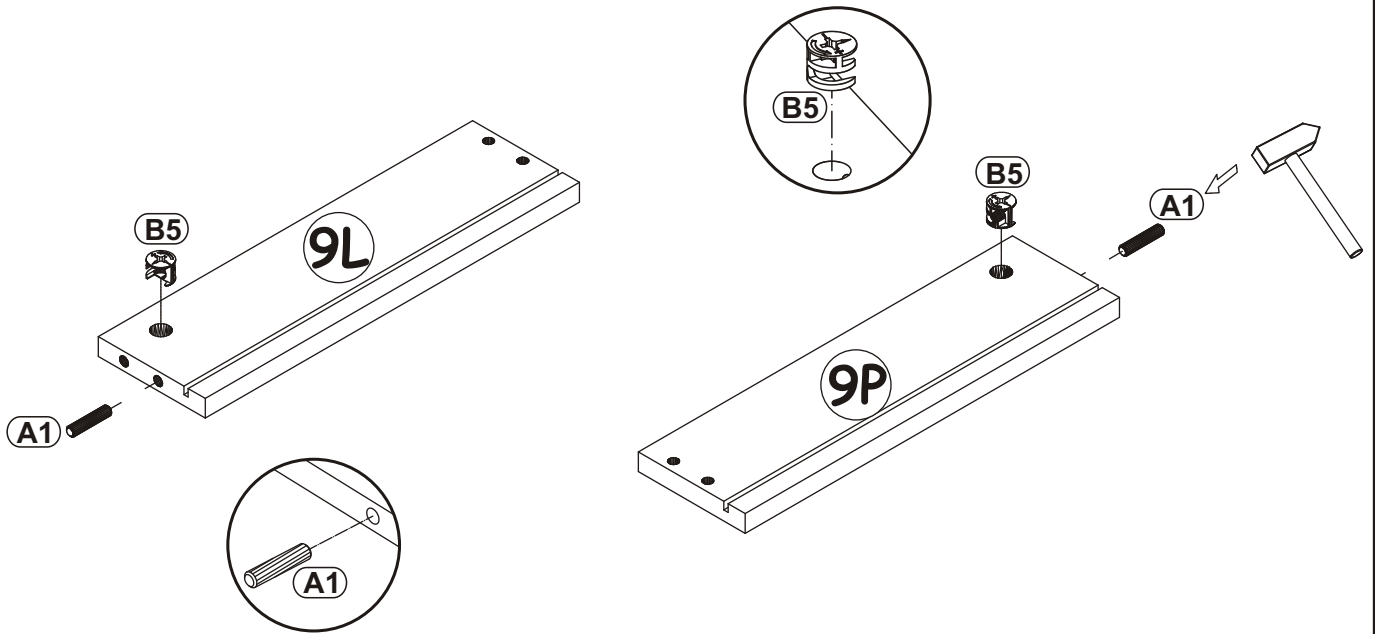
5

| | |
|----|---|
| B4 |  |
| x2 | |





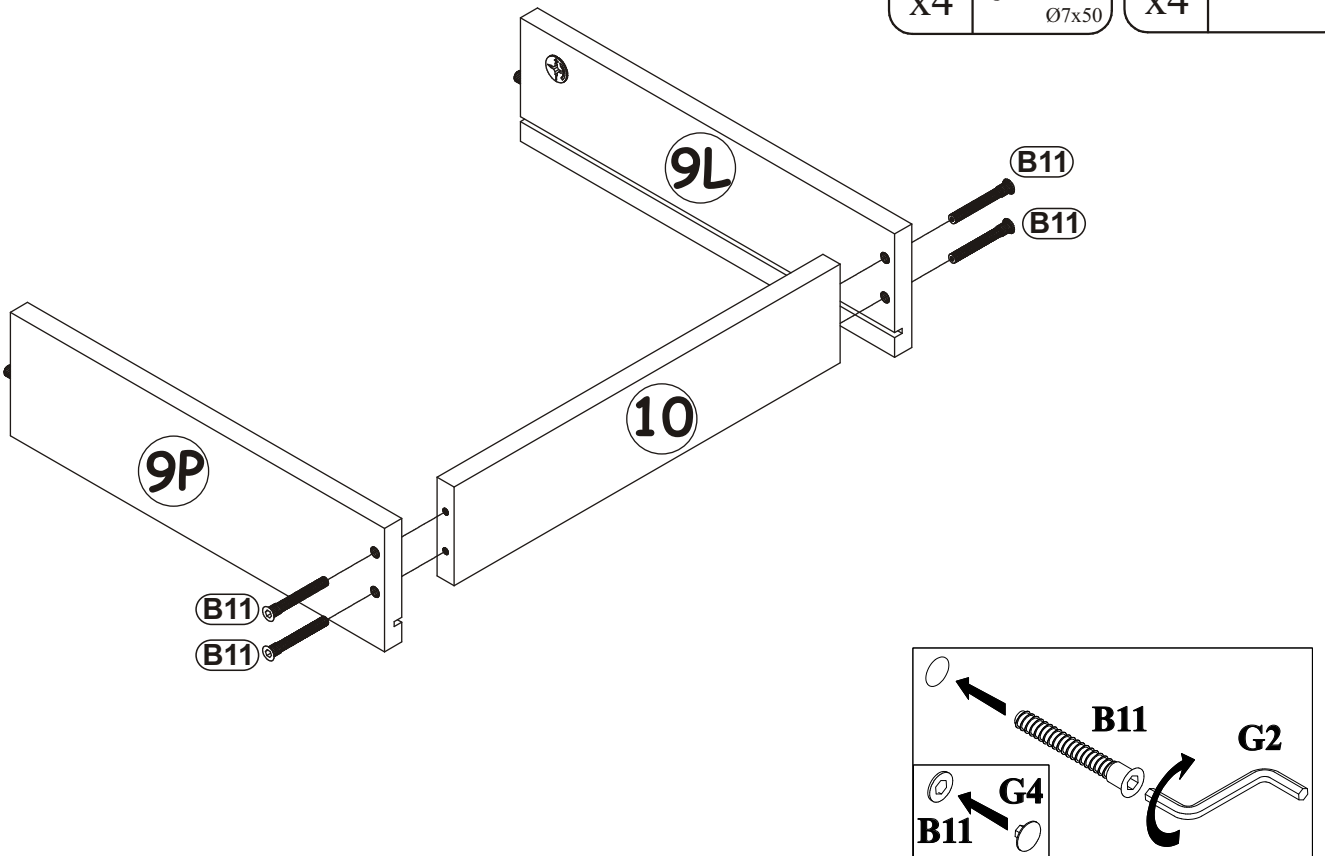
6

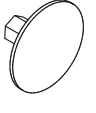
| | | | |
|----|---|----|---|
| A1 |  | B5 |  |
| x2 | ø8x36 | x2 | Ø15x12 |



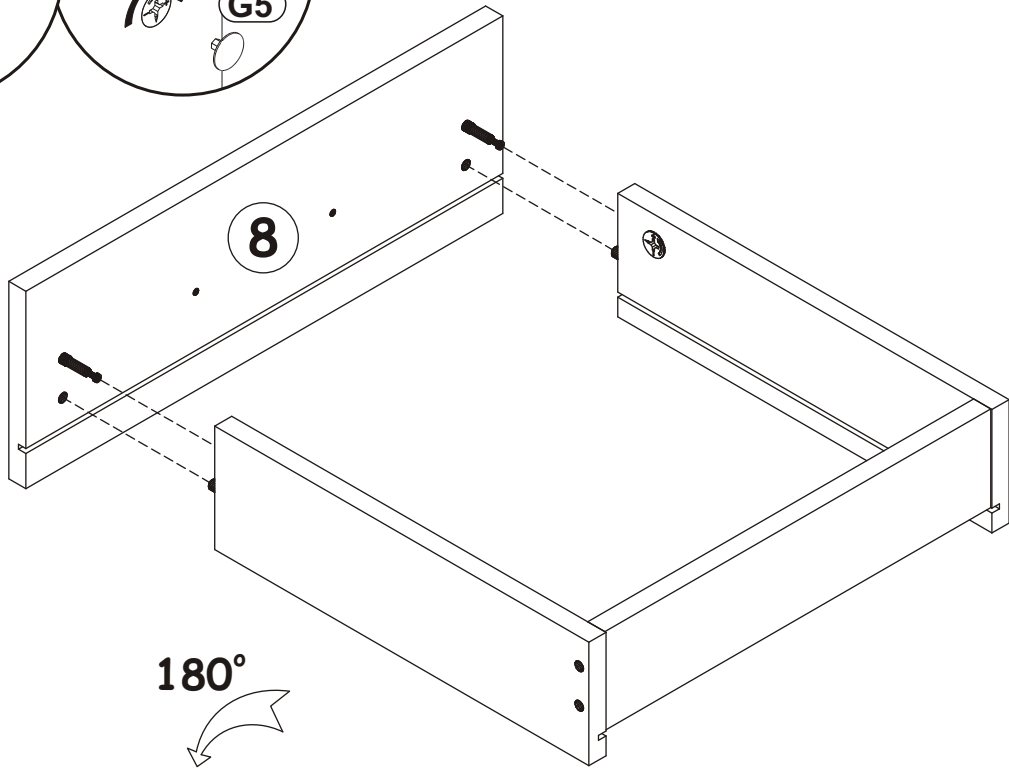
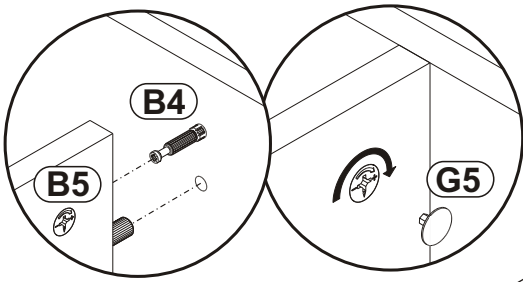
7

| | | | |
|-----|---|----|---|
| B11 |  | G4 |  |
| x4 | Ø7x50 | x4 | |

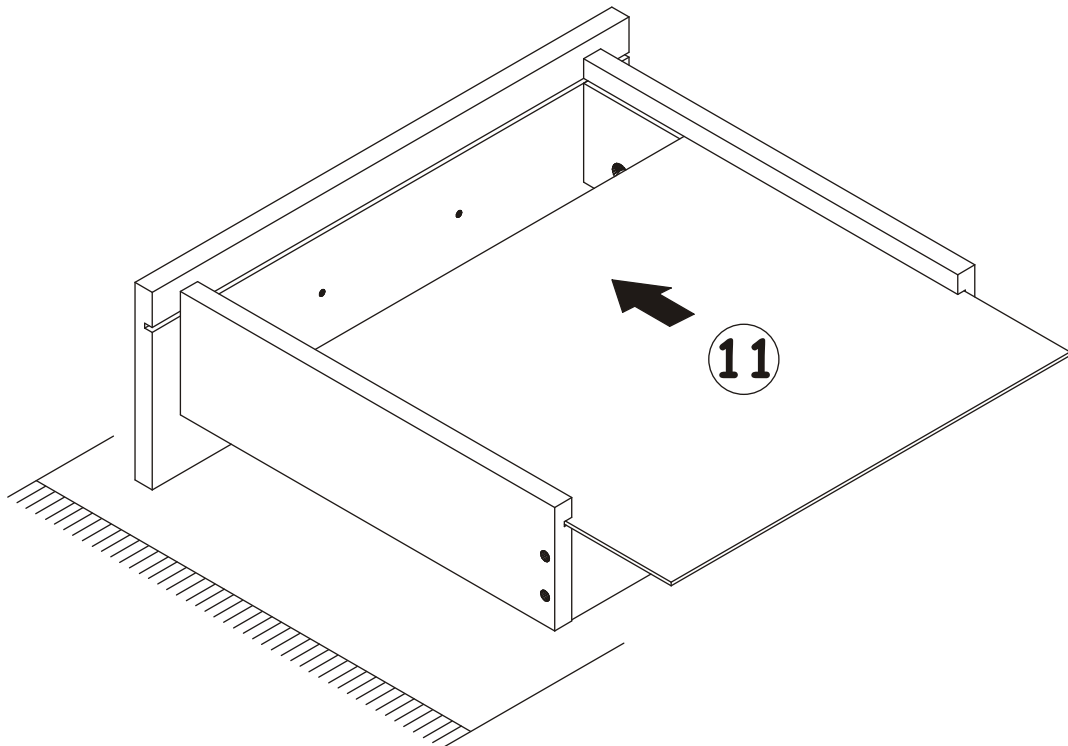


| | |
|----|---|
| G5 |  |
| x2 | |

8

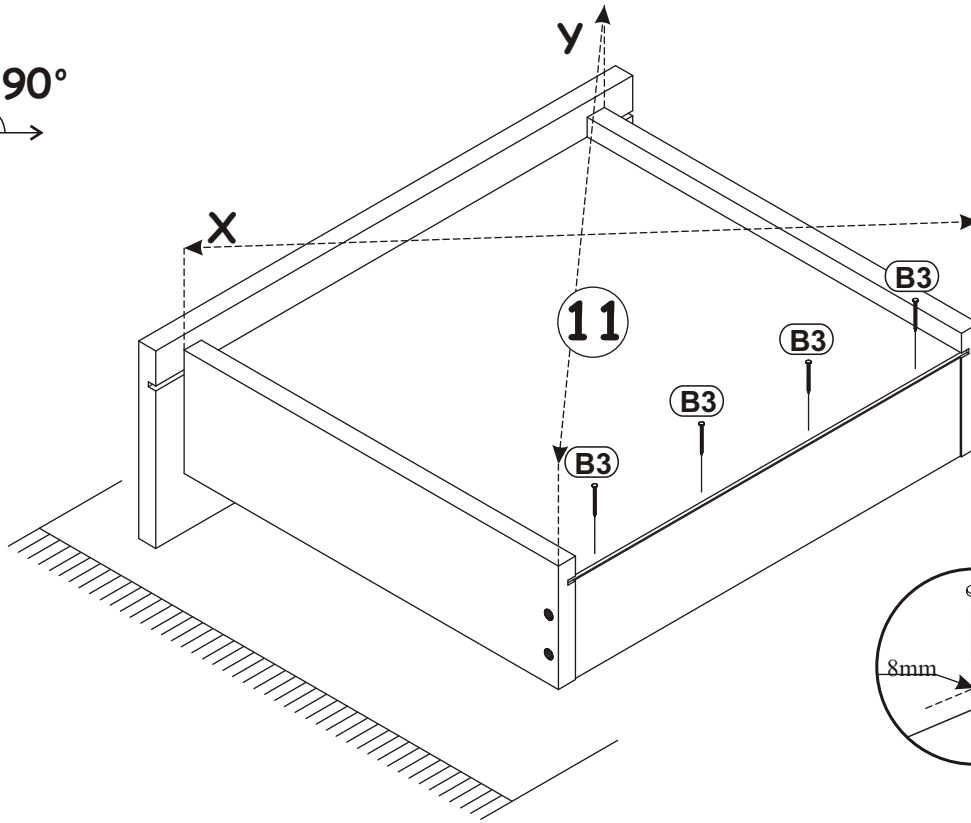


9



10

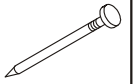
X=y 90°



B3

x4

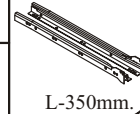
Ø1,4x25



11

H5

x1



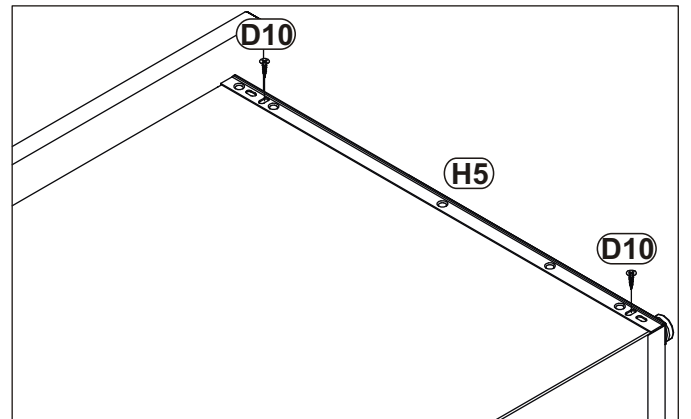
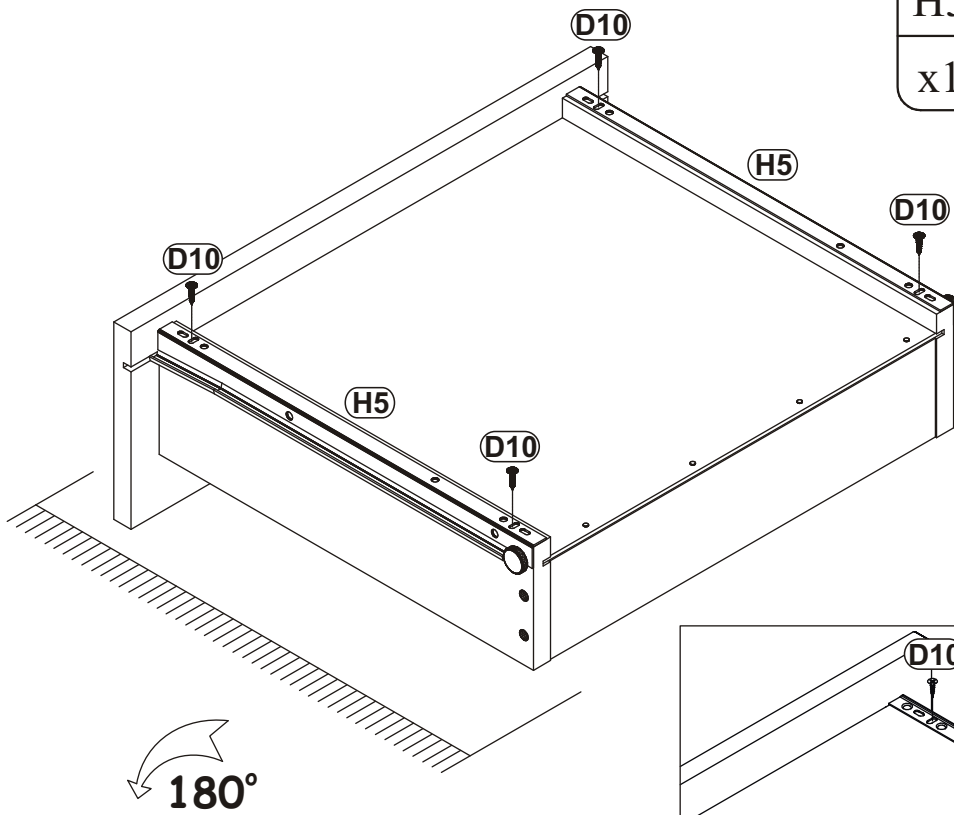
L-350mm.

D10

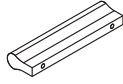
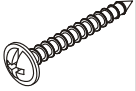
x4

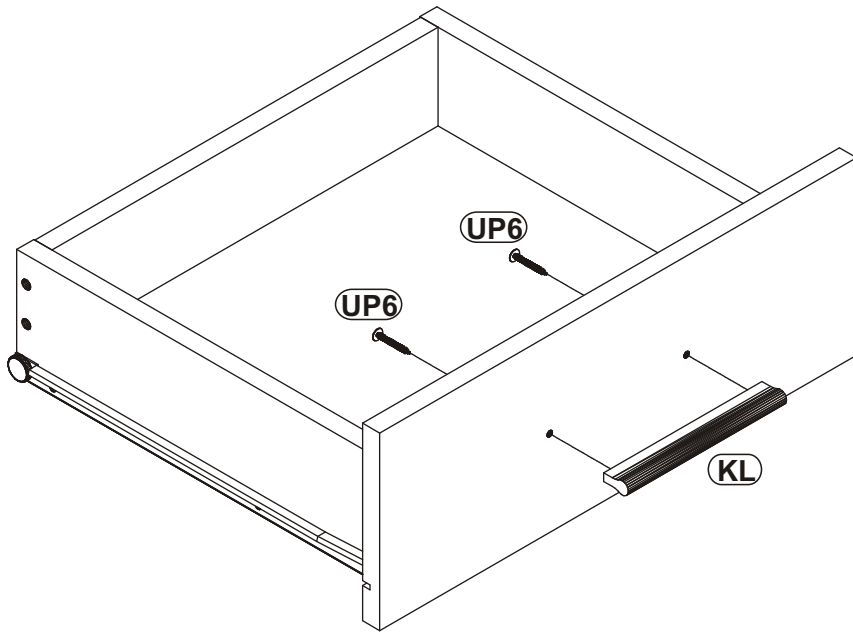


USØ3,5x13




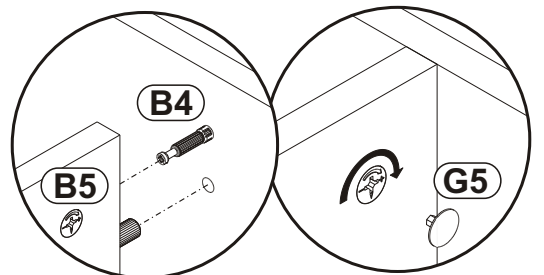
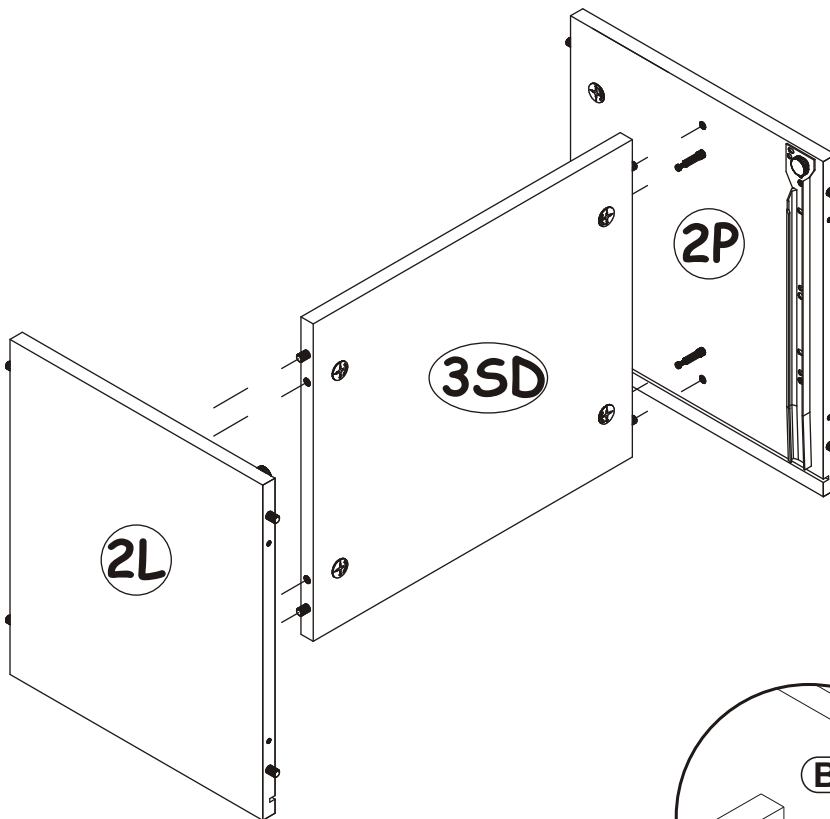
12

| | | | |
|----|---|-----|---|
| KL |  | UP6 |  |
| x1 | L-128mm. | x2 | UPØ4x30 |





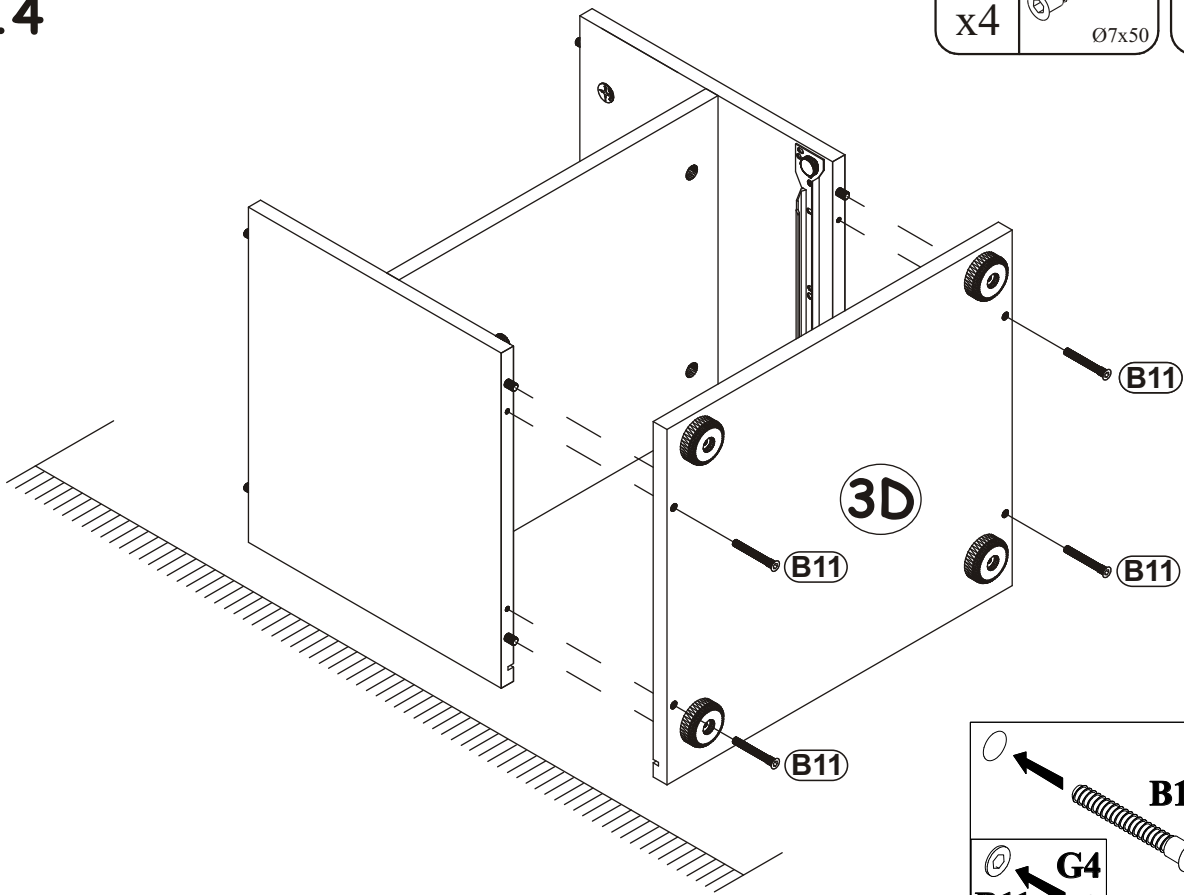
13

| | |
|----|--|
| G5 |  |
| x4 | |




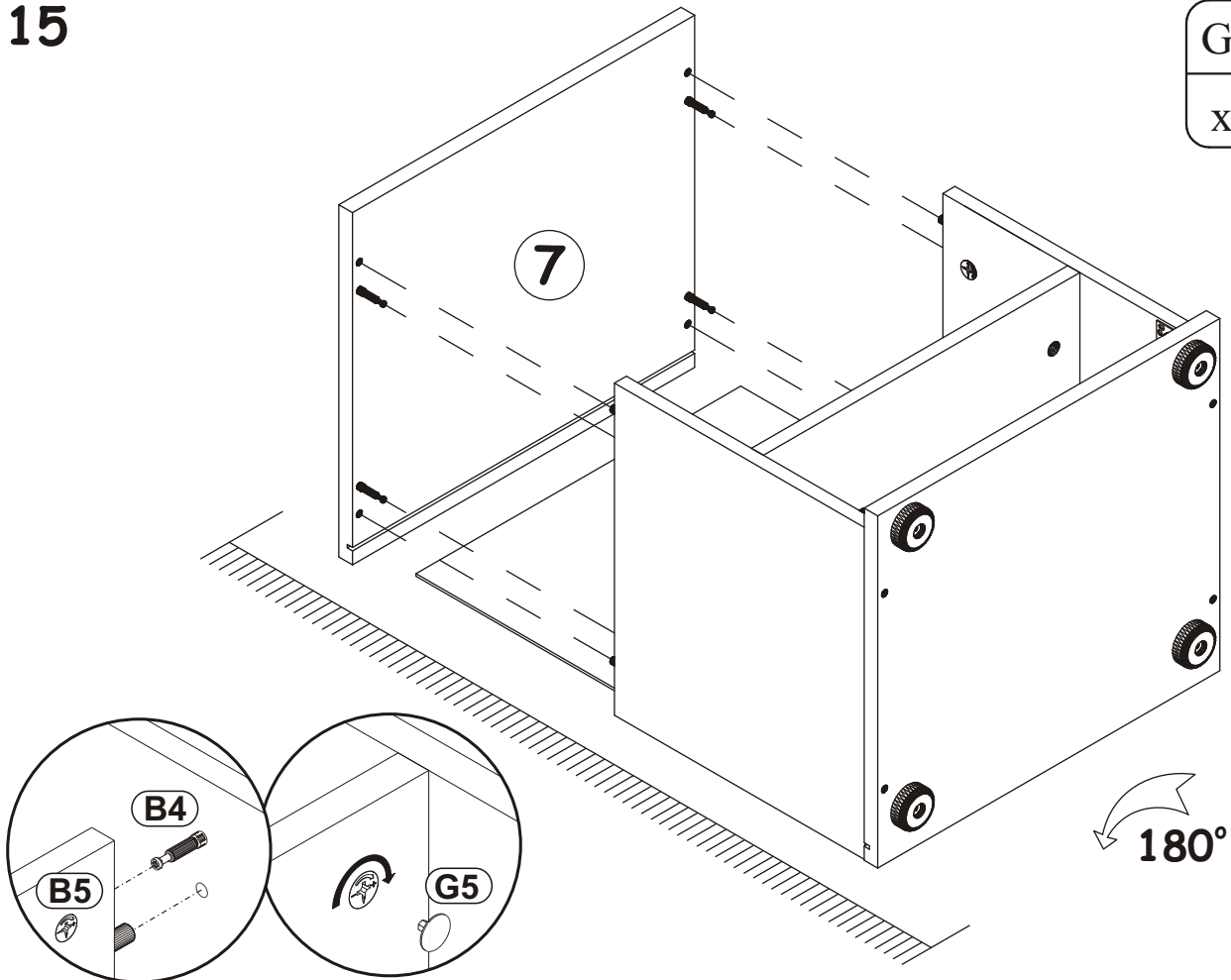
14

| | | | |
|-----|---|----|---|
| B11 |  | G4 |  |
| x4 | Ø7x50 | x4 | |



15

| | |
|----|---|
| G5 |  |
| x4 | |

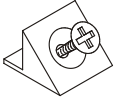




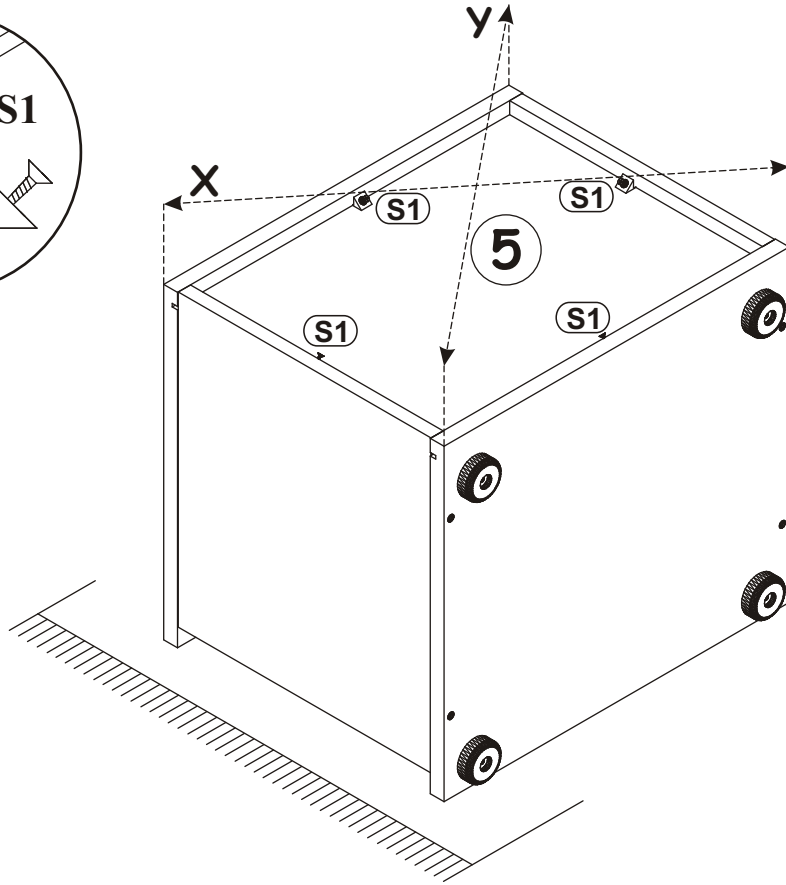
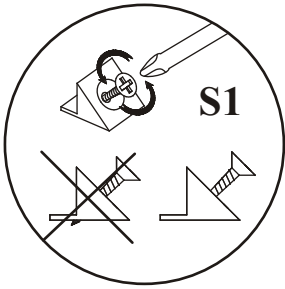
X=Y \uparrow 90°

S1

x4



16



17

