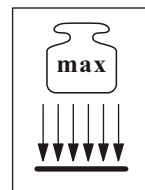
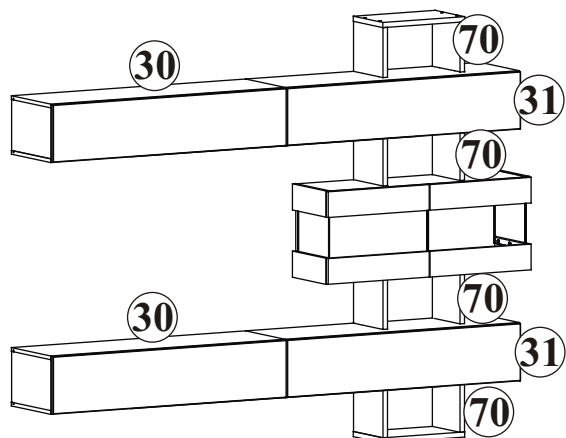
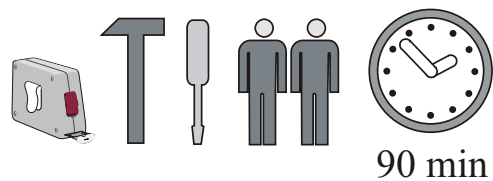
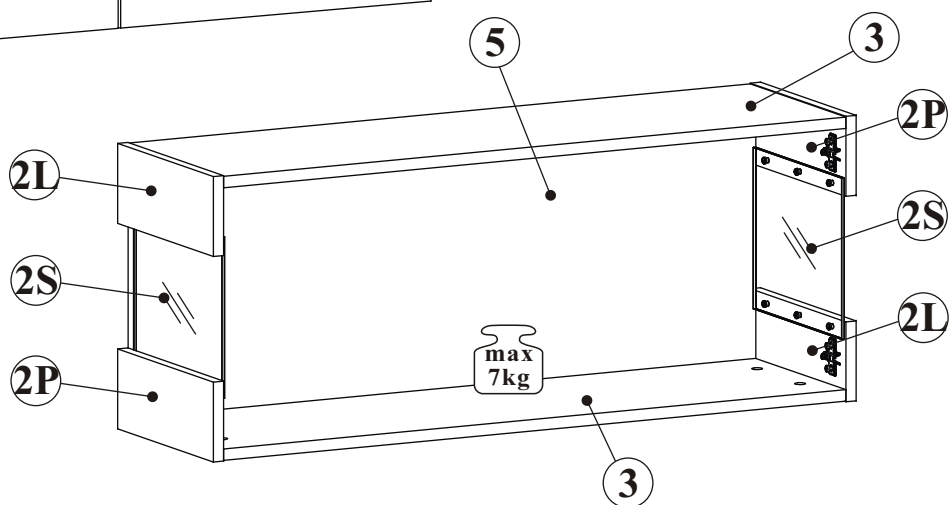
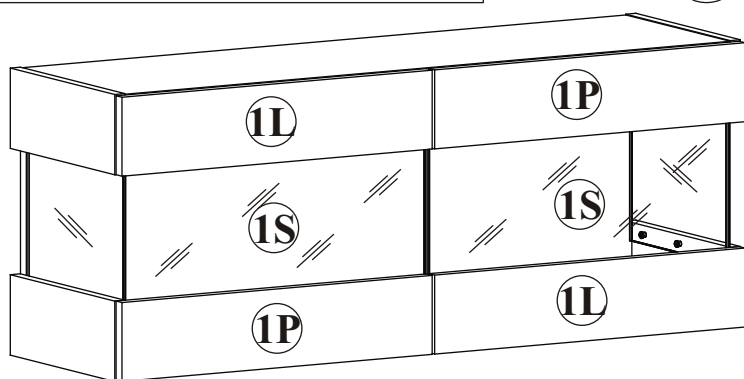


TOKYO 20_TK TYP 20



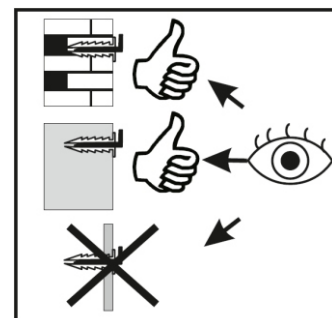
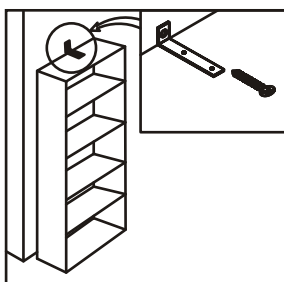
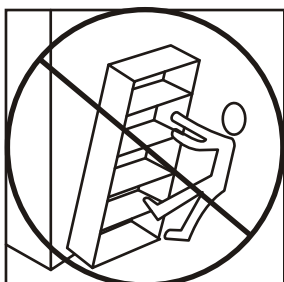
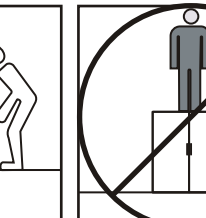
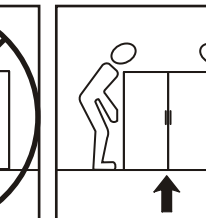
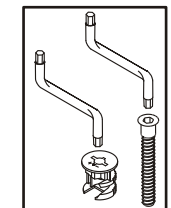
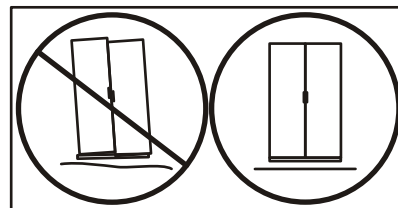
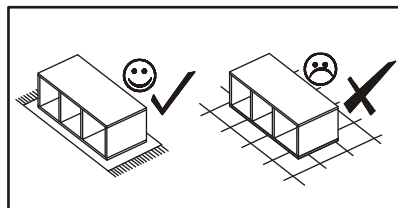
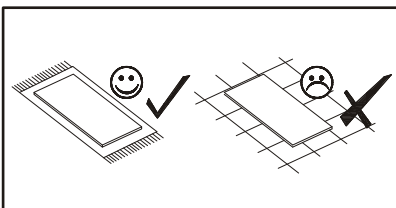
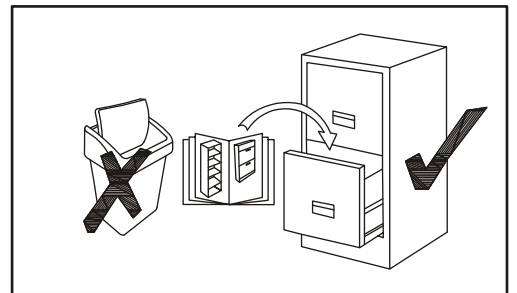
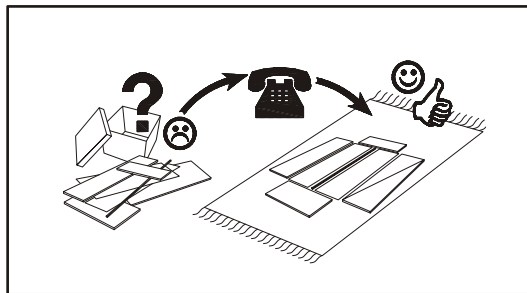
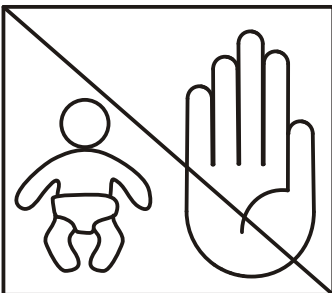
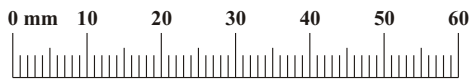
20

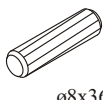
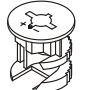
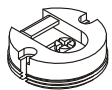



90 min

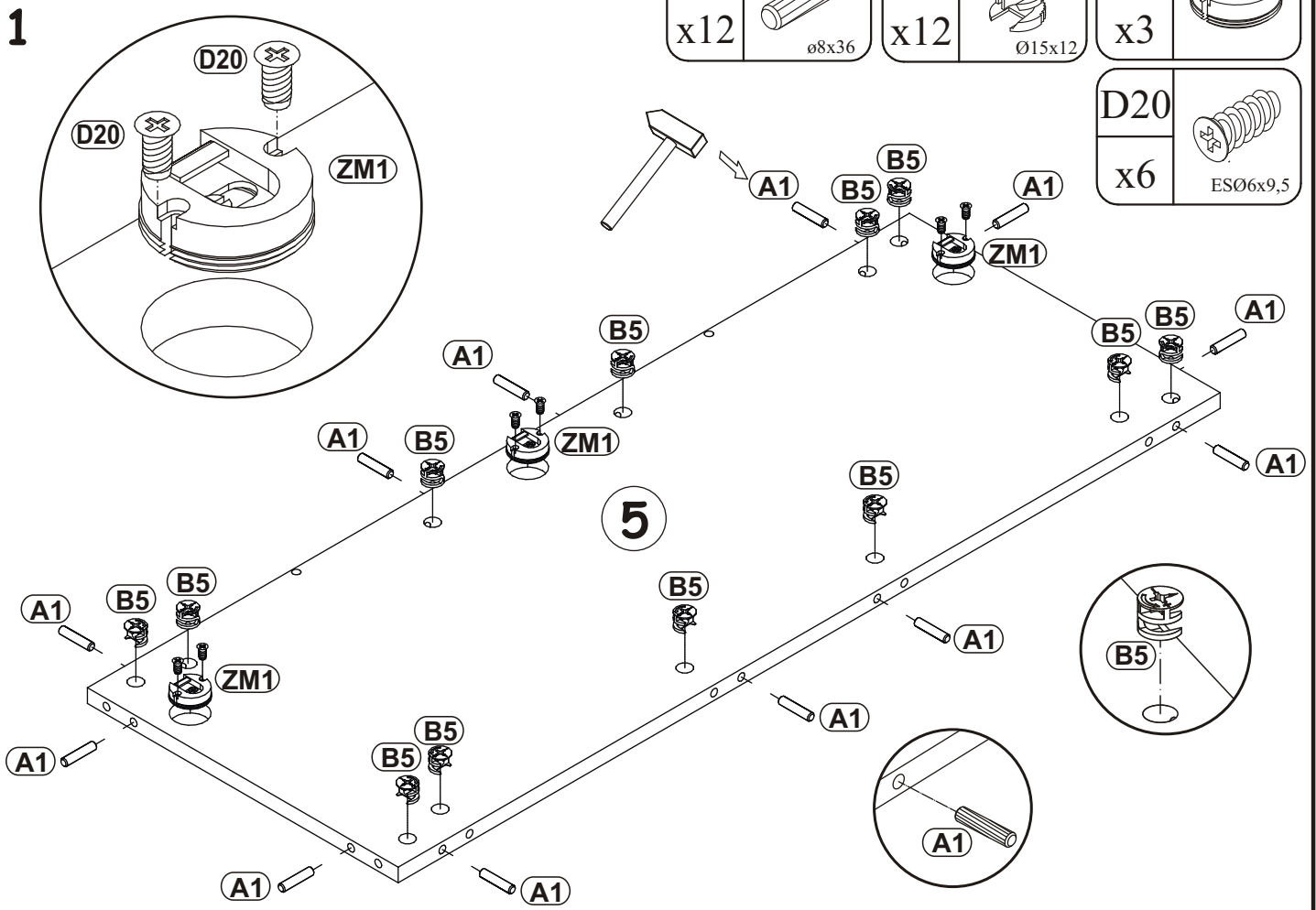
NO	Dim.			Col.-No	Qty
1L	496	110	16	4/5.	2
1P	496	110	16	4/5.	2
1S	480	226	4	4/5.	2
2L	284	112	16	4/5.	2
2P	284	112	16	4/5.	2
2S	262	226	4	4/5.	2
3	968	284	16	4/5.	2
5	968	366	16	4/5.	1

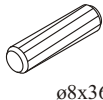

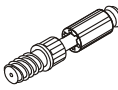
A1 x20 ø8x36	B4 x20	B5 x20 Ø15x12	G5 x20	ZM1 x3	D20 x6 ESØ6x9,5
E1 x4 Ø26 H=0	E2 x4 H=0	D10 x12 USØ3,5x13	OD2 x2	P2 x24	UP13 x24 UPØ3x16
KR3 x3 Ø10	G2 x1				

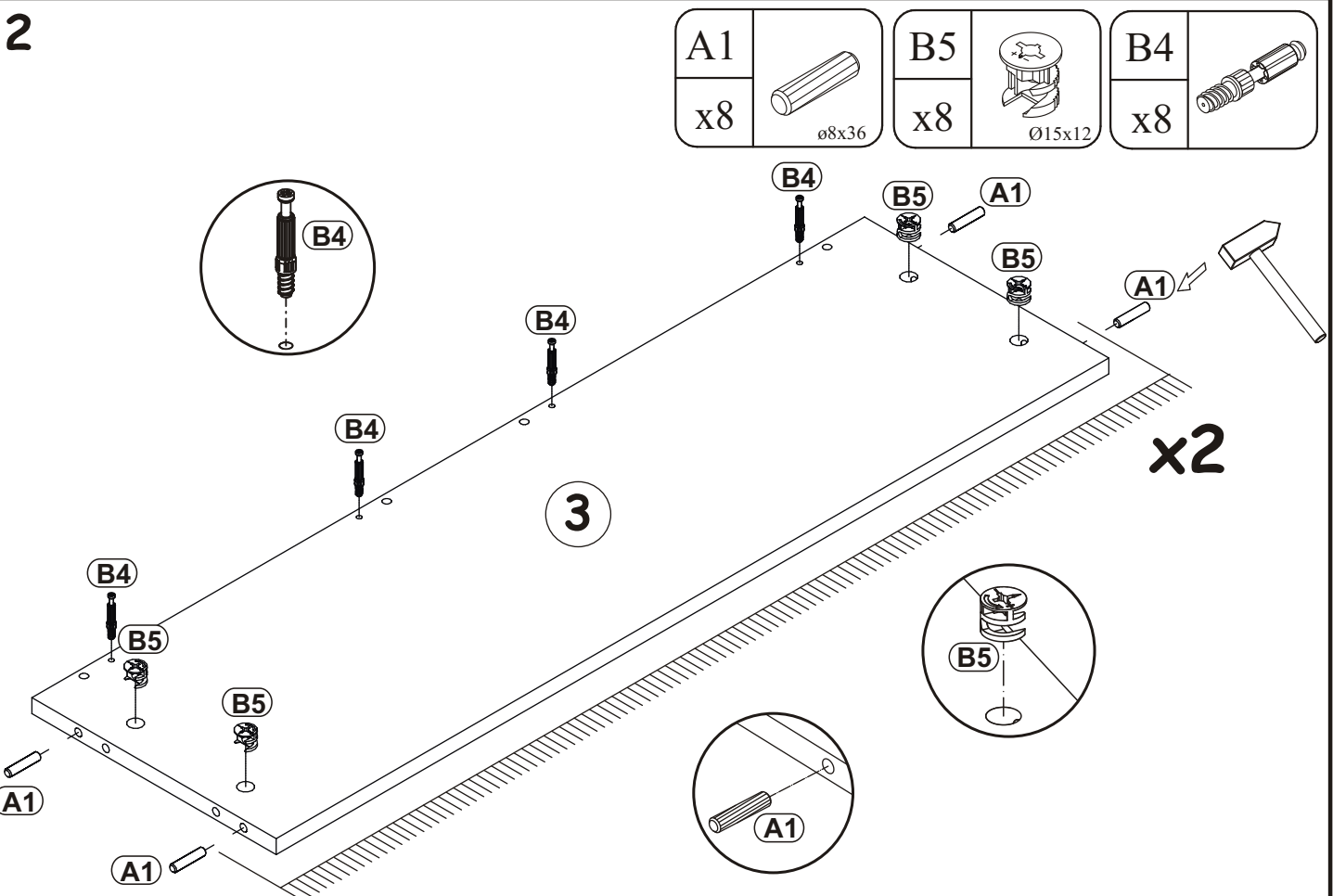


A1		B5		ZM1	
x12	ø8x36	x12	Ø15x12	x3	

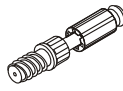
D20	
x6	ESØ6x9,5

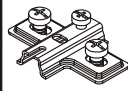



A1		B5		B4	
x8	ø8x36	x8	Ø15x12	x8	

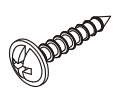


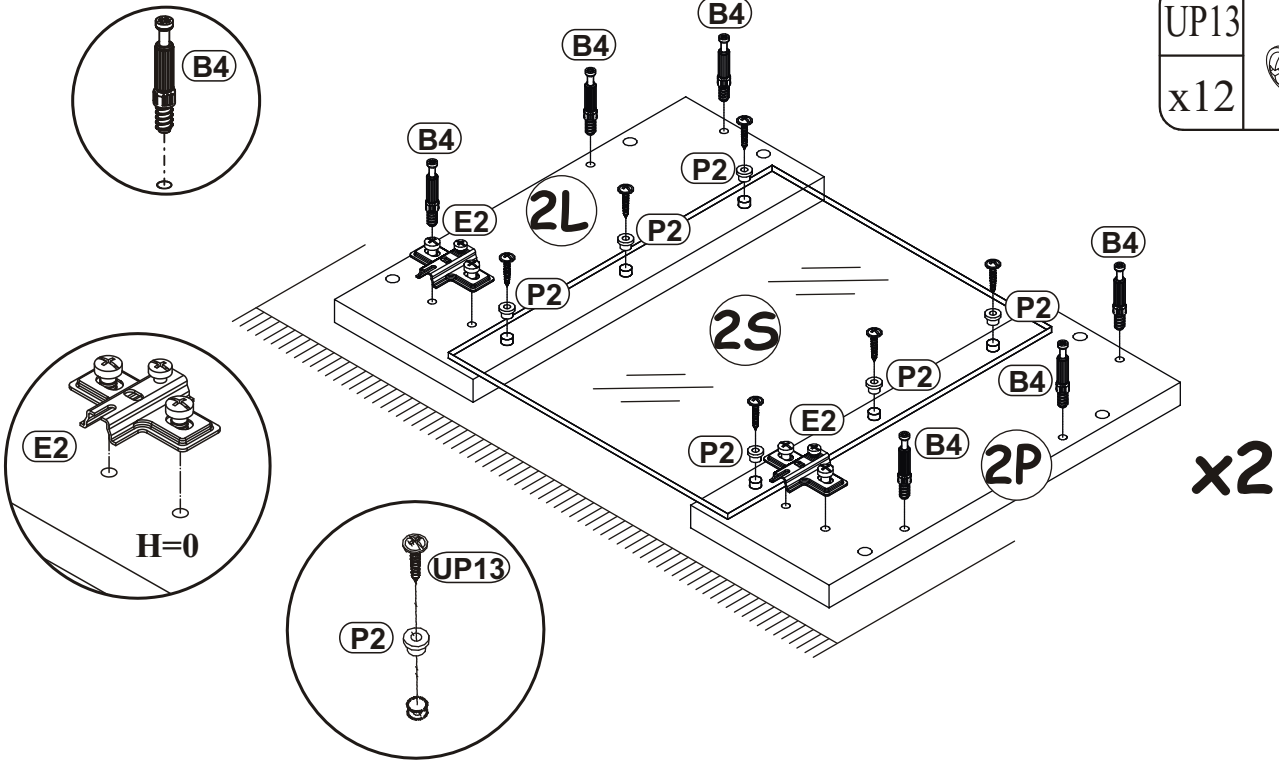
3

B4	
x12	

E2	
x4	H=0

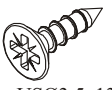
P2	
x12	

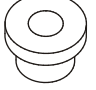
UP13	
x12	UPØ3x16




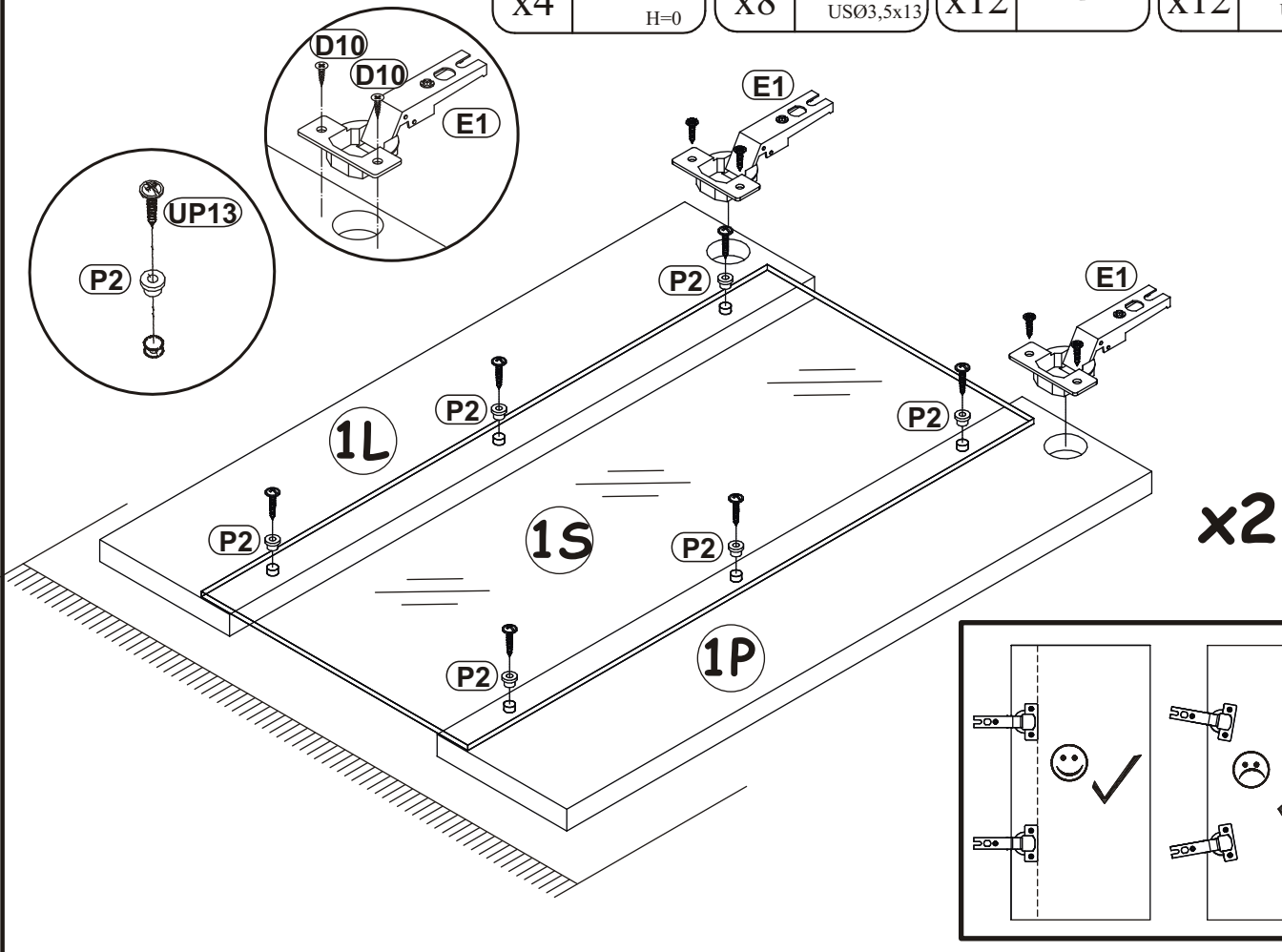
4


E1	Ø26
x4	H=0

D10	
x8	USØ3,5x13

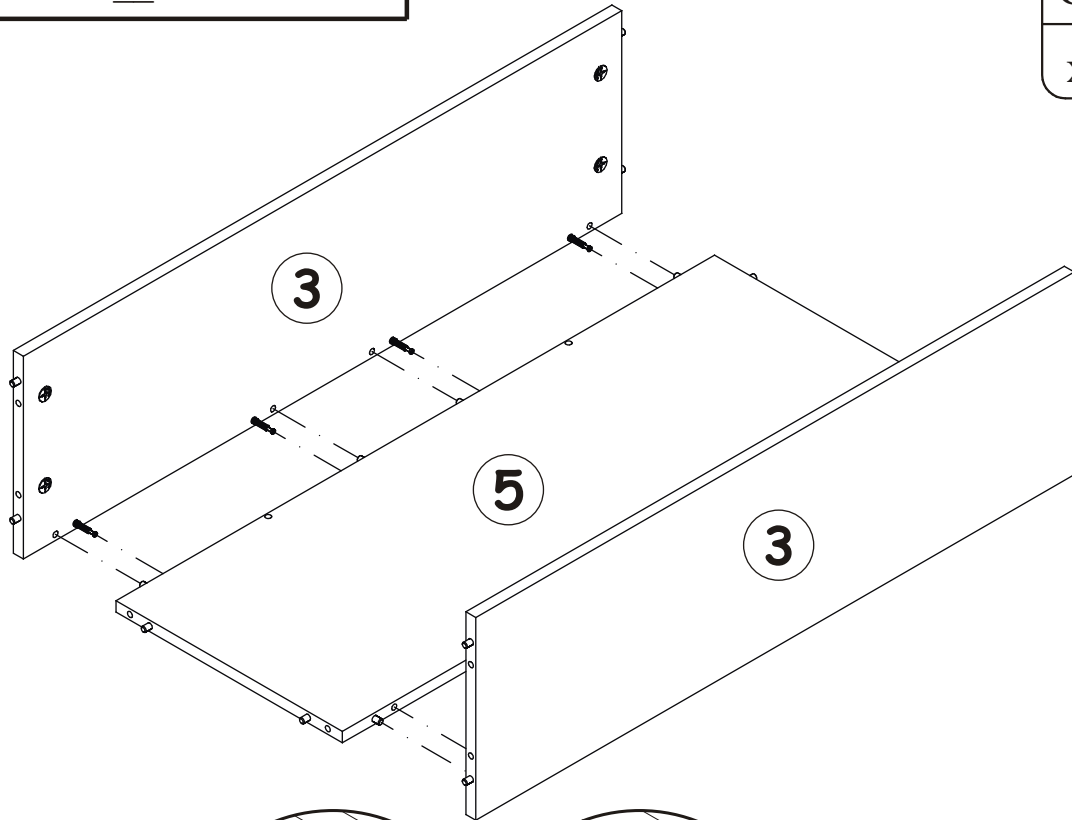
P2	
x12	

UP13	
x12	UPØ3x16

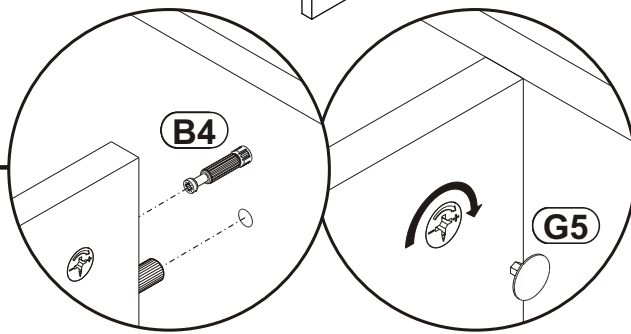



G5	
x8	

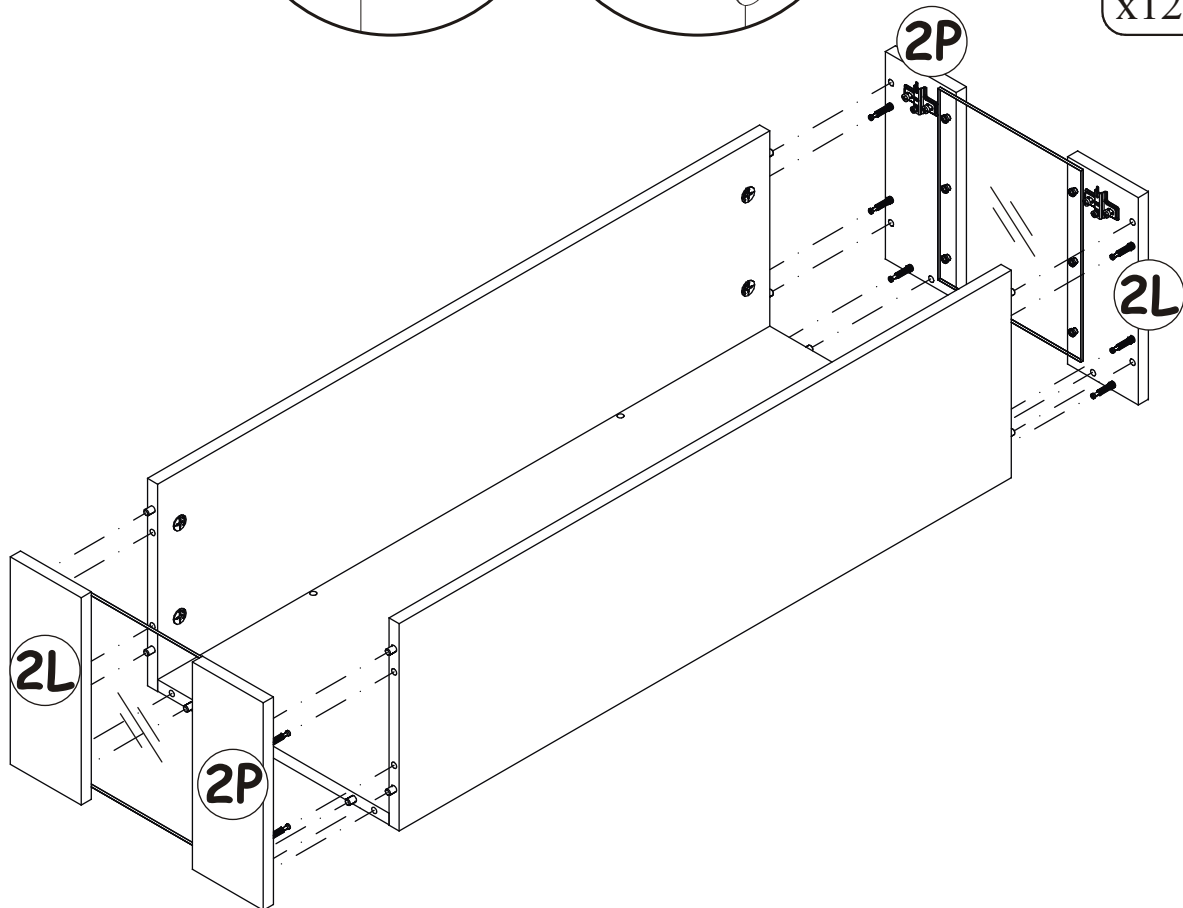
5






6

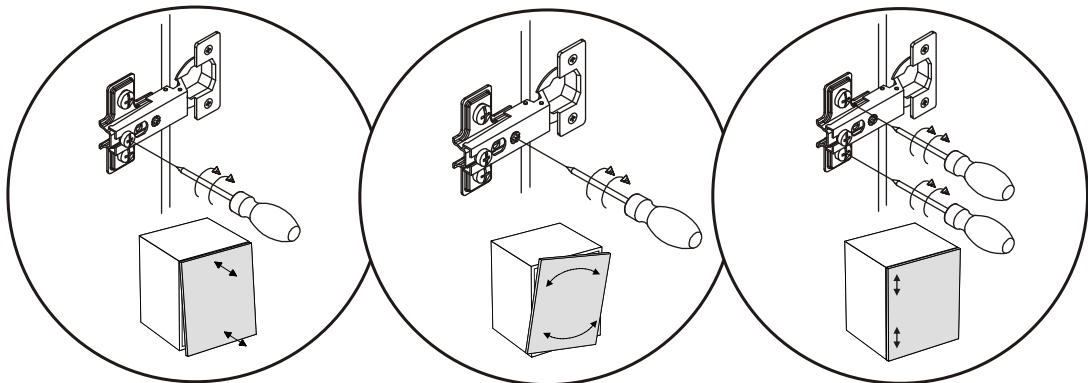
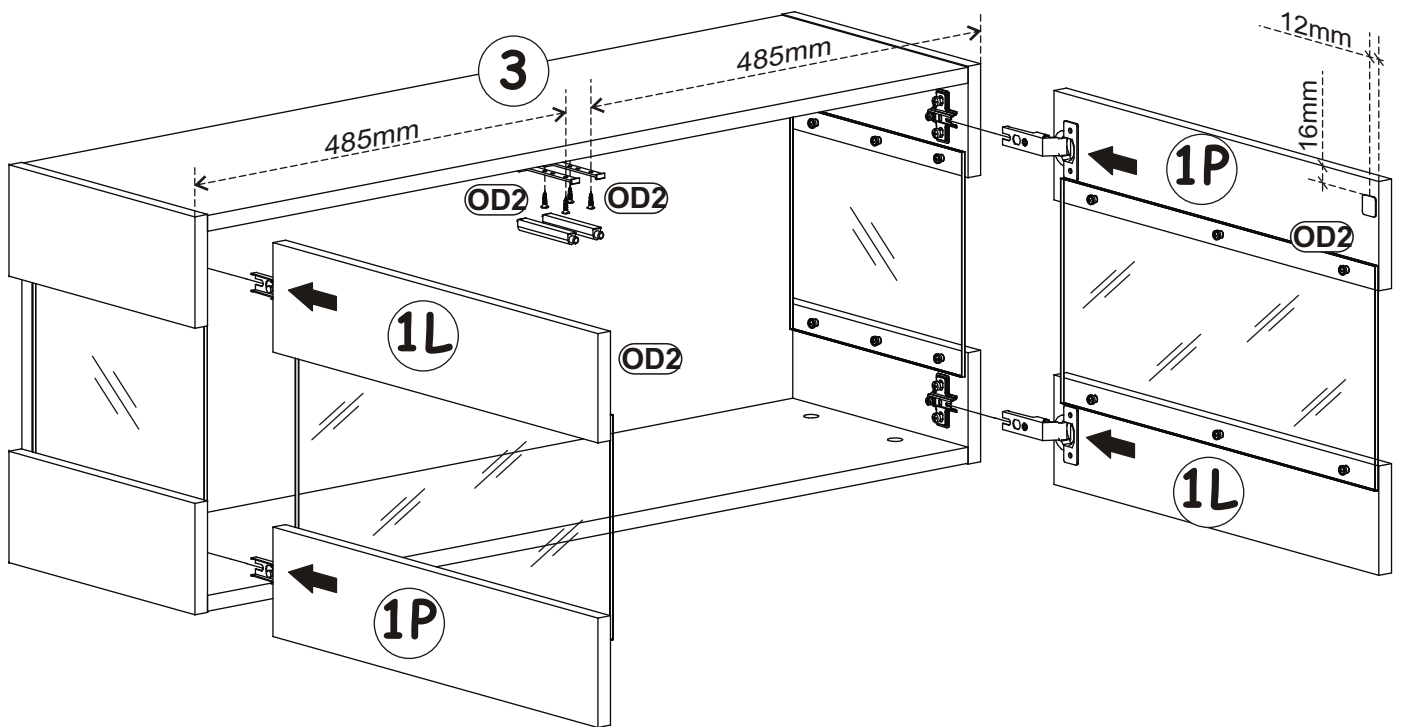
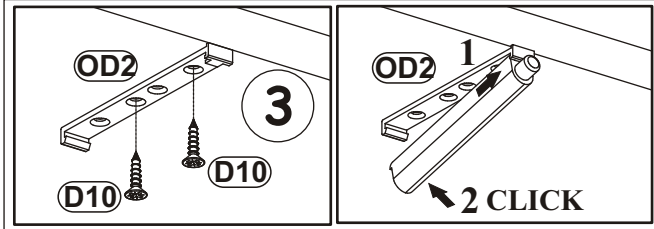


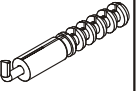
G5	
x12	



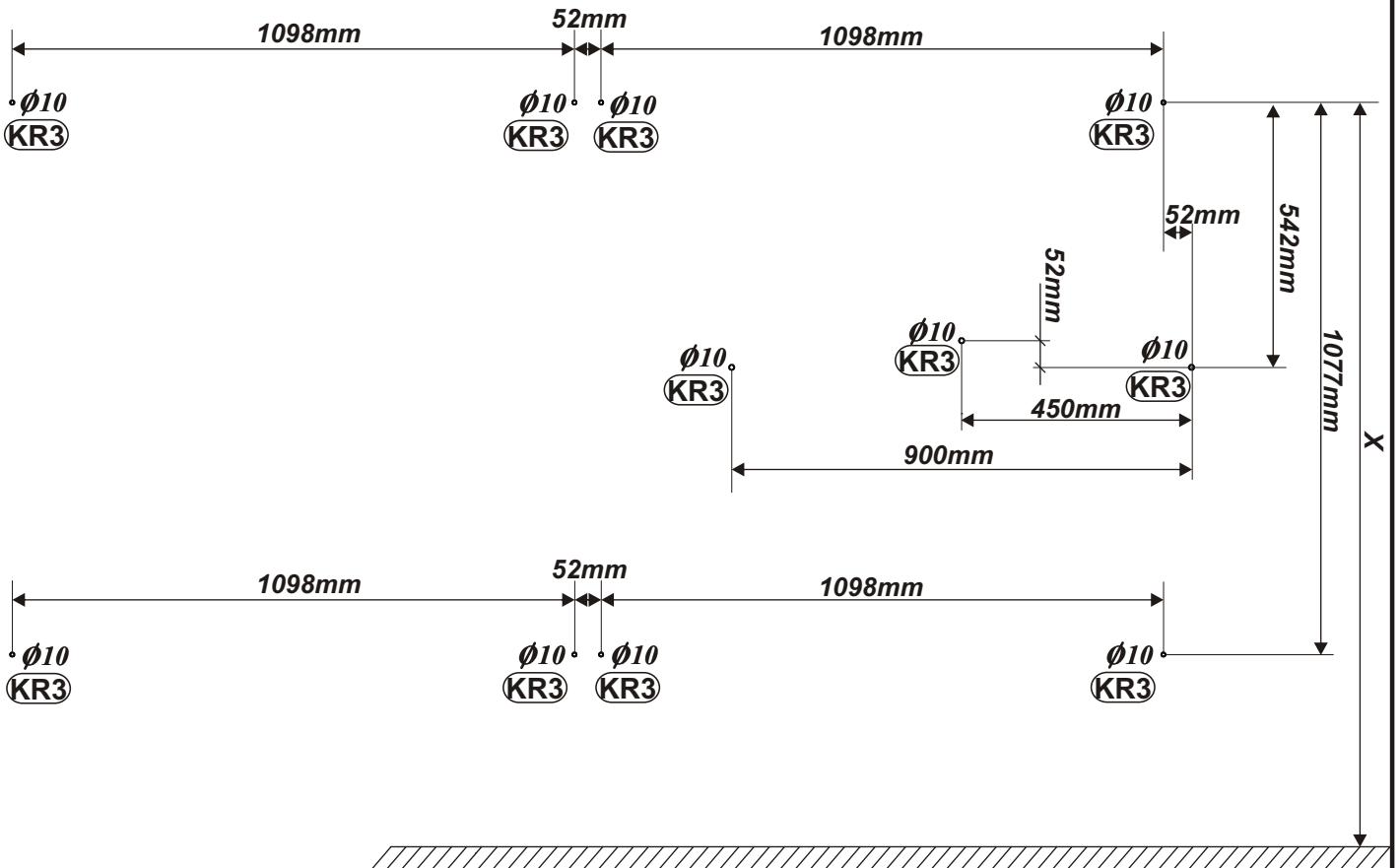
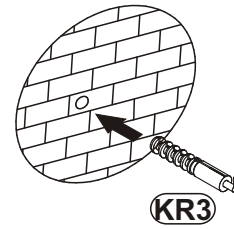
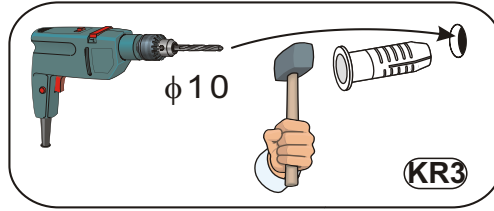
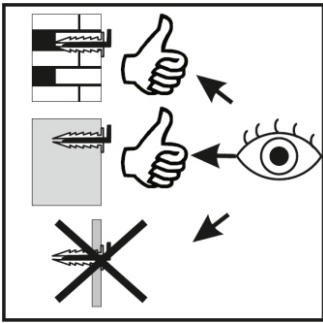
7

OD2		D10	
x2		x4	USØ3,5x13

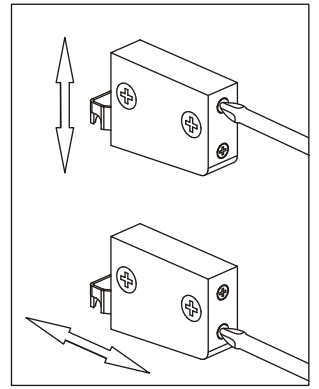
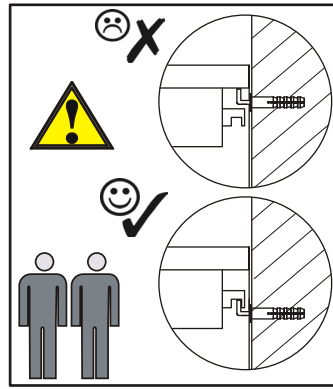
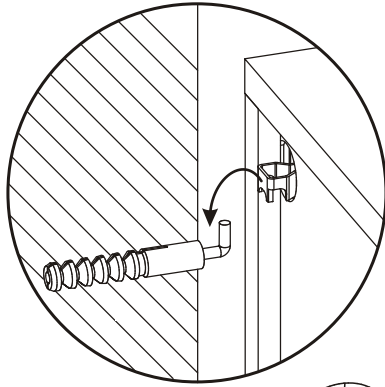


KR3	
x11	Ø10

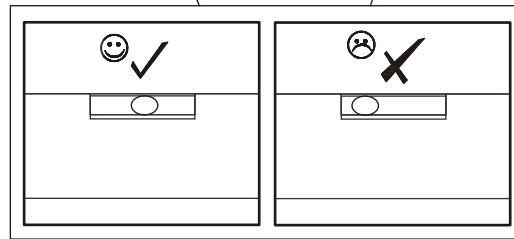
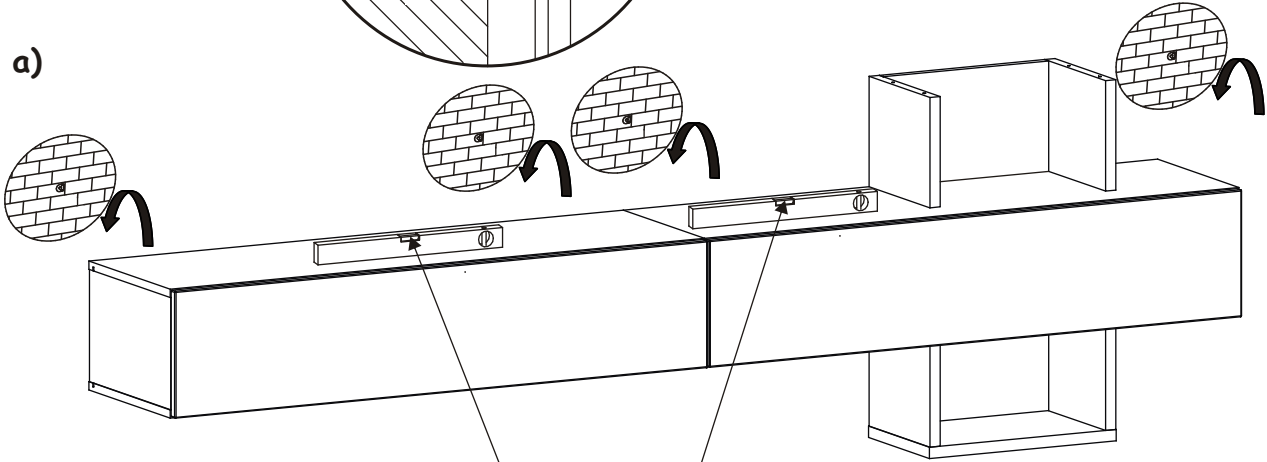
8



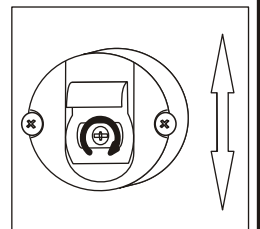
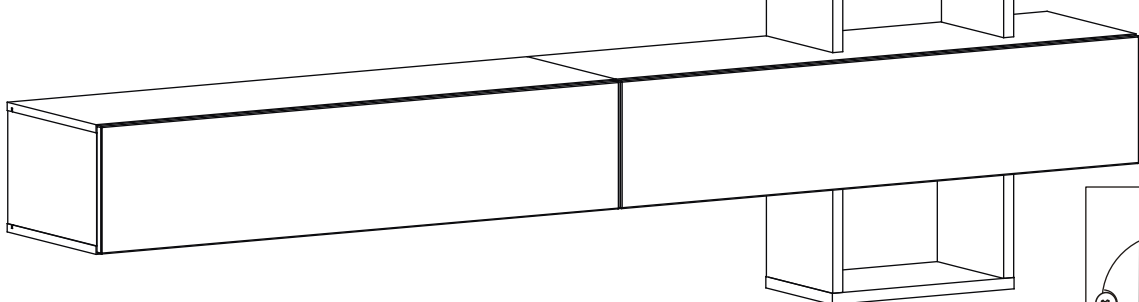
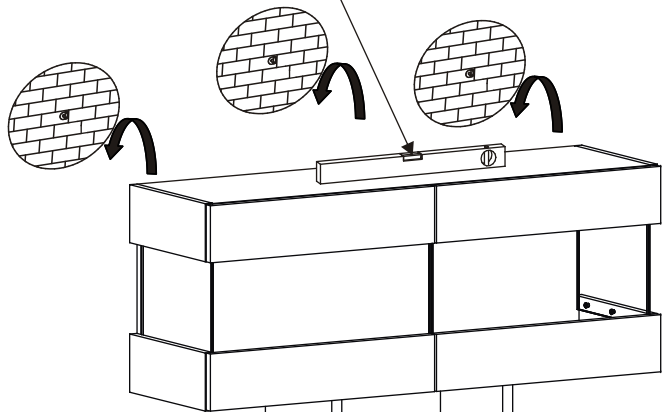
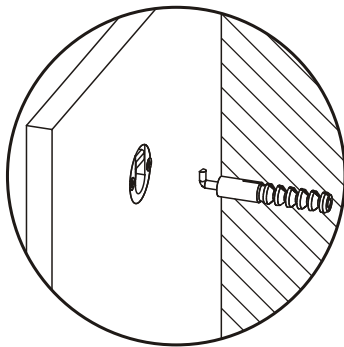
9



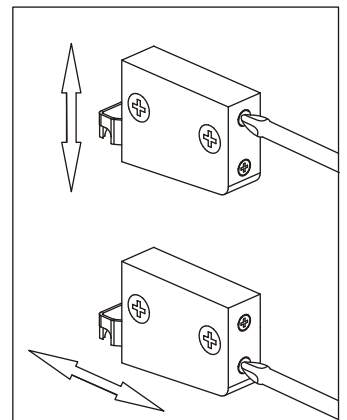
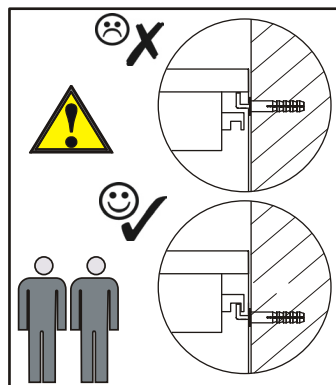
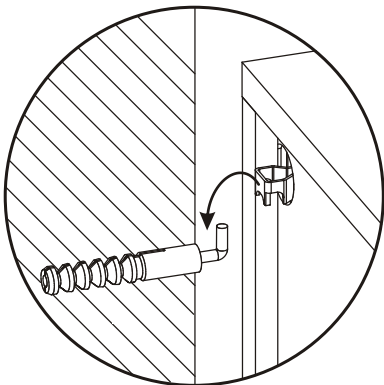
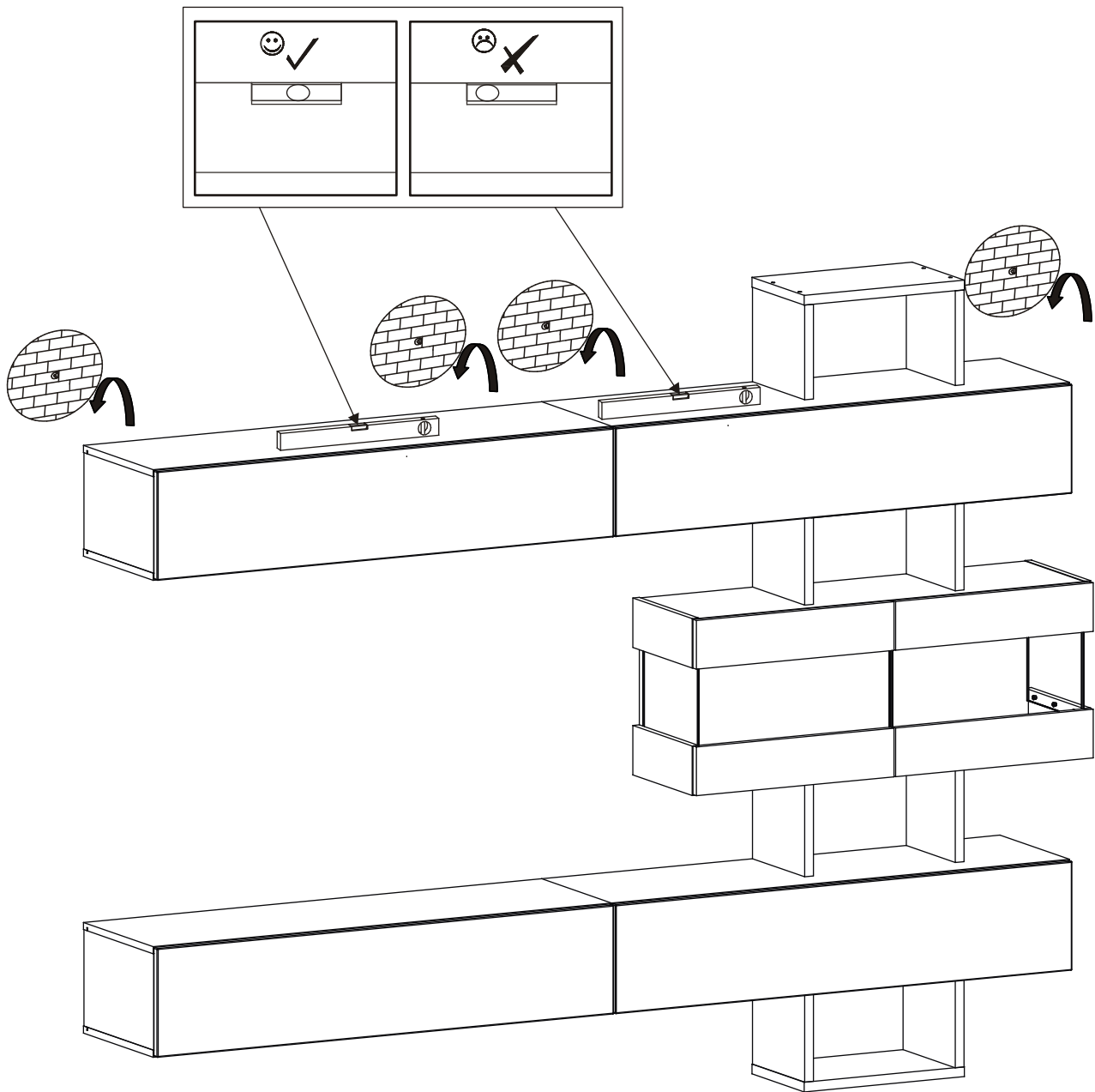
a)



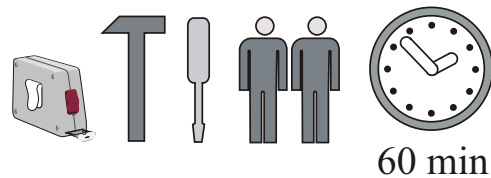
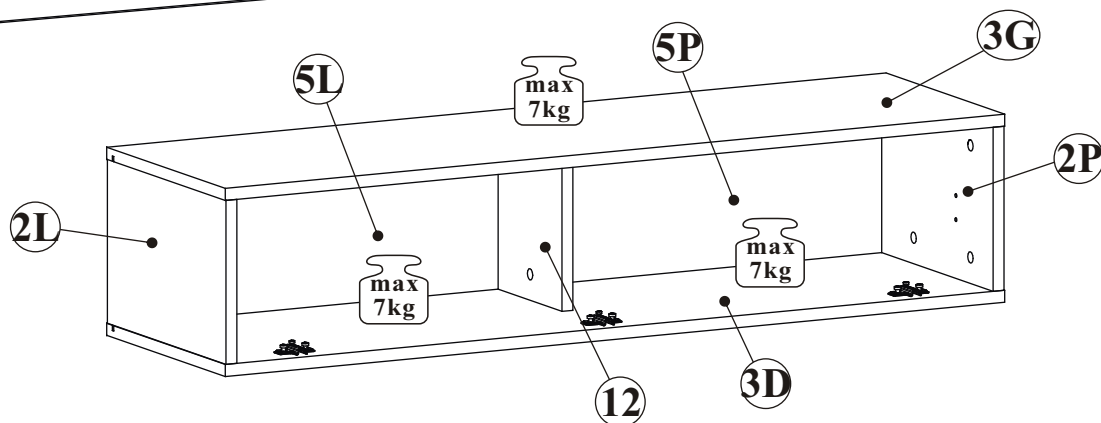
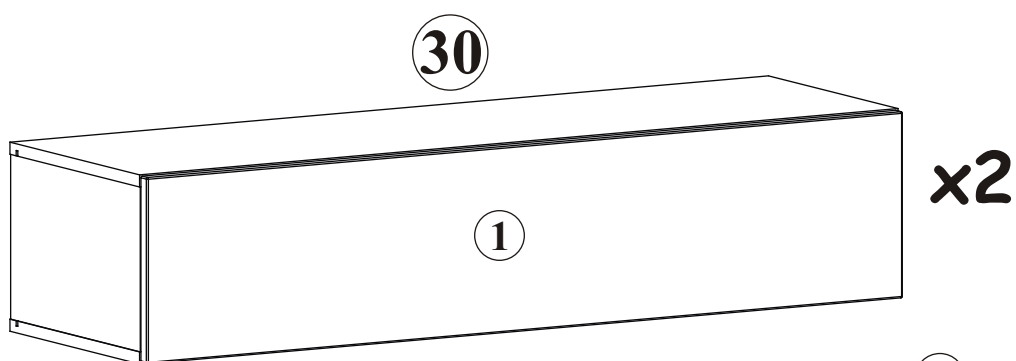
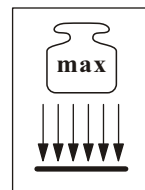
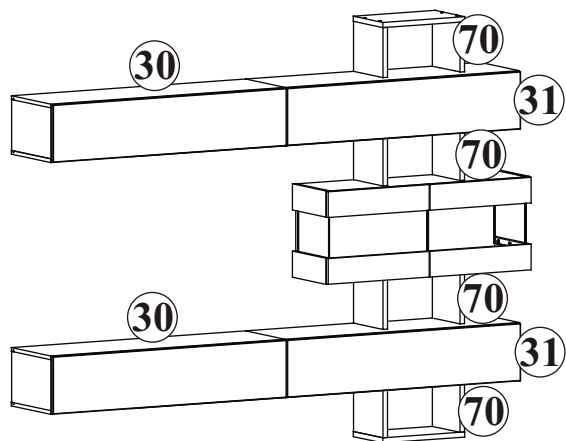
b)



c)

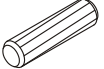
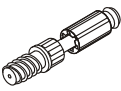
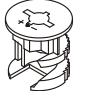

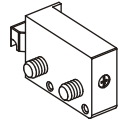
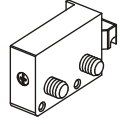
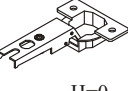
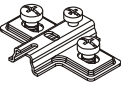

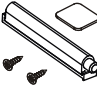


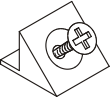
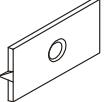

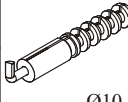



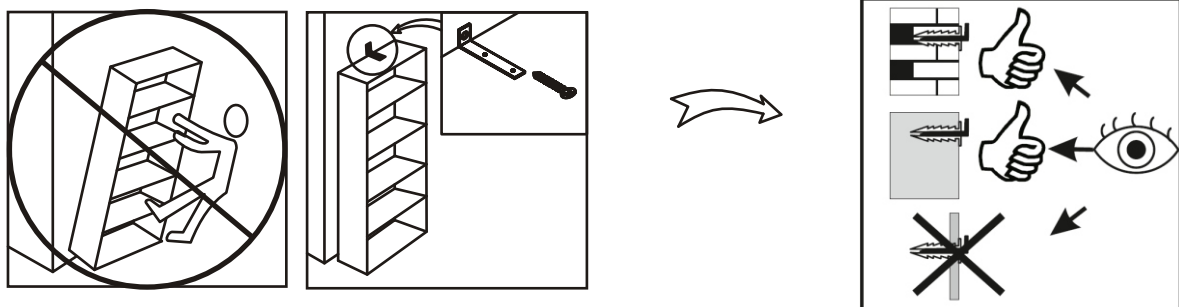
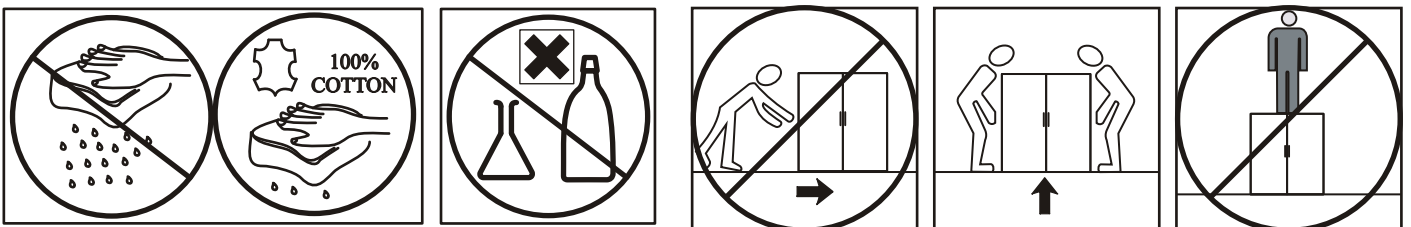
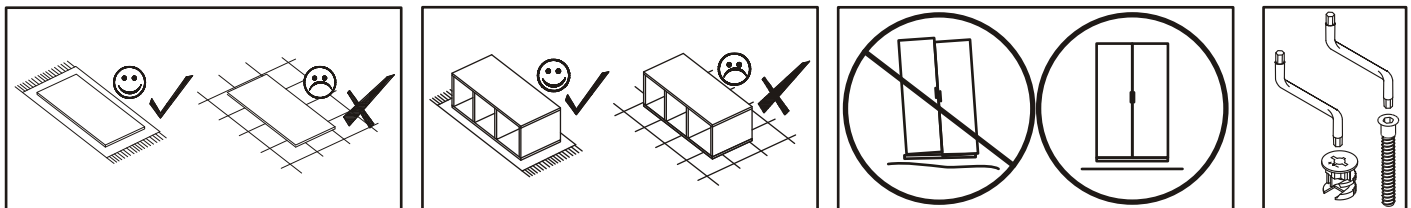
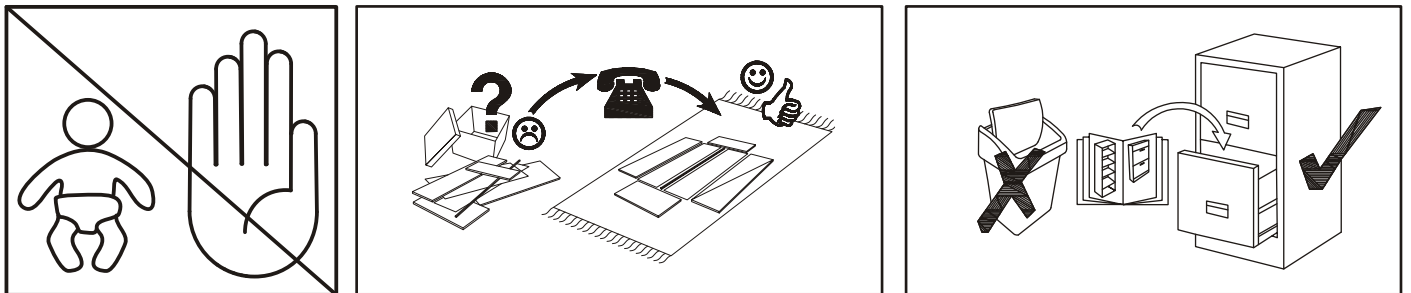
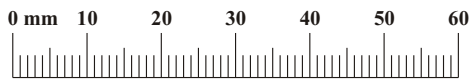
TOKYO 20_TK TYP 30

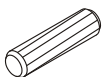
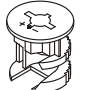
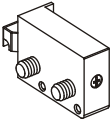
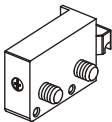


NO	Dim.			Col.-No	Qty
1	1146	246	16	3/5.	2
2L	218	334	16	1/5.	2
2P	218	334	16	1/5.	2
12	218	180	16	1/5.	2
3D	1150	334	16	1/5.	2
3G	1150	334	16	1/5.	2
5L	564	230	3	1/5.	2
5P	564	230	3	1/5.	2

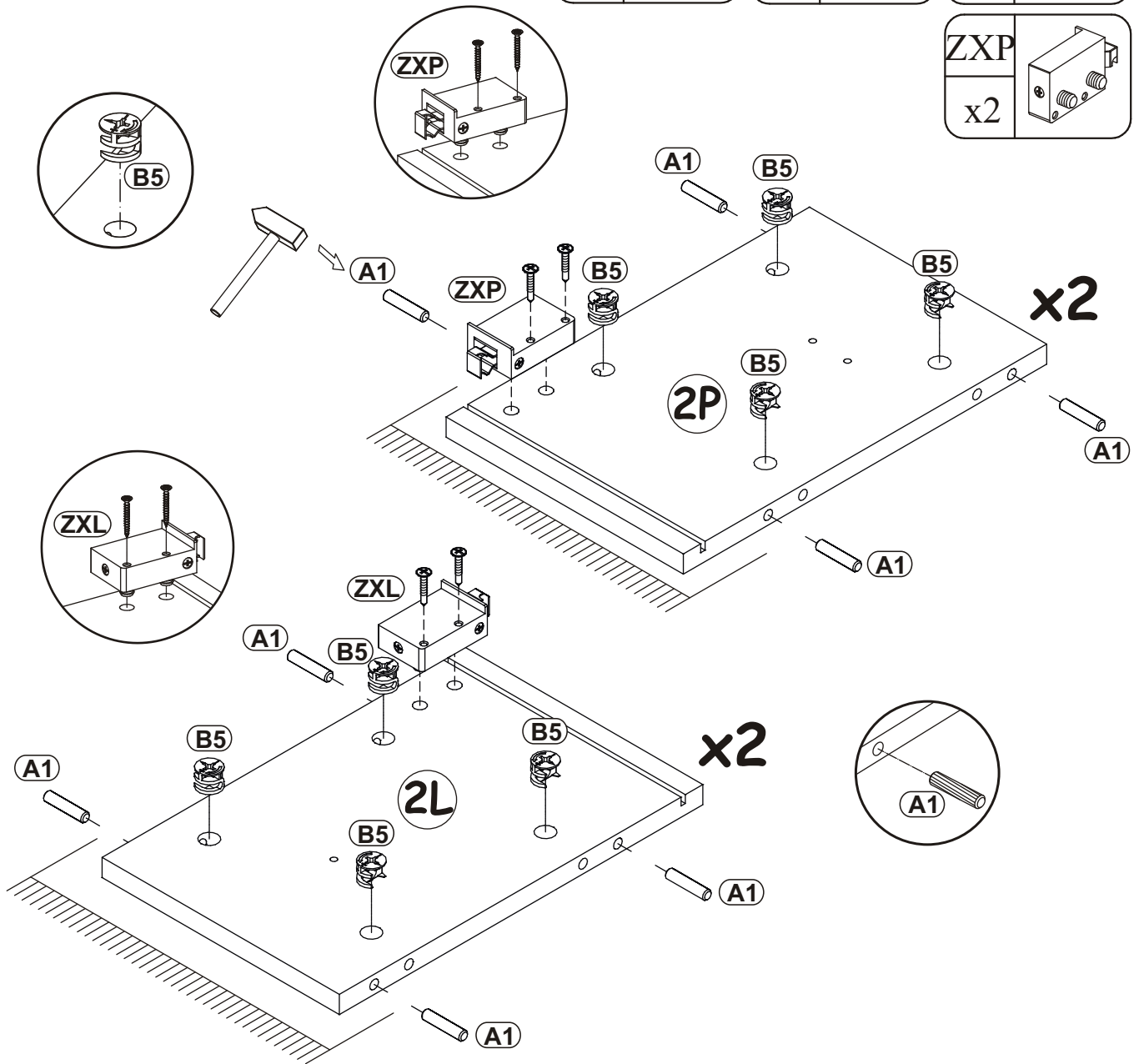
TOKYO 20_TK TYP 30

A1 x24  ø8x36	B4 x20 	B5 x20  Ø15x12	G5 x20 	ZXL x2 	ZXP x2 
E1 x6 Ø26  H=0	E2 x6  H=0	D10 x24  USØ3,5x13	OD2 x2 	G21 x4 	D7 x12  USØ3x16
S1 x20 	G16 x4 	UP13 x4  UPØ3x16	KR3 x4  Ø10	G2 x1 	

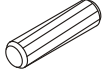
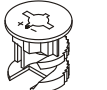


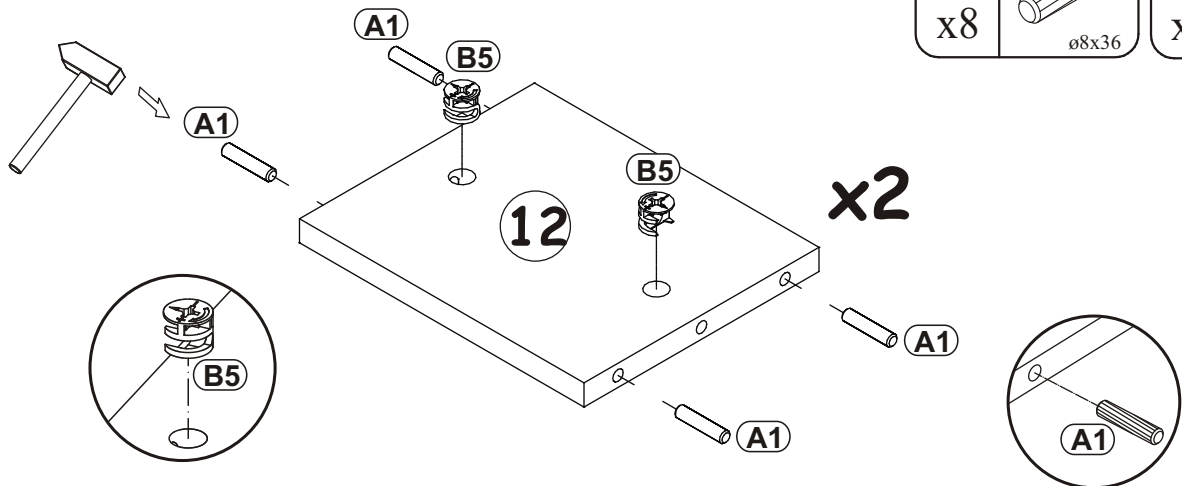
A1		B5		ZXL	
x16	ø8x36	x16	Ø15x12	x2	
				ZXP	
				x2	

1



2

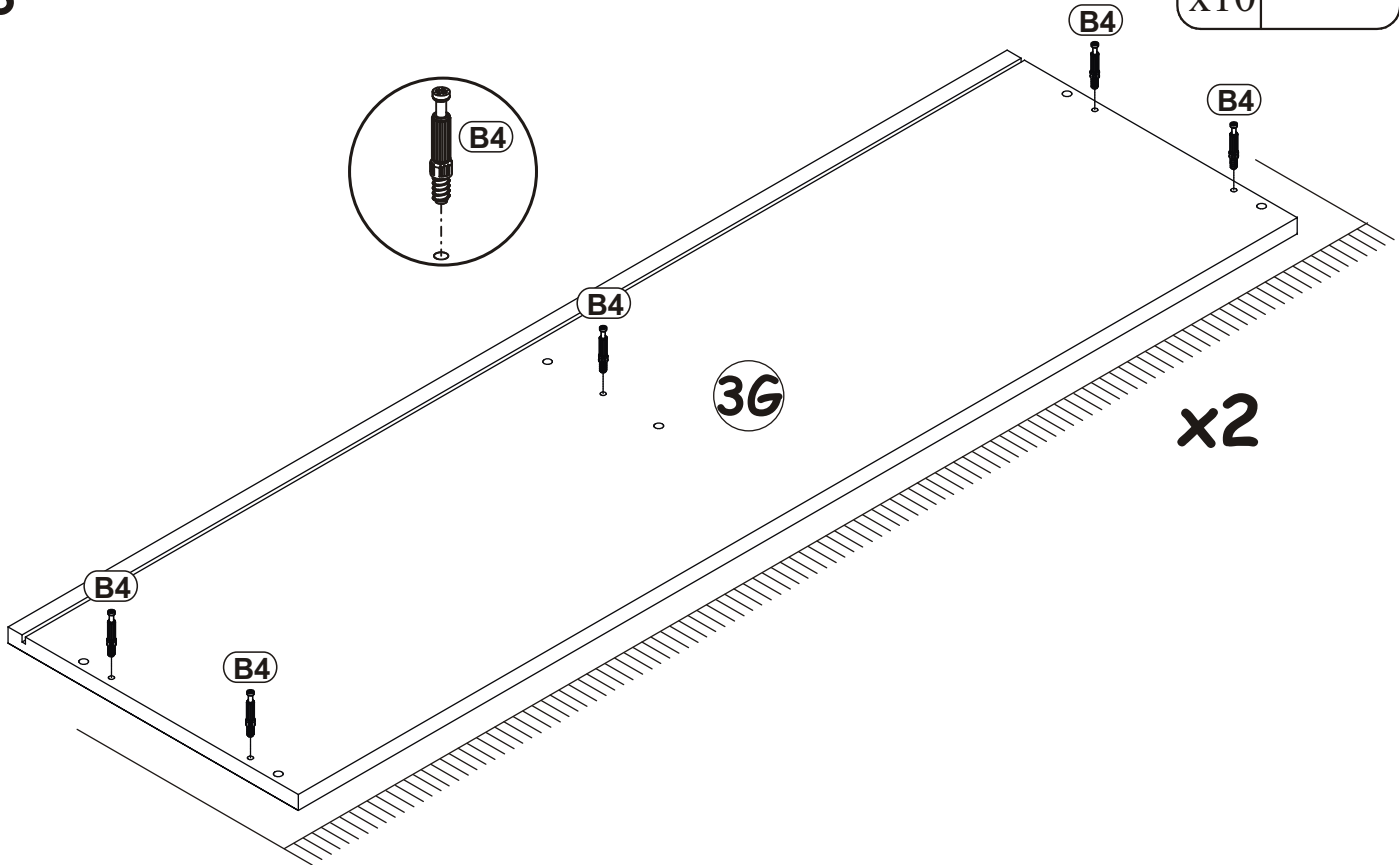
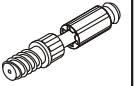
A1		B5	
x8	ø8x36	x4	Ø15x12



3

B4

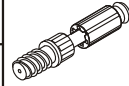
x10



4

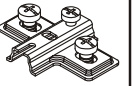
B4

x10

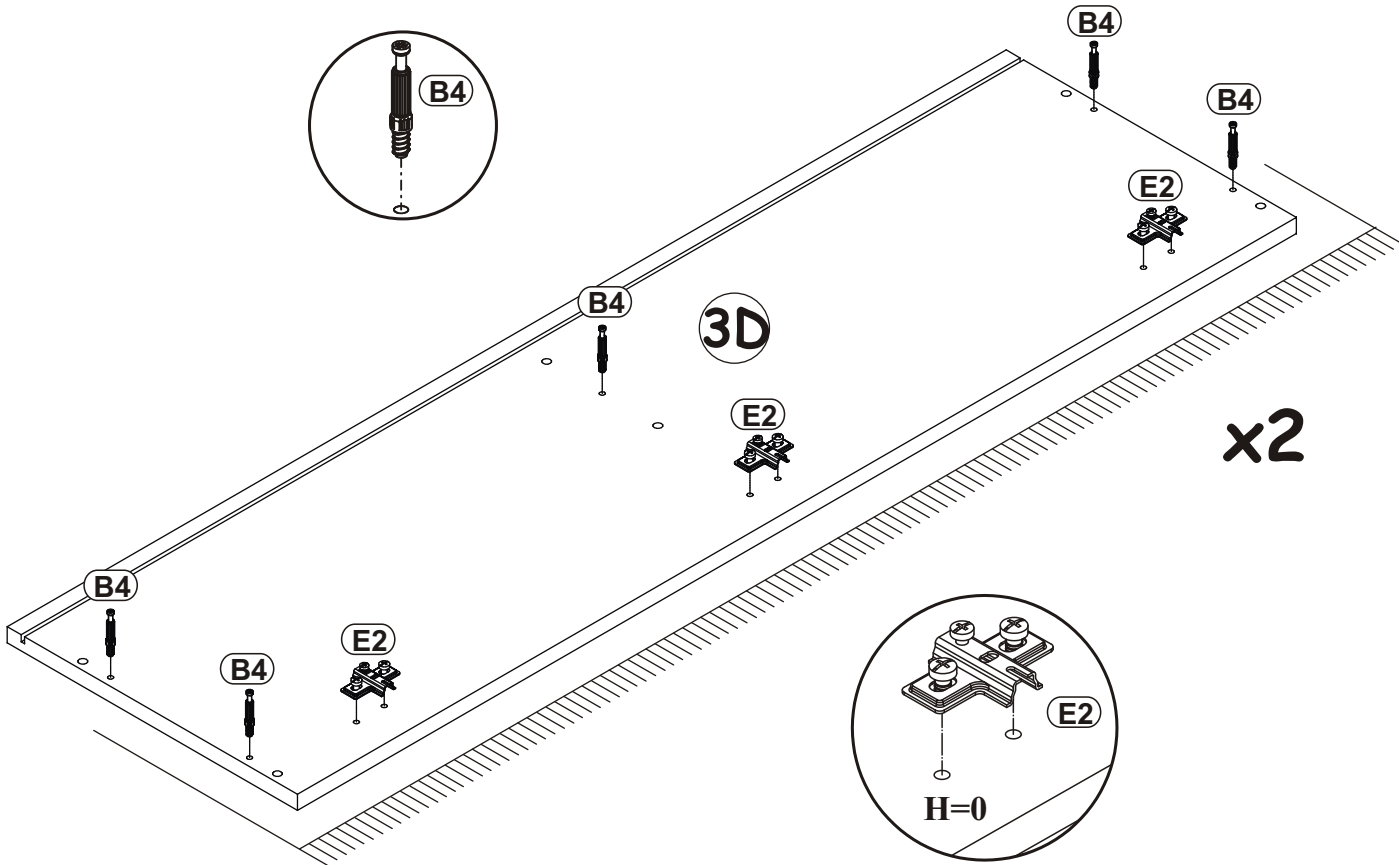


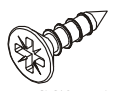
E2

x6

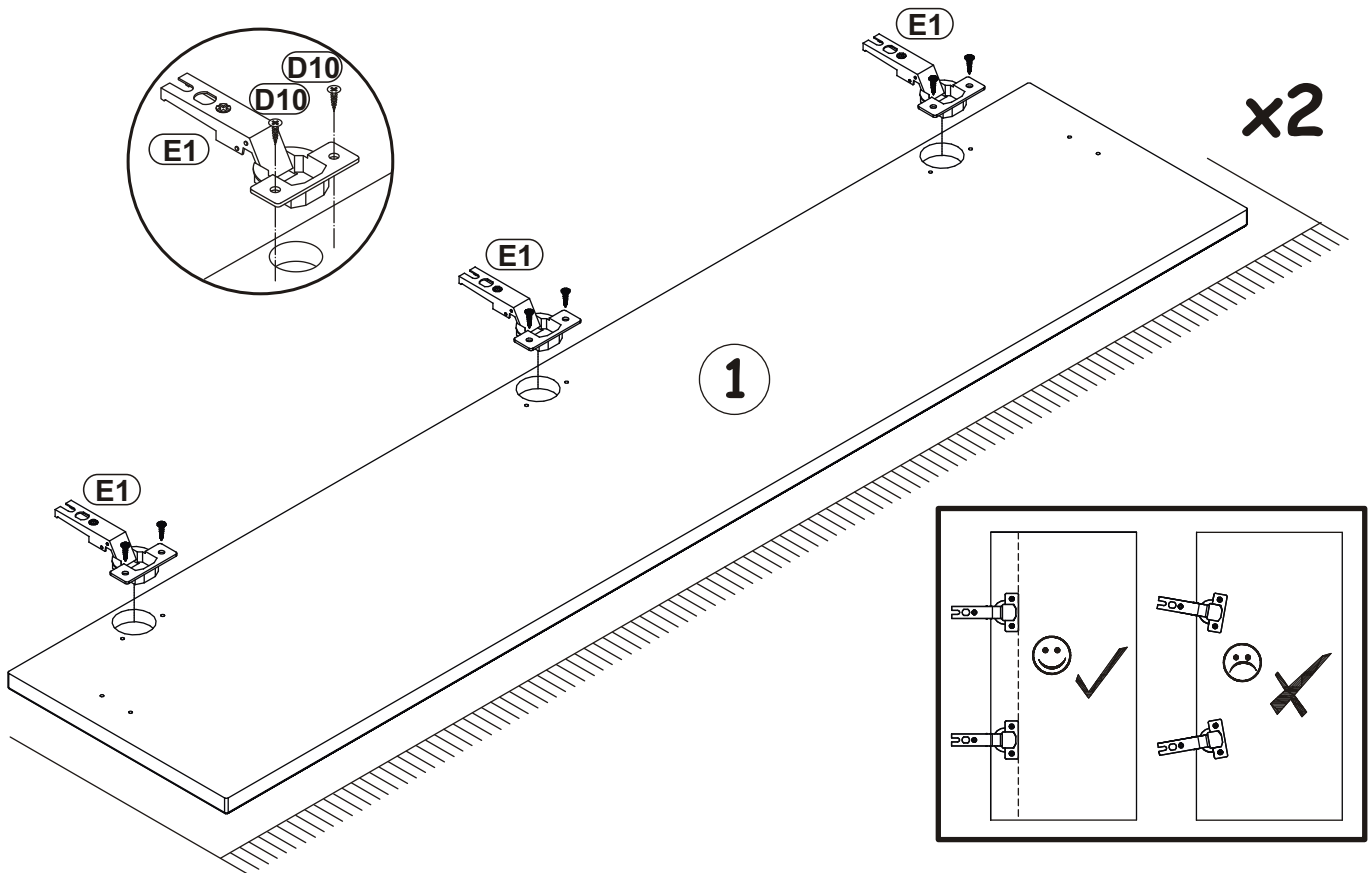


H=0




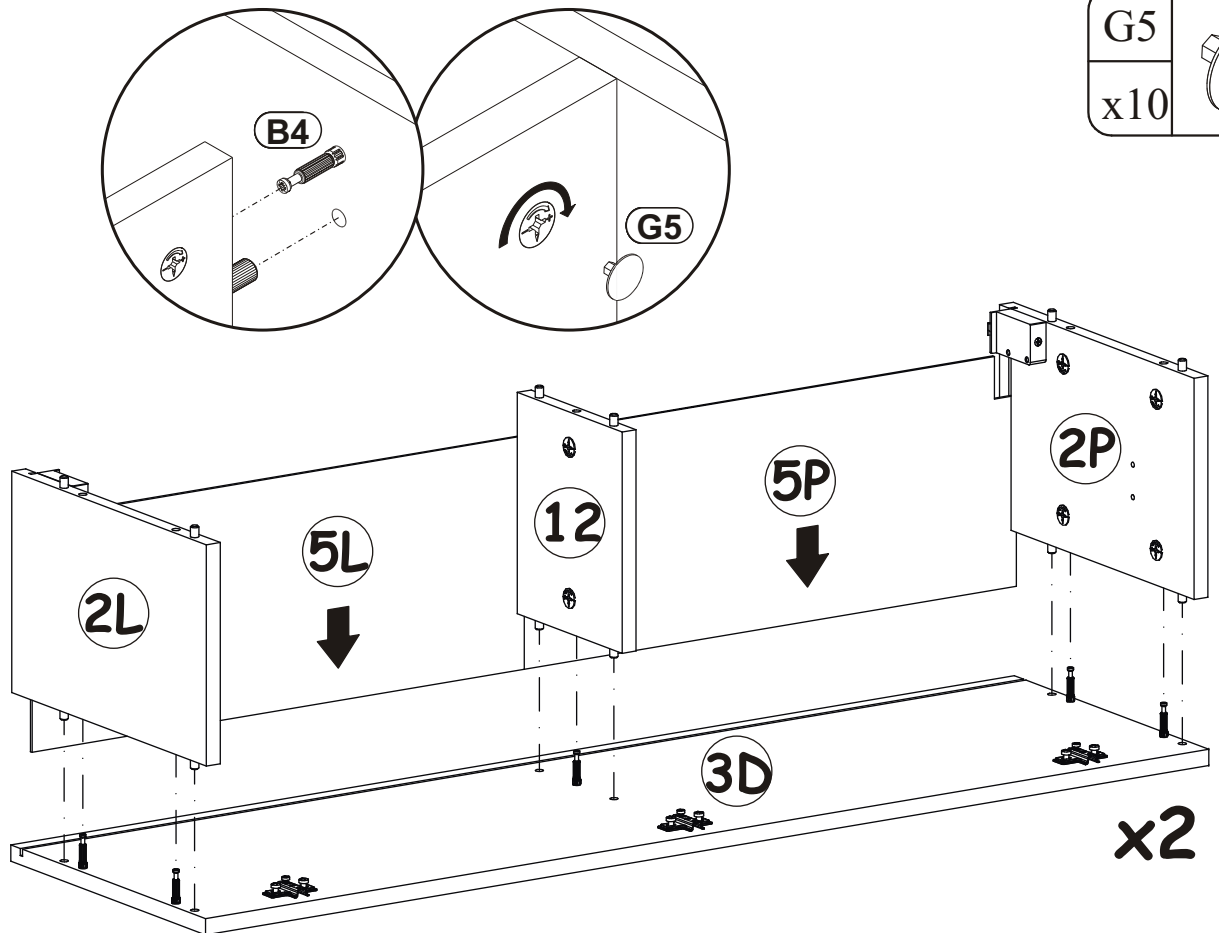
E1	Ø26	D10	 USØ3,5x13
x6	H=0	x12	

5




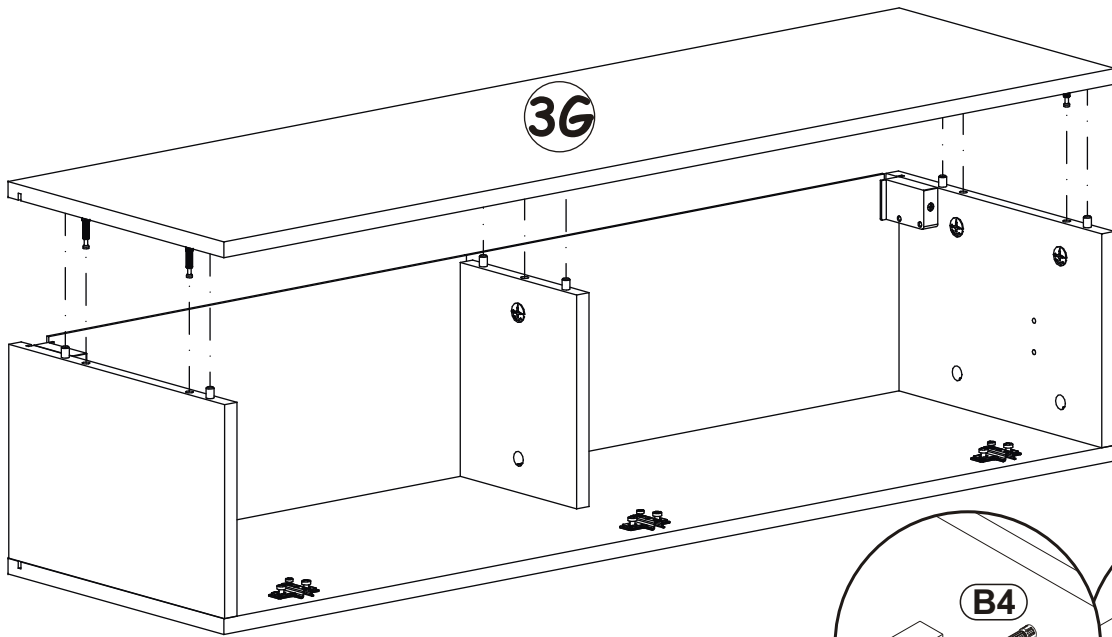
6

G5	
x10	

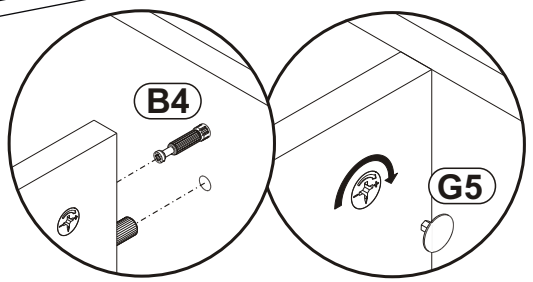


7

G5	
x10	

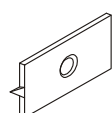



x2

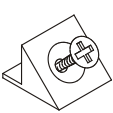


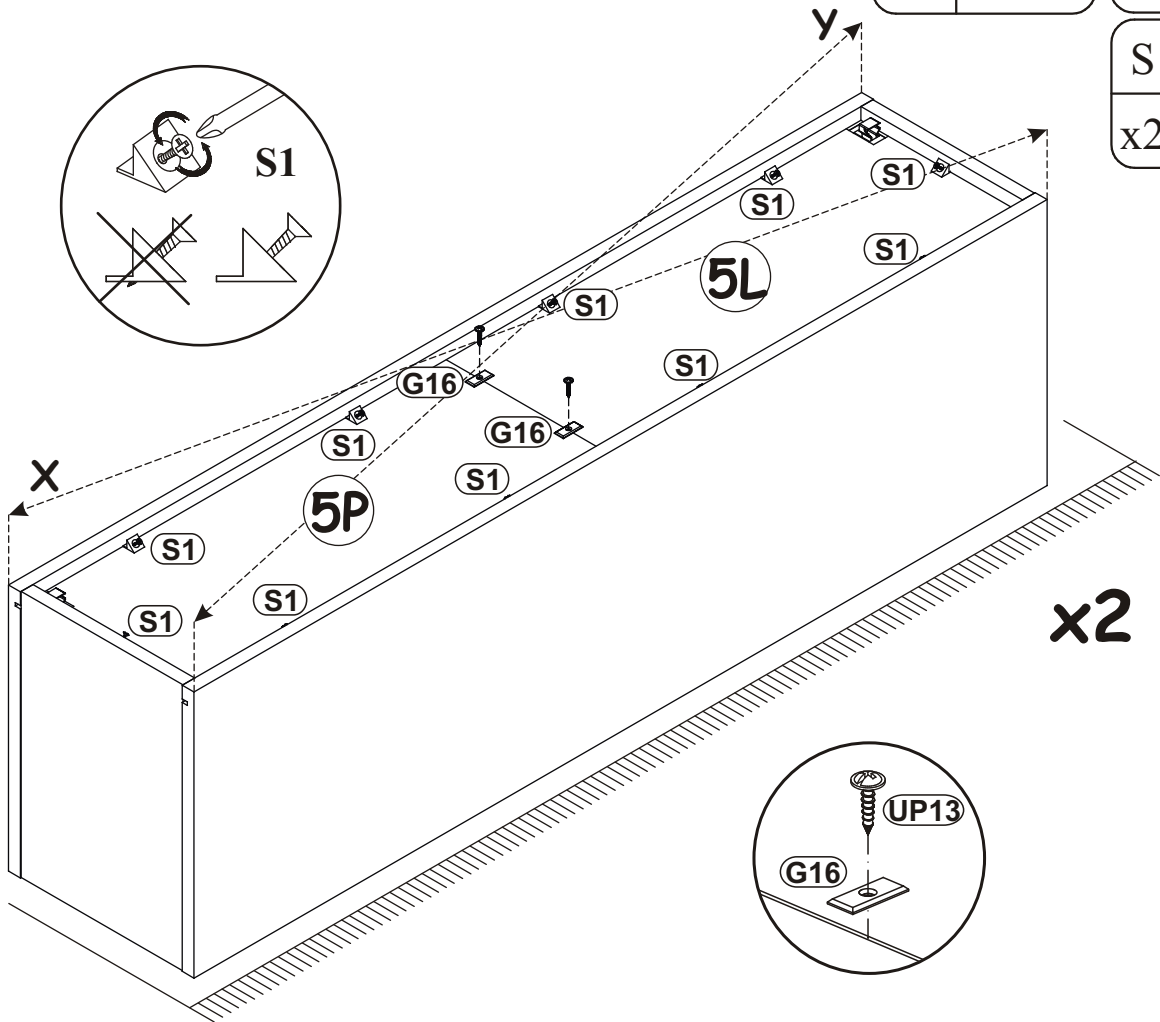
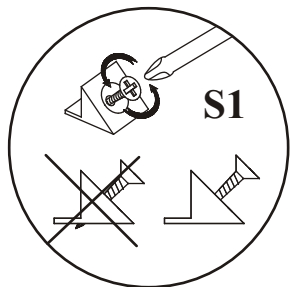
8



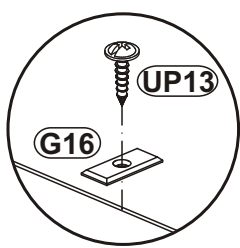
G16	
x4	

UP13	
x4	UPØ3x16



S1	
x20	

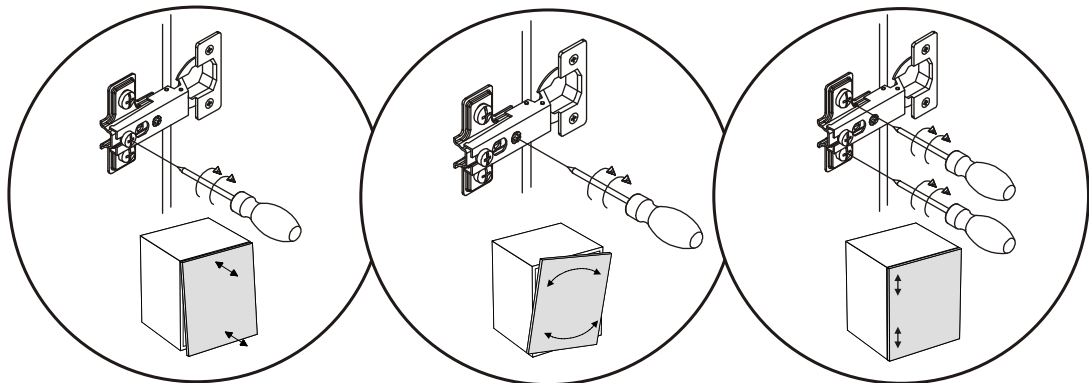
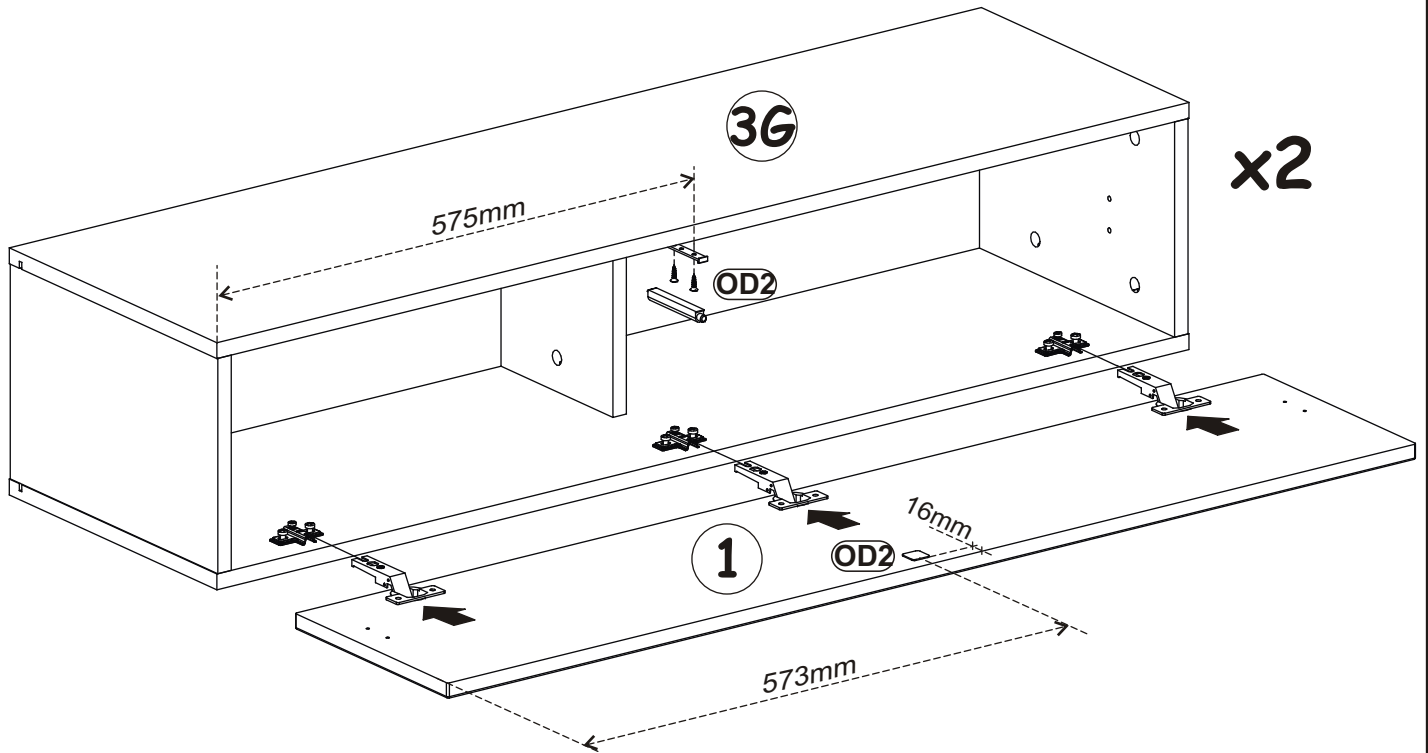
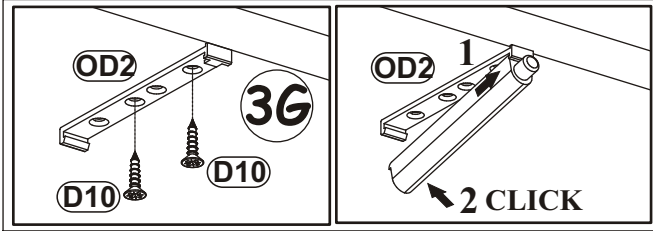


x2

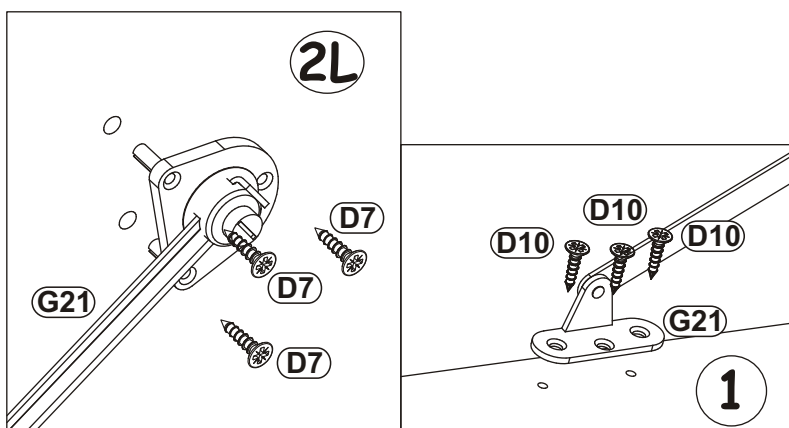
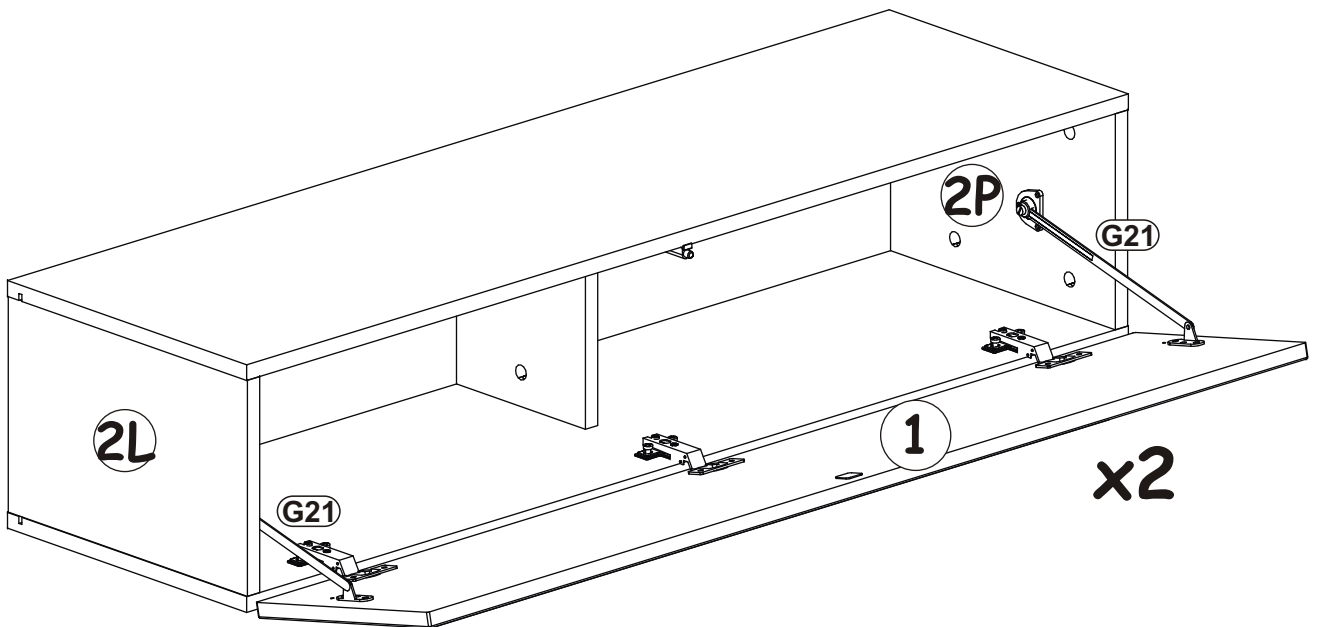
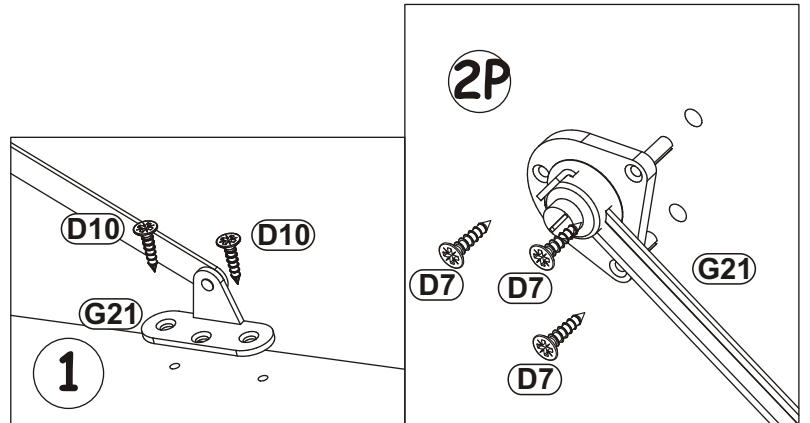
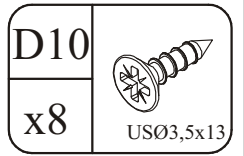
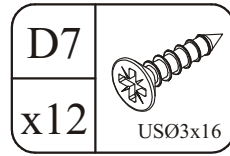
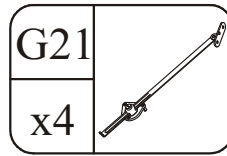


9

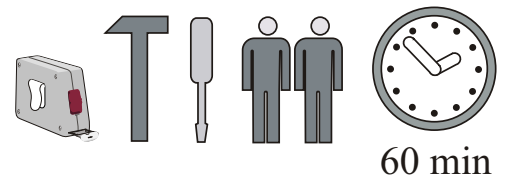
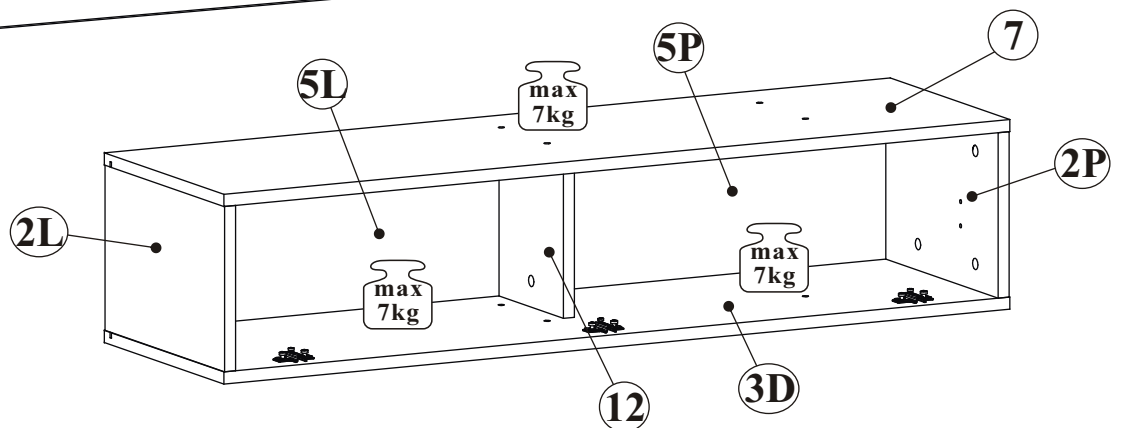
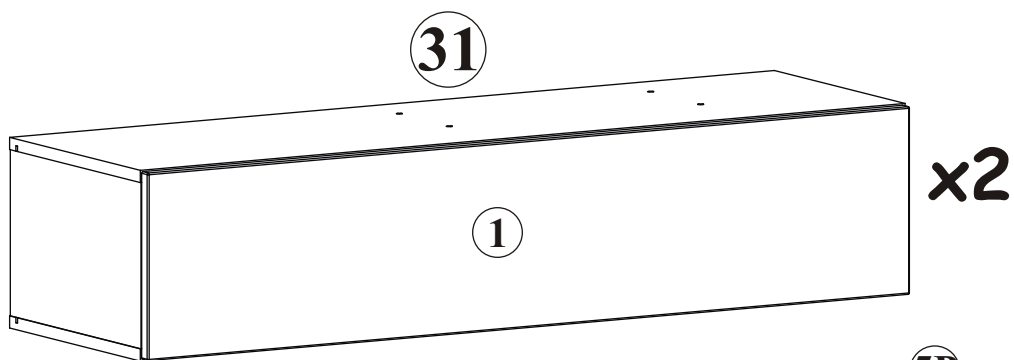
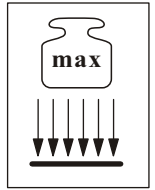
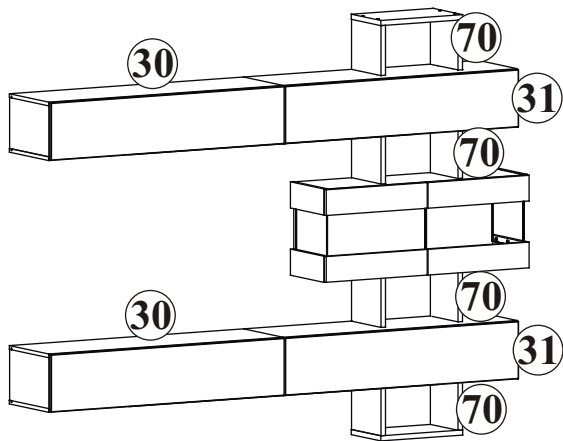
OD2		D10	
x2		x4	US03,5x13



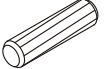
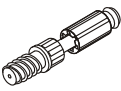
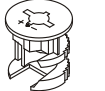

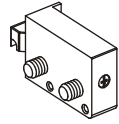
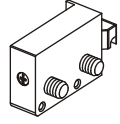
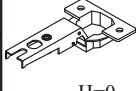
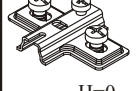

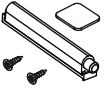


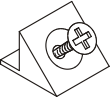
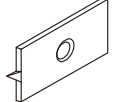



10

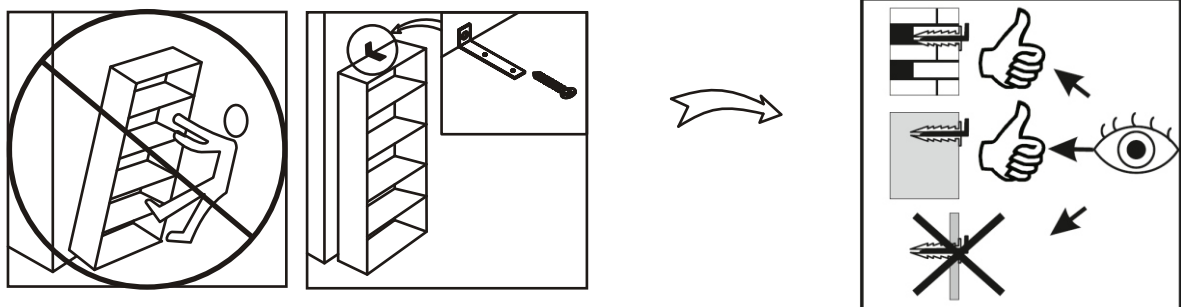
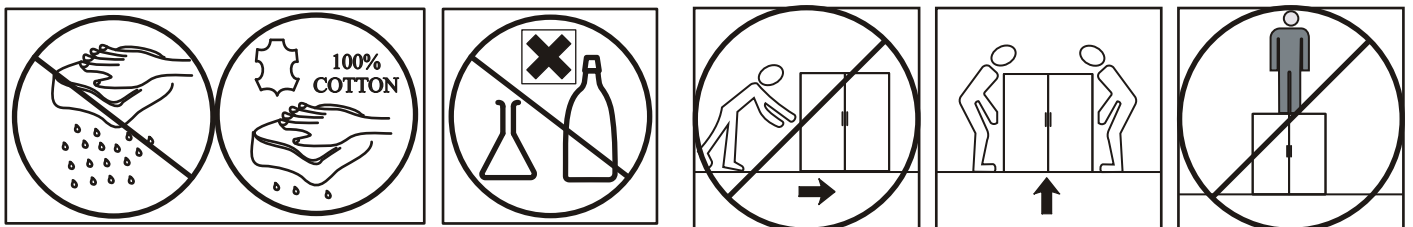
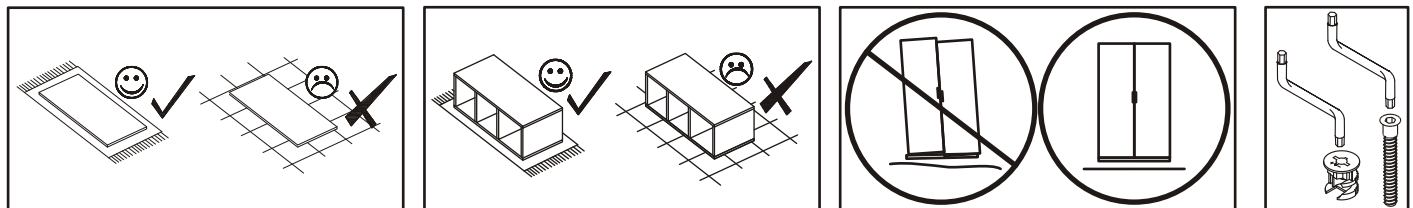
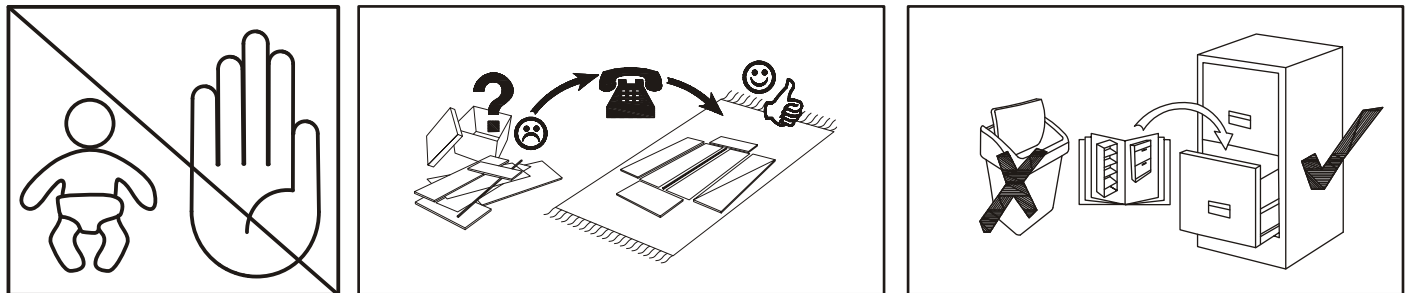
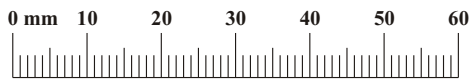


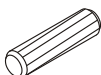
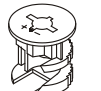
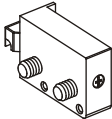
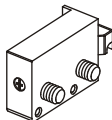
TOKYO 20_TK TYP 31



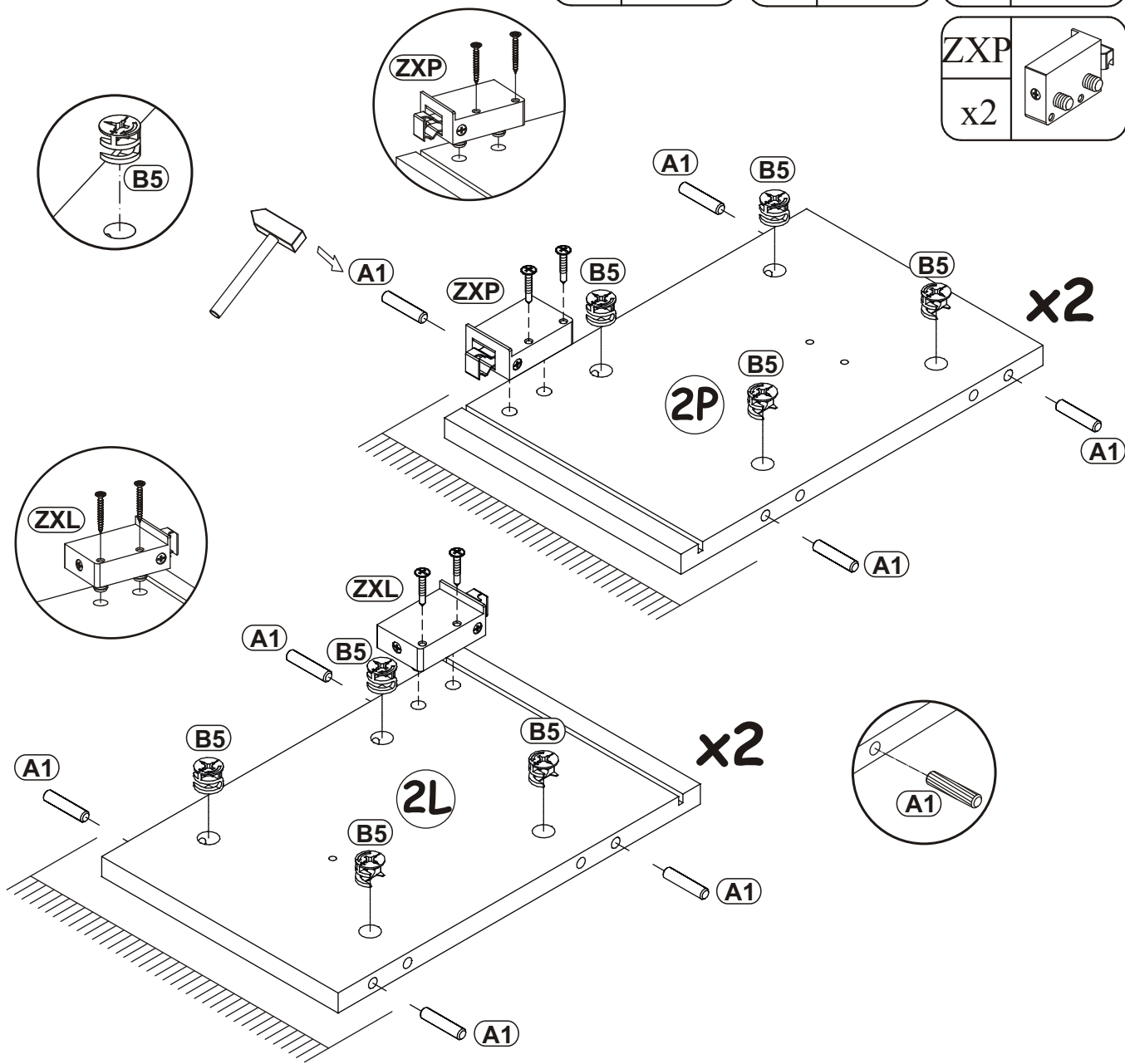
NO	Dim.			Col.-No	Qty
1	1146	246	16	3/5.	2
2L	218	334	16	2/5.	2
2P	218	334	16	2/5.	2
12	218	180	16	2/5.	2
3D	1150	334	16	2/5.	2
5L	564	230	3	2/5.	2
5P	564	230	3	2/5.	2
7	1150	334	16	2/5.	2

A1 x24  ø8x36	B4 x20 	B5 x20  Ø15x12	G5 x20 	ZXL x2 	ZXP x2 
E1 x6 Ø26 H=0 	E2 x6 H=0 	D10 x24 USØ3,5x13 	OD2 x2 	G21 x4 	D7 x12 USØ3x16 
S1 x20 	G16 x4 	UP13 x4 UPØ3x16 	KR3 x4 Ø10 	G2 x1 	

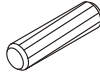



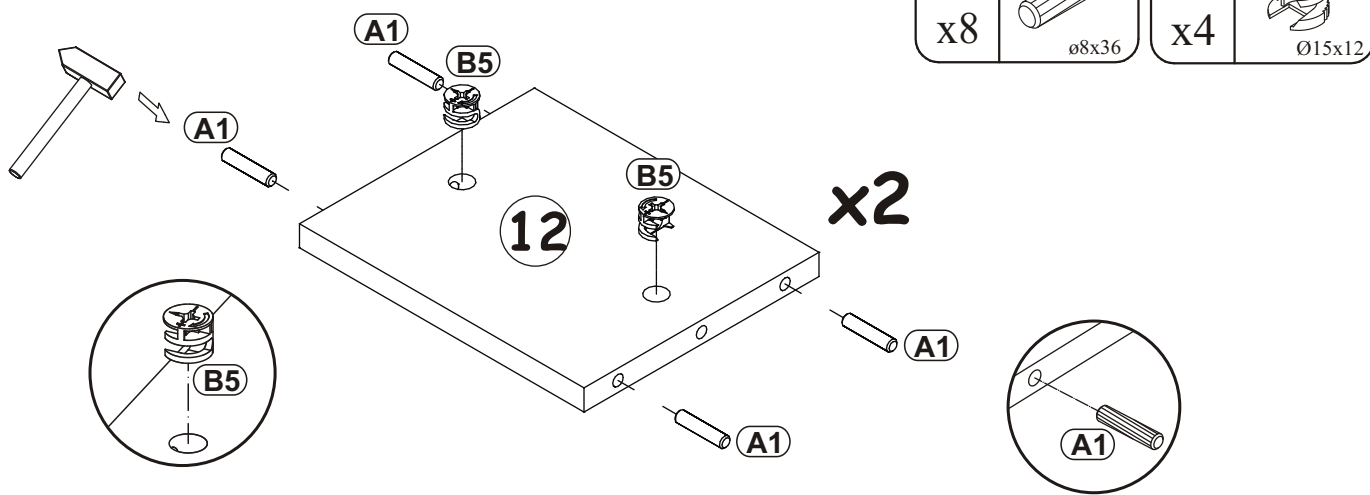
A1		B5		ZXL	
x16	ø8x36	x16	Ø15x12	x2	
				ZXP	
				x2	

1



2

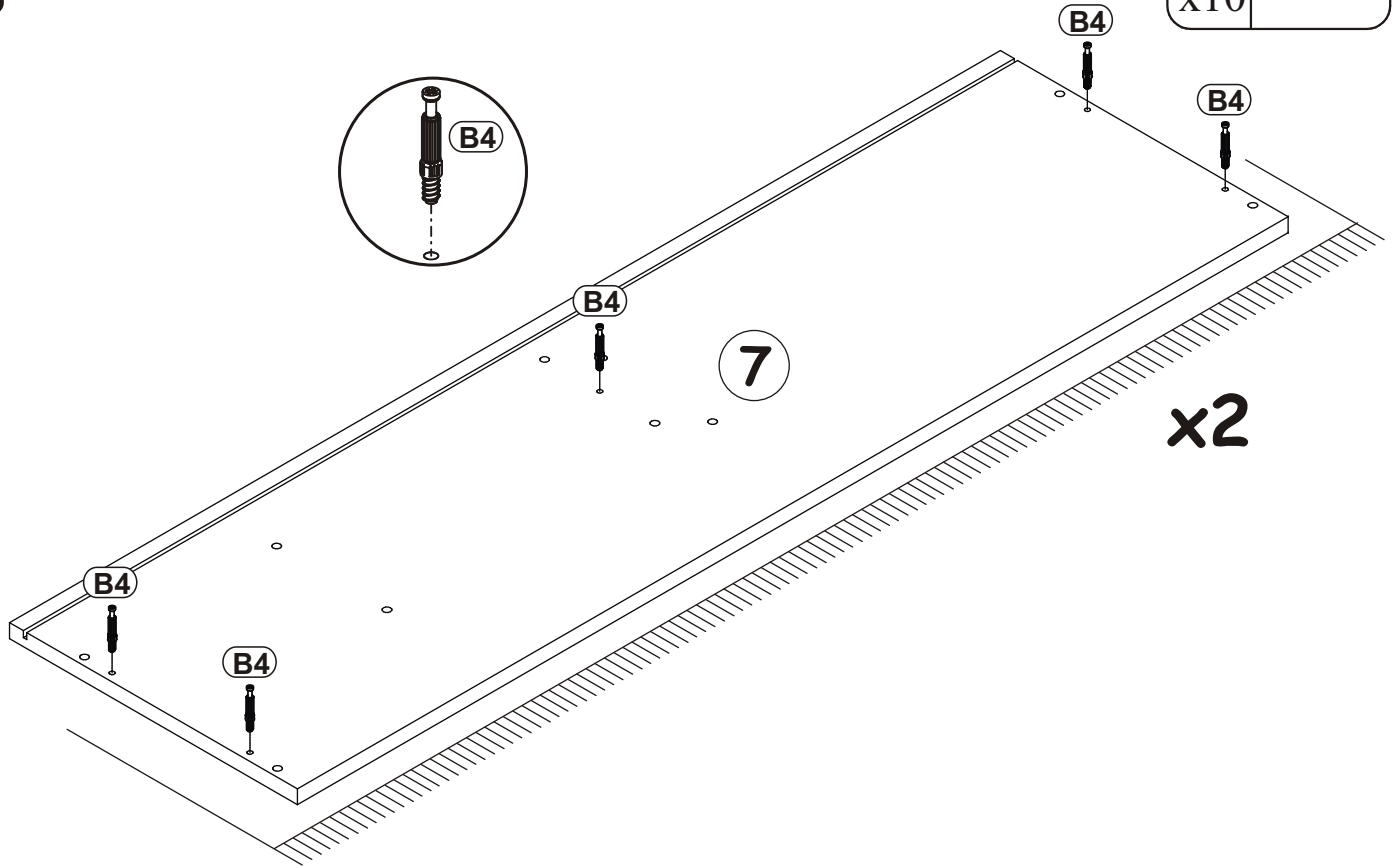
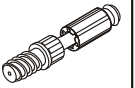
A1		B5	
x8	ø8x36	x4	Ø15x12



3

B4

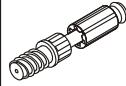
x10



4

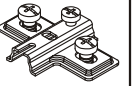
B4

x10

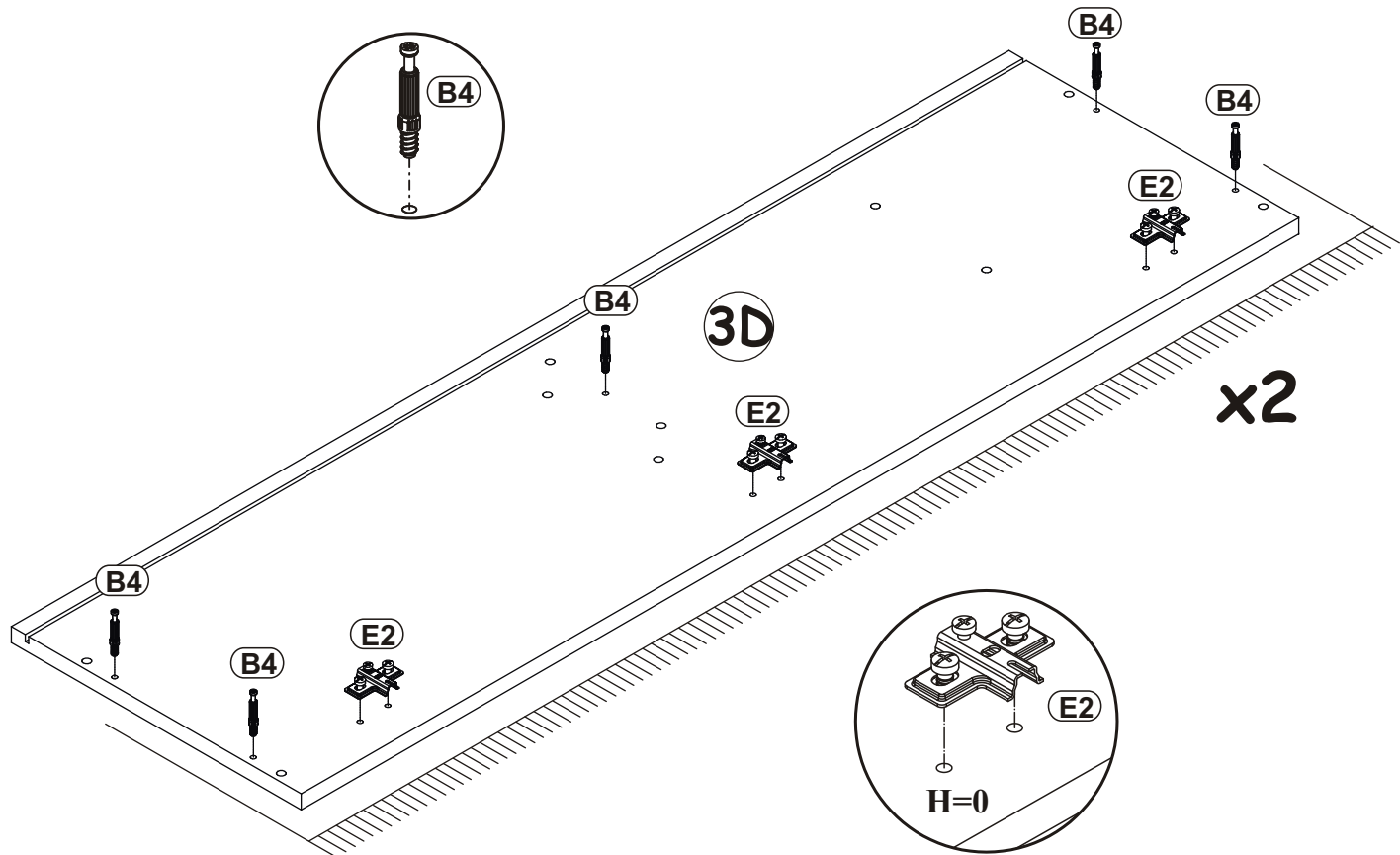


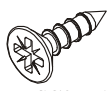
E2

x6

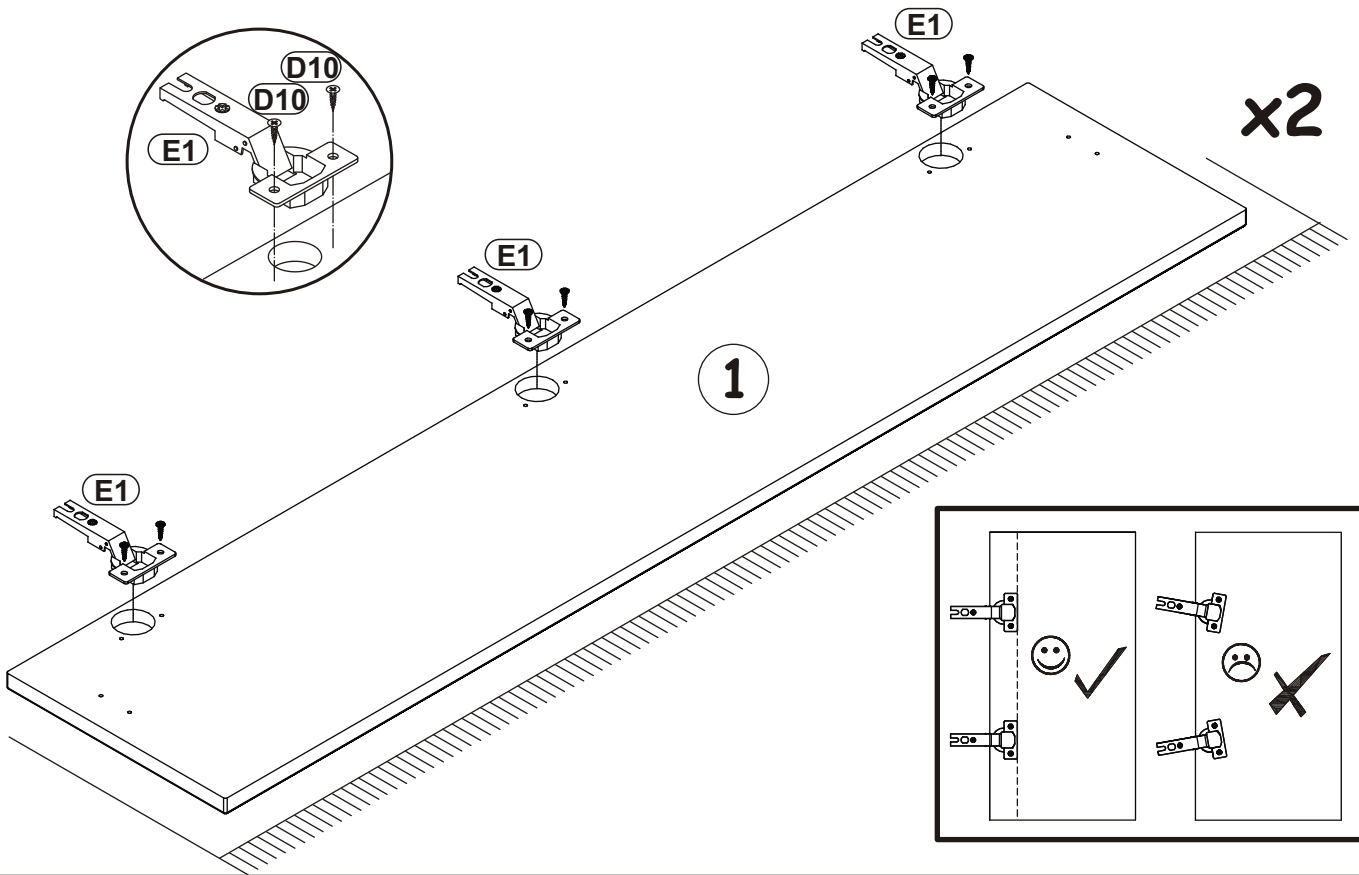


H=0

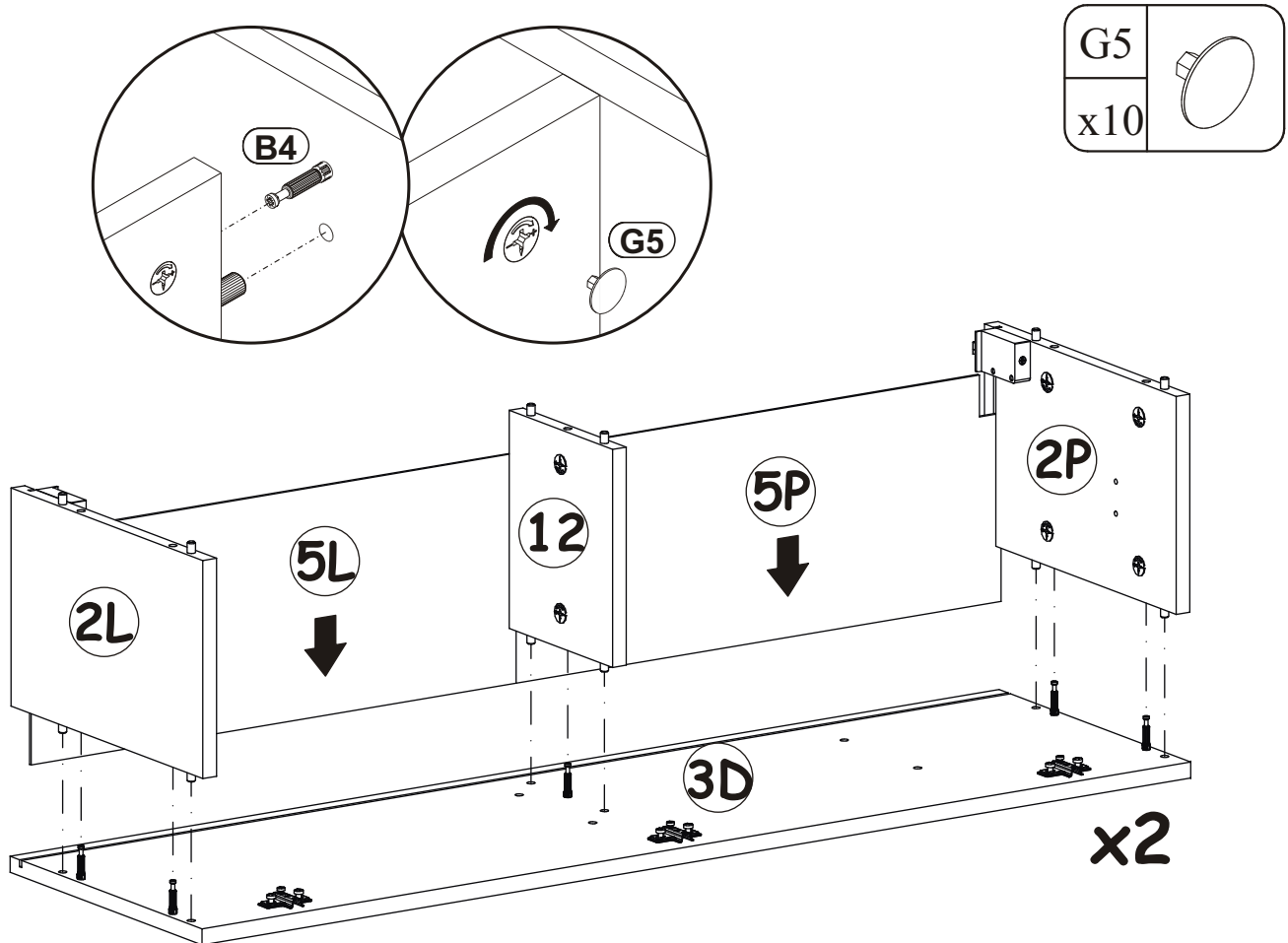


E1	Ø26	D10	
x6	H=0	x12	

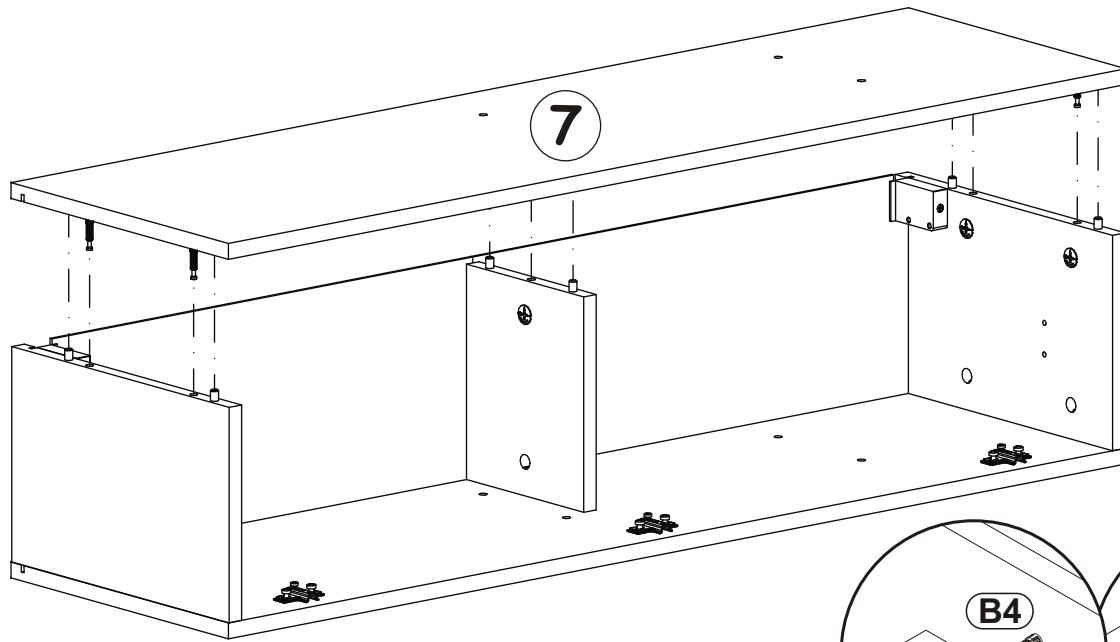
5



6

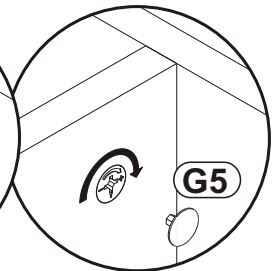
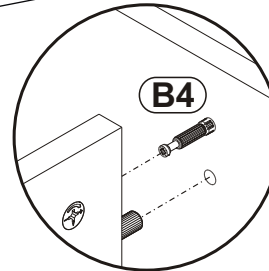


7



G5	
x10	

x2



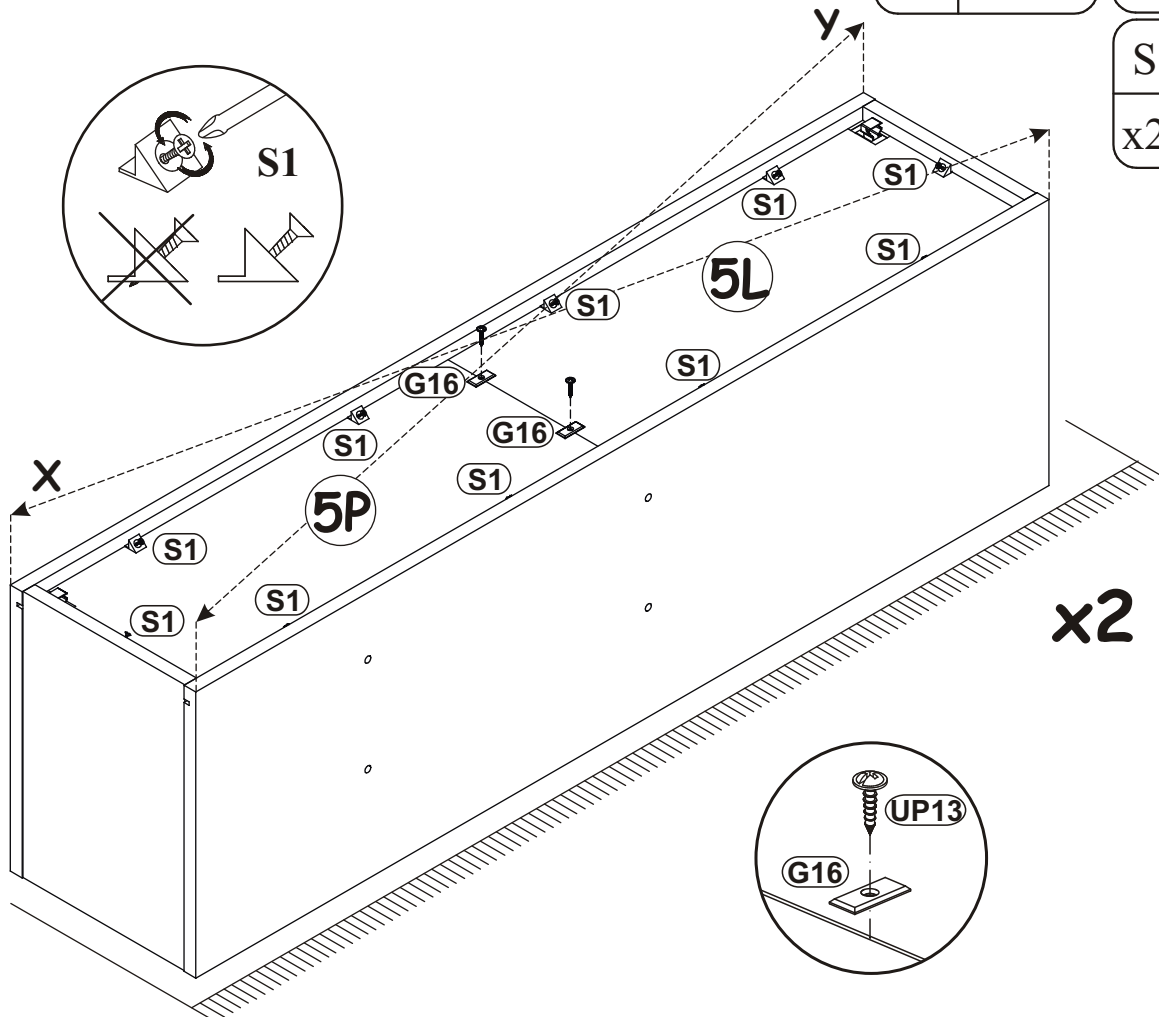
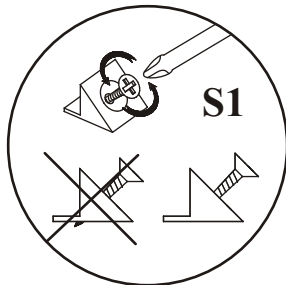
8



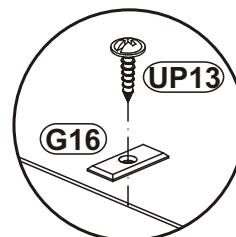
G16	
x4	

UP13	
x4	UPØ3x16



S1	
x20	

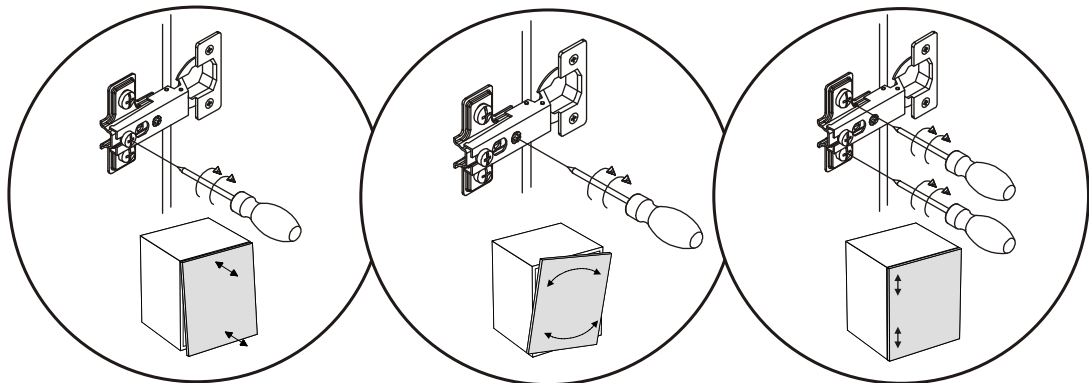
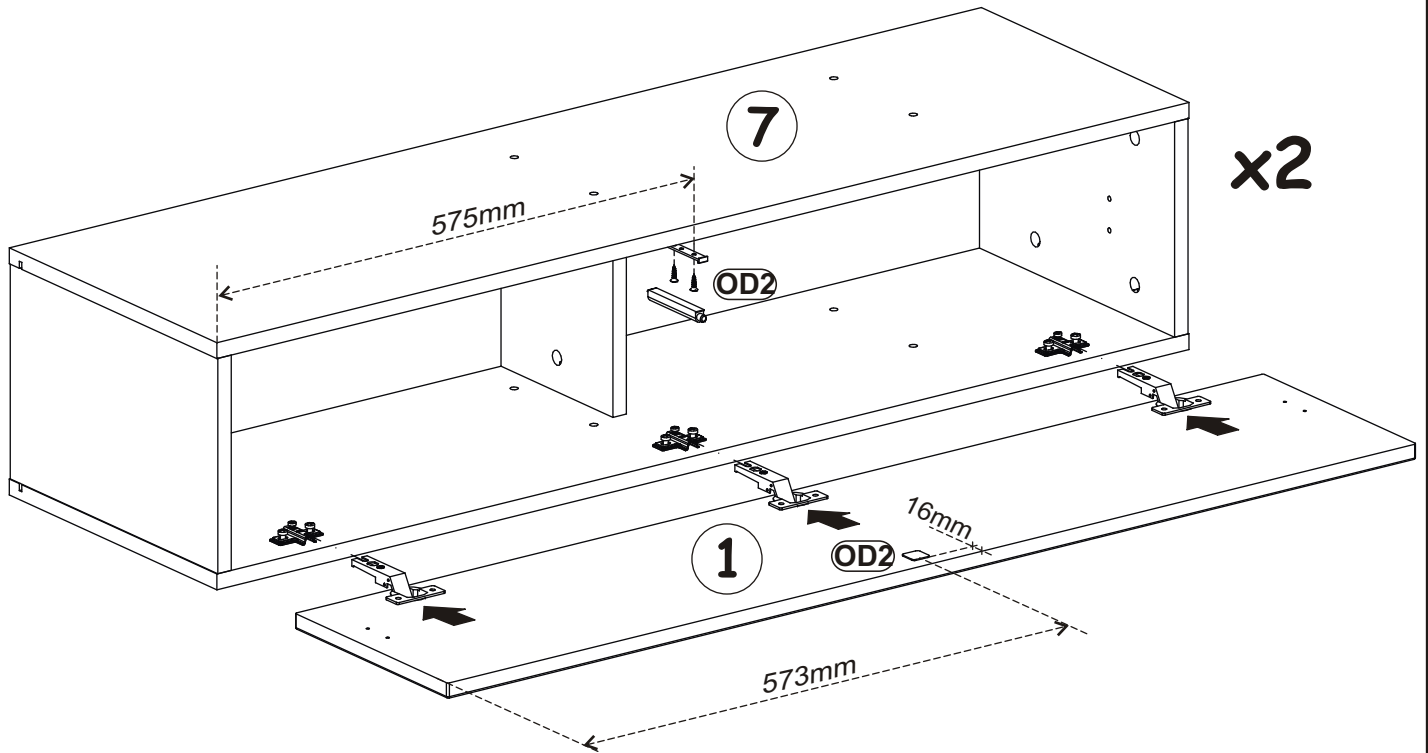
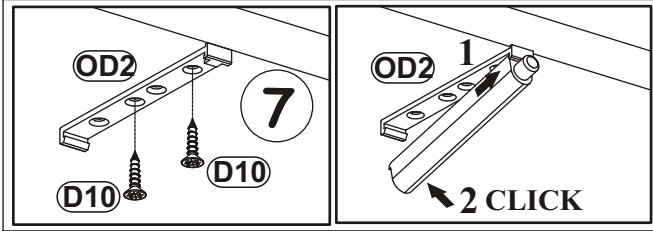


x2

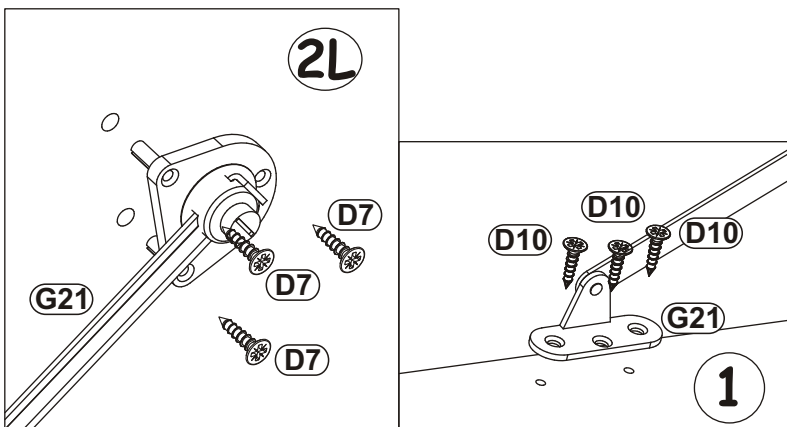
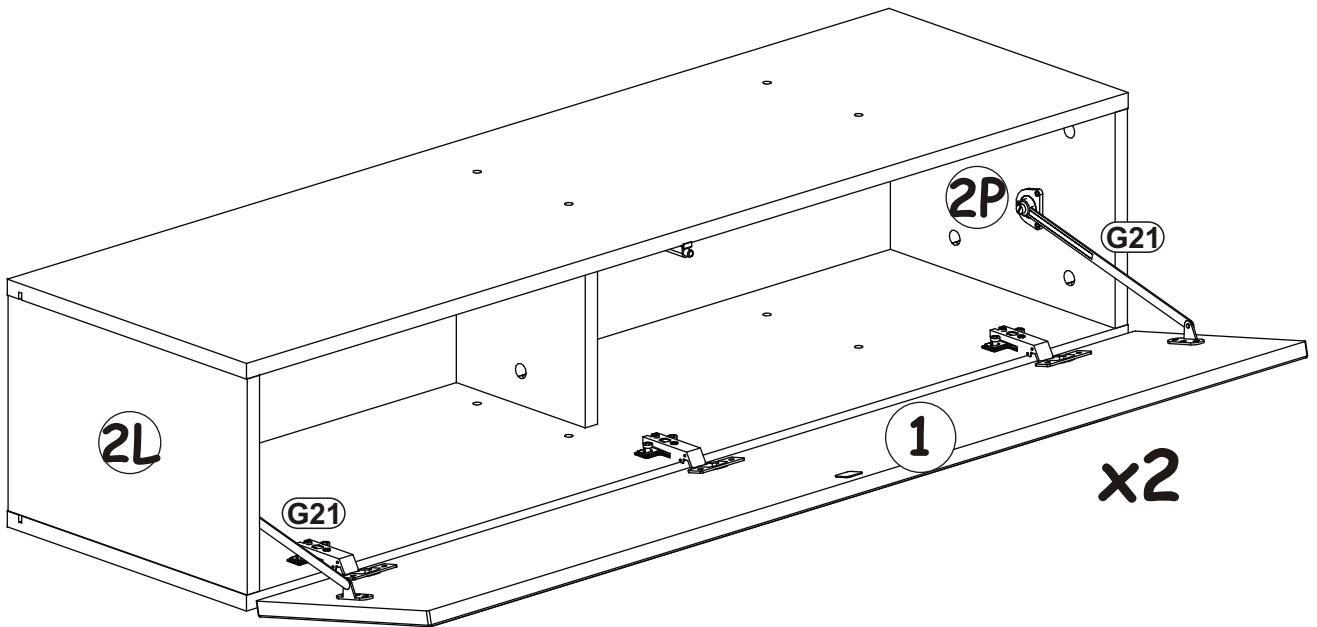
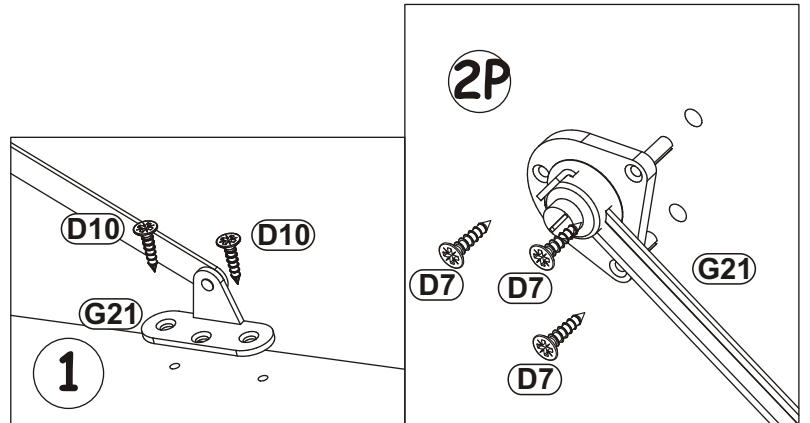
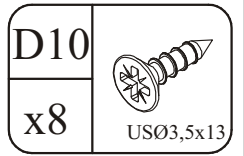
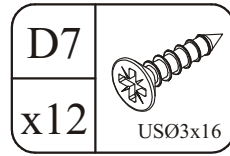
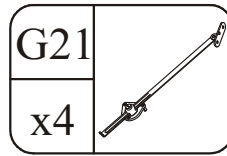


9

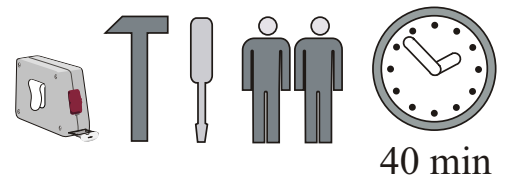
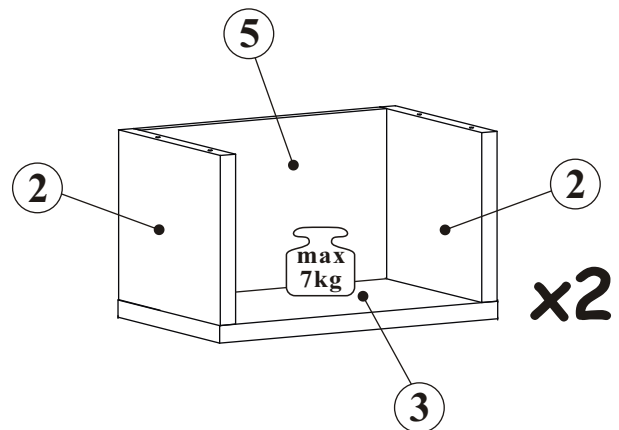
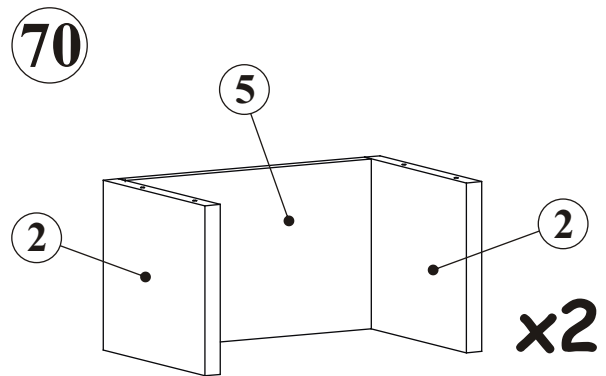
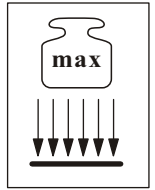
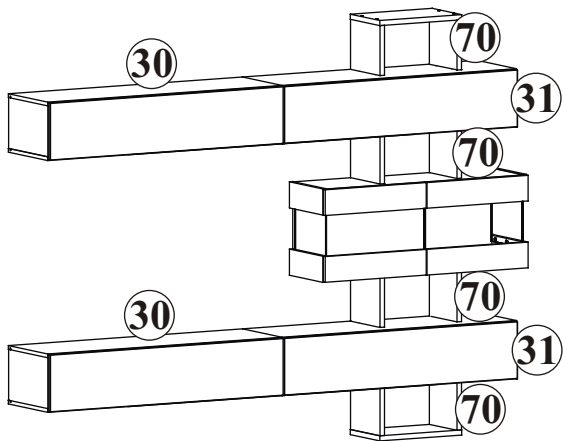
OD2		D10	
x2		x4	US03,5x13



10

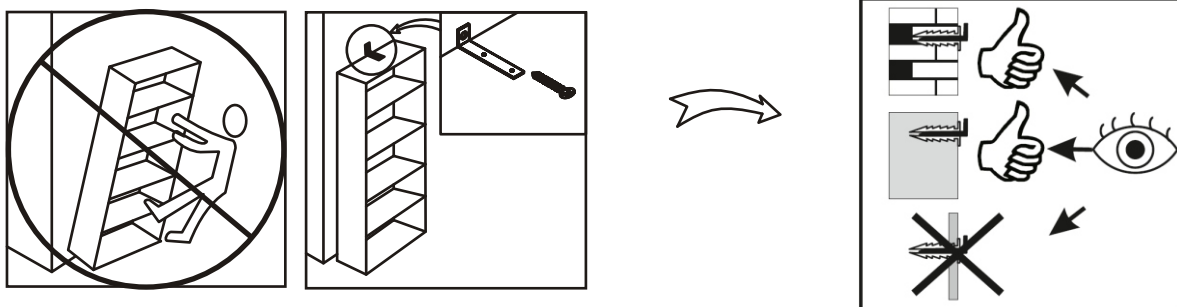
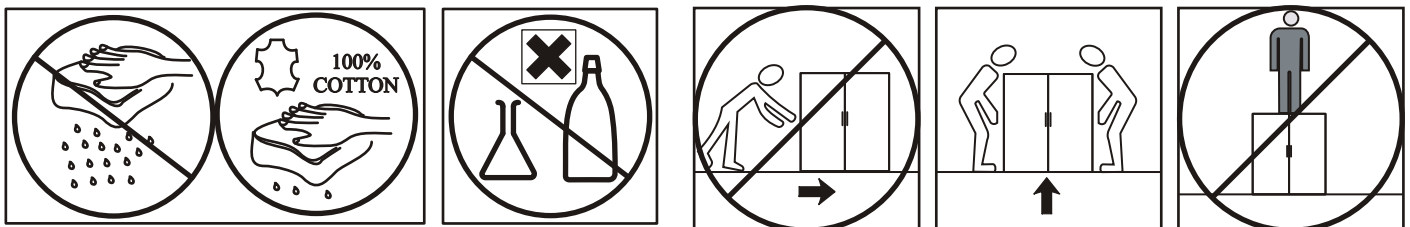
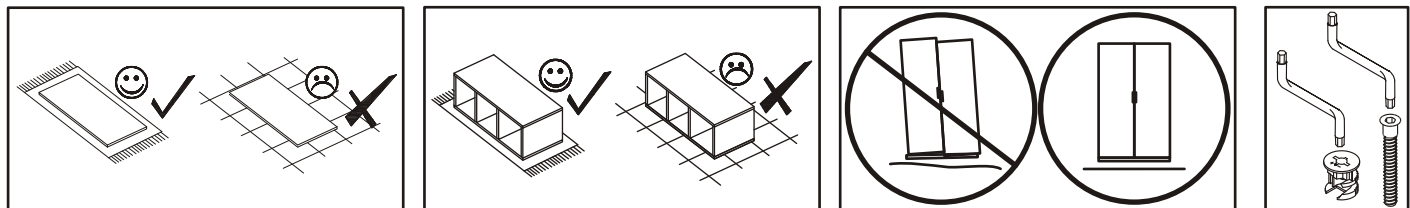
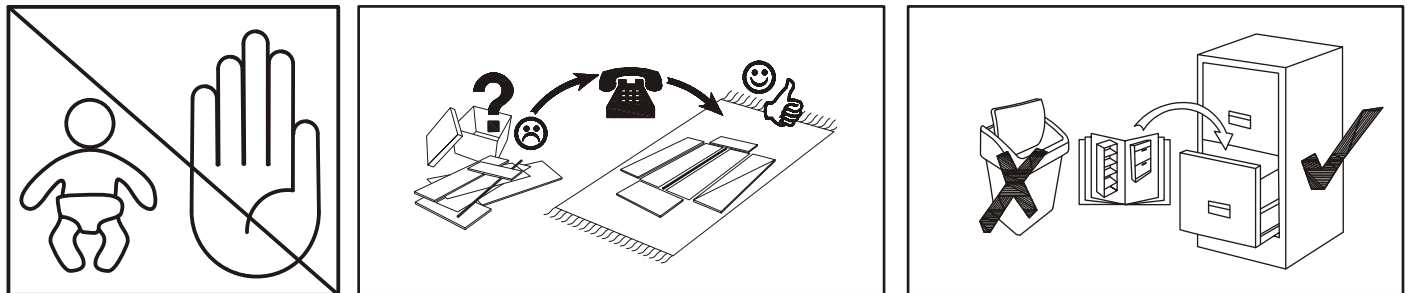
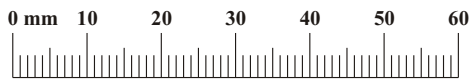


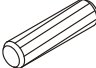

TOKYO 20_TK TYP 70



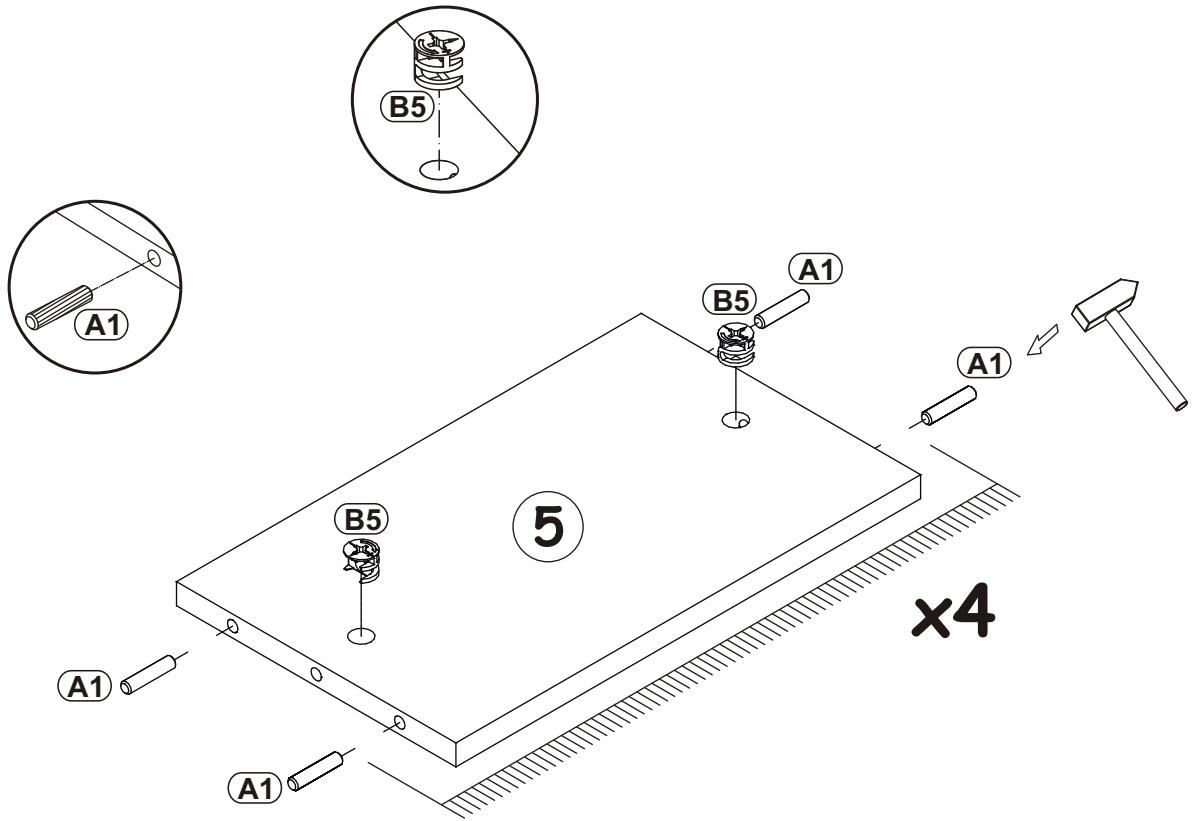
NO	Dim.			Col.-No	Qty
2	214	250	22	5/5.	8
3	402	250	22	5/5.	2
5	356	214	16	5/5.	4

A1 x16 ø8x36	B4 x8	B5 x8 Ø15x12	G5 x8	B11 x24 Ø7x50	G4 x24
G2 x1					

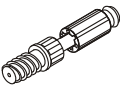


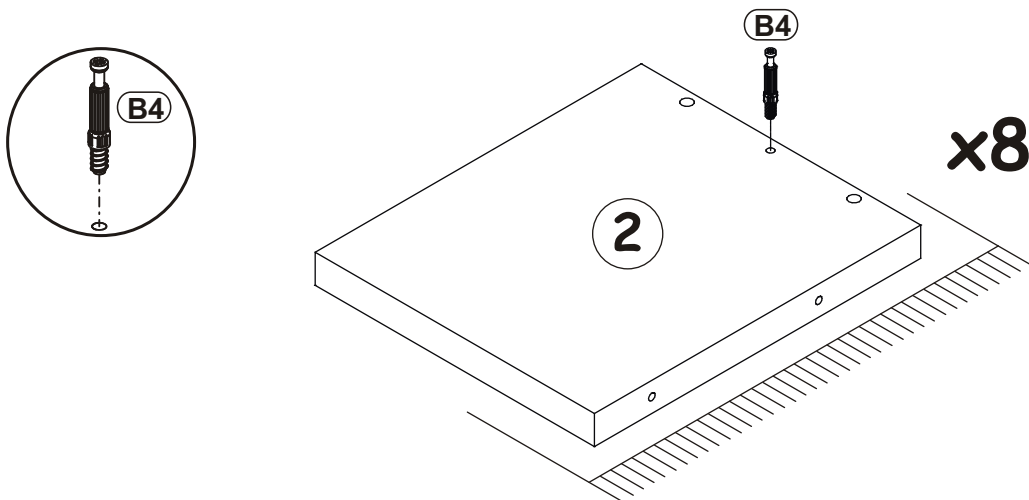
A1	 ø8x36	B5	 Ø15x12
x16		x8	

1



2

B4	
x8	

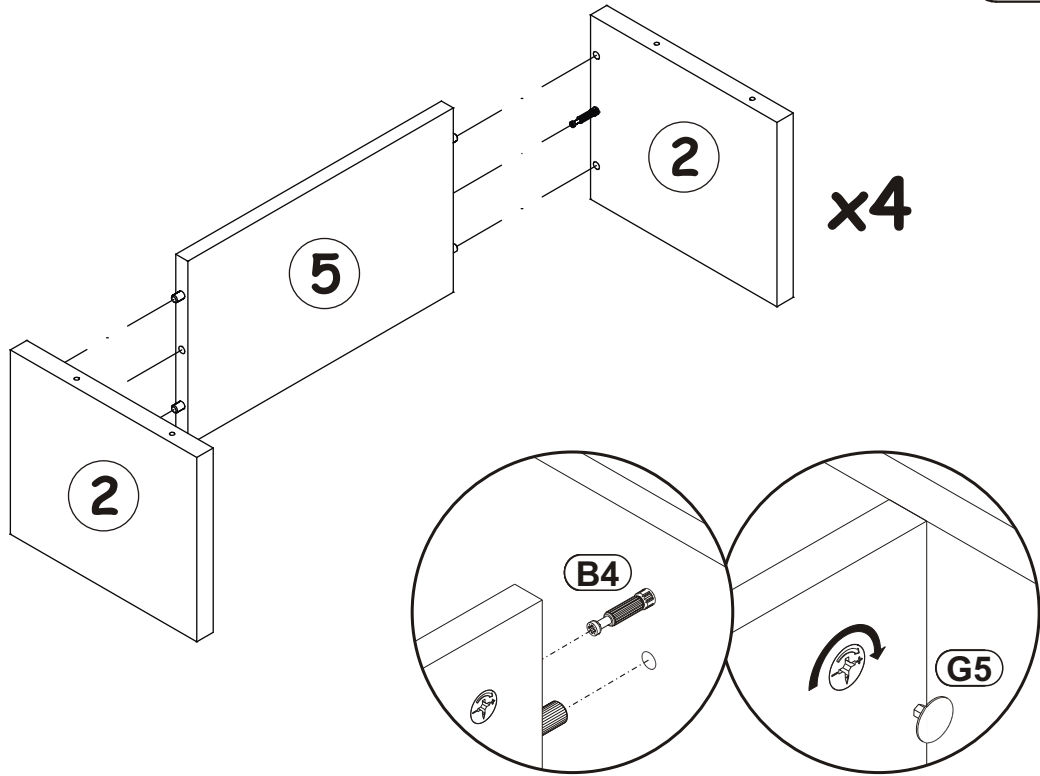


G5

x8



3



4

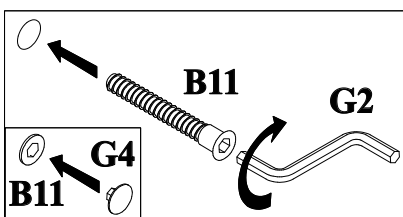
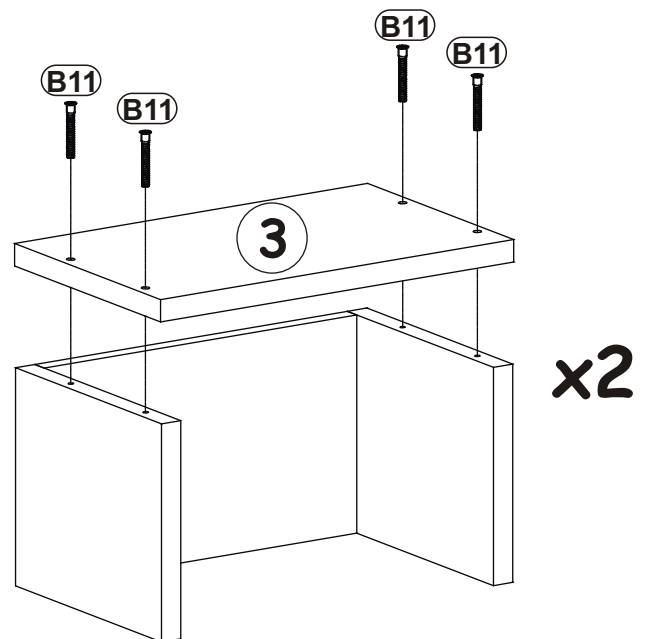
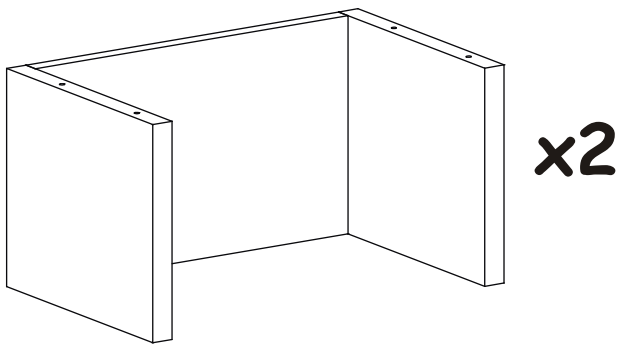
B11



x8



G4

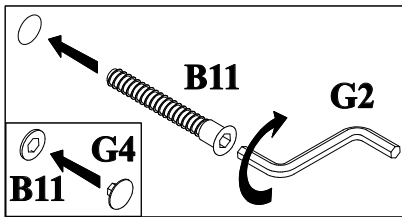
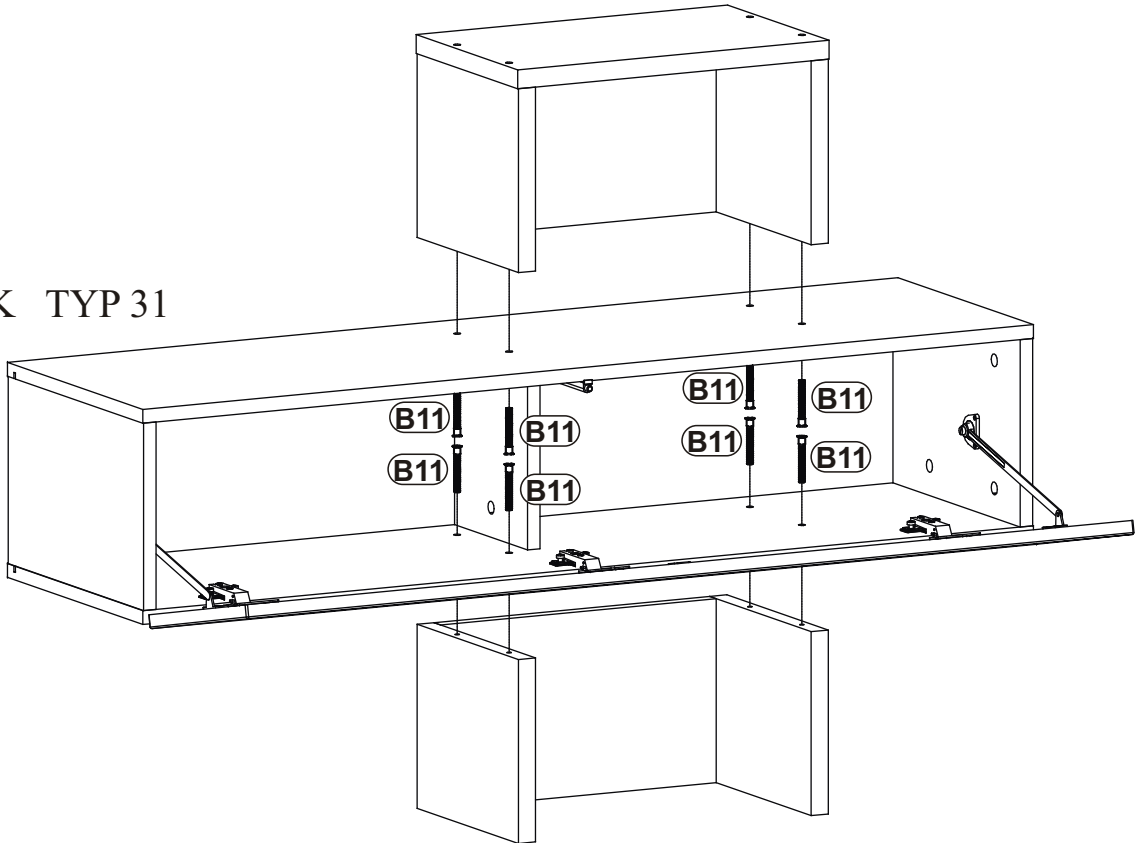
x8



B11		G4	
x16	Ø7x50	x16	

5

20__TK TYP 31



20__TK TYP 31

