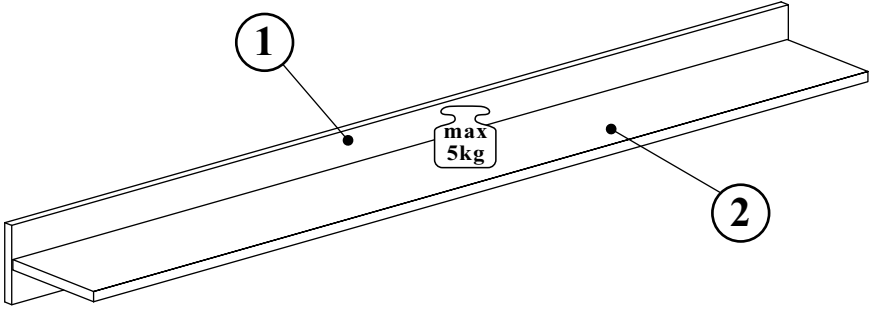
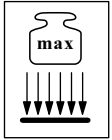
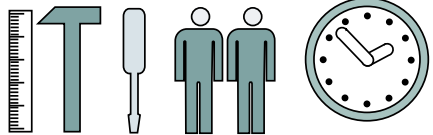


PLANK 29_PNPW



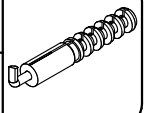


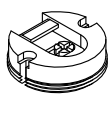



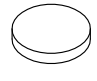
NO	Dim.			Col-No	Qty
1	1500	124	16	1	1
2	1496	184	16	1	1

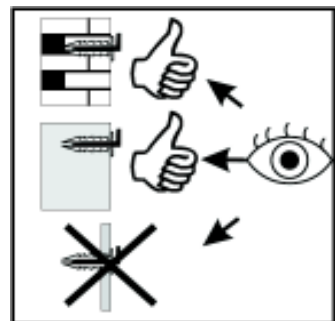
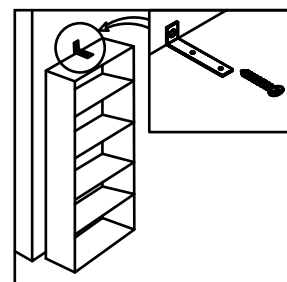
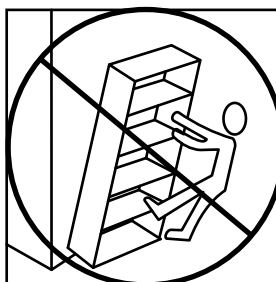
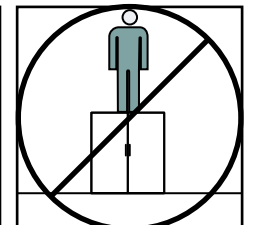
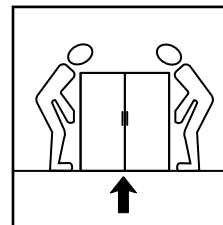
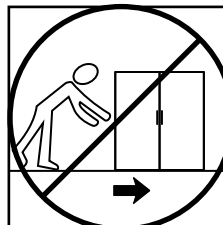
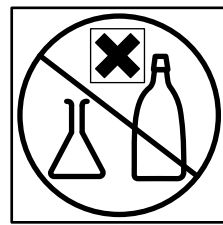
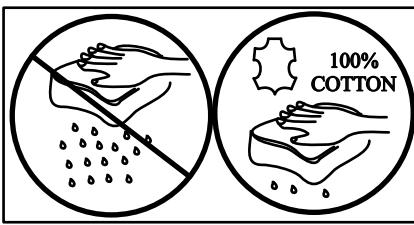
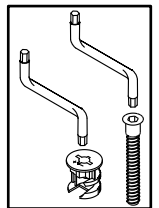
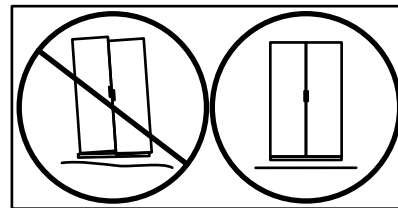
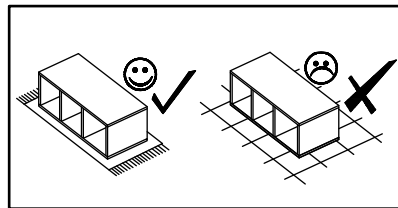
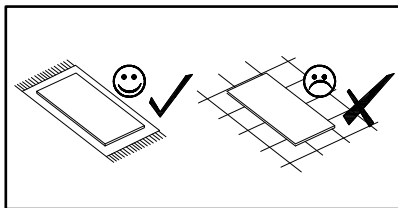
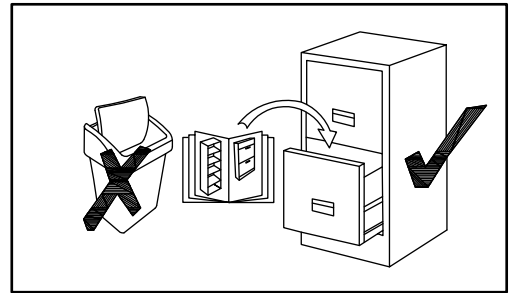
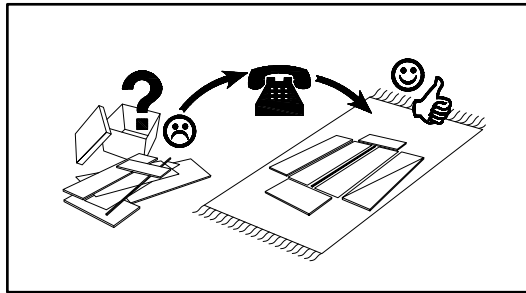
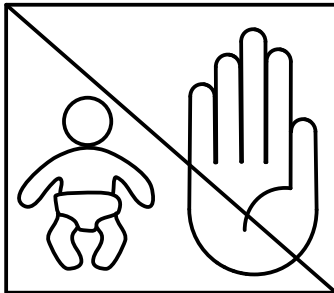
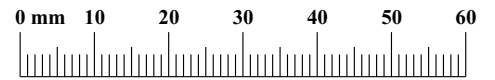


30 min



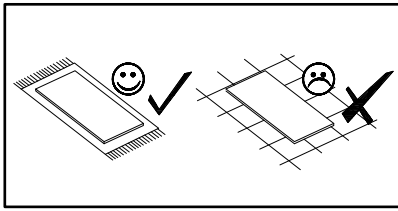
PLANK 29_PNPW

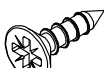
KR3 x2		B11 x5	 Ø7x50	G4 x5		ZM1 x2		D28 x4	 ESØ6x9,5	G2 x1	
D10 x2	 USØ3,5x13	P3 x2									

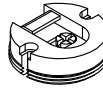



PLANK 29_PNPW

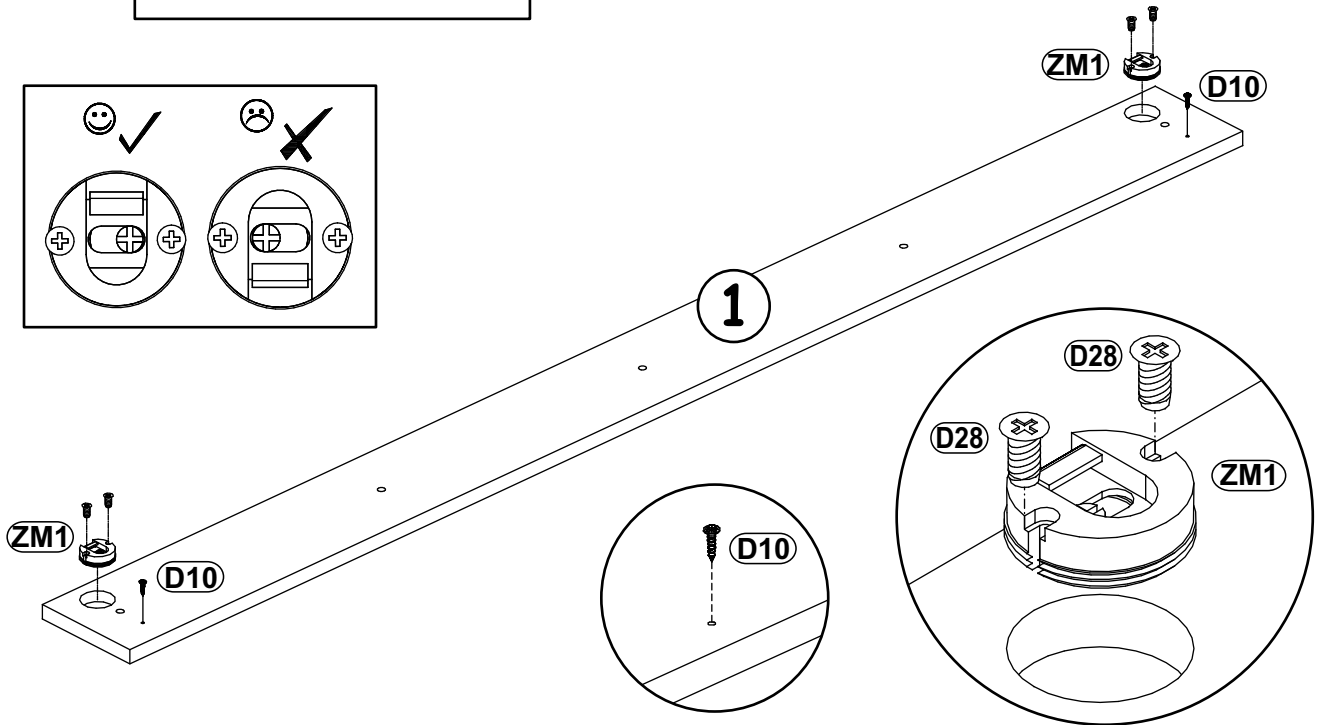
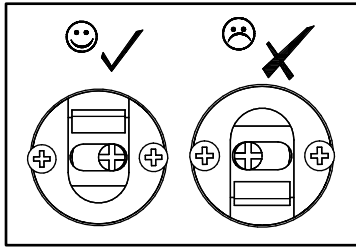
1



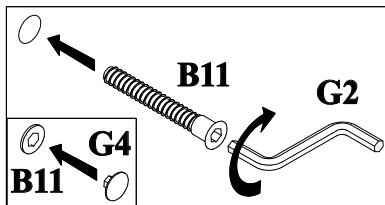
D10	
x2	USØ3,5x13


ZM1	
x2	


D28	
x4	ESØ6x9,5

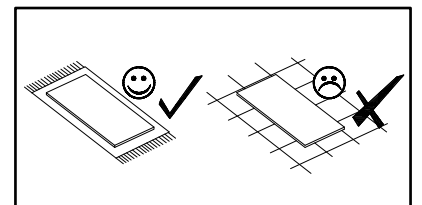
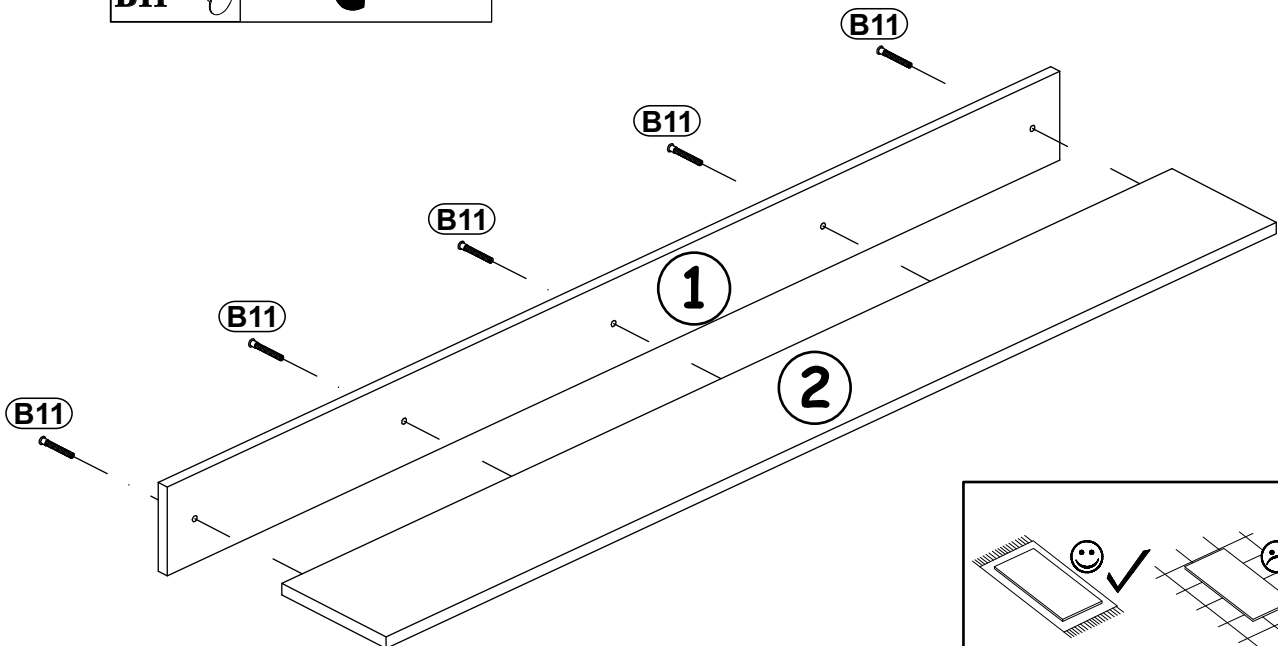


2

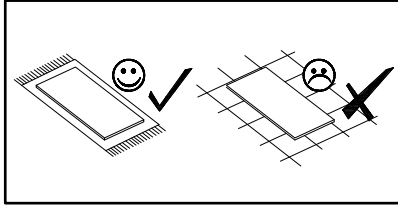


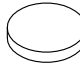
B11	
x5	Ø7x50

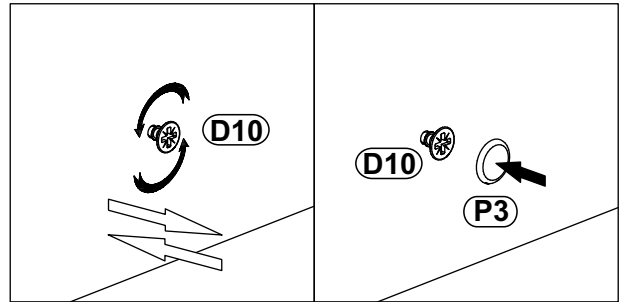
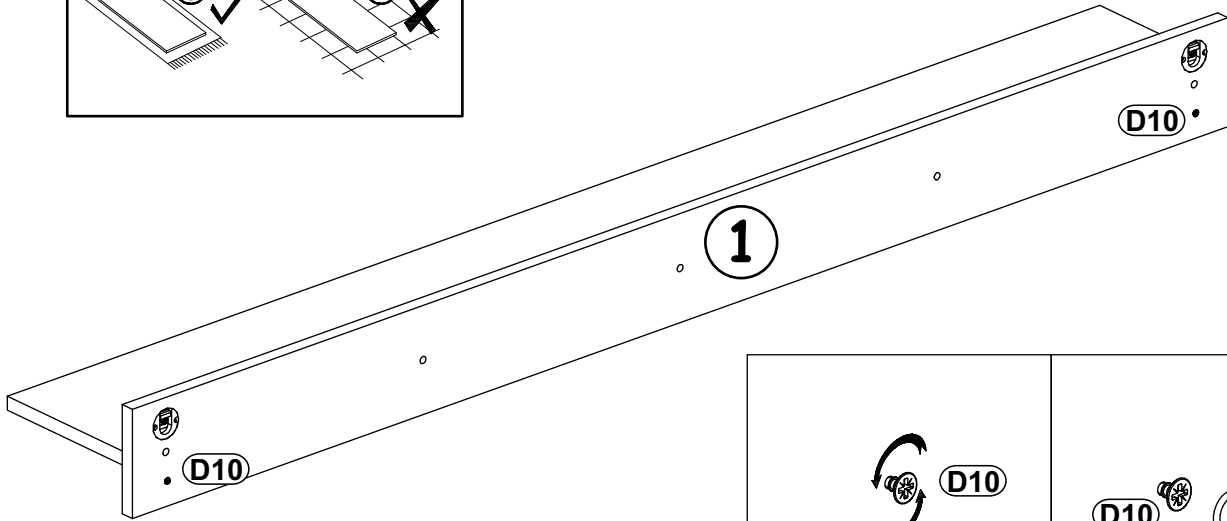
G4	
x5	



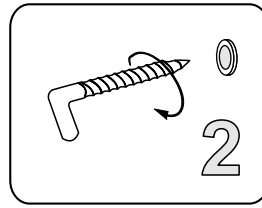
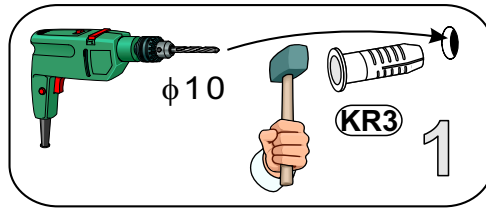
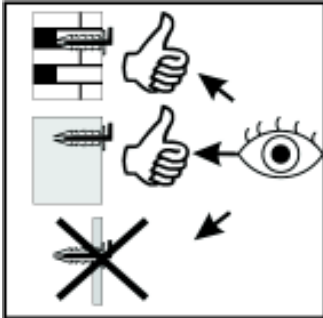
3




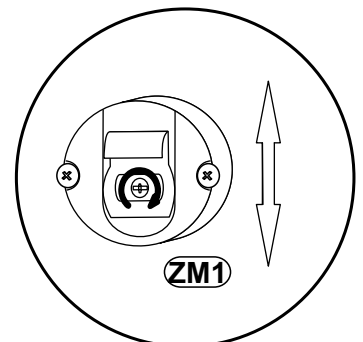
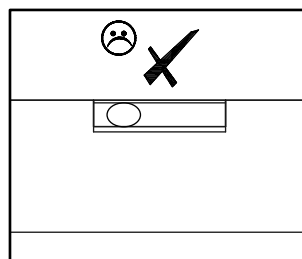
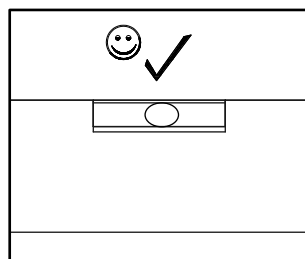
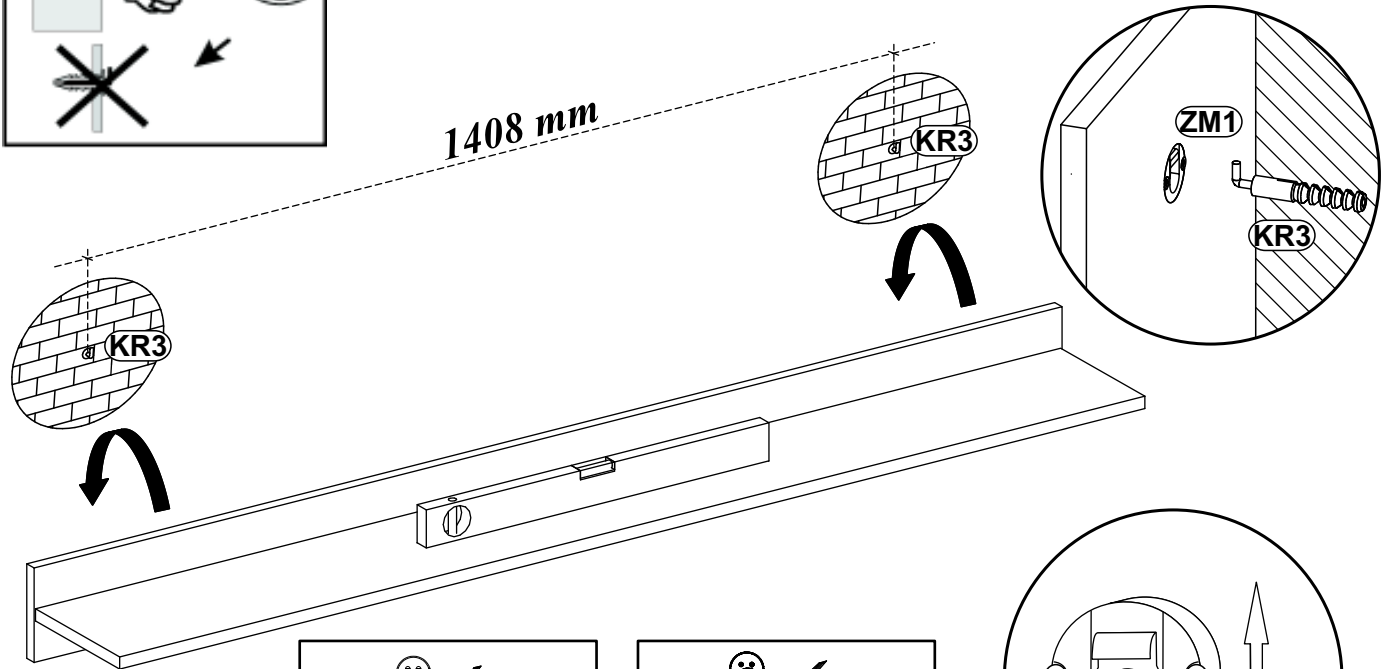
P3	
x2	



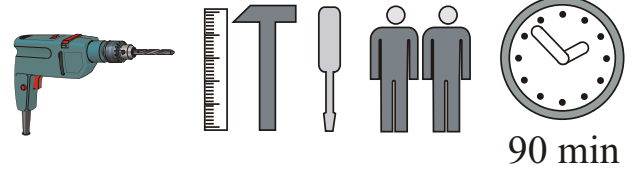
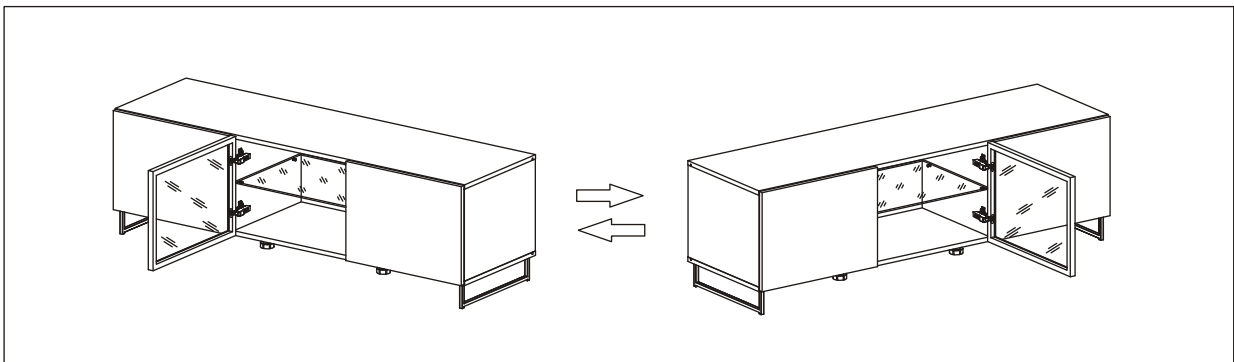
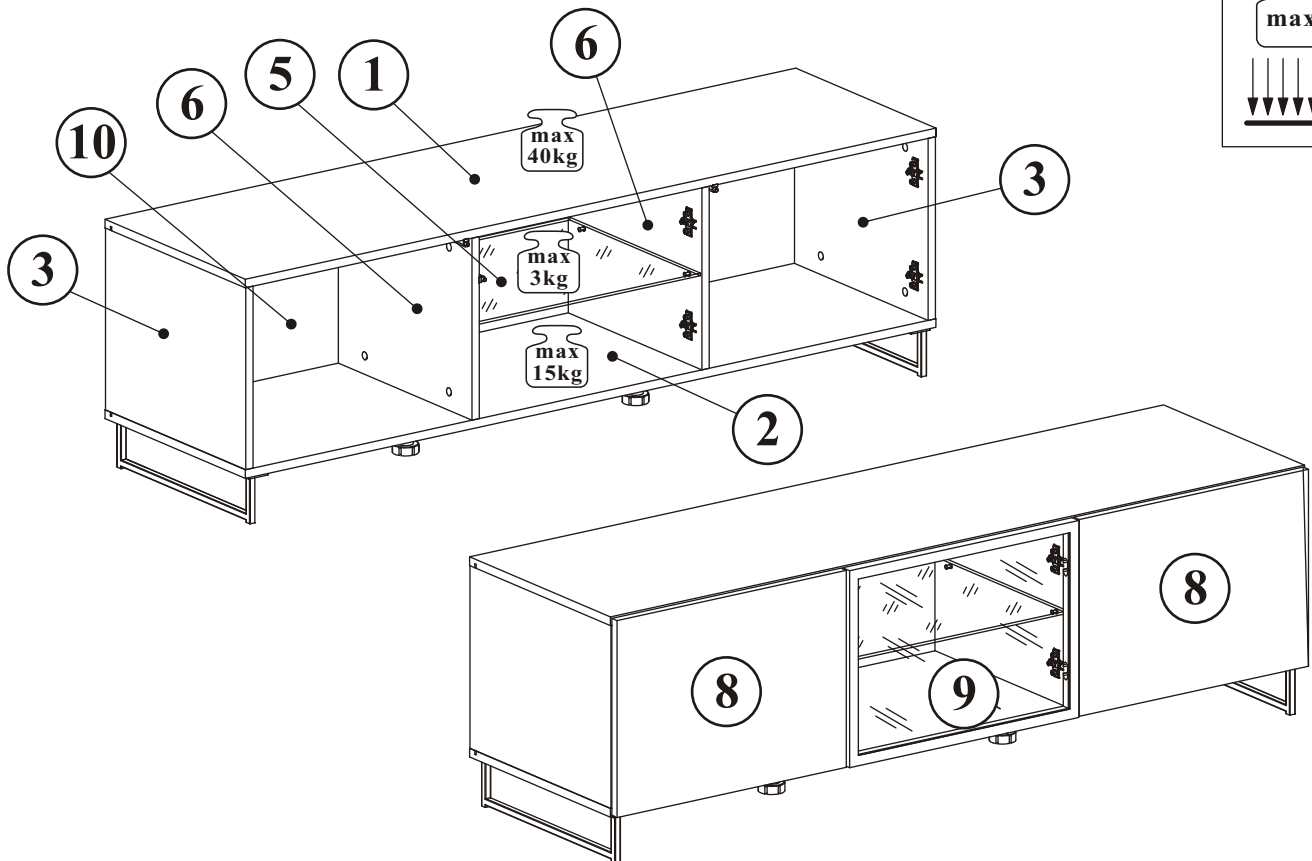
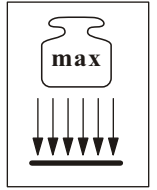
4



KR3	
x2	



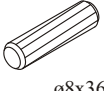
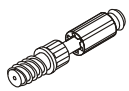


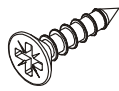
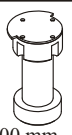
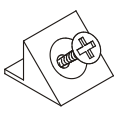
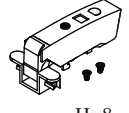
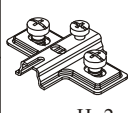
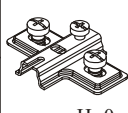
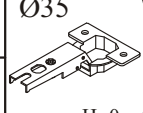
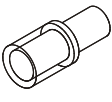


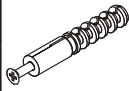
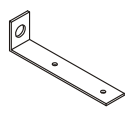
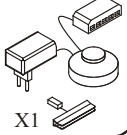


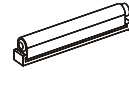
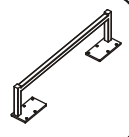
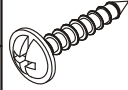
PLANK 29_PNRTV

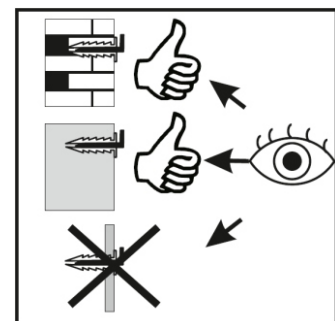
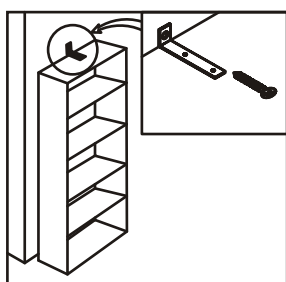
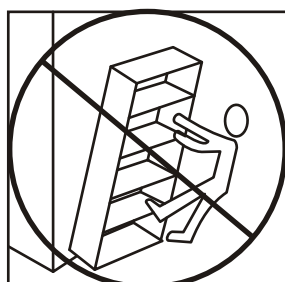
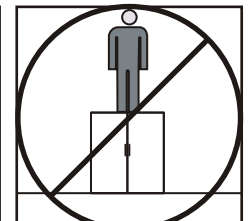
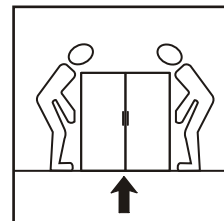
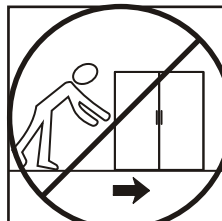
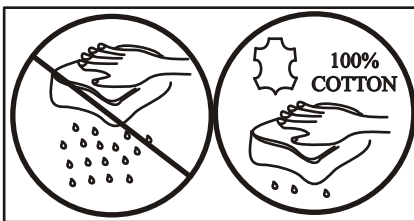
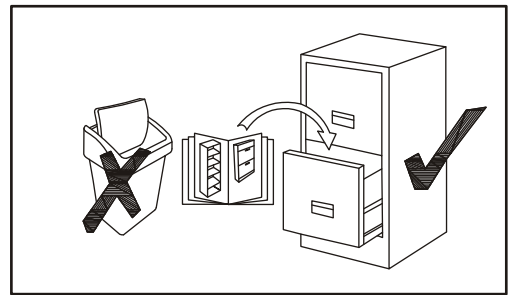
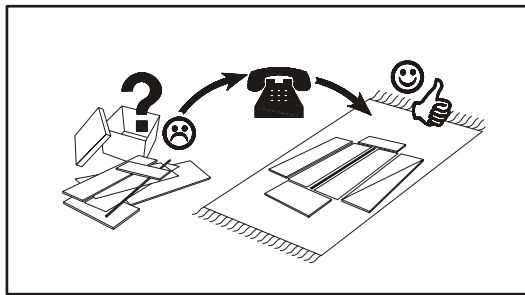
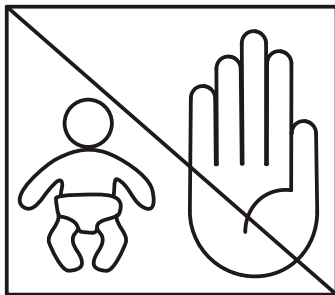
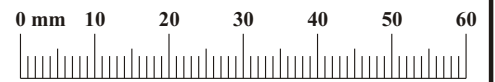


90 min

NO	Dim.			Col-No	Qty
1	1502	426	16	2	1
2	1502	426	16	2	1
3	338	426	16	1	2
5	483	396	5	2	1
6	338	406	16	1	2
8	496	364	16	1	2
9	496	364	21	1	1
10	1480	350	3	2	1

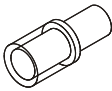
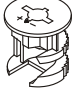
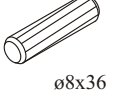
PLANK 29_PNRTV

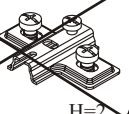
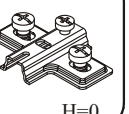
A1 x16  ø8x36	B4 x16 	B5 x16  ø15x12	G5 x16 	D30 x8  USØ3,5x16	I12 x2  L-100 mm.
S1 x14 	E31 x2  H=8	E4 x2  H=2	E2 x4  H=0	E21 x4  Ø35 H=0	G20 x4 
UP13 x6  UPØ3x16	D10 x16  USØ3,5x13	KR1 x1 	L1 x1 	LED x1  x1	G2 x1 
Z2 x4  ø5	T1 x3 	ST6 x2 	UP5 x16  UPØ4x16		

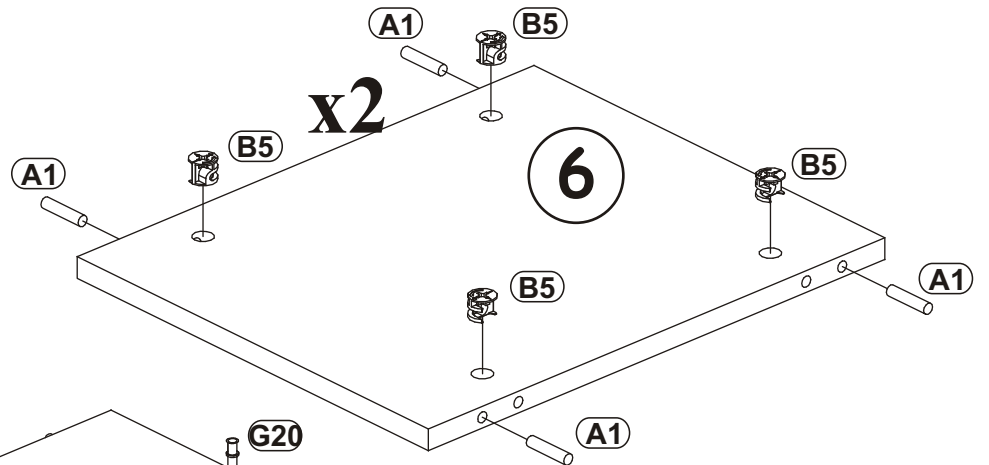
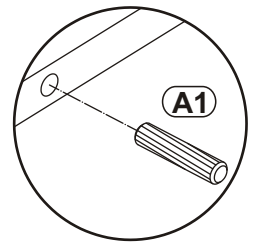
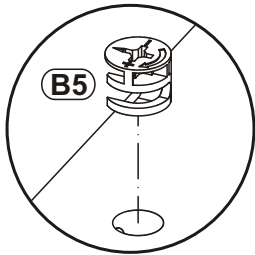
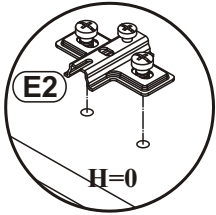
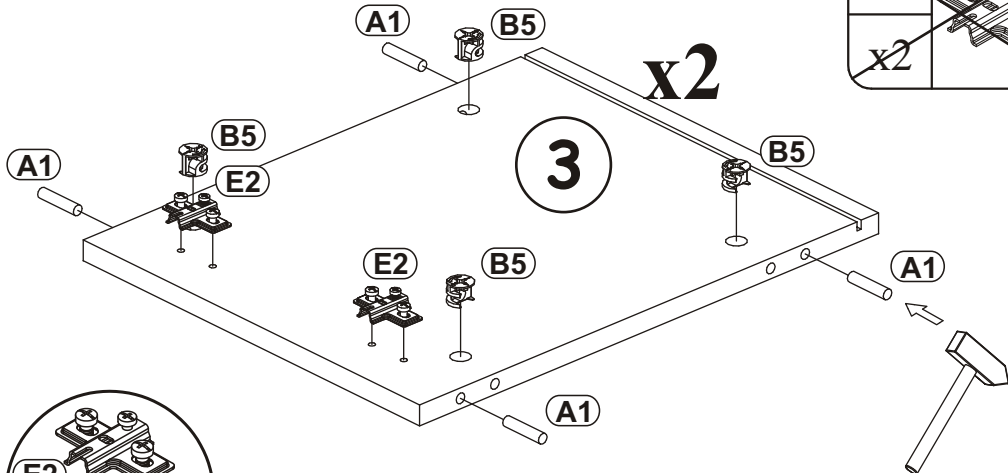


PLANK 29_PNRTV

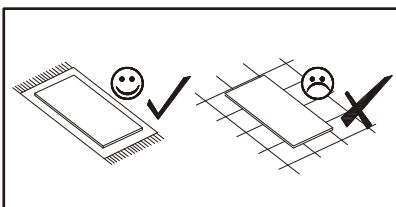
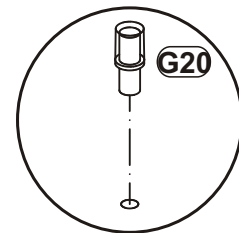
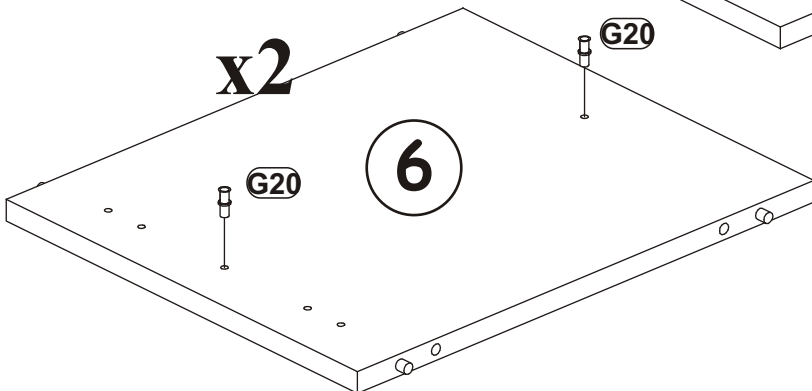
1

G20 x4		B5 x16	 ø15x12	A1 x16	 ø8x36
-----------	--	-----------	---	-----------	--

E4 x2	 H=2	E2 x4	 H=0
----------------------	--	----------	--

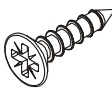



180°

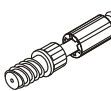


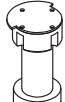
PLANK 29_PNRTV

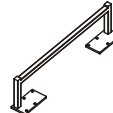
2

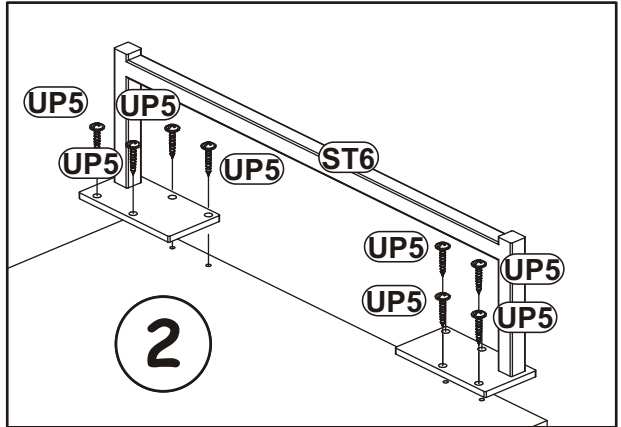
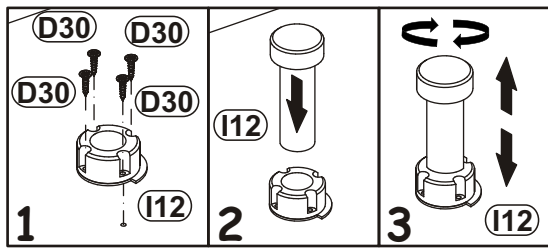
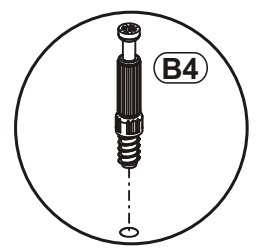
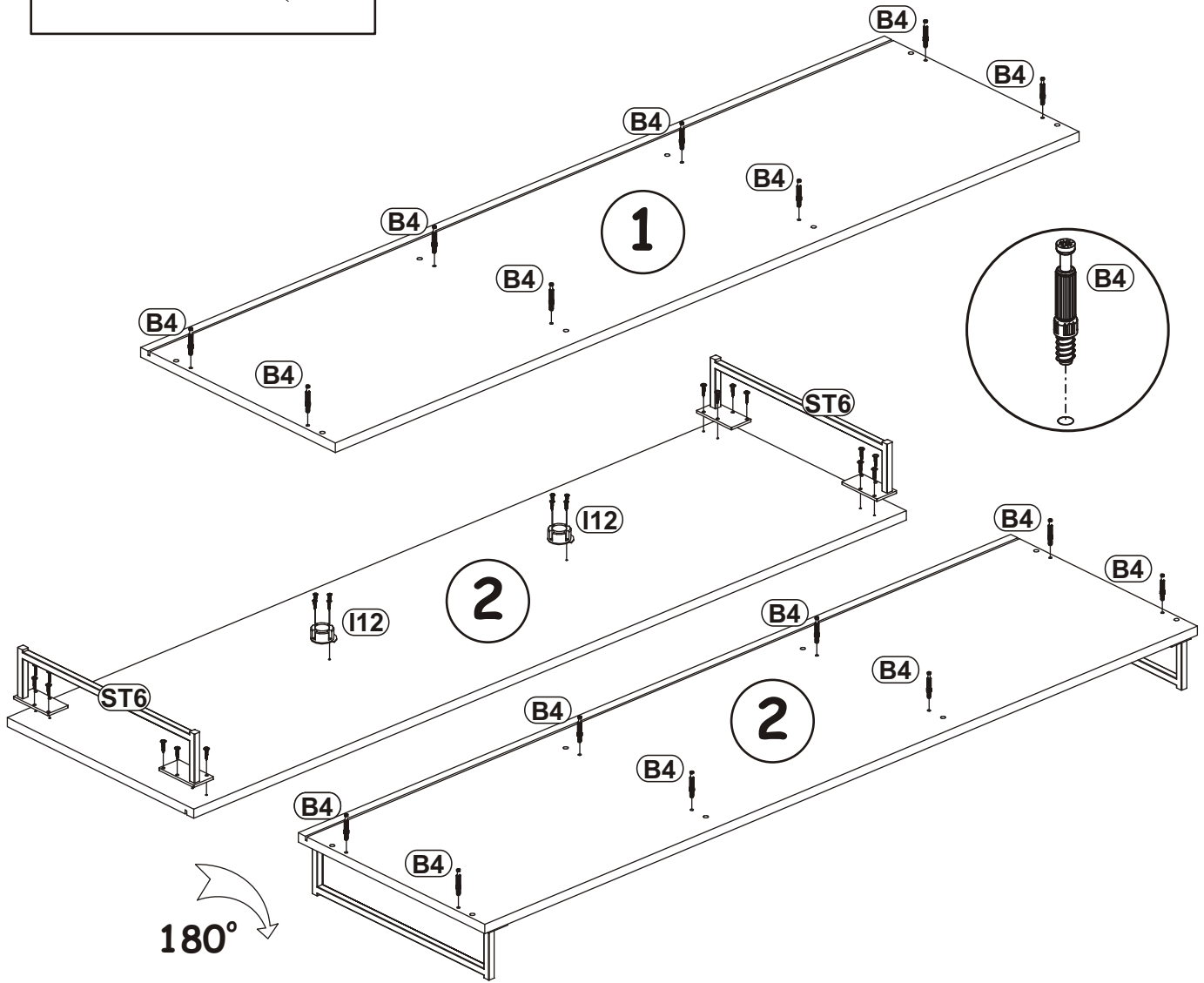
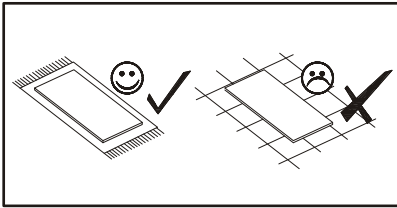
D30	
x8	USØ3,5x16


UP5	
x16	UPØ4x16

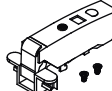
B4	
x16	


I12	
x2	L-100 mm.

ST6	
x2	

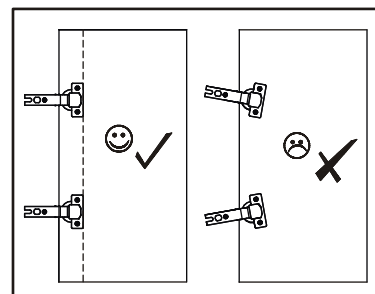
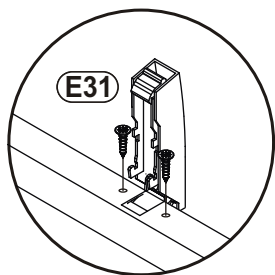
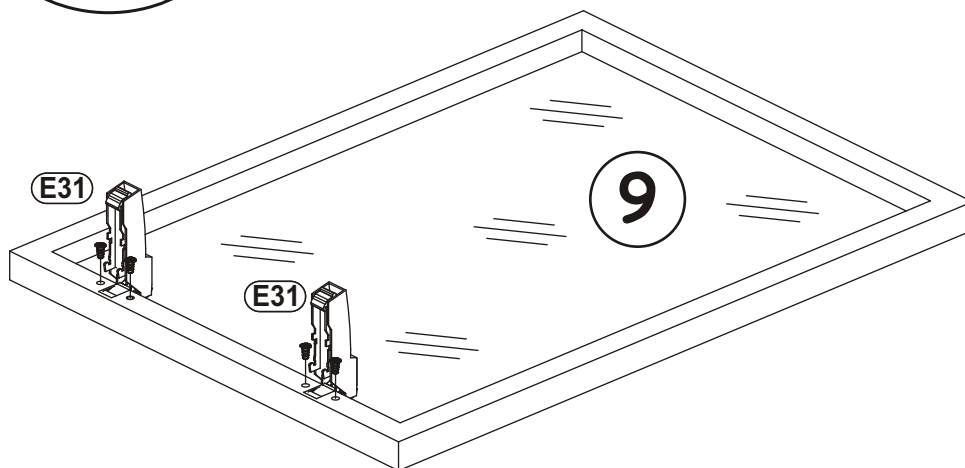
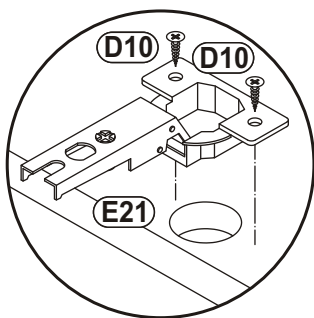
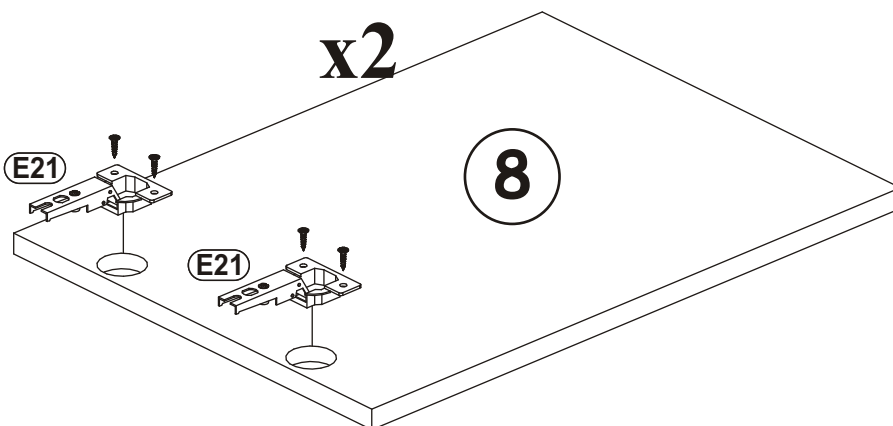
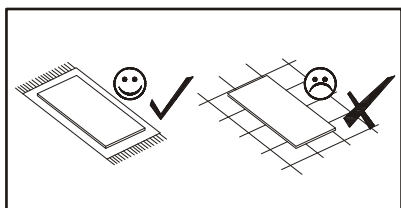


D10	
x8	USØ3,5x13


E31	
x2	H=8

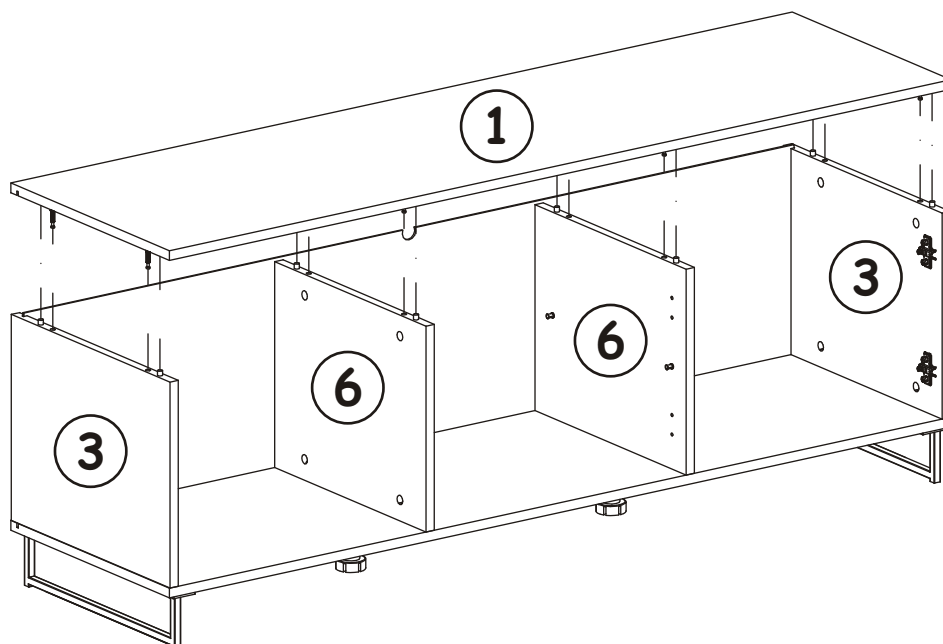
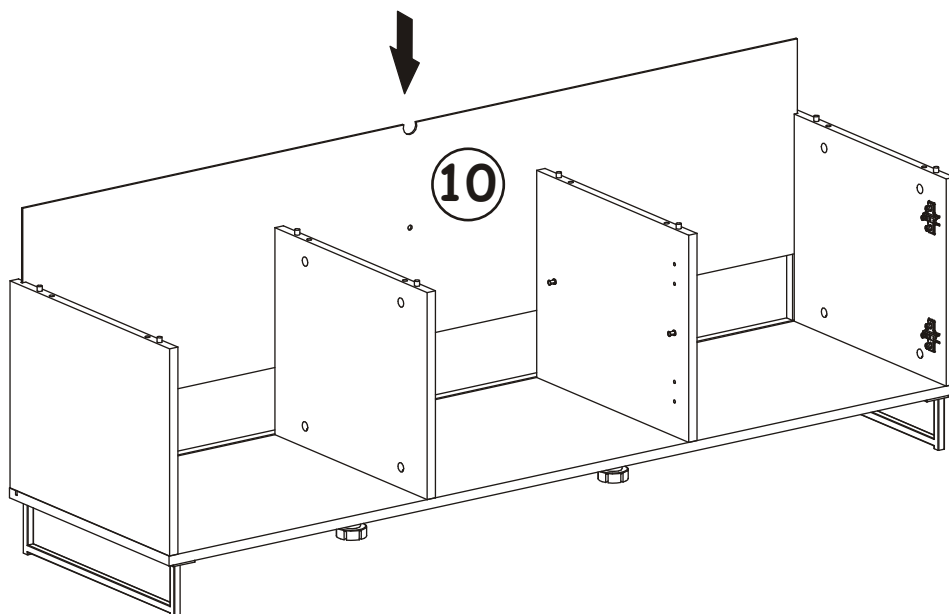
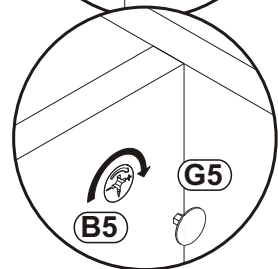
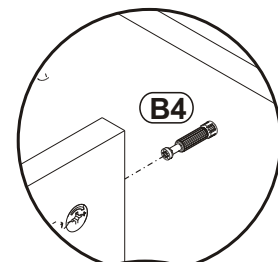
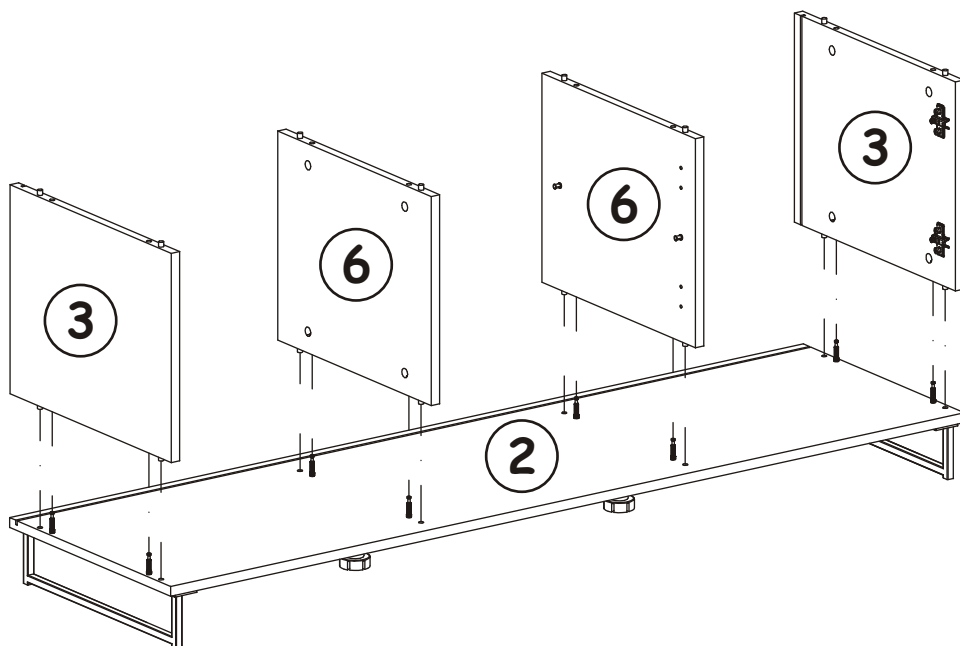
E21	
x4	Ø35 H=0

3

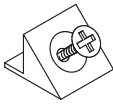



4

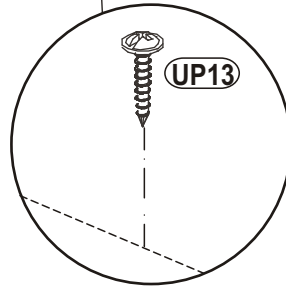
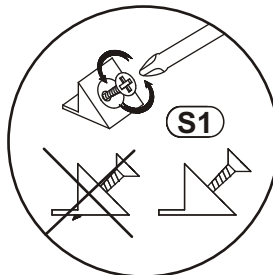
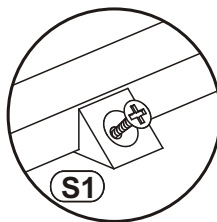
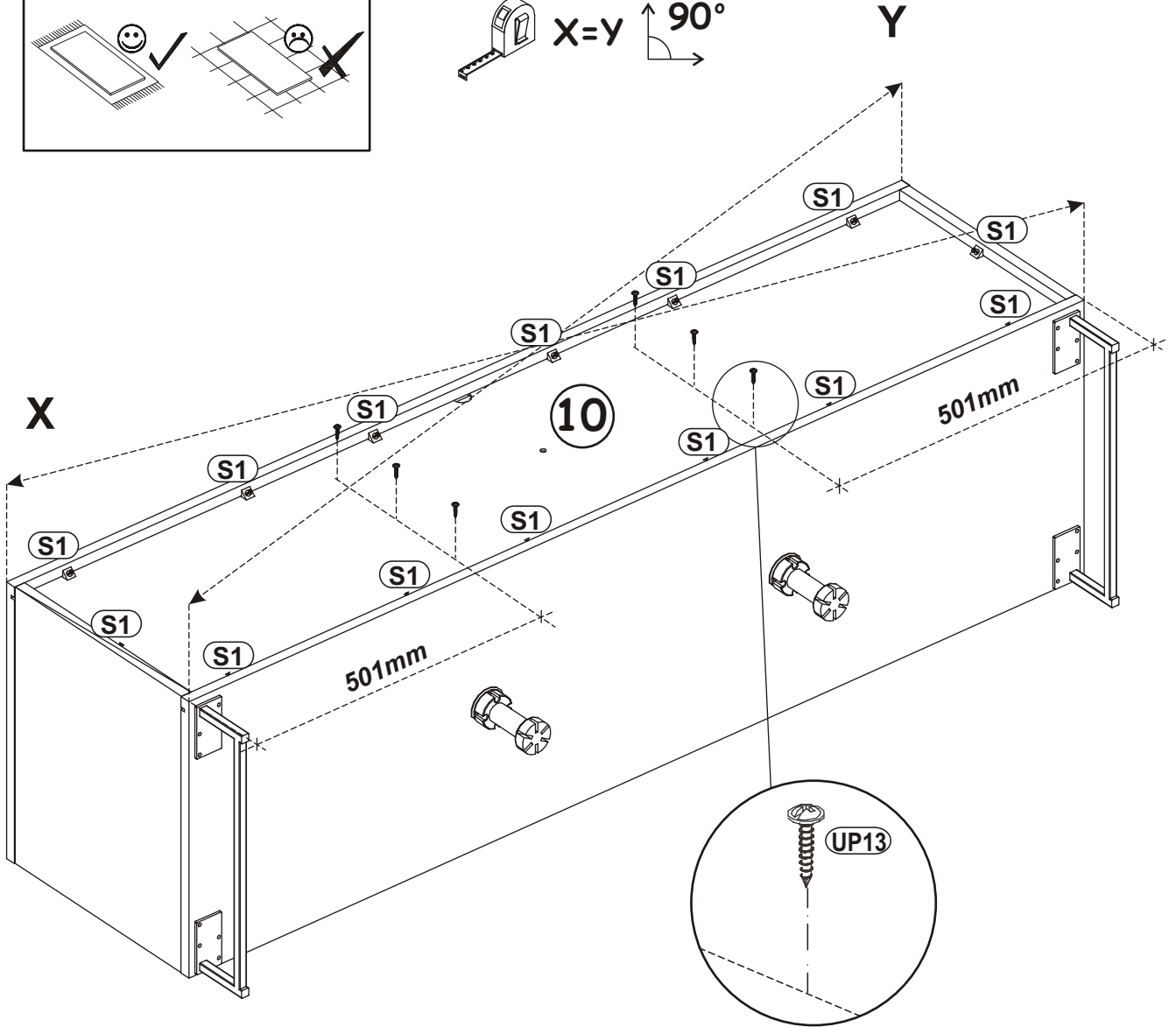
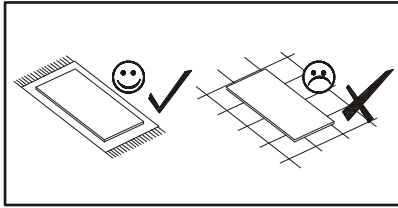
G5	
x16	



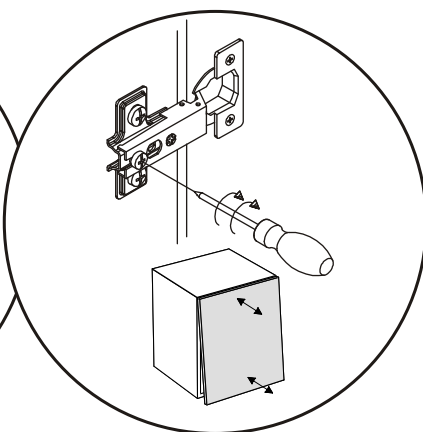
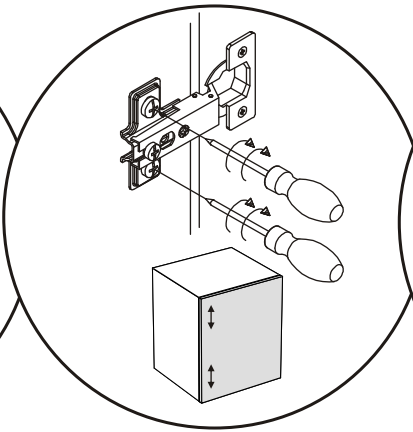
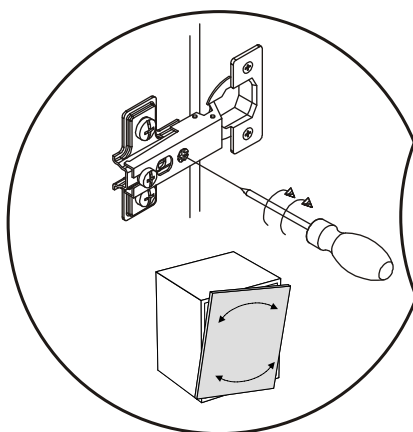
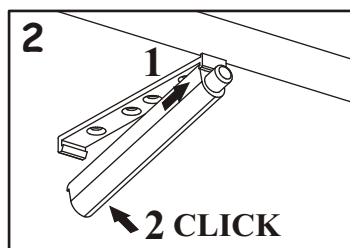
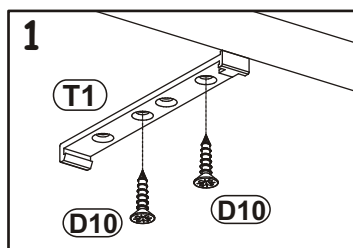
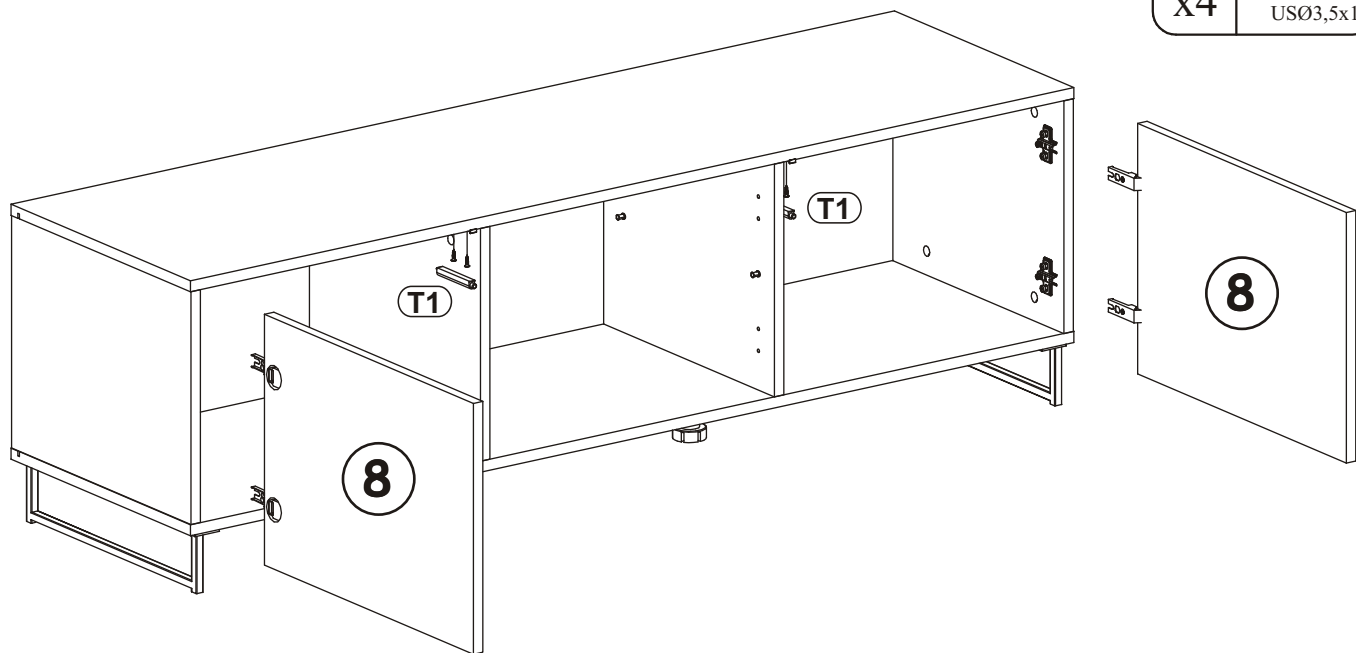
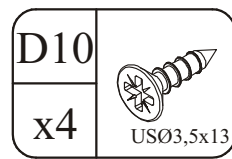
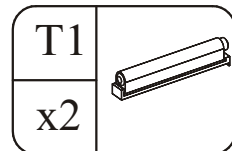
5

S1	
x14	

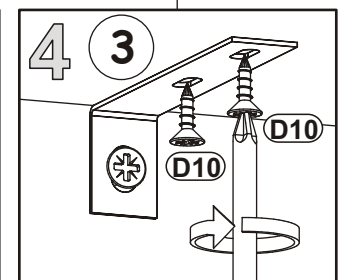
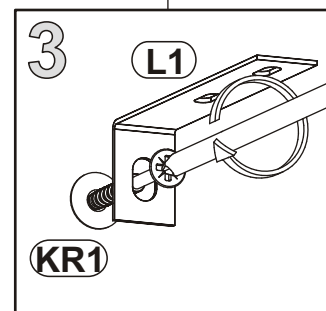
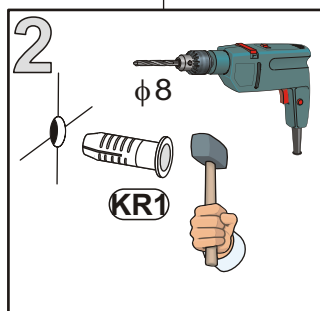
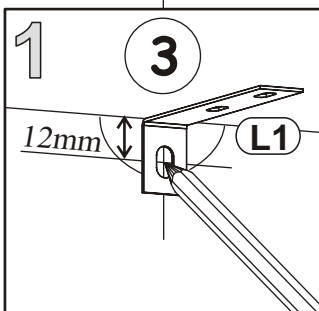
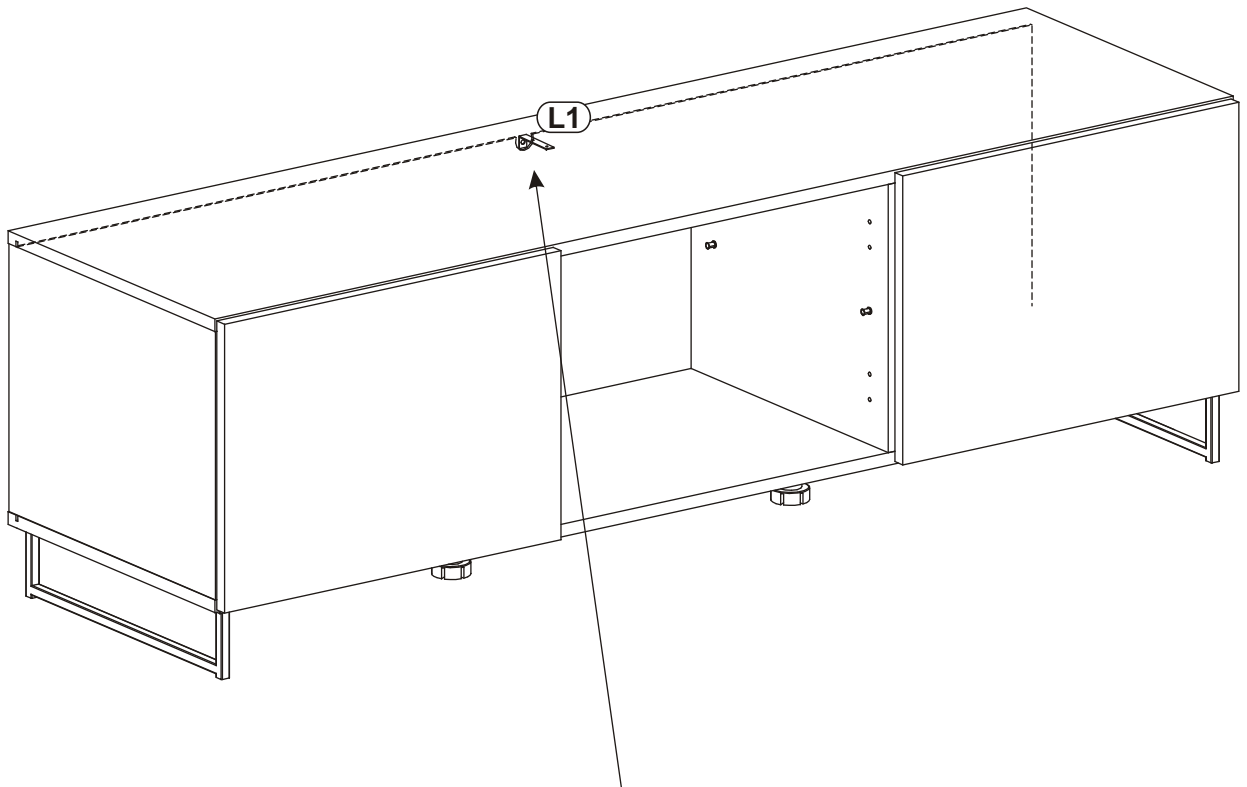
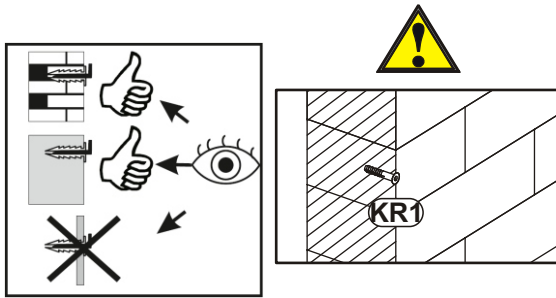
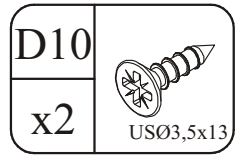
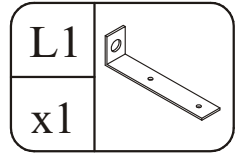
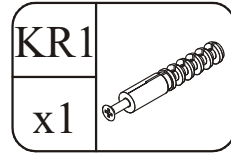
UP13	
x6	



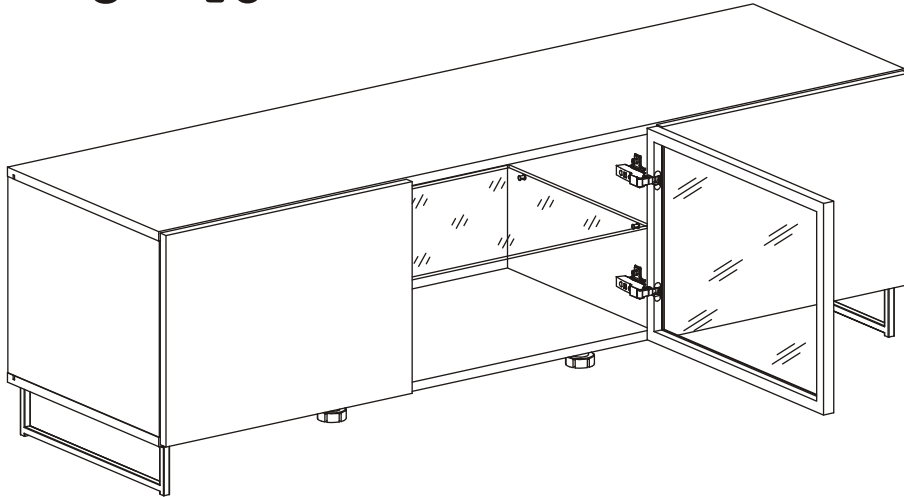
6



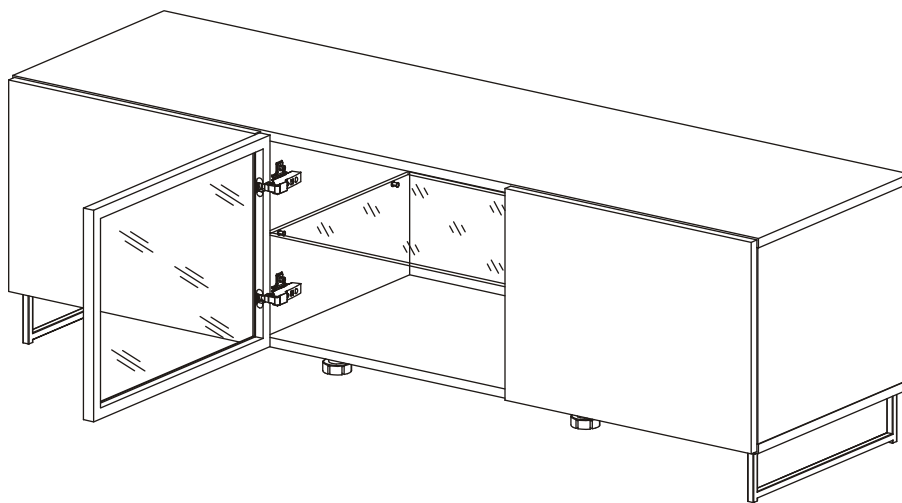
7



8 - 10

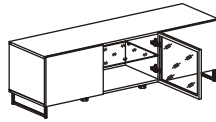


11 - 13

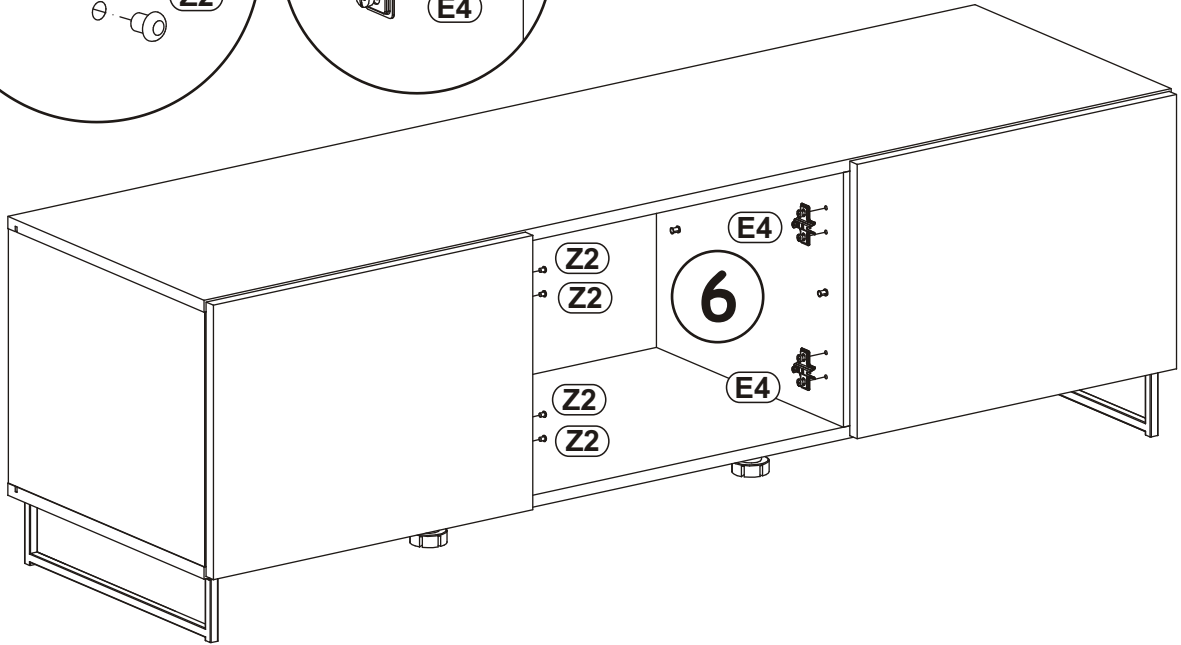
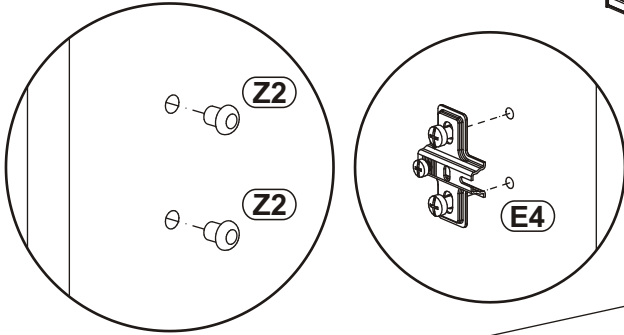


PLANK 29_PNRTV

8

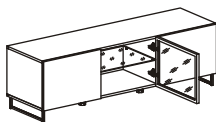
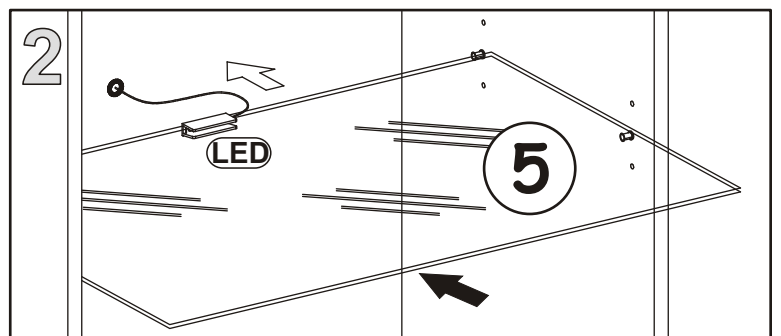
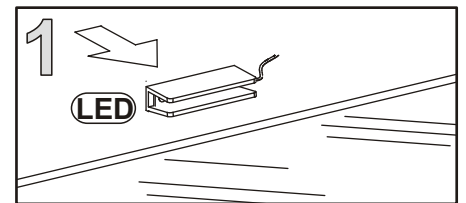
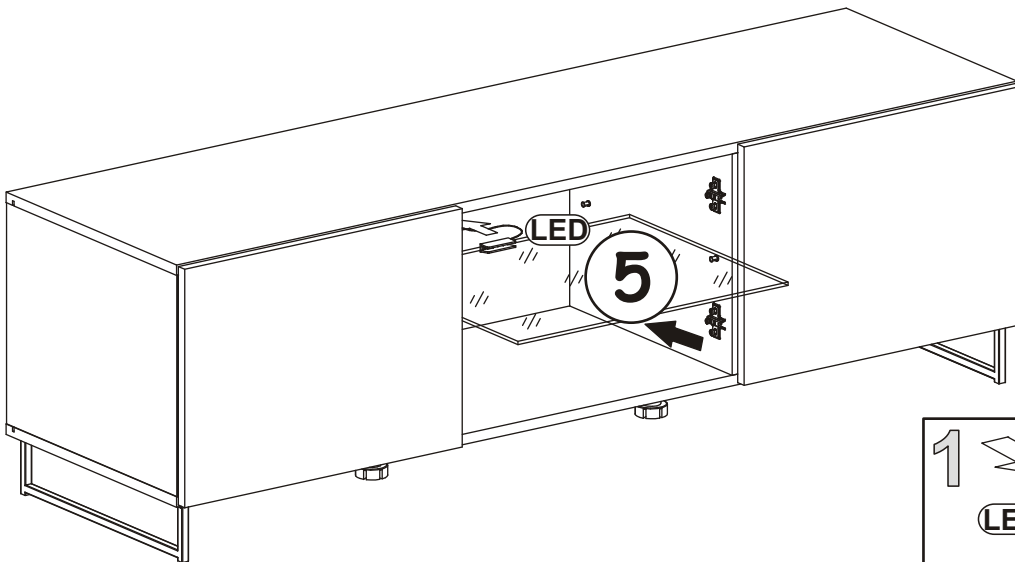


Z2		E4	
x4	Ø5	x2	H=2

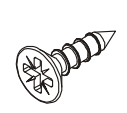
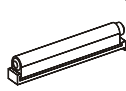


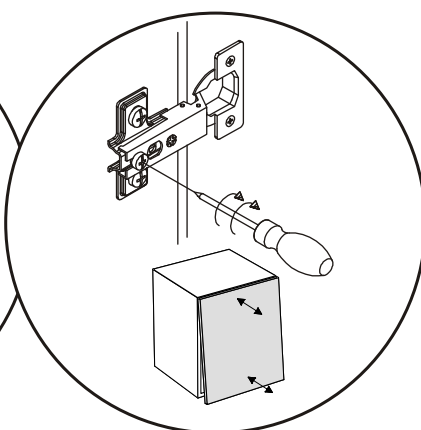
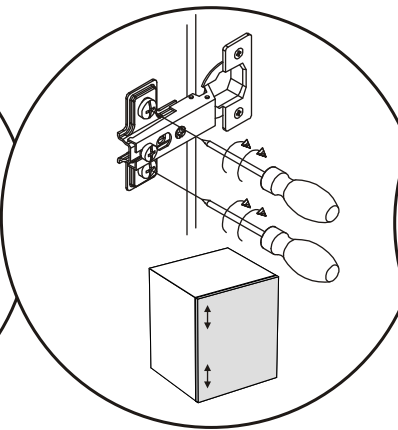
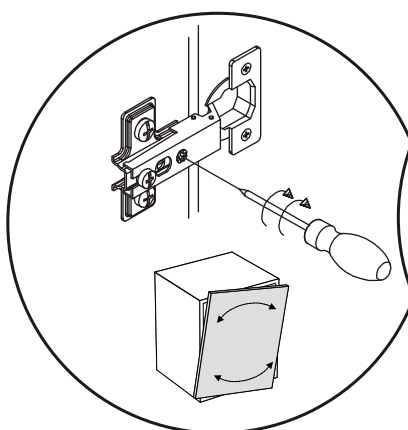
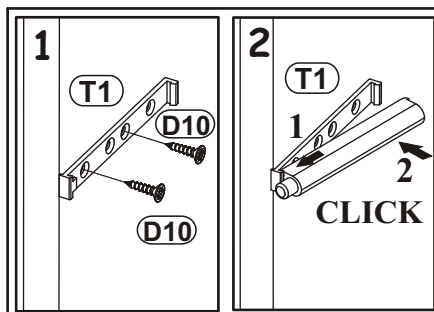
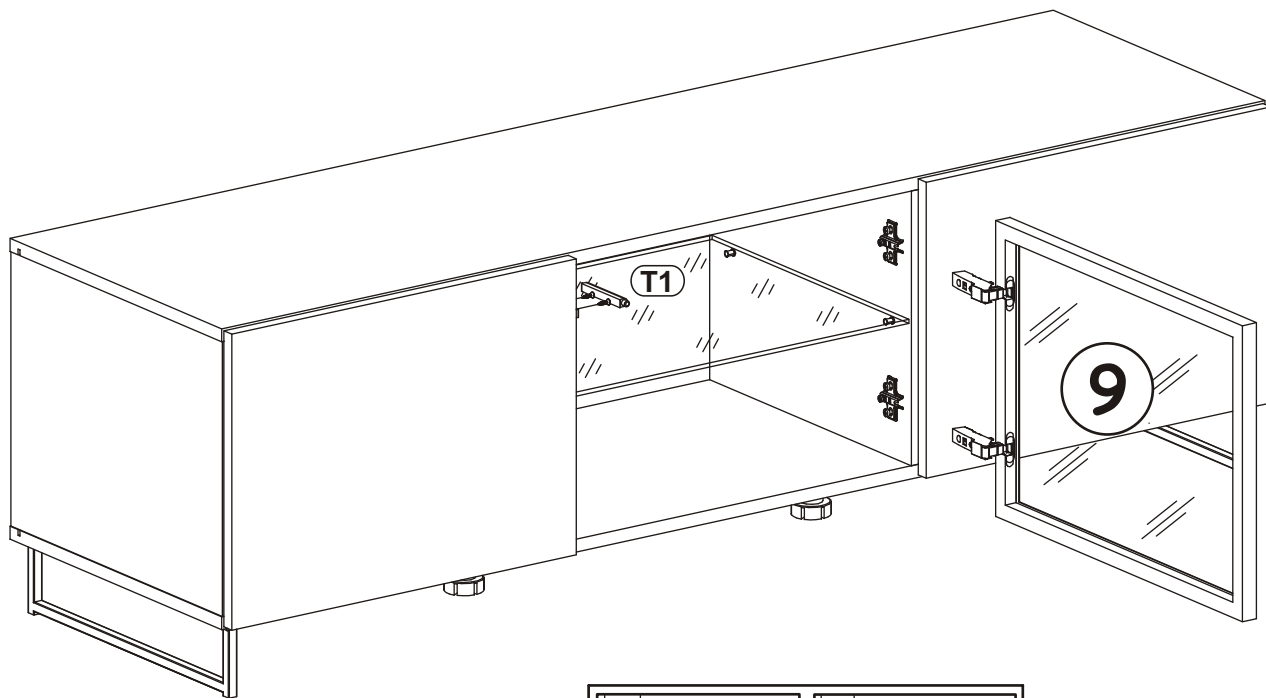
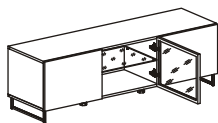
9

LED	
x1	x1

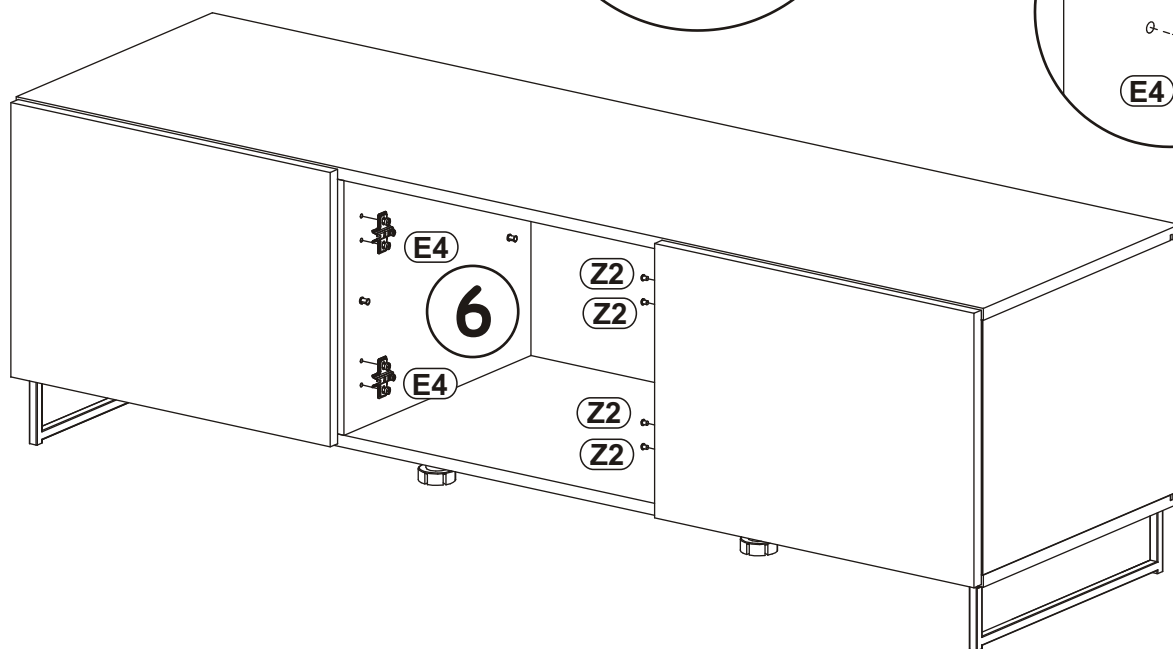
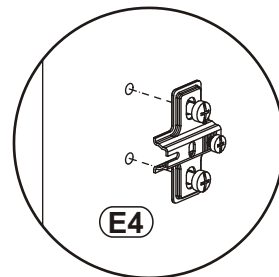
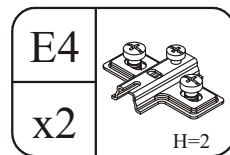
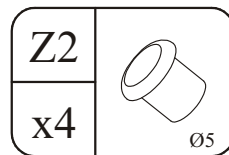
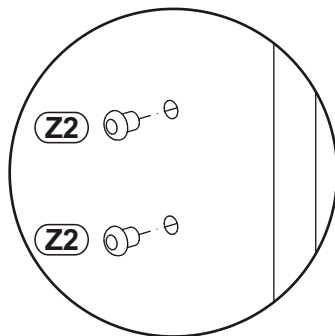
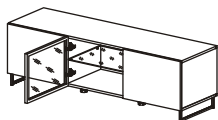


10

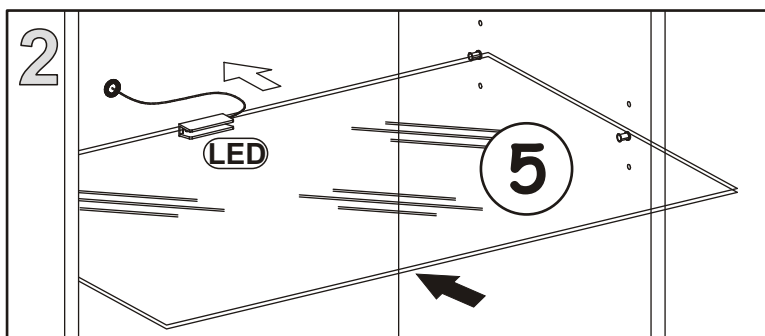
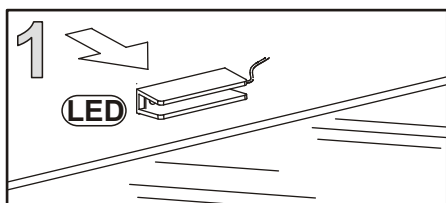
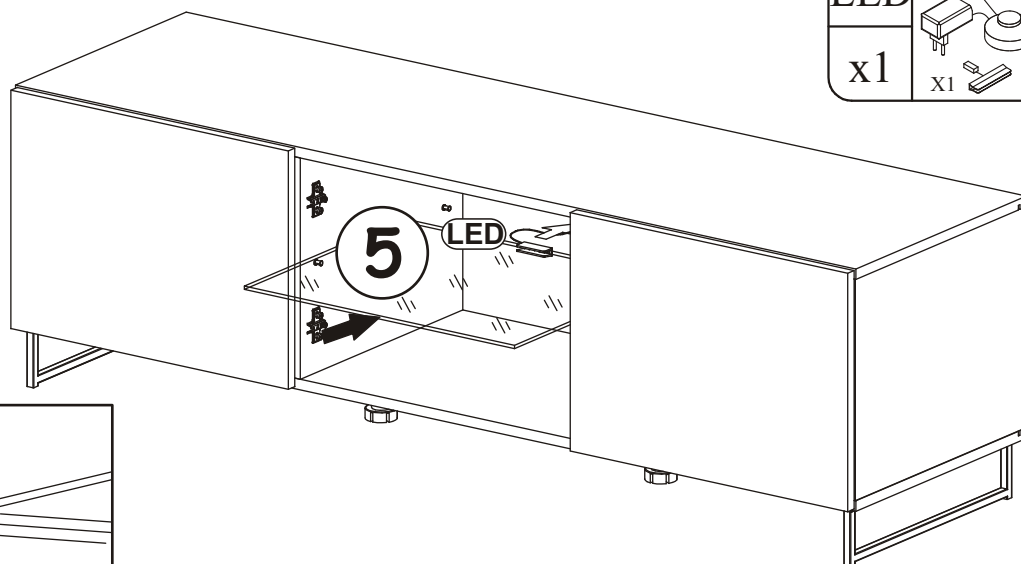
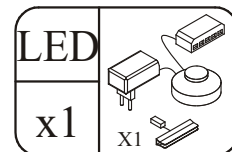
D10		T1	
x2		x1	



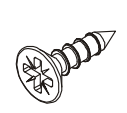
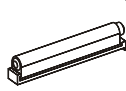
11

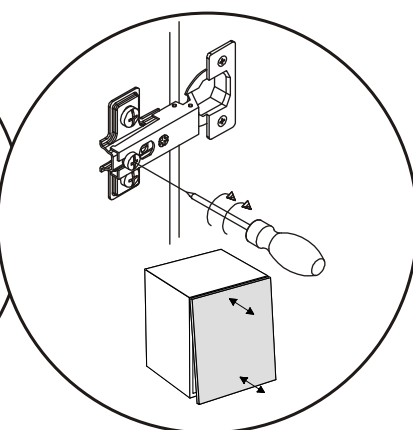
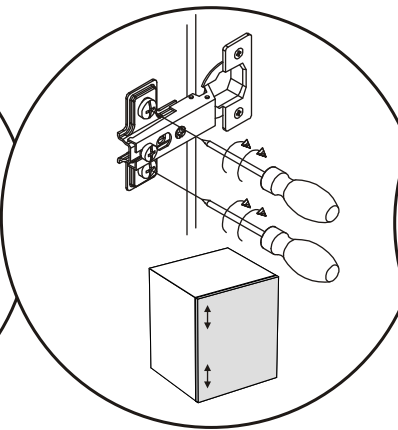
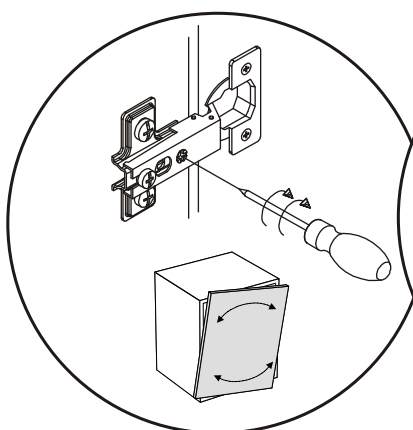
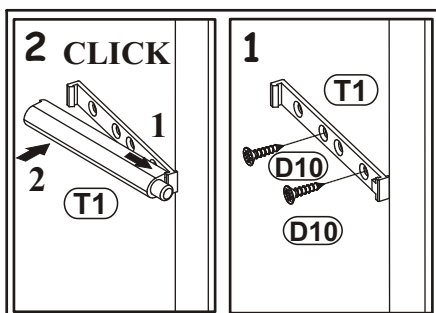
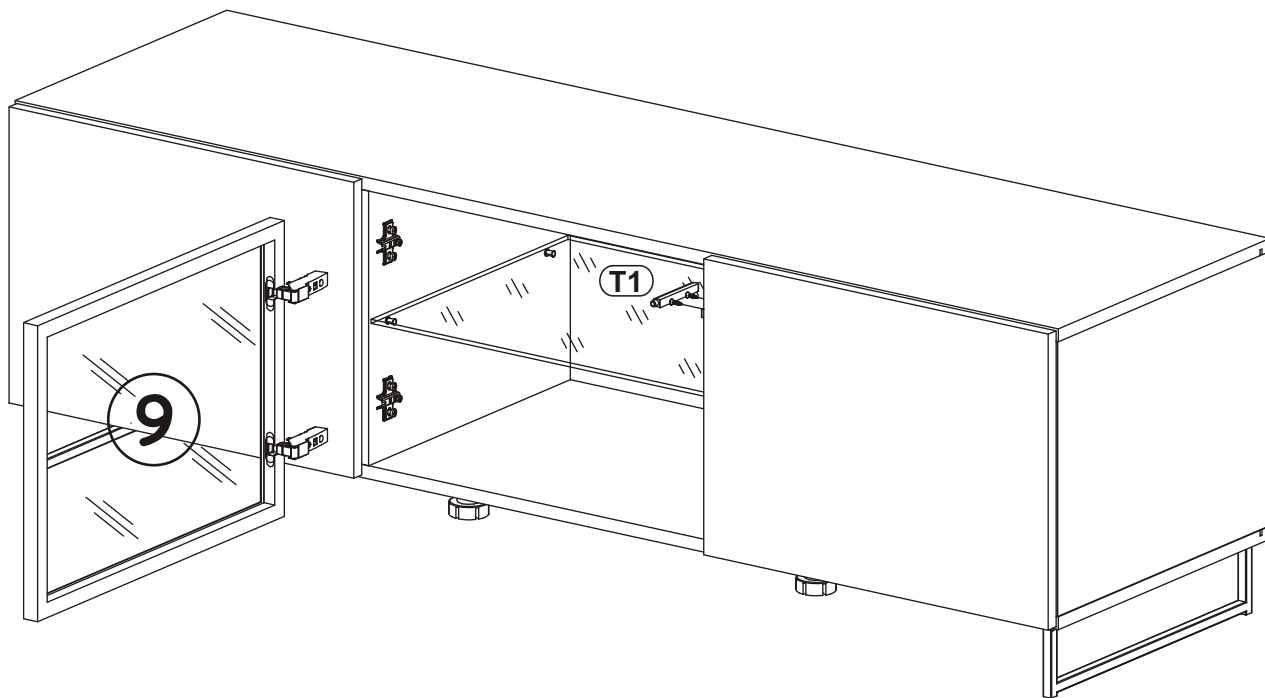
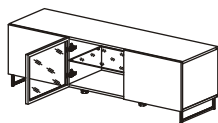


12

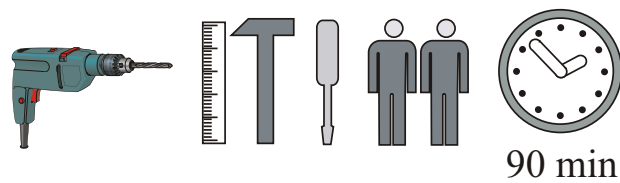
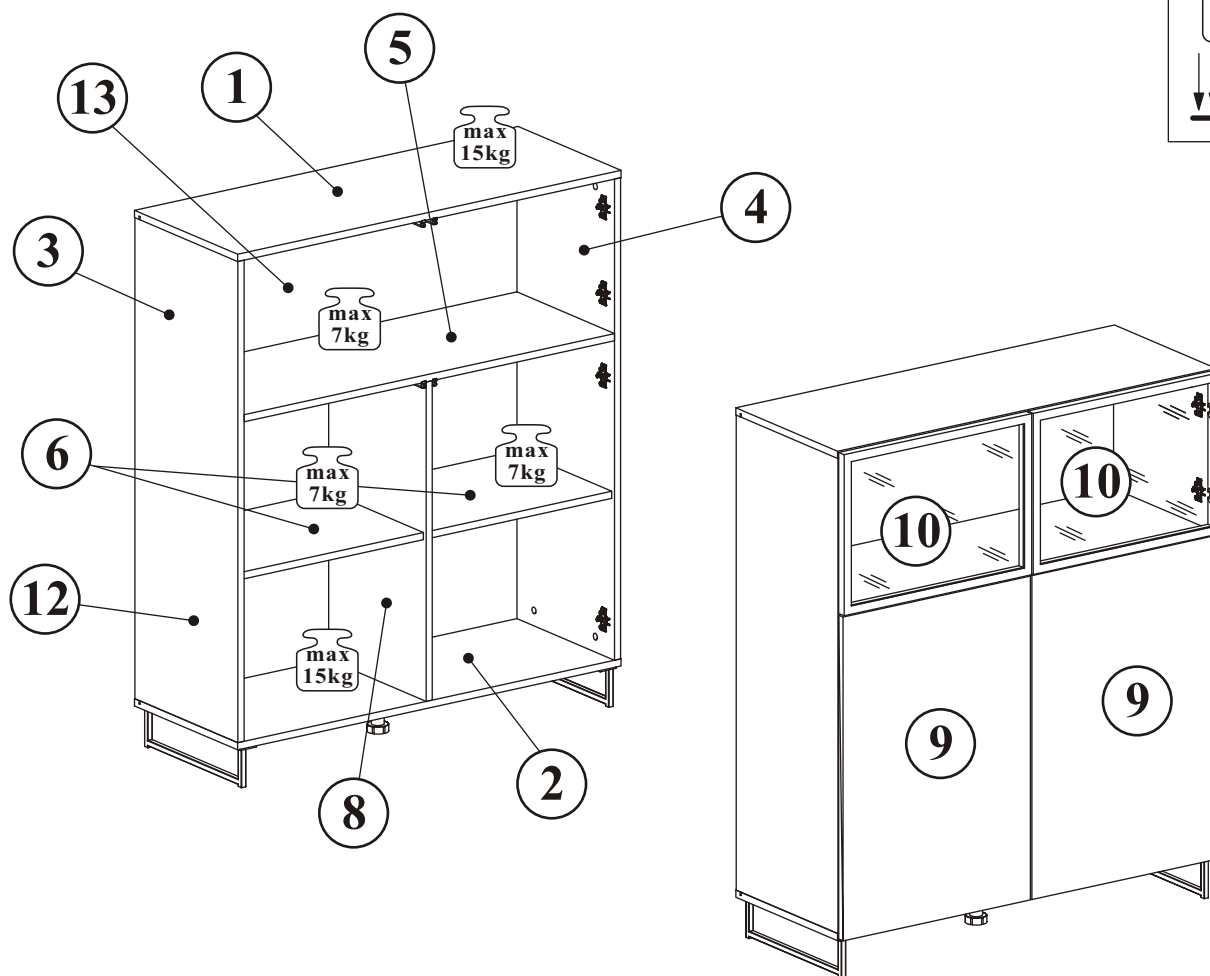


13

D10		T1	
x2		x1	

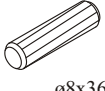
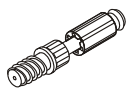


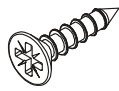
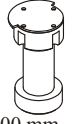
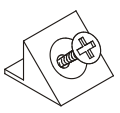
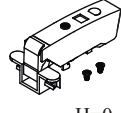
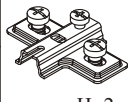
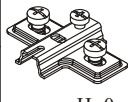
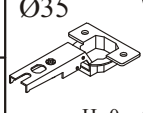
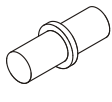


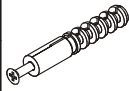
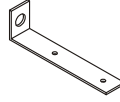
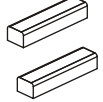

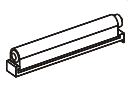
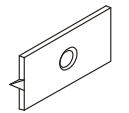
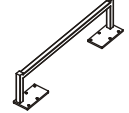
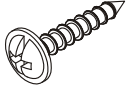


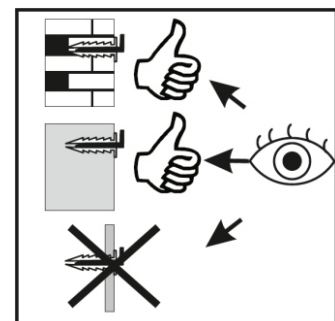
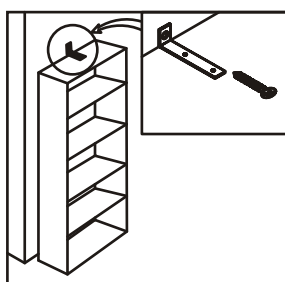
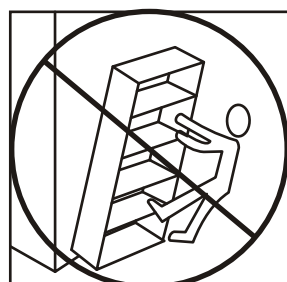
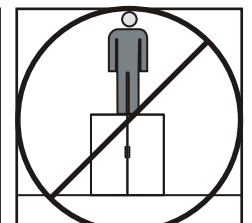
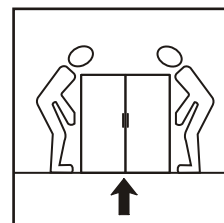
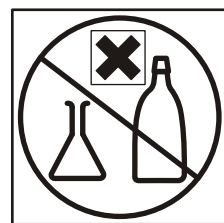
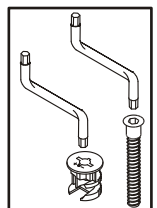
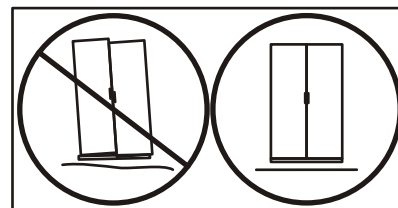
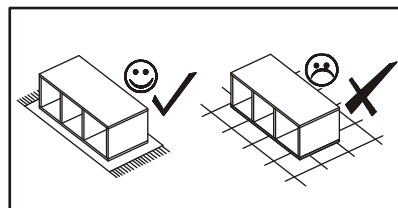
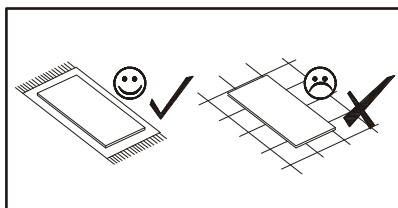
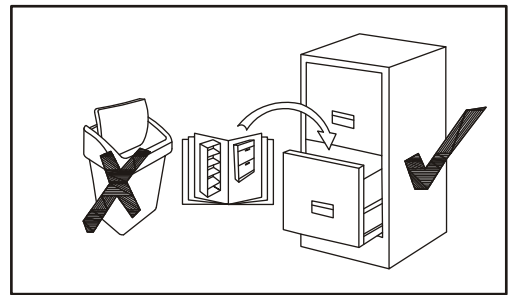
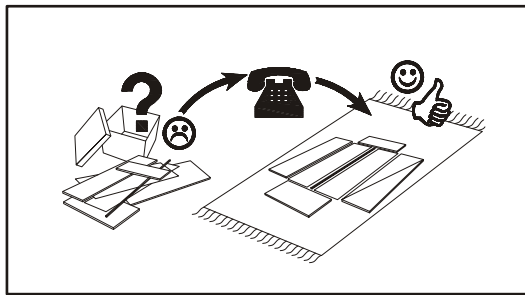
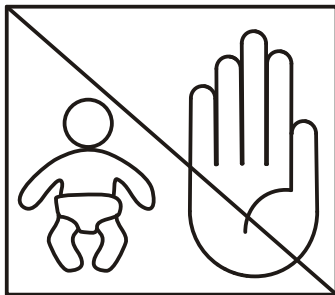
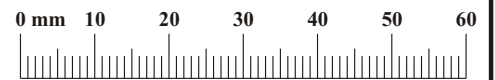
PLANK 29_PNWSN



NO	Dim.			Col-No	Qty
1	1002	376	16	2	1
2	1002	376	16	2	1
3	1074	376	16	2	1
4	1074	376	16	2	1
5	968	356	16	2	1
6	476	346	16	1	2
8	713	356	16	1	1
9	496	732	16	1	2
10	496	364	21	1	2
12	490	727	3	1	2
13	980	359	3	2	1

PLANK 29_PNWSN

A1 x16  ø8x36	B4 x16 	B5 x16  ø15x12	G5 x16 	D30 x4  USØ3,5x16	I12 x1  L-100 mm.
S1 x16 	E30 x4  H=0	E4 x4  H=2	E2 x4  H=0	E21 x4  Ø35 H=0	G7 x8 
UP13 x10  UPØ3x16	D10 x18  USØ3,5x13	KR1 x1 	L1 x1 	LED x2 	G2 x1 
T1 x4 	G16 x10 	ST6 x2 	UP5 x16  UPØ4x16		



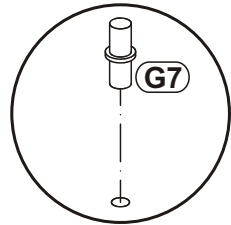
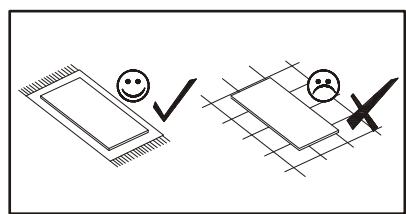
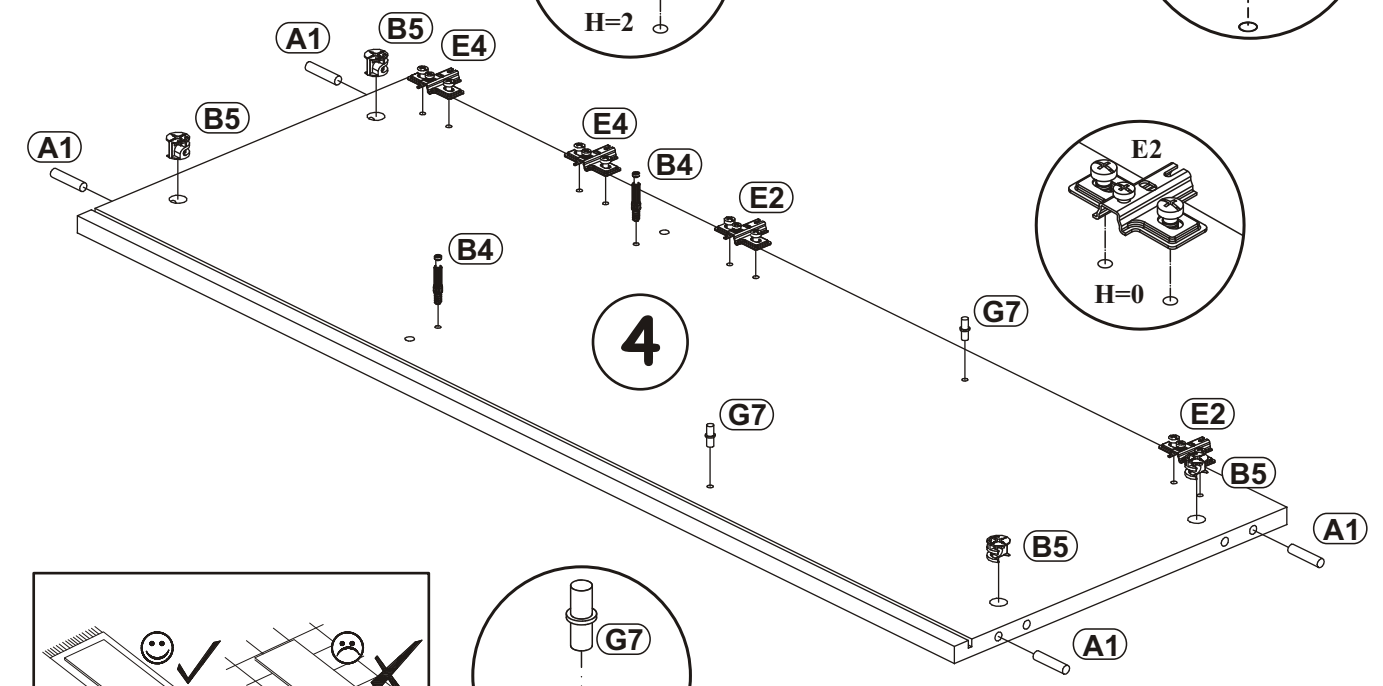
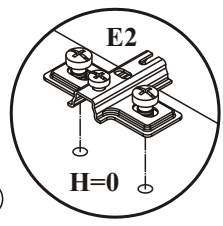
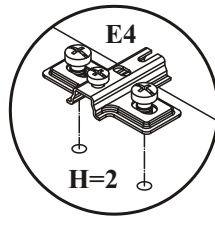
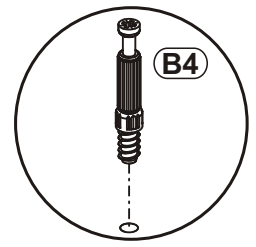
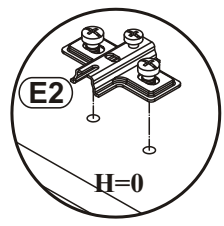
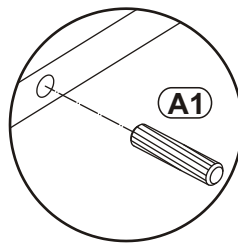
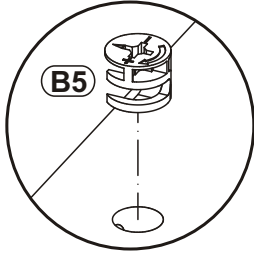
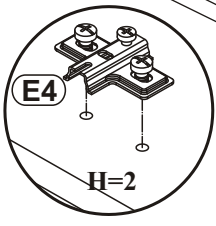
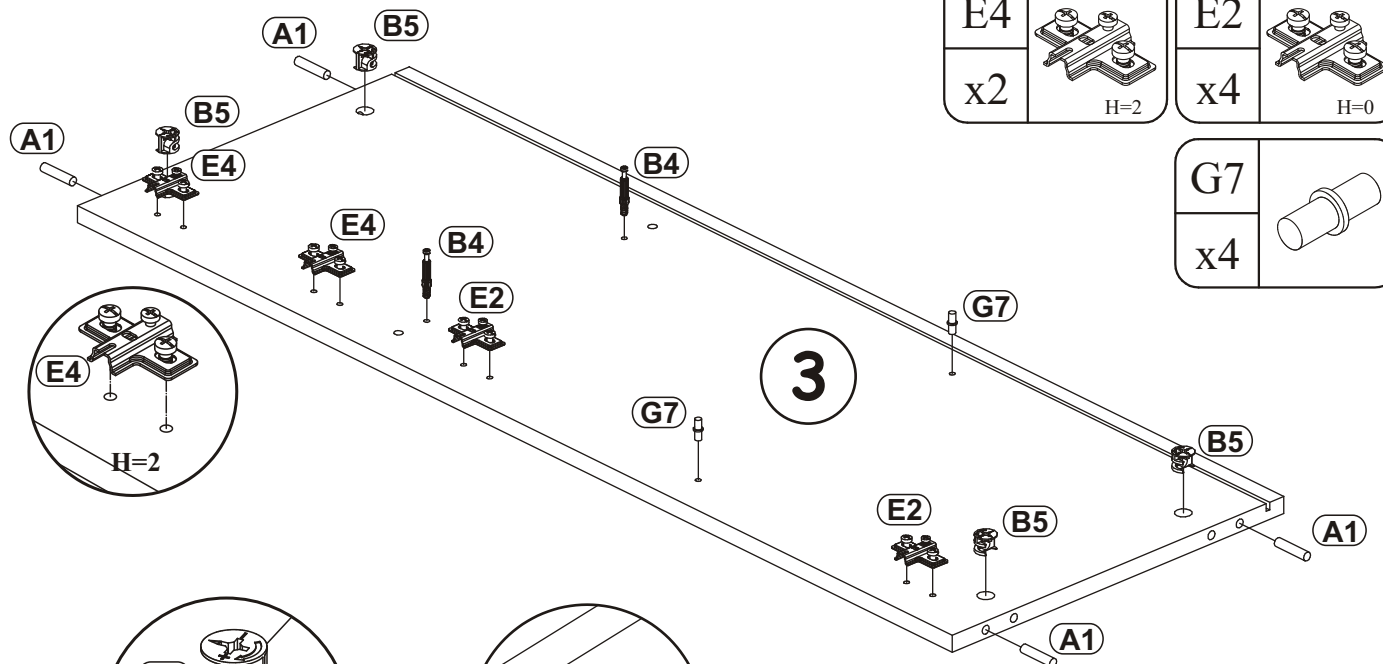
PLANK 29_PNWSN

1

B4		B5		A1	
x4		x8	ø15x12	x8	ø8x36

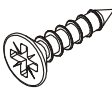
E4		E2	
x2	H=2	x4	H=0


G7	
x4	

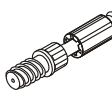


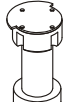
PLANK 29_PNWSN

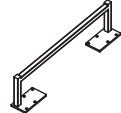
2

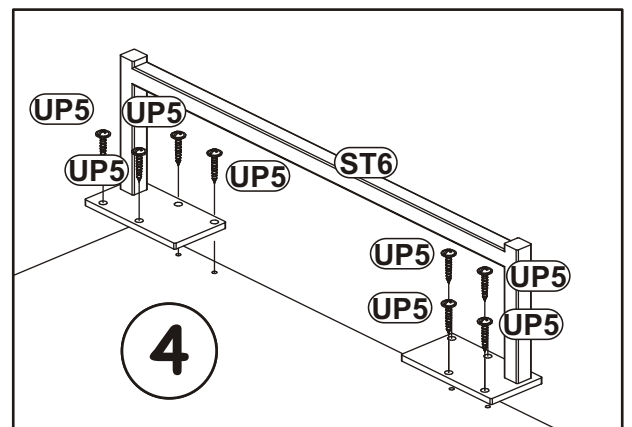
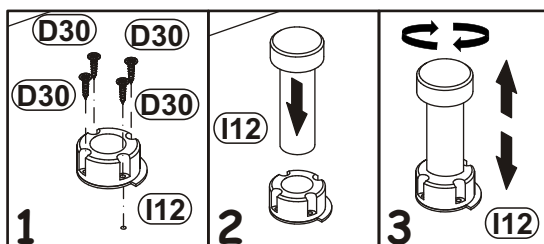
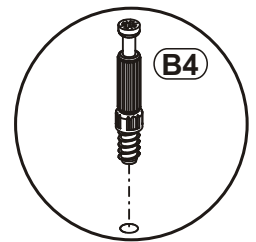
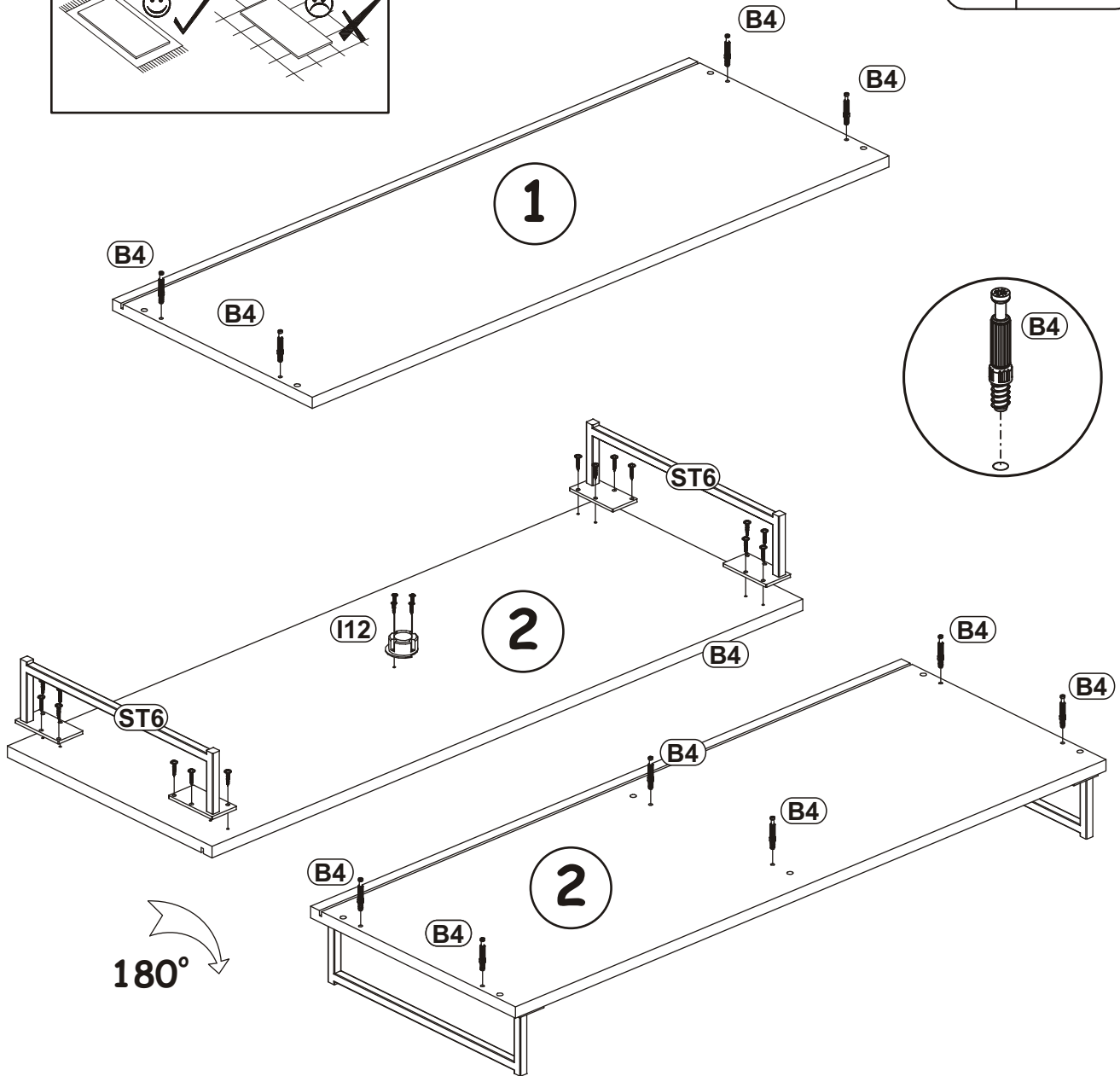
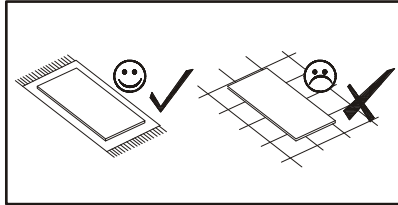
D30	
x4	USØ3,5x16

UP5	
x16	UPØ4x16

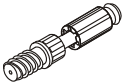
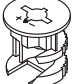
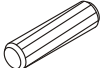
B4	
x10	

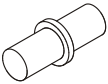
I12	
x1	L-100 mm.

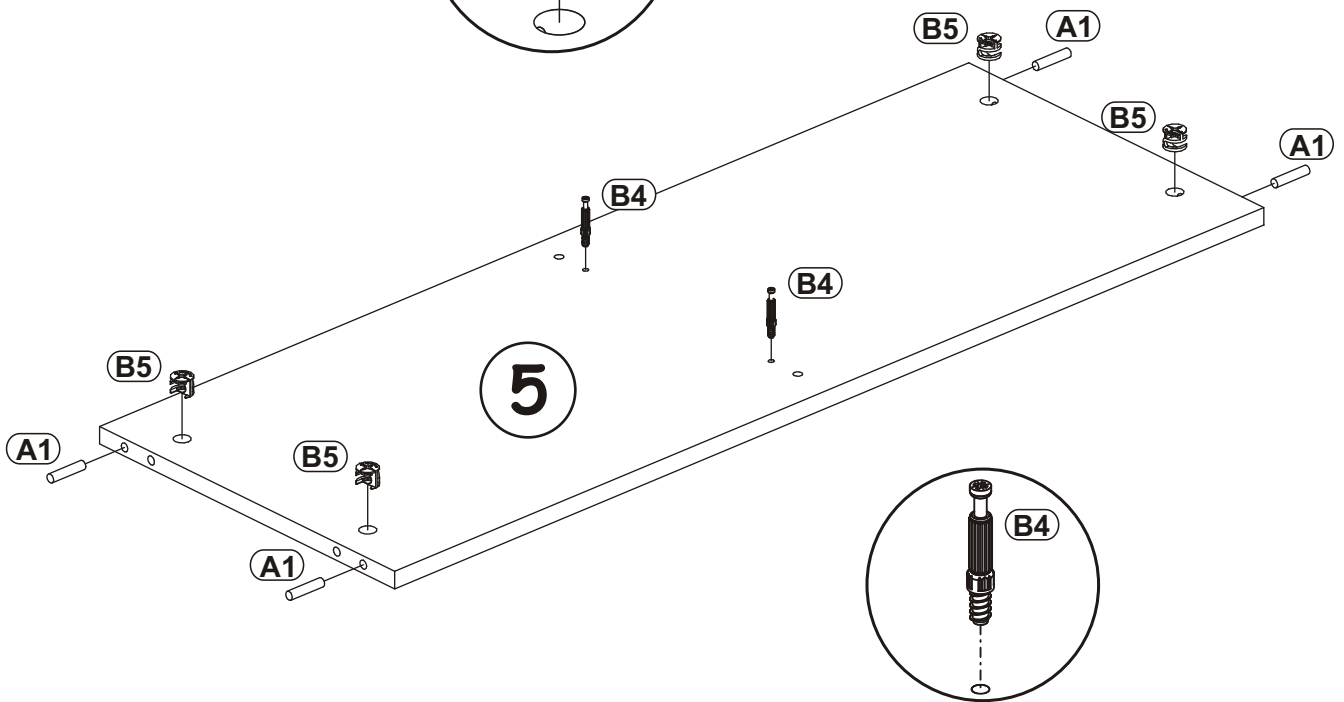
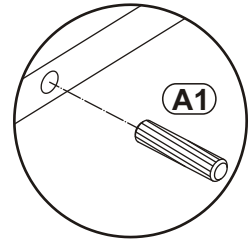
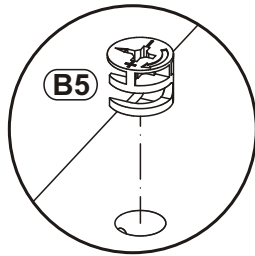
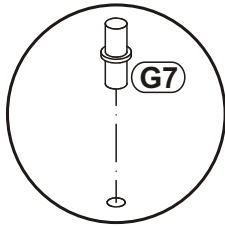
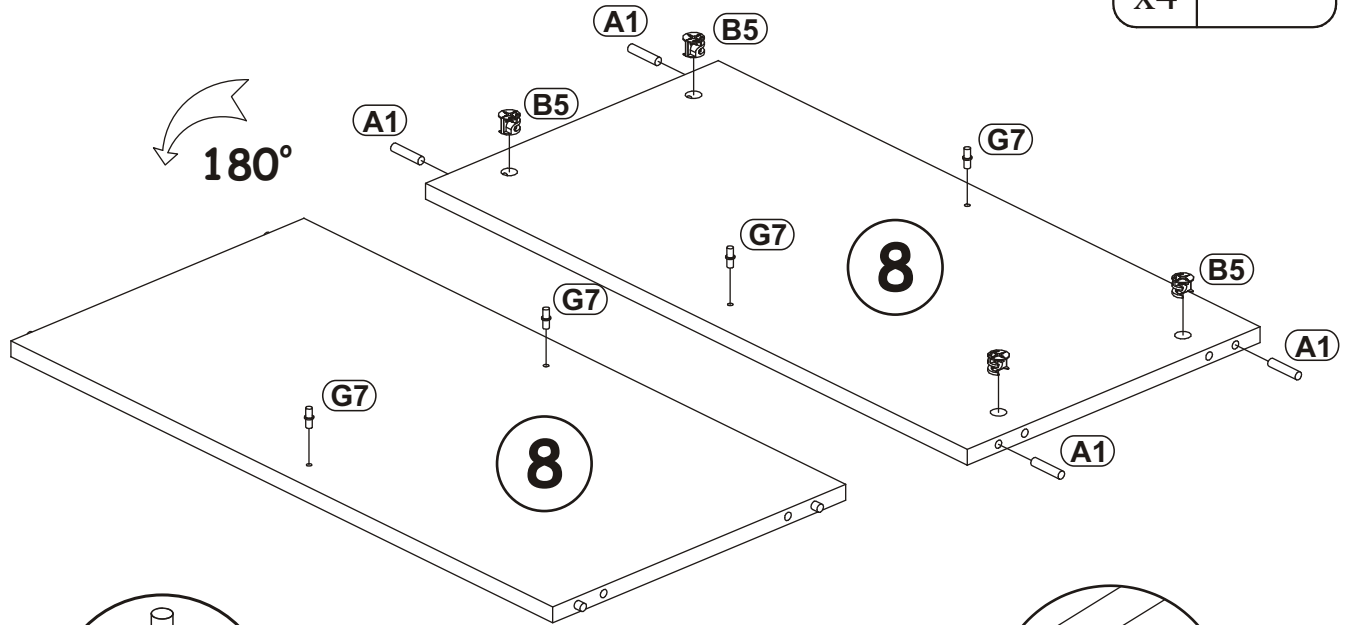
ST6	
x2	



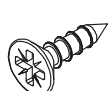
3

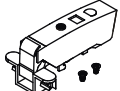
B4		B5		A1	
x2		x8	ø15x12	x8	ø8x36

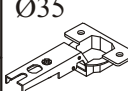
G7	
x4	



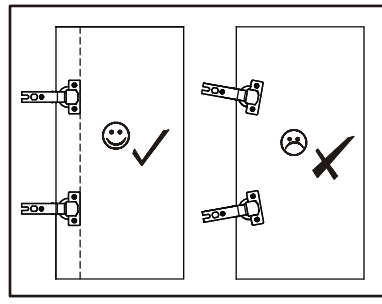
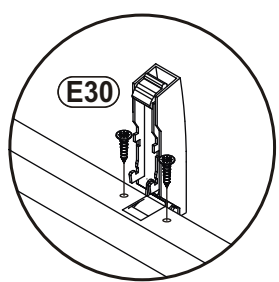
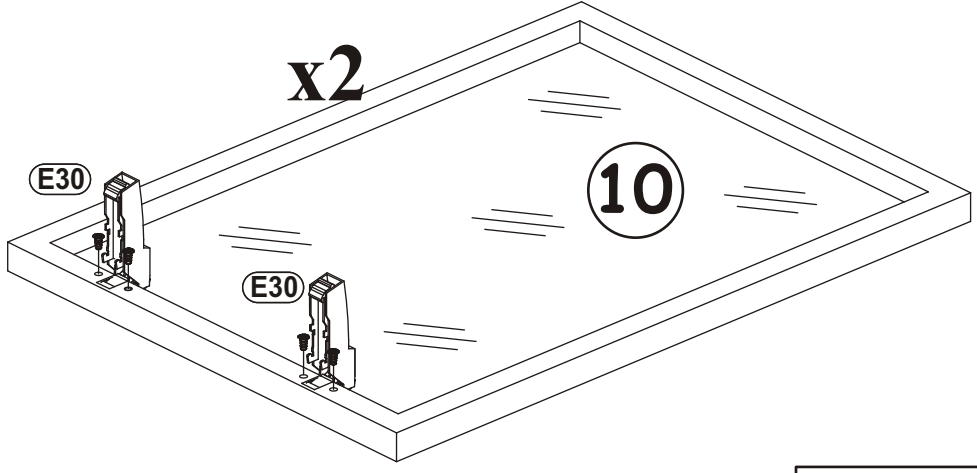
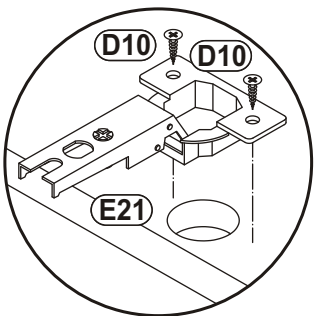
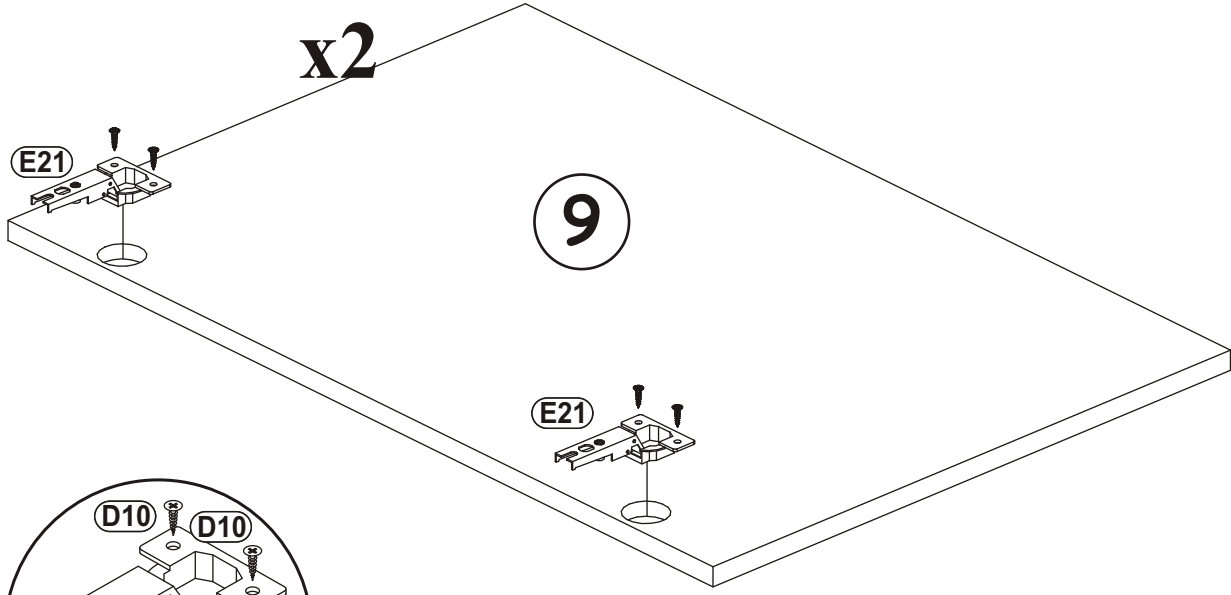
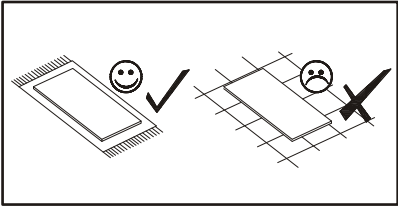
PLANK 29_PNWSN


D10	
x8	USØ3,5x13

E30	
x4	H=0

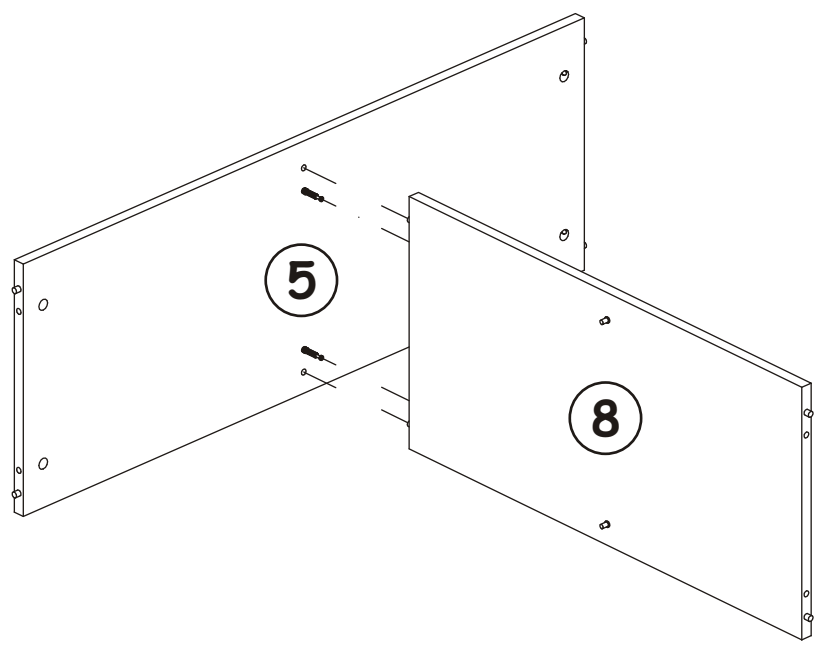
E21	Ø35
x4	
	H=0

4

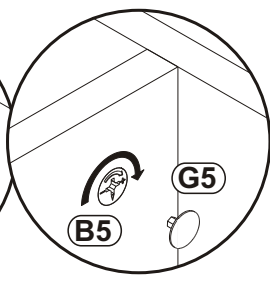
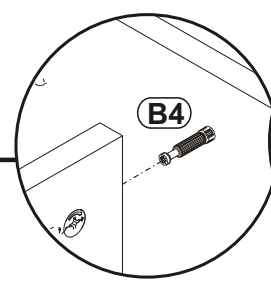
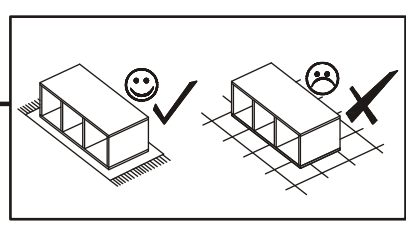



G5	
x2	

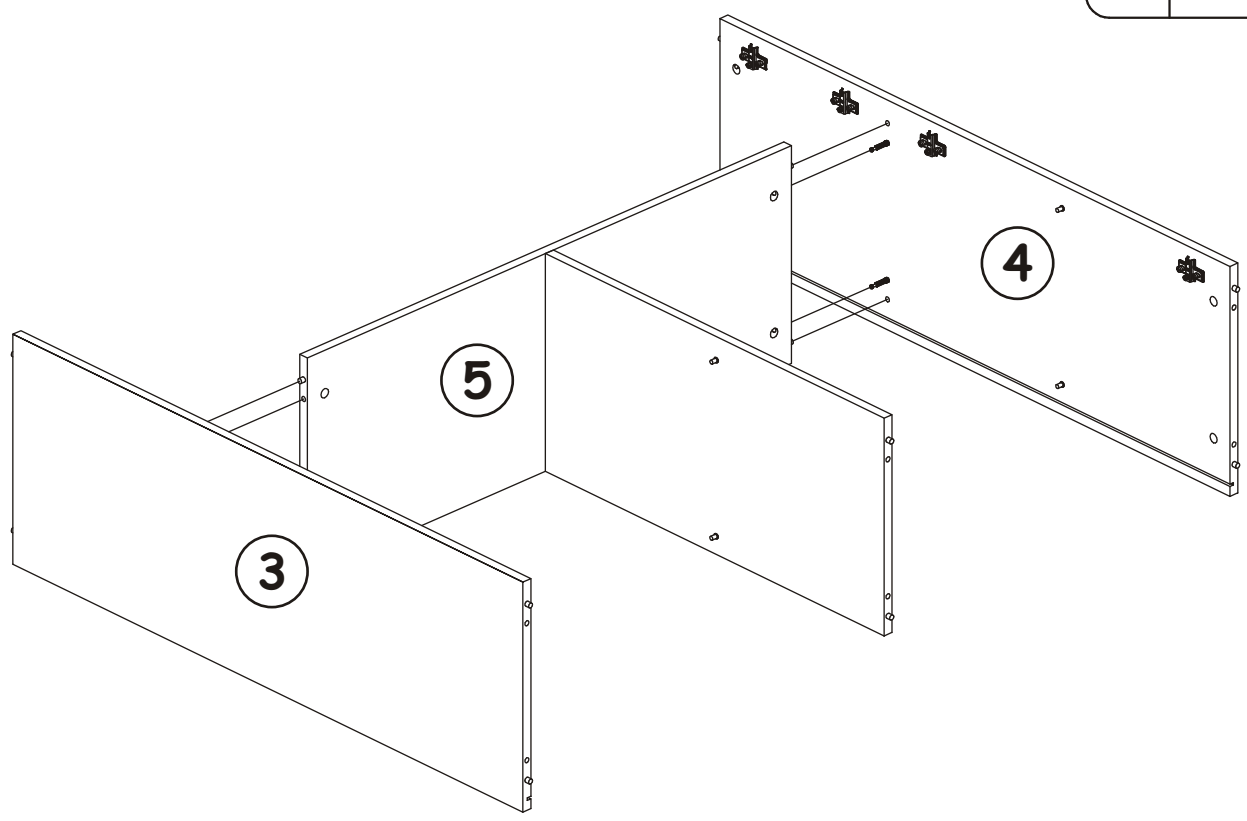
5




6



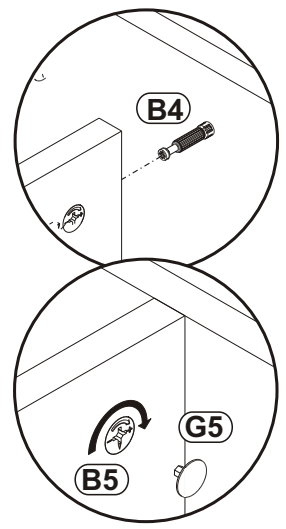
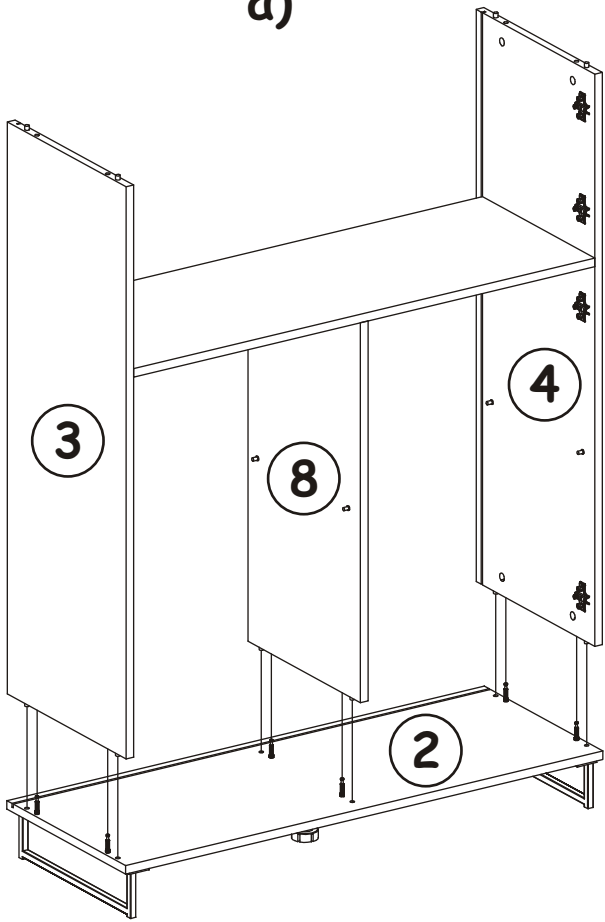
G5	
x4	



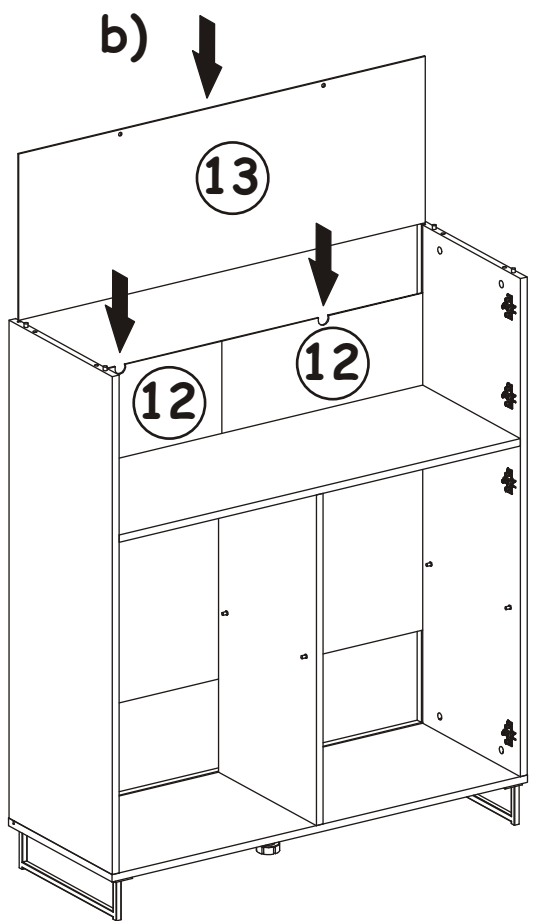
G5	
x10	

7

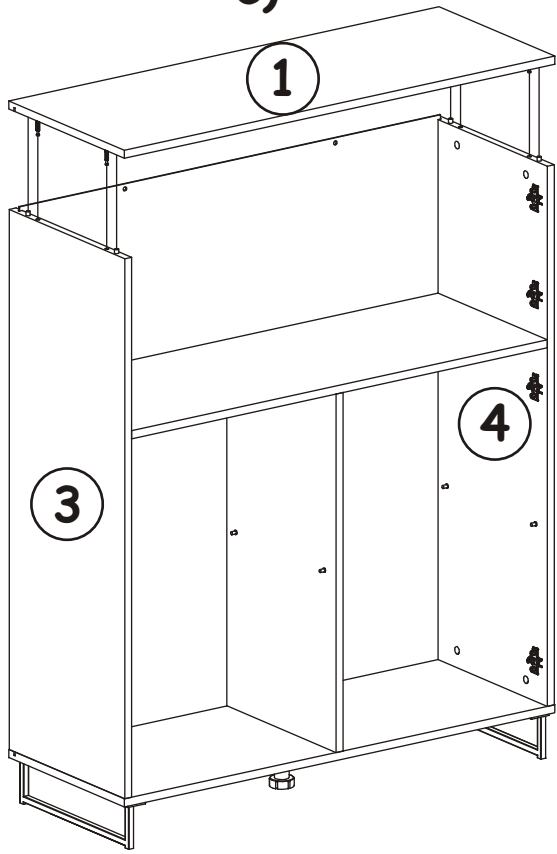
a)



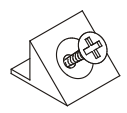
b)

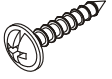


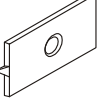
c)

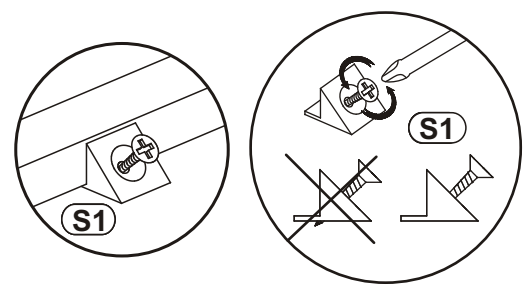
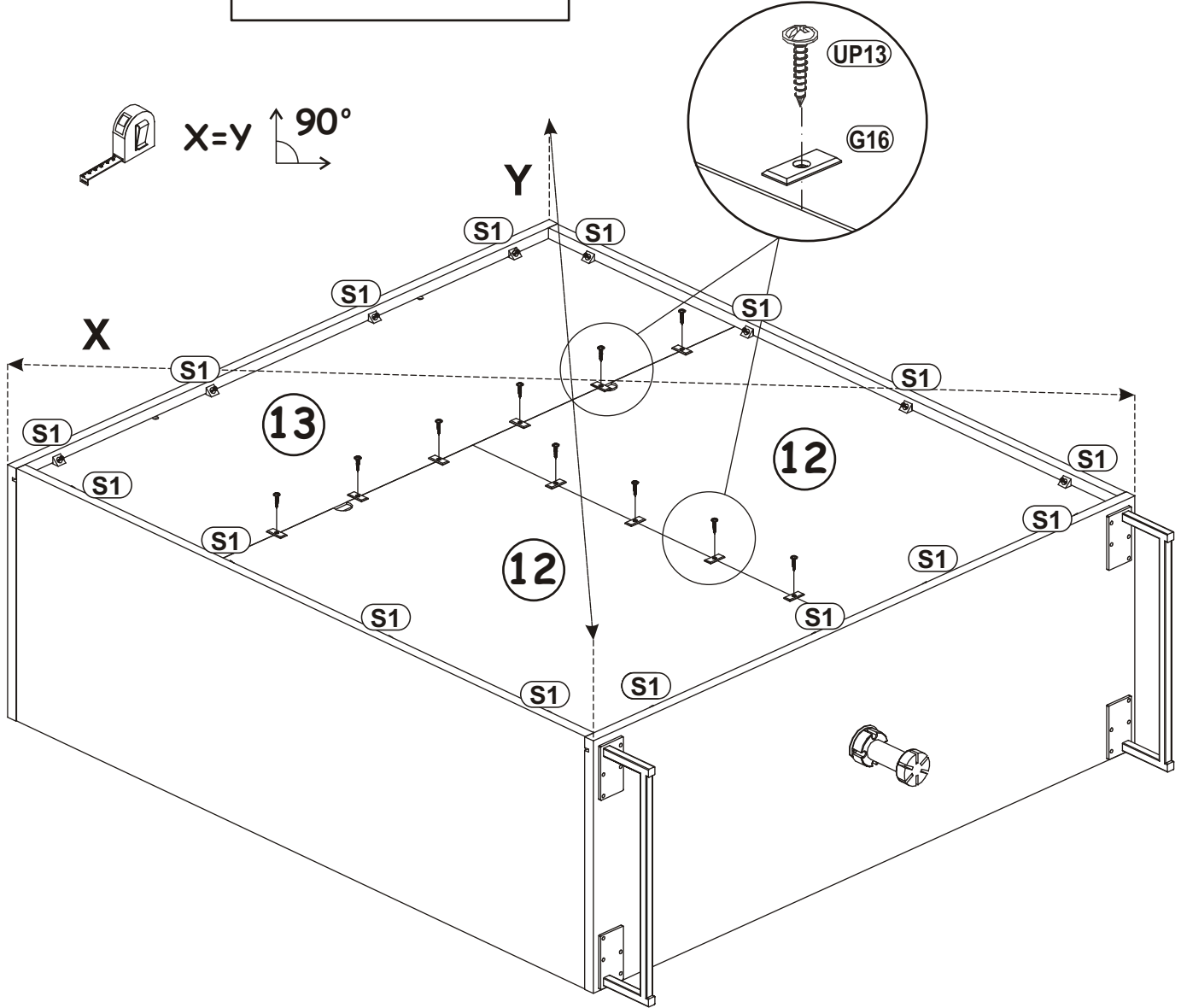
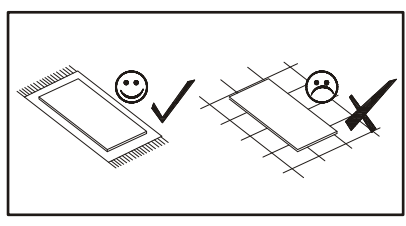


8

S1	
x16	

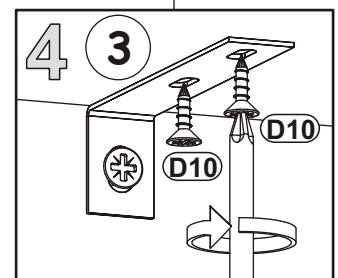
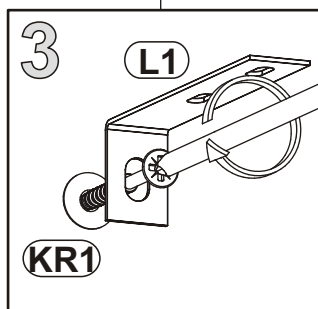
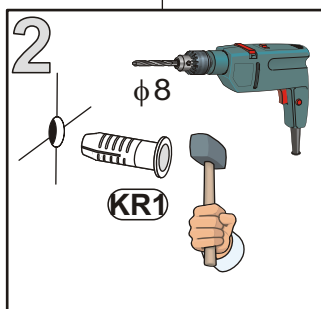
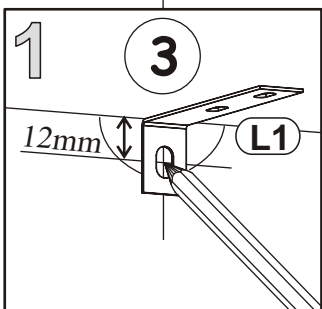
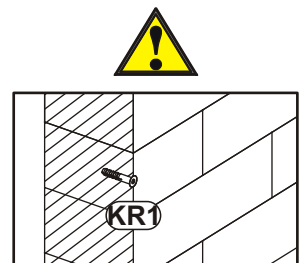
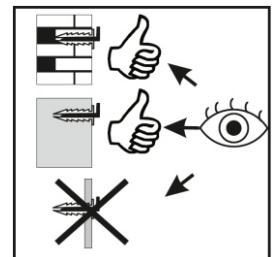
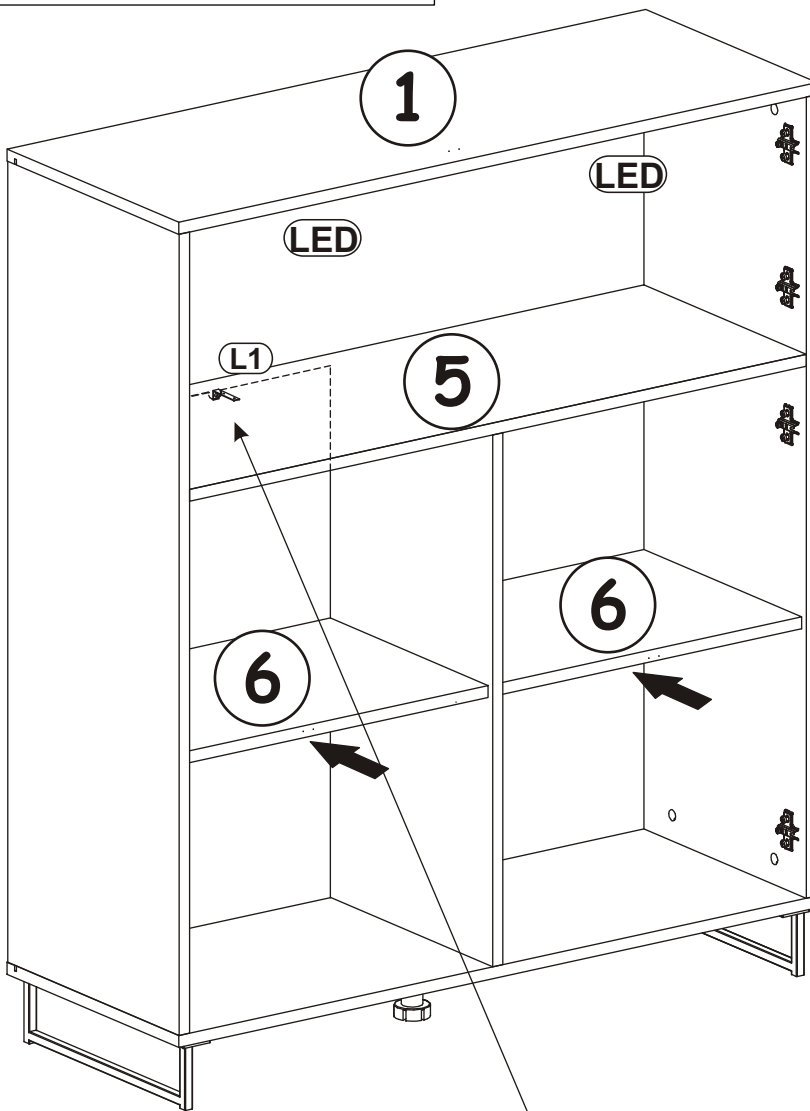
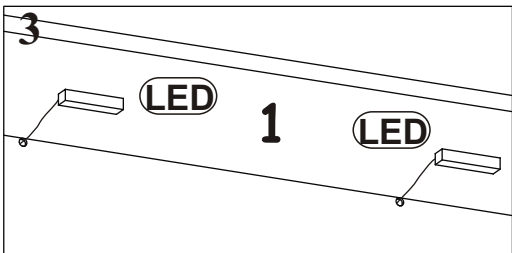
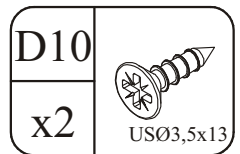
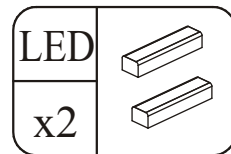
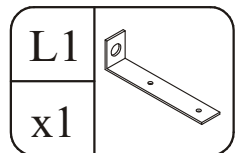
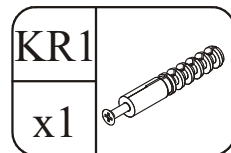
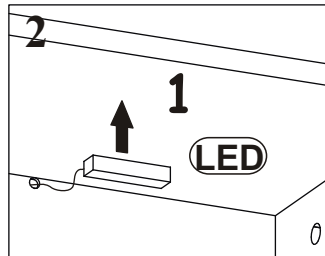
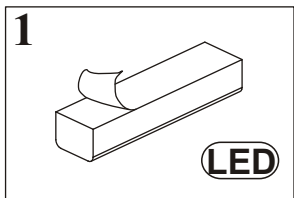
UP13	
x10	

G16	
x10	

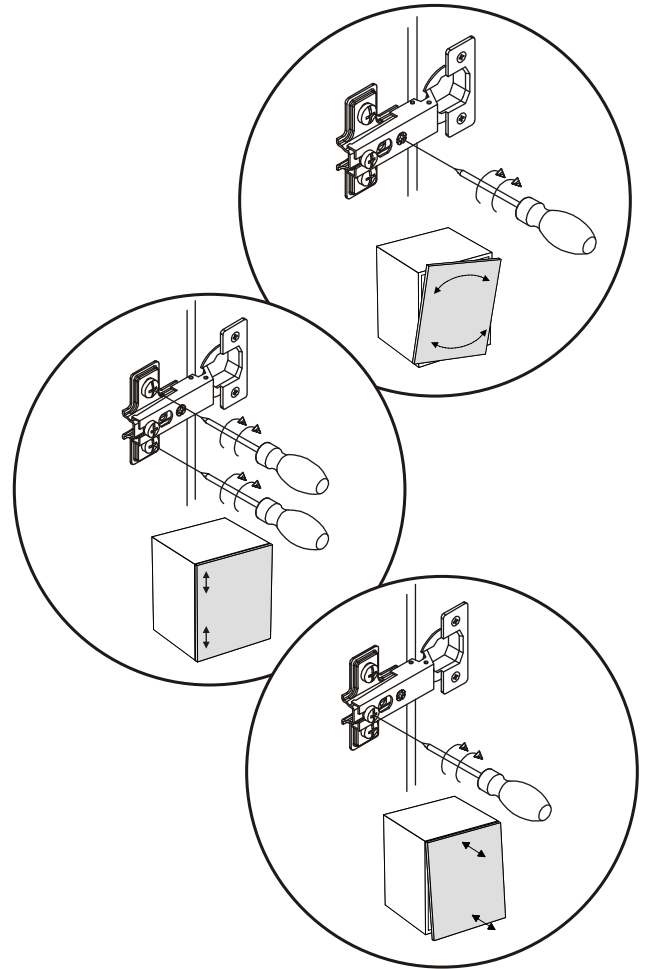
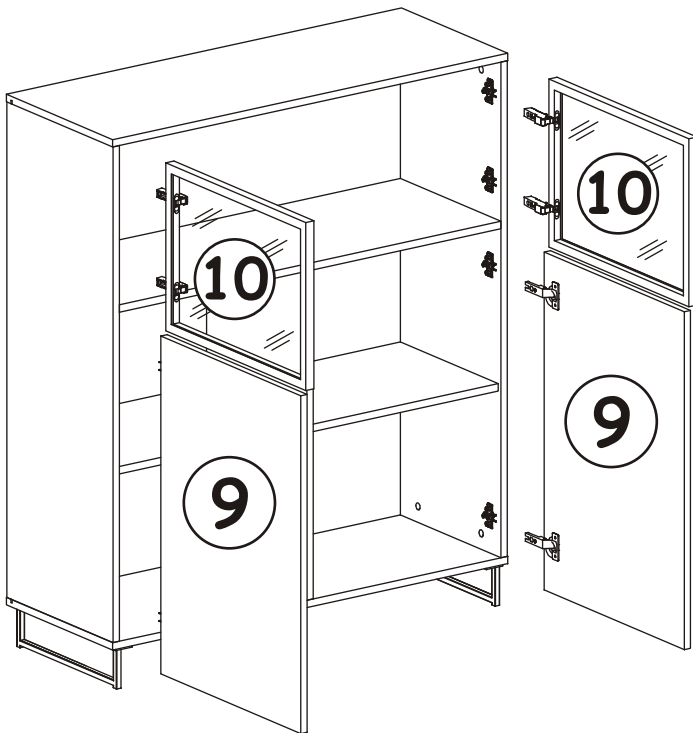


PLANK 29_PNWSN

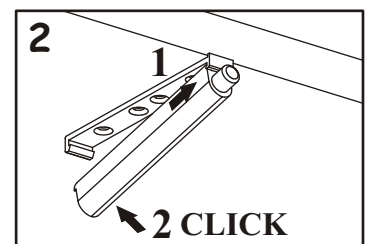
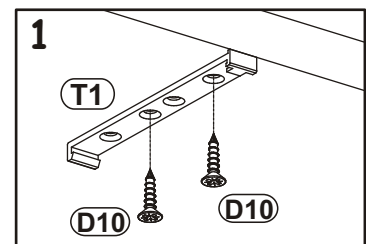
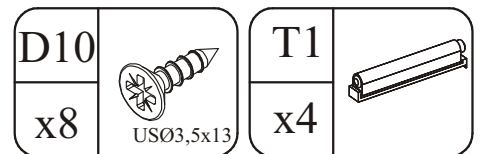
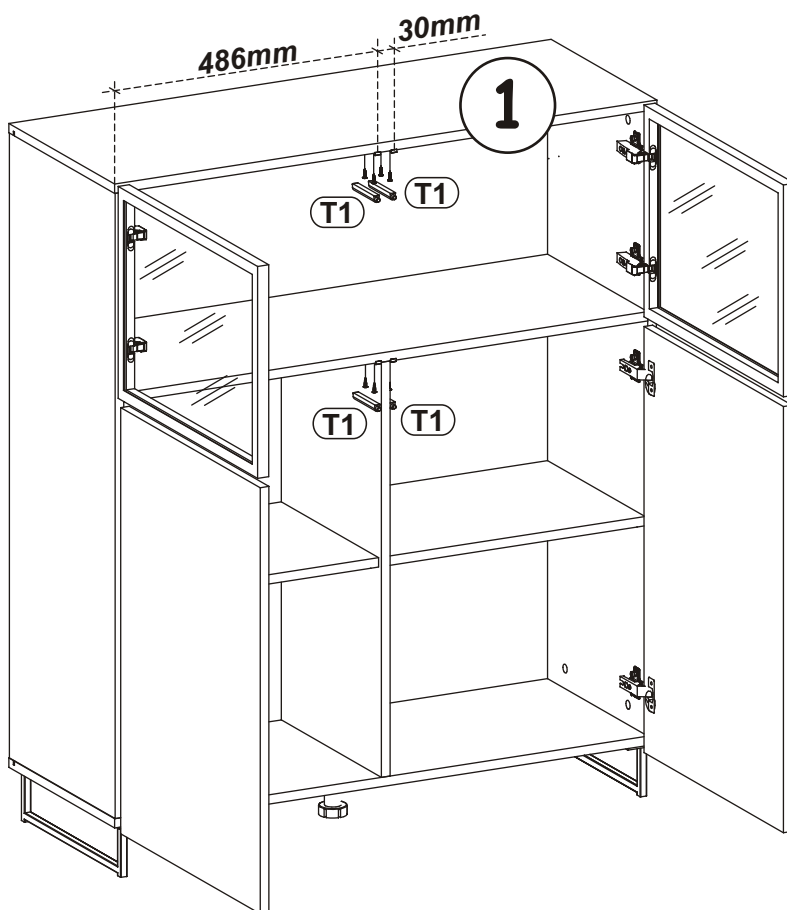
9



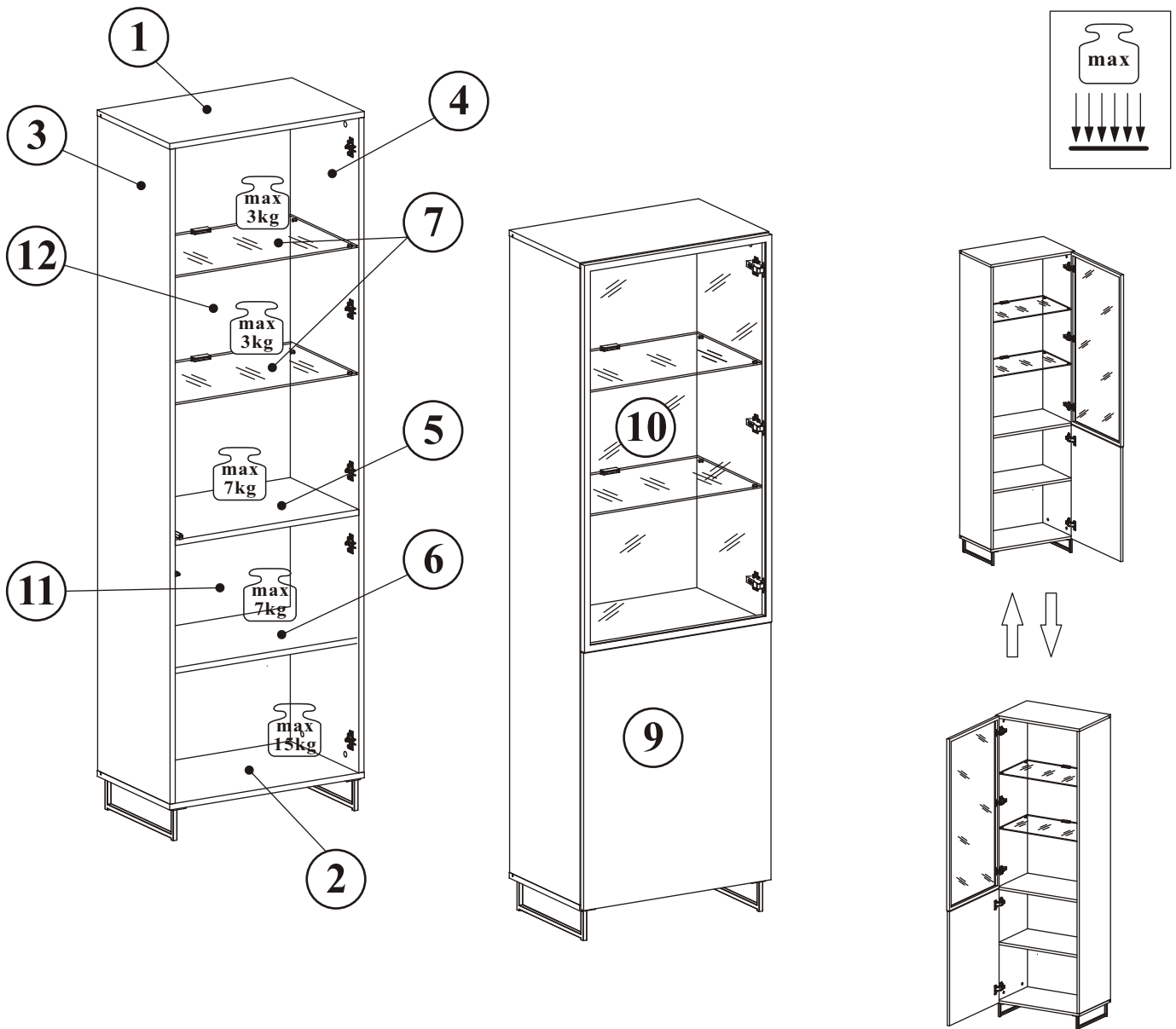
10



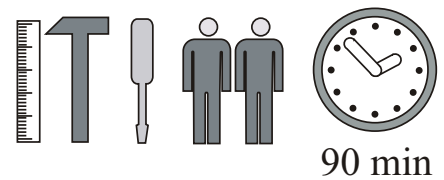
11



PLANK 29_PNWSW



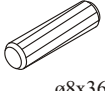
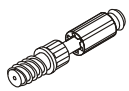
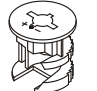

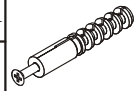
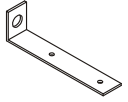
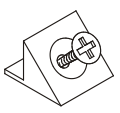
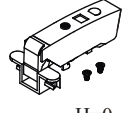
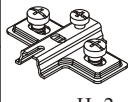
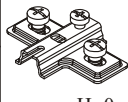
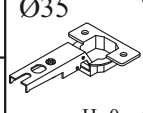
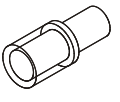

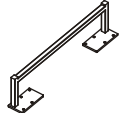

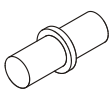
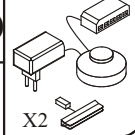

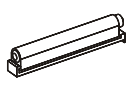
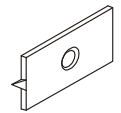


NO	Dim.			Col-No	Qty
1	602	376	16	1	1
2	602	376	16	1	1
3	1812	376	16	1	1
4	1812	376	16	1	1
5	568	356	16	1	1
6	568	346	16	1	1
7	567	346	5	1	2
9	596	732	16	1	1
10	596	1102	21	1	1
11	580	727	3	1	1
12	1097	580	3	1	1

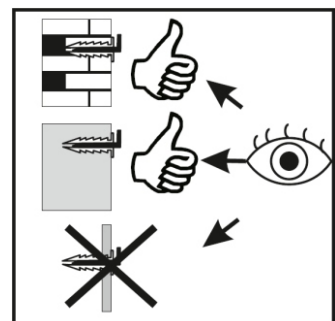
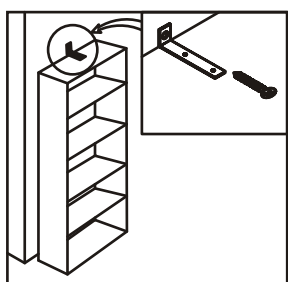
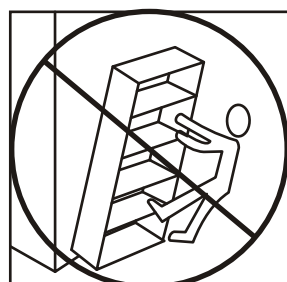
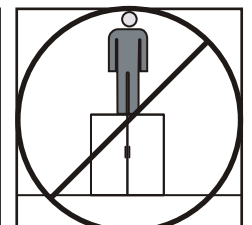
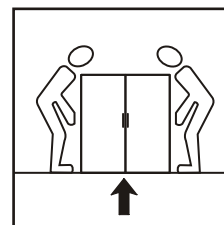
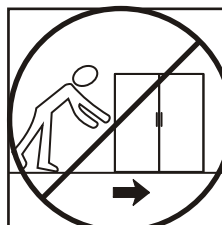
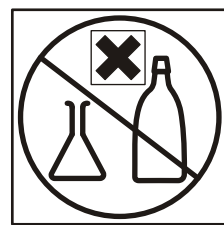
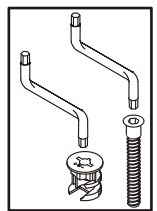
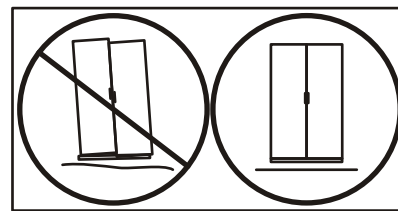
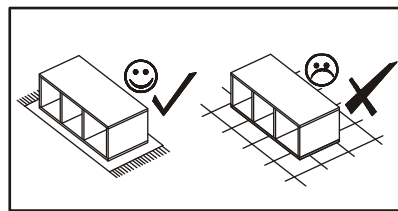
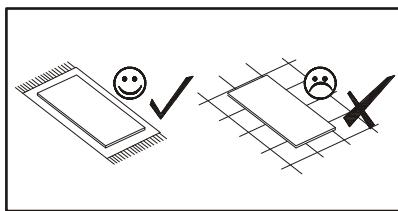
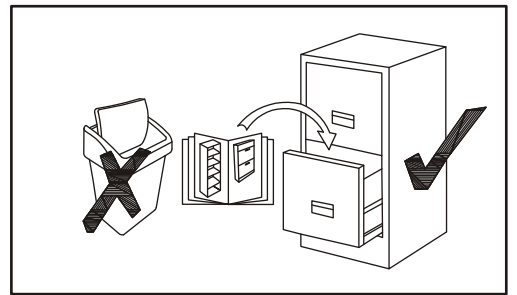
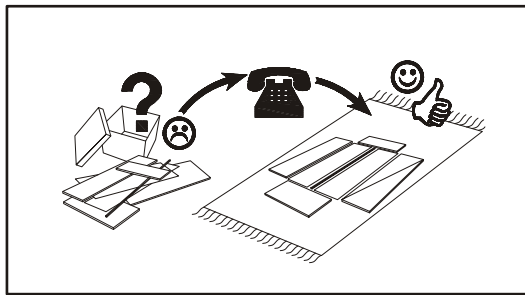
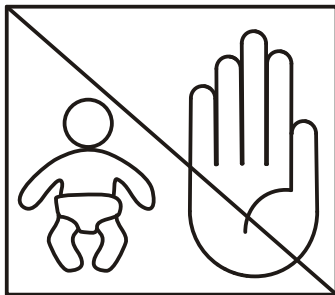
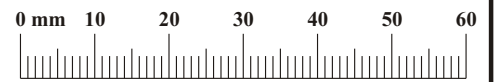


90 min



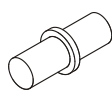

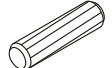
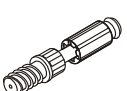
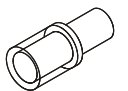
PLANK 29_PNWSW

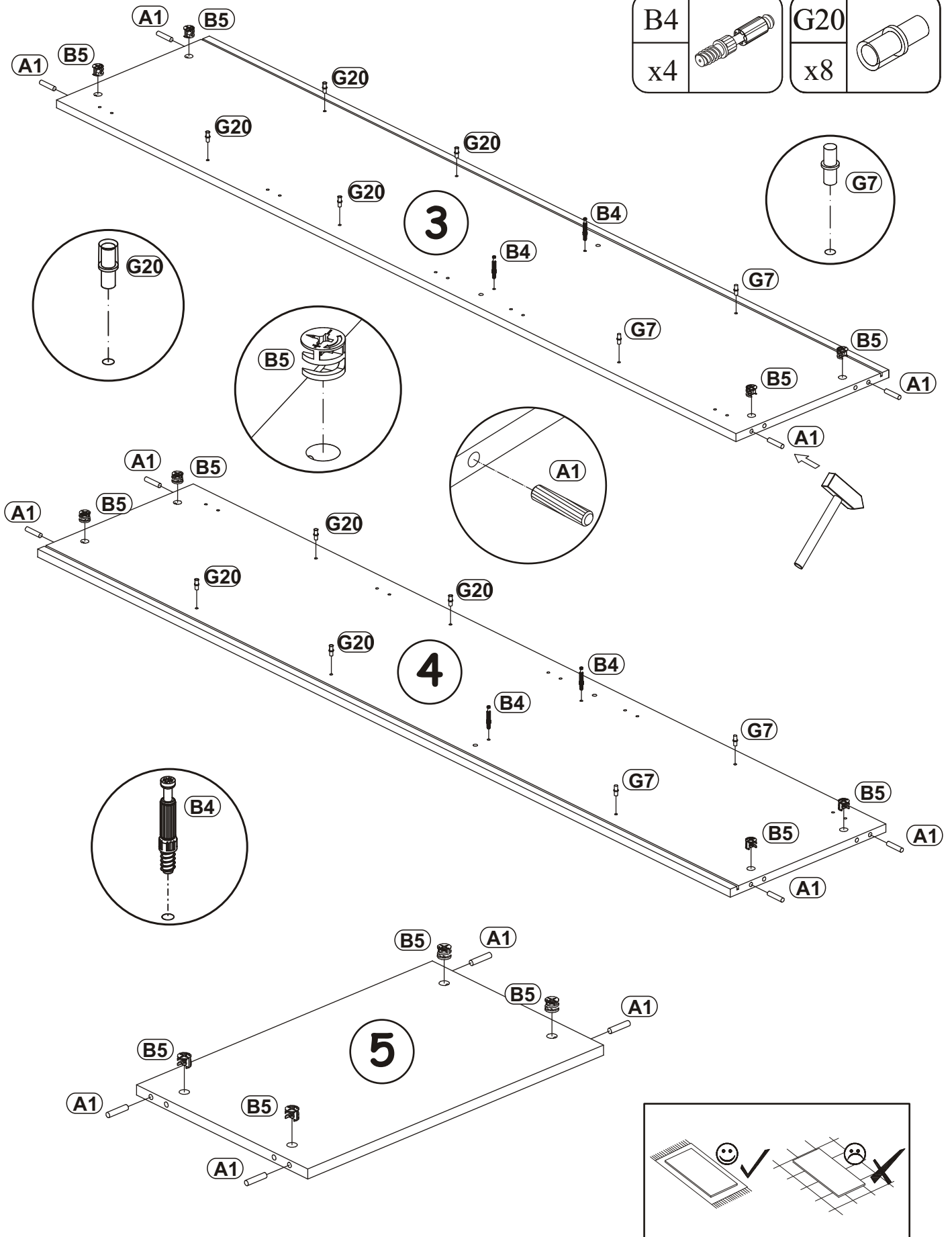
A1 x12  ø8x36	B4 x12 	B5 x12  ø15x12	G5 x12 	KR1 x1 	L1 x1 
S1 x16 	E30 x3  H=0	E4 x3  H=2	E2 x2  H=0	E21 x2  Ø35 H=0	G20 x8 
Z2 x10  Ø5	ST6 x2 	UP5 x16  UPØ4x16	G7 x4 	LED x1  x2	G2 x1 
T1 x2 	G16 x4 	UP13 x4  UPØ3x16	D10 x10  USØ3,5x13		



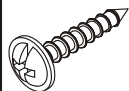
PLANK 29_PNWSW

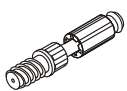
1

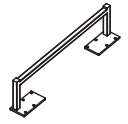
G7 x4		B5 x12	 ø15x12	A1 x12	 ø8x36
B4 x4		G20 x8			



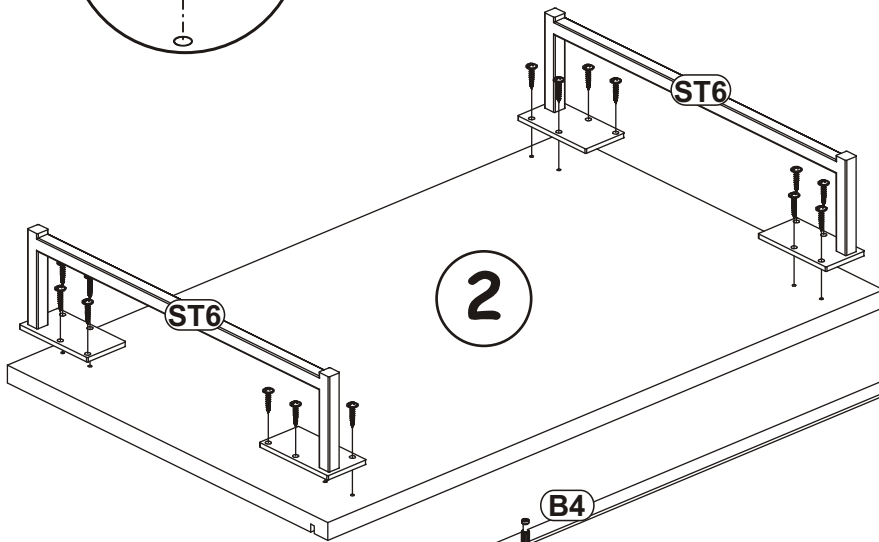
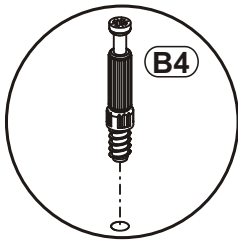
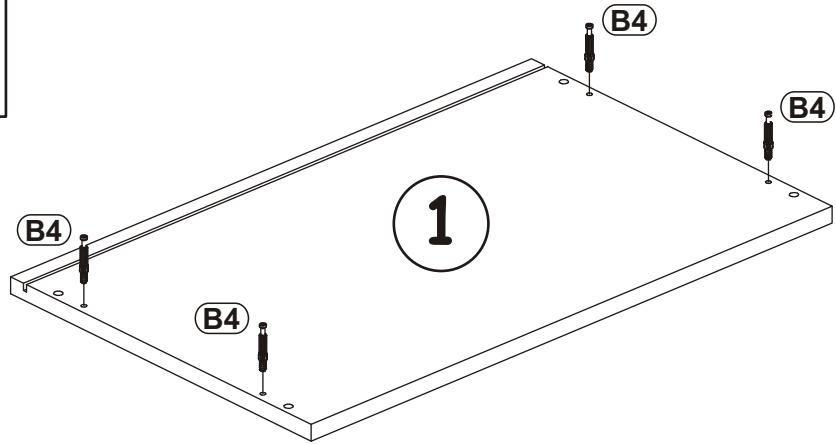
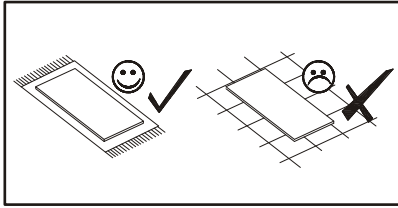
PLANK 29_PNWSW

UP5	
x16	UPØ4x16

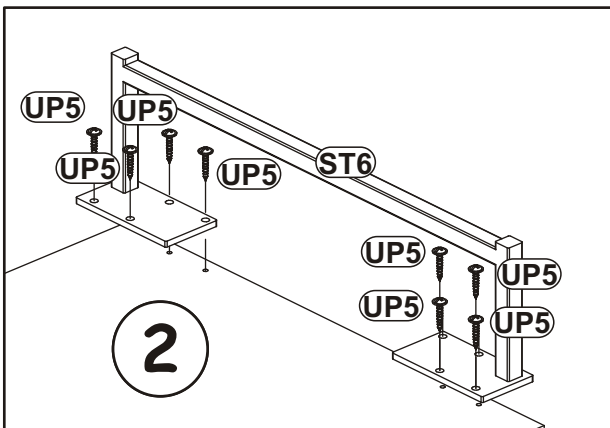
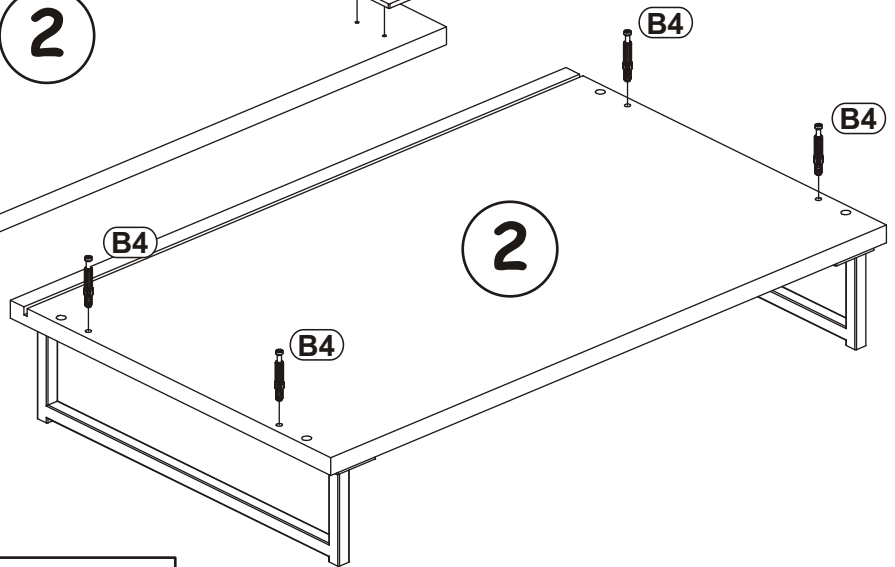
B4	
x8	

ST6	
x2	

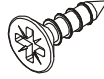
2

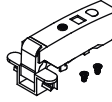


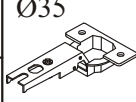
180°



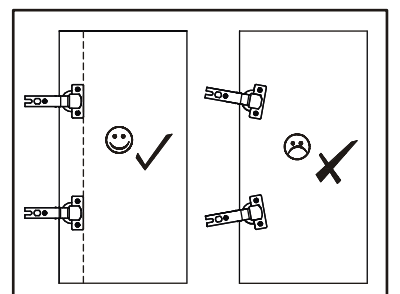
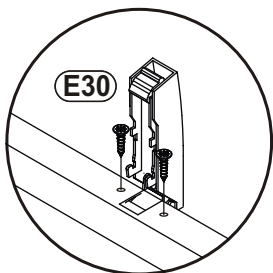
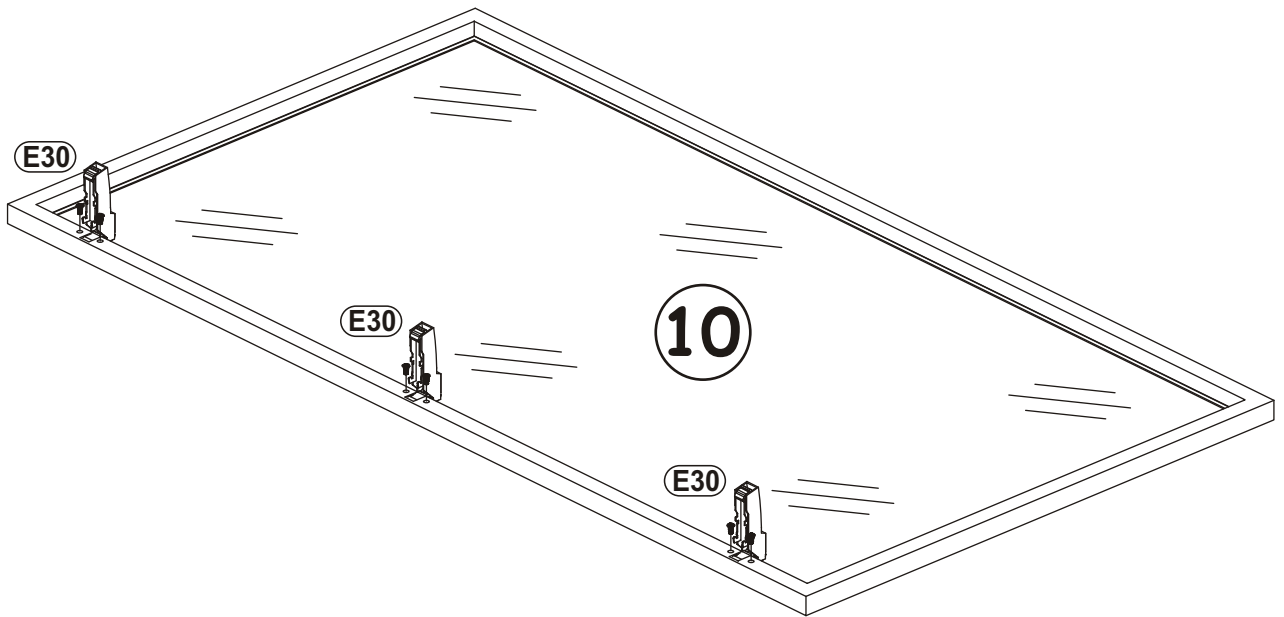
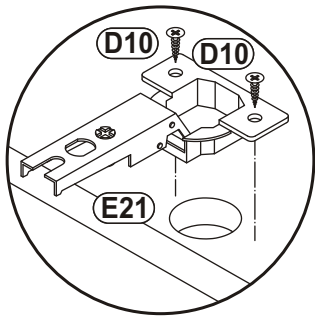
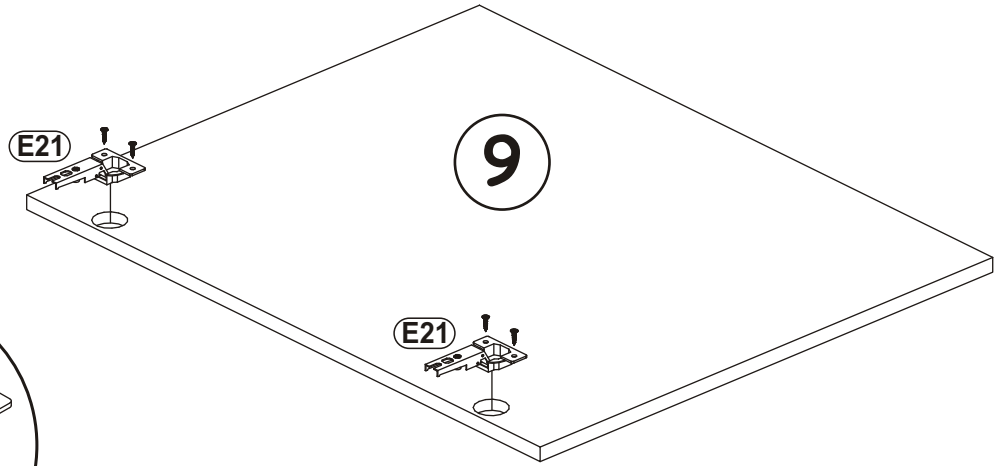
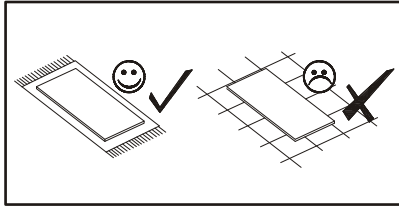
PLANK 29_PNWSW


D10	
x4	USØ3,5x13

E30	
x3	H=0

E21	
x2	Ø35 H=0

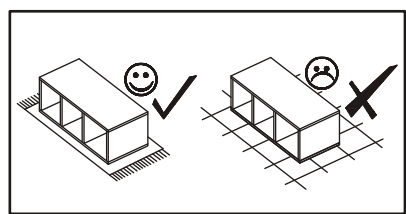
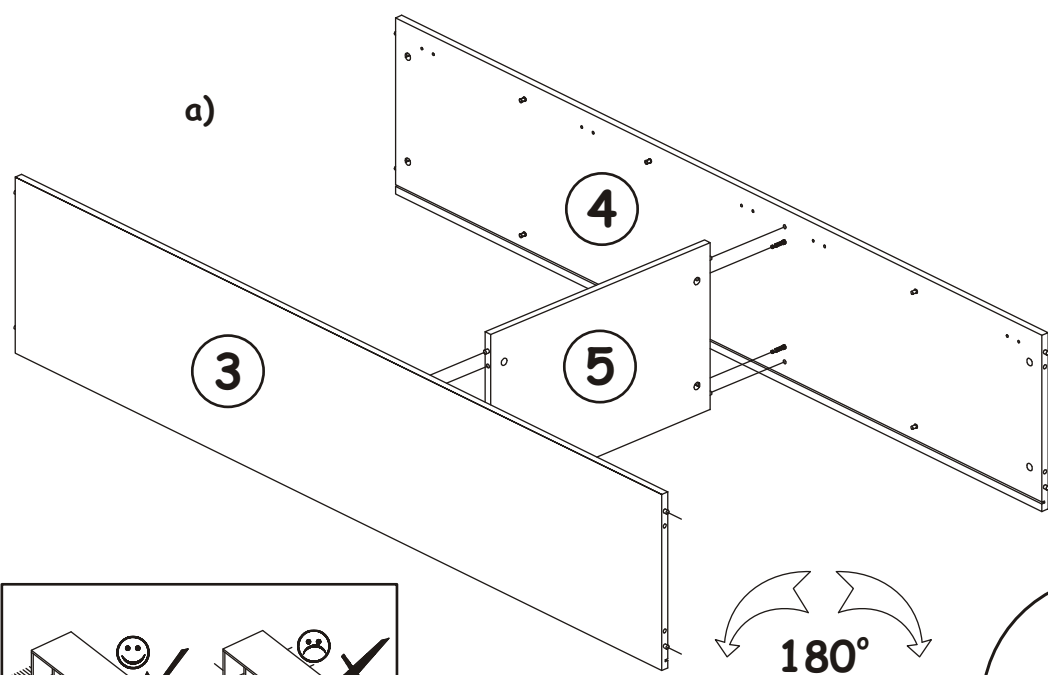
3



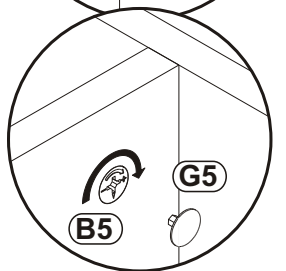
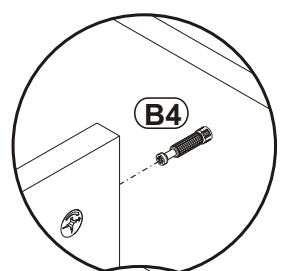
G5	
x4	

4

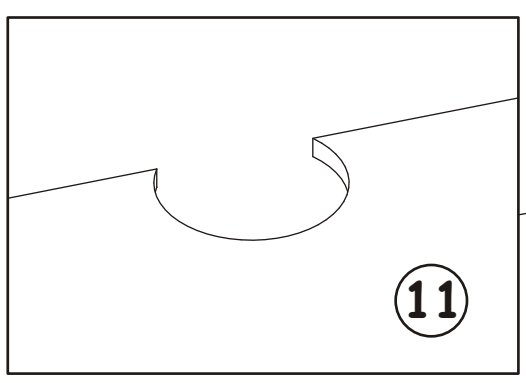
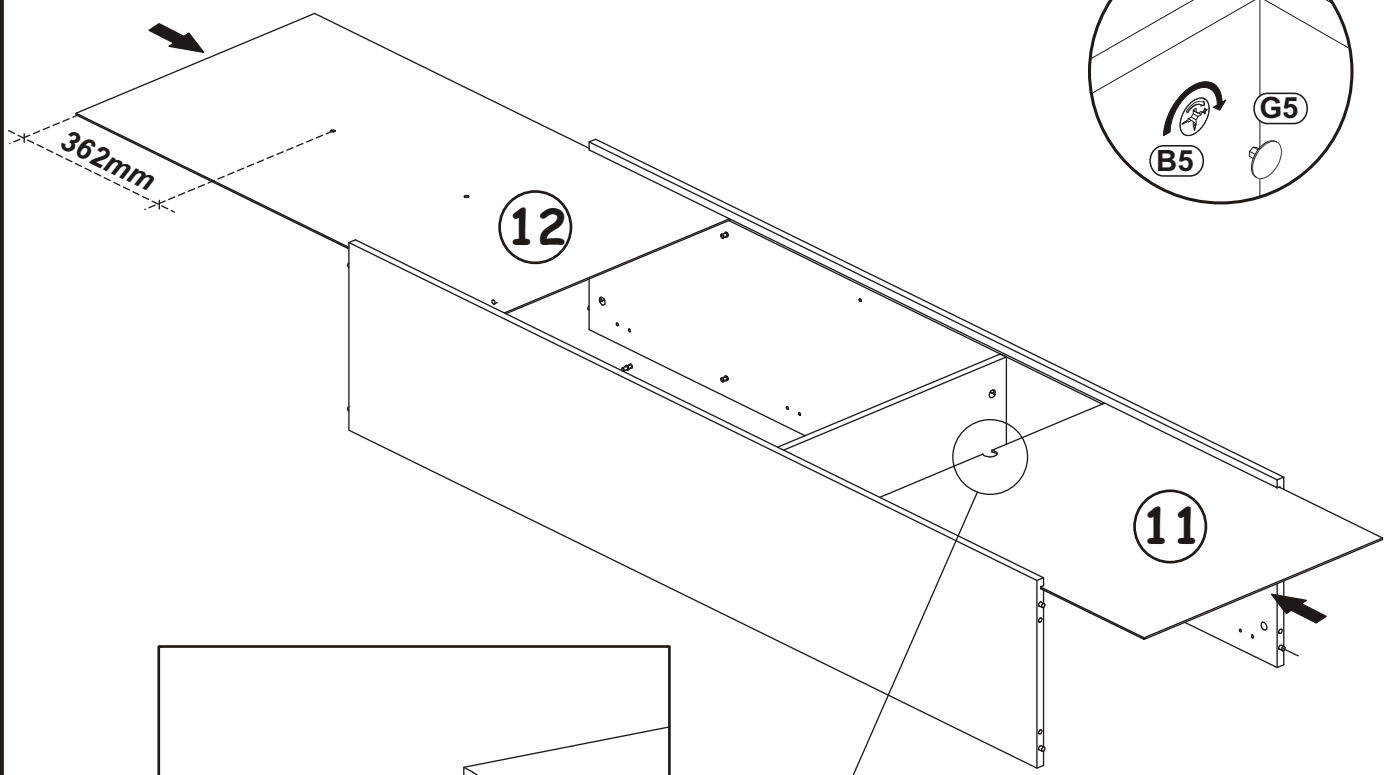
a)




180°



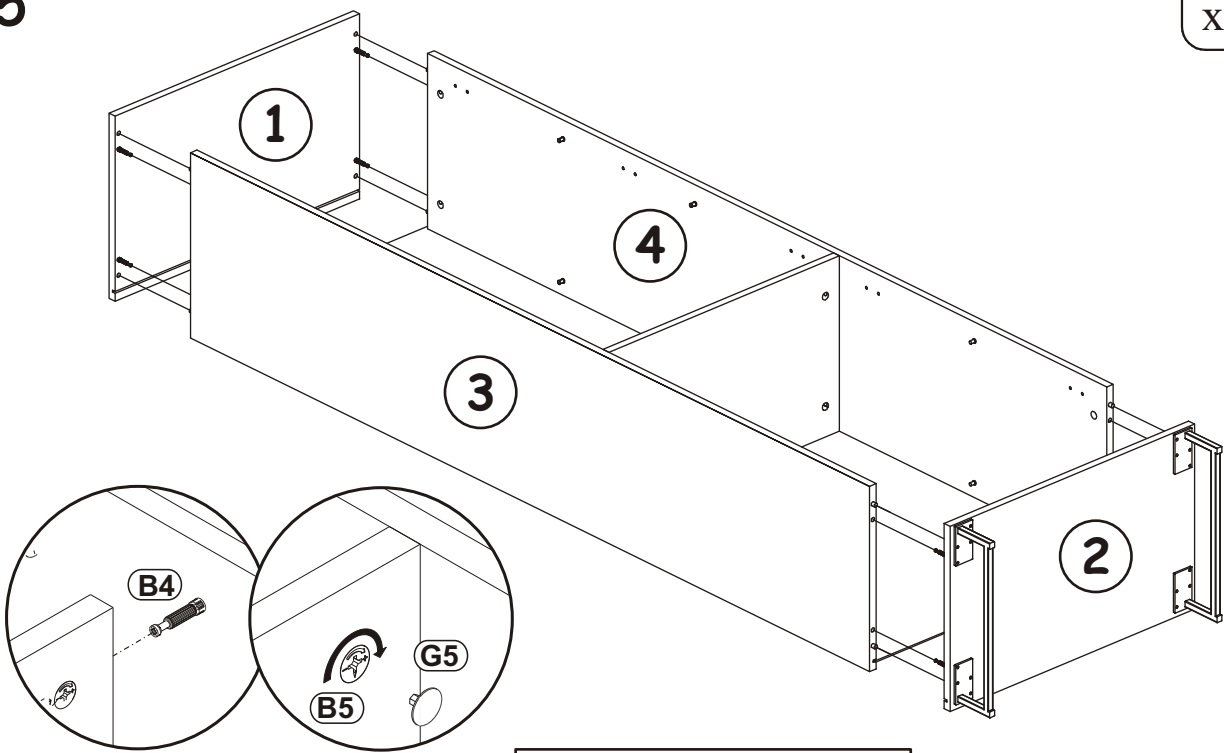
b)



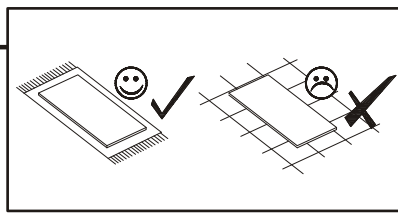
180°

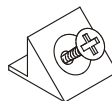
G5	
x8	

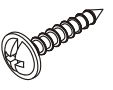
5

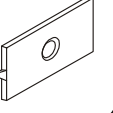


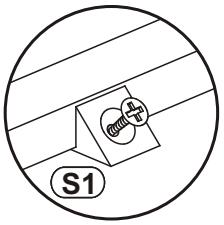
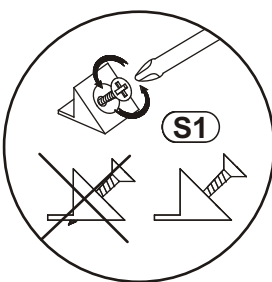
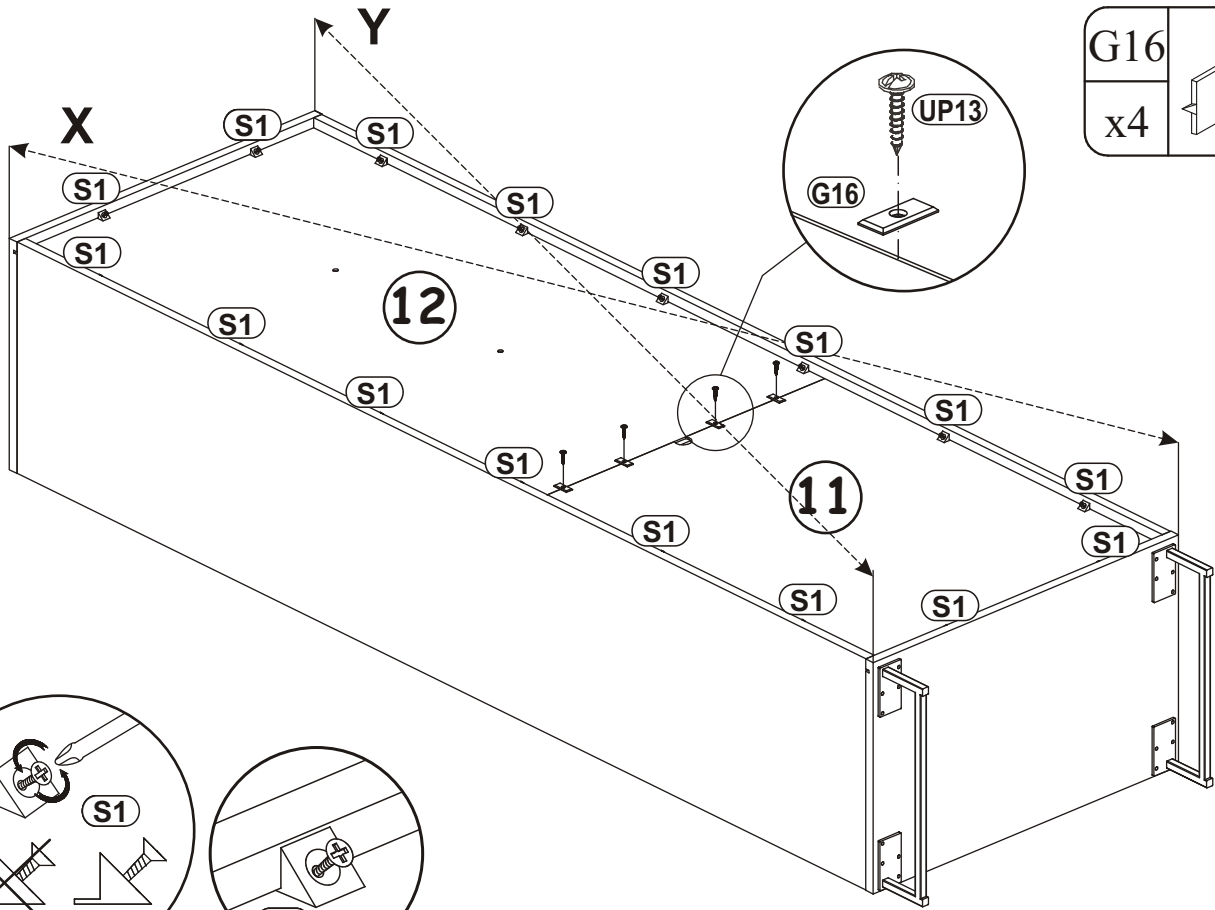
6



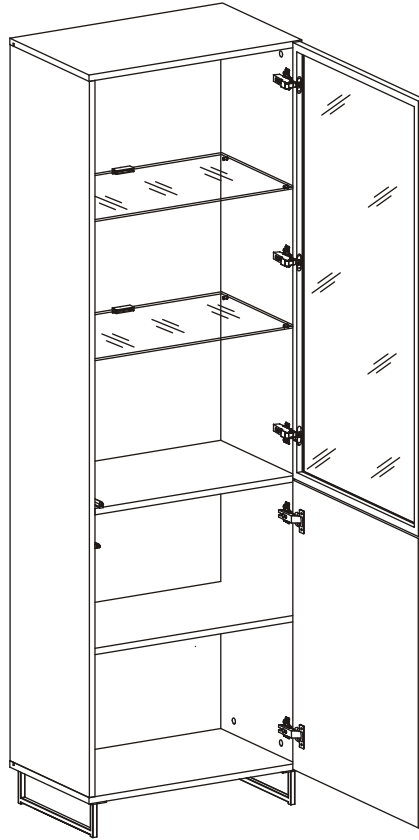
S1	
x16	

UP13	
x4	

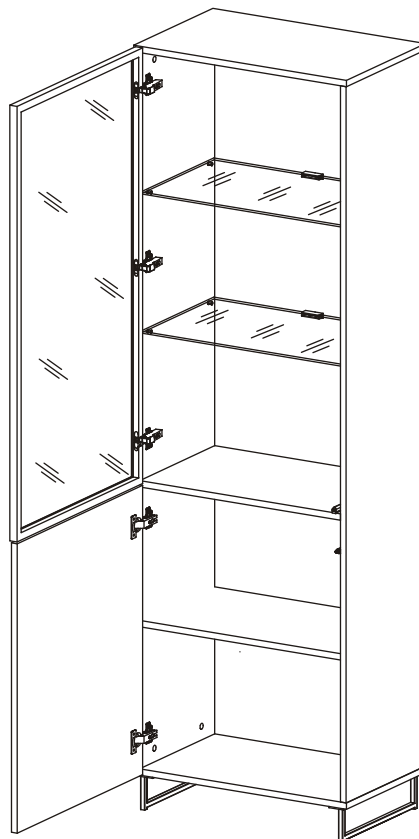
G16	
x4	



7 - 10

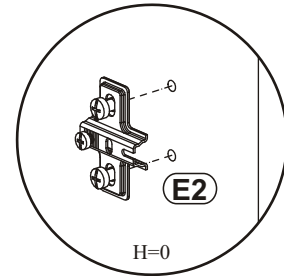
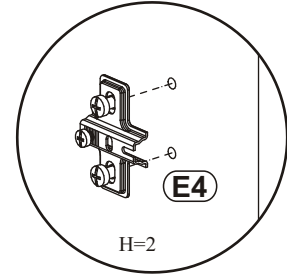
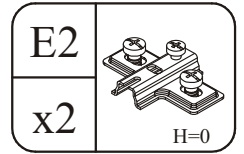
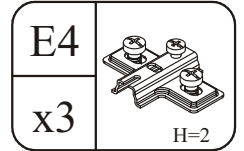
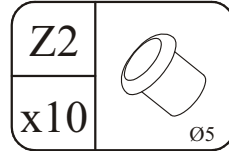
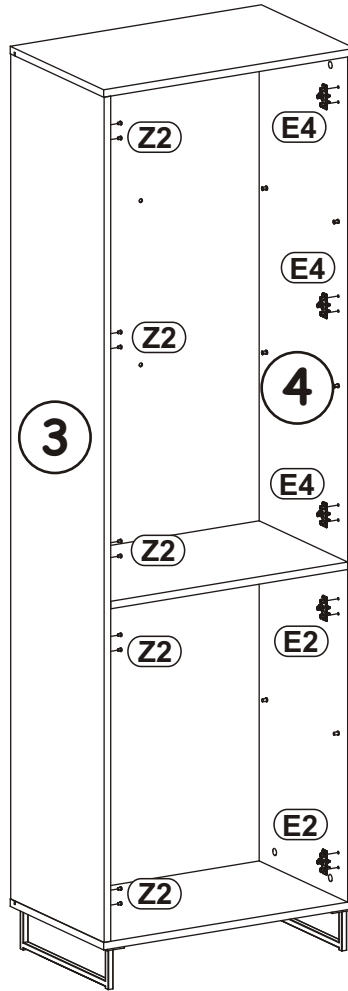
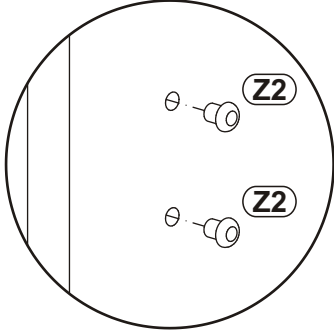
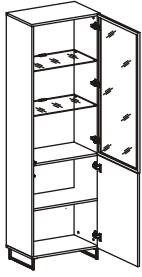


11 - 14

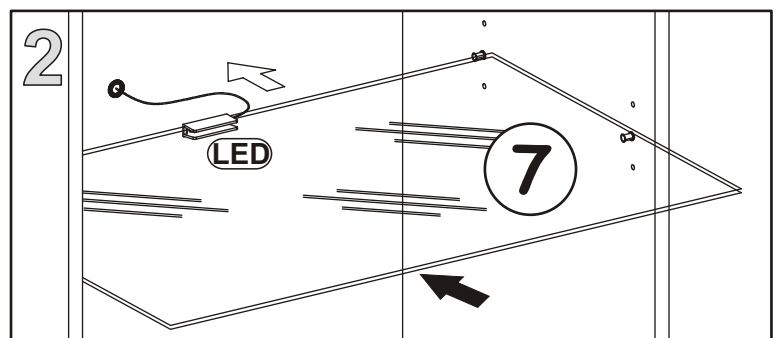
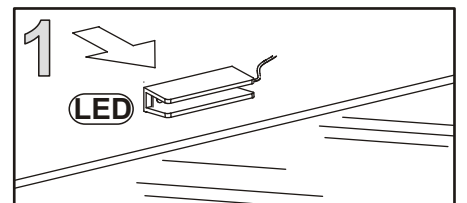
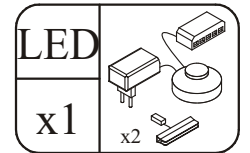
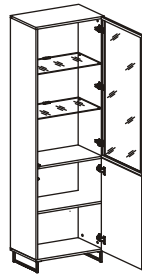
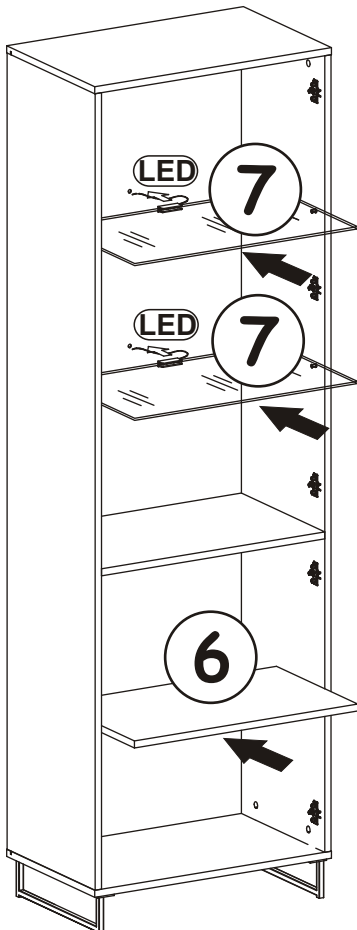


PLANK 29_PNWSW

7

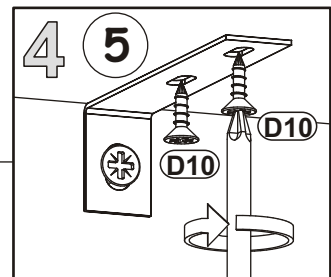
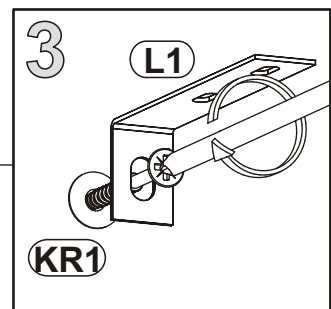
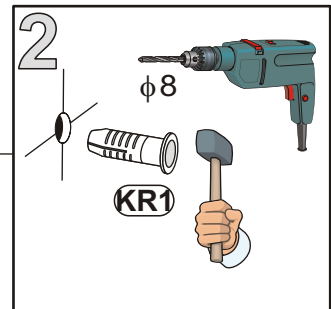
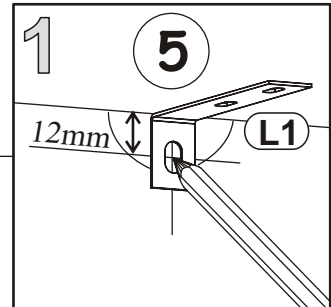
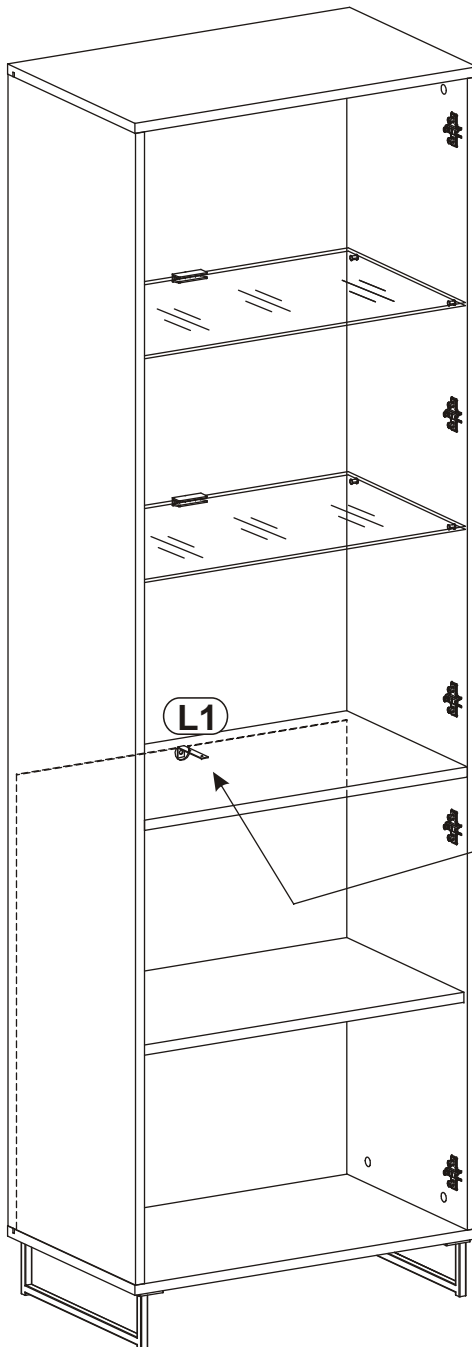
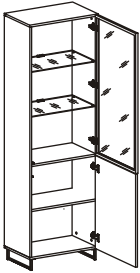
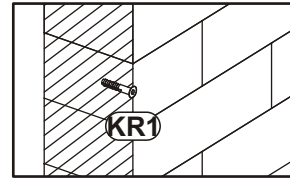
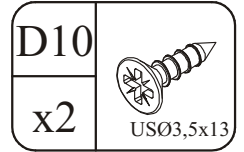
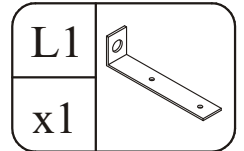
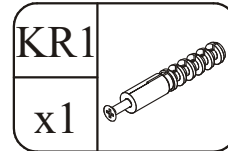
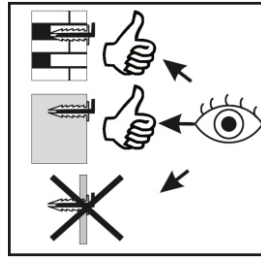
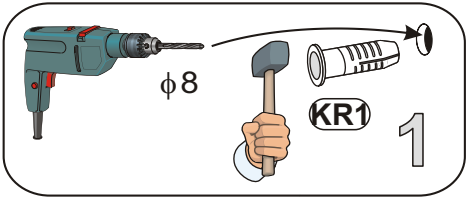


8

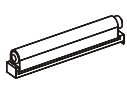
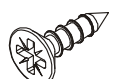


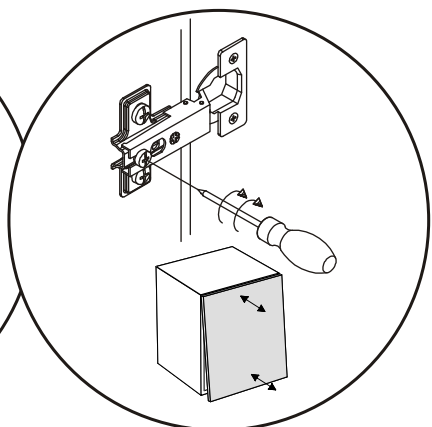
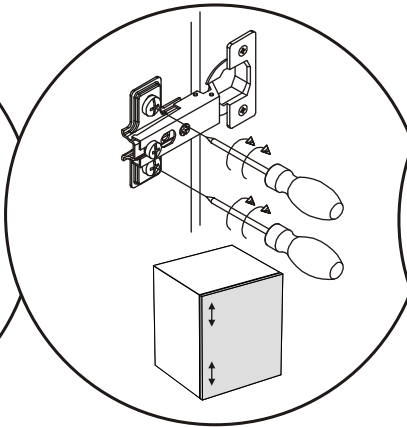
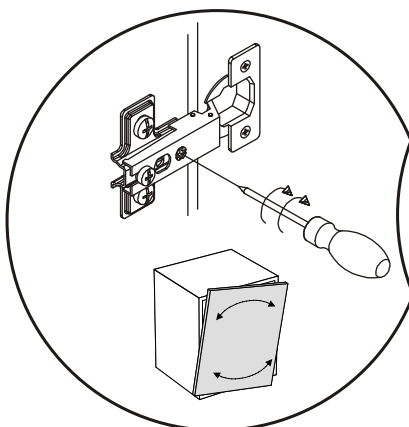
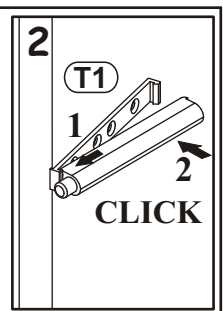
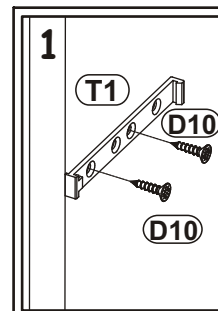
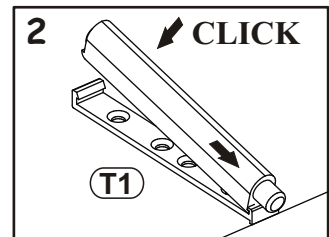
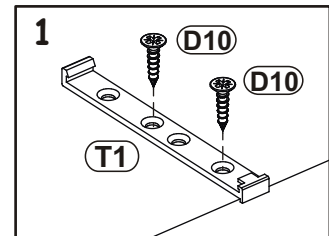
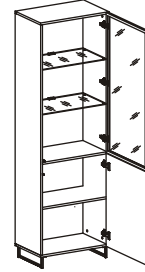
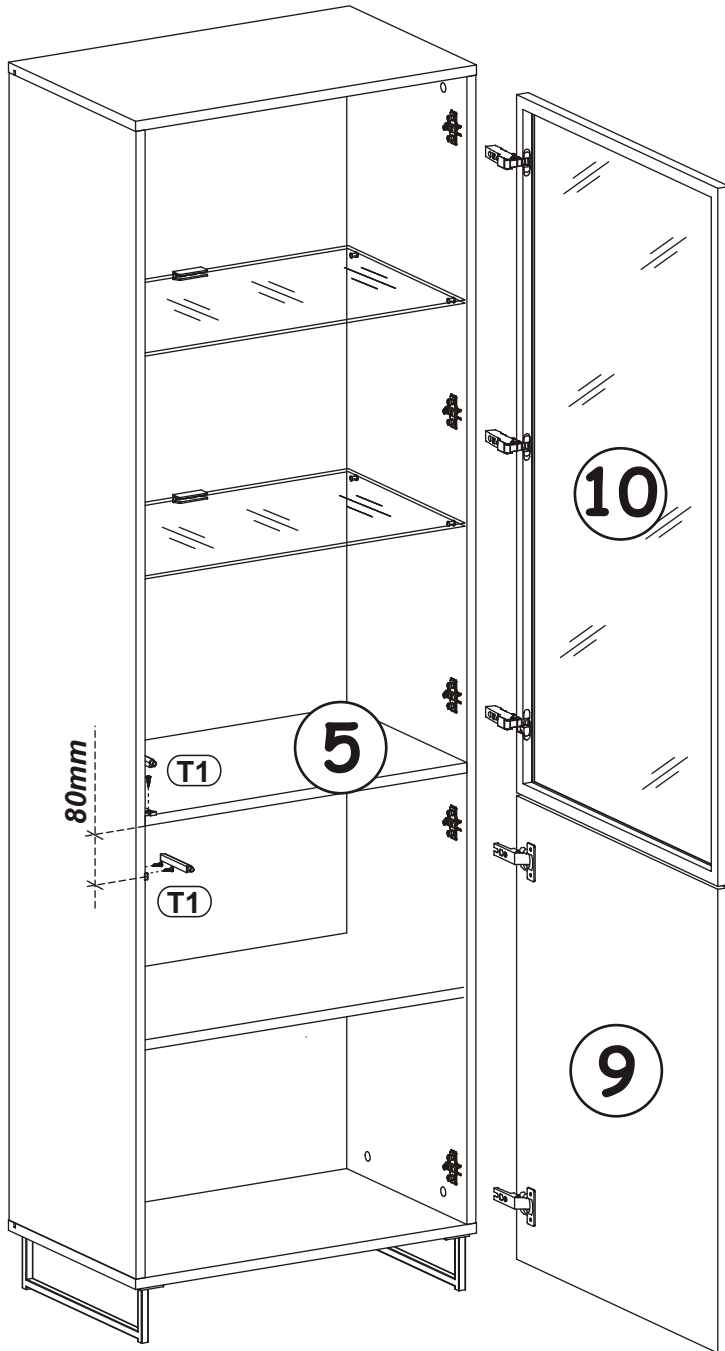
PLANK 29_PNWSW

9



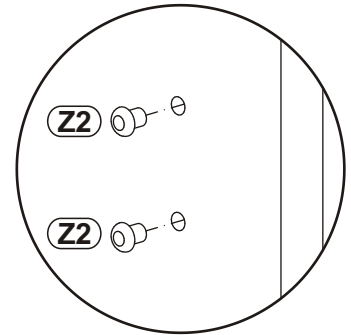
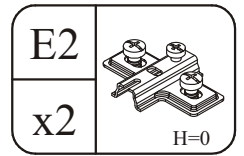
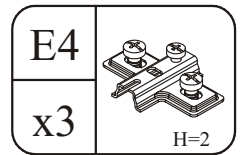
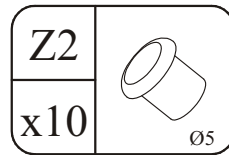
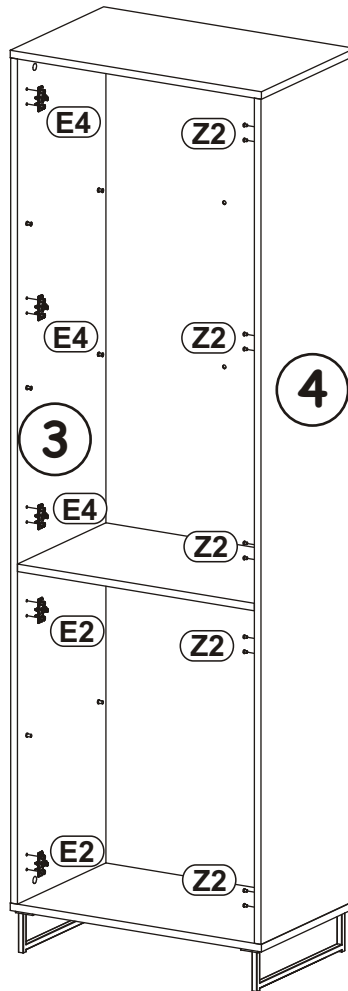
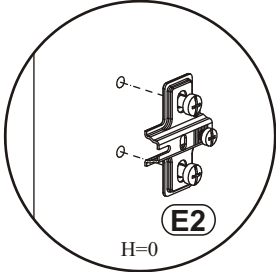
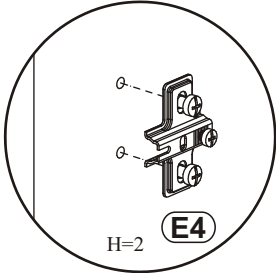
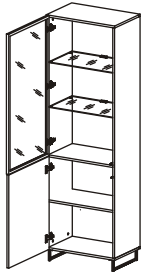
10

T1		D10	
x2		x4	USØ3,5x13

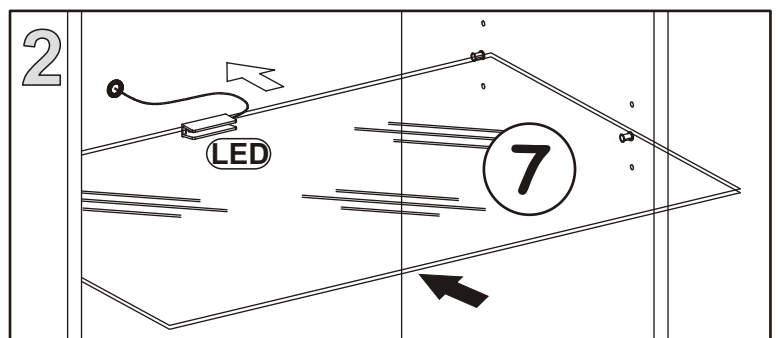
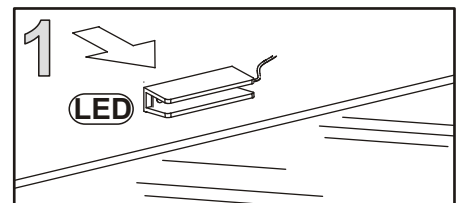
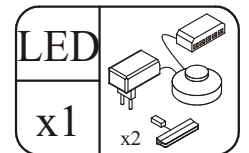
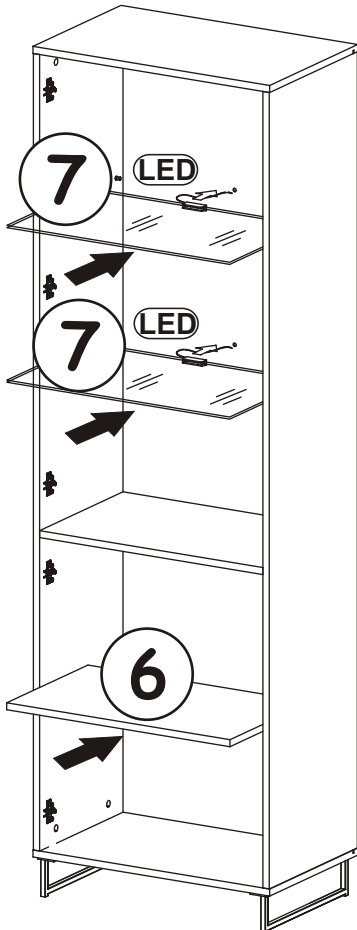


PLANK 29_PNWSW

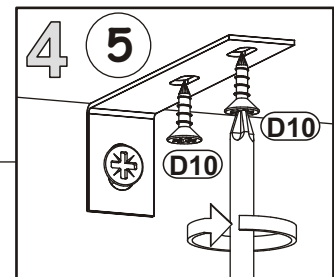
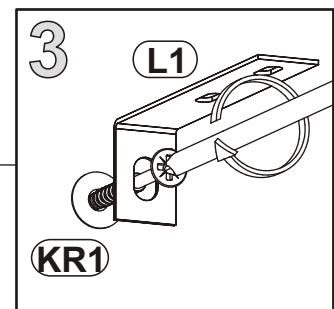
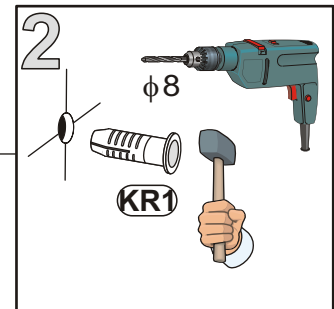
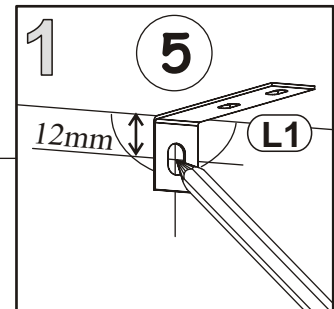
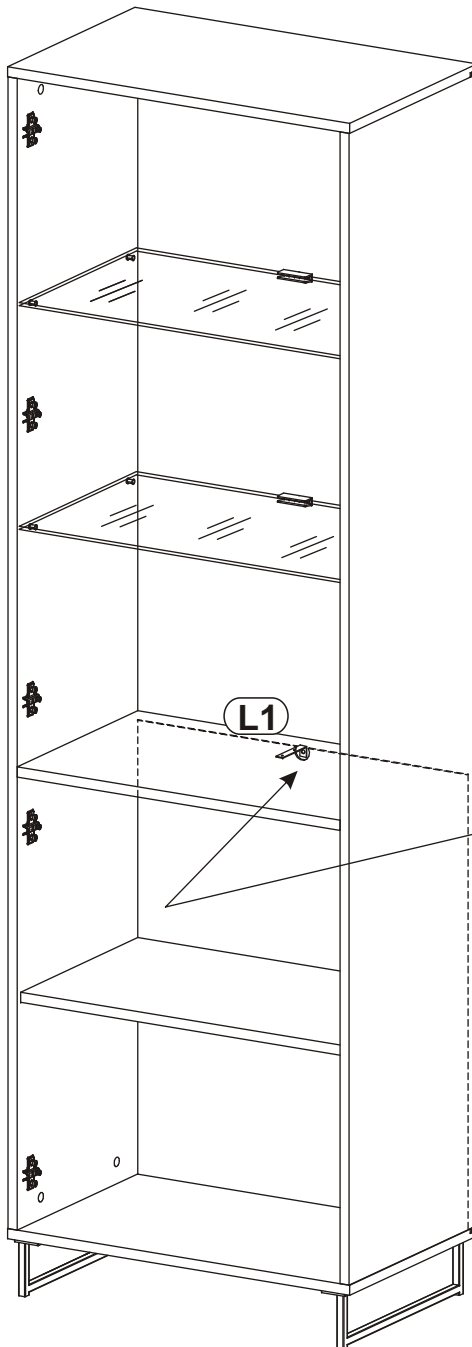
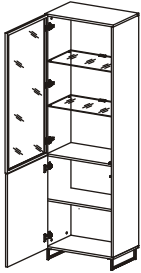
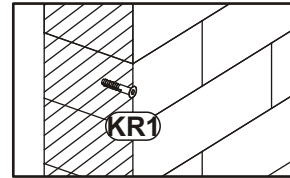
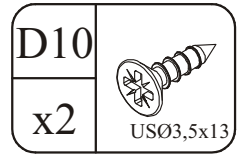
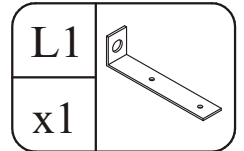
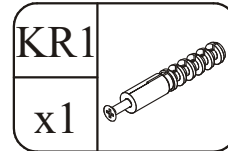
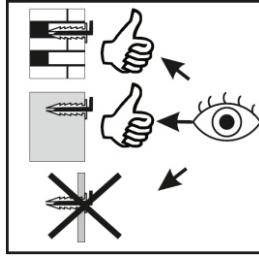
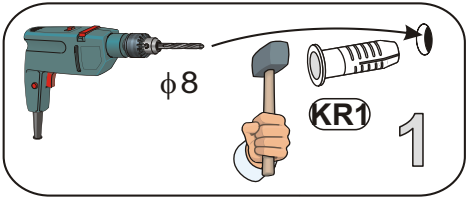
11



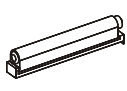
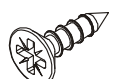
12



13



14

T1		D10	
x2		x4	USØ3,5x13

