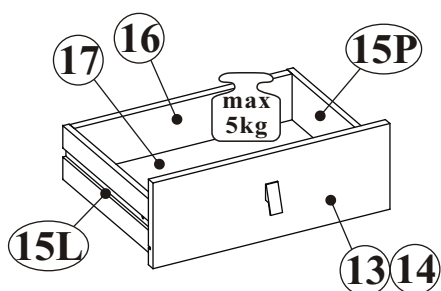
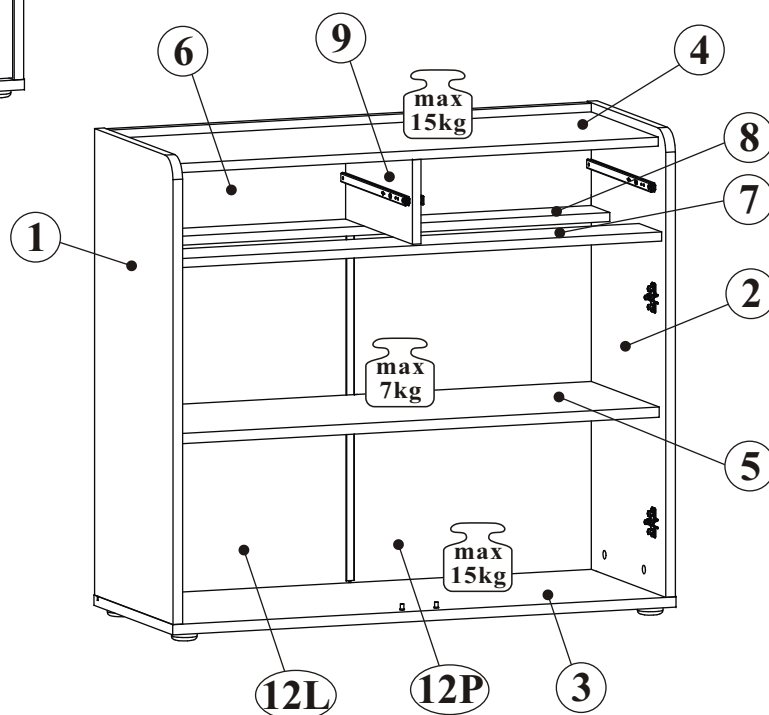
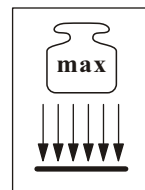
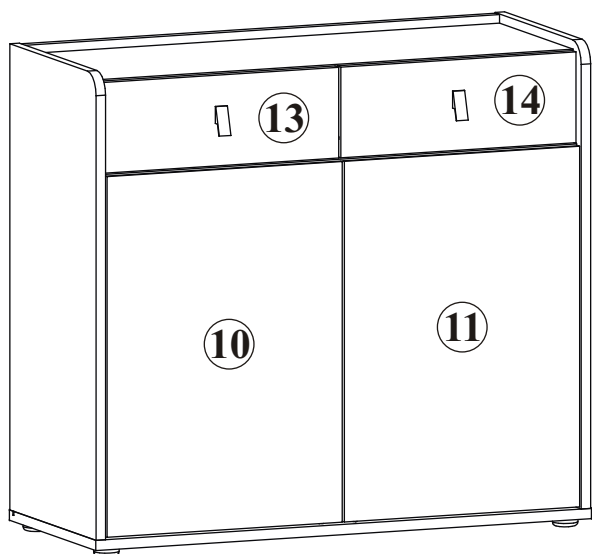
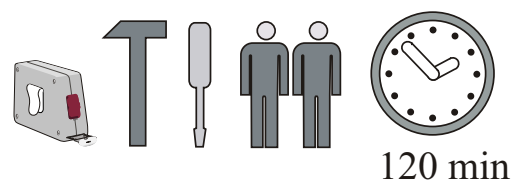


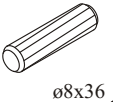
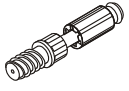




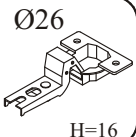
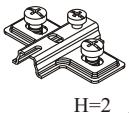



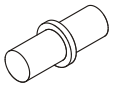




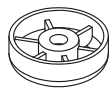

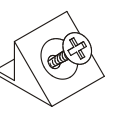
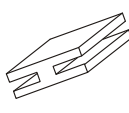
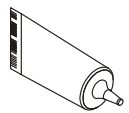
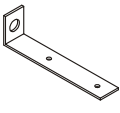
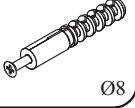

# VIVERO 20\_VV-TYP 03-SB1

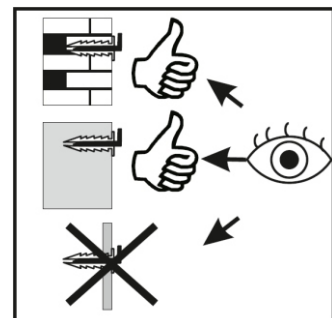
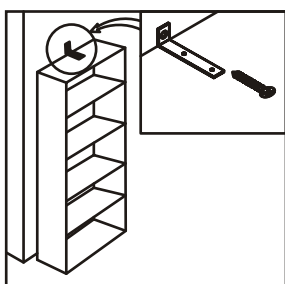
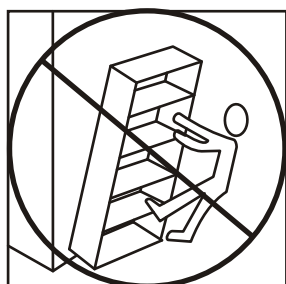
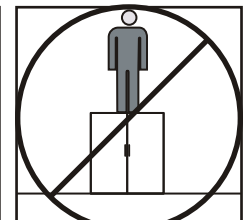
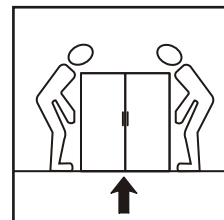
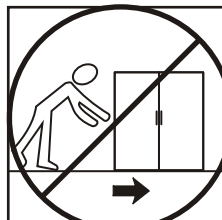
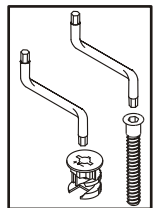
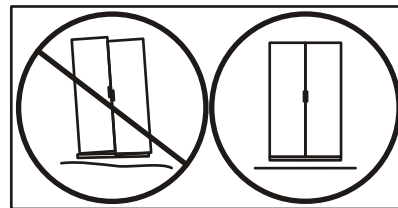
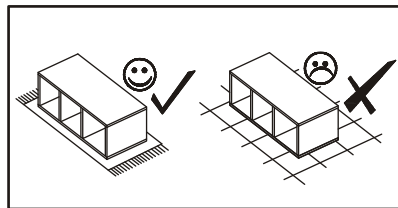
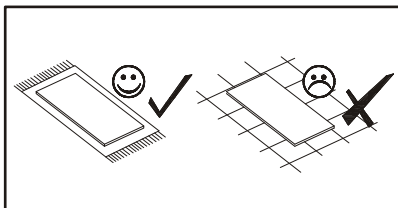
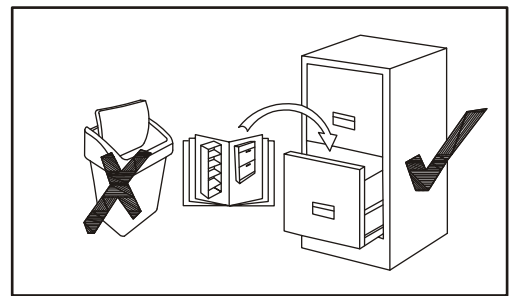
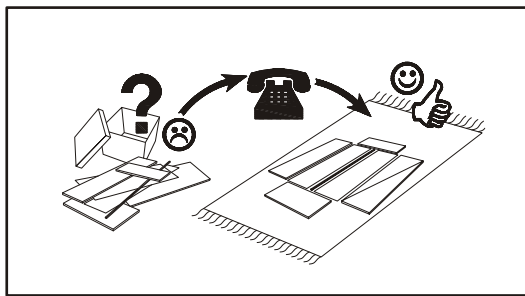
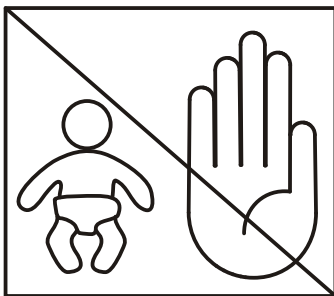
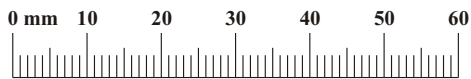


NO	Dim.			Col.-No	Qty
1	822	382	18	1	1
2	822	382	18	1	1
3	940	383	18	1	1
4	902	326	16	1	1
5	902	330	18	1	1
6	902	180	18	1	1
7	902	110	16	1	1
8	902	90	16	1	1
9	149	326	16	1	1
10	636	446	18	2	1
11	636	446	18	2	1
12L	643	455	3	2	1
12P	643	455	3	2	1
13	446	160	16	1	1
14	446	160	16	1	1
15L	300	100	12	2	2
15P	300	100	12	2	2
16	410	86	16	1	2
17	420	305	3	2	2

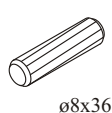
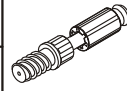



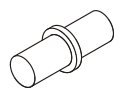
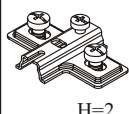


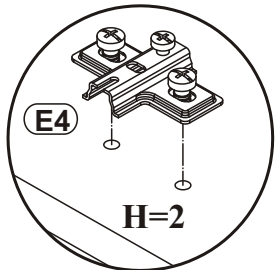
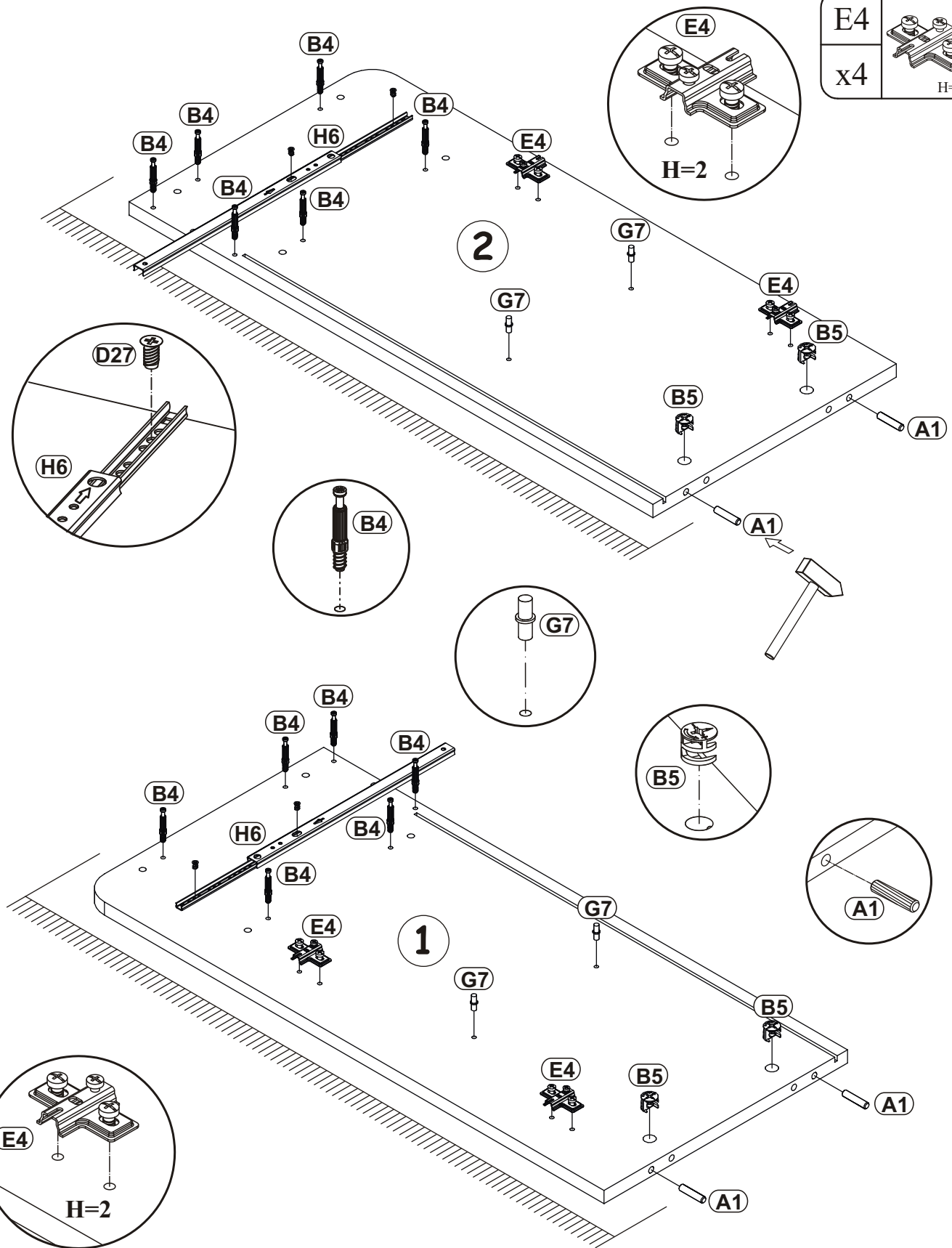
VIVERO 20\_VV-TYP 03-SB1

A1 x34  ø8x36	B4 x20 	B5 x20  Ø15x12	G5 x20 	B11 x2  Ø7x50	G4 x2 
E5 x4  Ø26 H=16	E4 x4  H=2	D10 x10  USØ3,5x13	A955 x2 	DS3 x2  WSM4x20	G7 x6 
H6 x2  L-310mm	D27 x8  ESØ6x8	D18 x4  M4x9	UP13 x20  UPØ3x16	I11 x4  Ø45, h=15	UP11 x4  UPØ4x20
S1 x12 	G8 x1 	G1 x1 	L1 x1 	KR1 x1  Ø8	G2 x1 

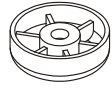
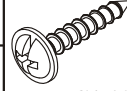
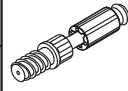


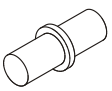
1

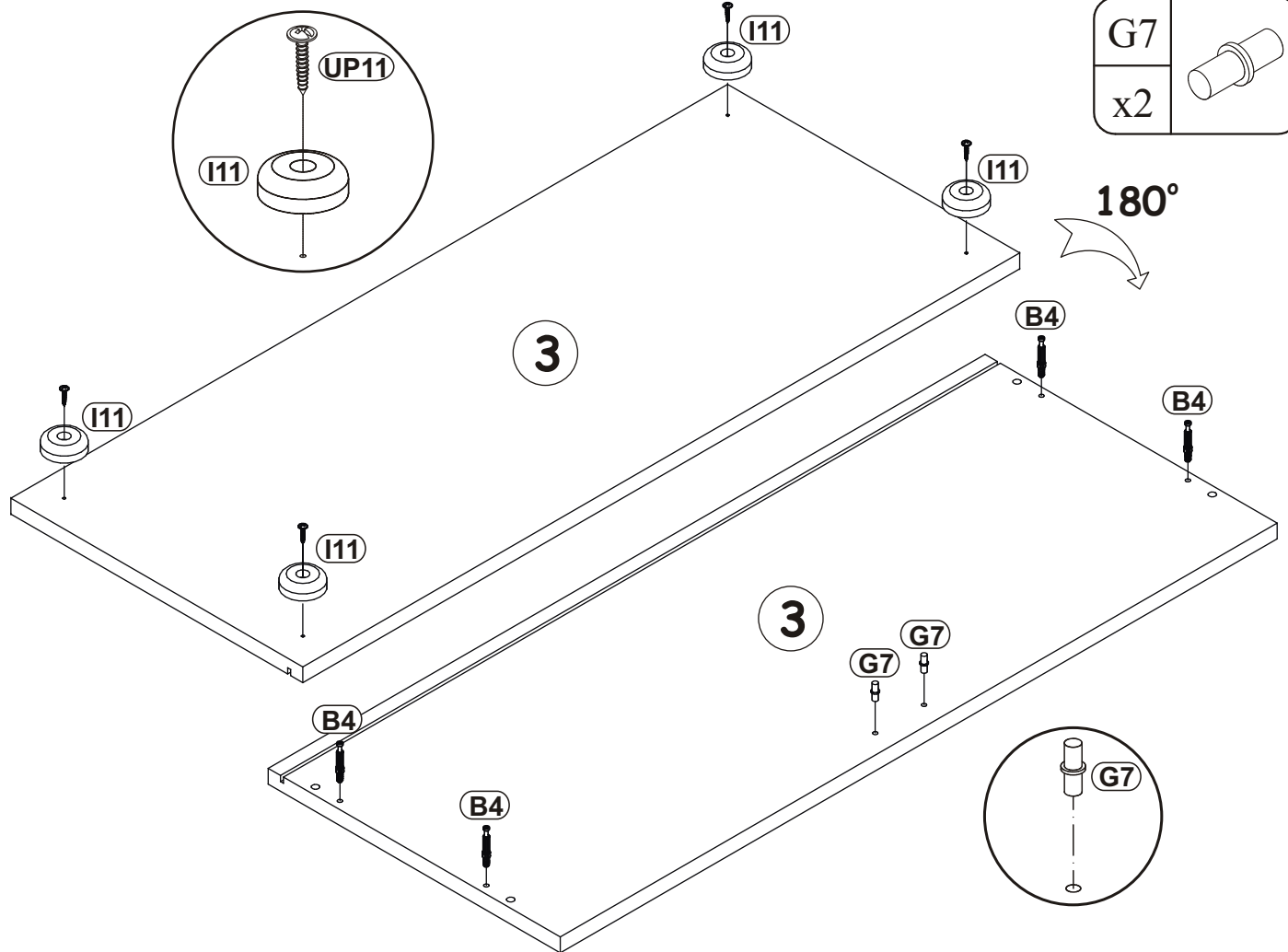
A1 x4		B4 x12		B5 x4	
H6 x1		D27 x4		G7 x4	
E4 x4					H=2



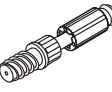
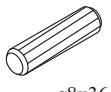
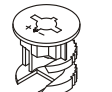
2

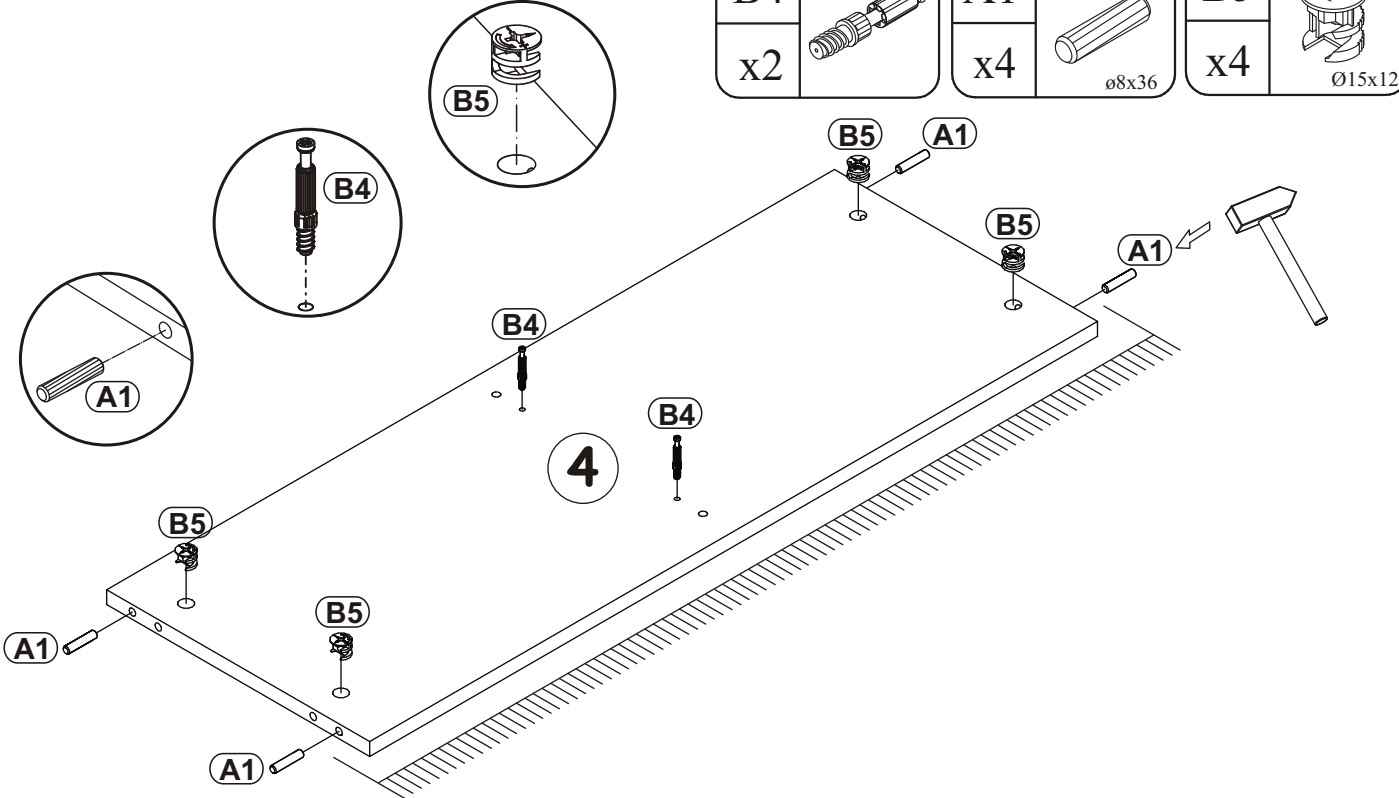
I11		UP11		B4	
x4	Ø45, h=15	x4	UPØ4x20	x4	

G7	
x2	

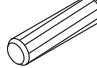
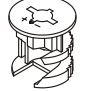
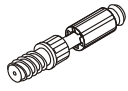


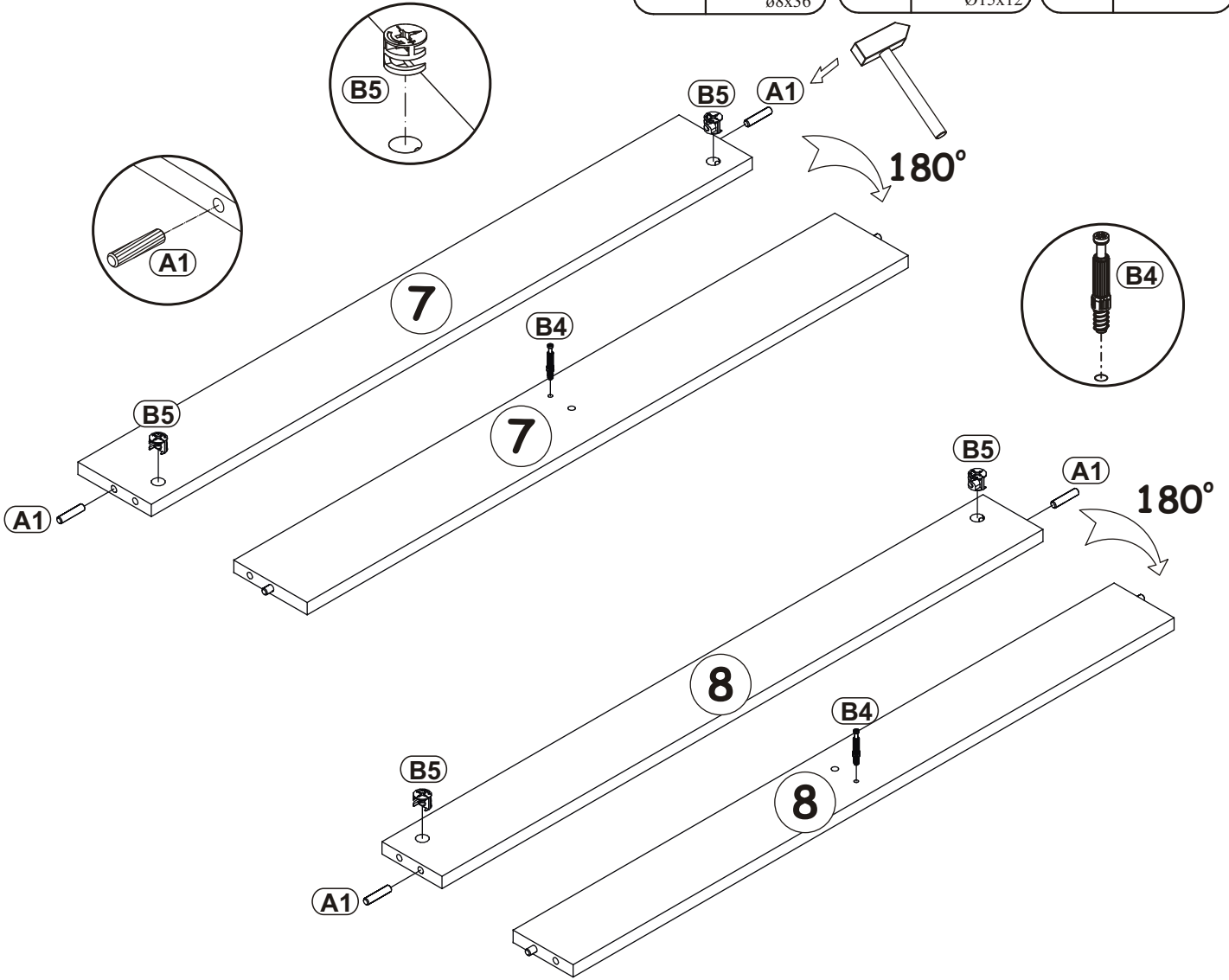
3

B4		A1		B5	
x2		x4	ø8x36	x4	Ø15x12

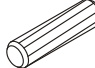



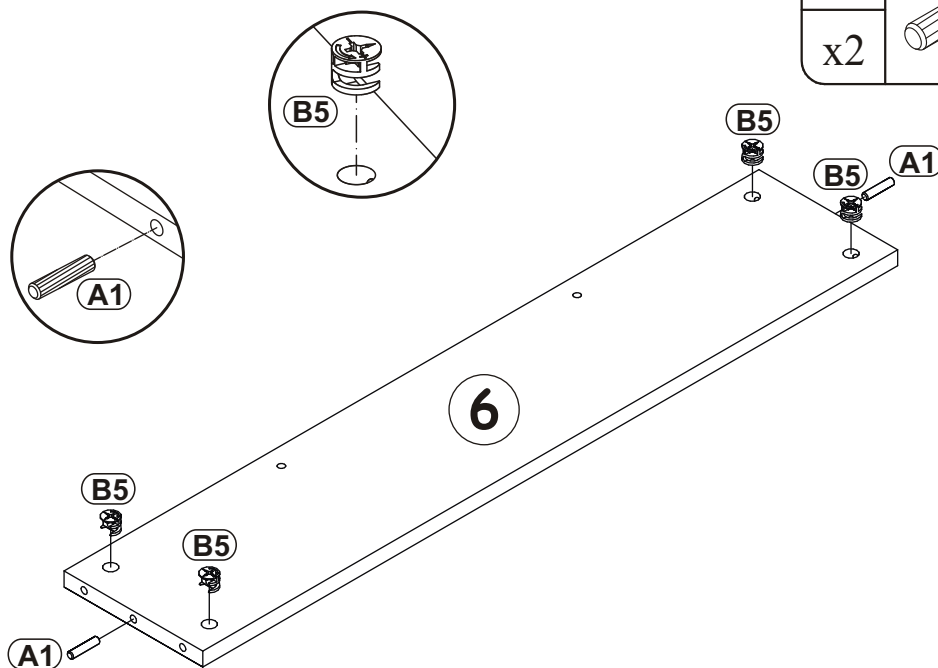
4

A1		B5		B4	
x4	ø8x36	x4	Ø15x12	x2	

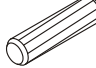



5


A1		B5	
x2	ø8x36	x4	Ø15x12




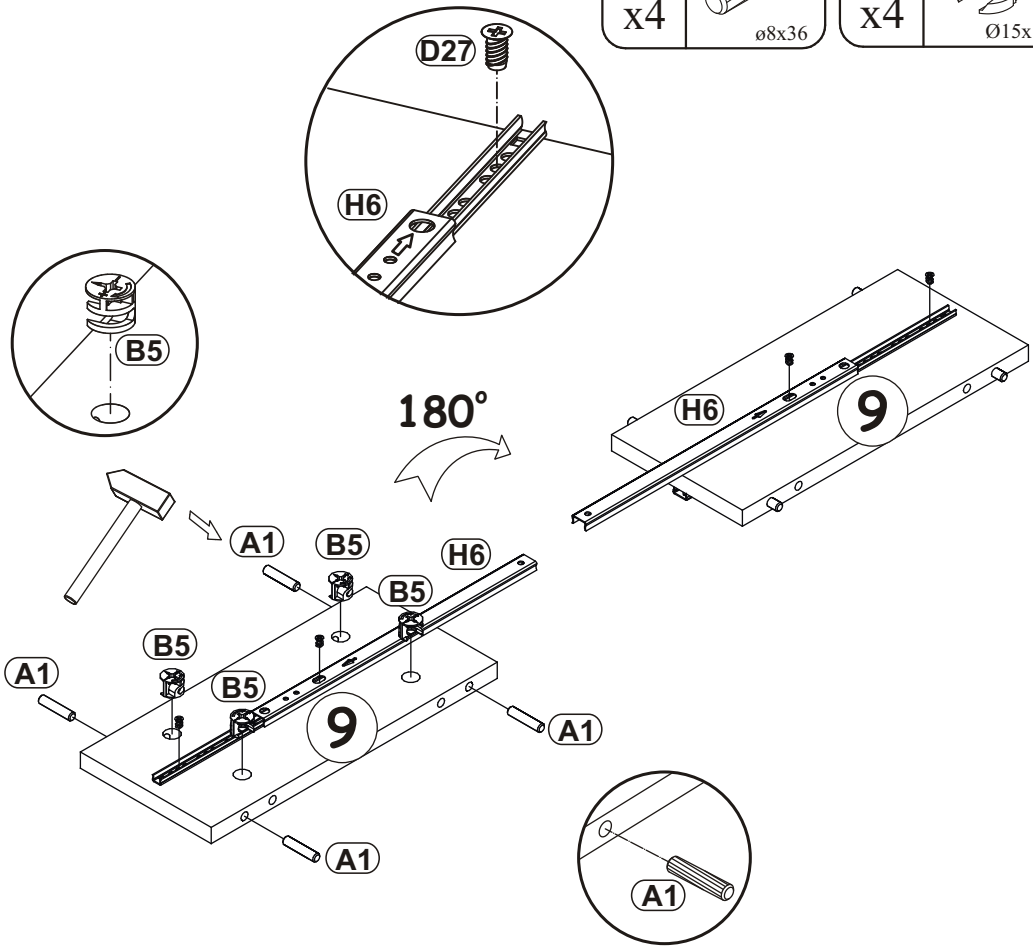
6

A1	
x4	ø8x36

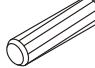
B5	
x4	Ø15x12

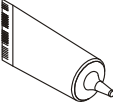
H6	
x1	L-310mm

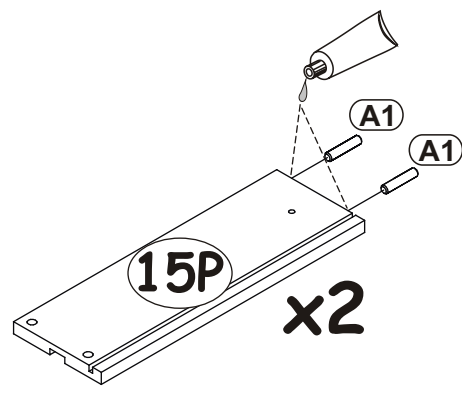
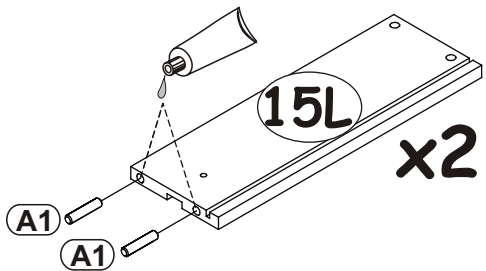
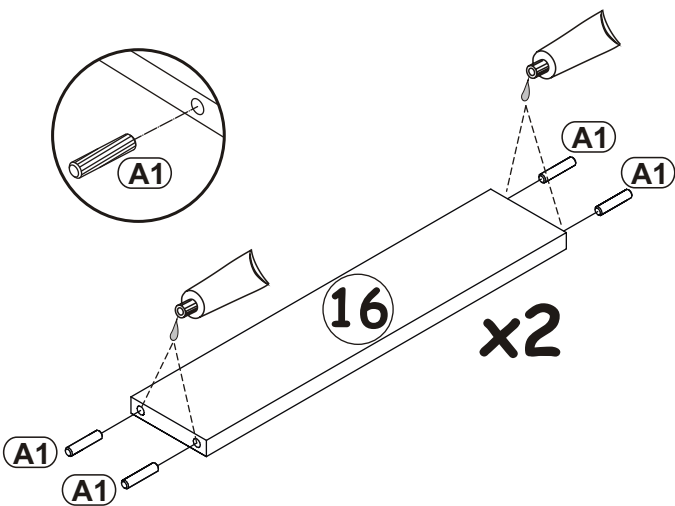
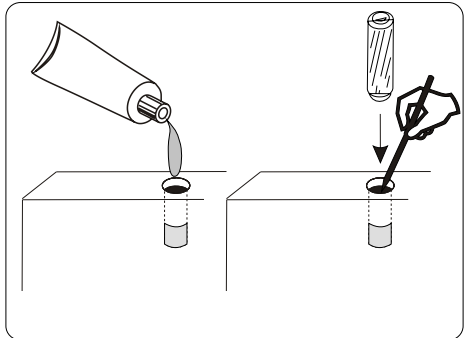
D27	
x4	ESØ6x8

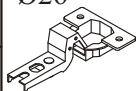
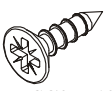


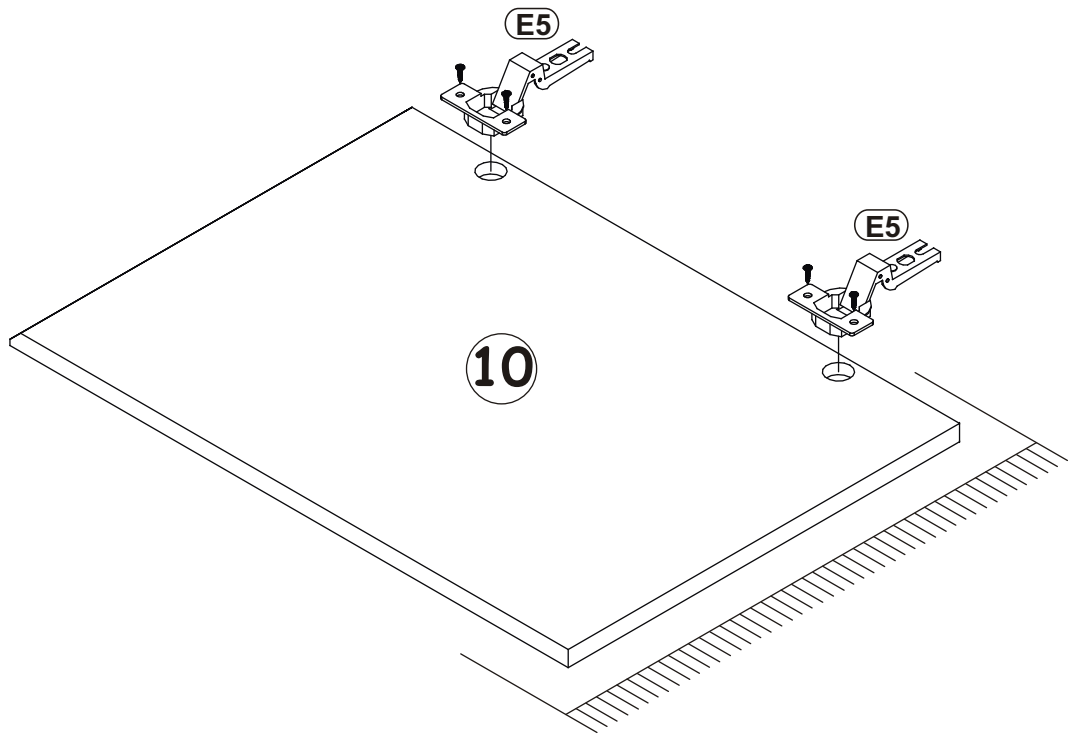
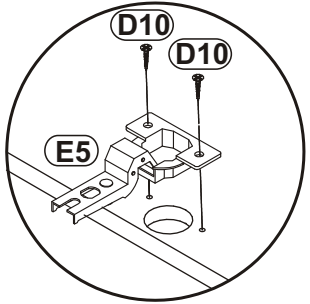
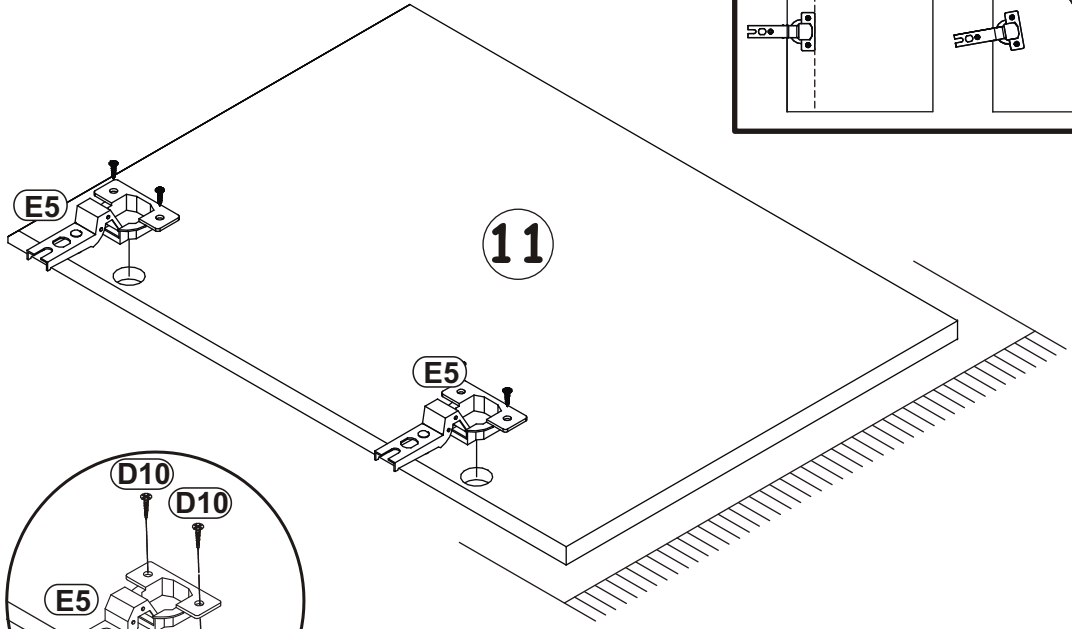
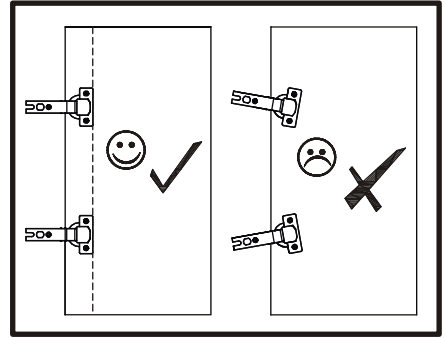
7

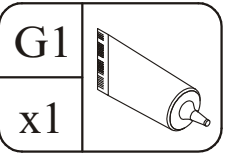
A1	
x16	ø8x36

G1	
x1	

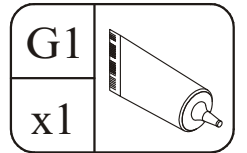
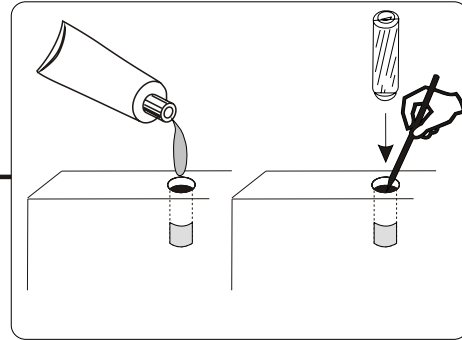
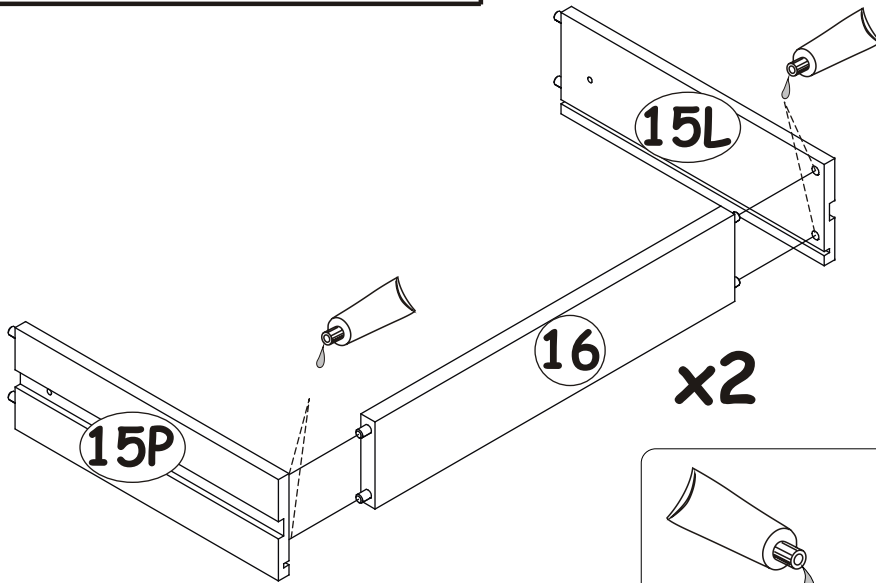


E5	Ø26  H=16	D10	 USØ3,5x13
x4		x8	

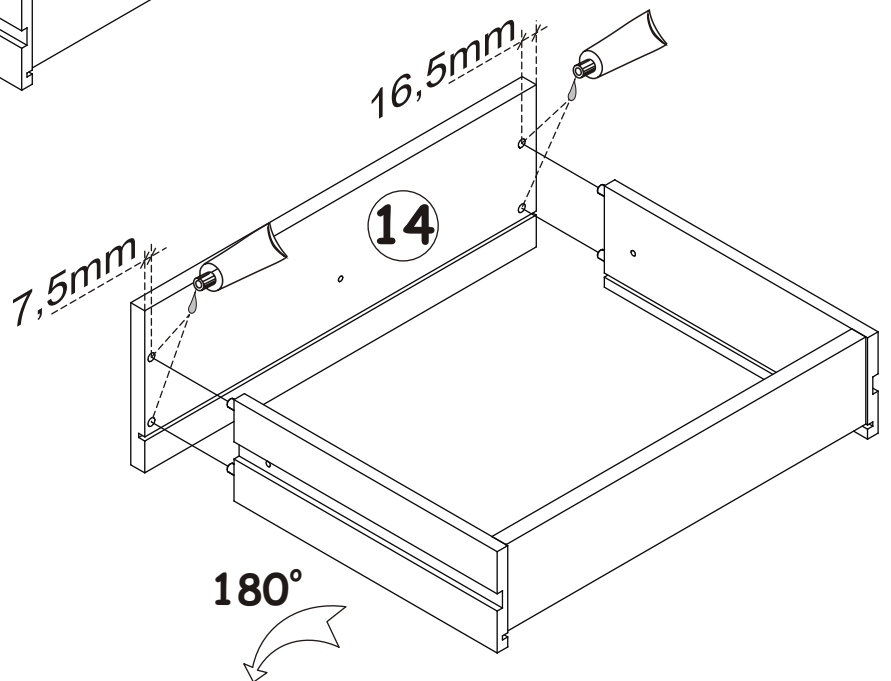
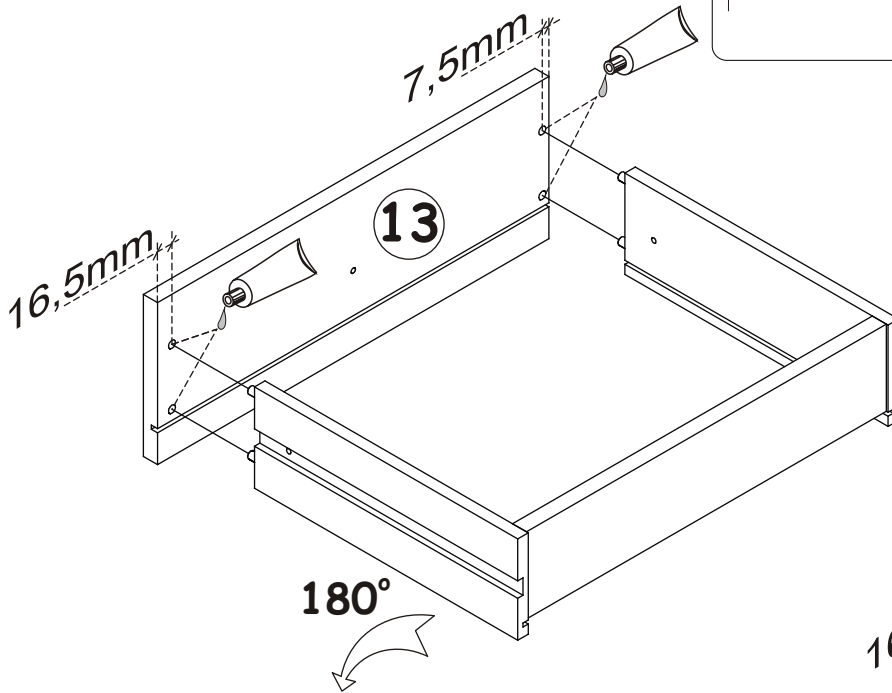




9

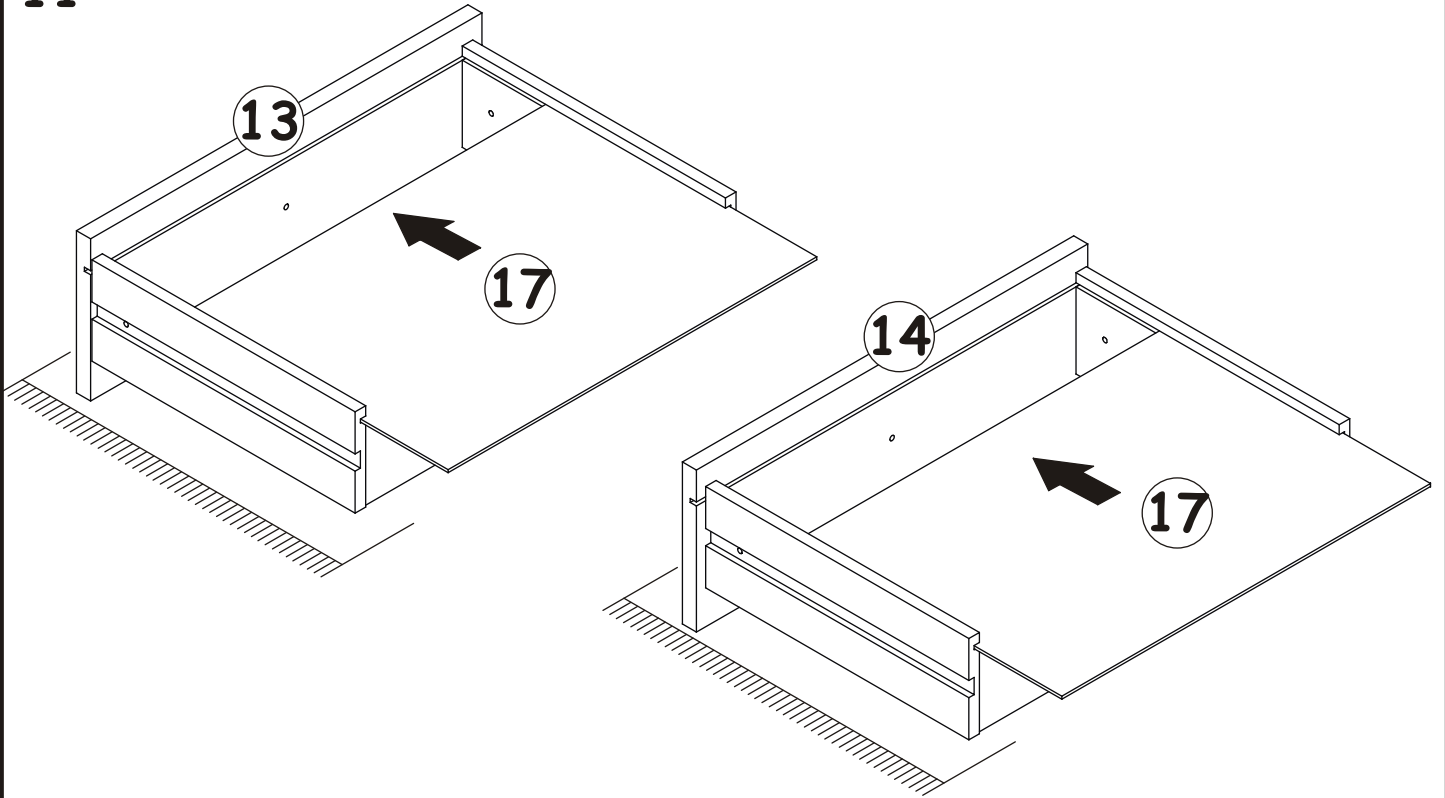


10

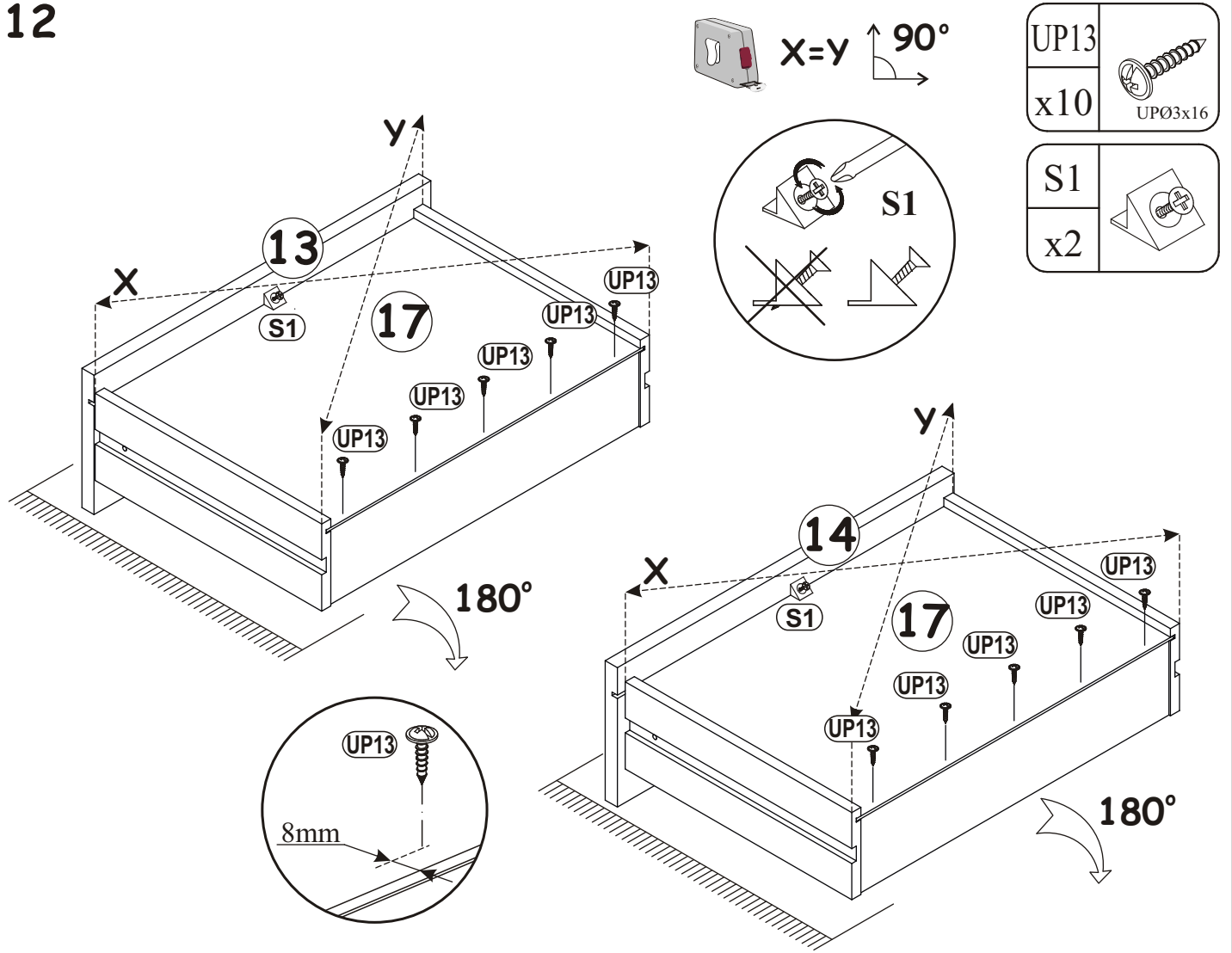



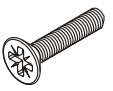


11

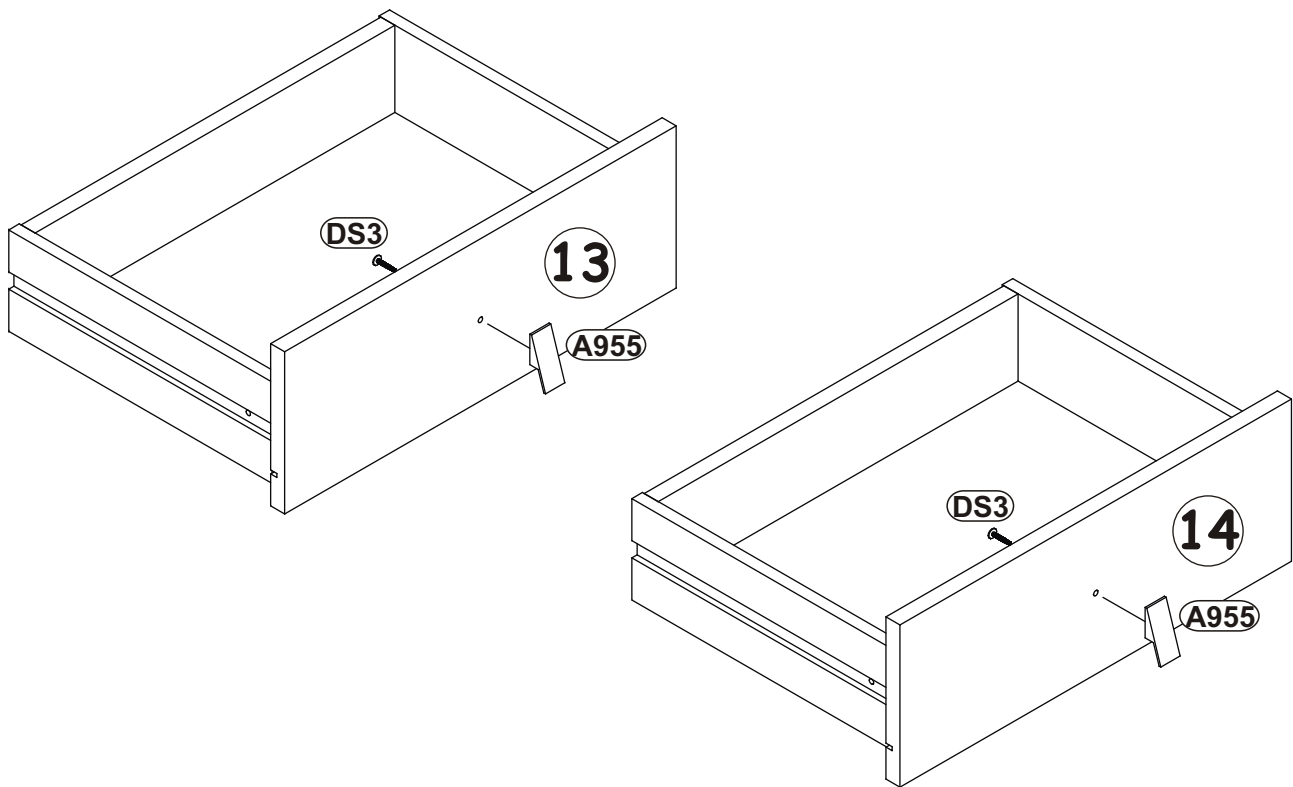


12




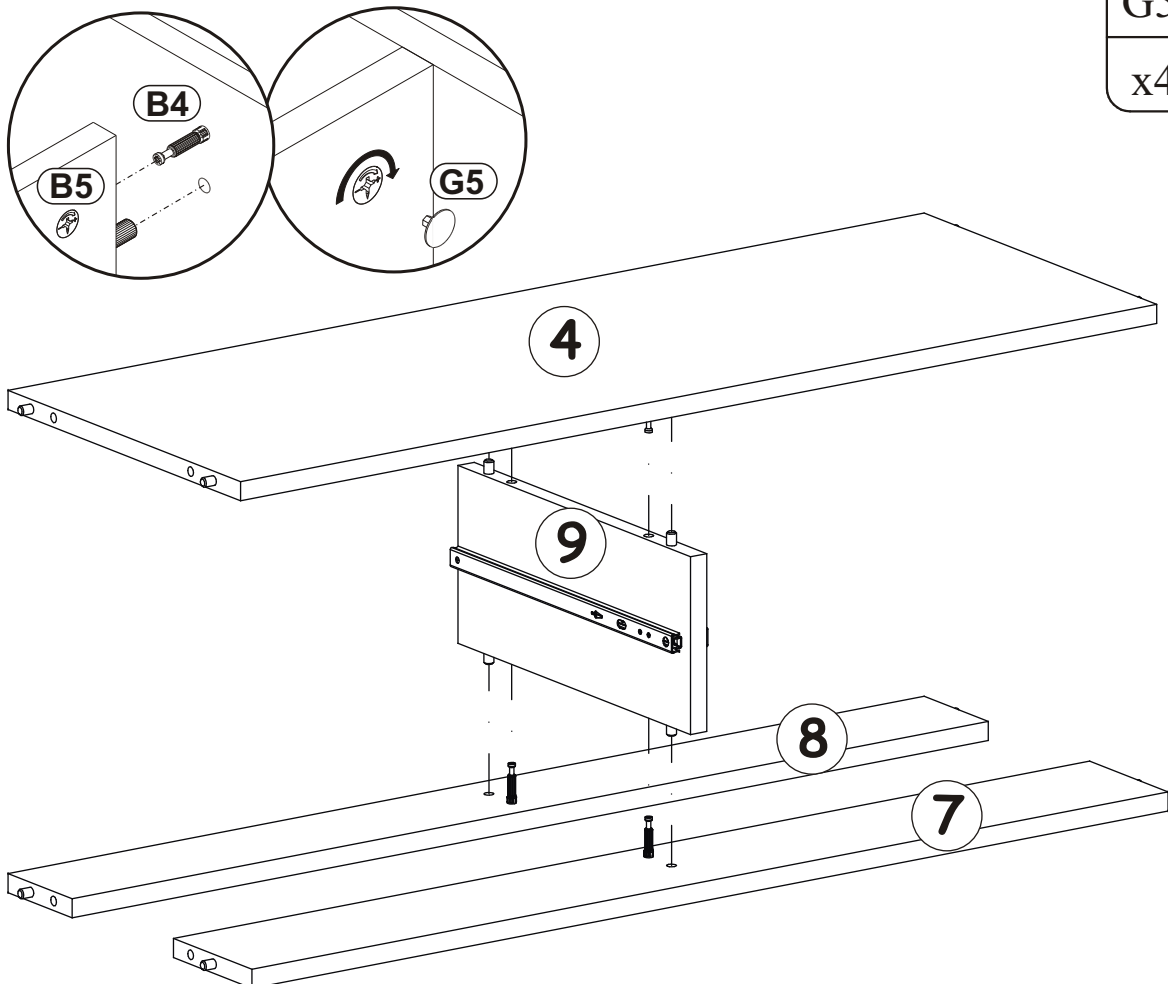
A955		DS3	
x2		x2	WSM4x20



13



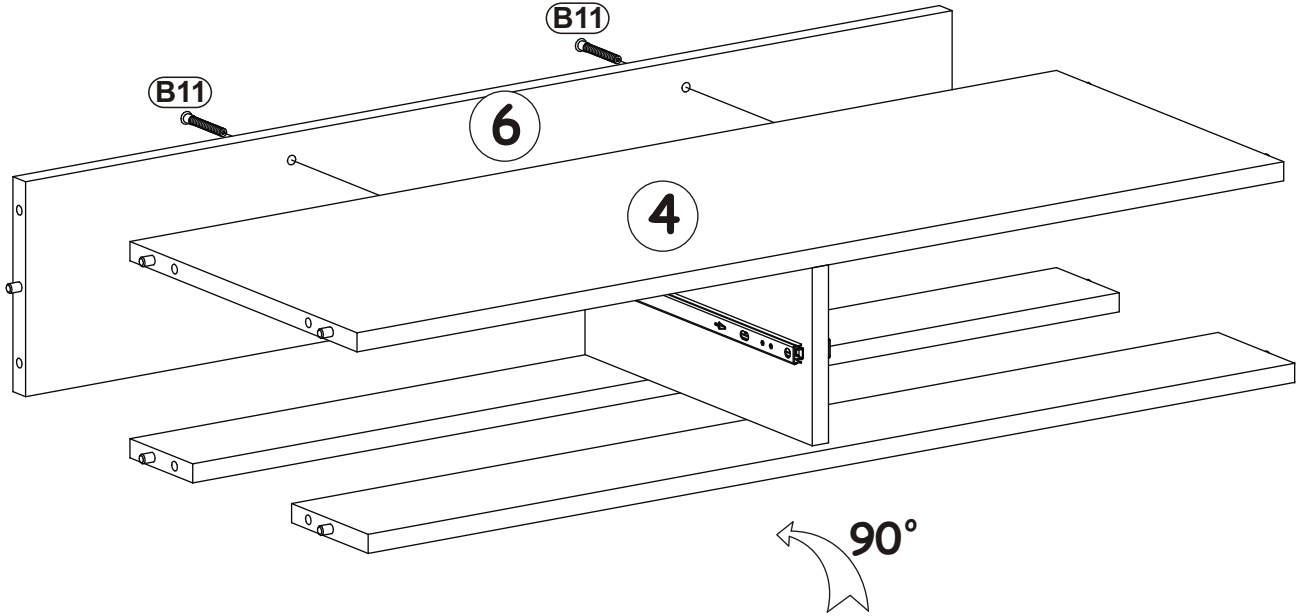
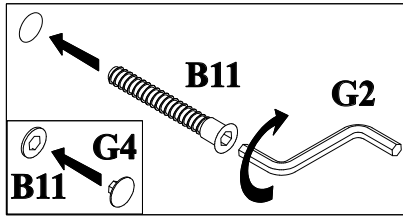
14

G5	
x4	




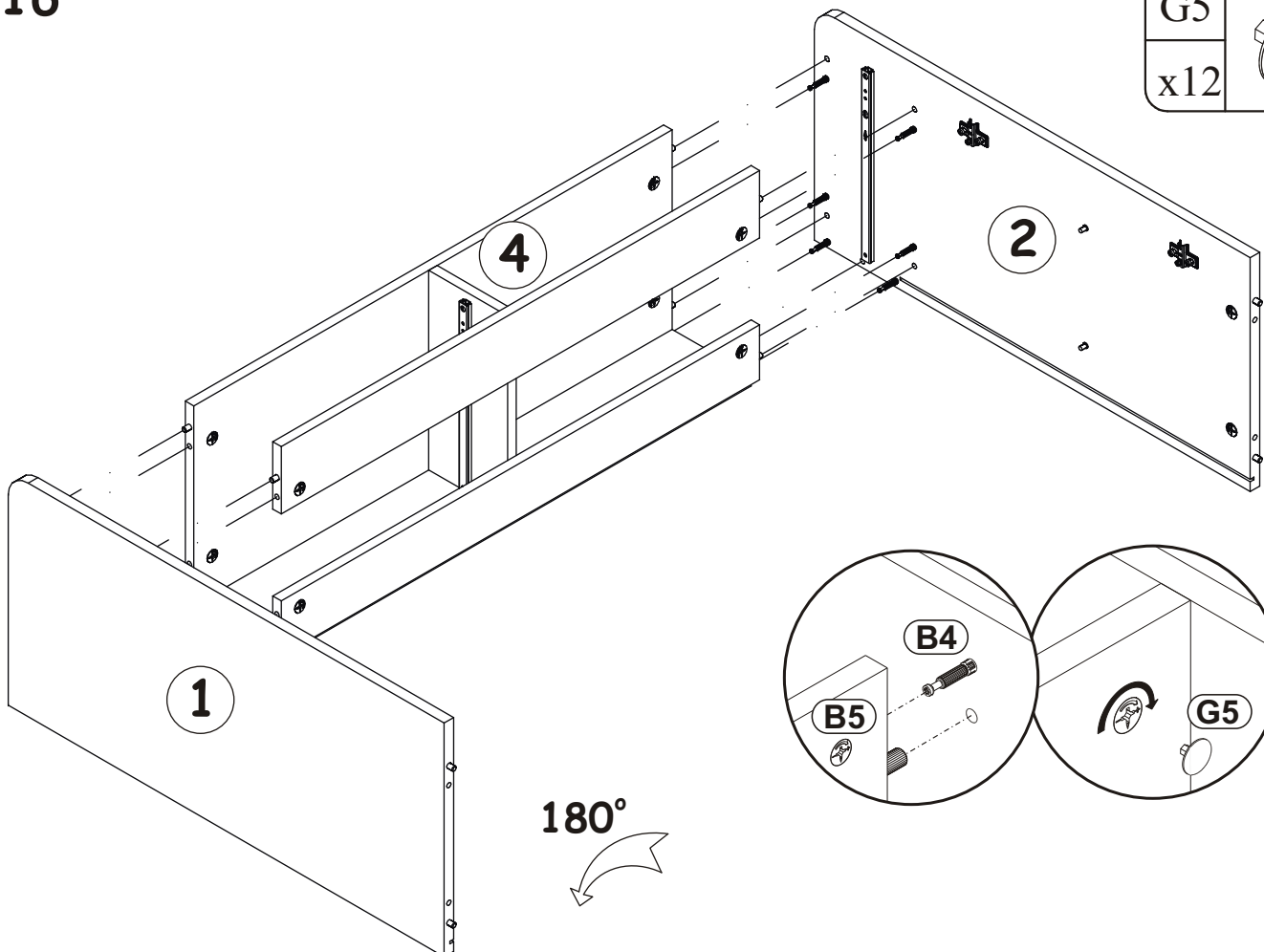
B11		G4	
x2	Ø7x50	x2	

15

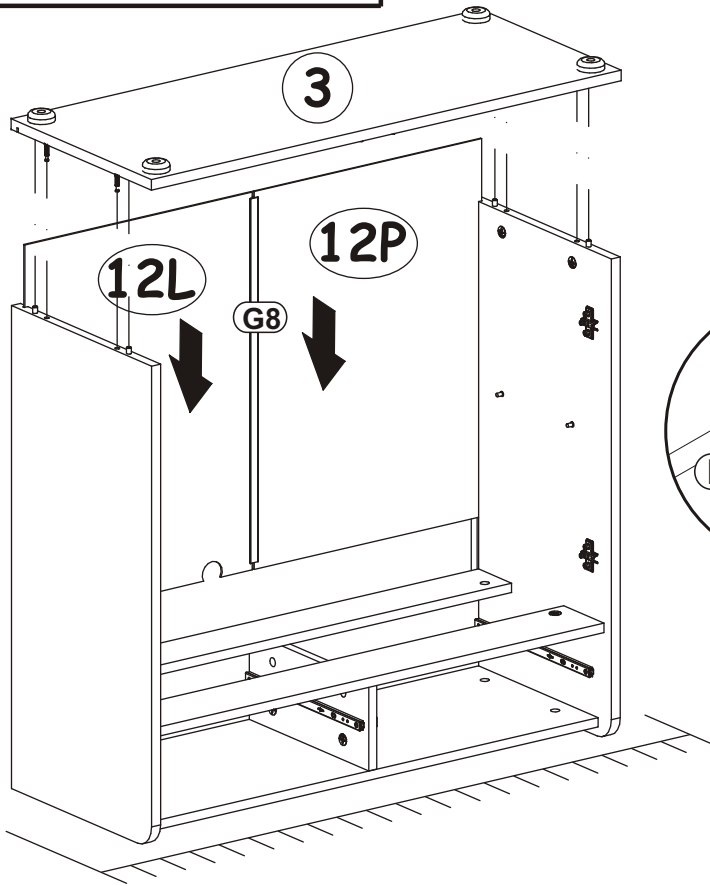


16

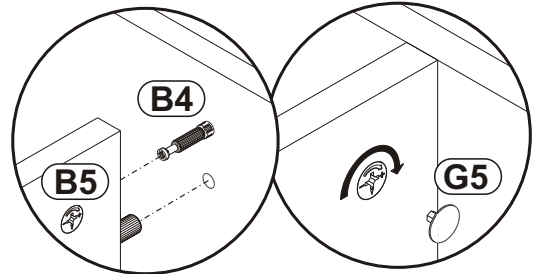
G5	
x12	



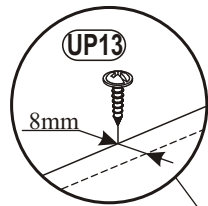
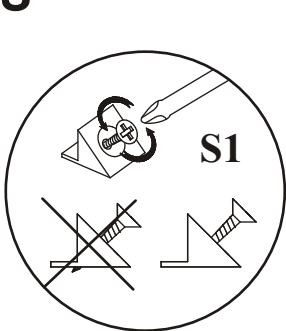
17



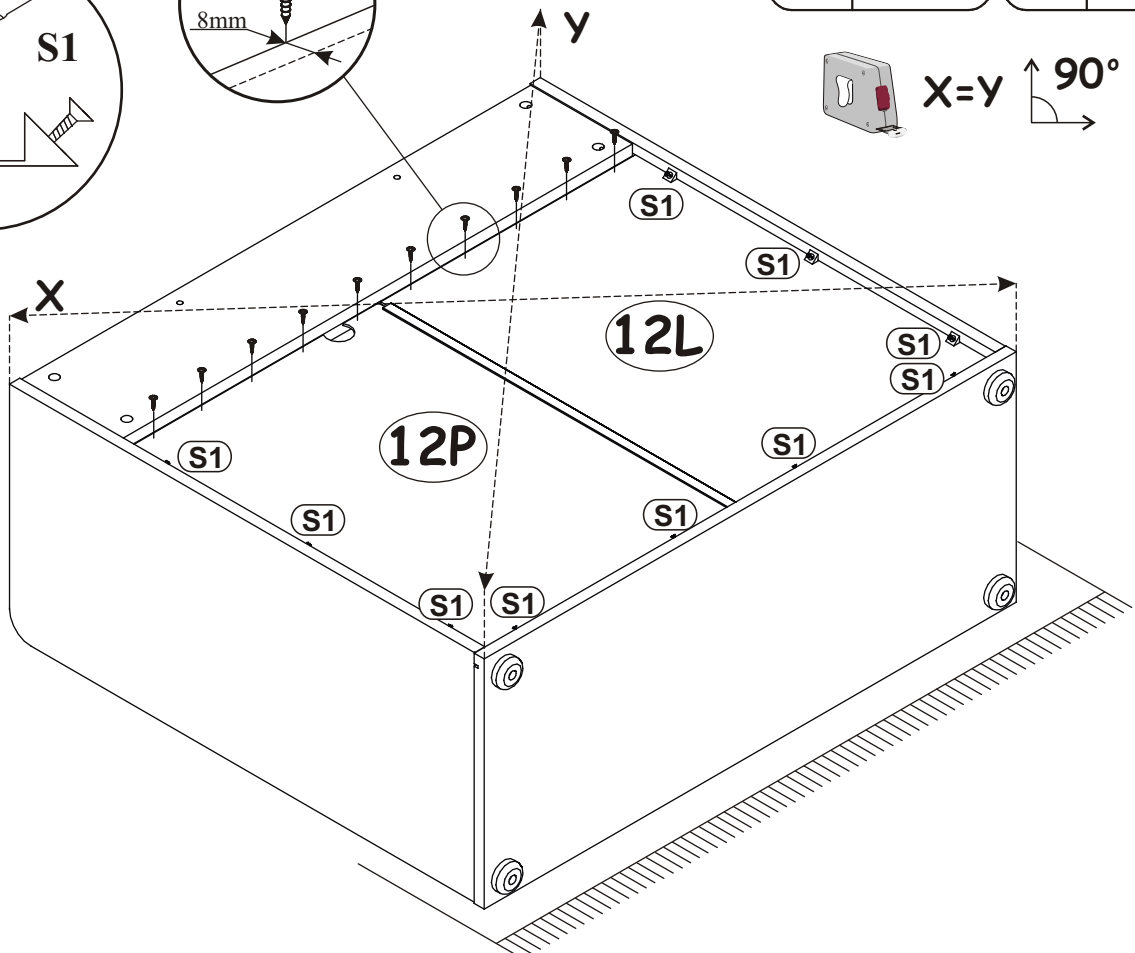
G8		G5	
x1		x4	

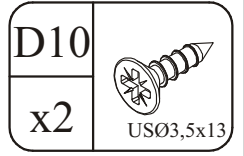
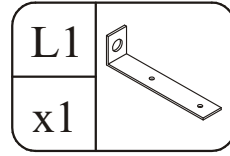
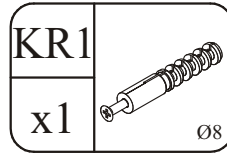


18

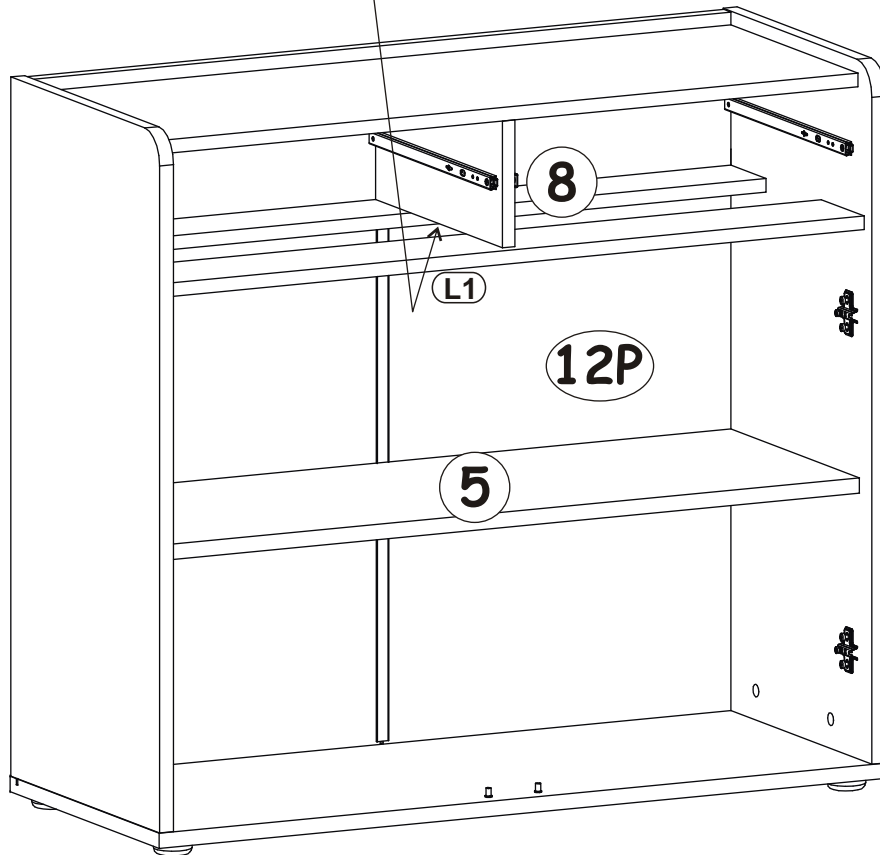
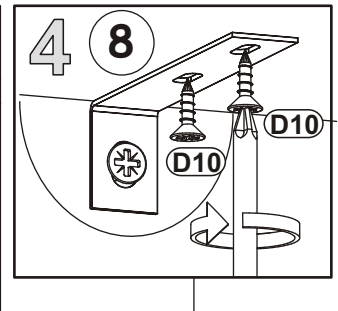
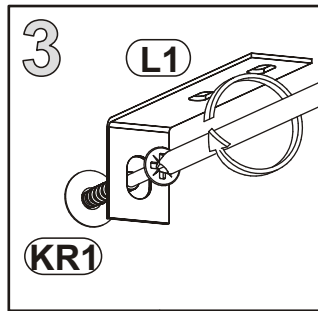
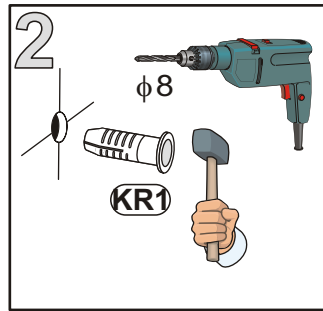
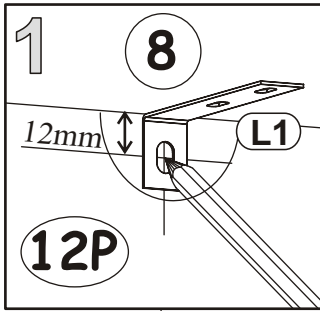
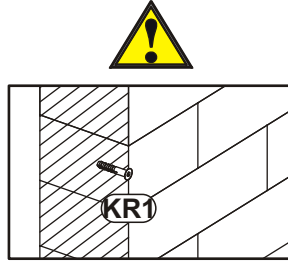
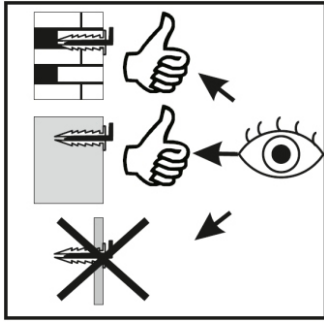



S1		UP13	
x10		x10	UPØ3x16





19



D18	
x4	M4x9

