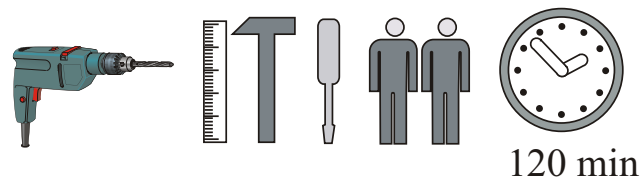
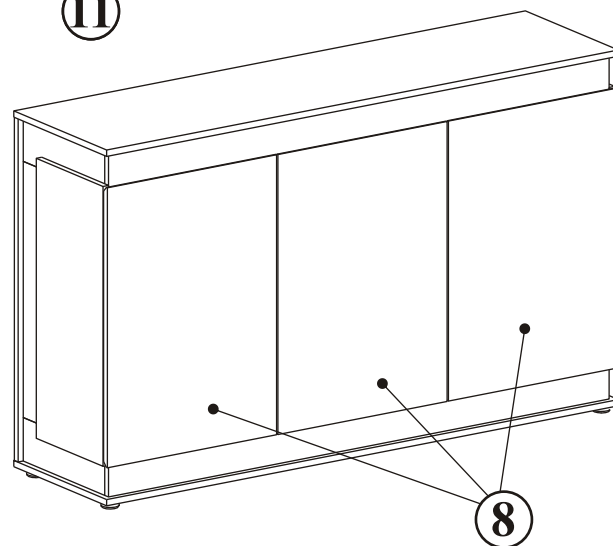
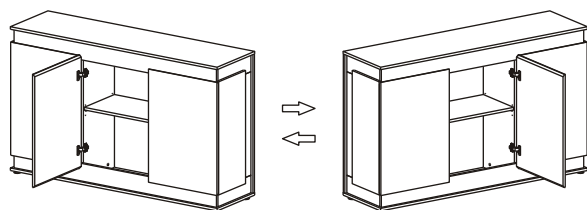
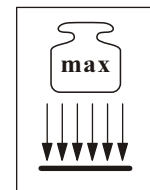
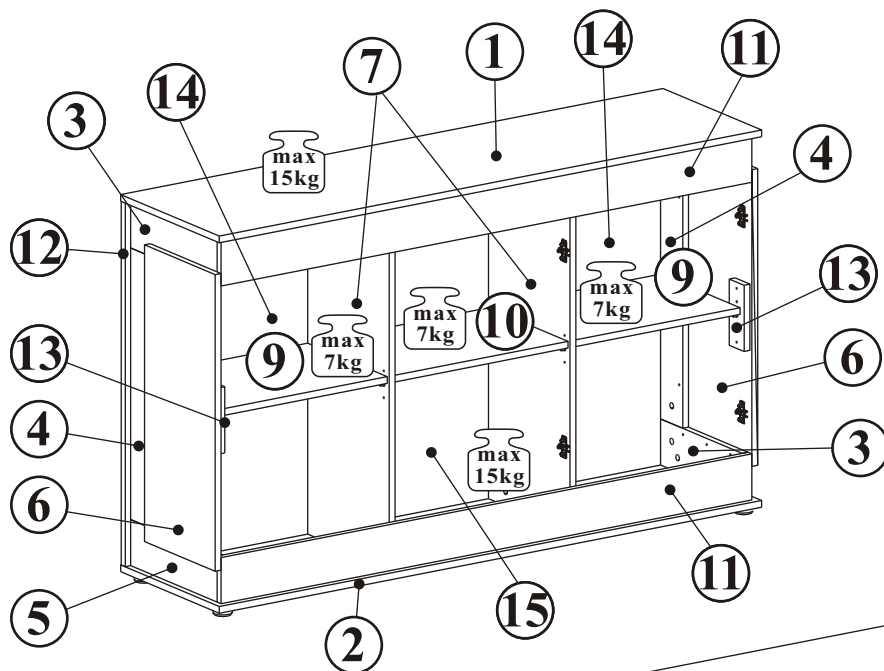


BERLIN 20 _BL SB



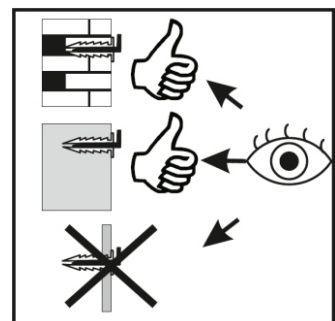
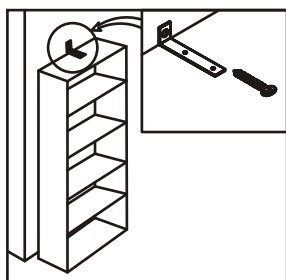
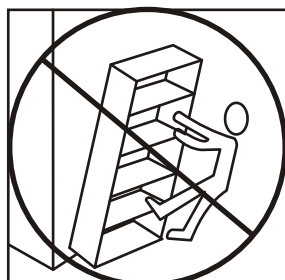
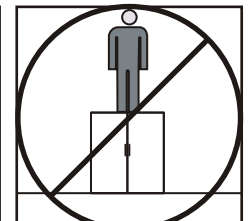
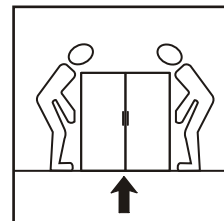
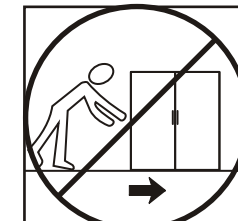
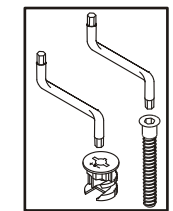
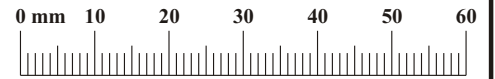
120 min

NO	Dim.			Col-No	Qty
3	110	351	16	1	2
5	110	351	16	1	2
6	708	287	16	1	2
7	868	331	16	1	2
8	708	496	16	1	3
12	868	60	16	1	2
13	158	60	16	1	2
14	880	474	3	1	2
15	880	500	3	1	1

NO	Dim.			Col-No	Qty
1	1500	400	16	2	1
2	1500	400	16	2	1
4	648	110	16	2	2
9	460	323	16	2	2
10	484	323	16	2	1
11	1468	110	16	2	2

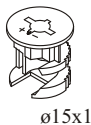
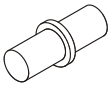
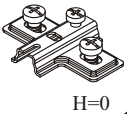
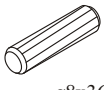
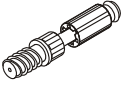
BERLIN 20_BL SB

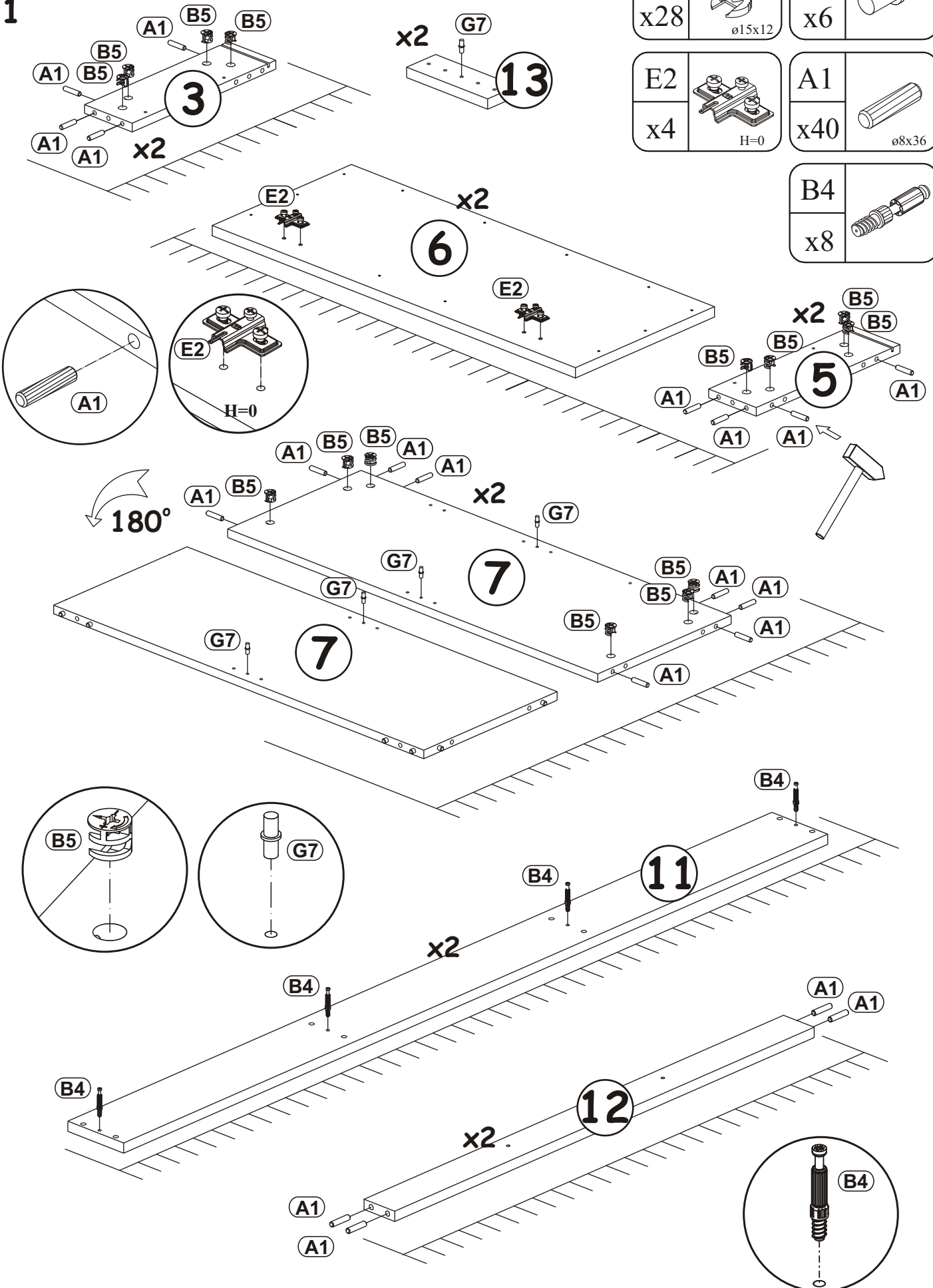
A1 x40 ø8x36	B4 x24	B5 x32 ø15x12	G5 x32	B6 x4 Ø7x76	G7 x12
L1 x2	KR1 x2	UP13 x12 UPØ3x16	E21 x4 Ø35 H=0	E2 x6 H=0	G16 x12
D10 x16 USØ3,5x13	UP11 x6 UPØ4x20	I11 x6 Ø45, h=15	S1 x16	UP6 x24 UPØ4x30	G2 x1
A6 x8 Ø8x80	E23 x2 Ø35 H=8	Z2 x4 Ø5	UP12 x4 UPØ3,5x30		

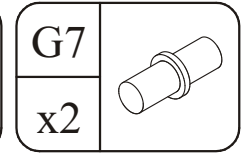
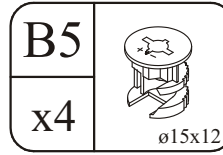
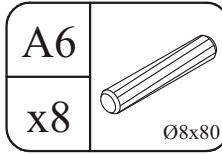


BERLIN 20_BL SB

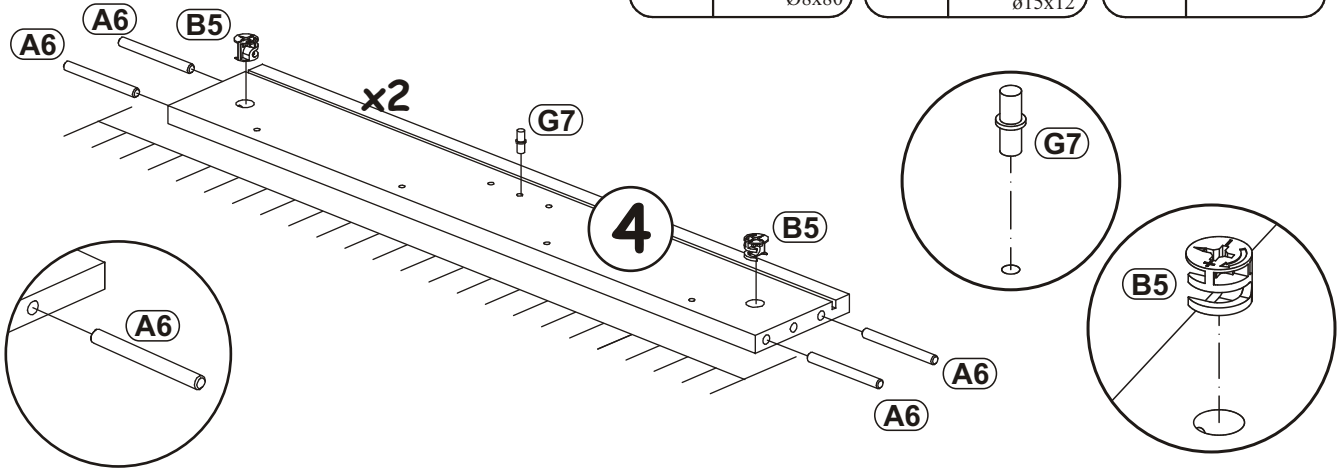
1

B5 x28	 ø15x12	G7 x6	
E2 x4	 H=0	A1 x40	 ø8x36
B4 x8			

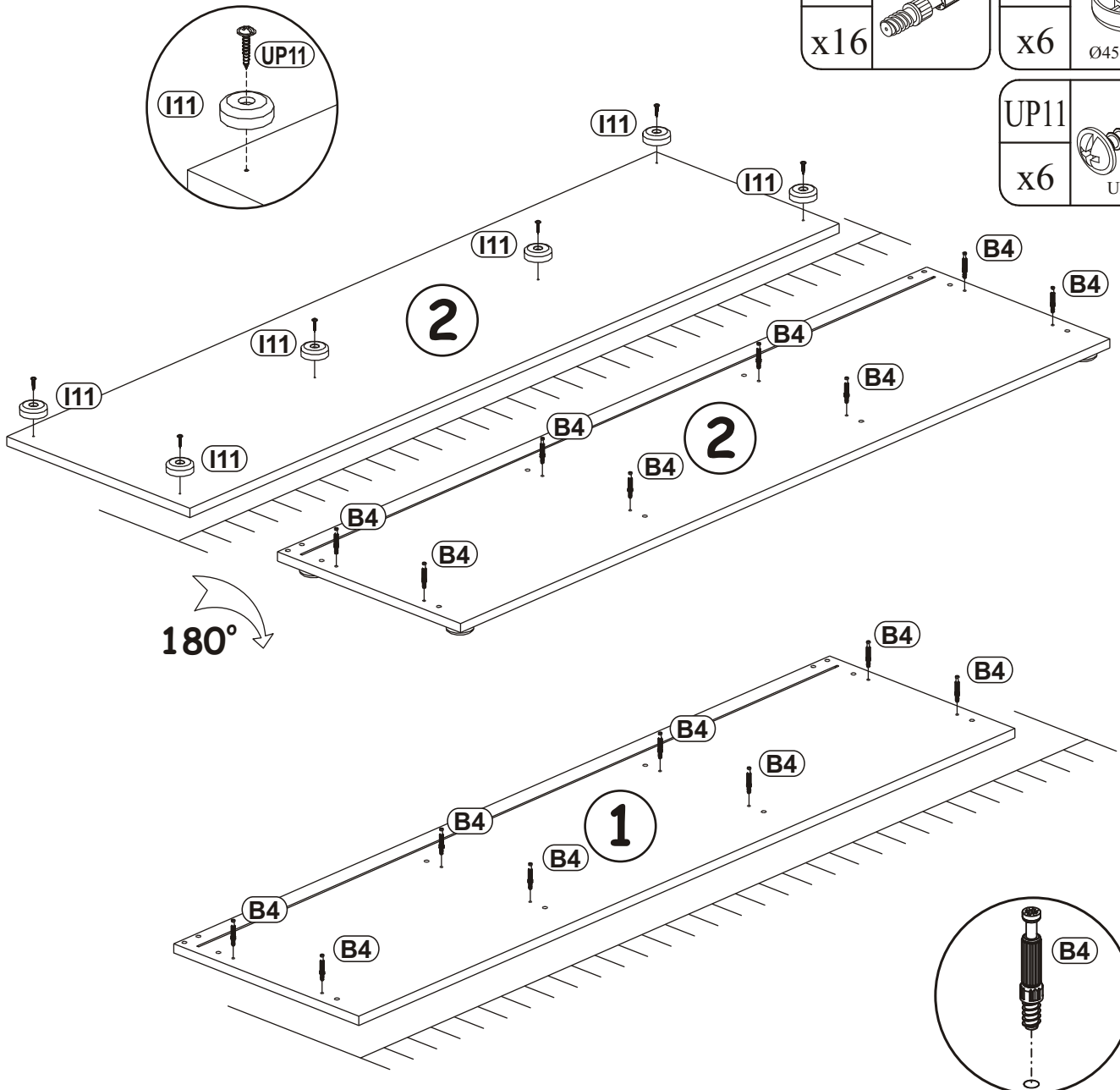
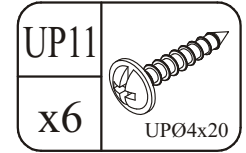
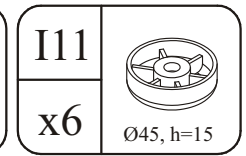
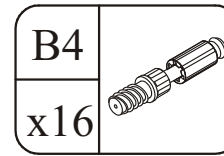




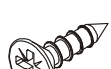
2

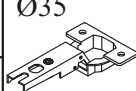


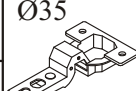
3

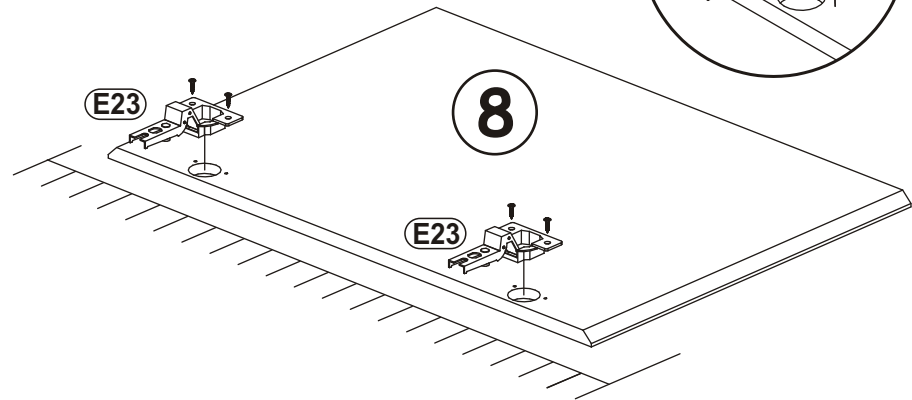
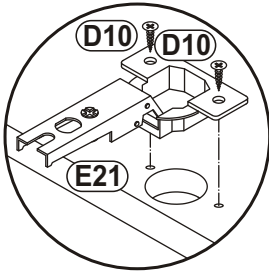
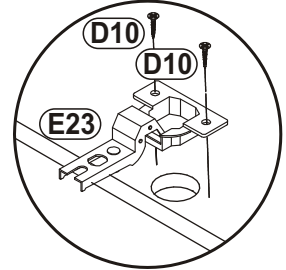
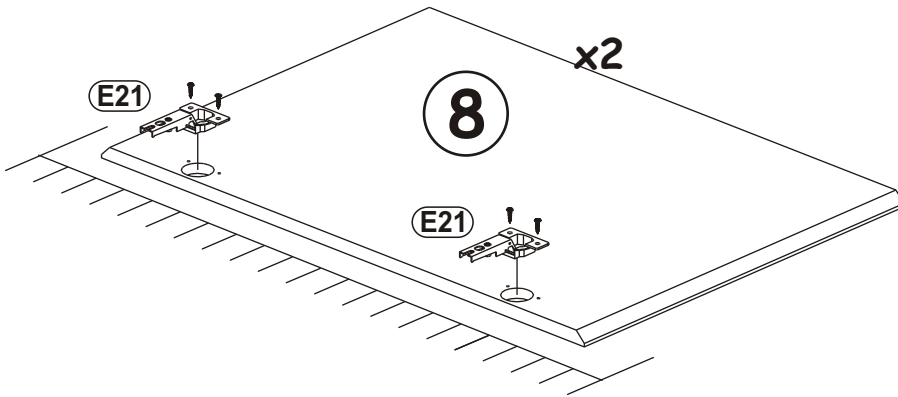


4


D10	
x12	USØ3,5x13


E21	Ø35
x4	 H=0

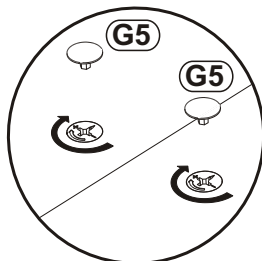
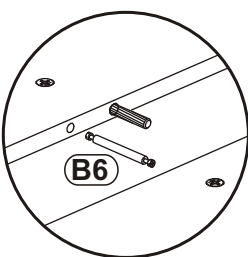
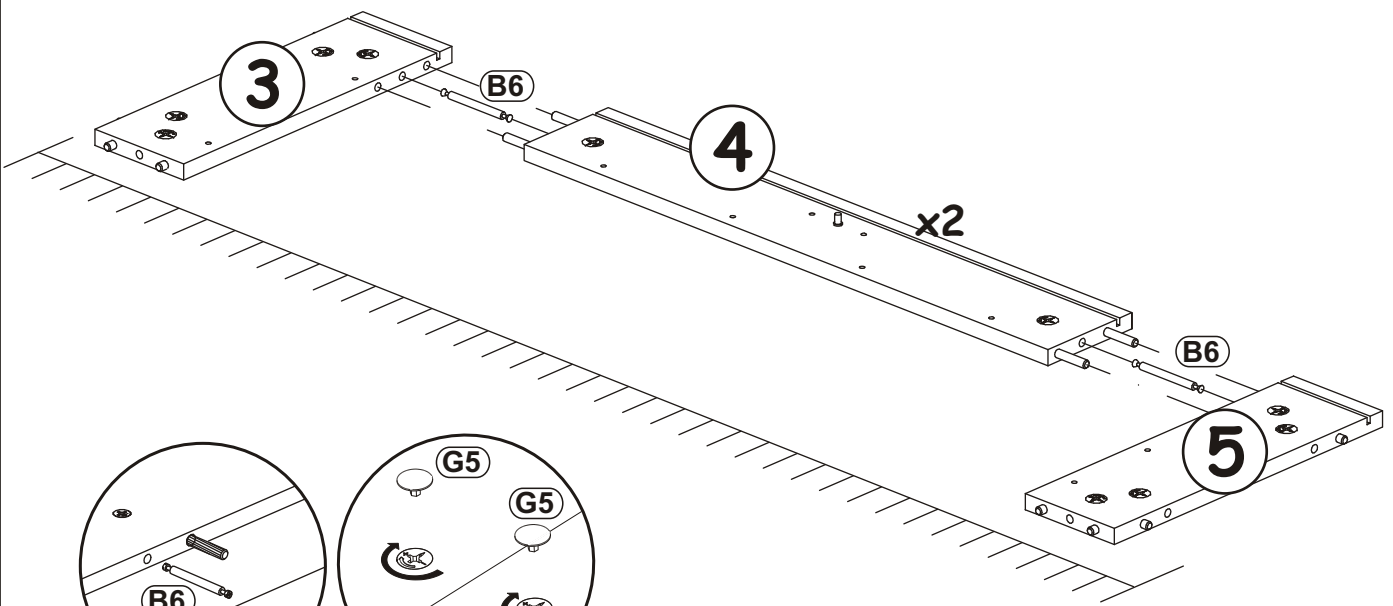
E23	Ø35
x2	 H=8



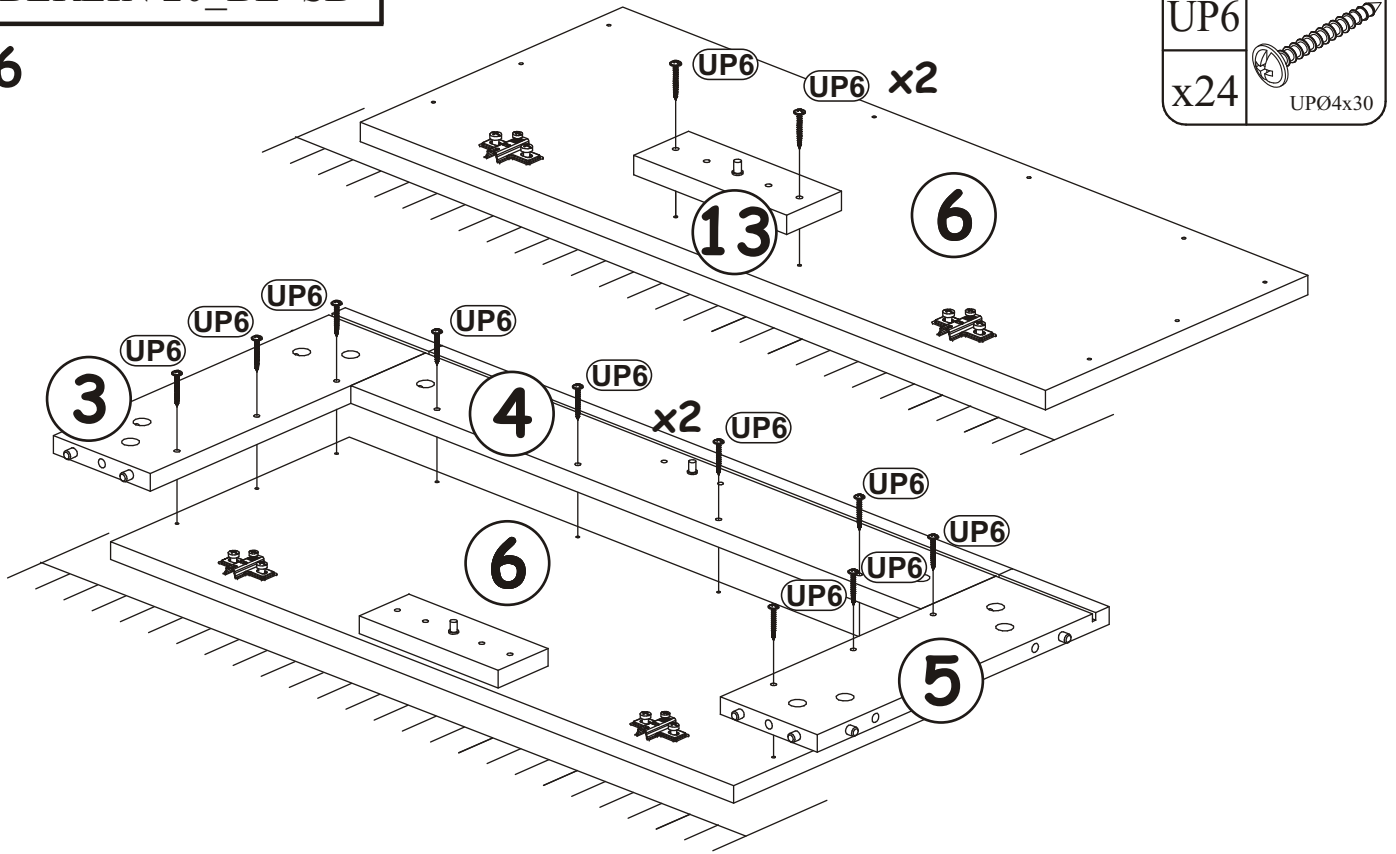
5

B6	
x4	Ø7x76

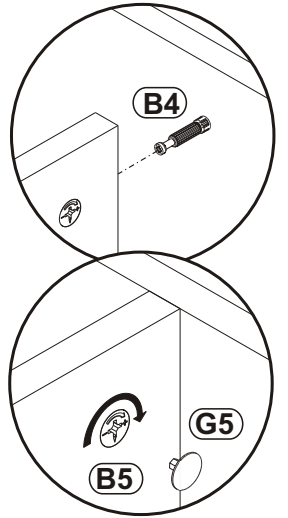
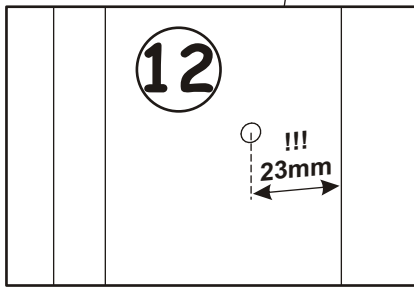
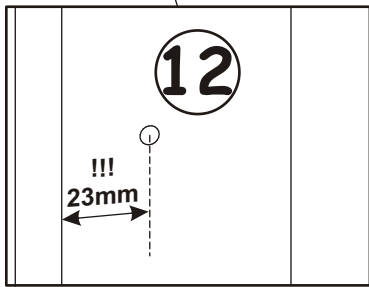
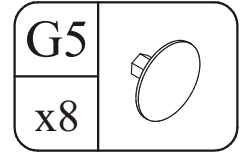
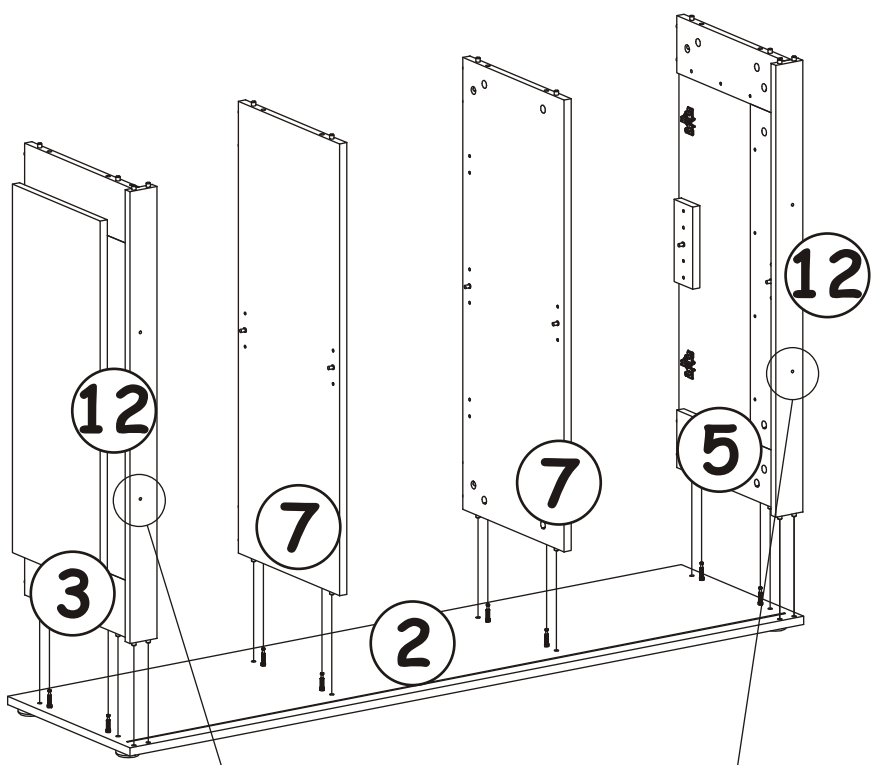
G5	
x8	



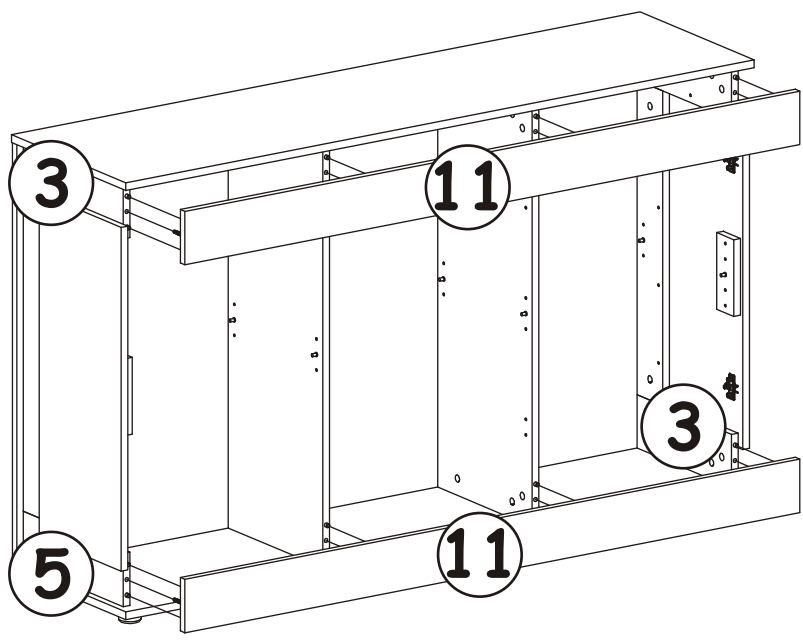
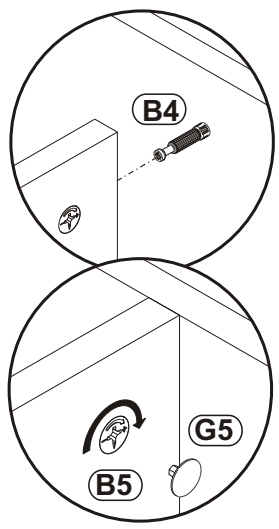
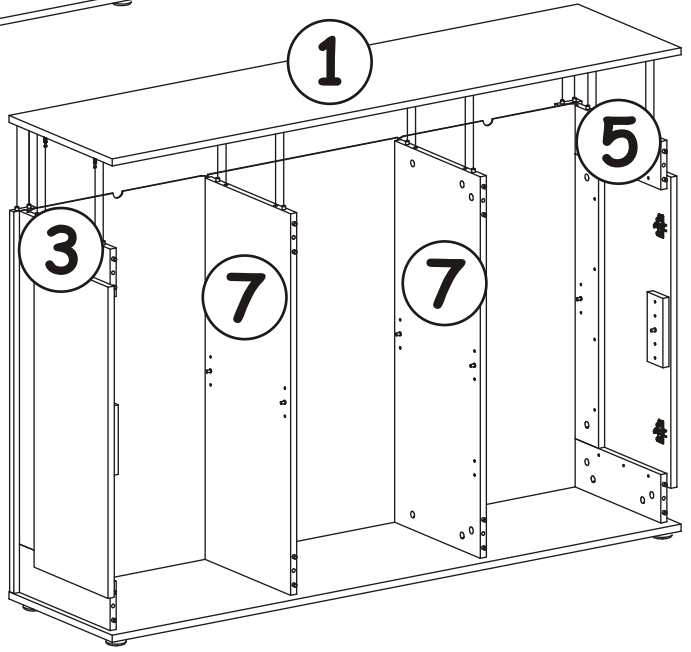
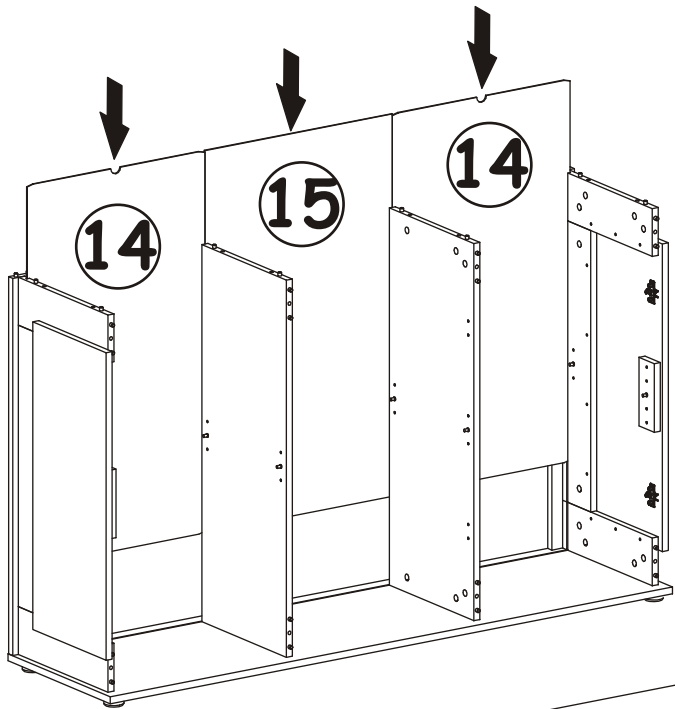
6



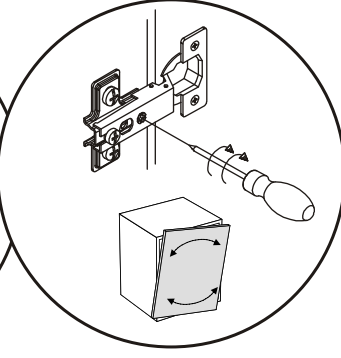
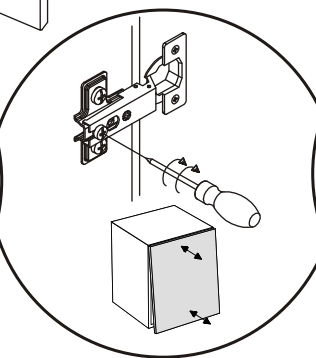
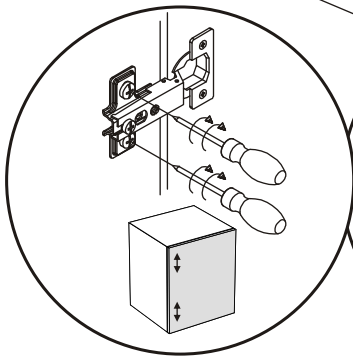
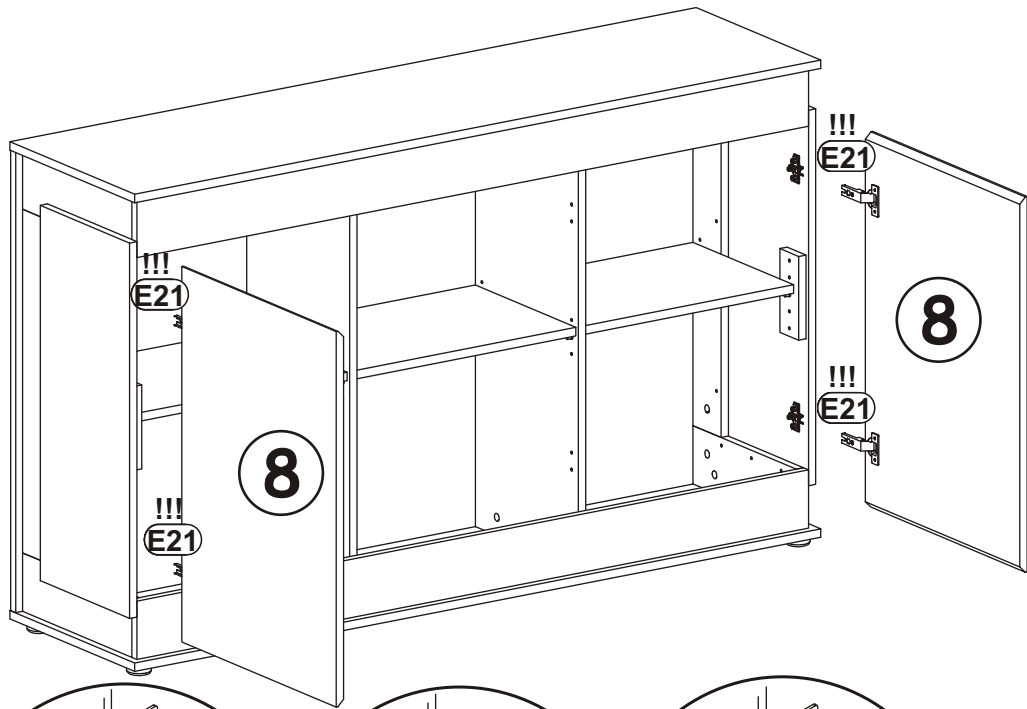
7



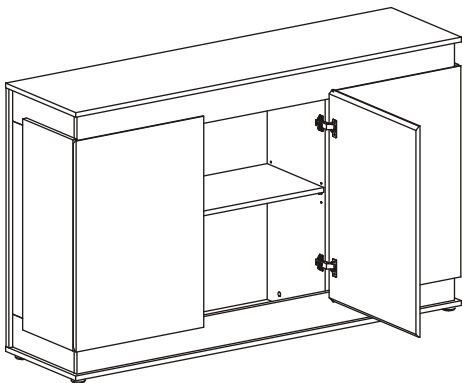
8



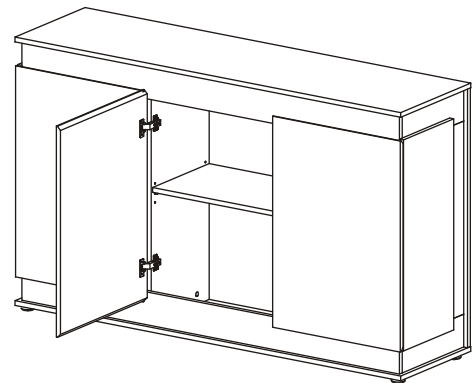
11



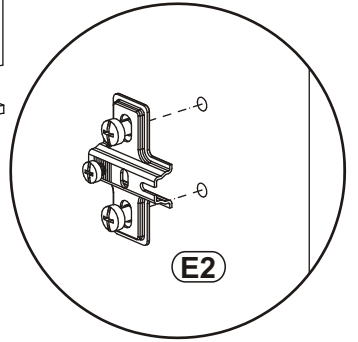
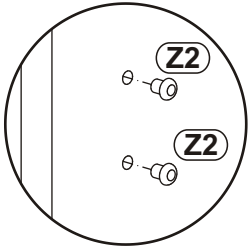
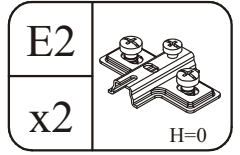
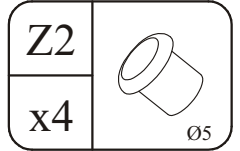
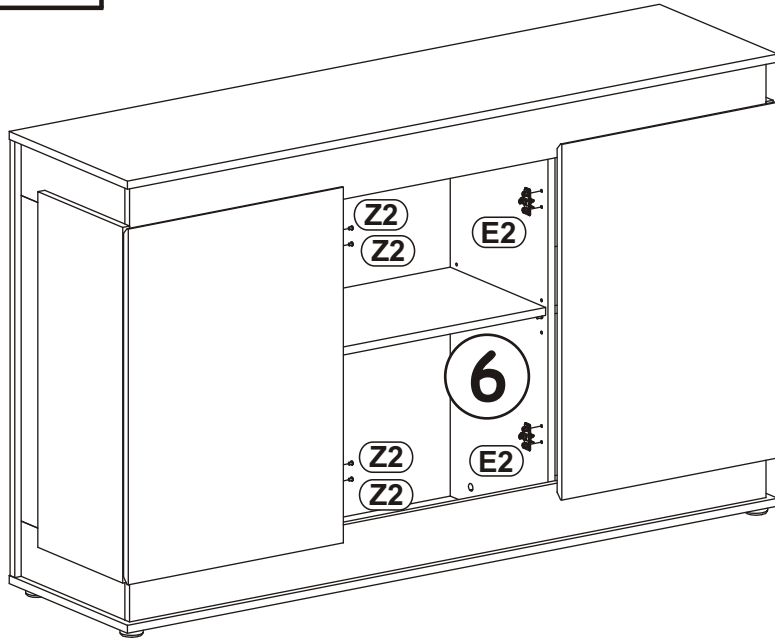
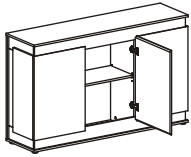
12 - 13



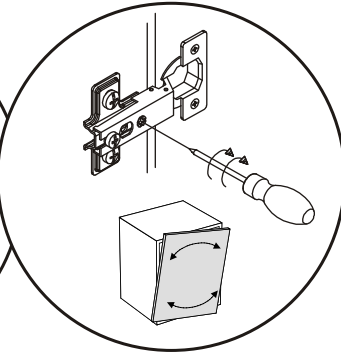
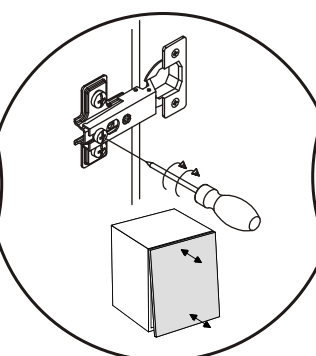
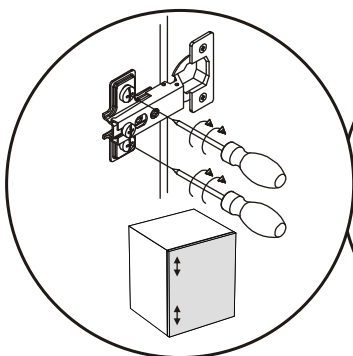
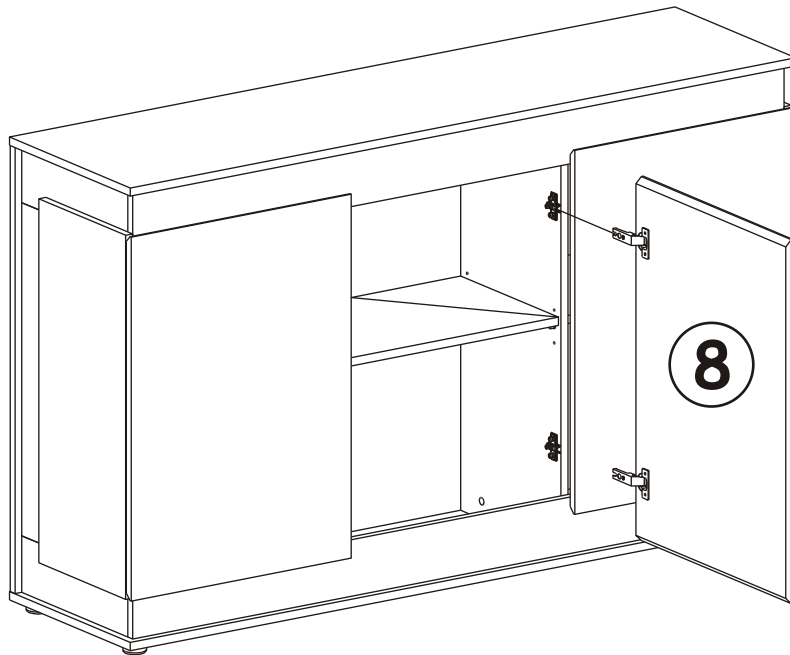
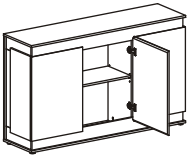
14 - 15



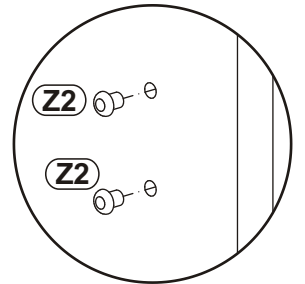
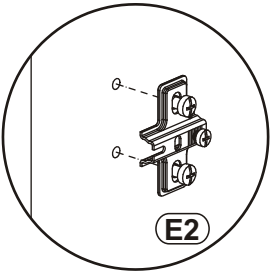
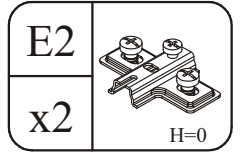
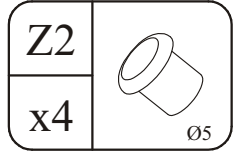
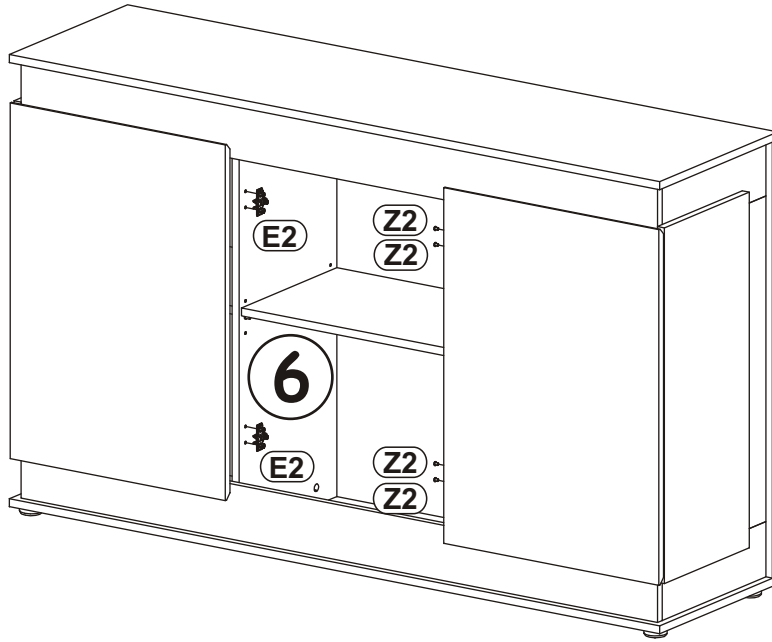
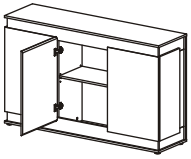
12



13



14



15

