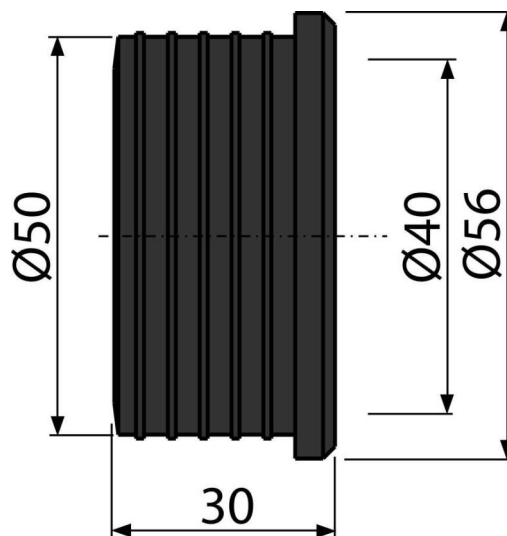


# S0156-ND

Wrapping seal 50/40



### Application

To adjust the diameter of the pipe

### Features

- Color: black
- Material: rubber
- Ø50/40 mm

### Scope of supply

- Wrapping seal

### Order number, Logistic information

Code	EAN	Weight (piece   packing   palett)	Dimensions (piece   packing)	Quantity (packing   palett)
S0156-ND	8595580536695	0,03   0,03   - kg	60x30x60   - mm	1   - pc

**Warranty**  
2/2 years \*

**Customs code**  
40169300