



# MAGNA1

Further product  
documentation



[net.grundfos.com/qr/i/98091804](https://net.grundfos.com/qr/i/98091804)

be  
think  
innovate

**GRUNDFOS** 



MAGNA1



MAGNA1 D





Max. 95 % RH  
IPX4D



Min./Max.  
-10 °C – +110 °C



PN 6:6 bar / 0.6 MPa  
PN 10:10 bar / 1.0 MPa

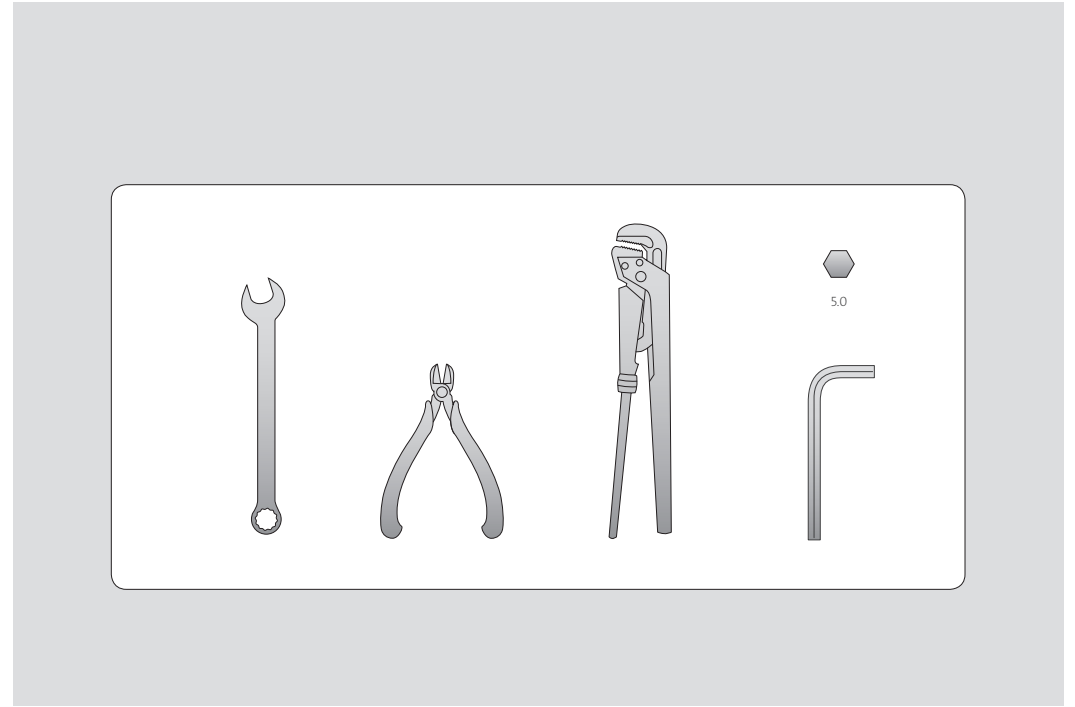
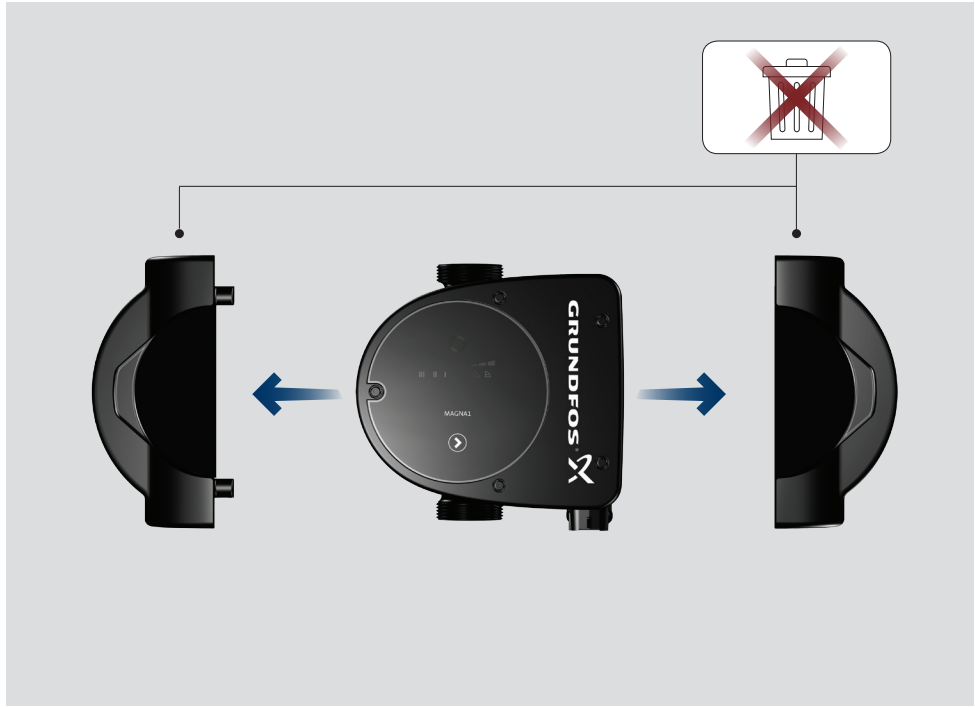


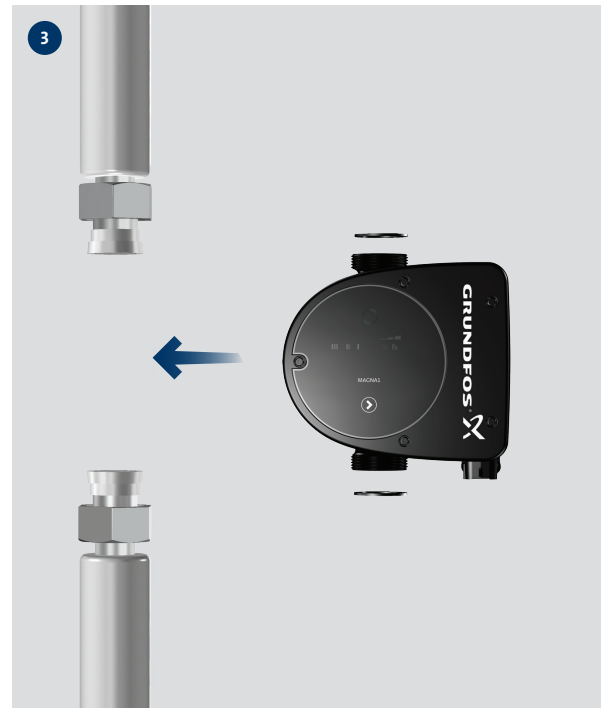
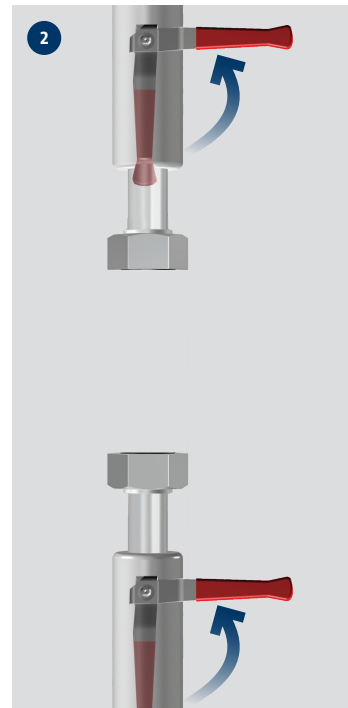
Min./Max.  
0 °C – +40 °C

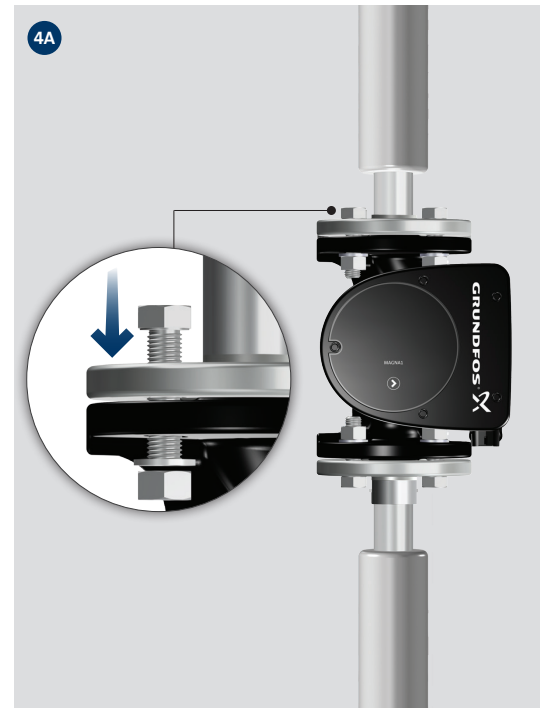


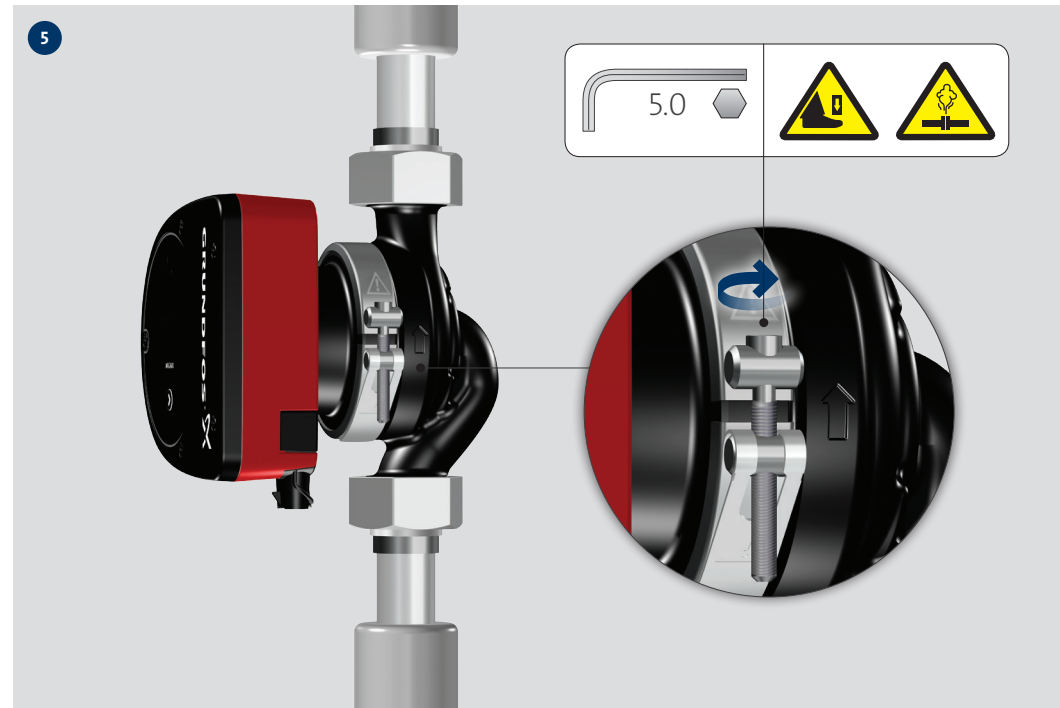
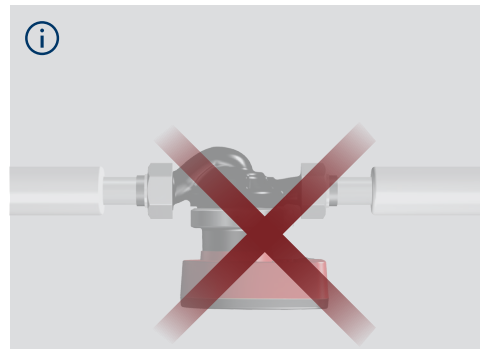
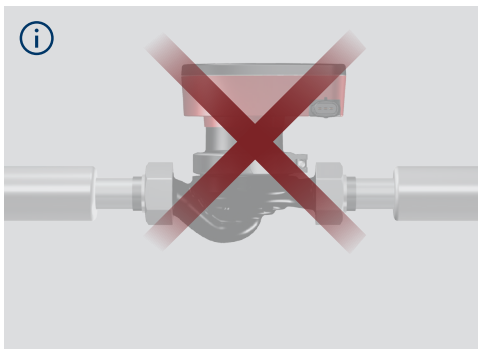
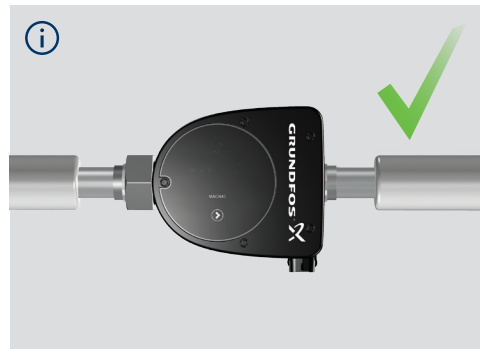
< 43 dB(A)



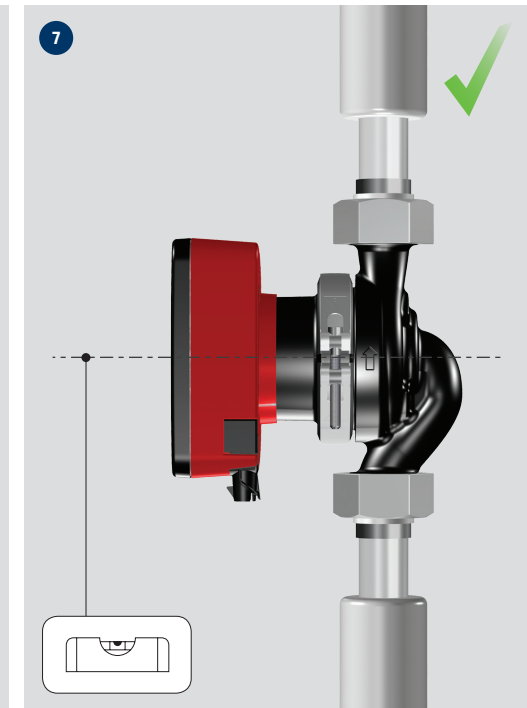
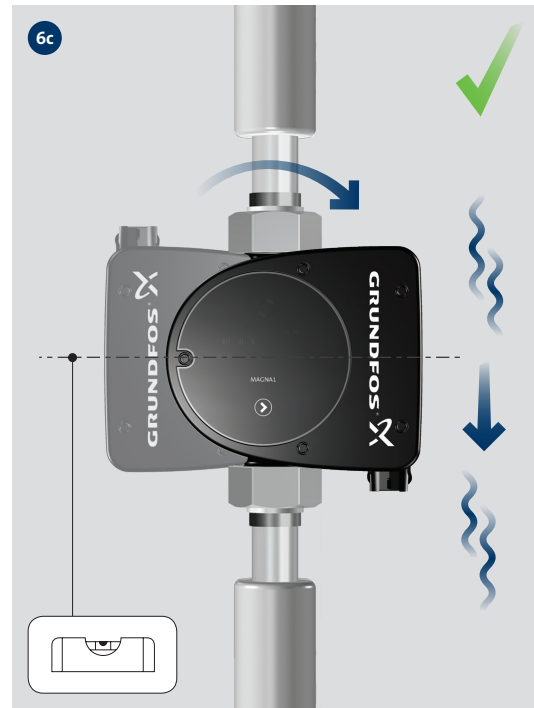
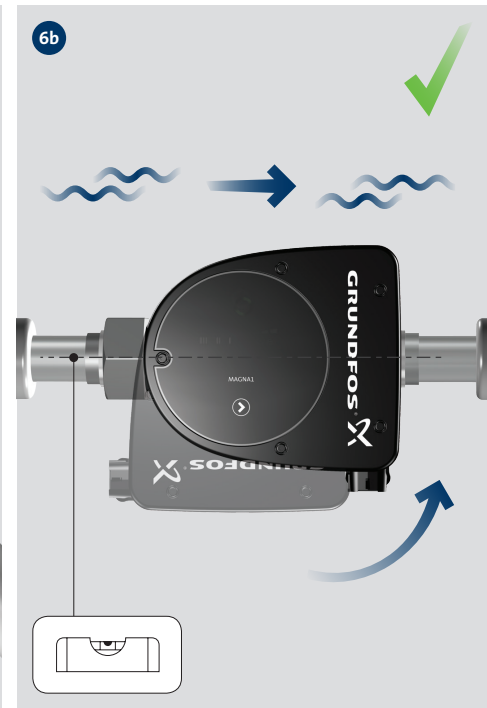






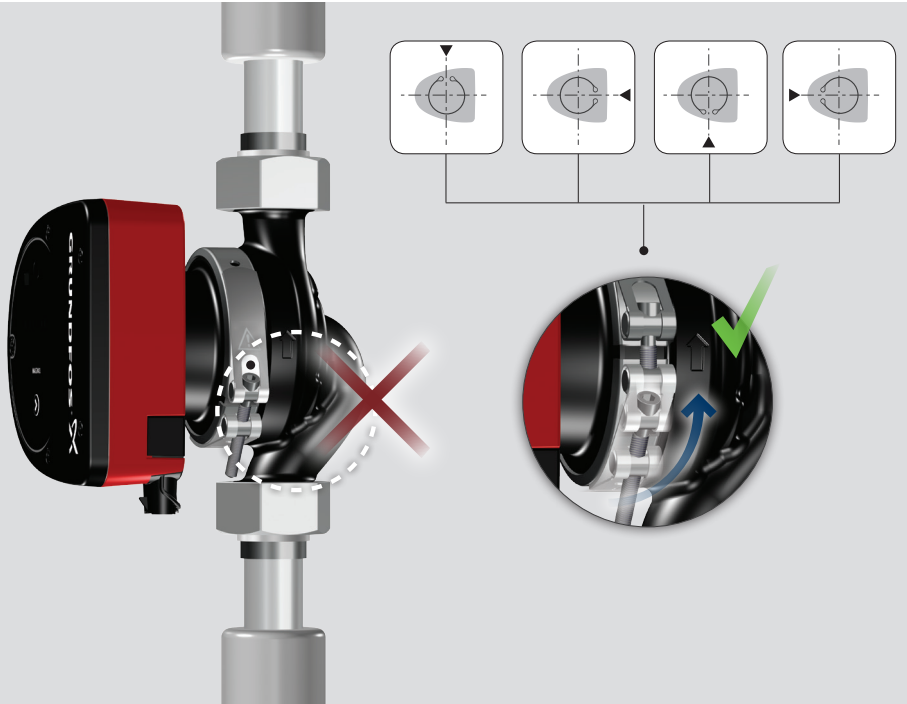




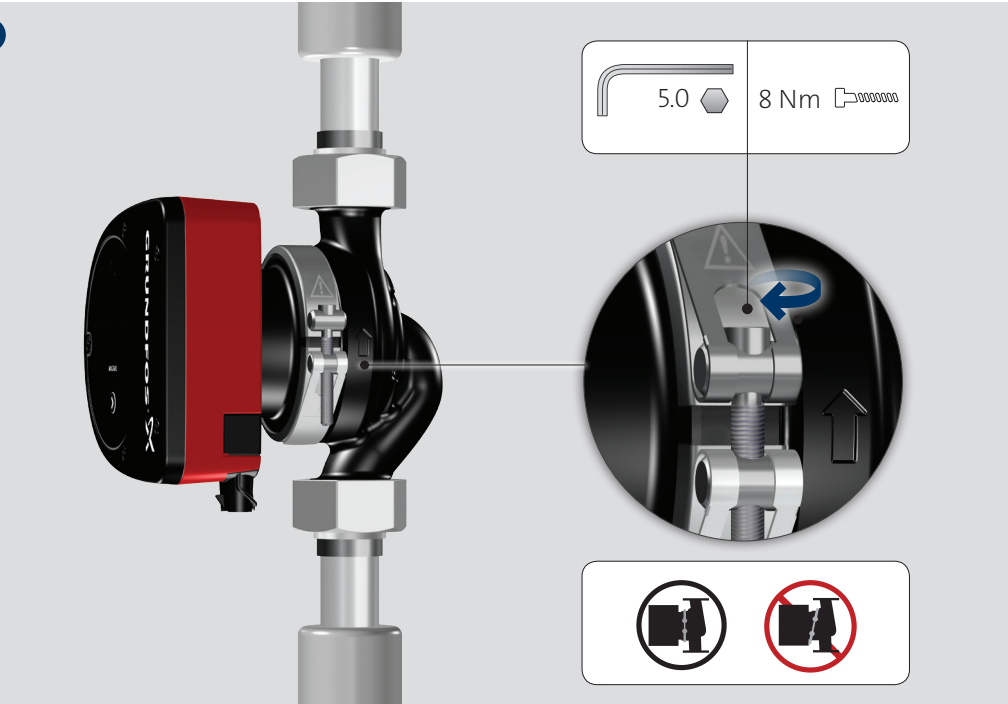




8

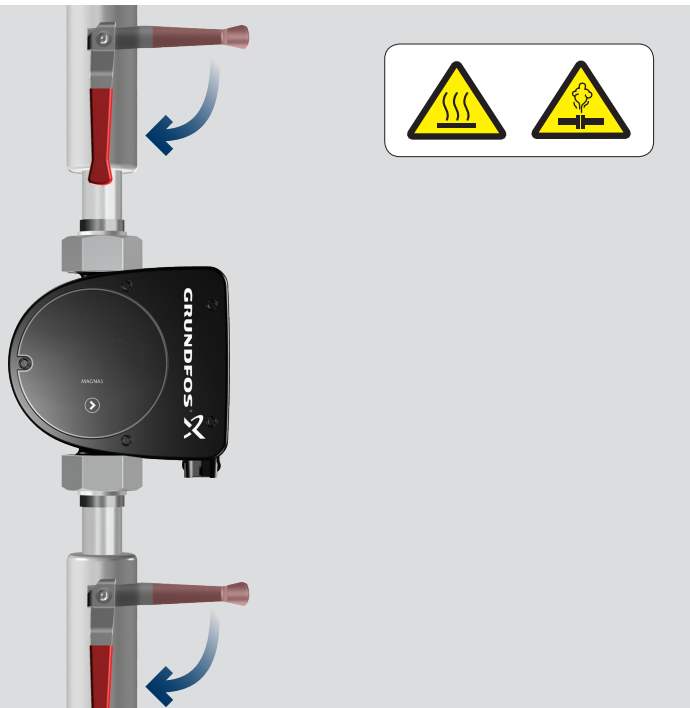


9

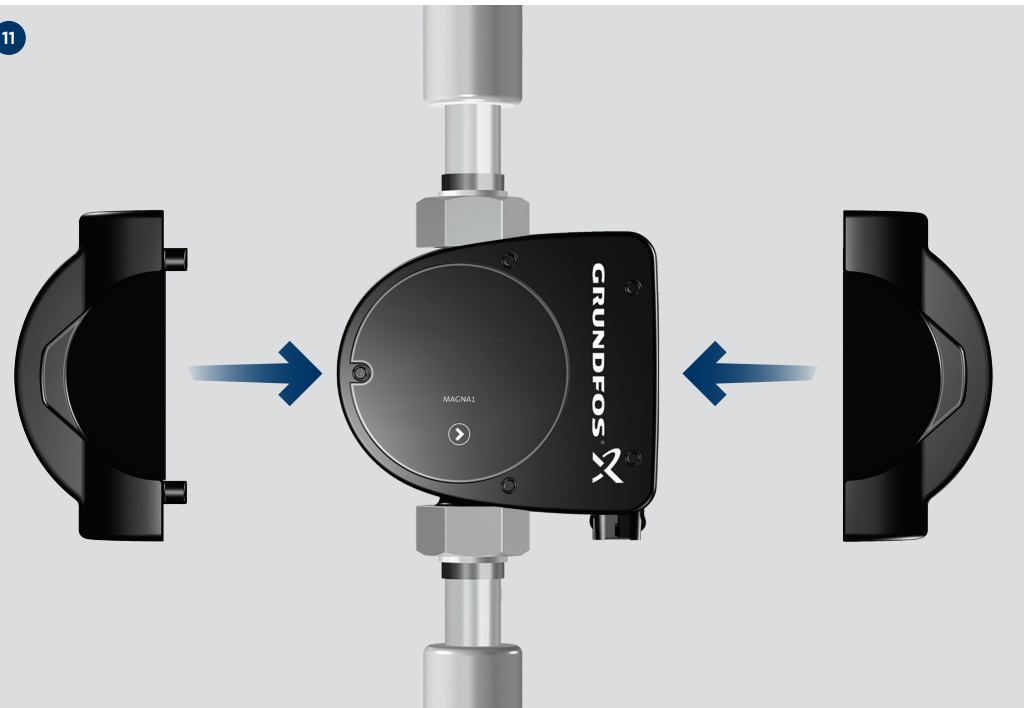


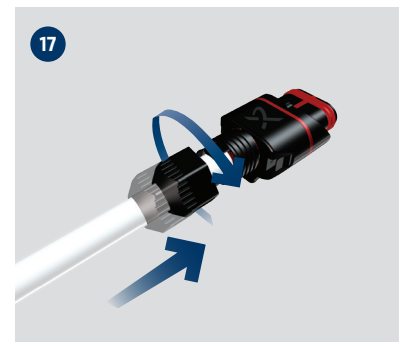
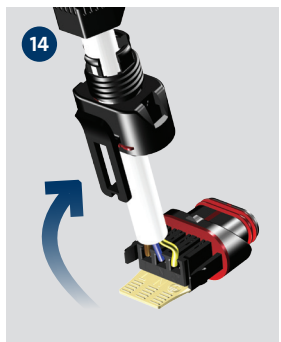
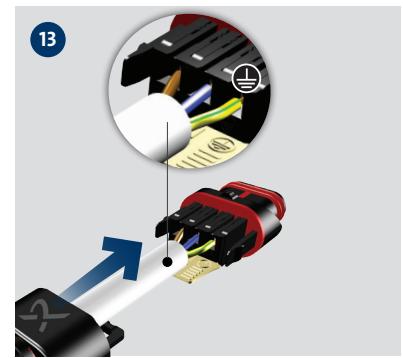
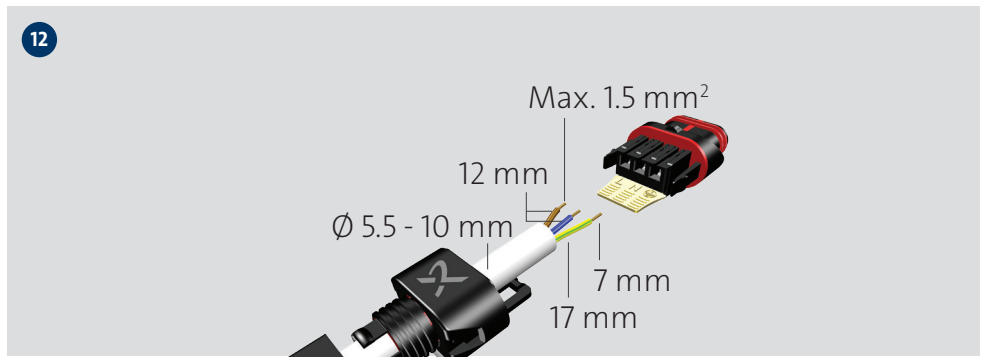


10



11







19

1x 230V ± 10 %  
~ 50/60 Hz ⚡



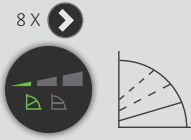
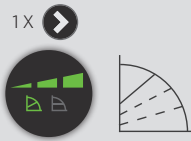
Further product documentation



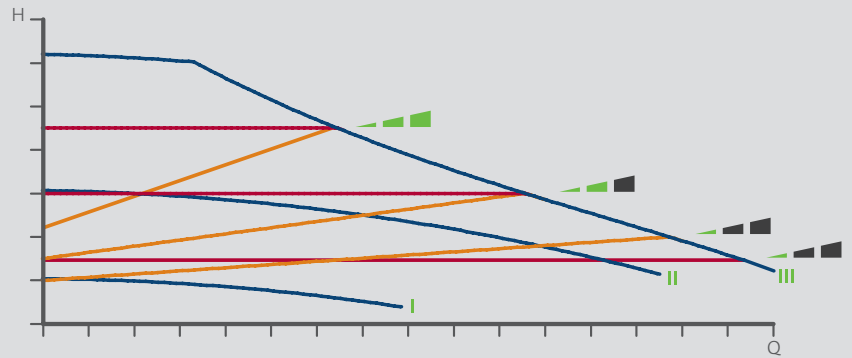
[net.grundfos.com/qr/i/98091804](http://net.grundfos.com/qr/i/98091804)



i



i



[net.grundfos.com/qr/i/98091804](https://net.grundfos.com/qr/i/98091804)







Installation date: \_\_\_\_\_

Installer:

\_\_\_\_\_  
\_\_\_\_\_  
\_\_\_\_\_  
\_\_\_\_\_

98286141 1215

ECM: 1173297