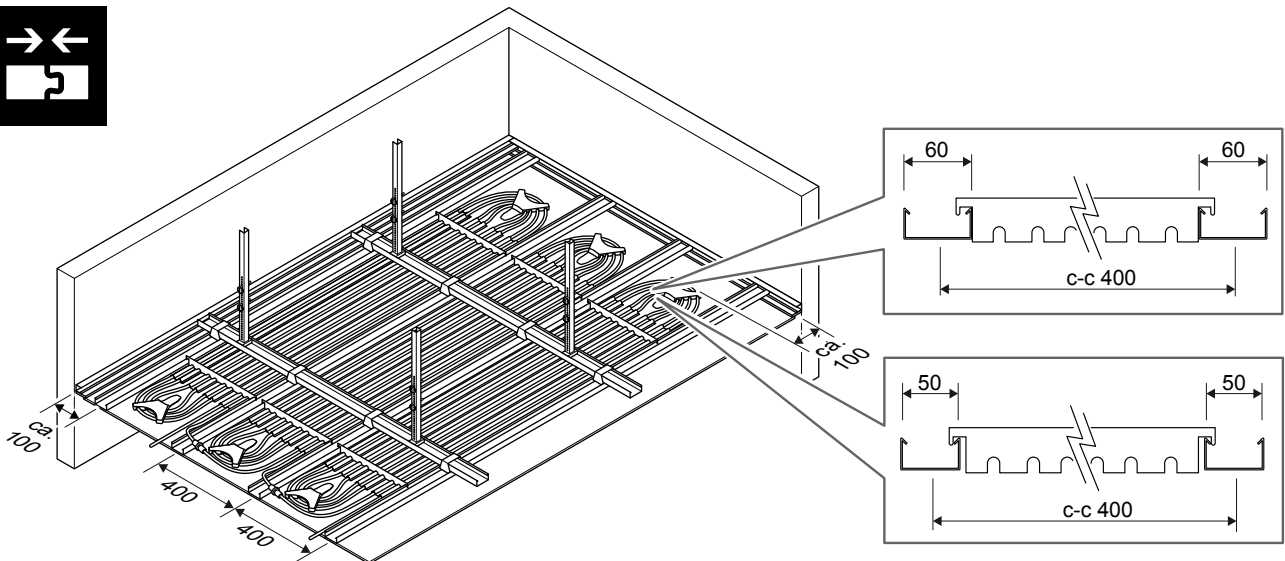
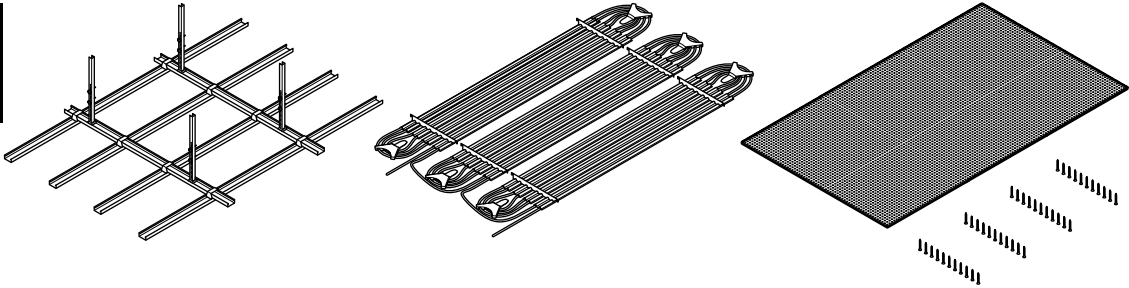
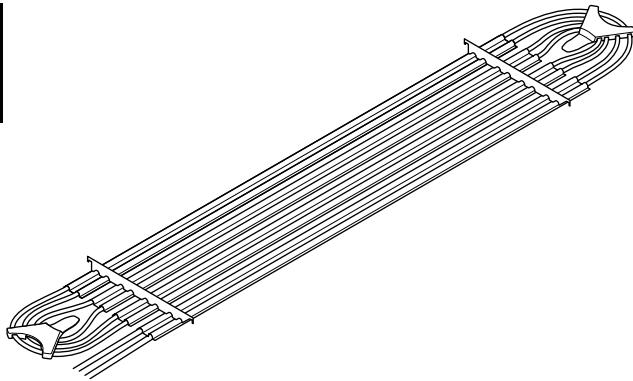
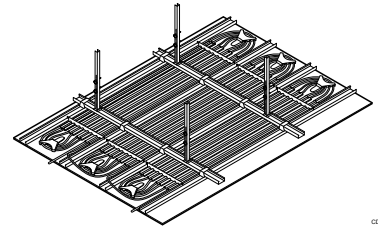
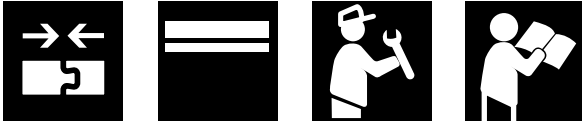
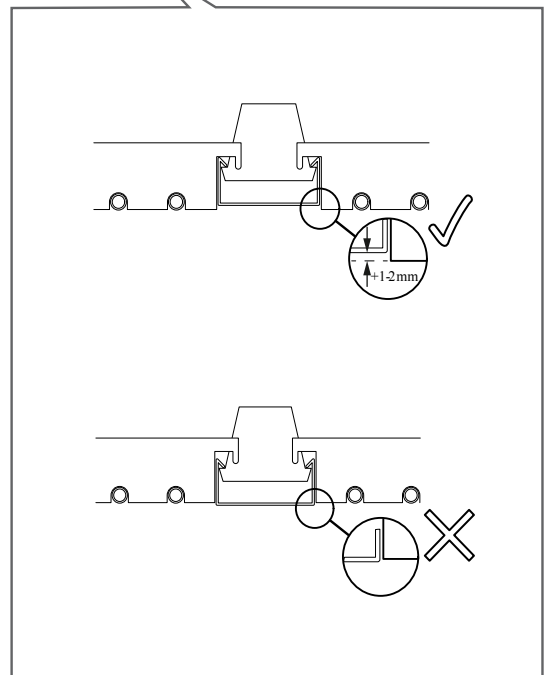
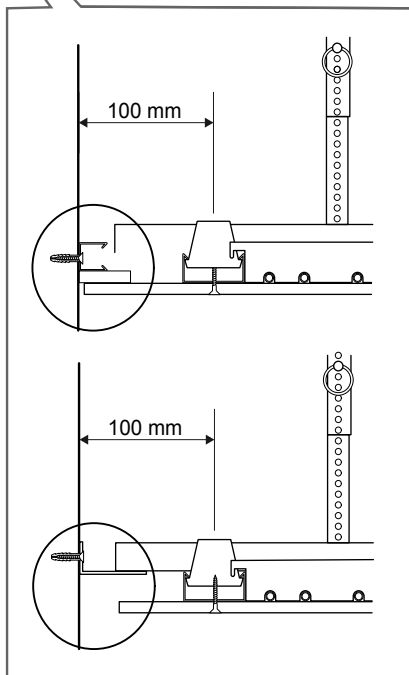
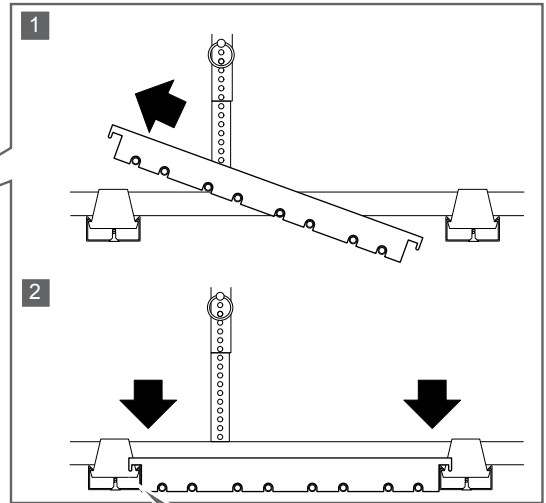
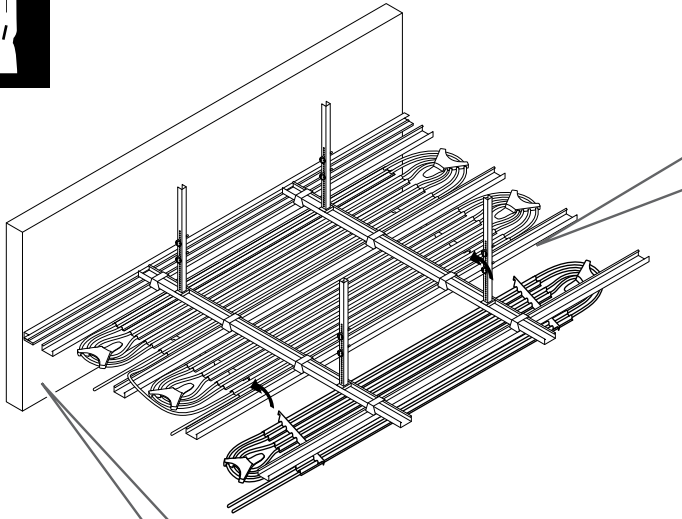


Uponor Thermatop S





IM Uponor Q&E Ø 9,9 - 50



www.uponor.com/services/download-centre

SI0000486

Uponor GmbH

Industriestraße 56,
D-97437 Hassfurt, Germany

1121549 v2_10_2021_INT
Production: Uponor/SDE

Uponor reserves the right to make changes, without prior notification, to the specification of incorporated components in line with its policy of continuous improvement and development.



www.uponor.com