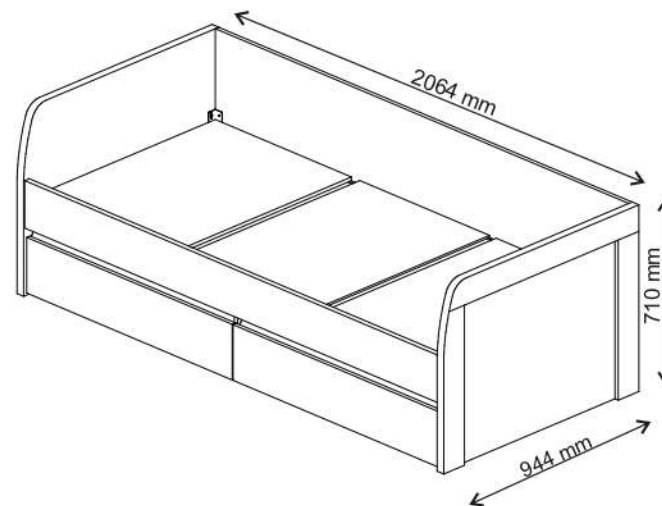
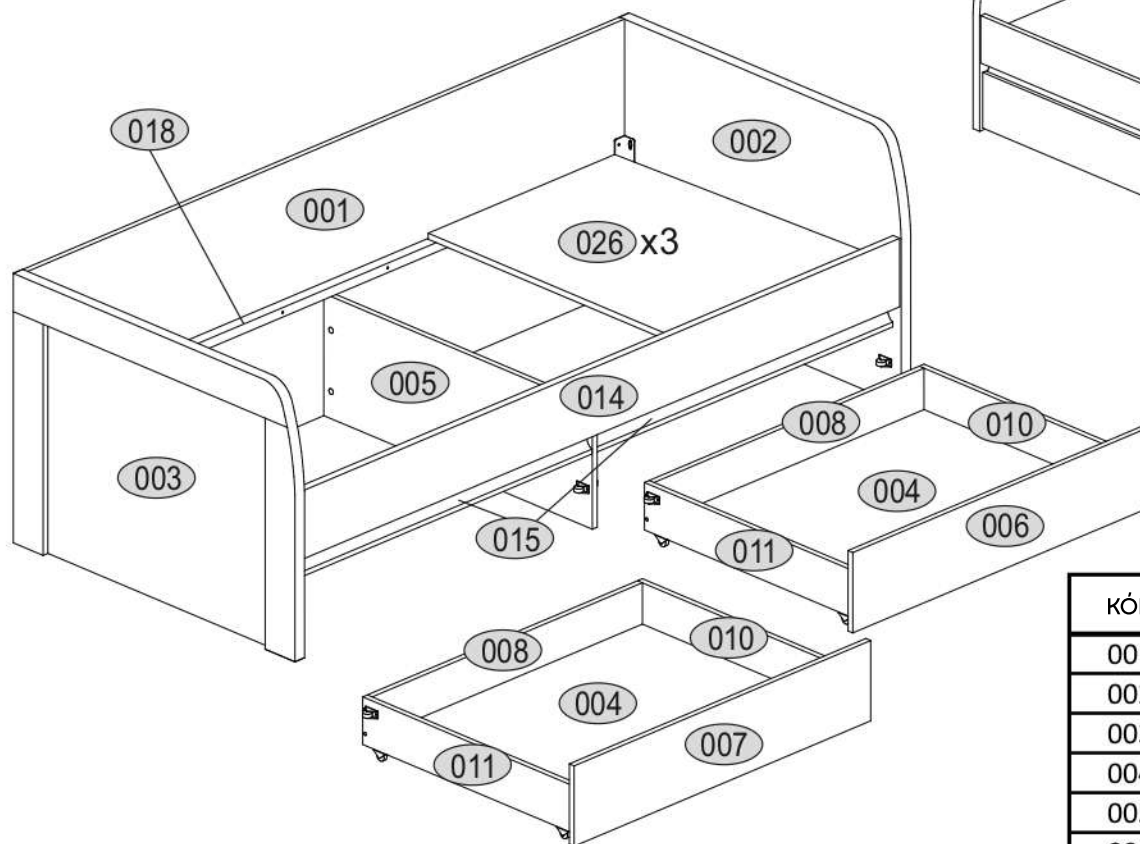
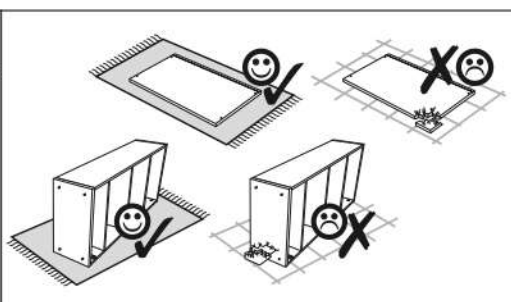
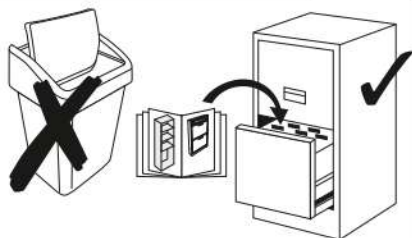
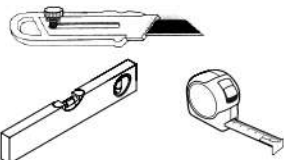
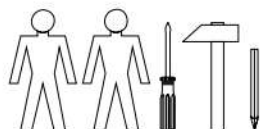




NORTY 2S/90

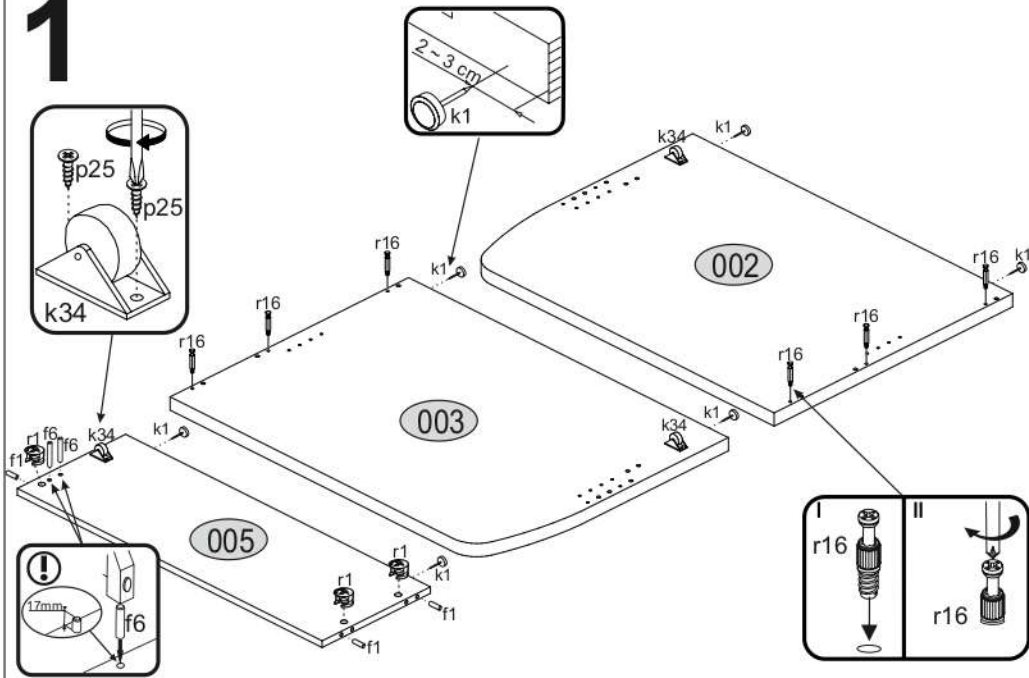


| KÓD | ROZMĚR | | | | BALÍČEK |
|---------------|--------|-----|-------|---|---------|
| 001 | 2000 | 702 | 16 | 1 | 3/3 |
| 002 | 944 | 704 | 16/32 | 1 | 3/3 |
| 003 | 944 | 704 | 16/32 | 1 | 3/3 |
| 004 | 905 | 700 | 16 | 2 | 2/3 |
| 005 | 900 | 319 | 16 | 1 | 2/3 |
| 006 | 994 | 206 | 16 | 1 | 1/3 |
| 007 | 994 | 206 | 16 | 1 | 1/3 |
| 008 | 905 | 124 | 16 | 2 | 2/3 |
| 010 | 716 | 124 | 16 | 2 | 3/3 |
| 011 | 716 | 124 | 16 | 2 | 3/3 |
| 014 | 2000 | 179 | 22 | 1 | 1/3 |
| 015 | 992 | 70 | 30 | 2 | 1/3 |
| 018 | 1880 | 30 | 28 | 2 | 1/3 |
| 026 | 898 | 618 | 16 | 3 | 2/3 |
| PŘÍSLUŠENSTVÍ | | | | 1 | 3/3 |

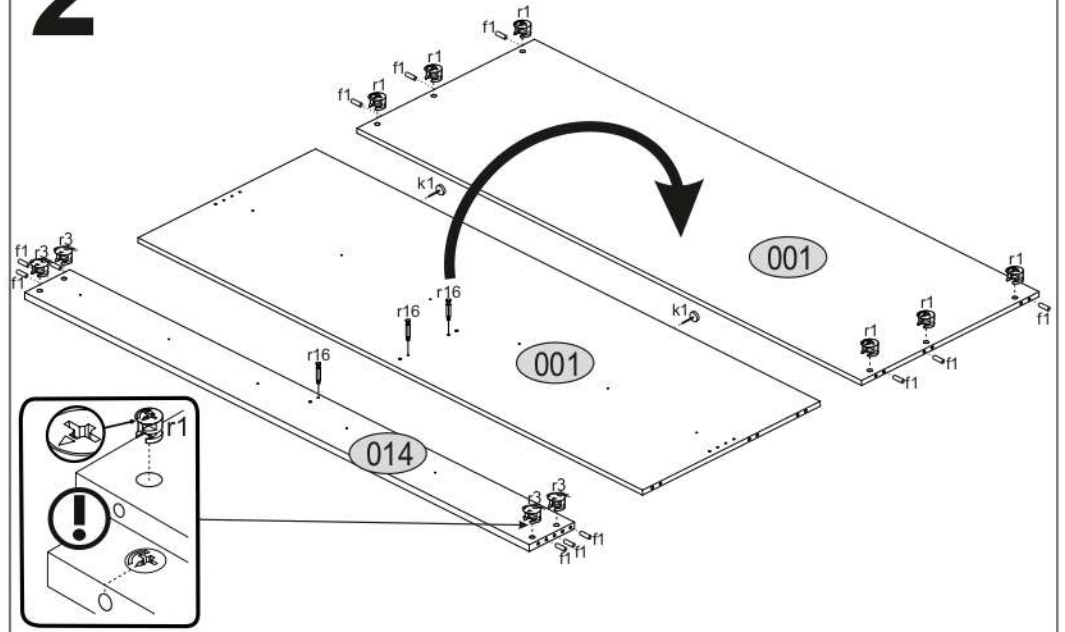
| | | | |
|--|---|---|---|
| <p>x8 e1</p> <p>Ø5x50 mm</p>  | <p>x8 s1</p>  | <p>x21 r1</p> <p>Ø15x12 mm</p>  | <p>x4 r3</p> <p>Ø15x15 mm</p>  |
| <p>x25 r16</p>  | <p>x25 s2</p>  | <p>x39 f1</p> <p>Ø8x30 mm</p>  | <p>x32 e2</p> <p>Ø6.3x13 mm</p>  |
| <p>x16 k34</p>  | <p>x4 n63</p>  | <p>x48 p25</p> <p>Ø3.5x16 mm</p>  | <p>x12 p21</p> <p>Ø4x30 mm</p>  |
| <p>x4 n221</p>  | <p>x12 p10</p> <p>Ø4x40 mm</p>  | <p>x2 f6</p> <p>Ø8x50 mm</p>  | <p>x8 k1</p>  |
| <p>x1 z1</p>  | | | |



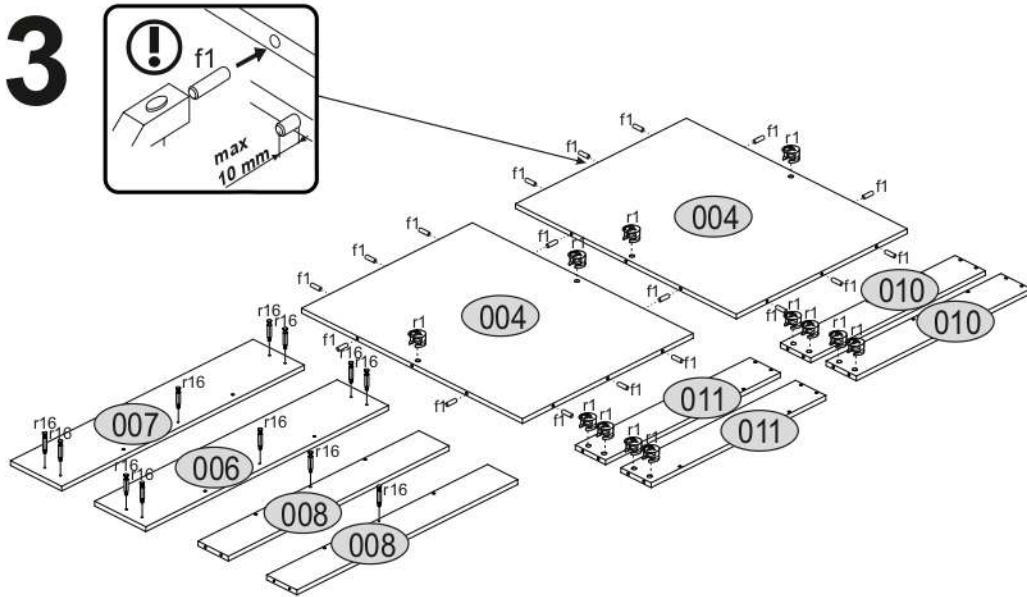
1



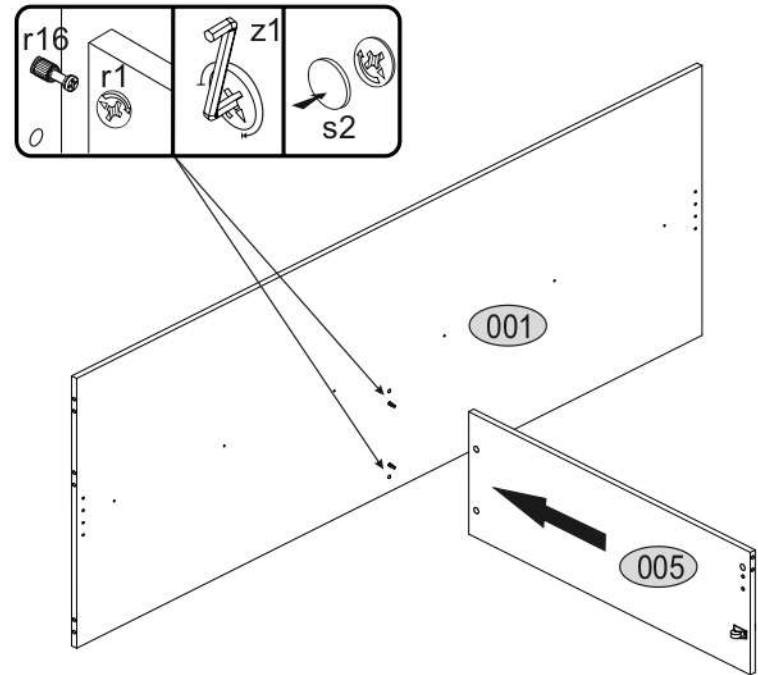
2



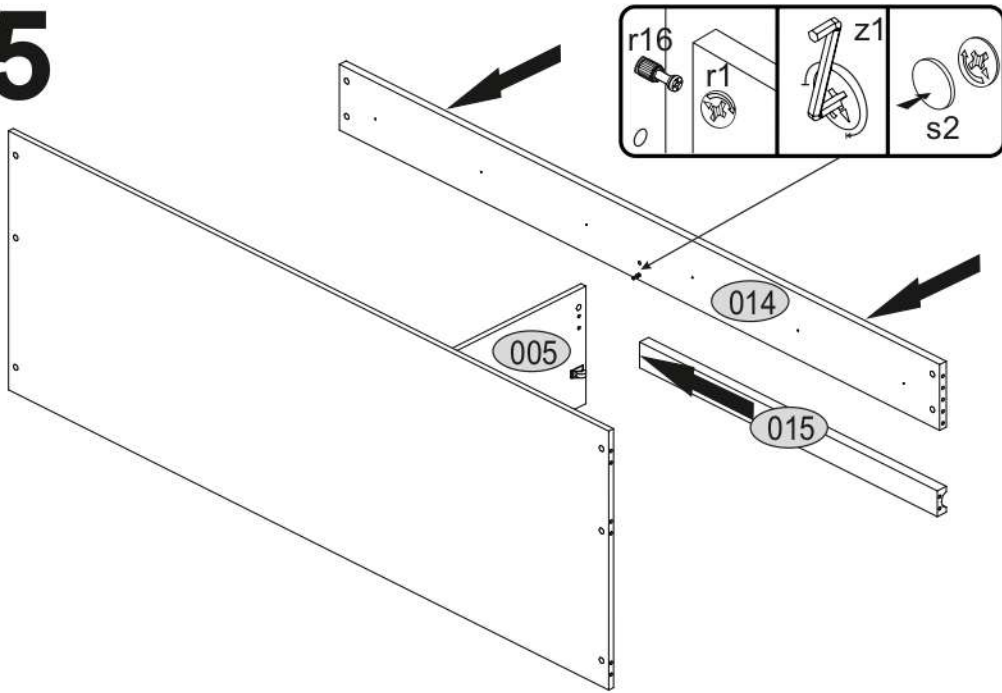
3



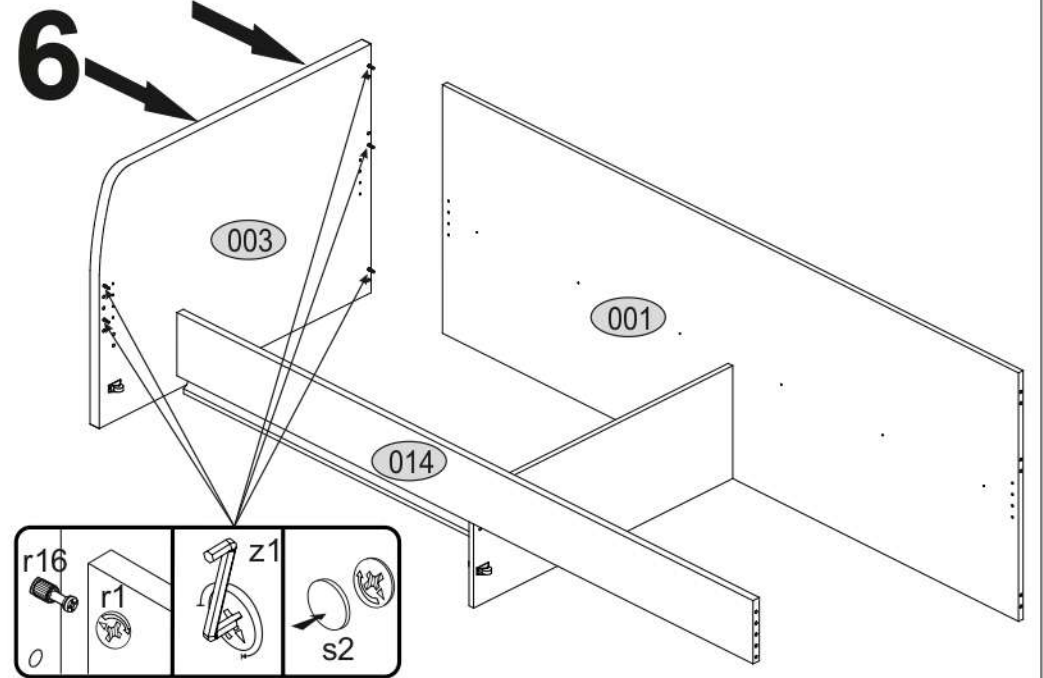
4



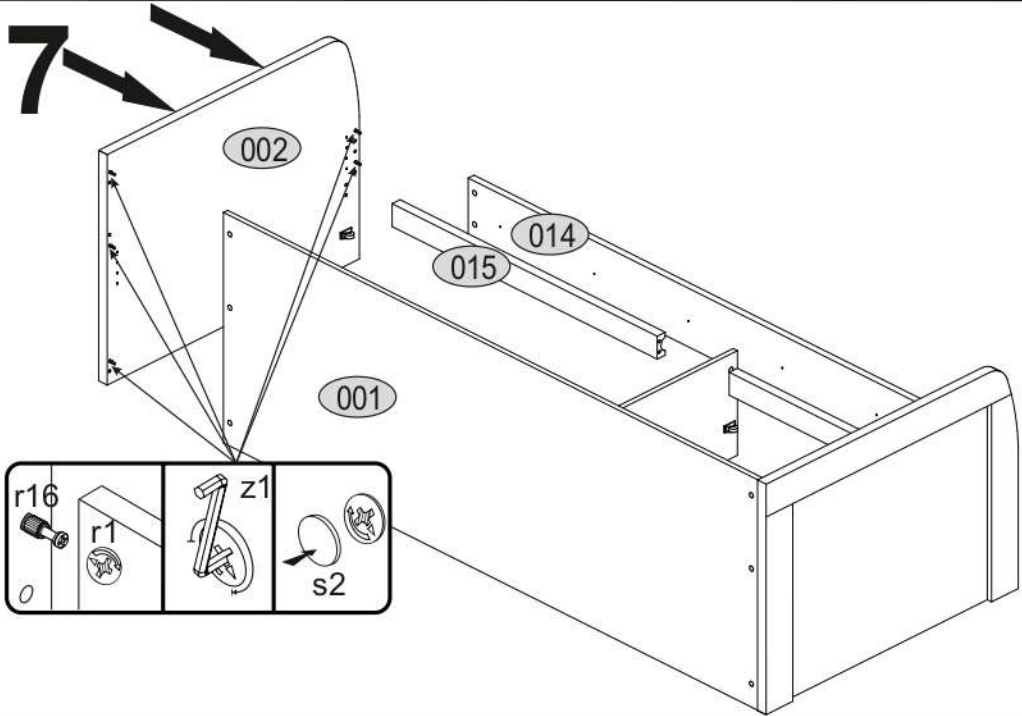
5



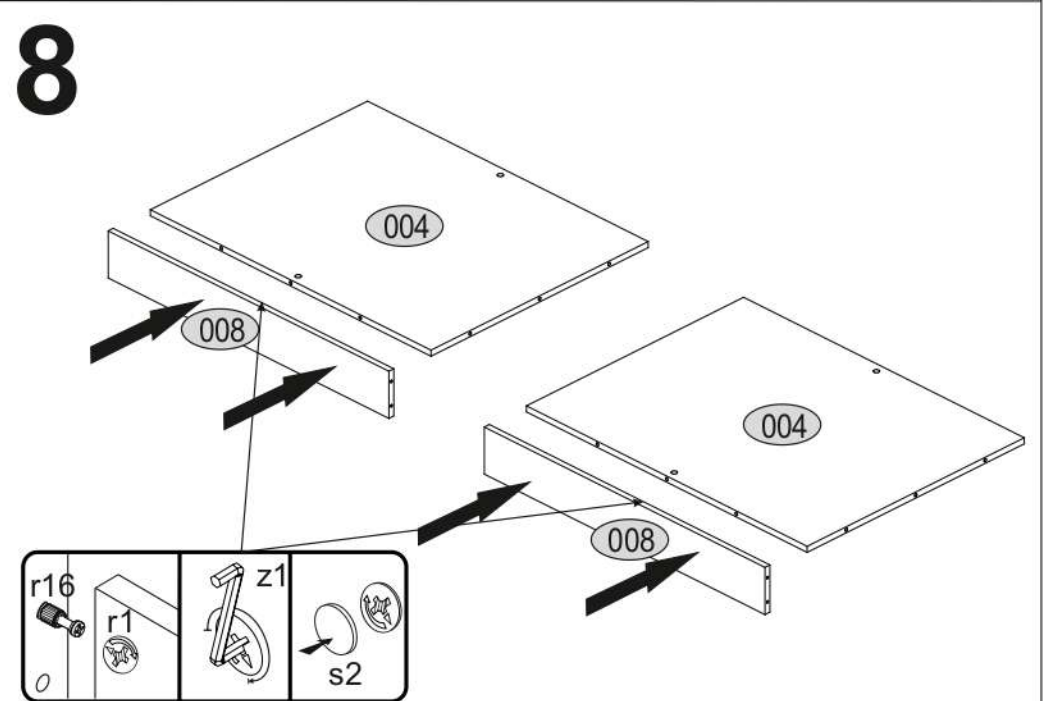
6



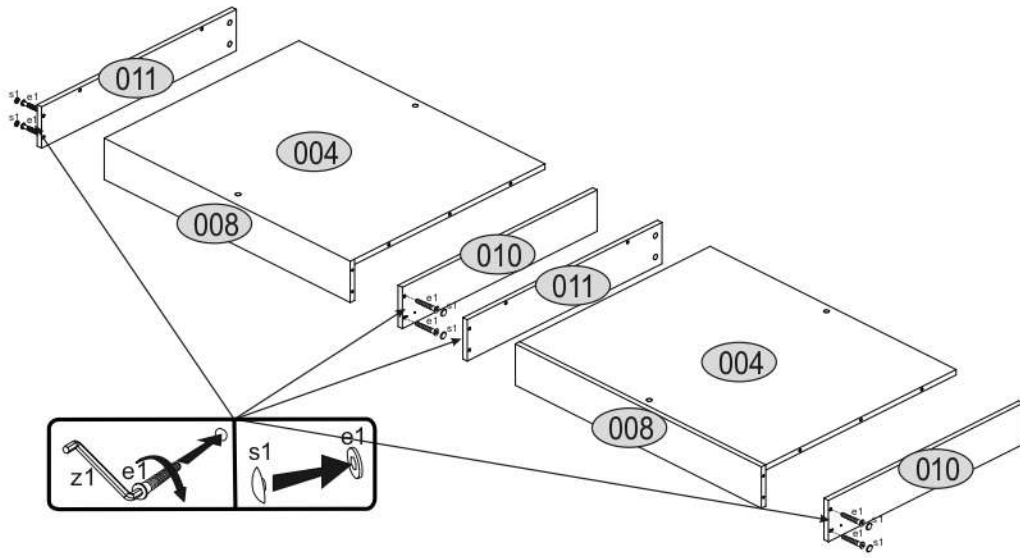
7



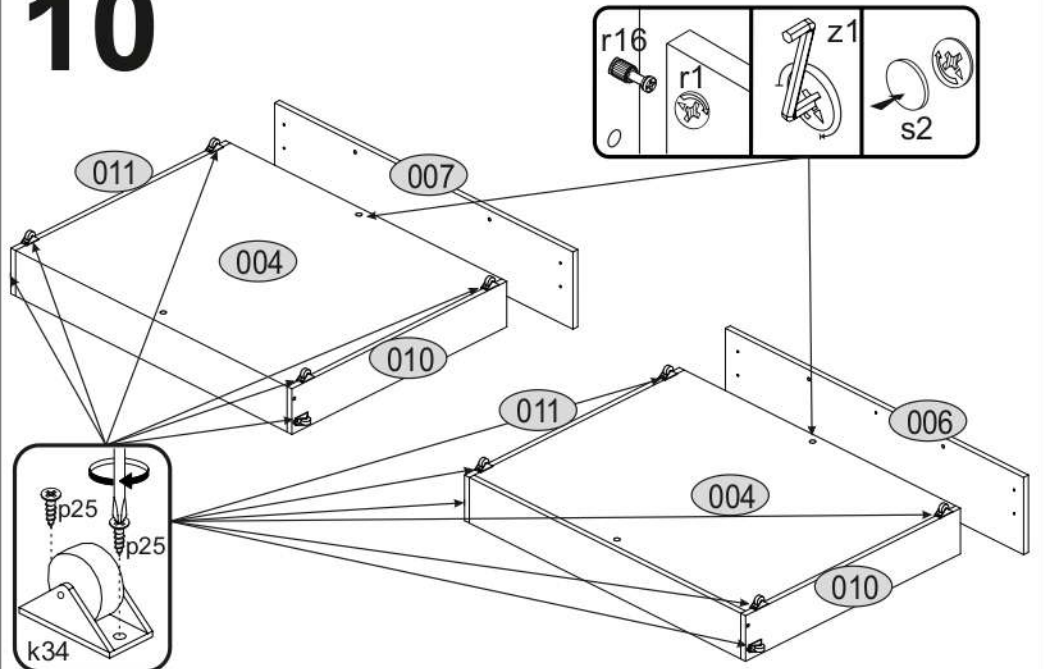
8



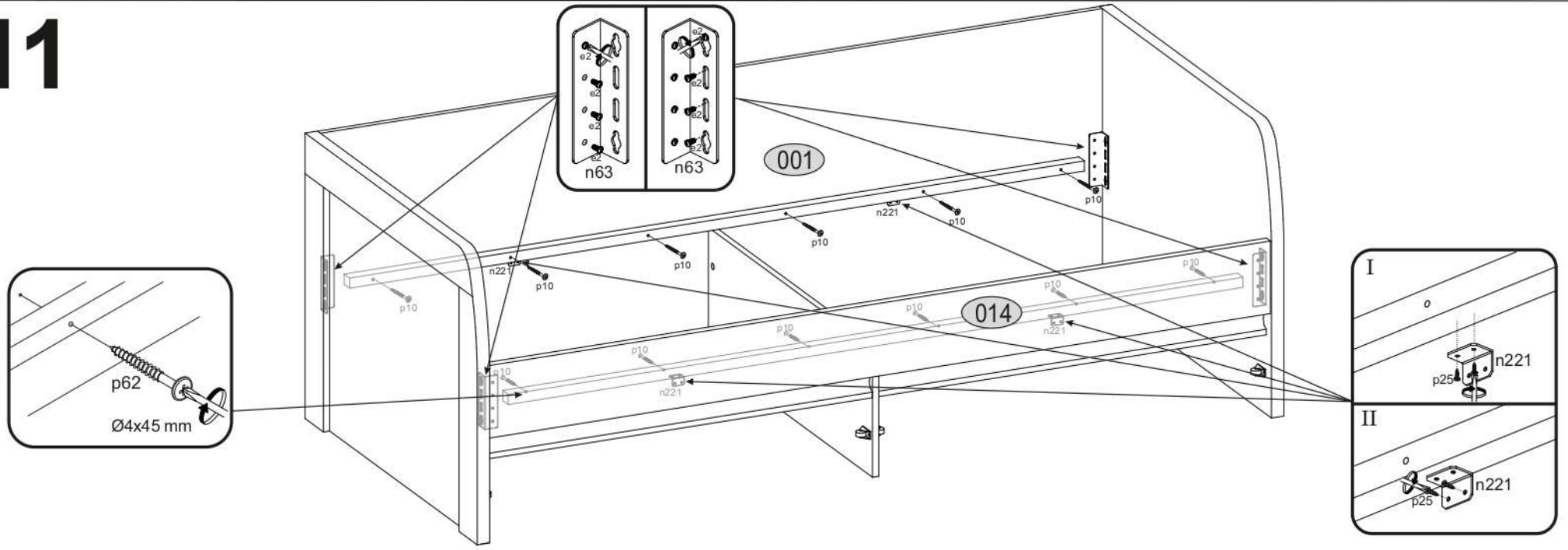
9



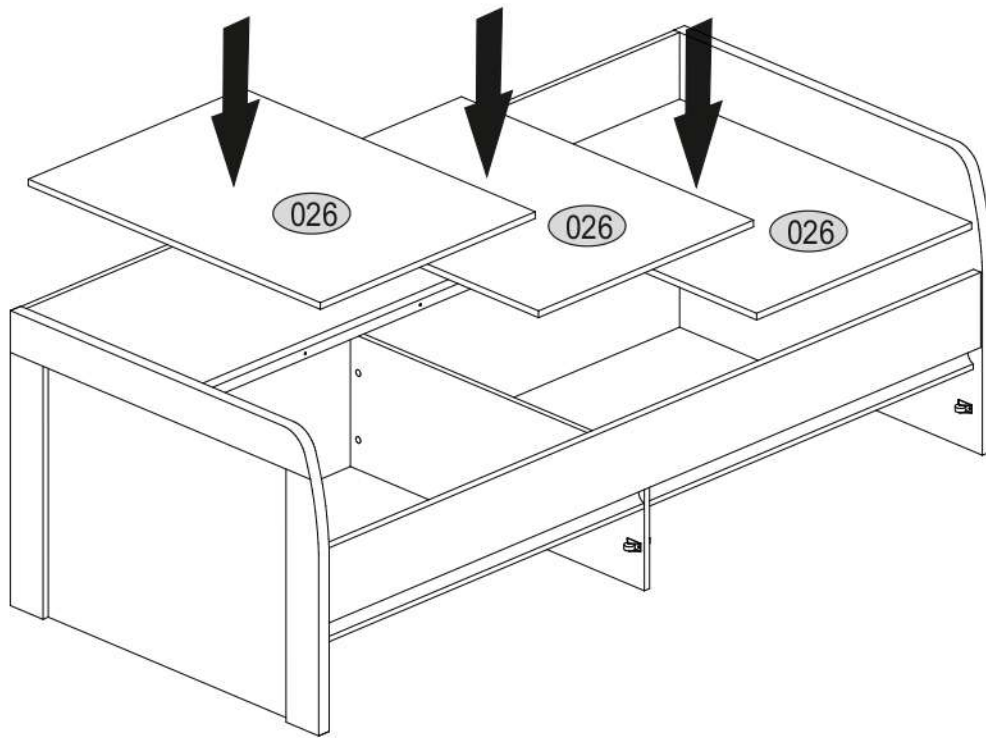
10



11



12



13

