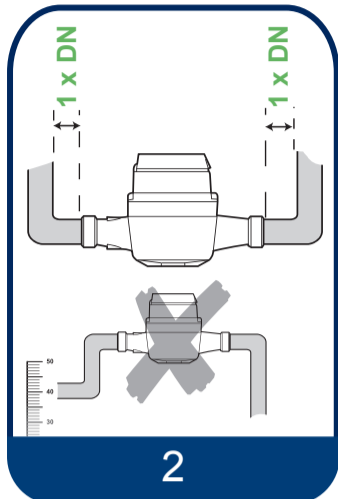
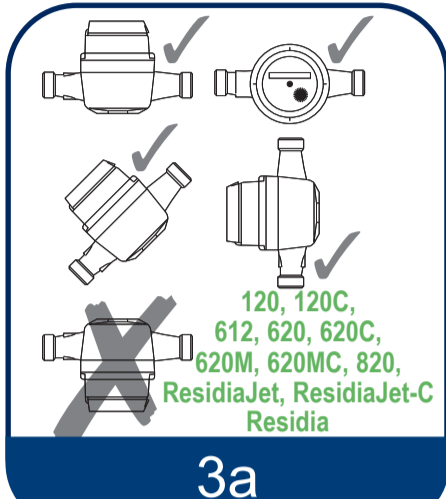


1

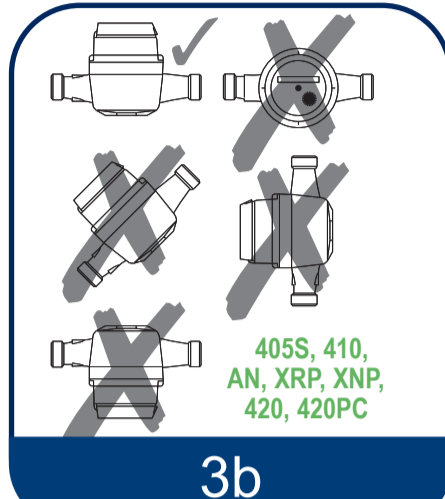


2



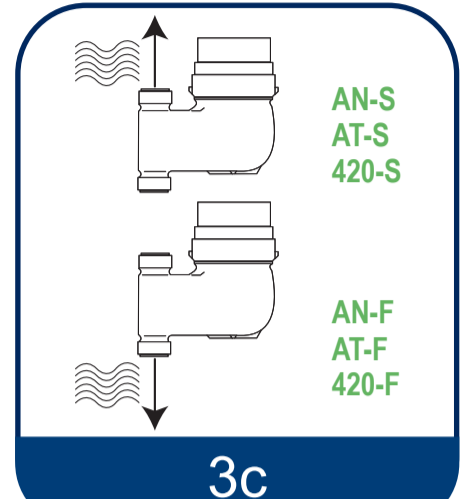
3a

120, 120C,  
612, 620, 620C,  
620M, 620MC, 820,  
ResidiaJet, ResidiaJet-C  
Residia



3b

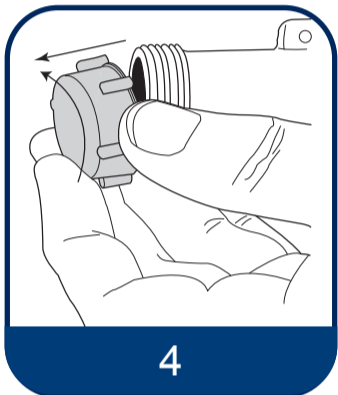
405S, 410,  
AN, XRP, XNP,  
420, 420PC



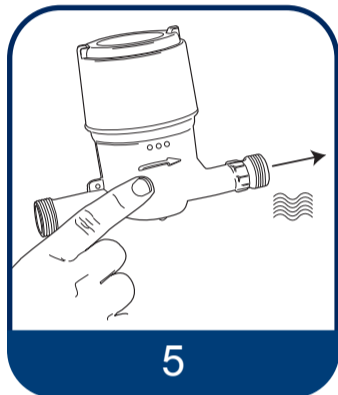
3c

AN-S  
AT-S  
420-S

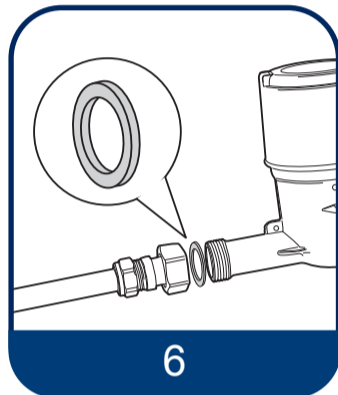
AN-F  
AT-F  
420-F



4



5



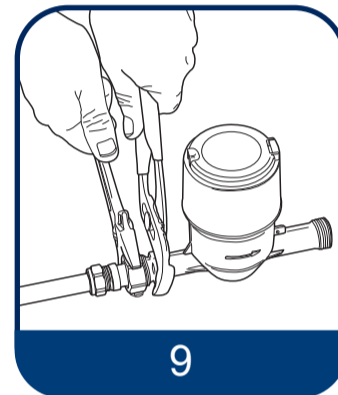
6



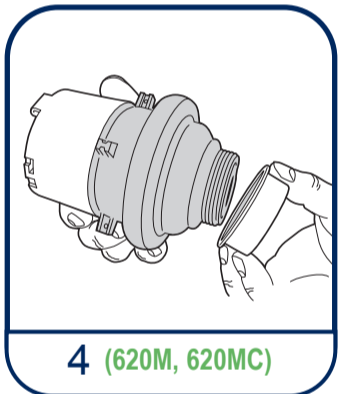
7



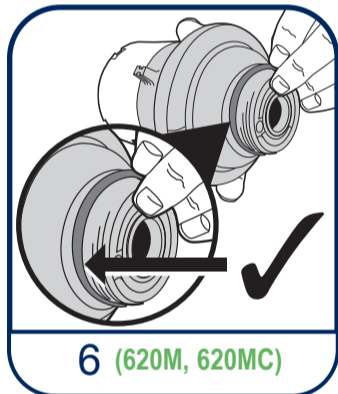
8



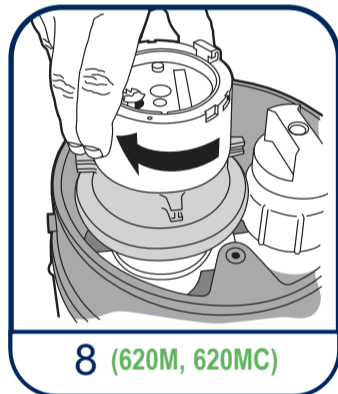
9



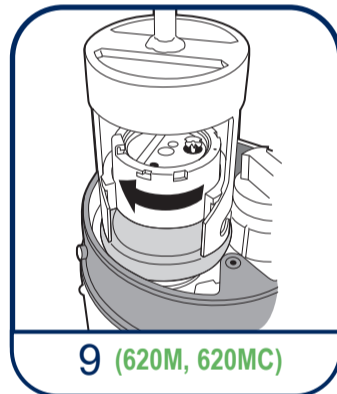
4 (620M, 620MC)



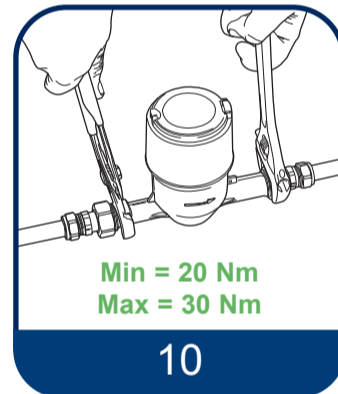
6 (620M, 620MC)



8 (620M, 620MC)

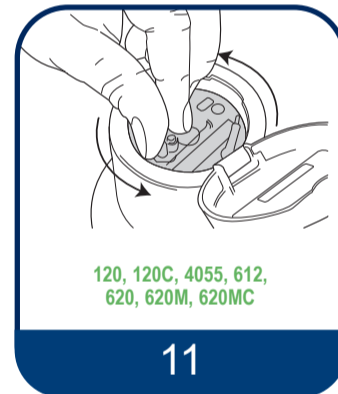


9 (620M, 620MC)



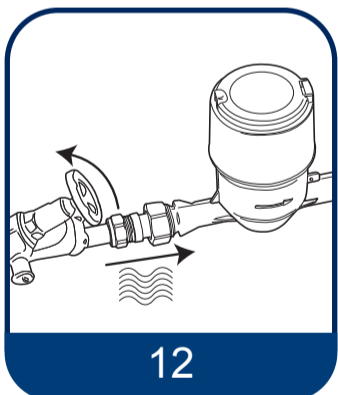
Min = 20 Nm  
Max = 30 Nm

10

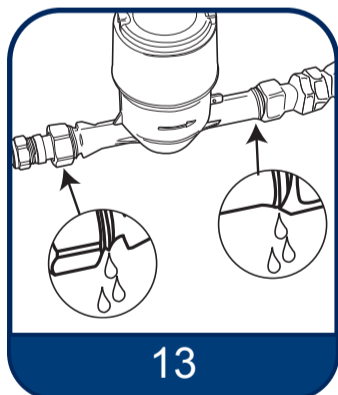


11

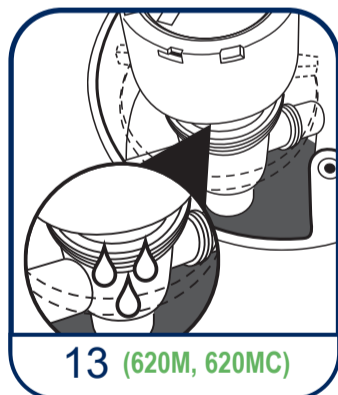
120, 120C, 405S, 612,  
620, 620M, 620MC



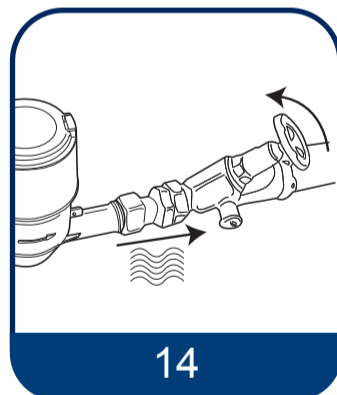
12



13



13 (620M, 620MC)



14



15

