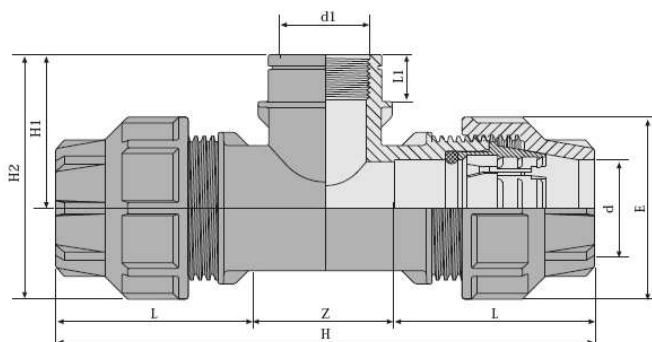


## Technická data – T kus s vnitřním závitem Plassim typ T1

## Technická data – T kus s vnútorným závitom Plassim typ T1

Výrobce:



| dxdxd          | Katalogové číslo<br>Katalogové číslo | L   | Z  | H   | E   | L1 | H1  | H2  | Váha<br>v g |
|----------------|--------------------------------------|-----|----|-----|-----|----|-----|-----|-------------|
| 16x1/2"x16     | 15016T0201                           | 45  | 20 | 110 | 38  | 17 | 37  | 57  | 45          |
| 16x3/4"x16     | 15016T0202                           | 45  | 20 | 110 | 38  | 18 | 40  | 59  | 50          |
| 20x1/2"x20     | 15020T0201                           | 54  | 24 | 132 | 46  | 18 | 46  | 70  | 85          |
| 20x3/4"x20     | 15020T0202                           | 54  | 24 | 132 | 46  | 18 | 46  | 70  | 85          |
| 25x1/2"x25     | 15025T0201                           | 60  | 30 | 150 | 52  | 16 | 44  | 71  | 105         |
| 25x3/4"x25     | 15025T0202                           | 60  | 30 | 150 | 52  | 19 | 46  | 73  | 110         |
| 25x1"x25       | 15025T0203                           | 60  | 30 | 150 | 52  | 21 | 52  | 79  | 120         |
| 32x3/4"x32     | 15032T0202                           | 72  | 42 | 186 | 64  | 19 | 58  | 85  | 180         |
| 32x1"x32       | 15032T0203                           | 72  | 42 | 186 | 64  | 25 | 58  | 93  | 190         |
| 40x1"x40       | 15040T0203                           | 75  | 62 | 212 | 78  | 22 | 72  | 110 | 330         |
| * 40x1 1/4"x40 | 15040T0204                           | 75  | 62 | 212 | 78  | 24 | 69  | 113 | 345         |
| * 40x1 1/2"x40 | 15040T0205                           | 75  | 62 | 212 | 78  | 24 | 73  | 113 | 365         |
| * 50x1 1/4"x50 | 15050T0204                           | 96  | 72 | 264 | 94  | 24 | 79  | 128 | 590         |
| * 50x1 1/2"x50 | 15050T0205                           | 96  | 72 | 264 | 94  | 24 | 73  | 131 | 605         |
| * 50x2"x50     | 15050T0206                           | 96  | 72 | 264 | 94  | 26 | 85  | 134 | 640         |
| * 63x1 1/2"x63 | 15063T0205                           | 109 | 80 | 298 | 113 | 26 | 85  | 143 | 855         |
| * 63x2"x63     | 15063T0206                           | 109 | 80 | 298 | 113 | 28 | 87  | 143 | 885         |
| * 75x2x75      | 15075T0206                           | 126 | 80 | 332 | 128 | 30 | 100 | 166 | 1150        |
| * 75x2 1/2"x75 | 15075T0207                           | 126 | 80 | 332 | 128 | 31 | 100 | 166 | 1185        |
| * 75x3"x75     | 15075T0208                           | 126 | 80 | 332 | 128 | 34 | 100 | 174 | 1195        |

\* vyztuženo vloženým kroužkem

\* vystužené vloženým krúžkom