

1

2

3

4

5

6

RevNo

Revision note

Date

Signature

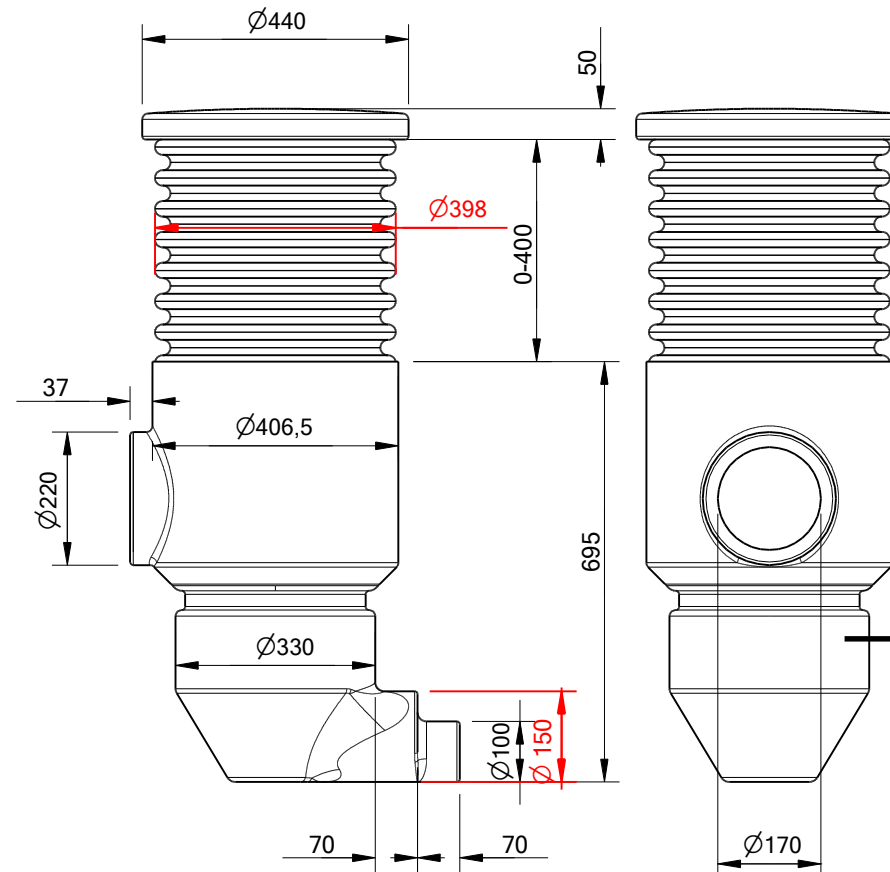
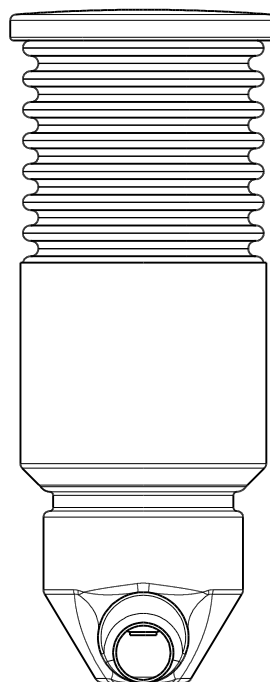
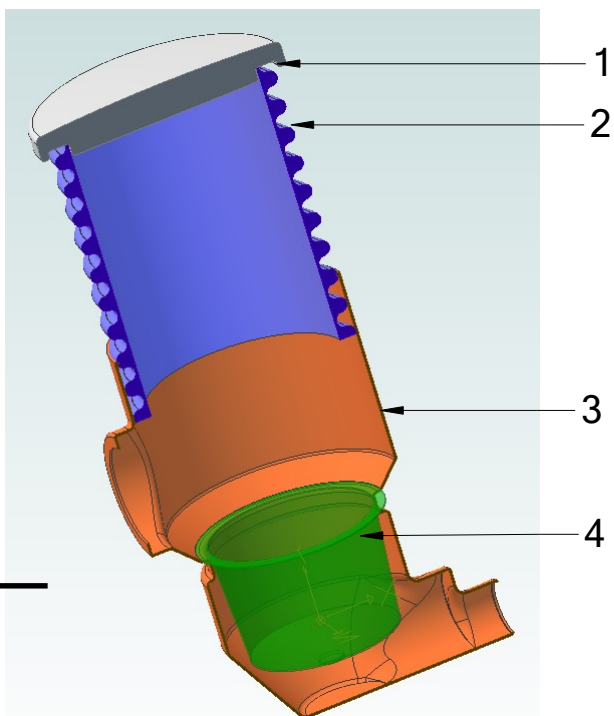
Checked

A

B

C

D



A

B

C

D

### Legenda

1. Viko
2. Trubka korug DN400
3. Obal filtru
4. Filtrační sito

Itemref	Quantity	Title/Name, designation, material, dimension etc	Article No./Reference		
Drawn by Ing. Jan Burian	Checked by	Approved by - date 18.06.2019	File name	Date 20.12.2018	Scale 1:1
<b>Filtrační šachta</b>			<b>CZ PLAST s.r.o.</b>		
			Edition	Sheet 1 OF 1	

1

2

3

4

5

6