

Technical Data

KLUDI LOGO
DUAL SHOWER SYSTEM
DN 15

Ref.:
6809405-00

Finishes:
05 chrome

Product description
Manufacturer KLUDI GmbH & Co. KG
Typ: KLUDI LOGO
DUAL SHOWER SYSTEM DN 15
Ref.: 6809405-00

thermostatic shower mixer DN 15
wall mounted
with ceramic shut-off valve 90°/ 90°
temperature handle with hotwater safety at 38°C
shower outlet 1/2 inch
protected against back flow
with integrated back flow preventer
S-unions G 1/2 x 3/4
with dirt-catcher sieve
With fixing material
height-adjustable hand shower holder

hand shower 1 S
1 spray pattern
Volumen
with cleaning system
sieve seal

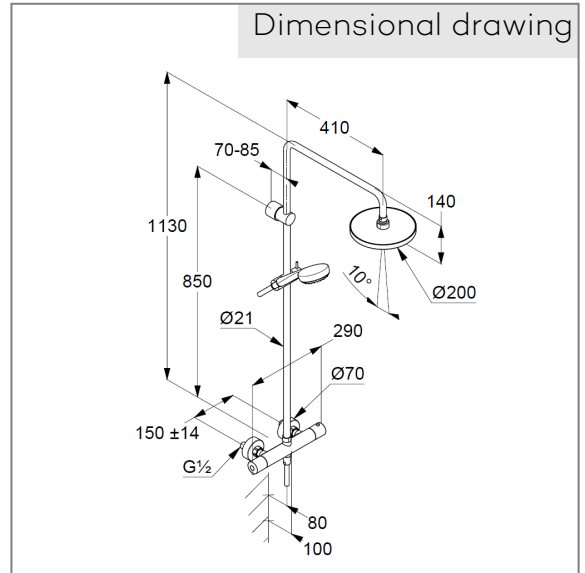
Shower hose
plastic coated
with conical nuts
G 1/2 x G 1/2 x 1600 mm

head shower 1 S
Ø 200 mm
1 spray pattern
with cleaning system
connection 1/2"
with ball joint
sieve seal

Product picture



Dimensional drawing



Flow rate diagram

