

## Technical Data

KLUDI FRESHLINE  
dual shower system  
DN 15

Ref.:  
6709005-00

Finishes:  
05 chrome

Product description  
Manufacturer KLUDI GmbH & Co. KG  
Typ: KLUDI FRESHLINE  
dual shower system  
Ref.: 6709005-00

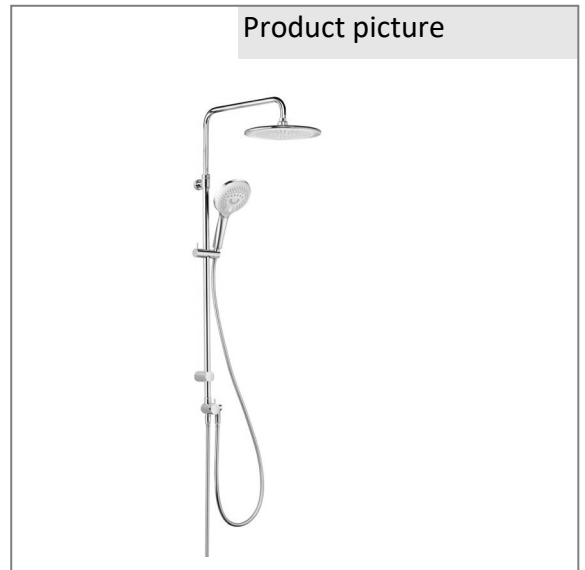
with horizontally and vertically adjustable pipe  
protected against back flow  
height-adjustable hand shower holder  
With fixing material  
for wall mounting  
water supply with connecting hose  
2 way ceramic diverter  
without shower mixer

hand shower 3 S  
3 spray pattern  
Volumen/ booster/ smooth  
with cleaning system  
connection 1/2"  
sieve seal

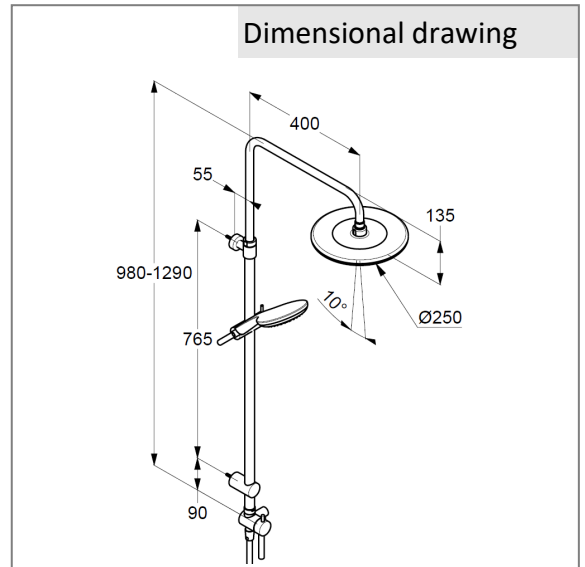
Shower hose  
plastic coated  
with metal-effect  
with conical nuts  
anti twist  
G 1/2 x G 1/2 x 1600 mm

Head shower  
1 spray pattern  
with cleaning system  
connection 1/2"  
with ball joint  
Ø 250 mm  
sieve seal

Product picture



Dimensional drawing



Flow rate diagram

