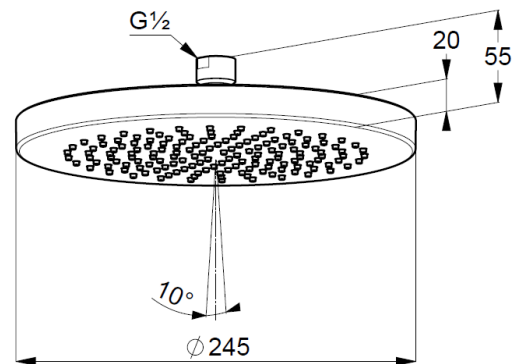


Technical Data

Product picture



Dimensional drawing



Flow rate diagram

