

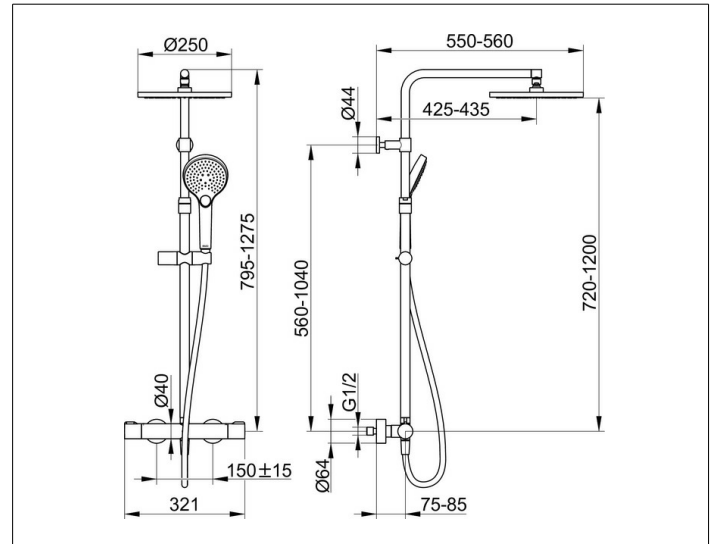
Plan blue

53926012321 Thermostatic mixer with head shower

PRODUCT



DRAWING



PRODUCT ATTRIBUTES

exposed, safety cut-off at 38°,  
 head shower height adjustable and swivelling,  
 250 mm round (restricted flow rate 15 l/min.),  
 hand shower with normal-, soft- and massage jet  
 (restricted flow rate 12 l/min.),  
 with shower bracket and shower hose 1600 mm,  
 stop and diverter valve and mixing valve  
 with ceramic sealing gaskets  
 depth gauge 150 +/- 15 mm,  
 hose connection DN 15,  
 intrinsically safe against backflow  
 suitable for water heaters

SURFACE

chrome-plated