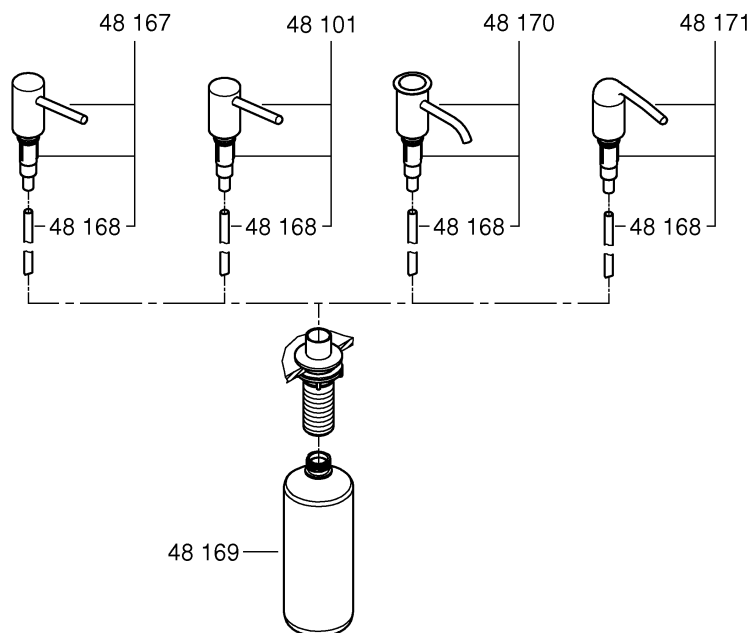
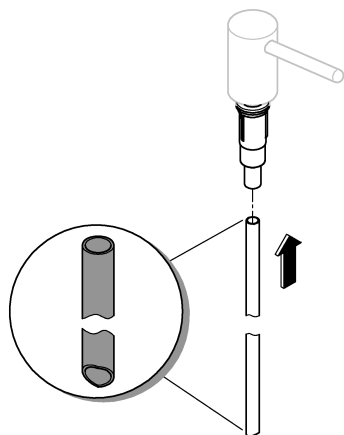


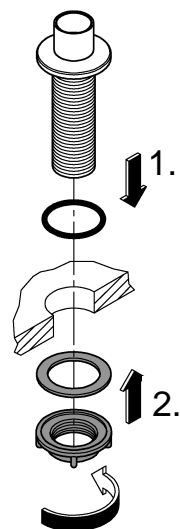
40 535 40 536 40 537 40 553



1.



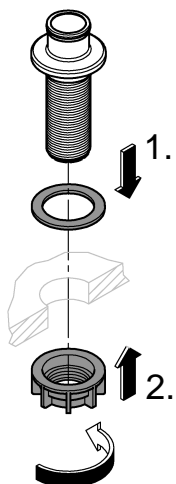
2a.



40 535
40 536
40 537
40 553

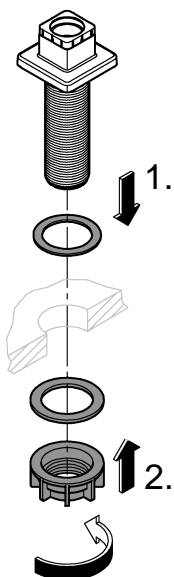
2b.

40 933

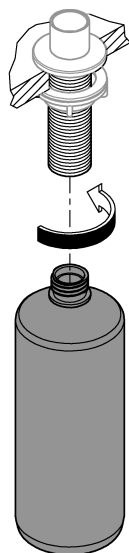


2c.

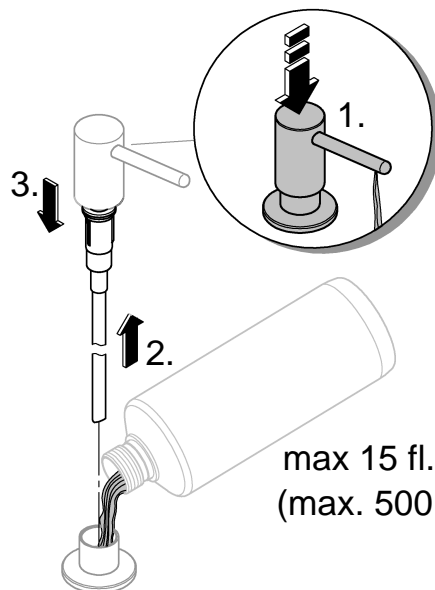
40 934



3.



4.



max 15 fl. oz.
(max. 500 ml)