

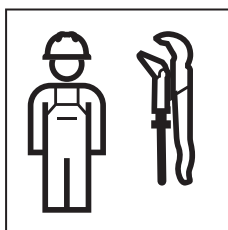


INSTALLATION MANUAL

MONTAGEANLEITUNG
INSTRUCTIONS DE MONTAGE
ISTRUZIONI PER IL MONTAGGIO

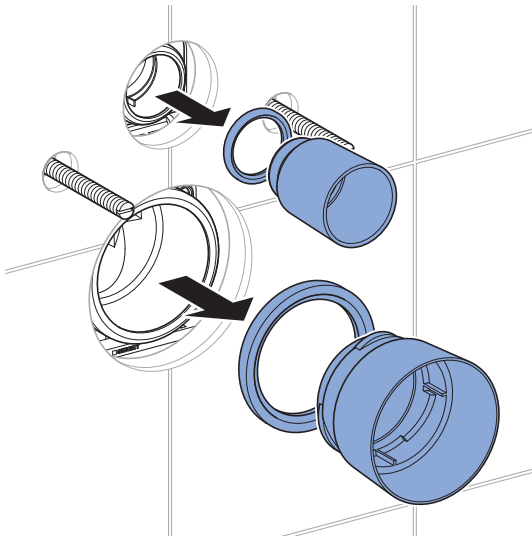


996.243.00.0(06)

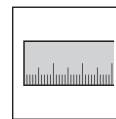
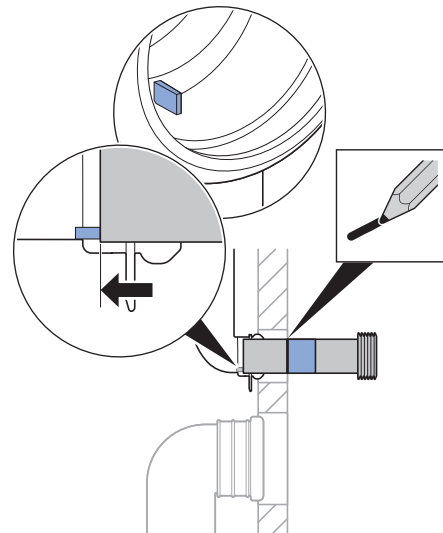
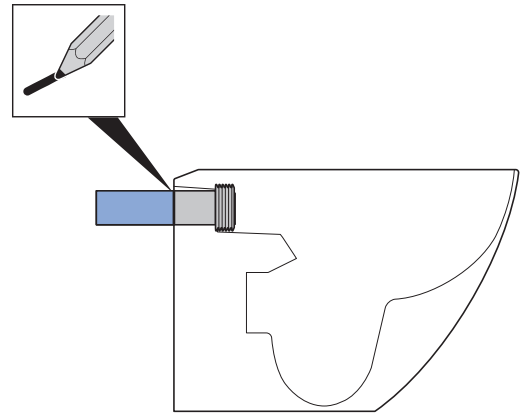
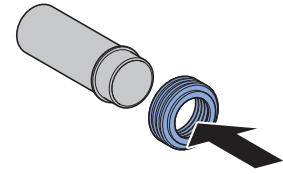




1

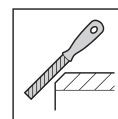
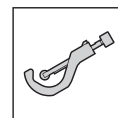


2

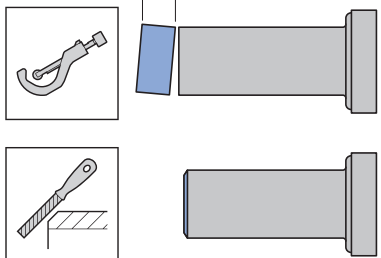
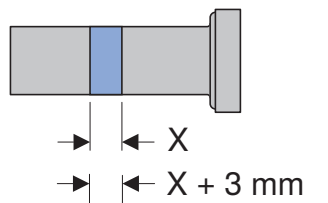
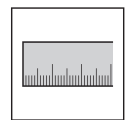
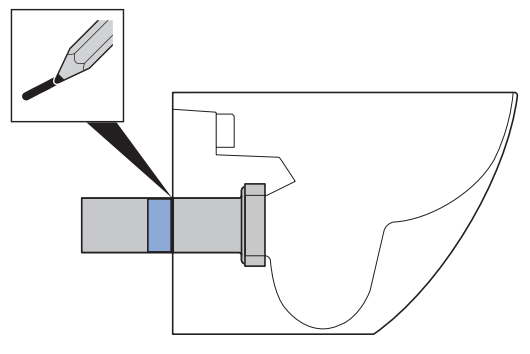
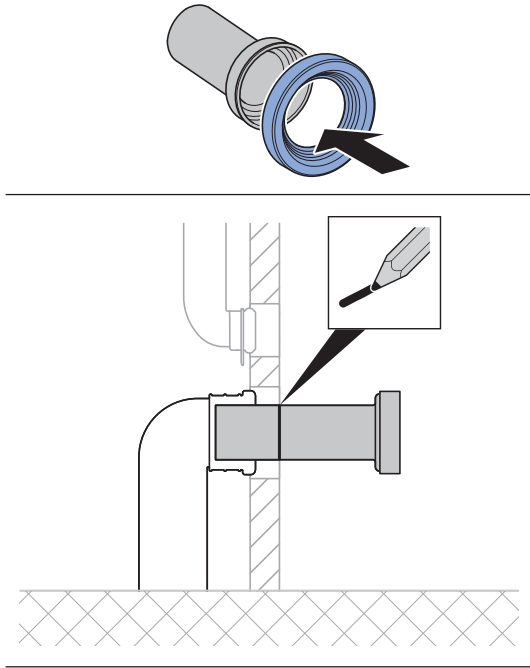


→ ← X

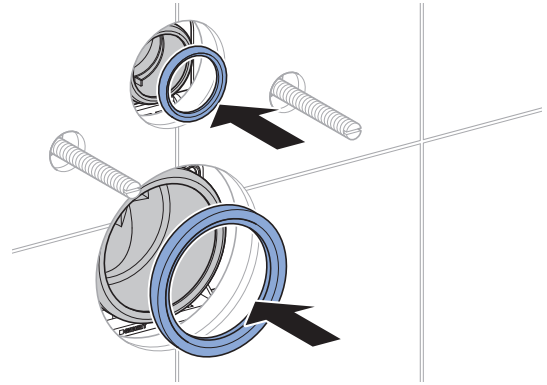
→ ← X + 3 mm



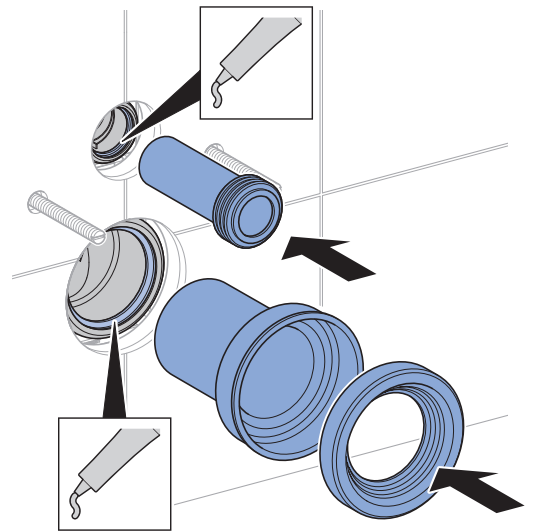
3



4



5

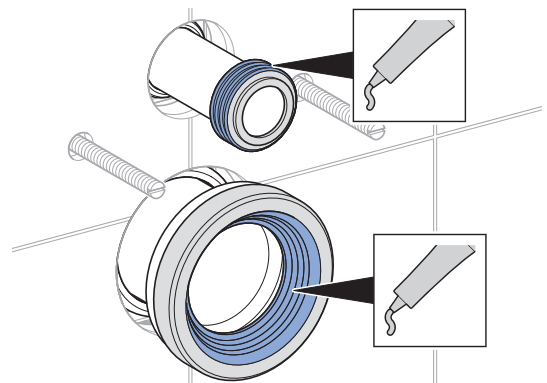


i

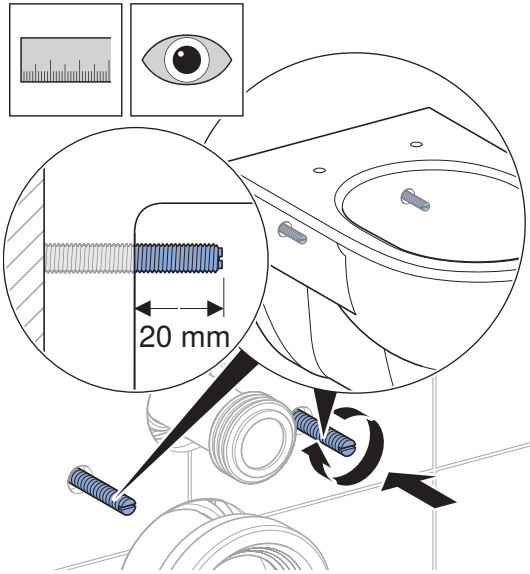


Installation Manual

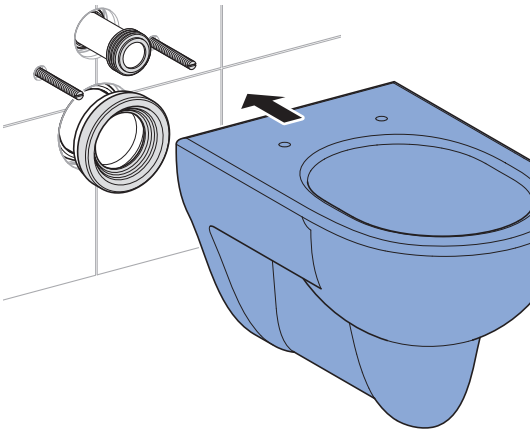
6



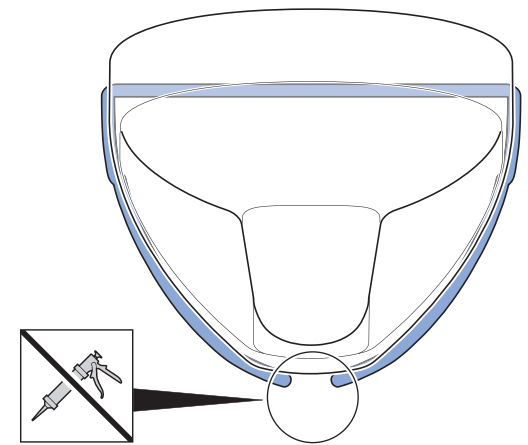
7



8



9



Geberit International AG
 Schachenstrasse 77, CH-8645 Jona
 documentation@geberit.com
 www.geberit.com