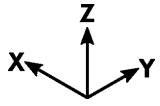


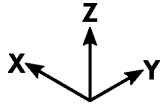
COMO SZZ 120



X: 0 mm

Y: 0 mm

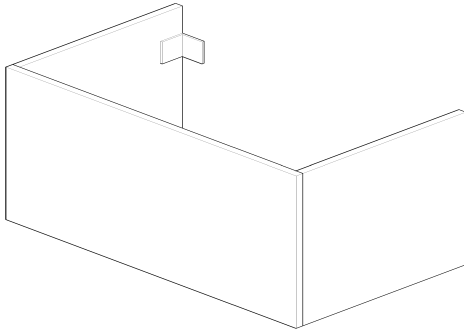
Z: 0 mm



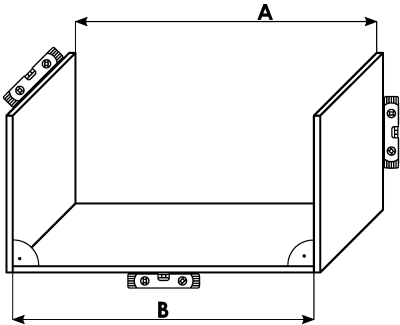
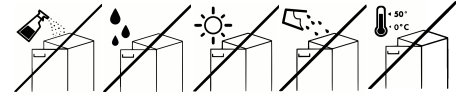
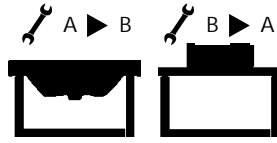
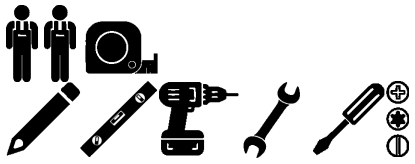
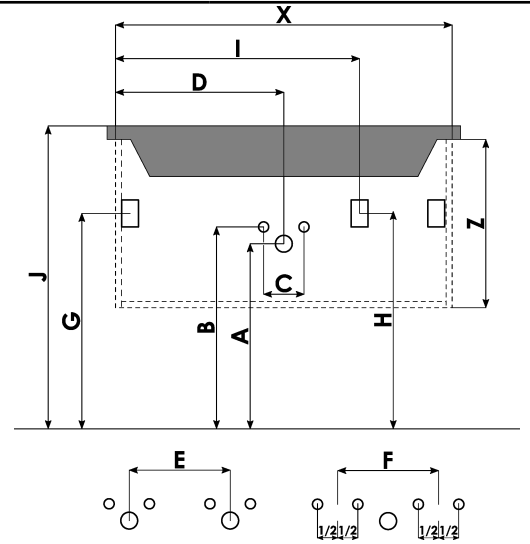
X: 1200 mm

Y: 520 mm

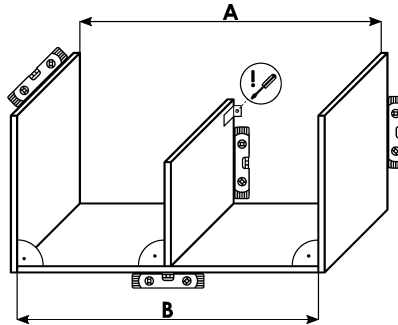
Z: 338 mm



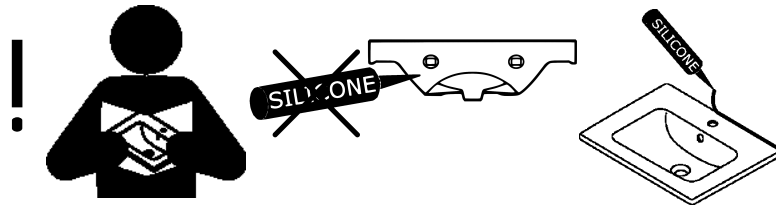
- A 550 mm
- B 600 mm
- C 80-120 mm
- D 600 mm
- E --- mm
- F --- mm
- G 766 mm
- H --- mm
- I --- mm
- J 860 mm
- M mm
- N mm



! A=B



A



B

