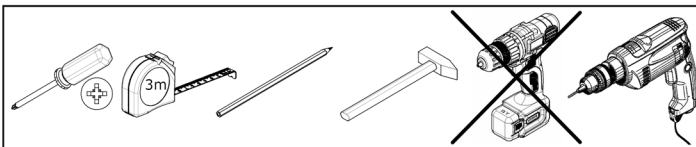
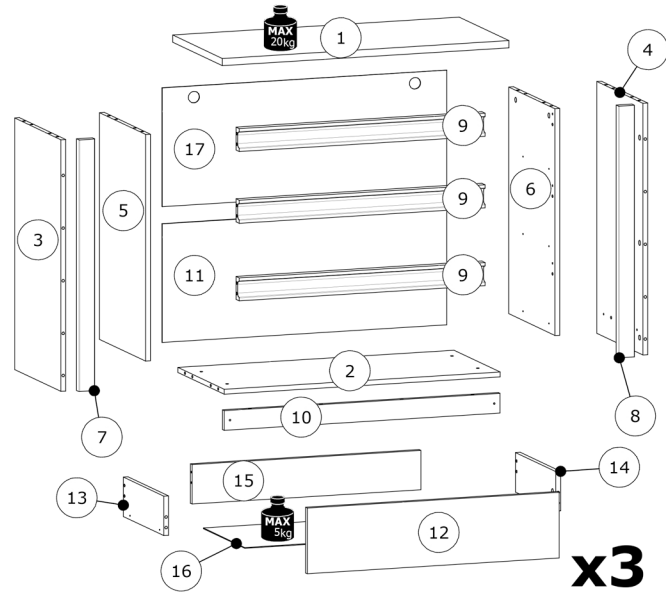
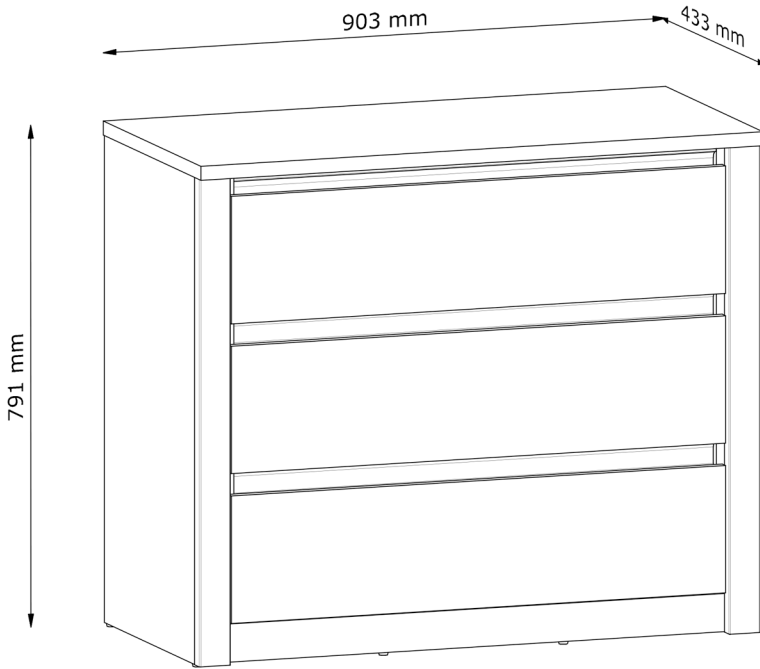


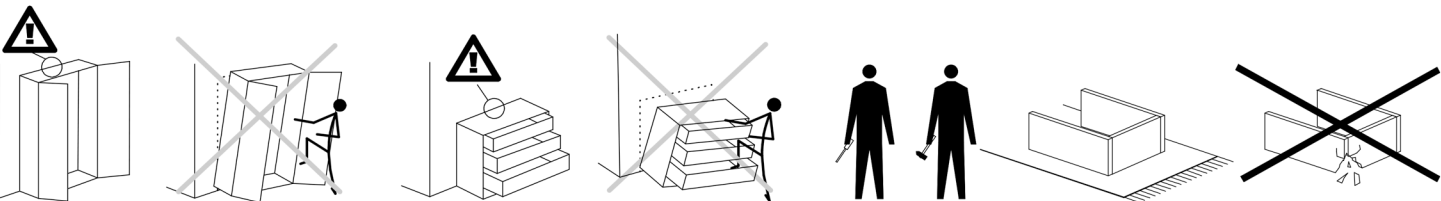
MONTANA

K3S



A x 36 Ø8x35mm	F x 6 Ø8x1,5mm	G x 72 26mm	H x 1 896mm	I x 1 4mm HEX
J x 6 Ø21mm	K x 16 Ø6,4x50mm	M x 26 Ø15x12mm	PK x 6 350mm	T x 26 Ø5x38mm
T4 x 2 75x28x16 mm	W16 x 34 Ø3,5x16mm	W30 x 2 Ø4x30mm	Y5 x 6 Ø15x20mm	

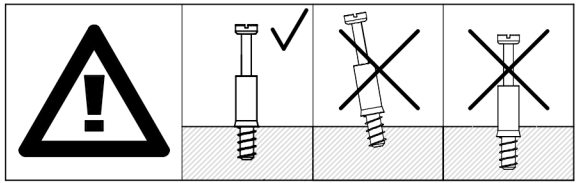
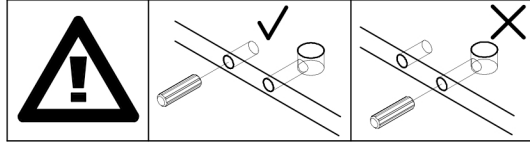
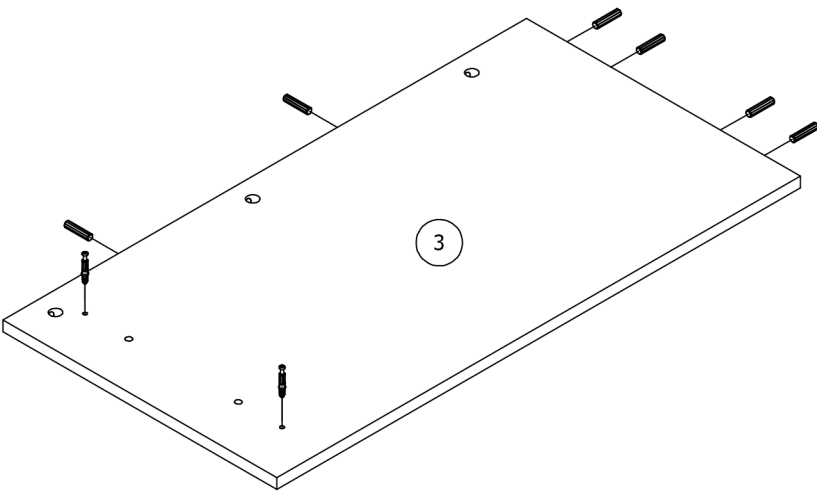
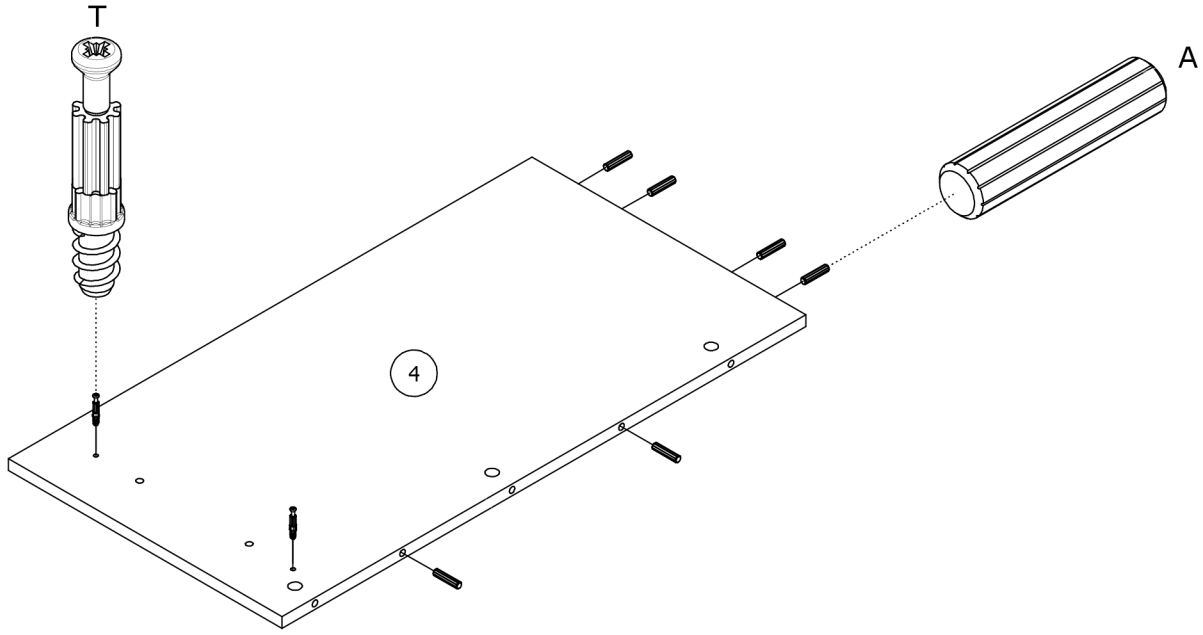
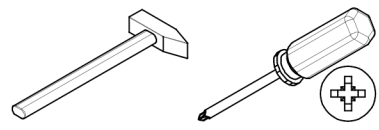
No.	L[mm]	W[mm]	H[mm]	PCS	BOX
1	903	430	22	1	1/2
2	870	400	15	1	1/2
3	765	400	15	1	2/2
4	765	400	15	1	2/2
5	689	400	15	1	1/2
6	689	400	15	1	1/2
7	765	50	22	1	2/2
8	765	50	22	1	2/2
9	775	70	28	3	2/2
10	869	60	15	1	1/2
11	897	361	2,5	1	1/2
12	794	200	15	3	2/2
13	350	120	15	3	1/2
14	350	120	15	3	1/2
15	721	120	15	2	2/2
15	721	120	15	1	1/2
16	746	358	2,5	3	1/2
17	897	361	2,5	1	1/2



1

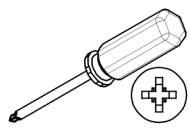
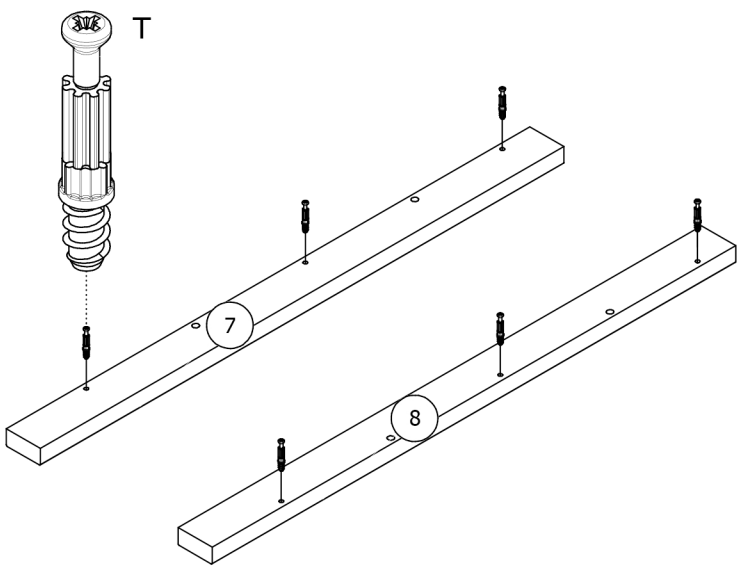
A x 12
Ø8x35mm

T x 4
Ø5x38mm

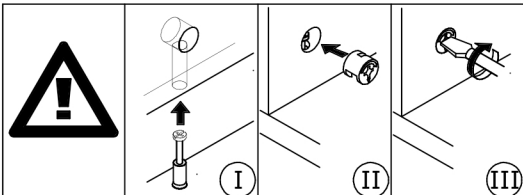
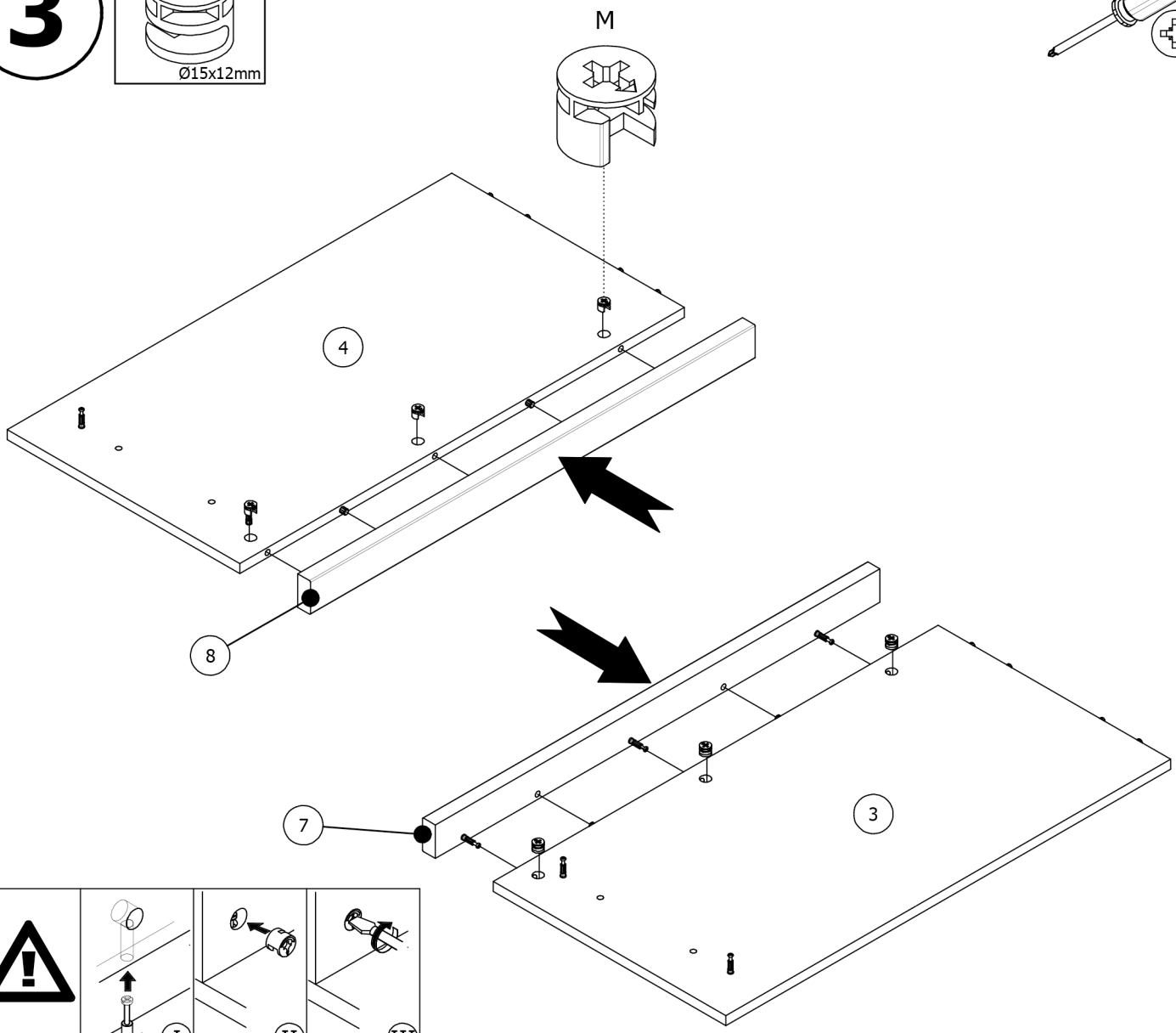
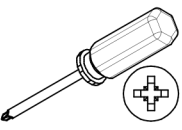
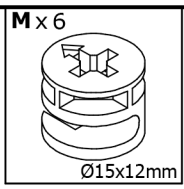


2

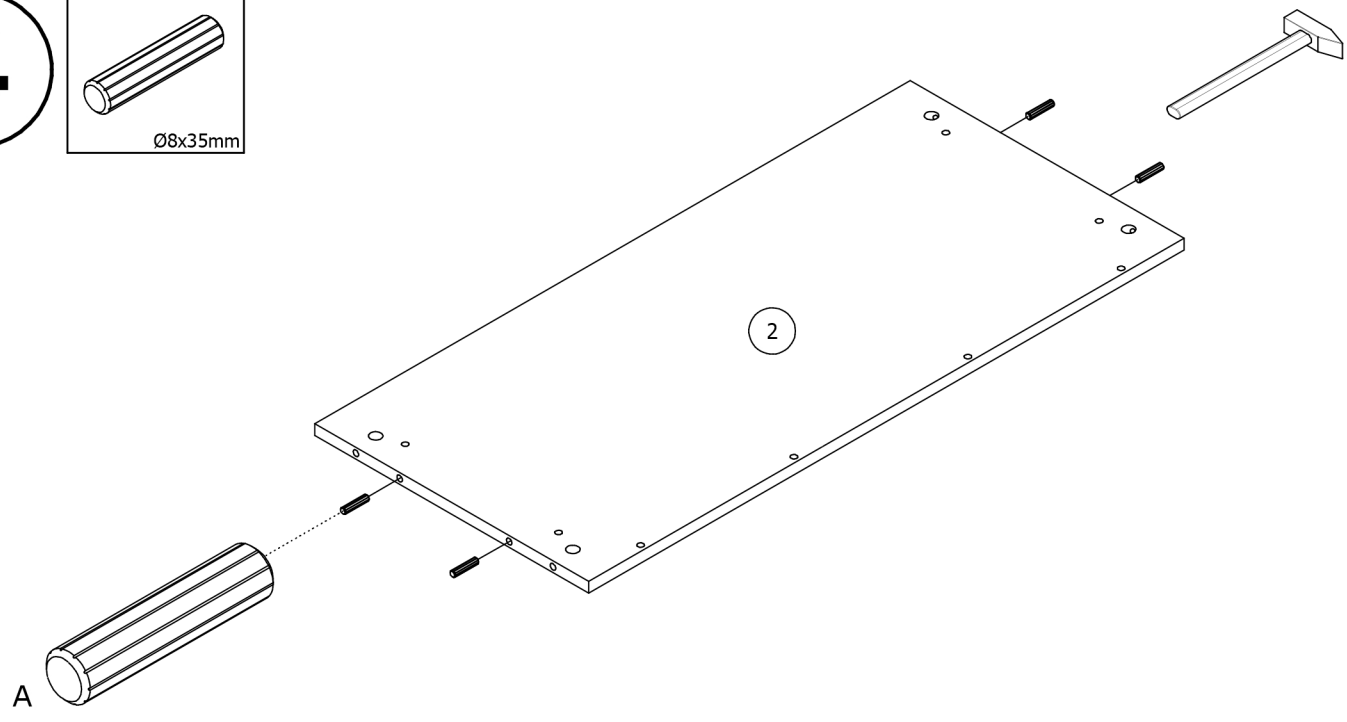
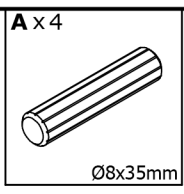
T x 6
Ø5x38mm



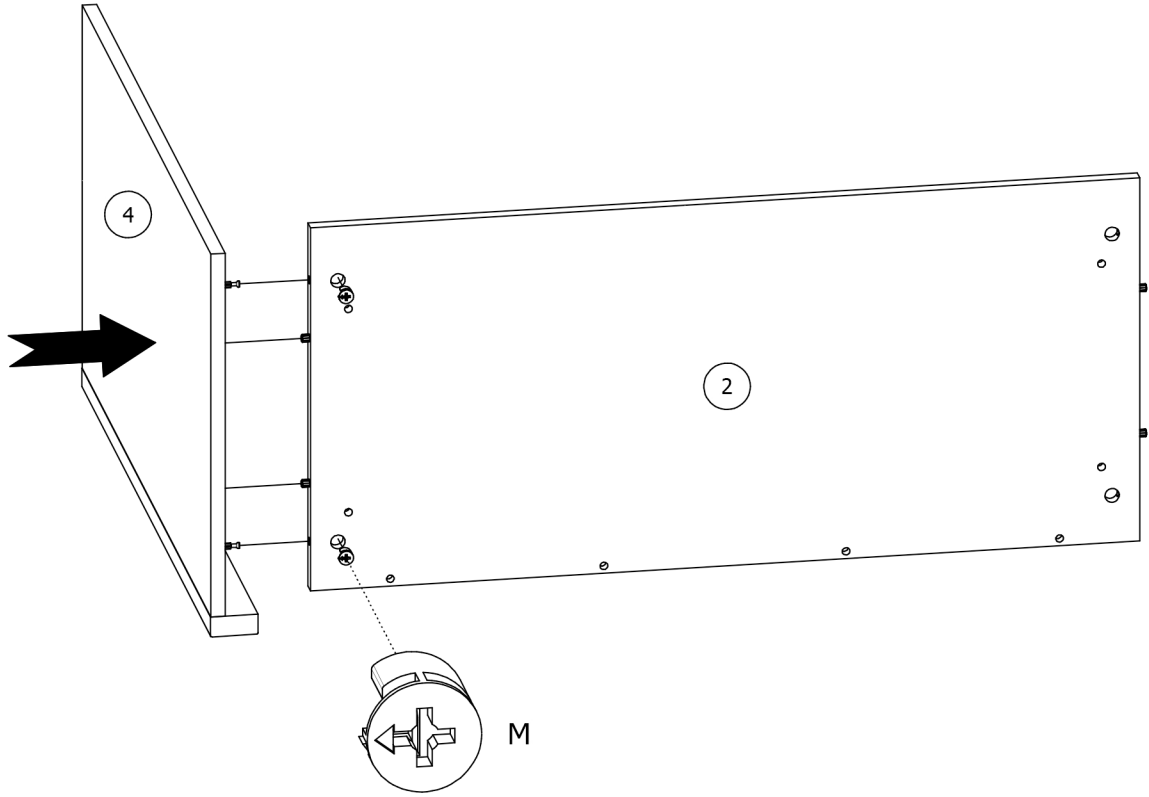
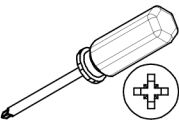
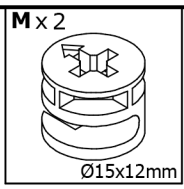
3



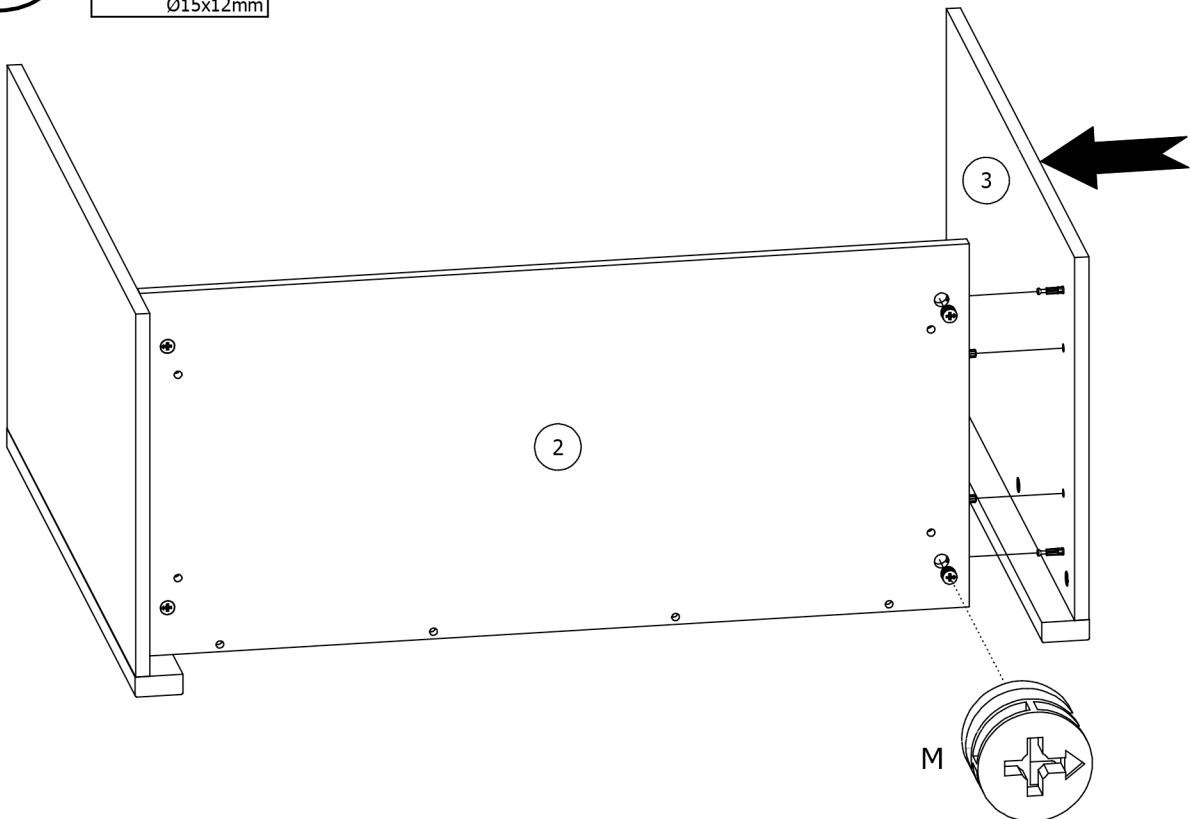
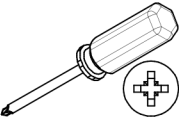
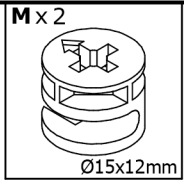
4



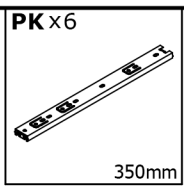
5



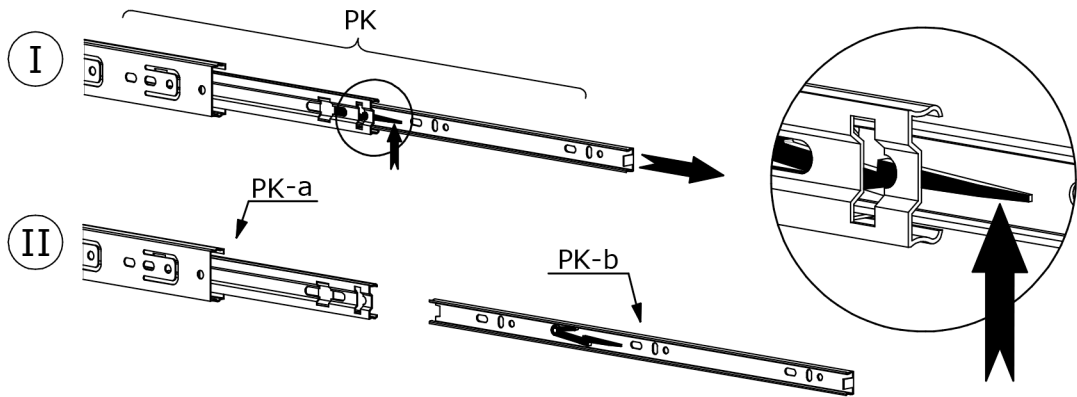
6



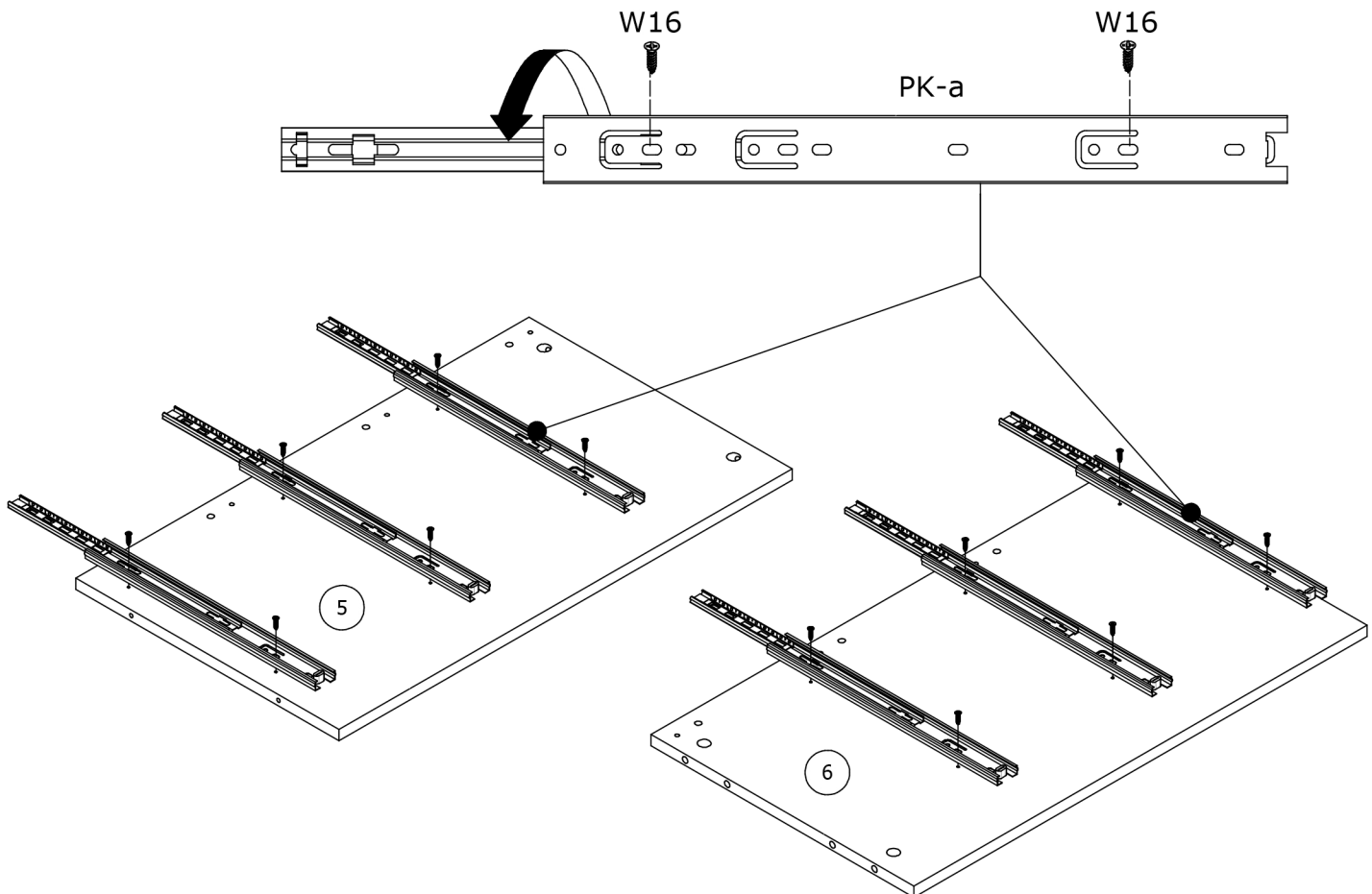
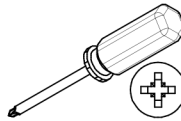
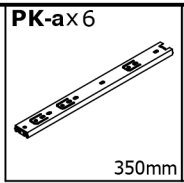
7



PK = PK-a + PK-b

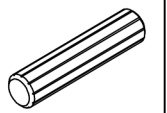


8



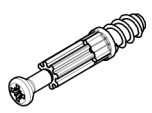
9

A x 4

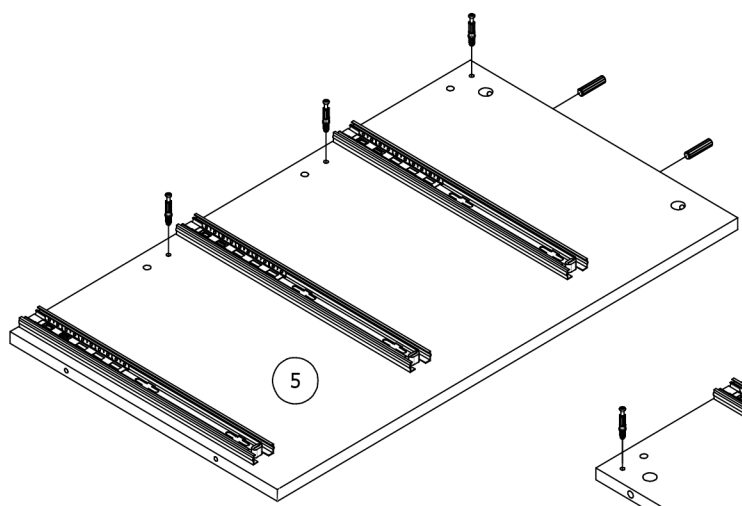
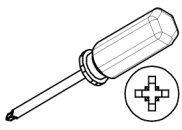
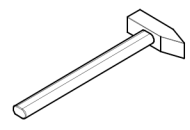


Ø8x35mm

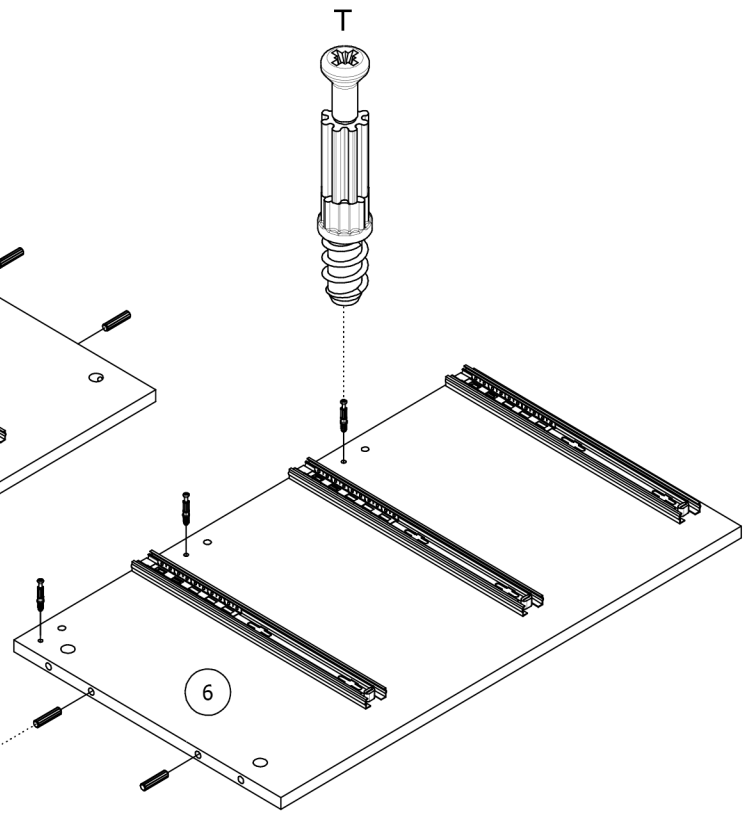
T x 6



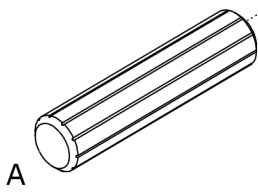
Ø5x38mm



5



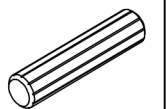
6



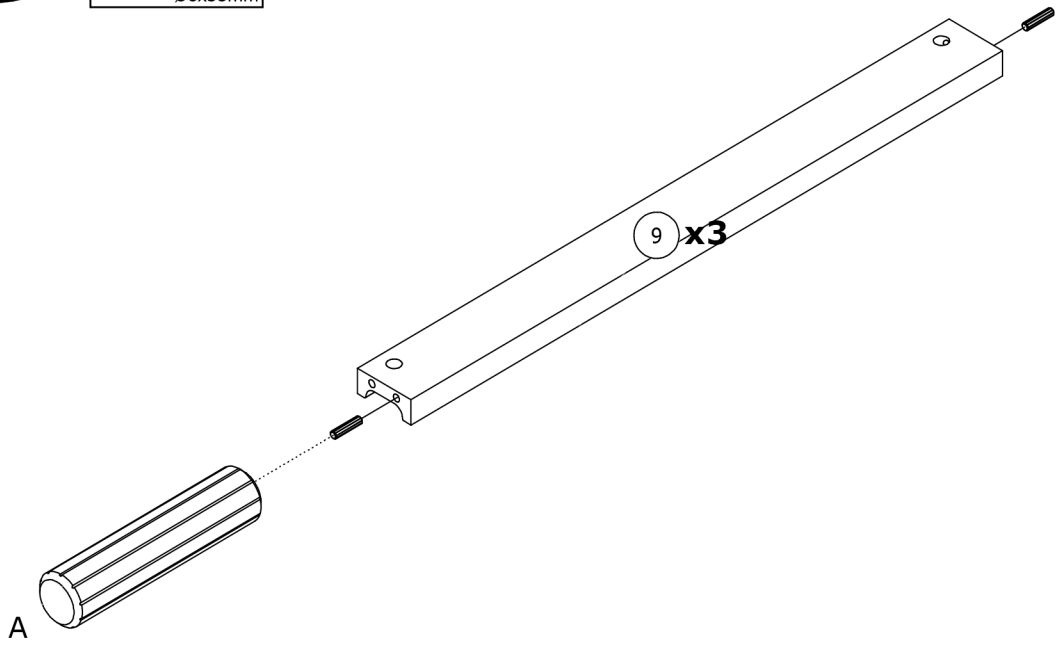
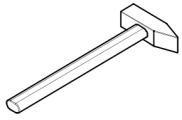
A

10

A x 6



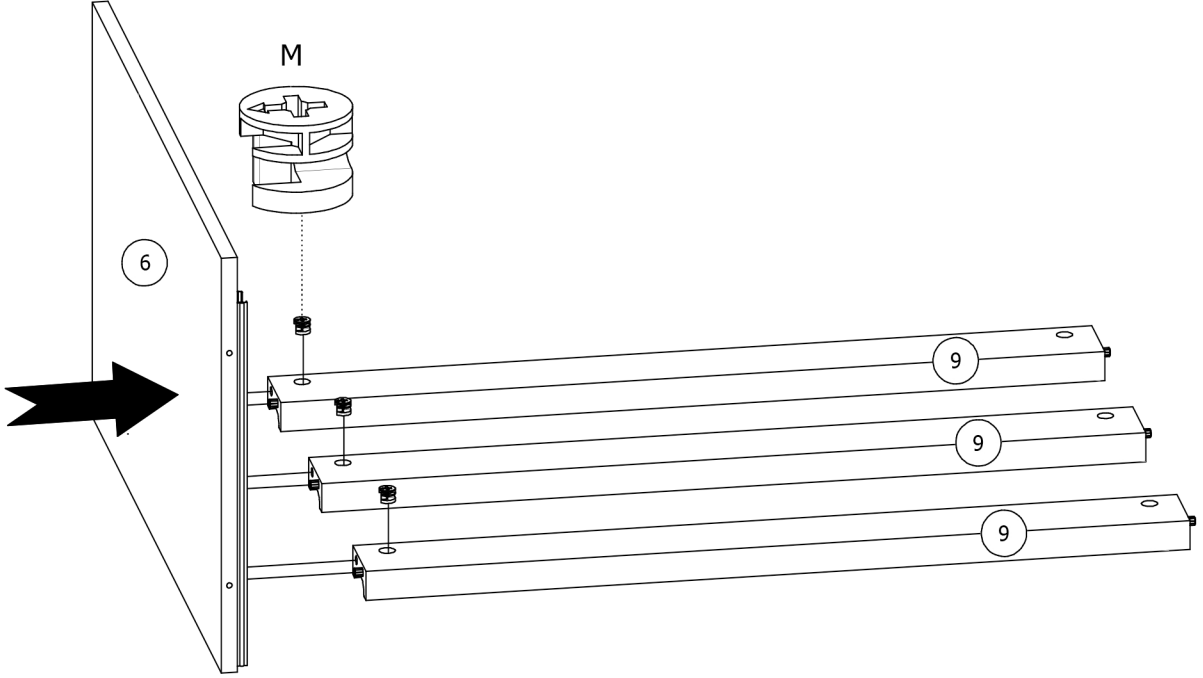
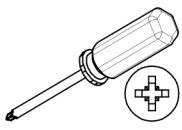
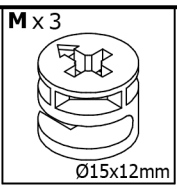
Ø8x35mm



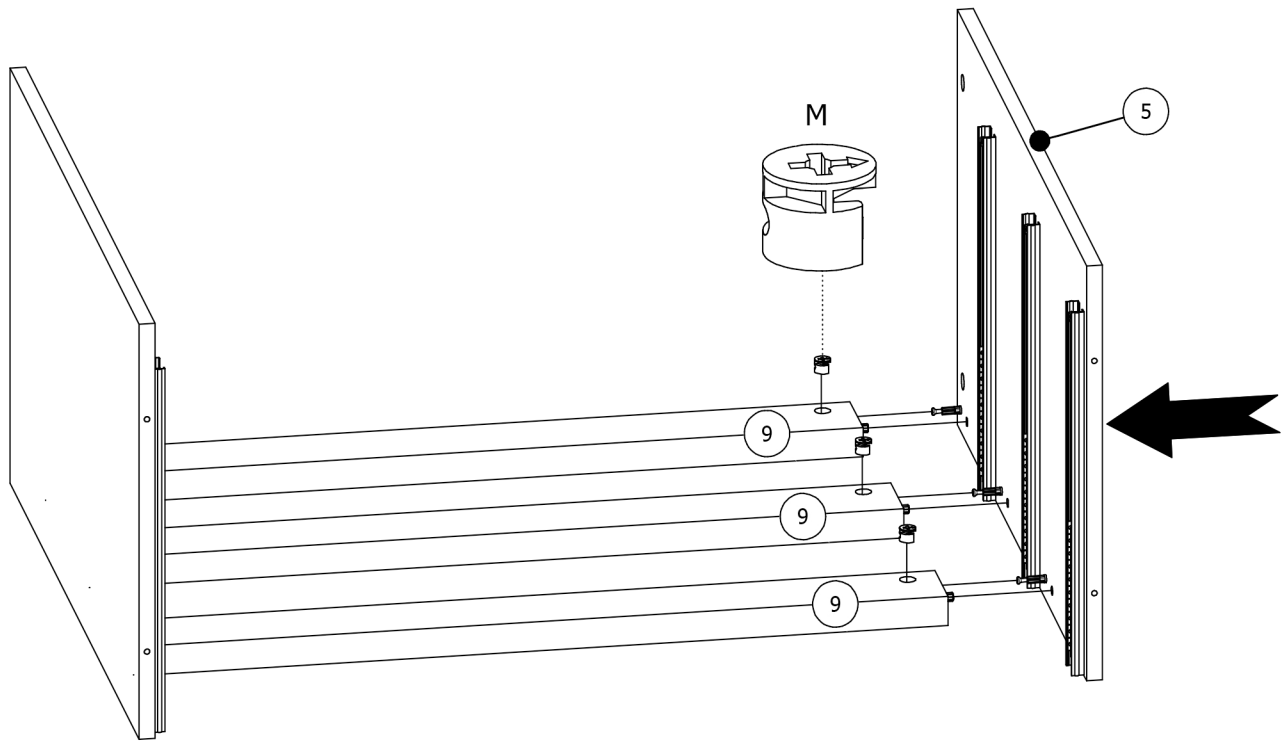
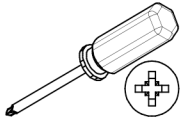
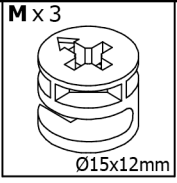
9 x 3

A

11

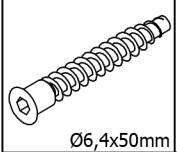


12

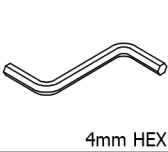


13

K x 4

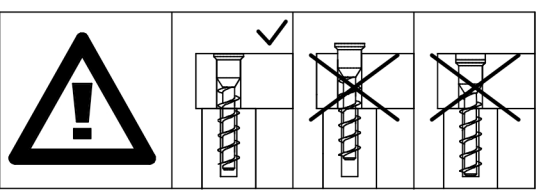
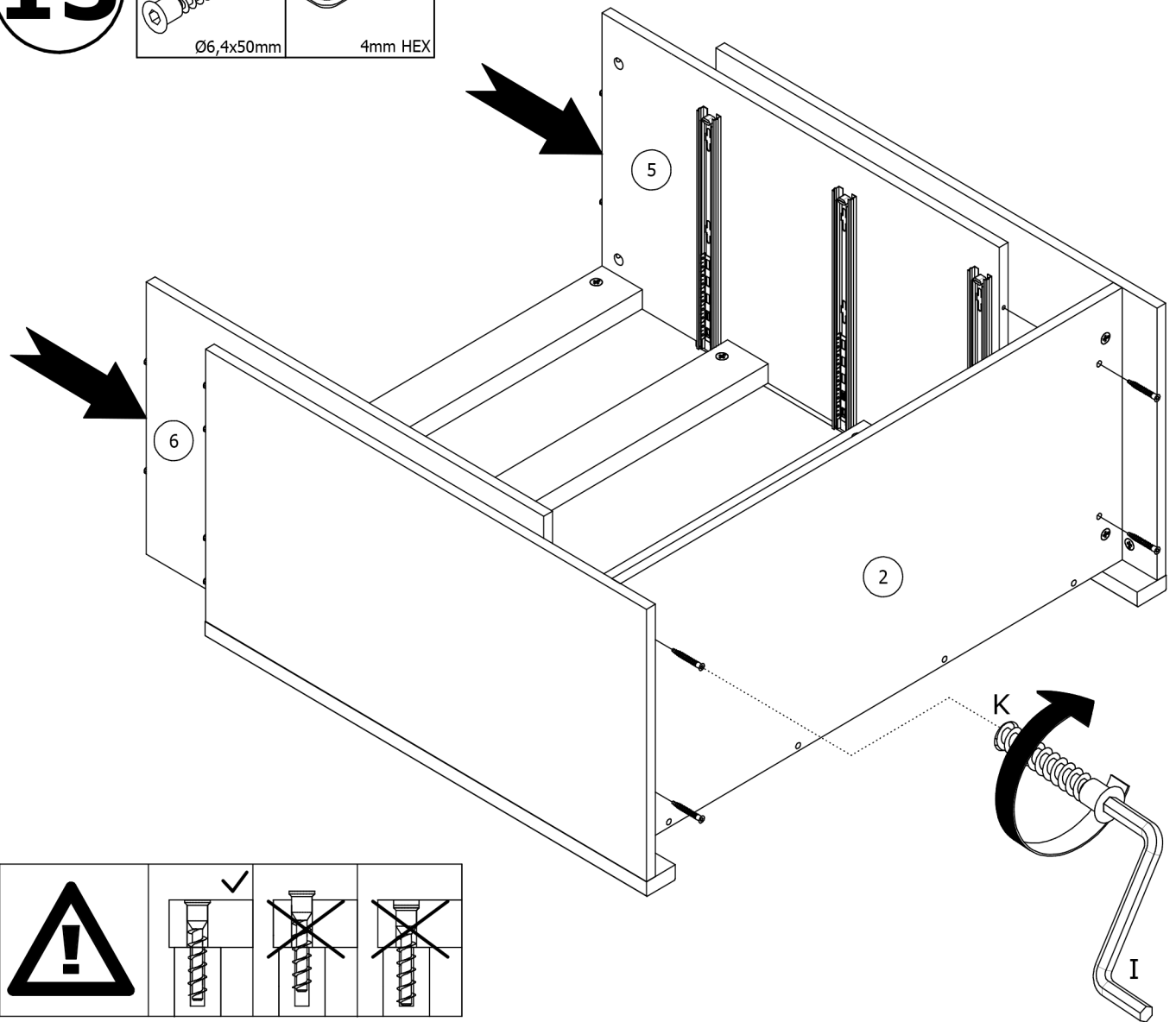


I x 1



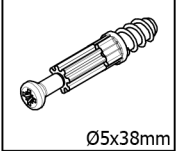
Ø6,4x50mm

4mm HEX

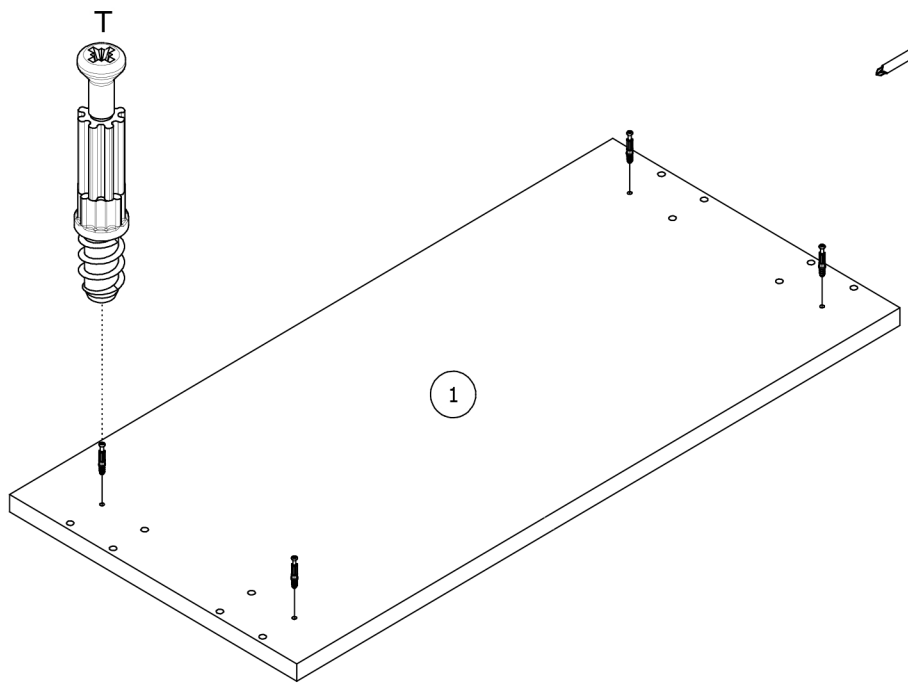


14

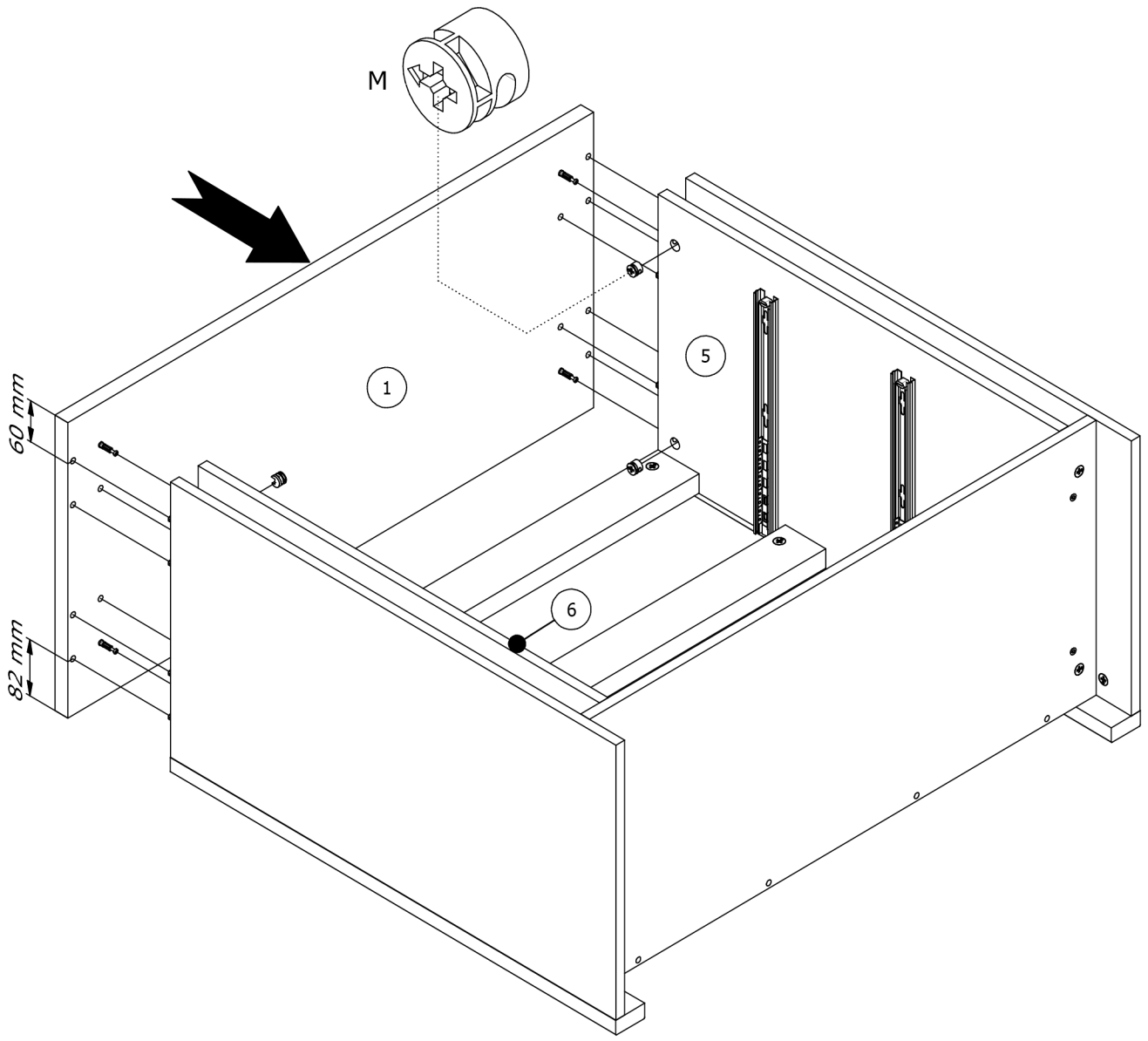
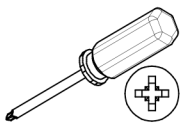
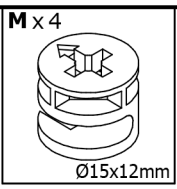
T x 4



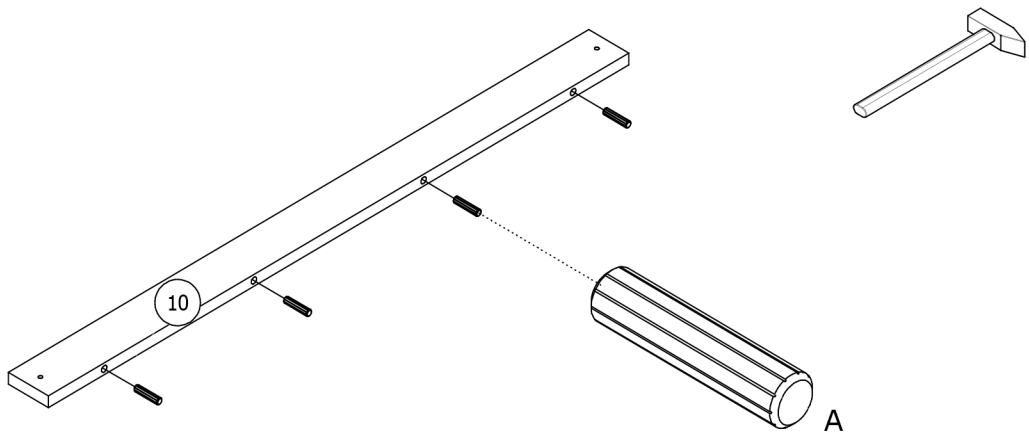
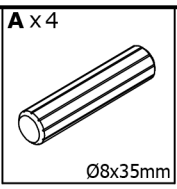
Ø5x38mm



15

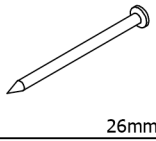


16

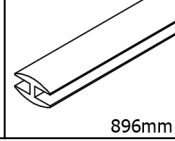


17

G x 30

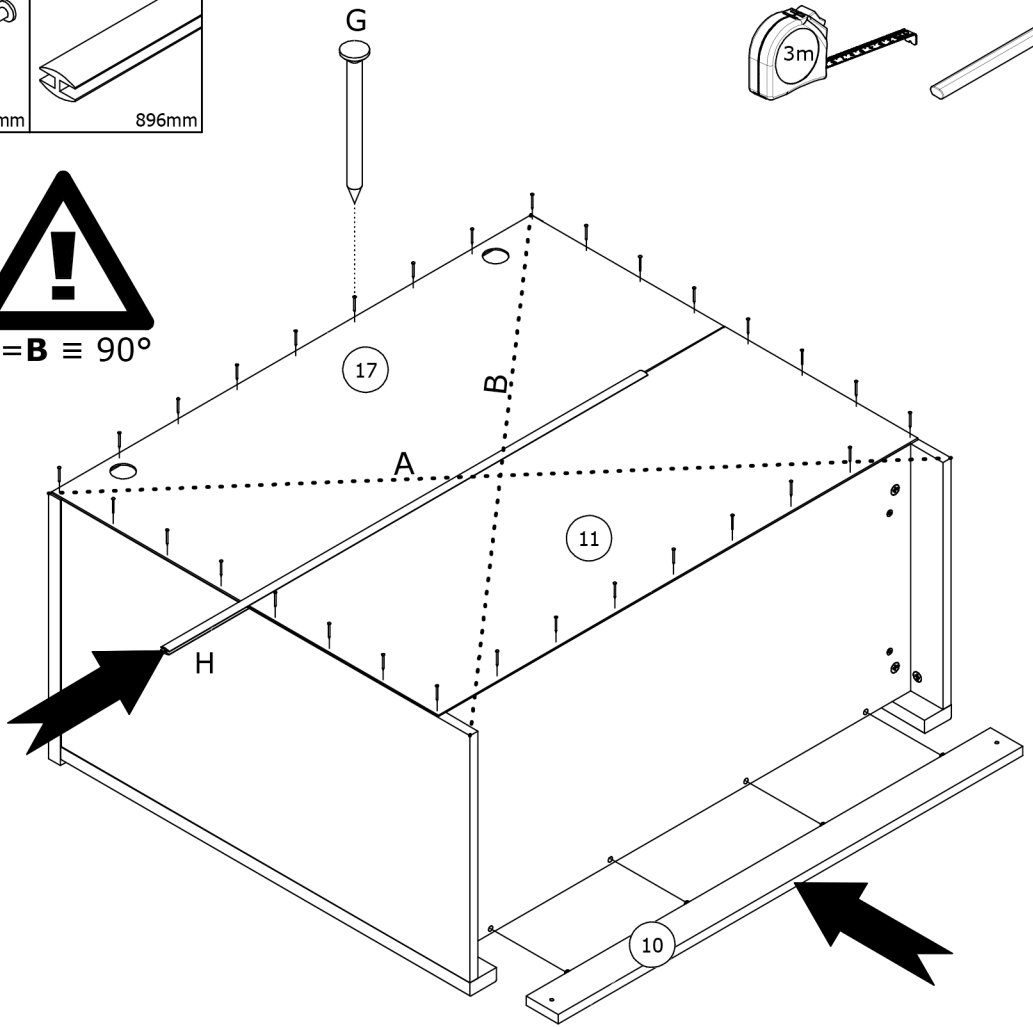
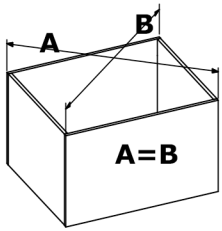
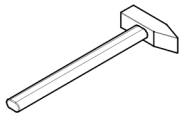
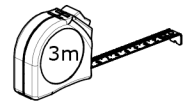


H x 1



26mm

896mm

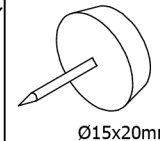


18

W30 x 2

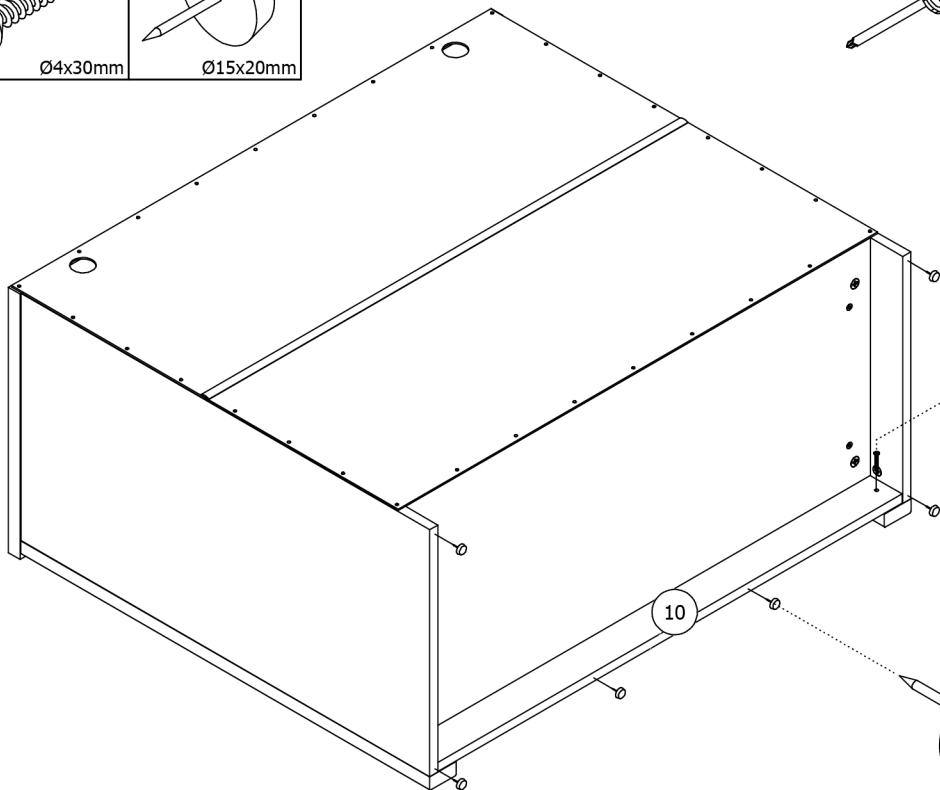
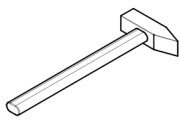
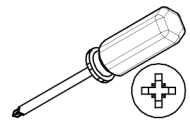


Y5 x 6



Ø4x30mm

Ø15x20mm



W30

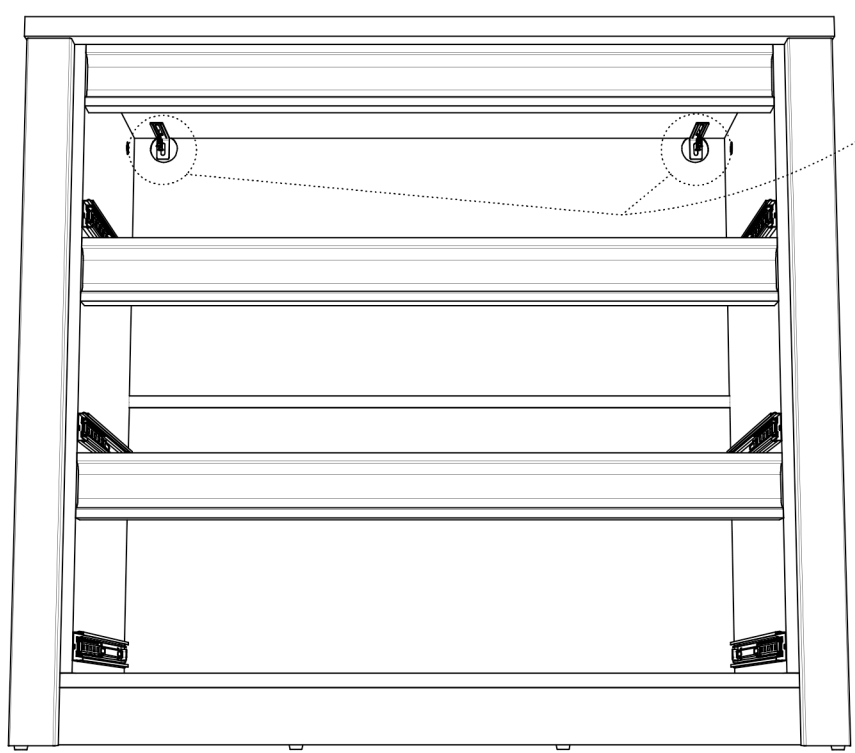
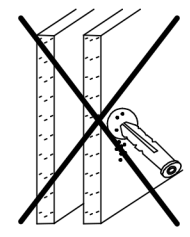
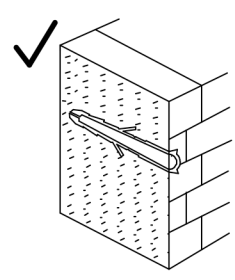
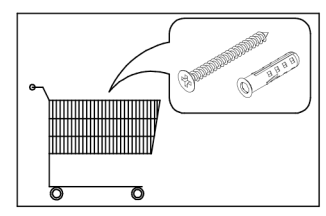
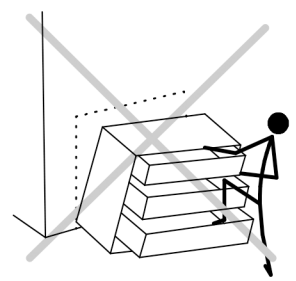
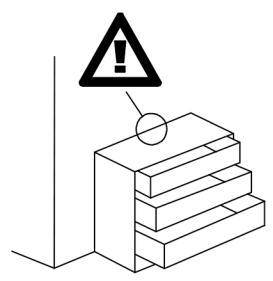
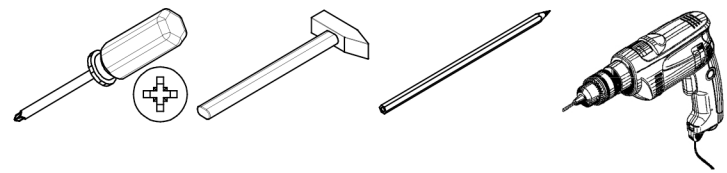


Y5

19

T4 x2
75x28x16 mm

W16 x4
Ø3,5x16mm



- I

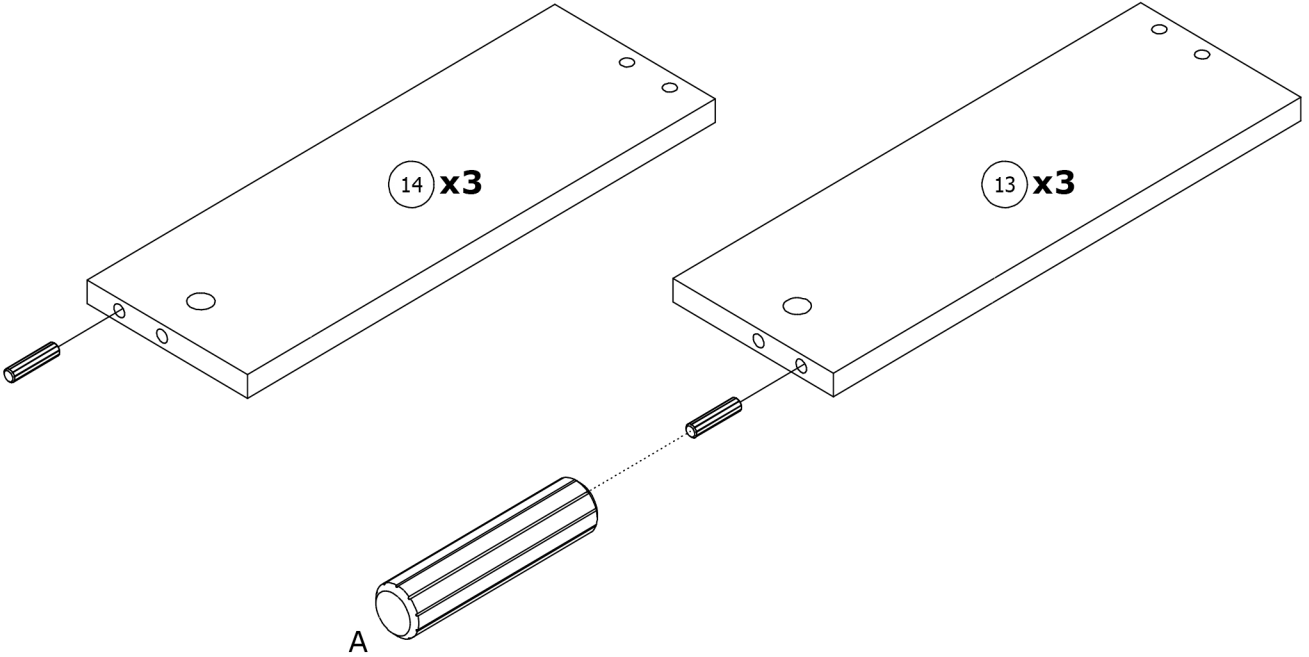
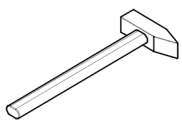
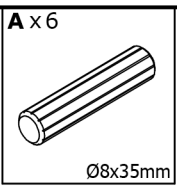
T4
W16
- II
- III
- IV

?
- V

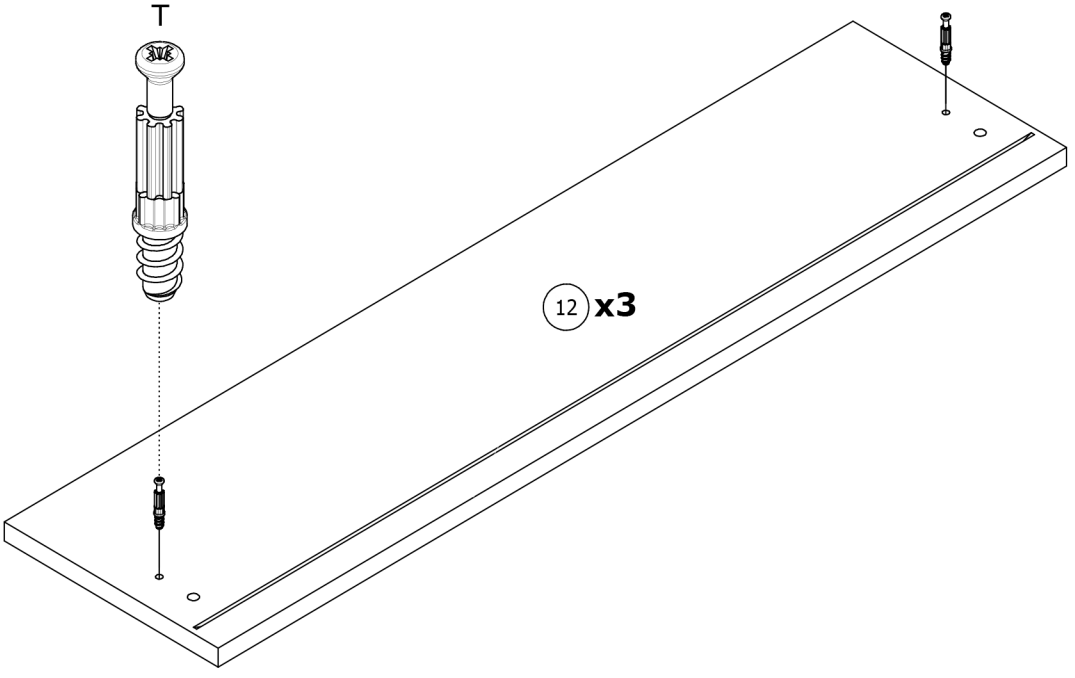
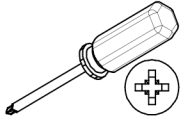
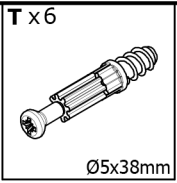
?
- VI

W16

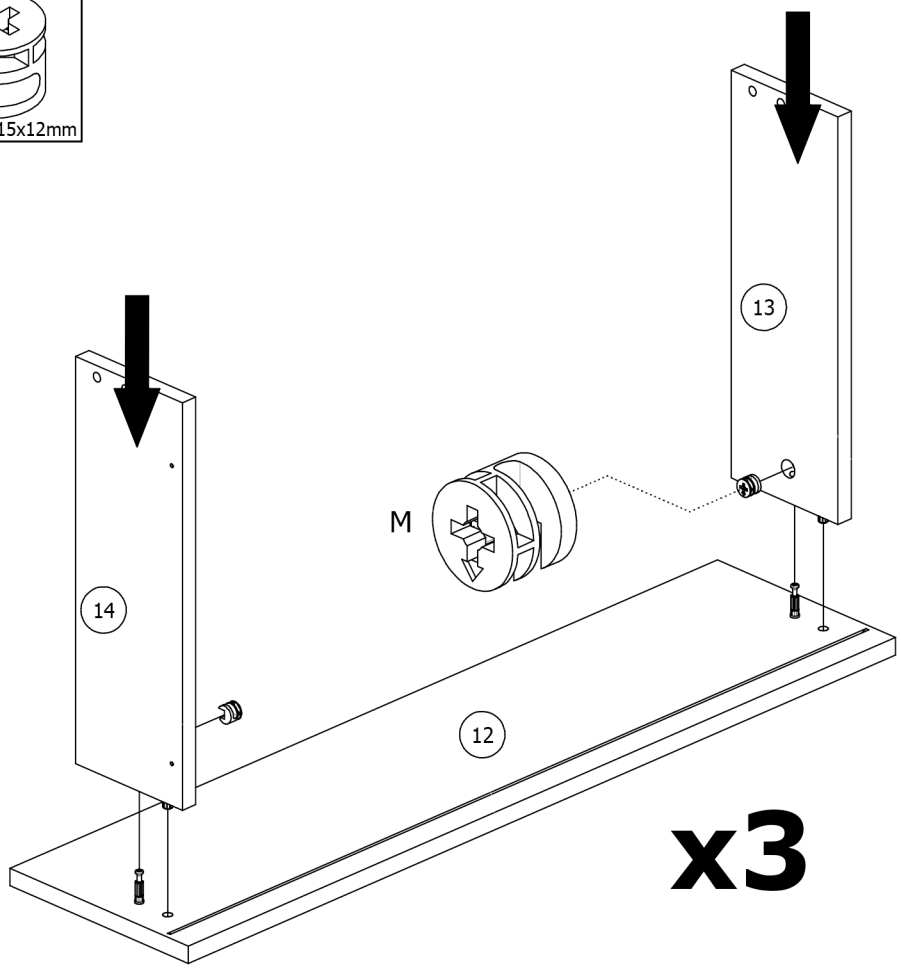
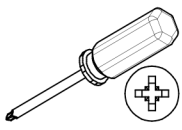
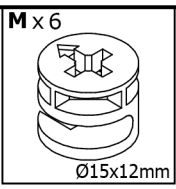
20



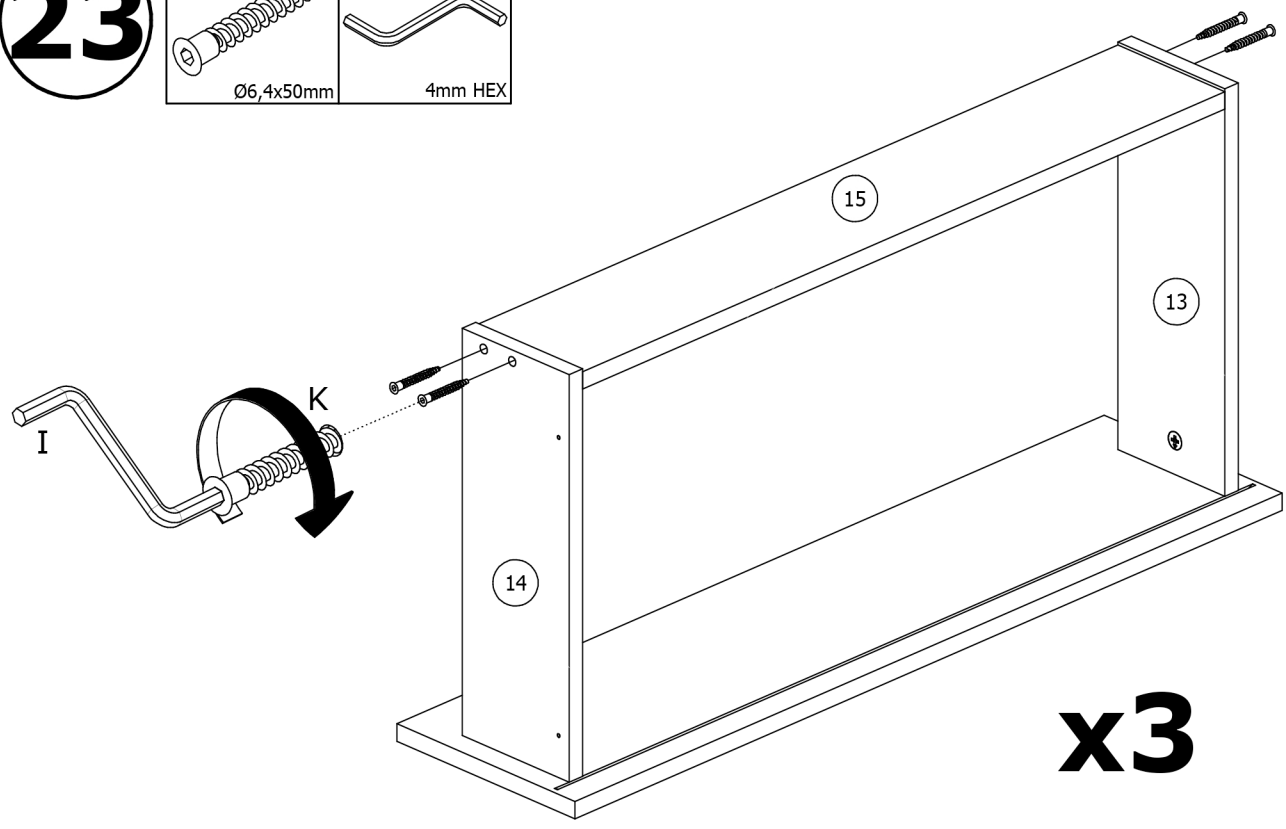
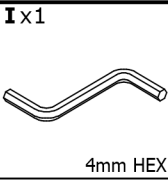
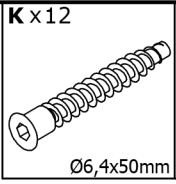
21



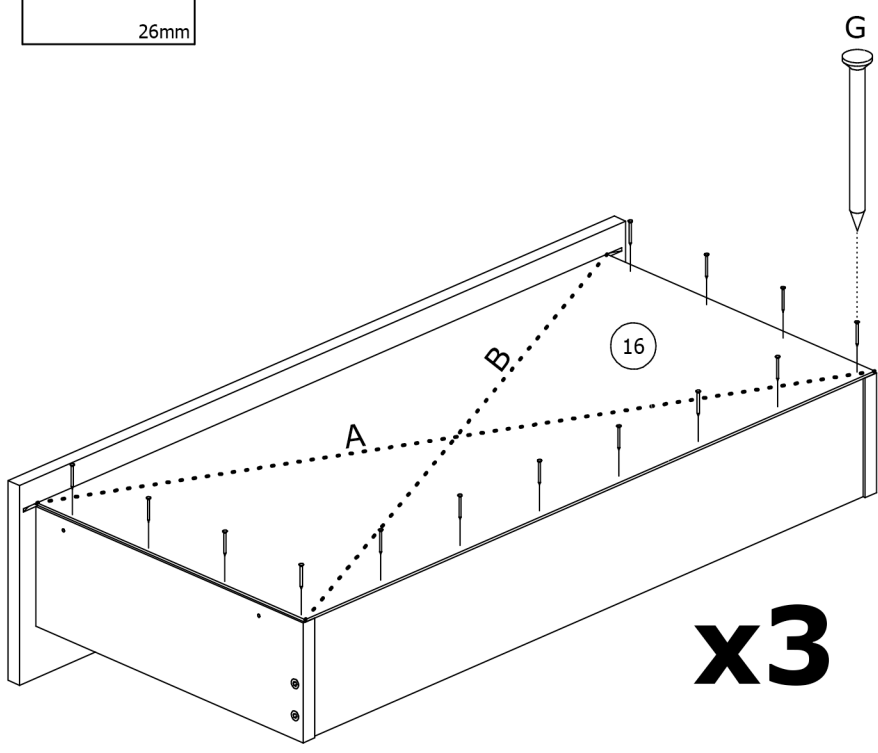
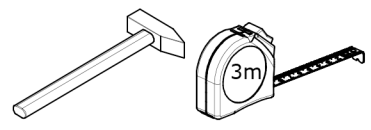
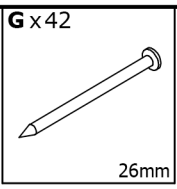
22



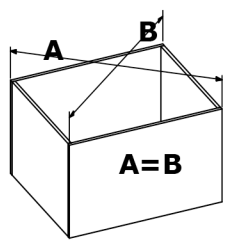
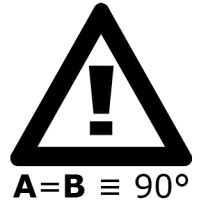
23



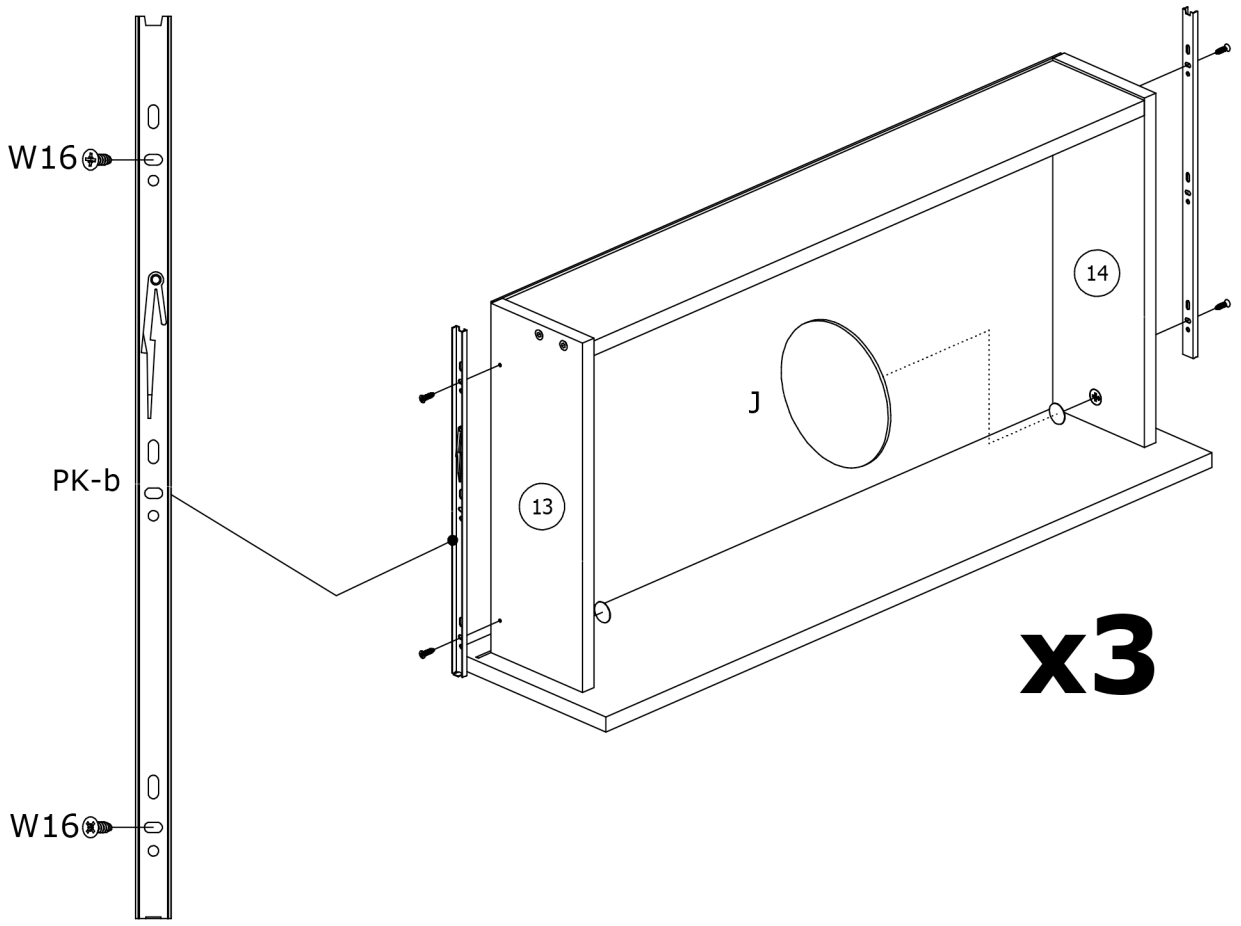
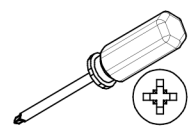
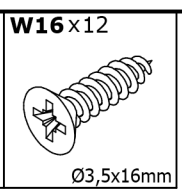
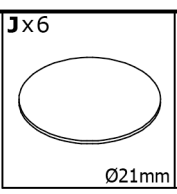
24



x3

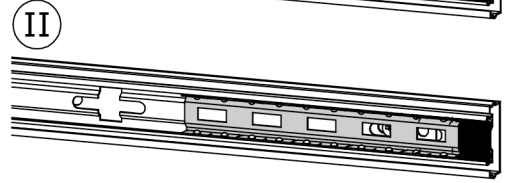
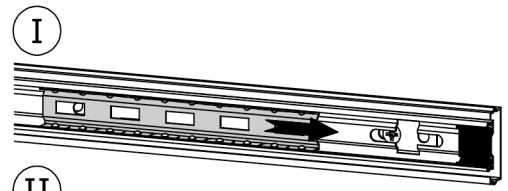
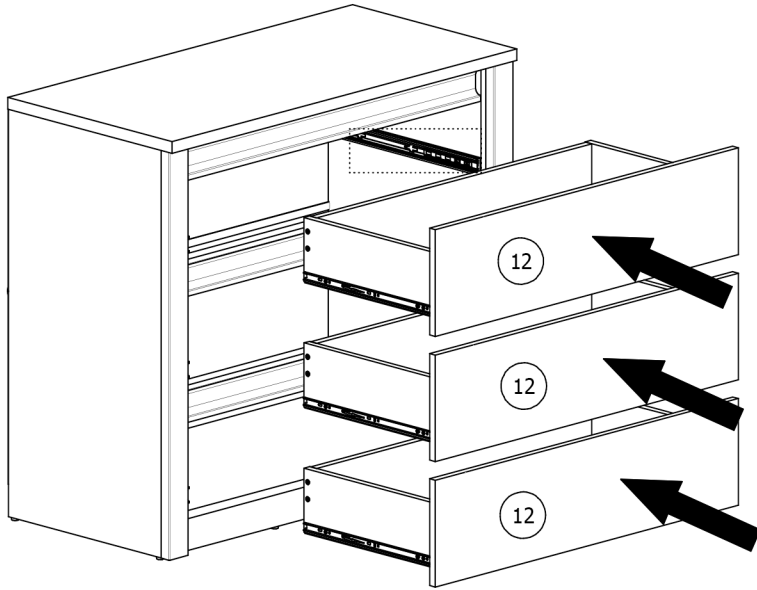


25

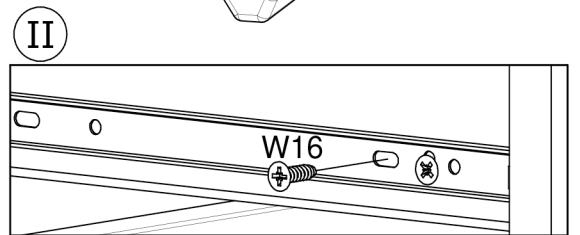
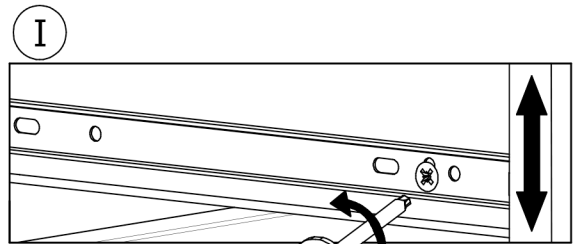
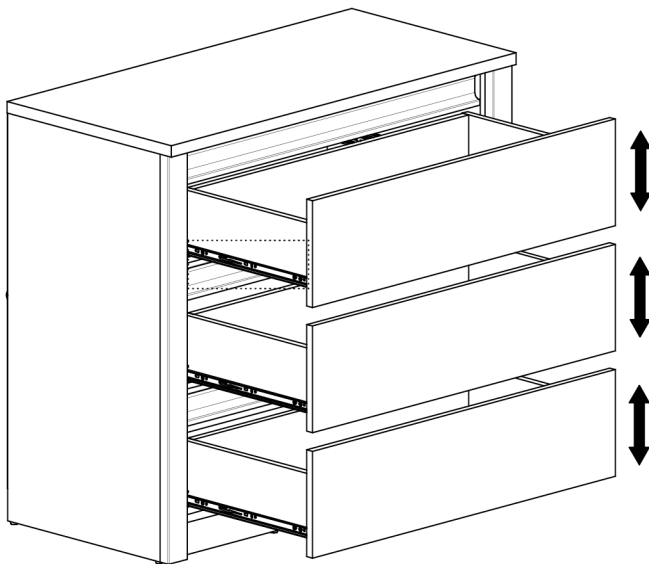
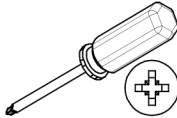


x3

26



27



28

F x 6
Ø8x1,5mm

