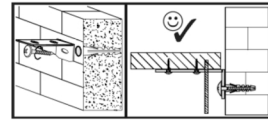
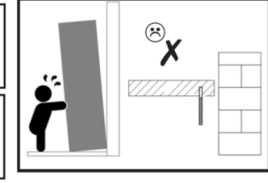
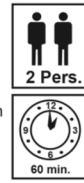
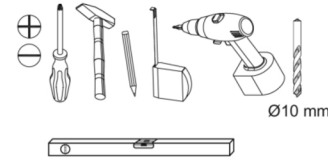
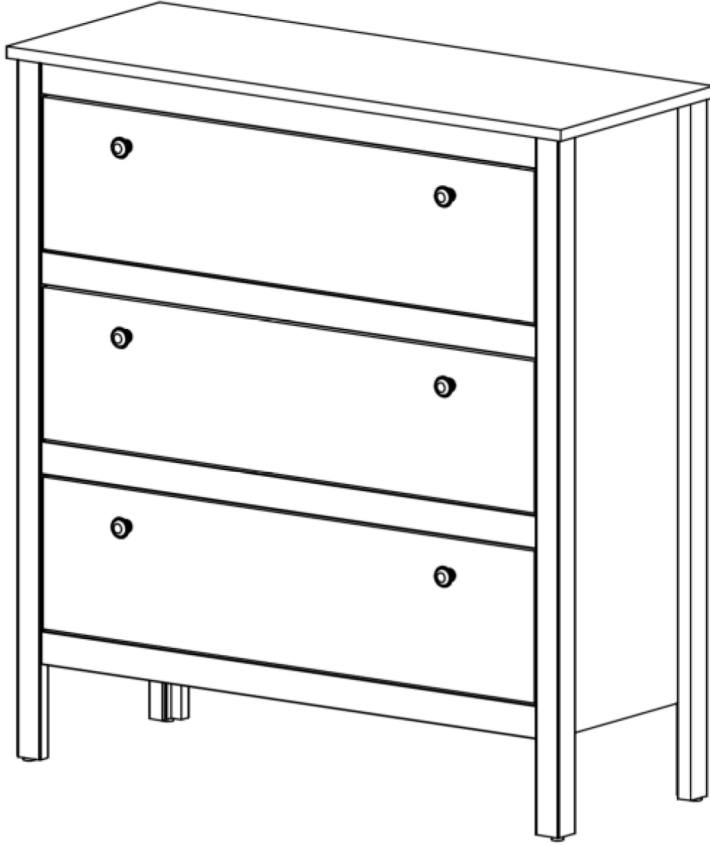
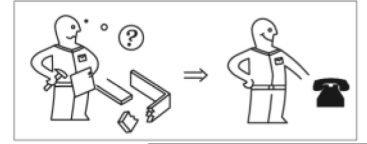
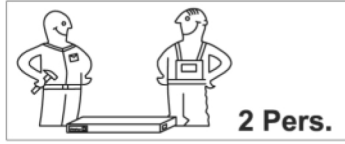


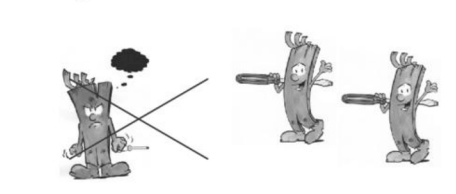
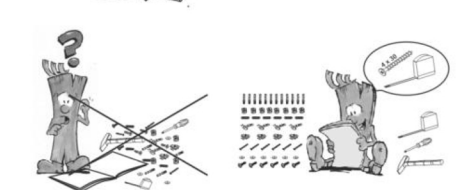
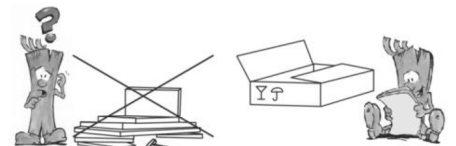
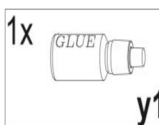
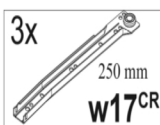
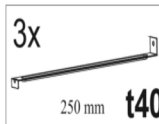
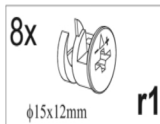
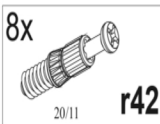
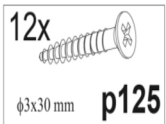
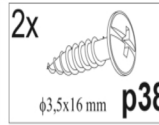
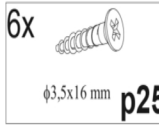
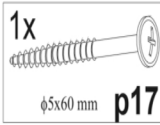
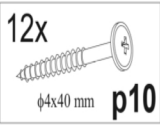
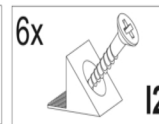
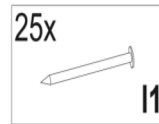
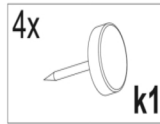
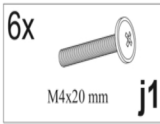
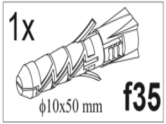
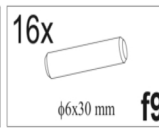
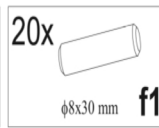
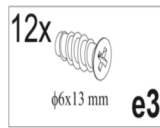
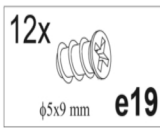
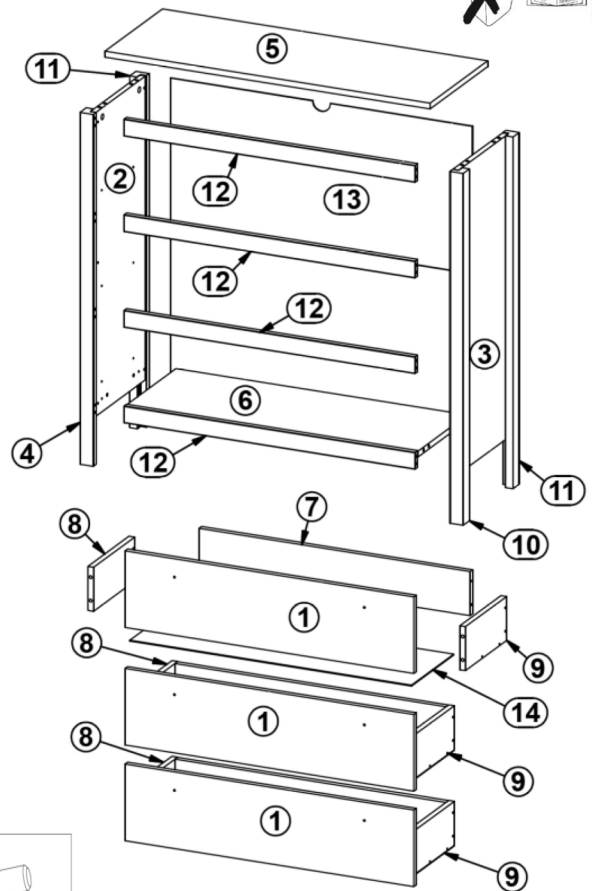
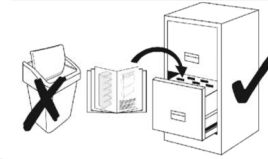
OLJE 3S



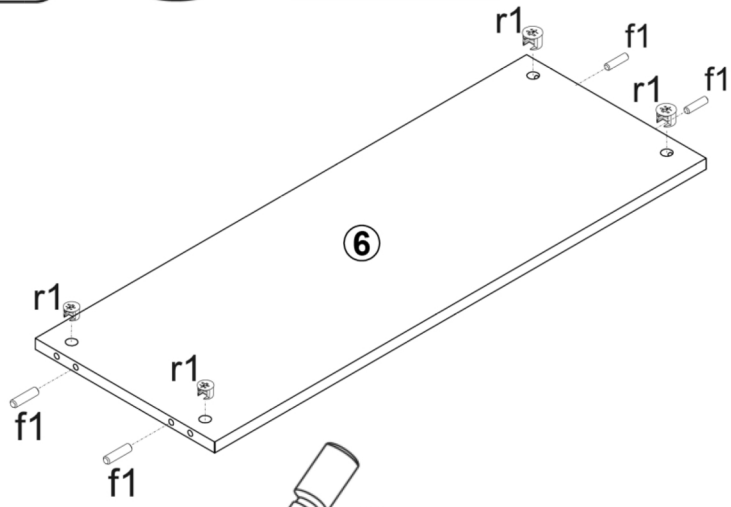
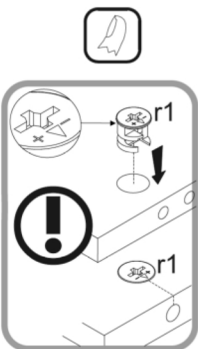
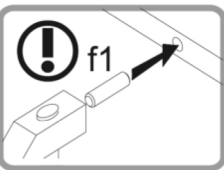
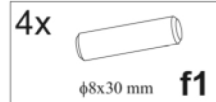
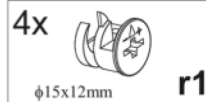
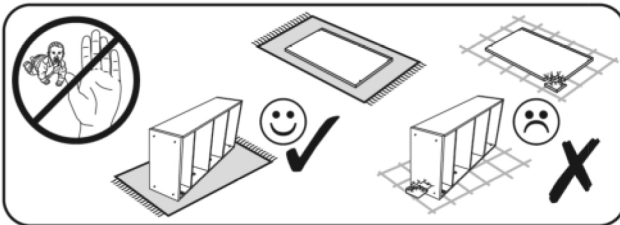
max.



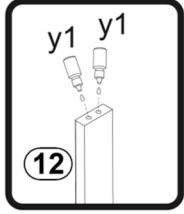
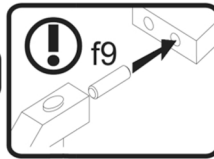
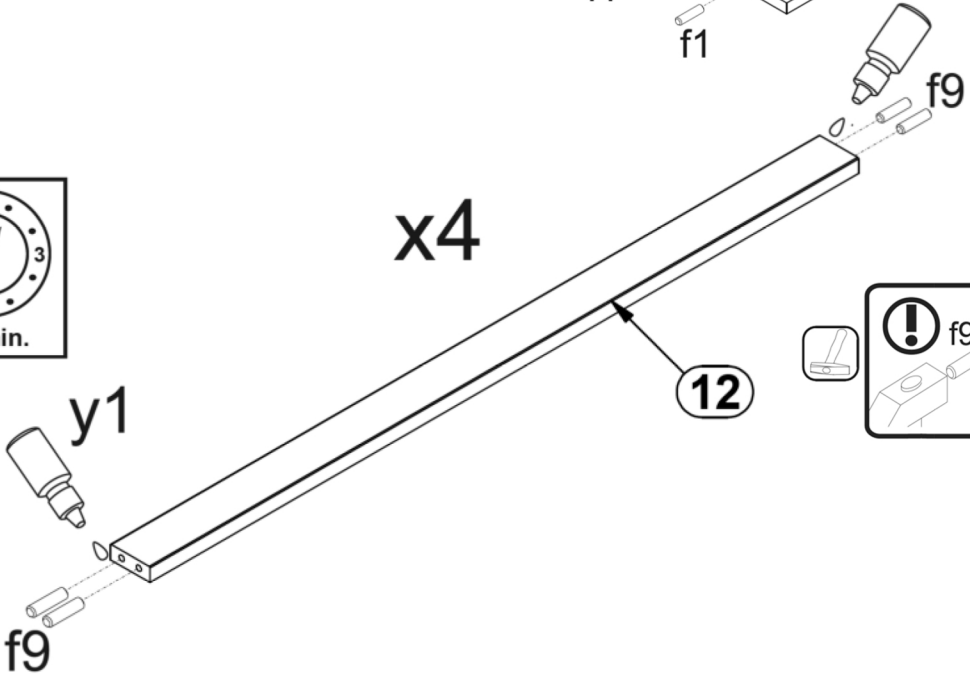
max.



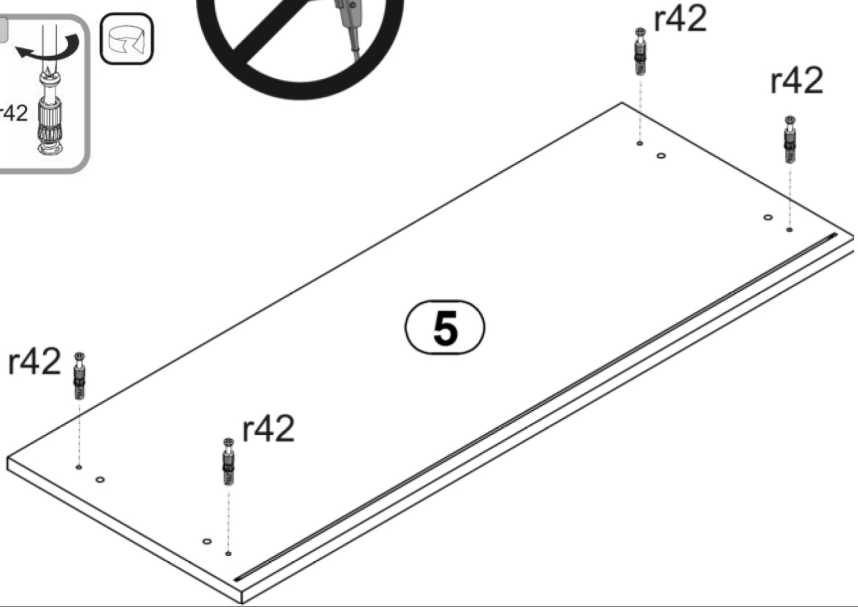
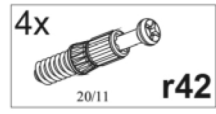
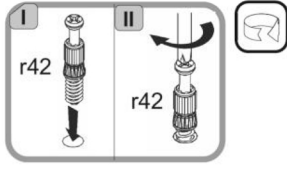
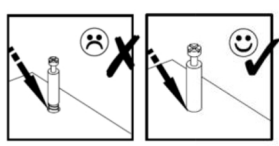
1



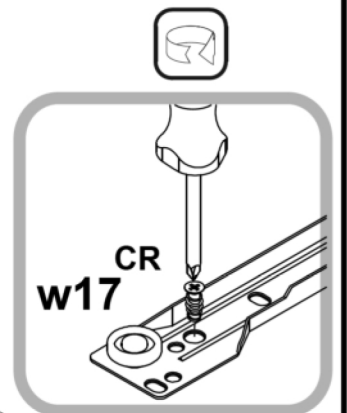
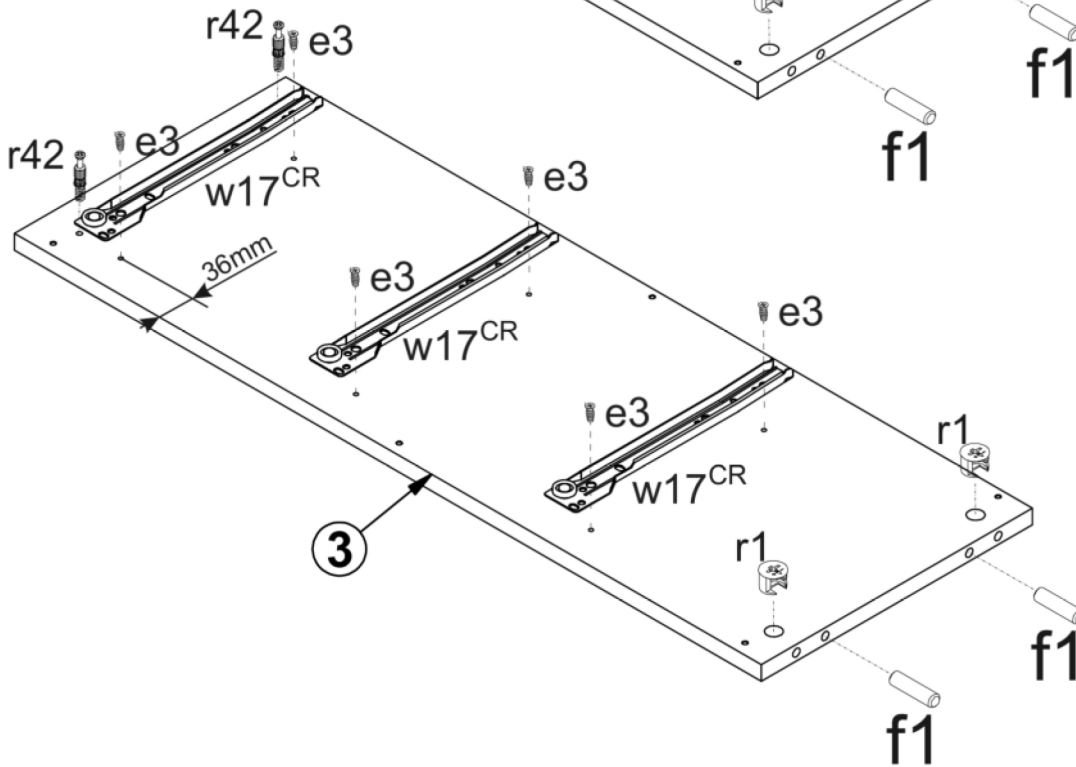
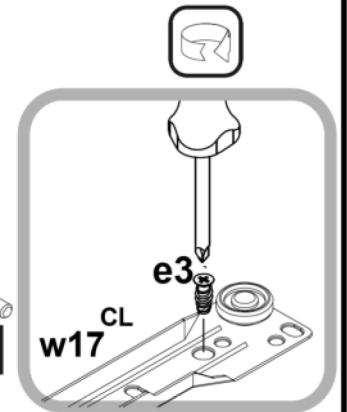
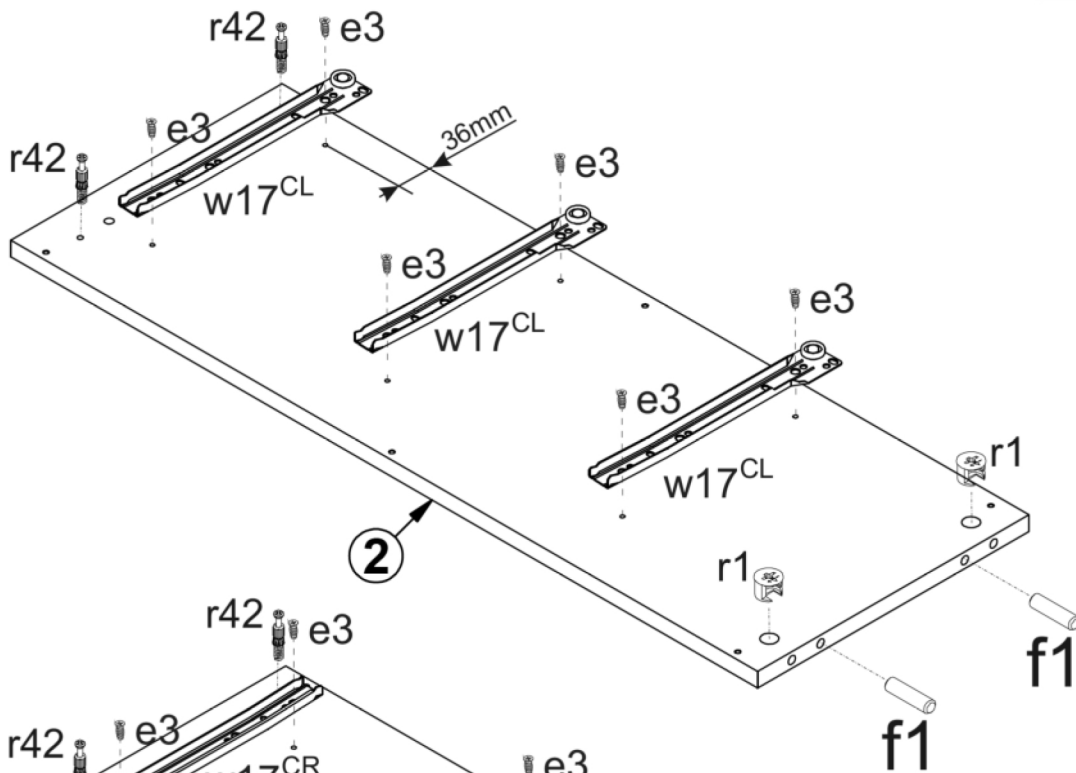
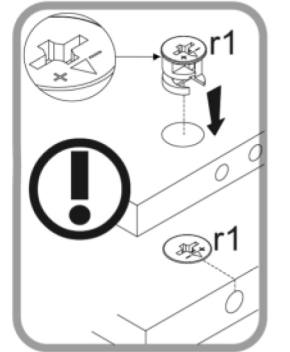
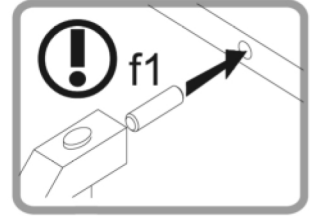
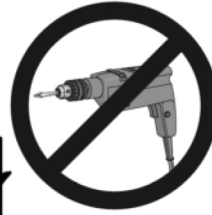
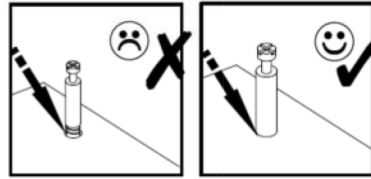
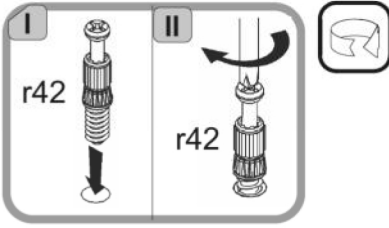
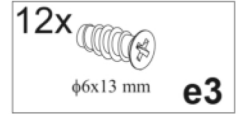
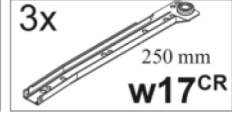
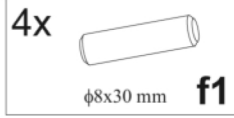
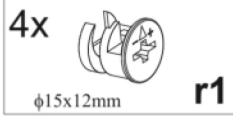
x4



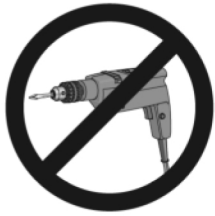
2



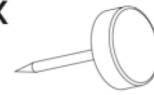
3



4



4x



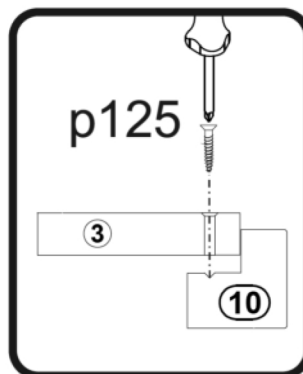
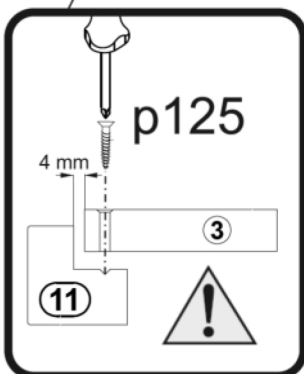
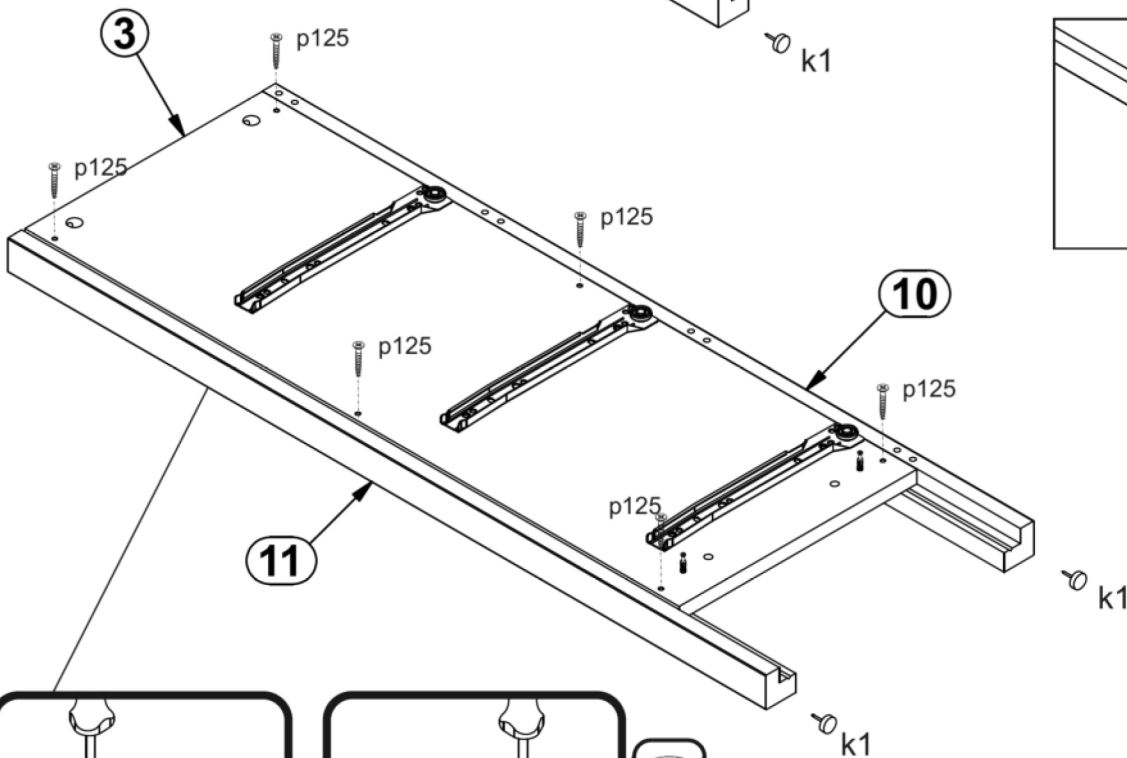
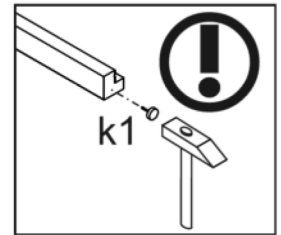
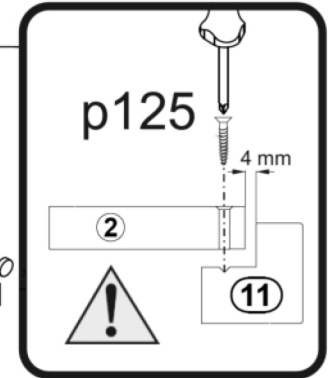
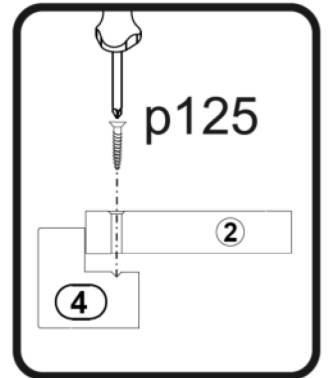
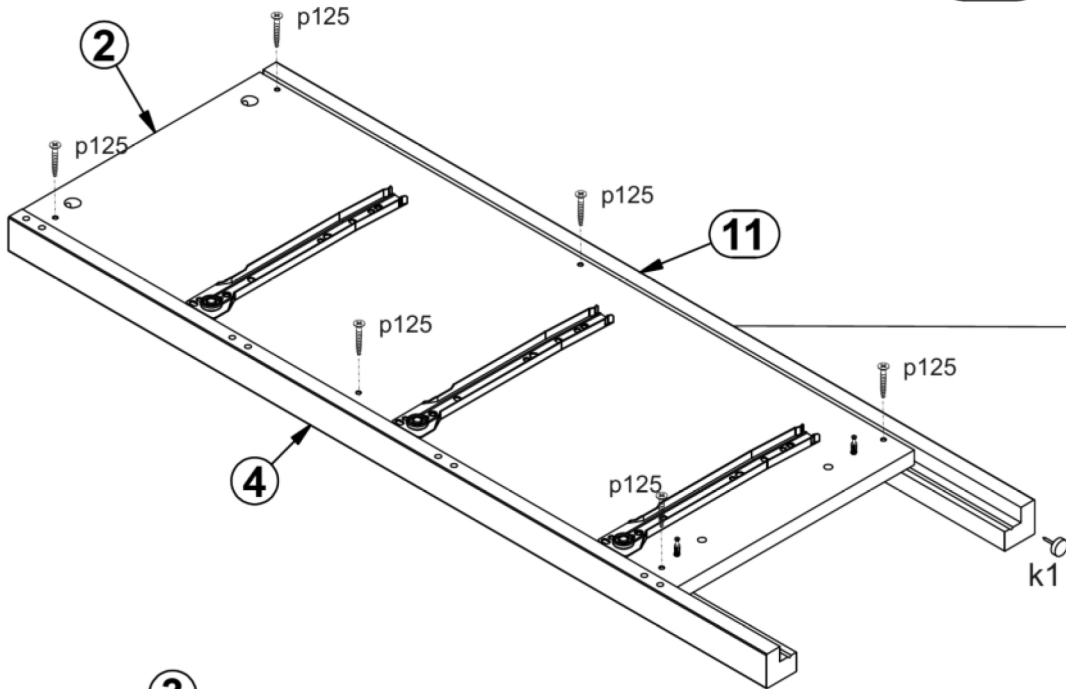
k1

12x

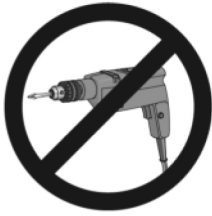


φ3x30 mm

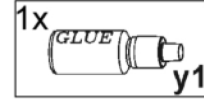
p125



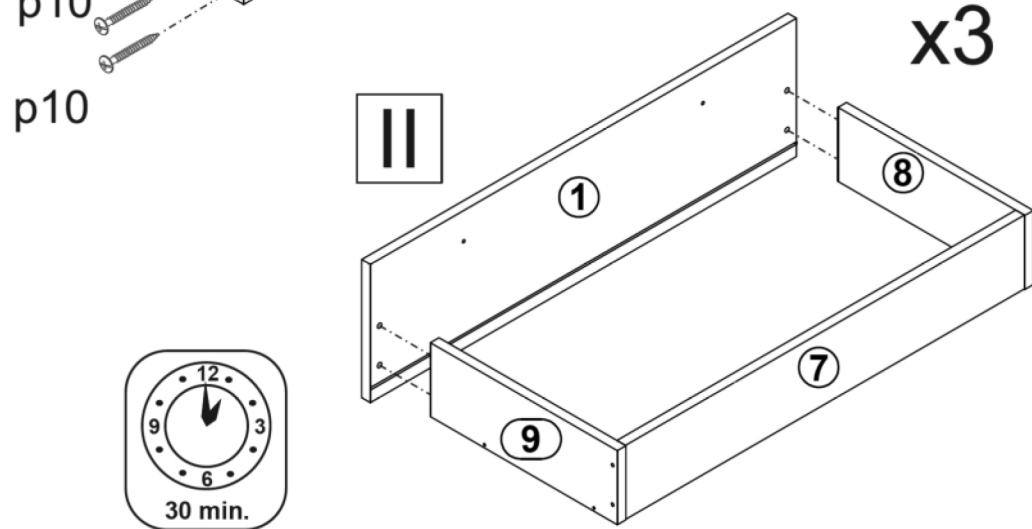
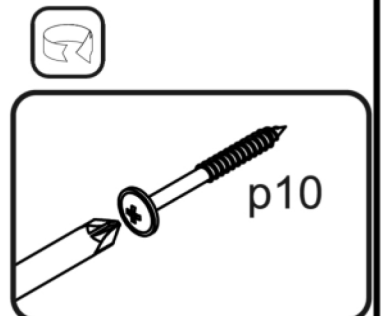
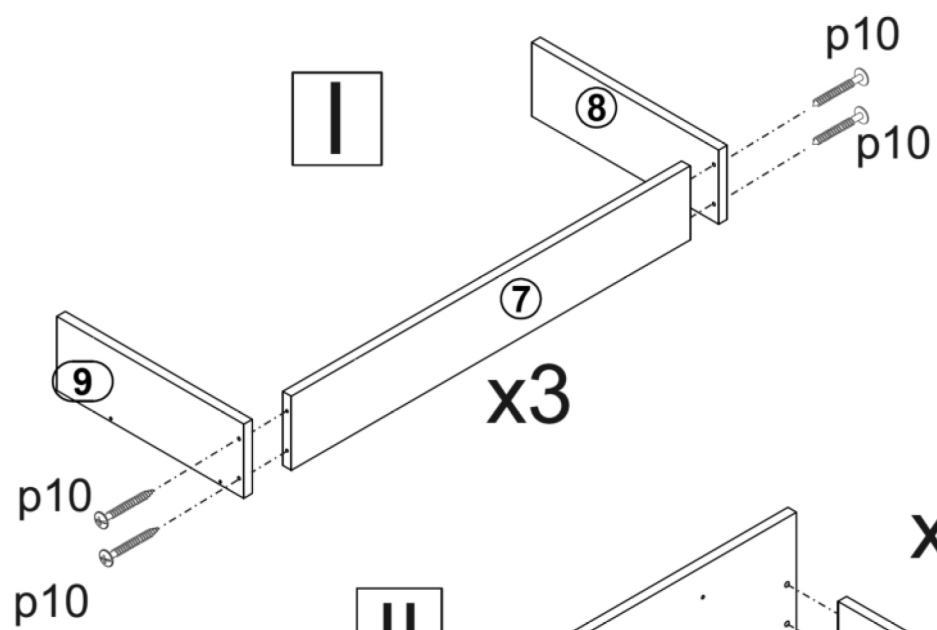
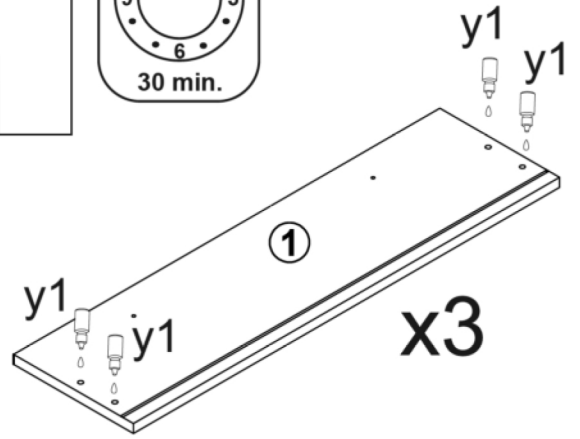
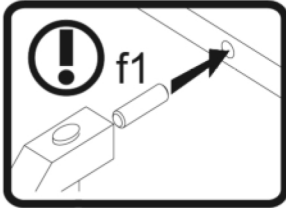
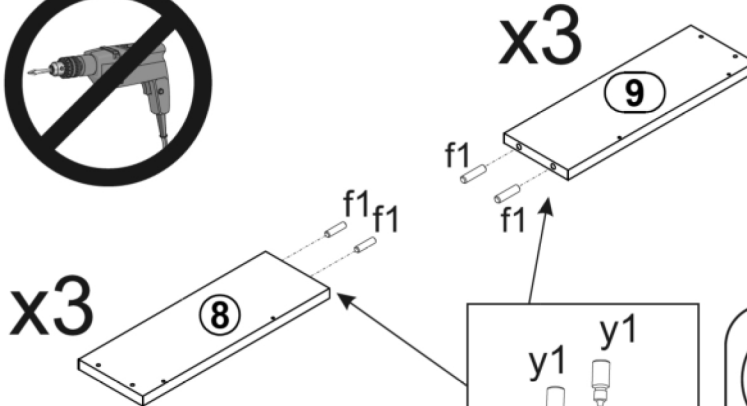
5



12x
φ4x40 mm p10



12x
φ8x30 mm f1



6



12x $\phi 5 \times 9$ mm **e19**

3x 250 mm **w17^{DR}**

3x 250 mm **w17^{DL}**

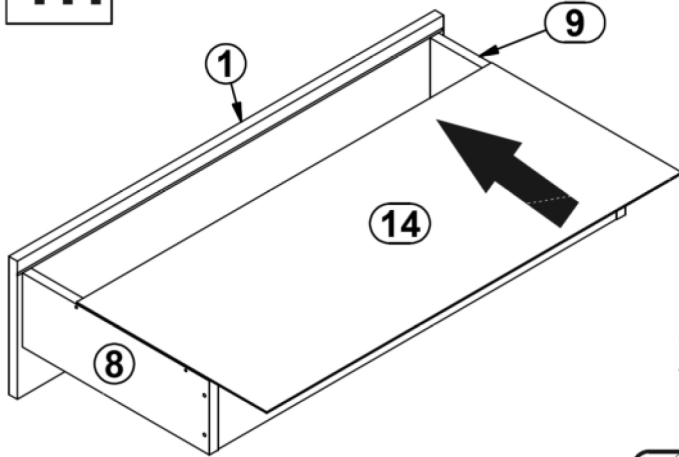
6x $\phi 3,5 \times 16$ mm **p25**

3x 250 mm **t40**

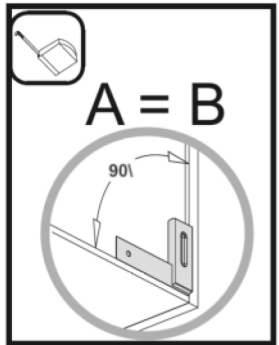
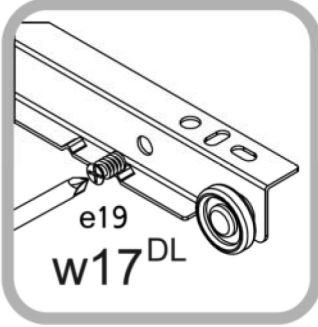
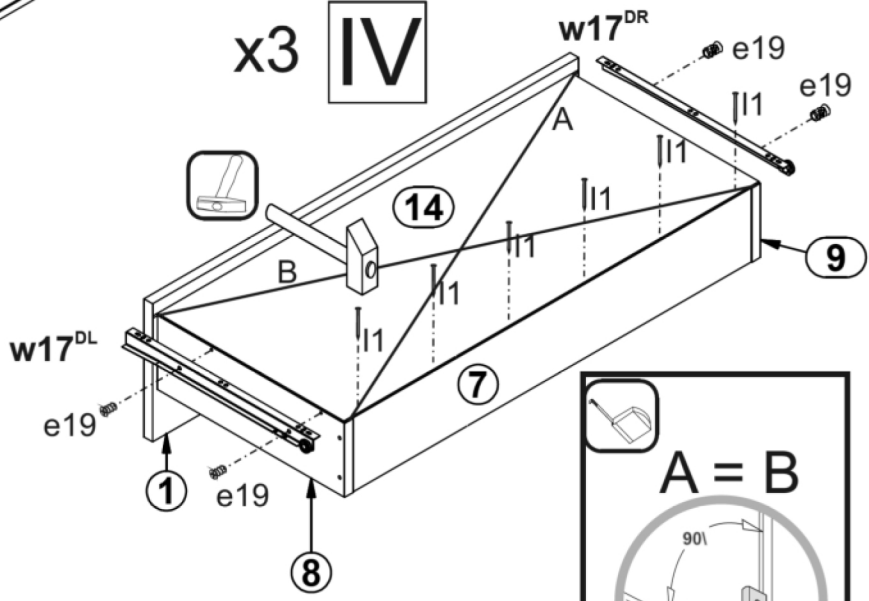
18x **l1**



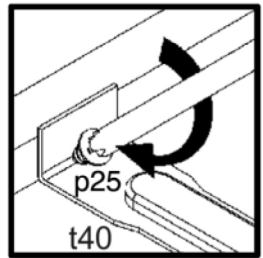
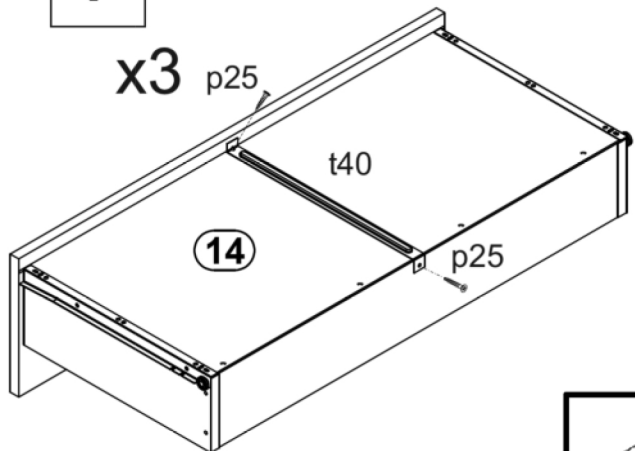
x3



x3



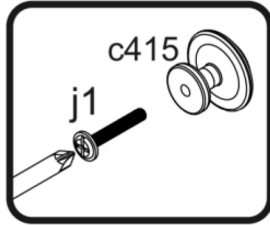
x3



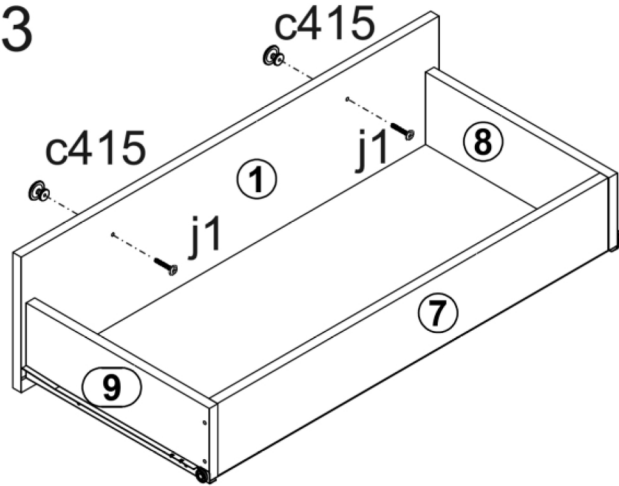
7



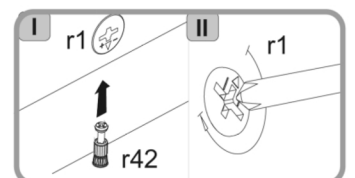
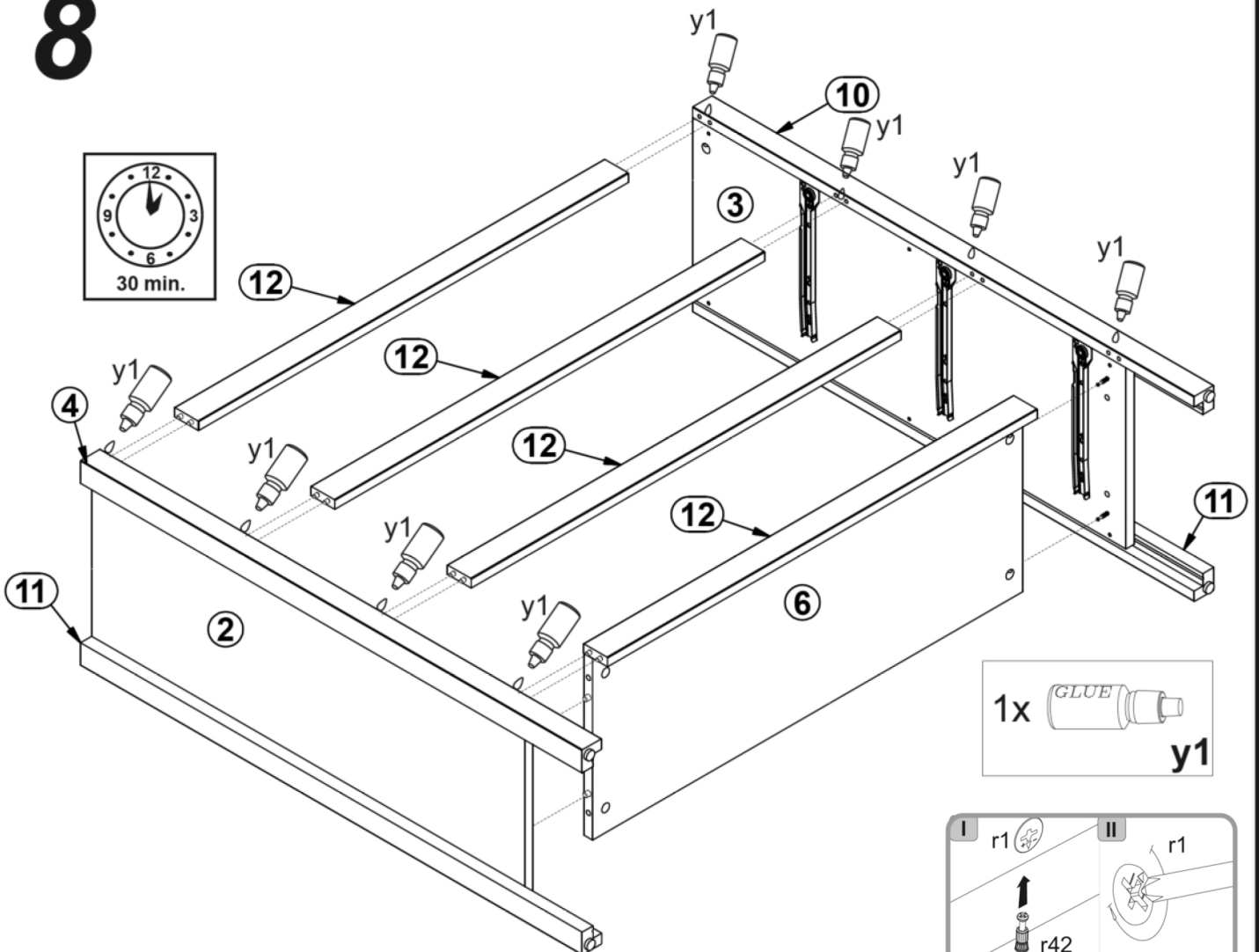
VI



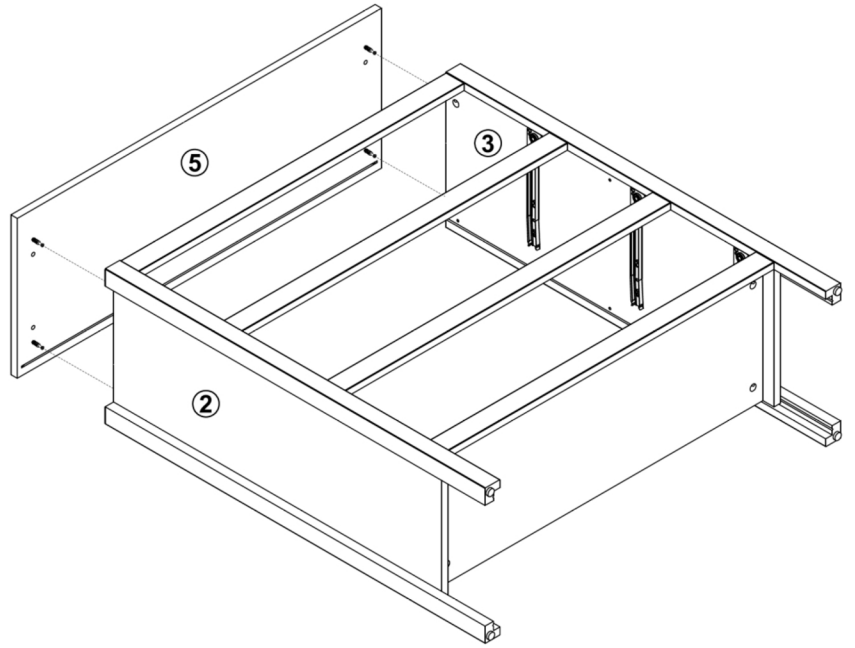
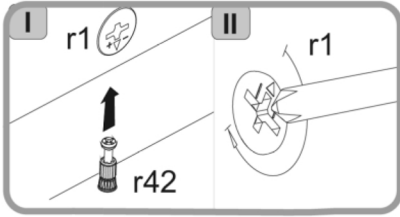
x3



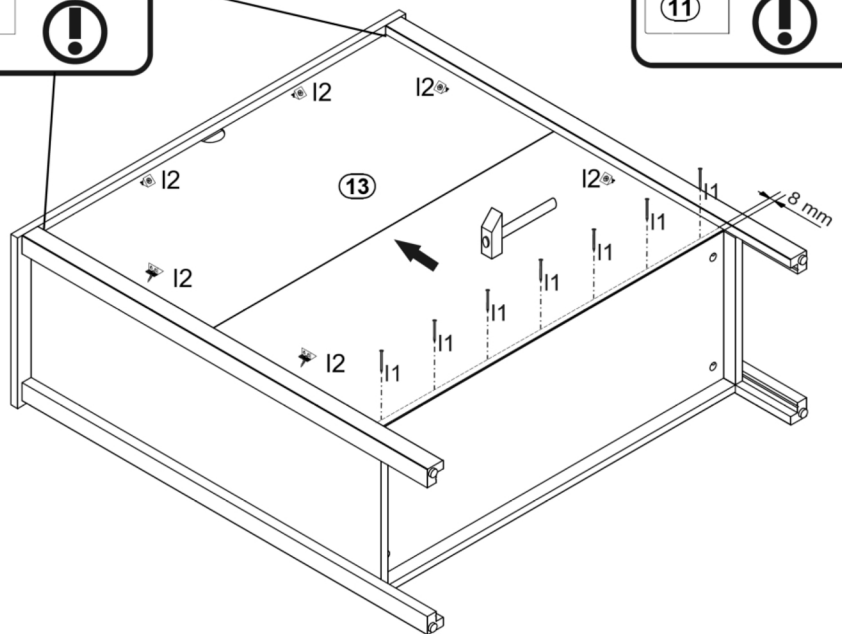
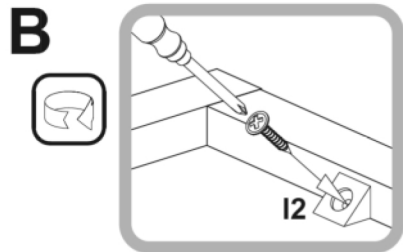
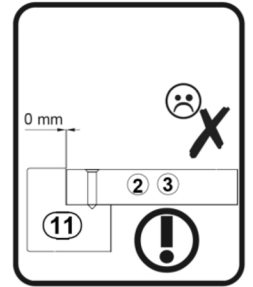
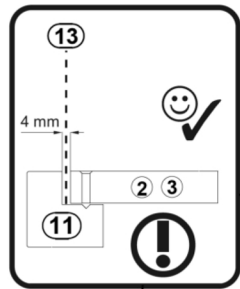
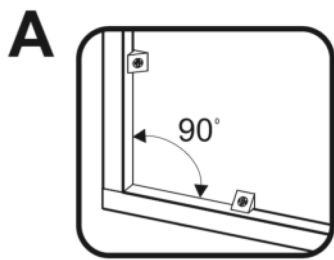
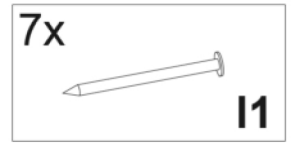
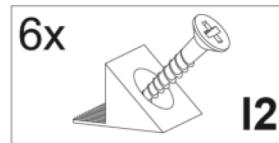
8



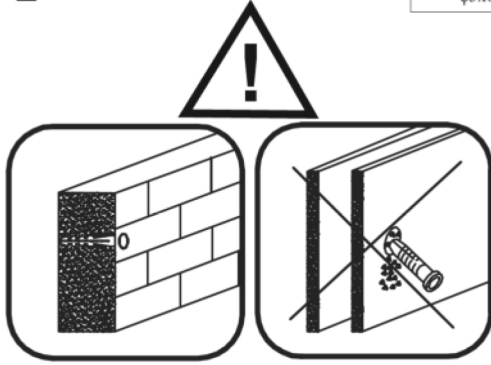
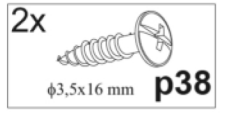
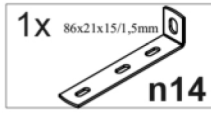
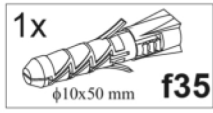
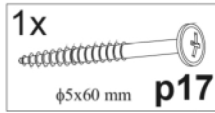
9



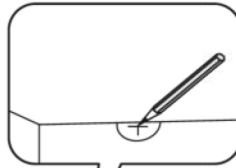
10



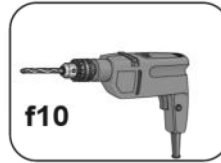
11



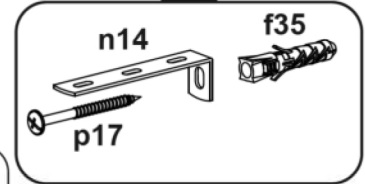
A



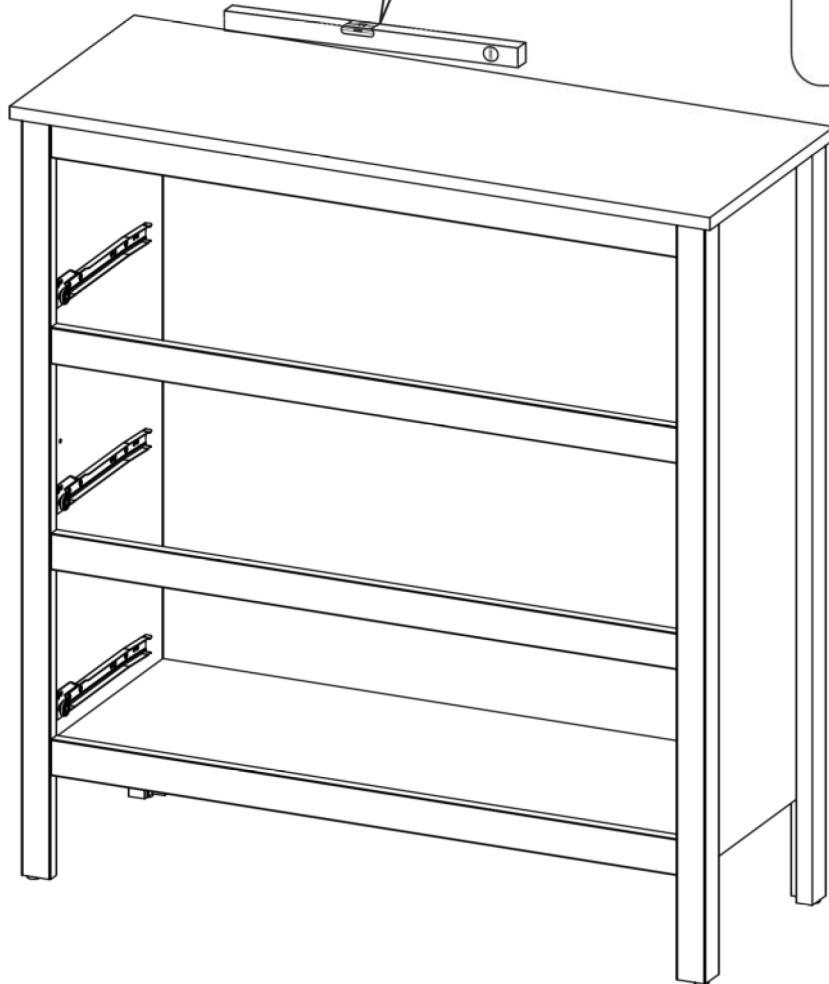
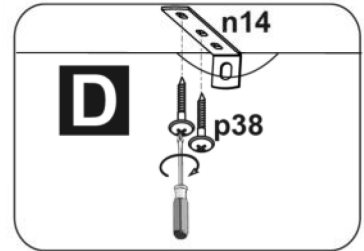
B



C



D



12

