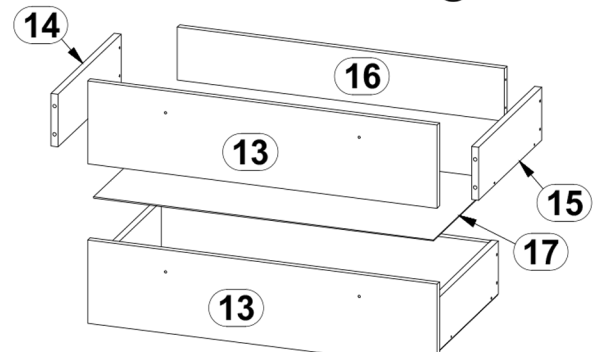
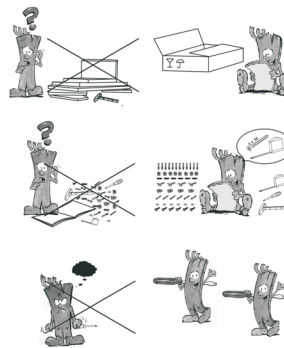
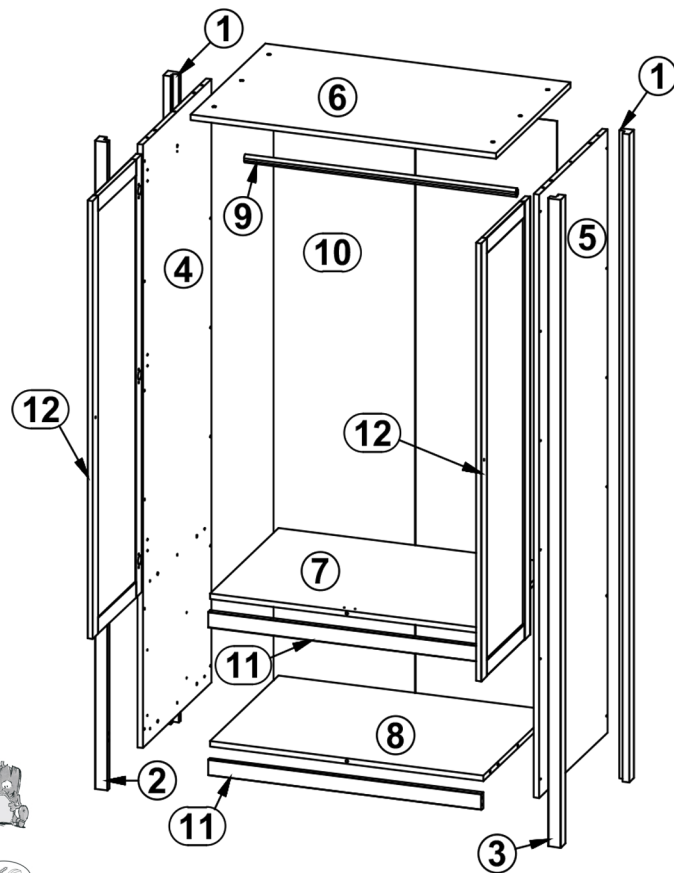
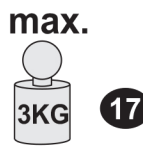
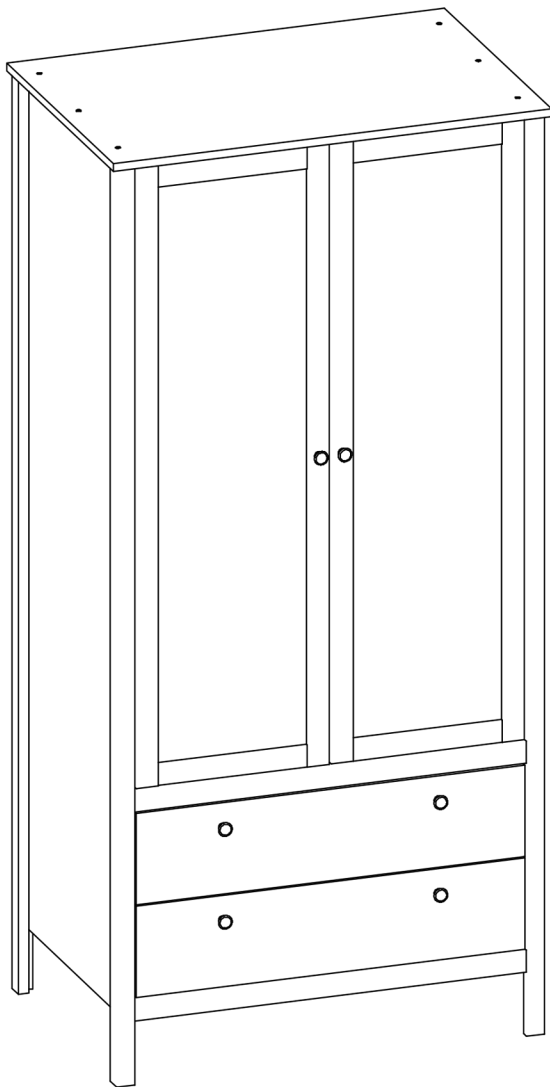
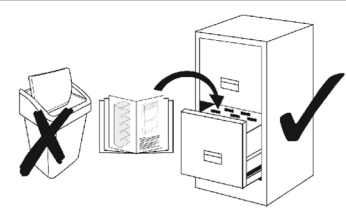
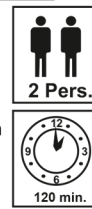
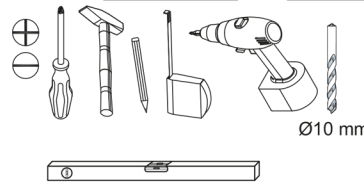
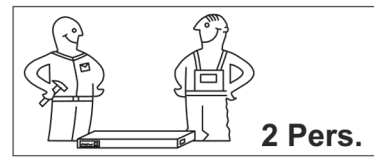
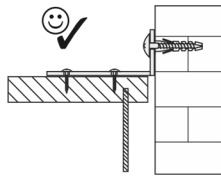
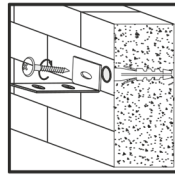
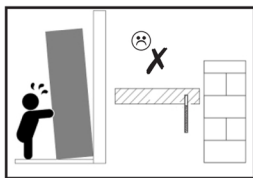
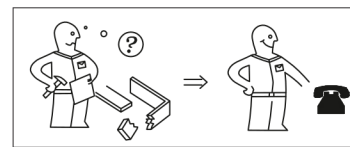
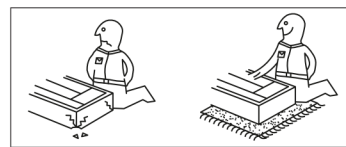
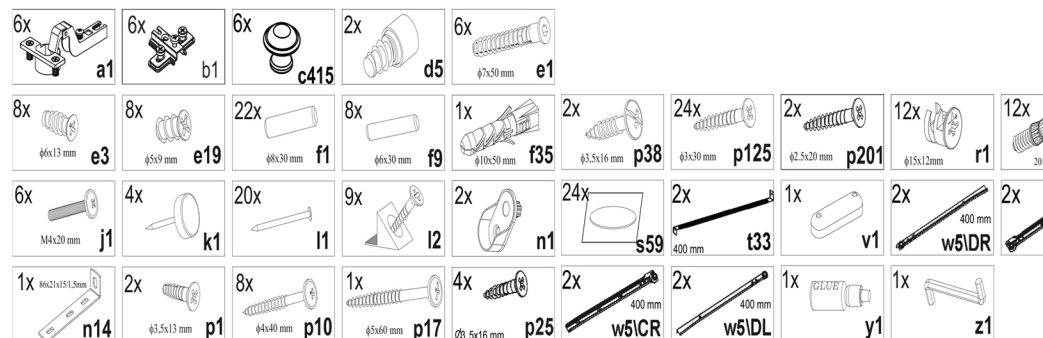


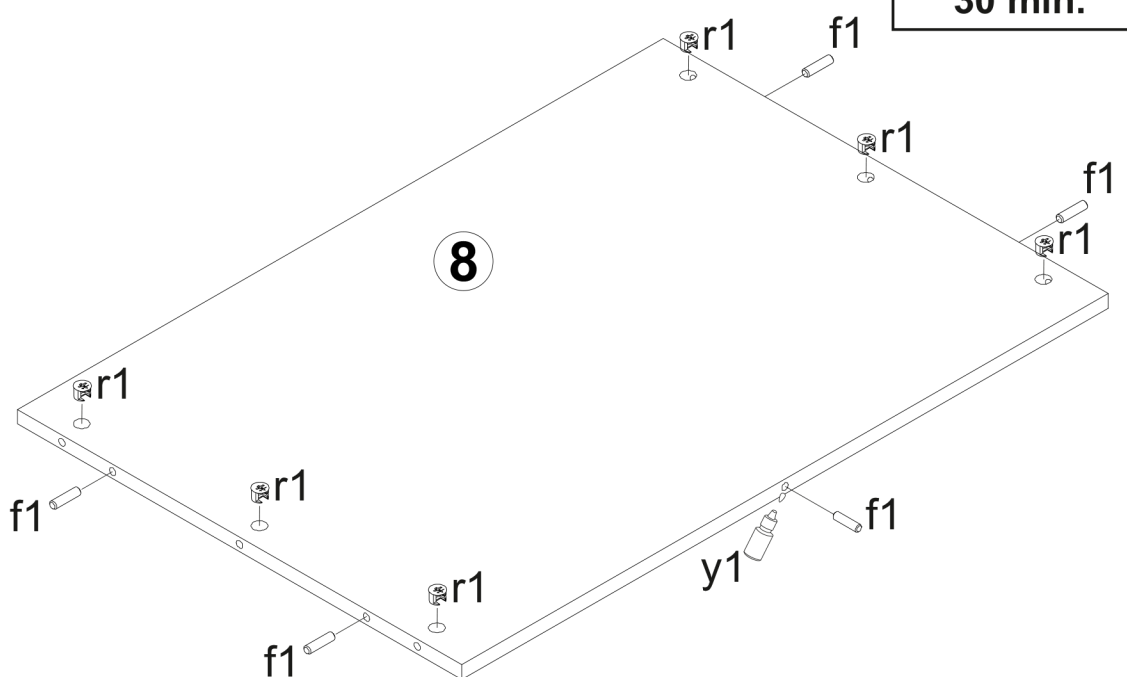
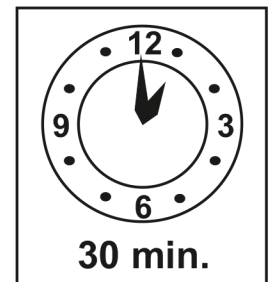
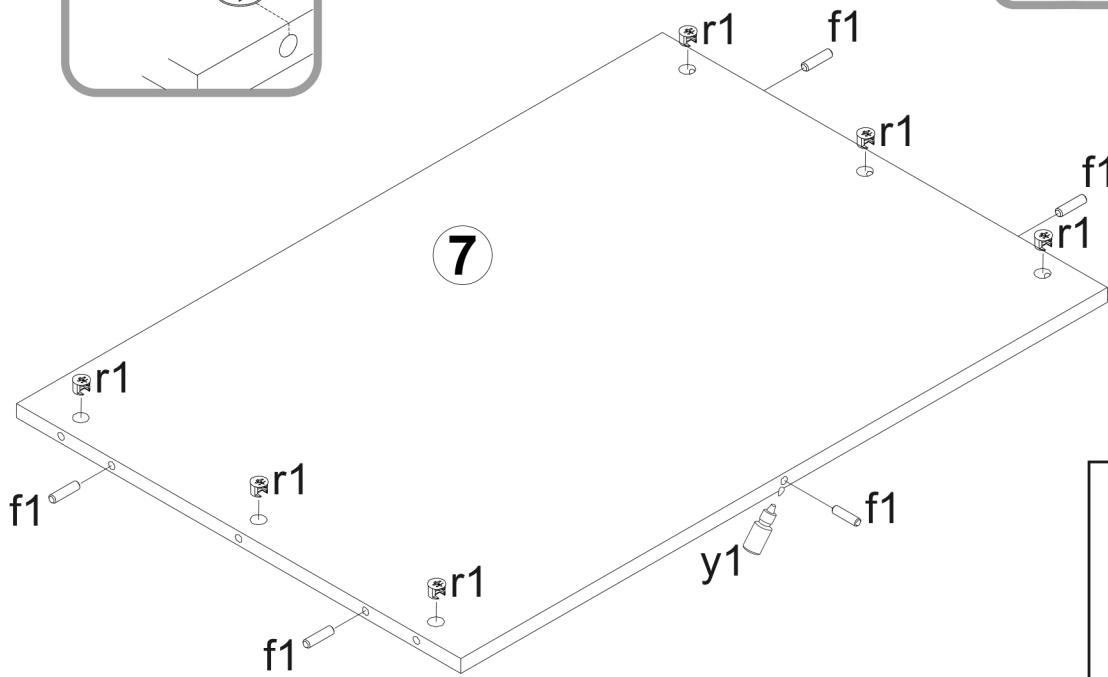
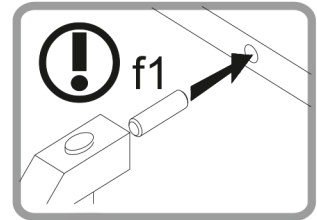
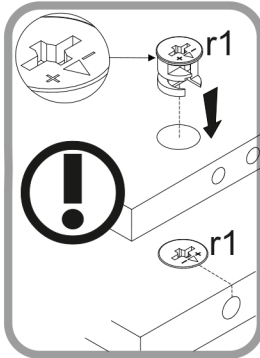
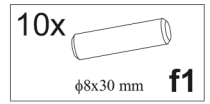
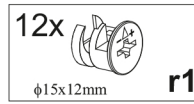
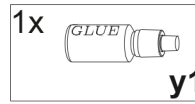
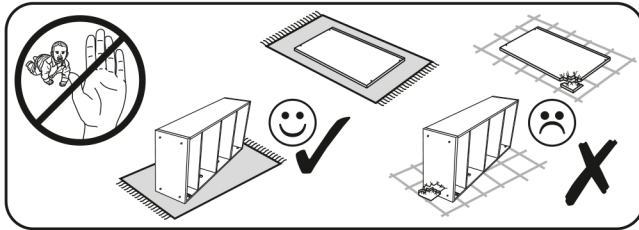
OLJE 2D2S



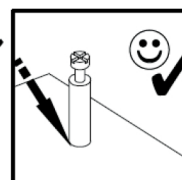
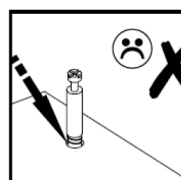
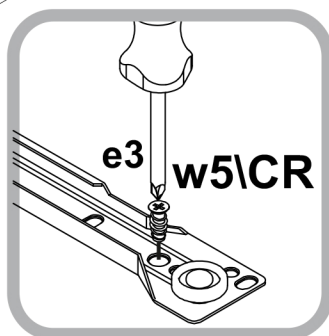
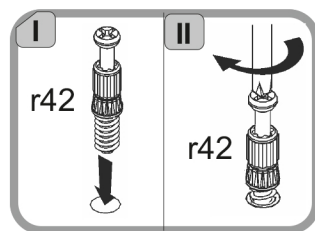
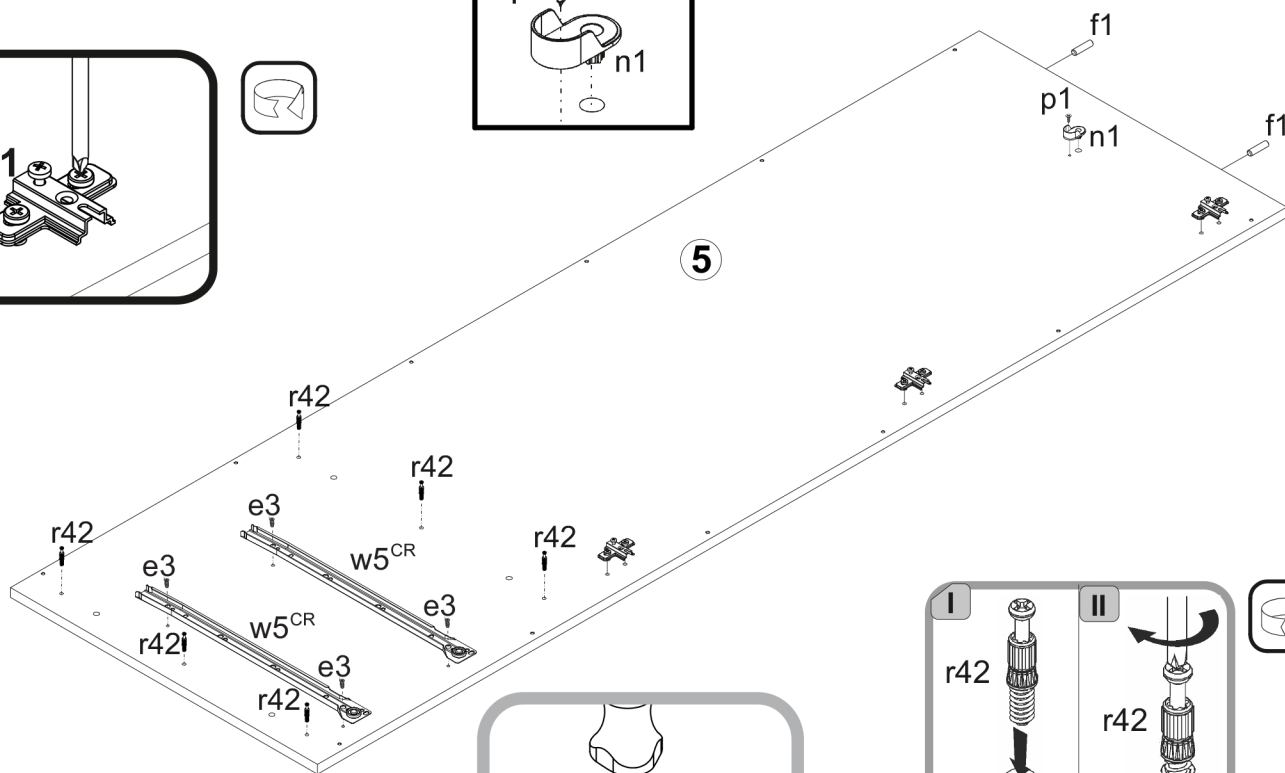
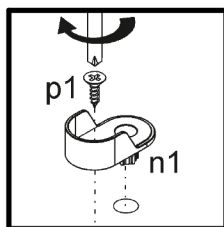
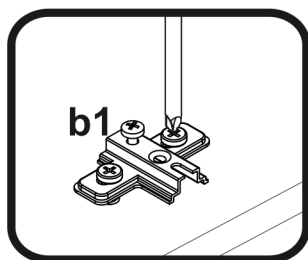
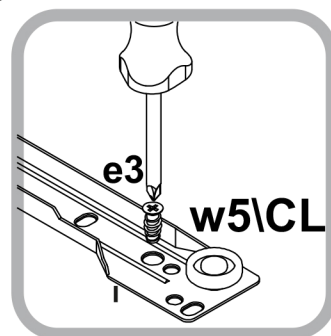
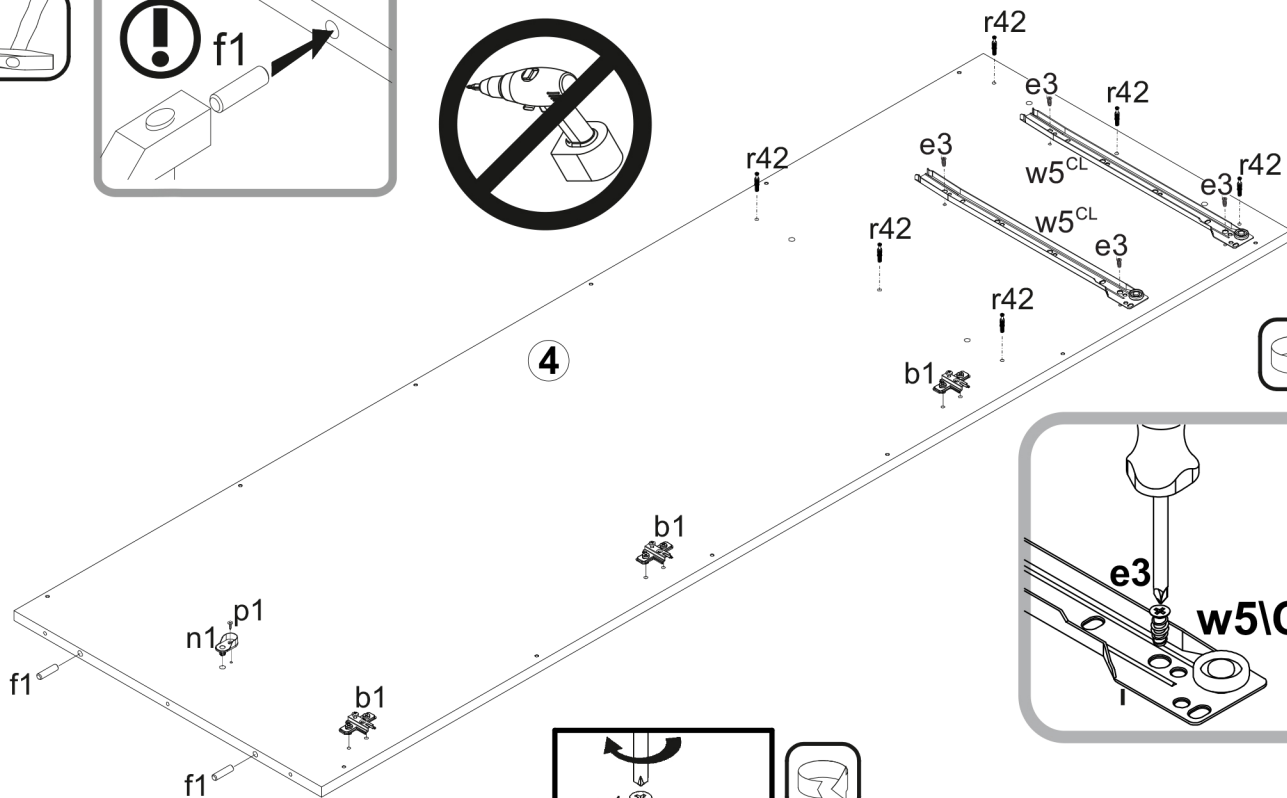
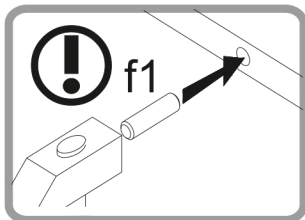
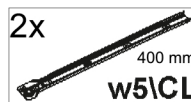
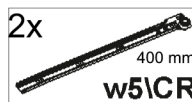
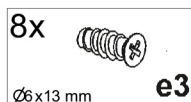
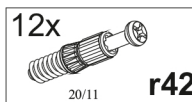
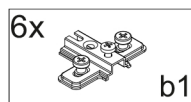
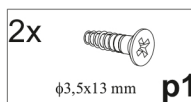
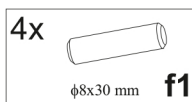
A	C		D	E
1	1990	38 38	2	2 2
2	1990	38 38	1	2 2
3	1990	38 38	1	2 2
4	1859	561 16	1	2 2
5	1859	561 16	1	2 2
6	910	610 16	1	2 2
7	815	561 16	1	1 2
8	815	561 16	1	1 2
9	810		1	2 2
10	1833	845 3	1	2 2
11	814	46 16	2	1 2
12	1374	402 16	2	1 2
13	808	189 16	2	1 2
14	400	120 16	2	1 2
15	400	120 16	2	1 2
16	757	120 16	2	2 2
17	406	787 2,5	2	2 2
-	Accessories		1	1 2



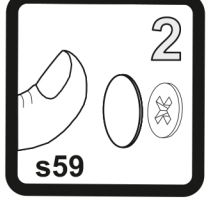
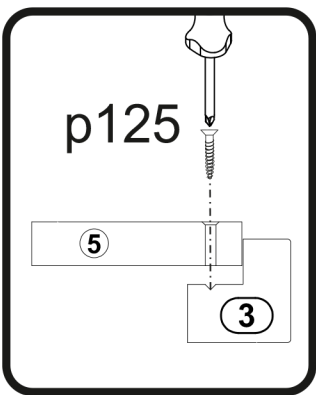
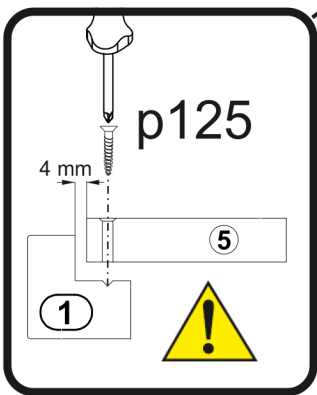
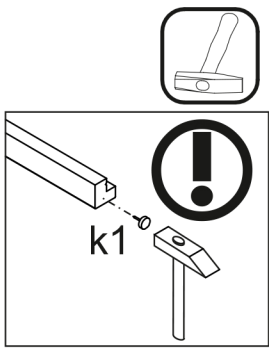
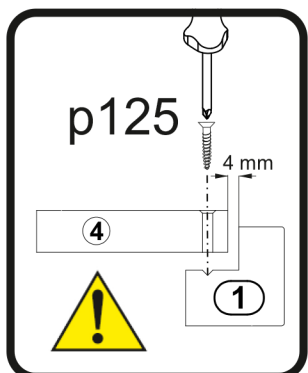
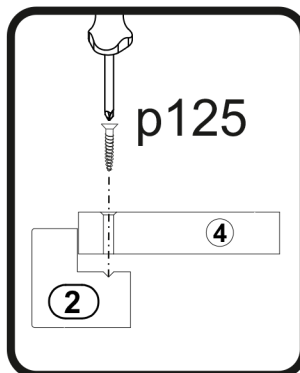
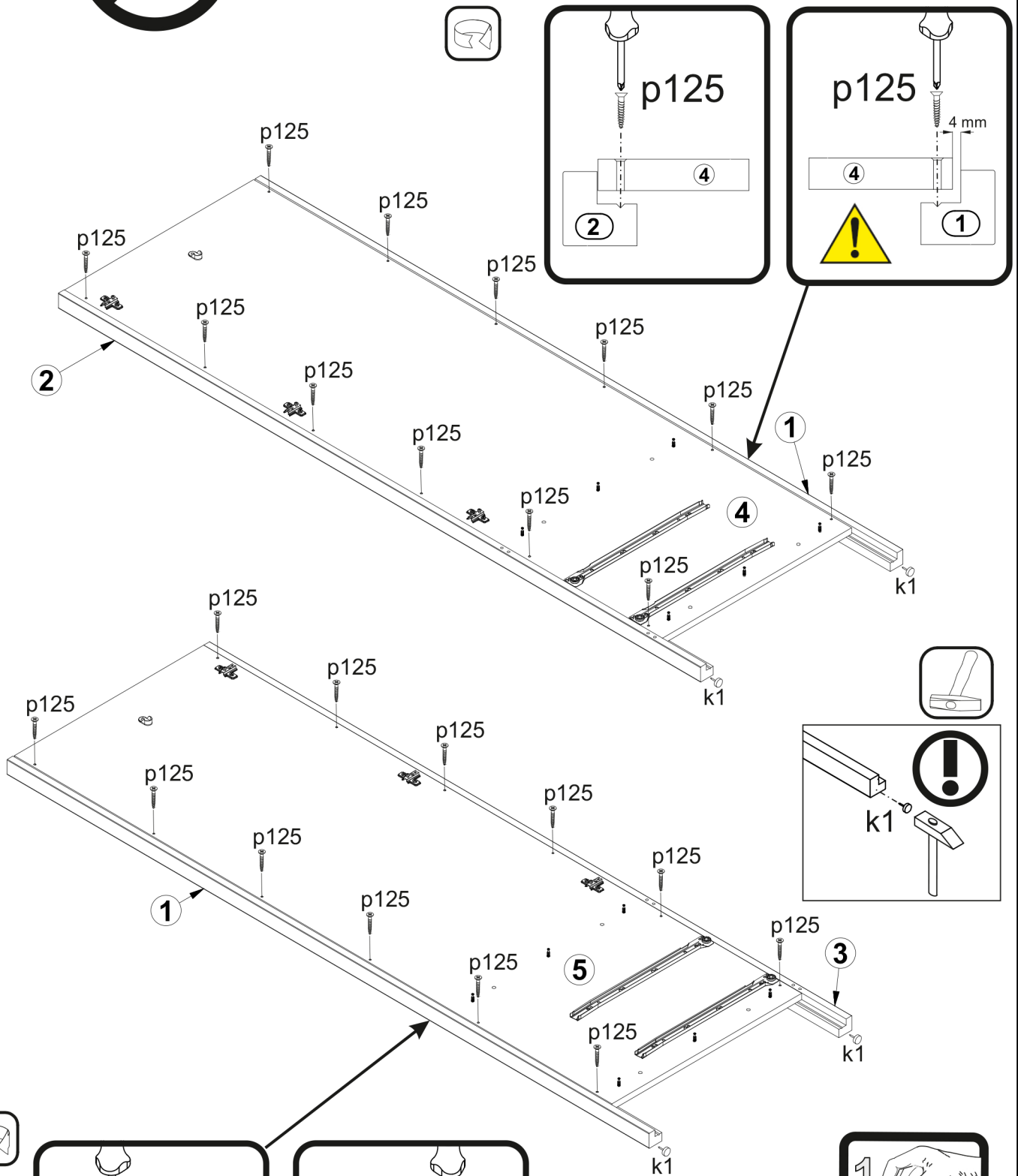
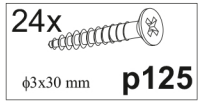
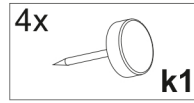
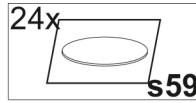
1



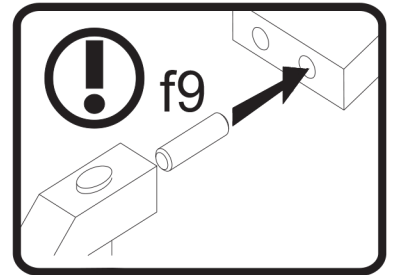
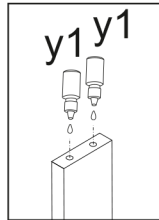
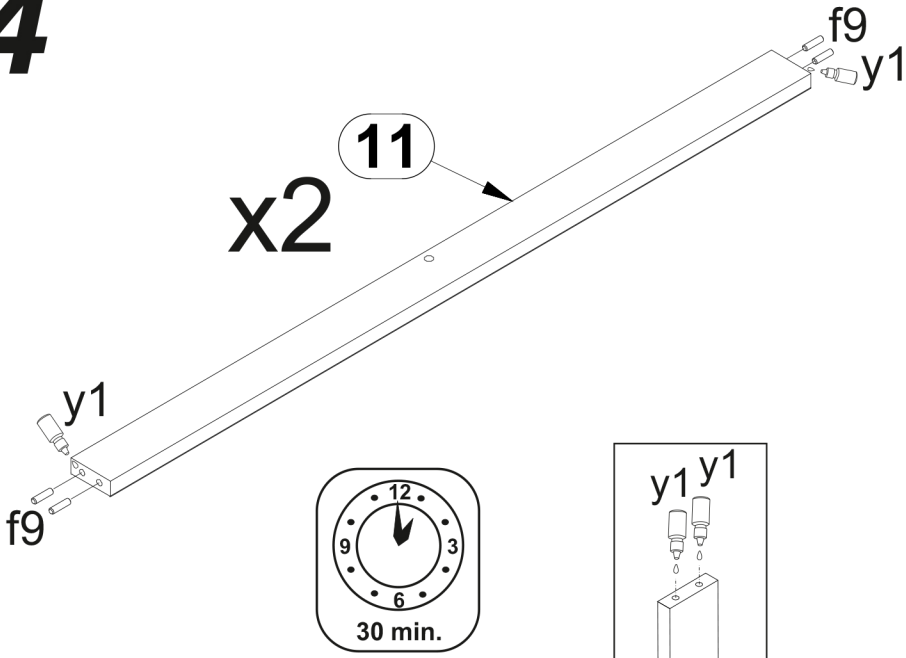
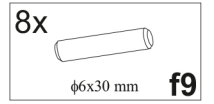
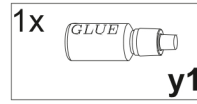
2



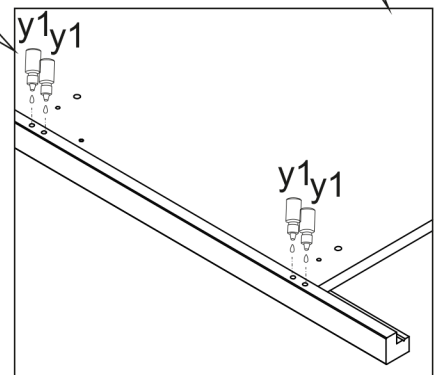
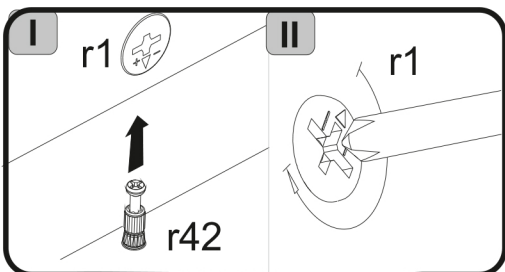
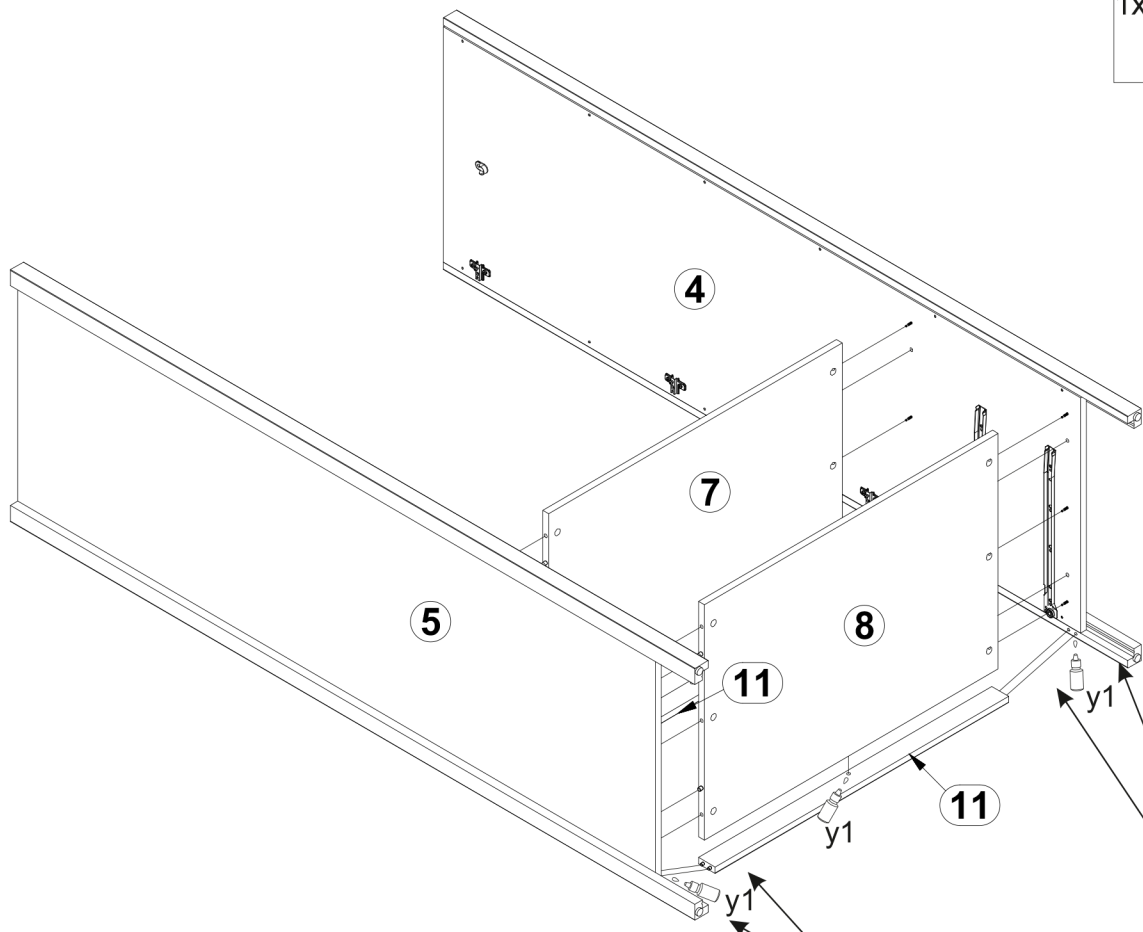
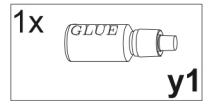
3



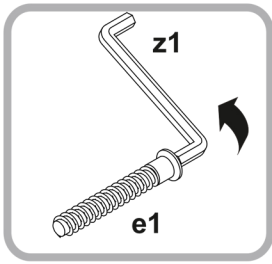
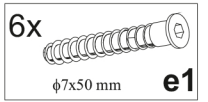
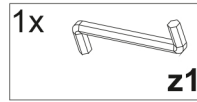
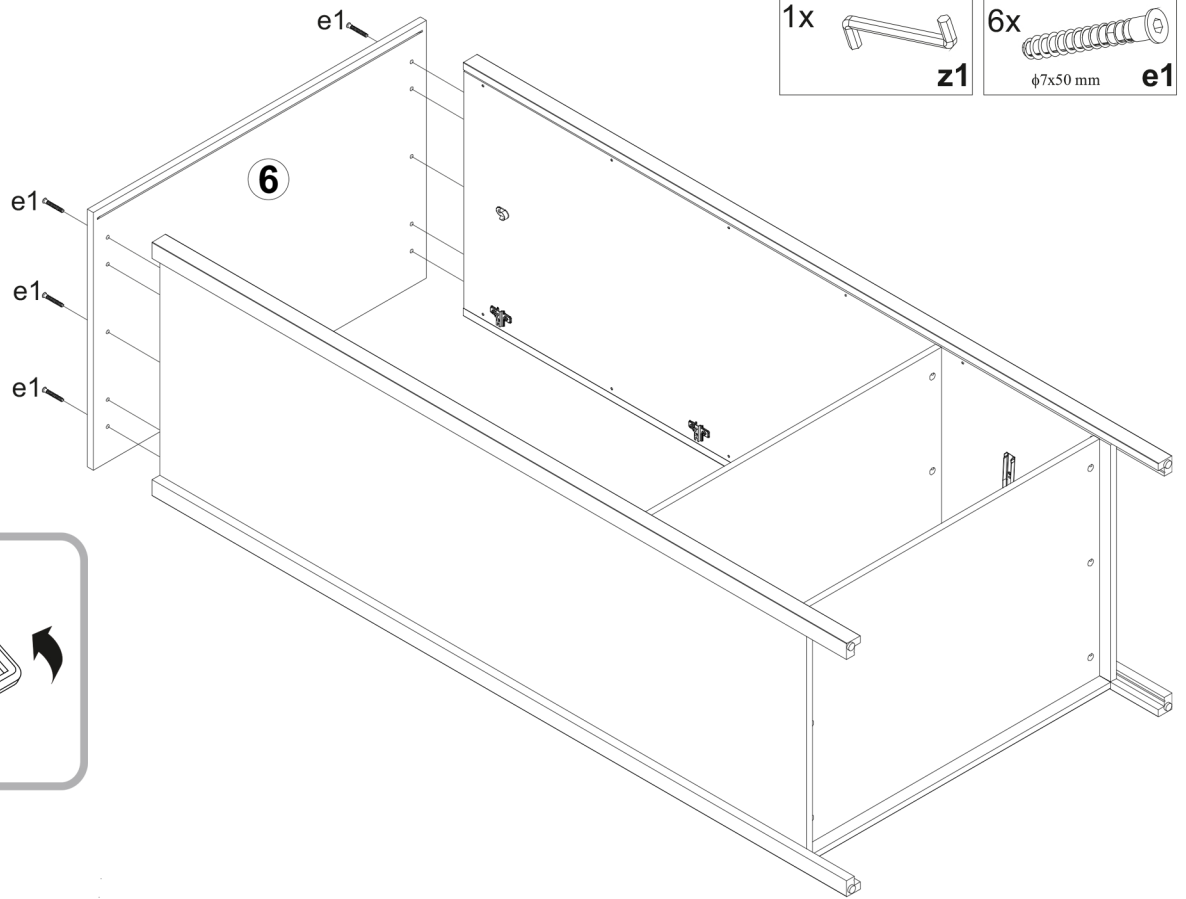
4



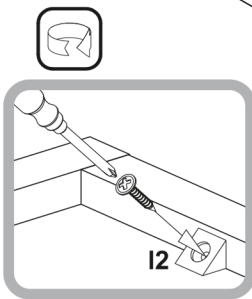
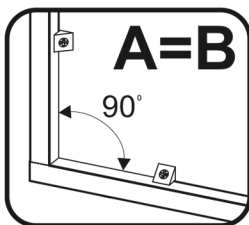
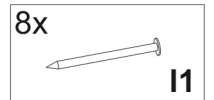
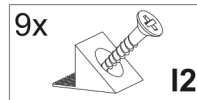
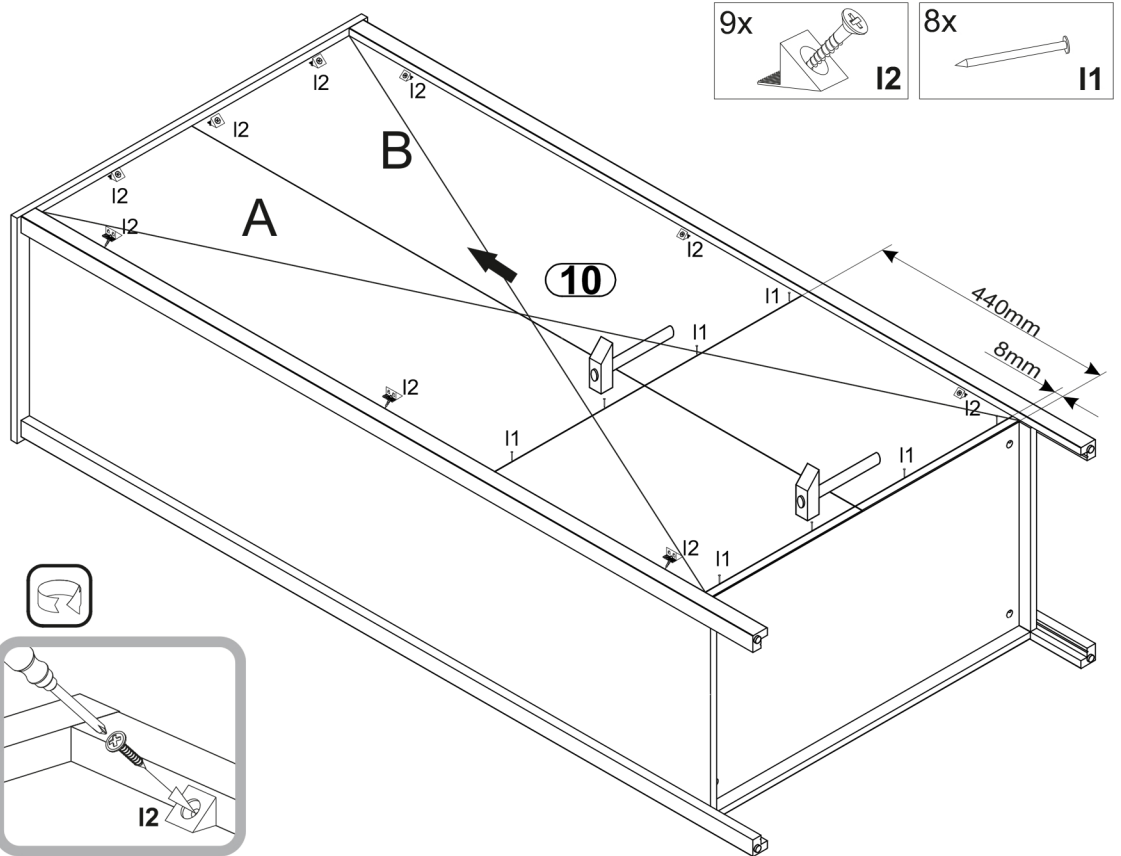
5



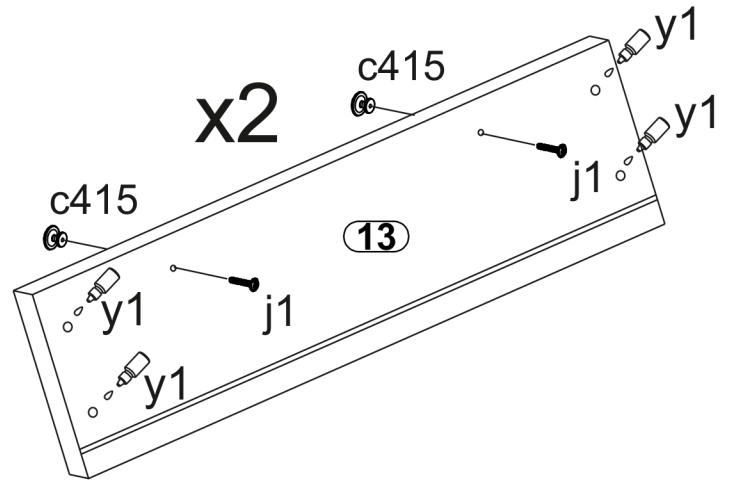
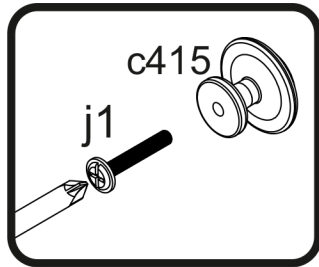
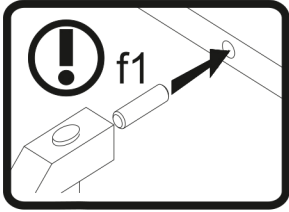
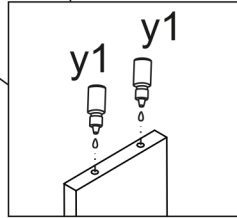
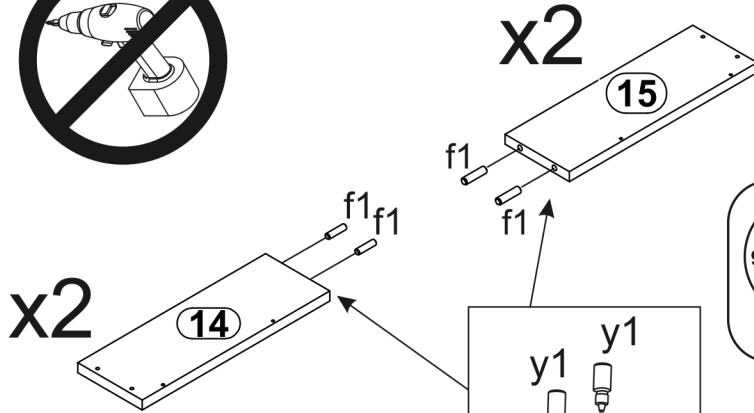
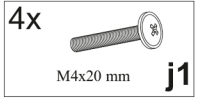
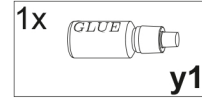
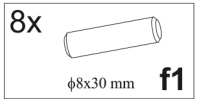
6



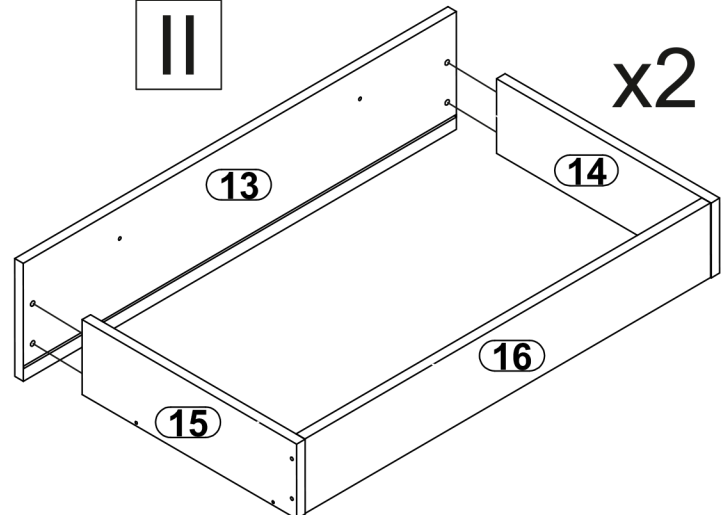
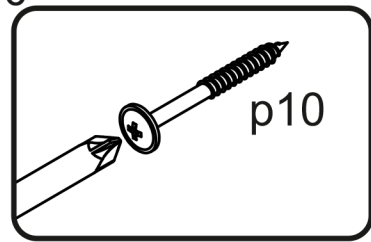
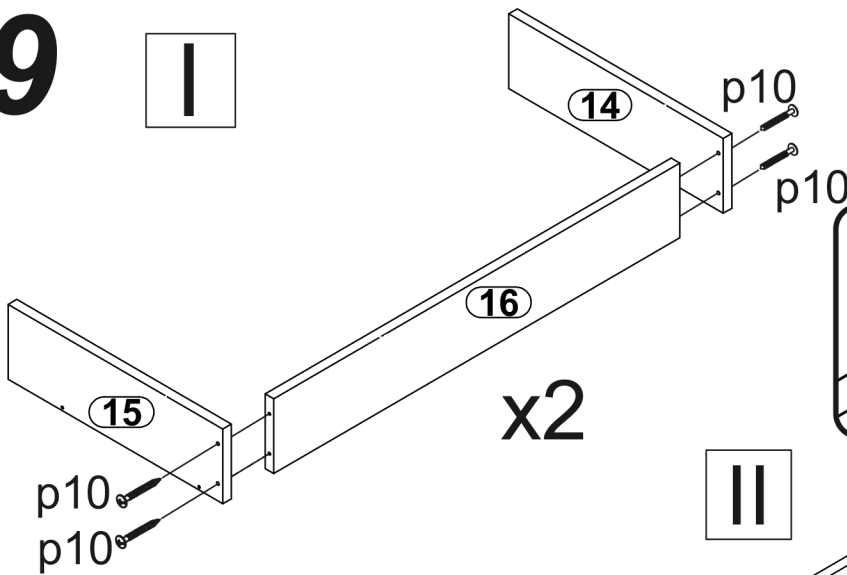
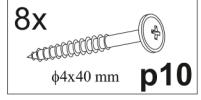
7



8



9



10



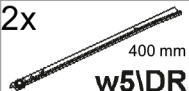
8x
φ5x9 mm e19



2x
400 mm
w5\DL



2x
400 mm
w5\DR



4x
φ3,5x16 mm p25



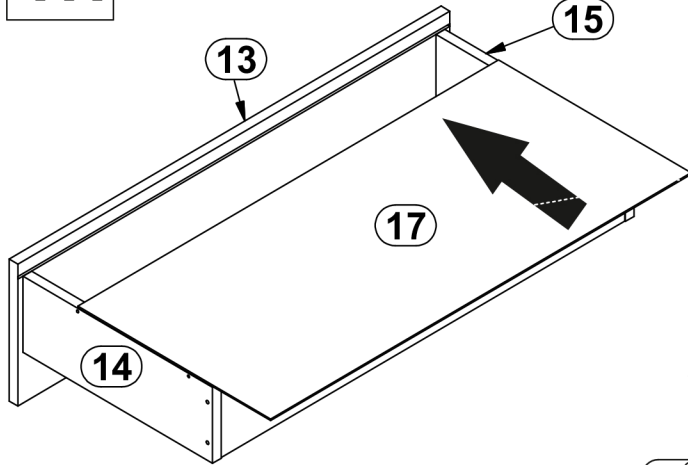
2x
400 mm
t33



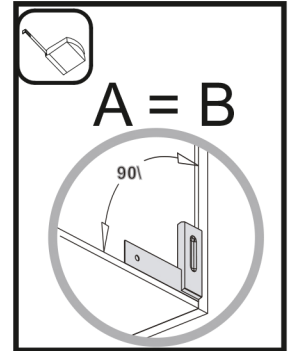
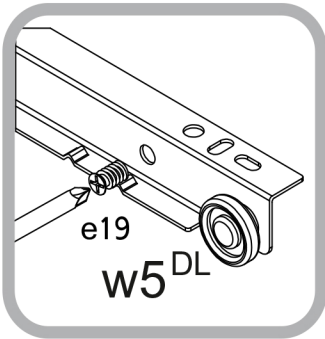
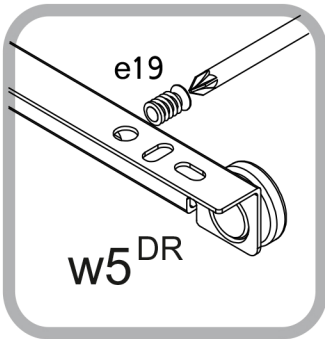
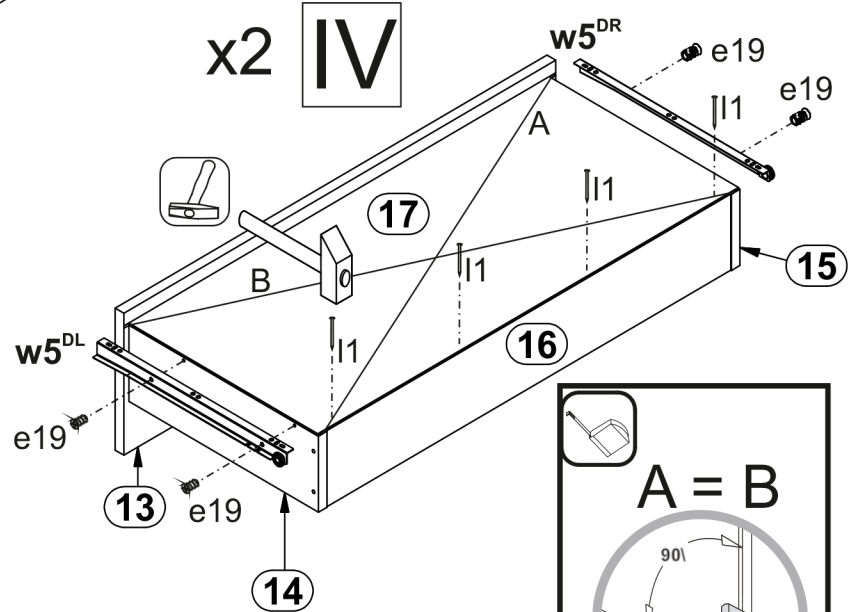
8x
I1



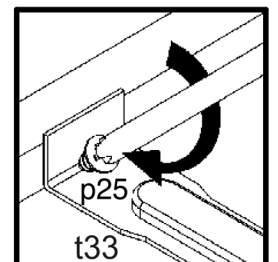
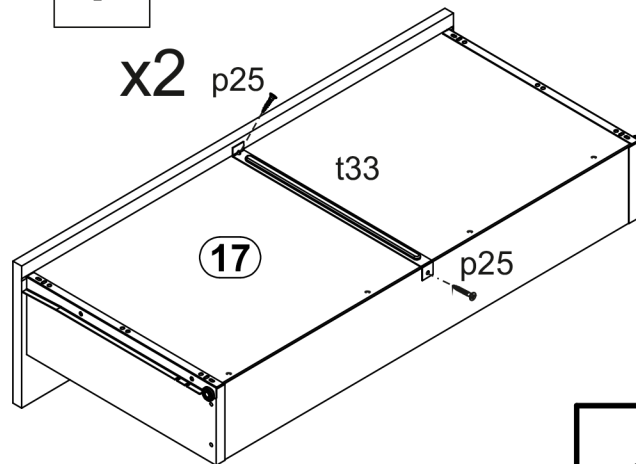
x2



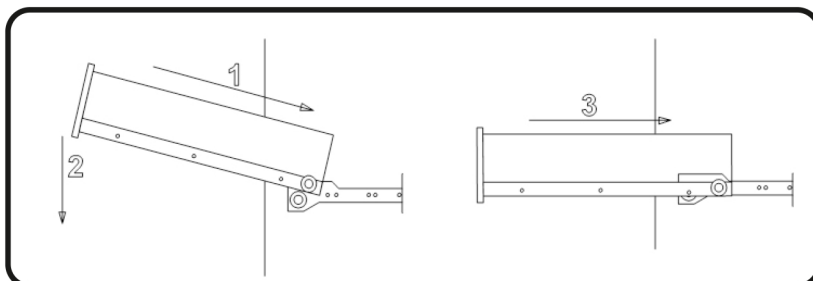
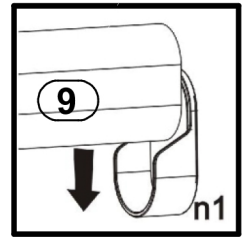
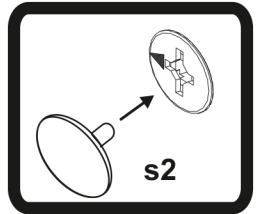
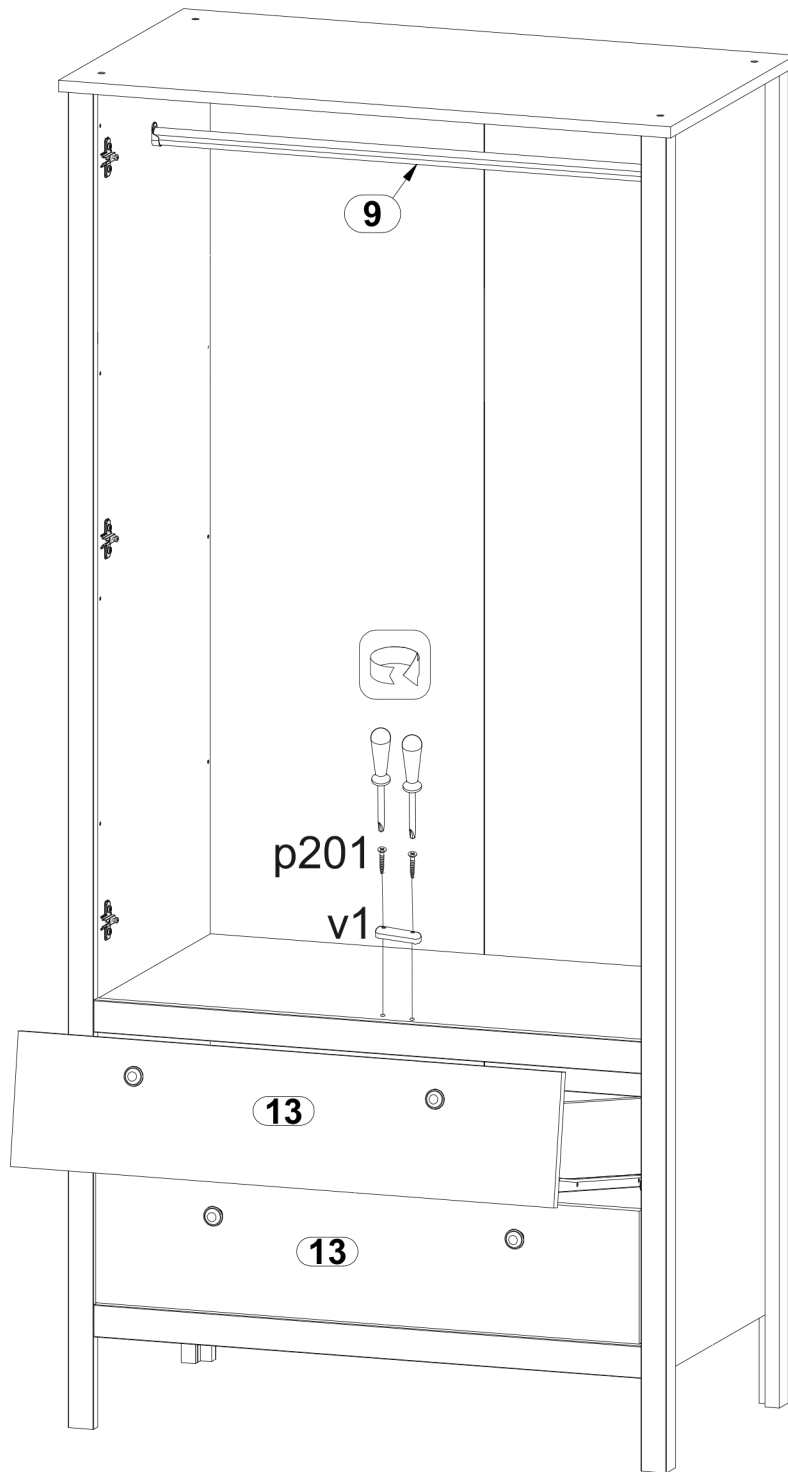
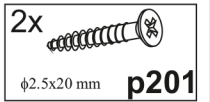
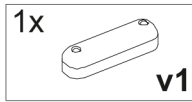
x2 IV



V



11

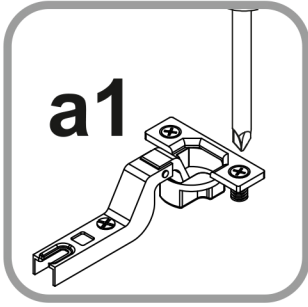
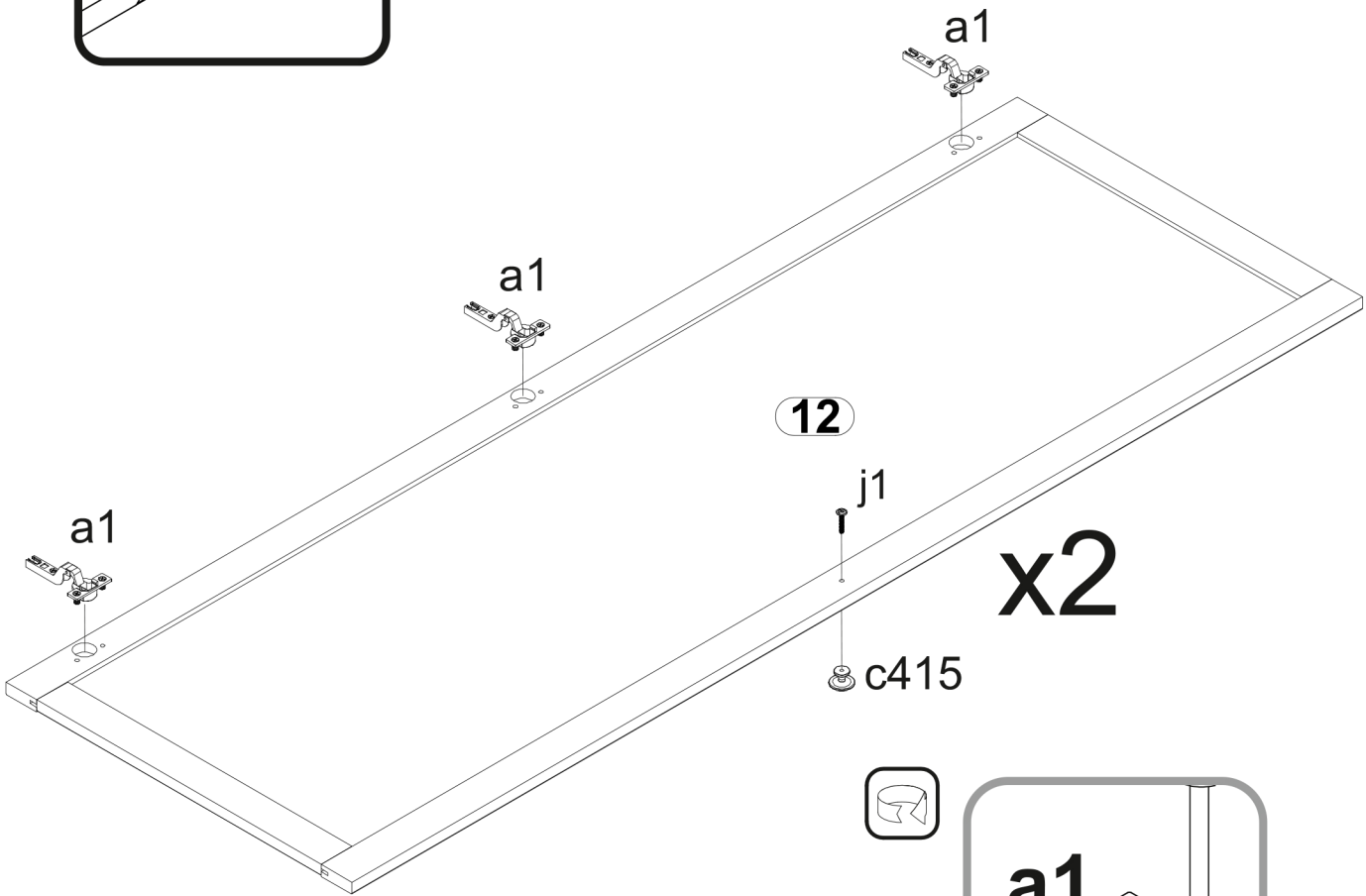
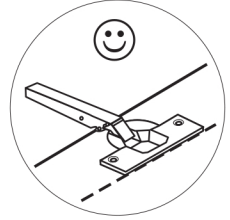
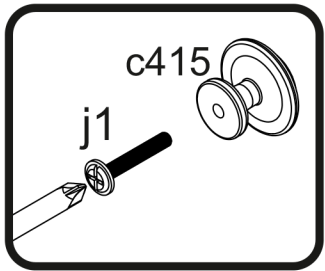
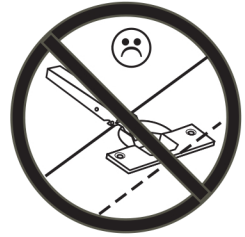
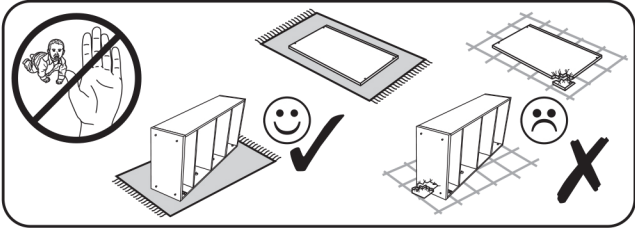


12

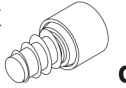
2x
M4x20 mm
j1

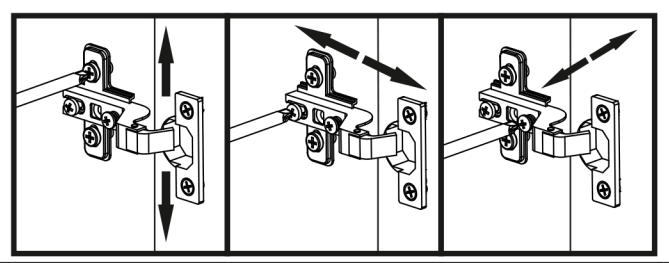
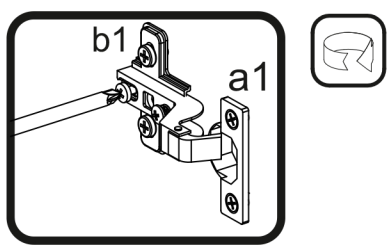
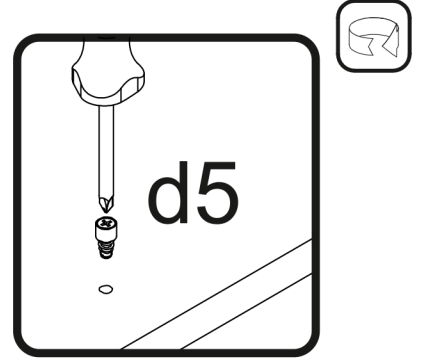
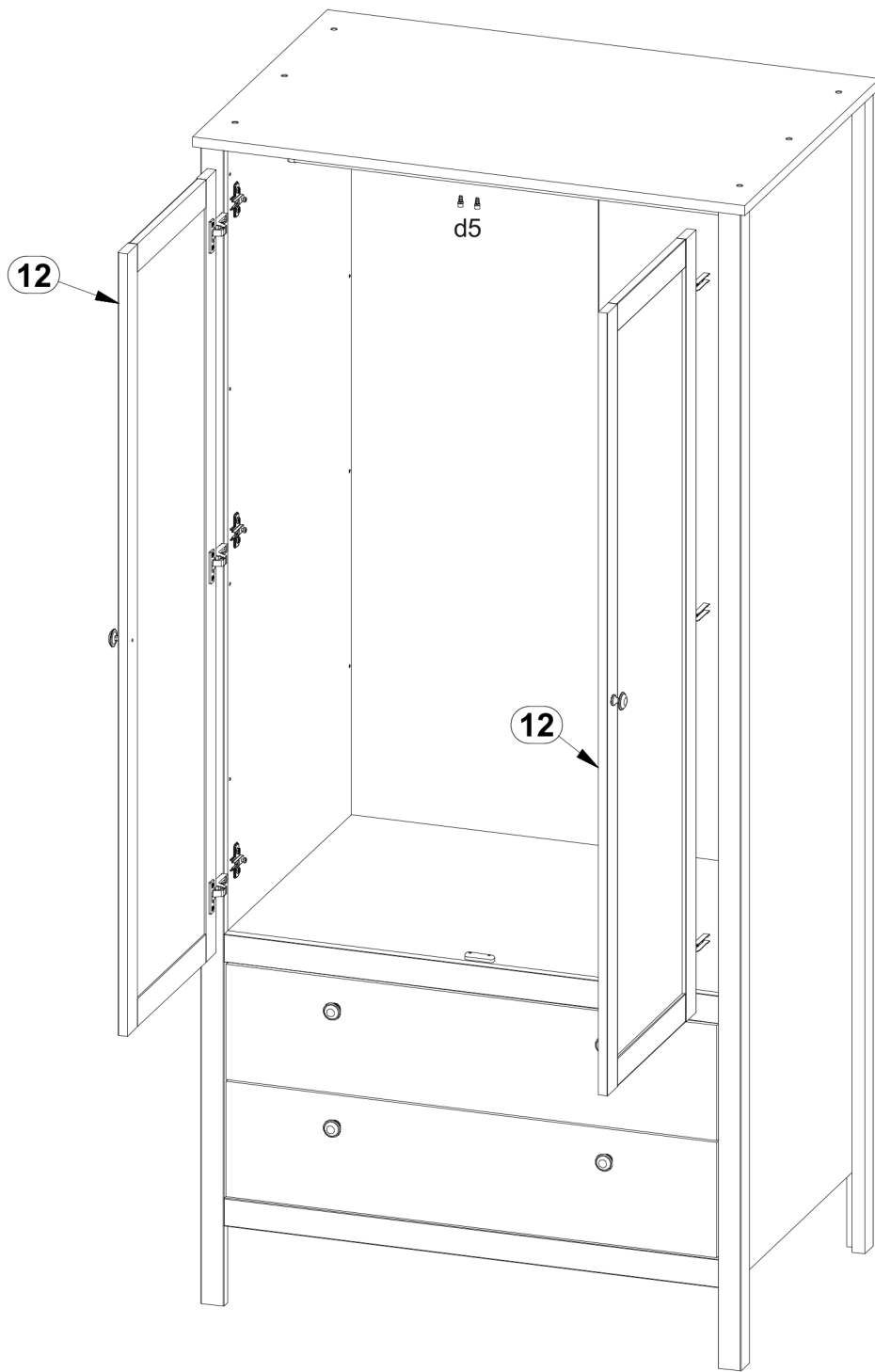
2x
c415

6x
a1



13

2x  d5



14

1x
φ5x60 mm p17

1x
φ10x50 mm f35

1x 86x21x15/1,5mm
n14

2x
φ3,5x16 mm p38

