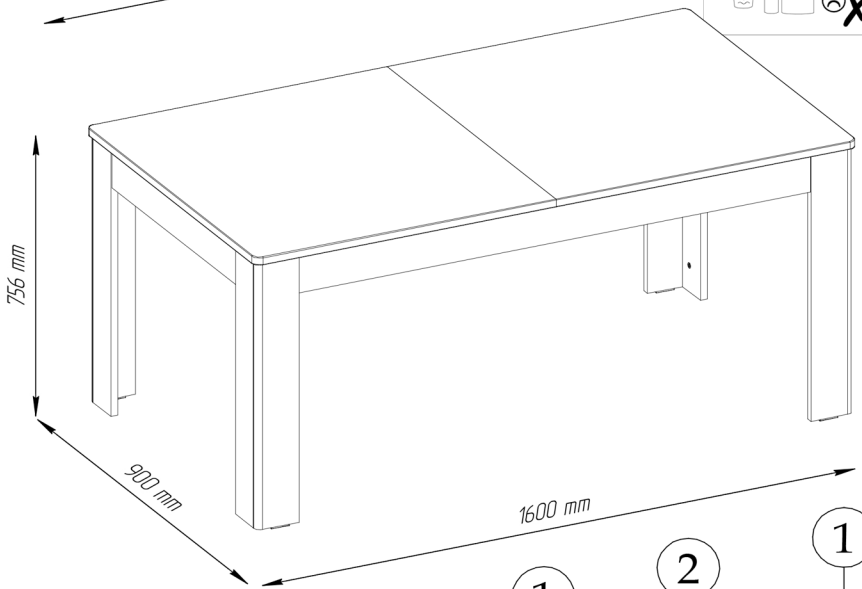
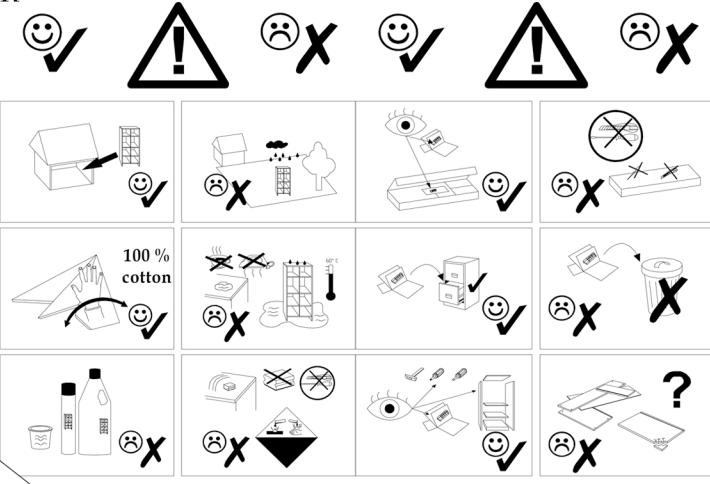
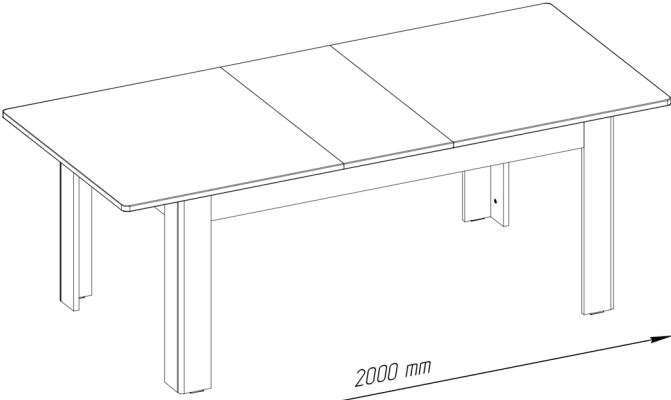
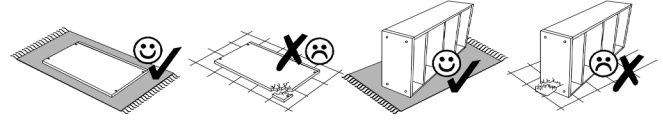
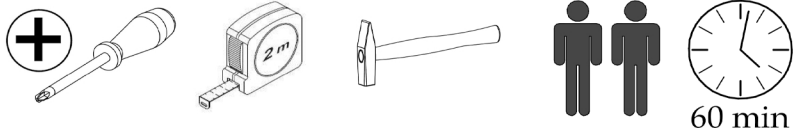
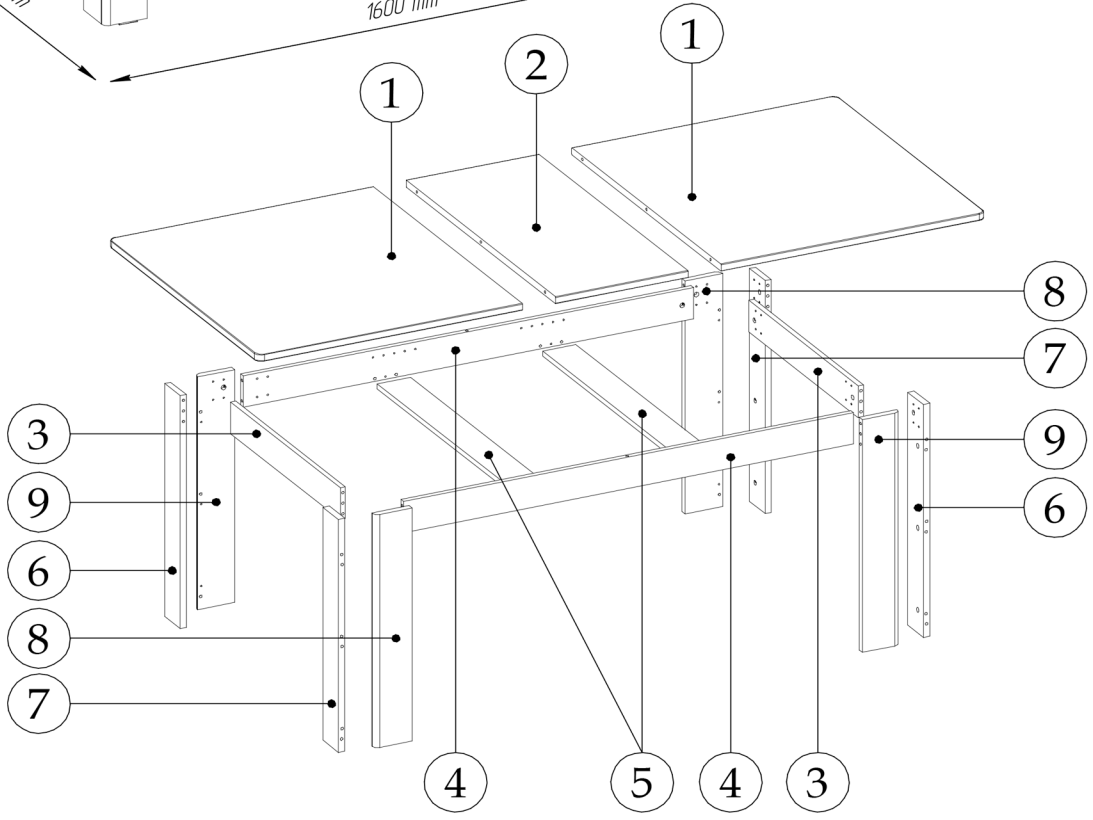
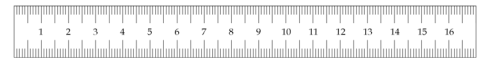
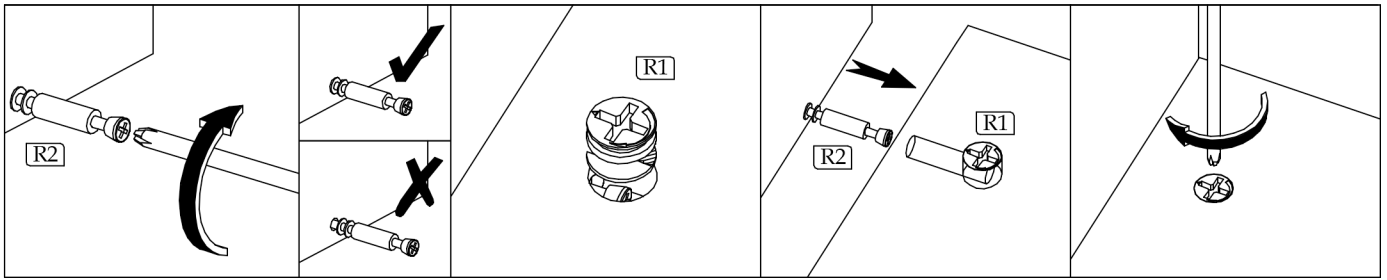


PUSAN S

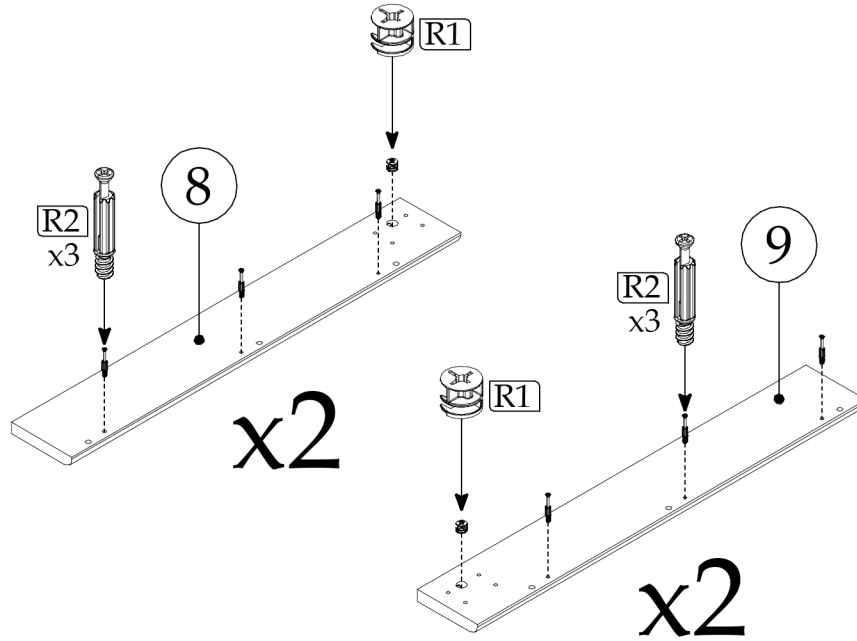


B	x20	B2	x16	E	x8	H	x1	H1	x8	H2	x4
	6x30		6x30		5.5x16		L=700mm				
H3	x4	N3	x4	R1	x32	R2	x16	Element symbol	Measurements	Code	Part
								1	800 900 22 2	1001	1/2
								2	400 900 22 1	1003	1/2
								3	660 98 16 2	1004	1/2
								4	1360 98 16 2	1006	2/2
								5	849 100 16 2	1008	1/2
								6	727 94 19 2	3065	1/2
								7	727 94 19 2	3066	1/2
								8	727 113 19 2	3067	1/2
								9	727 113 19 2	3068	1/2

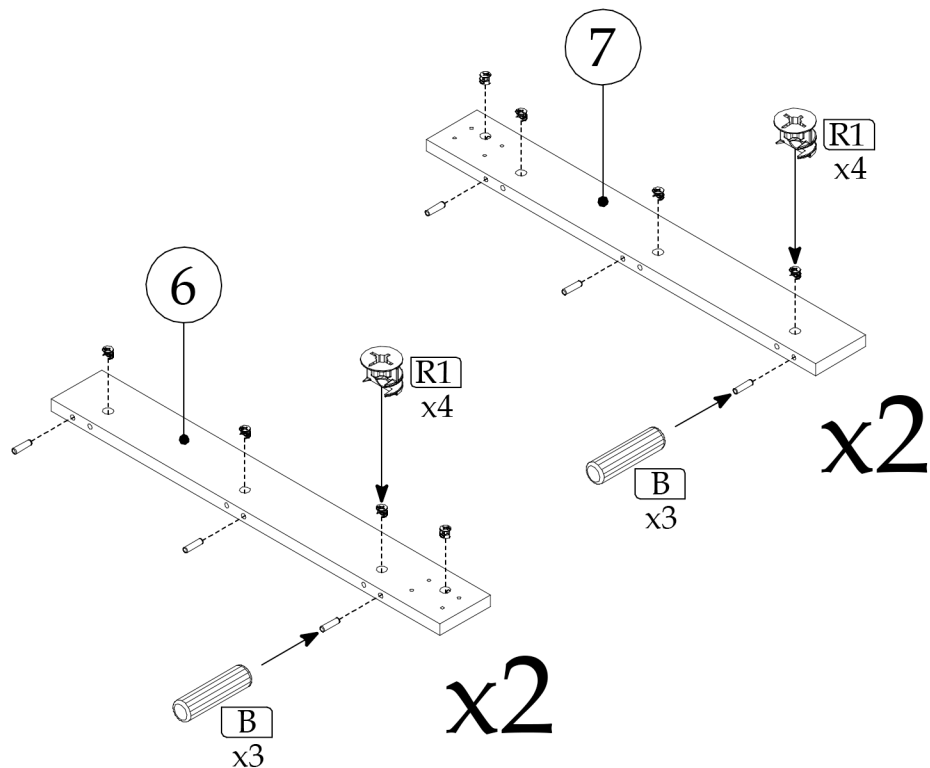




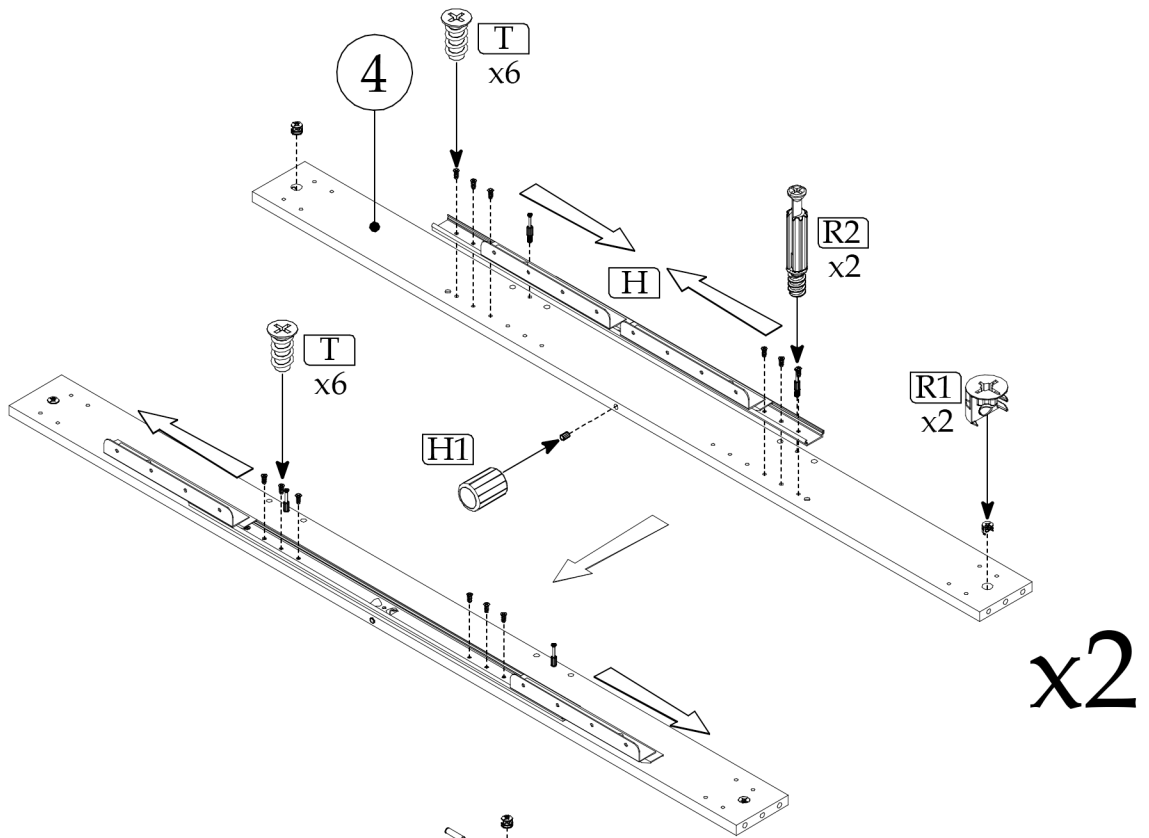
► 1



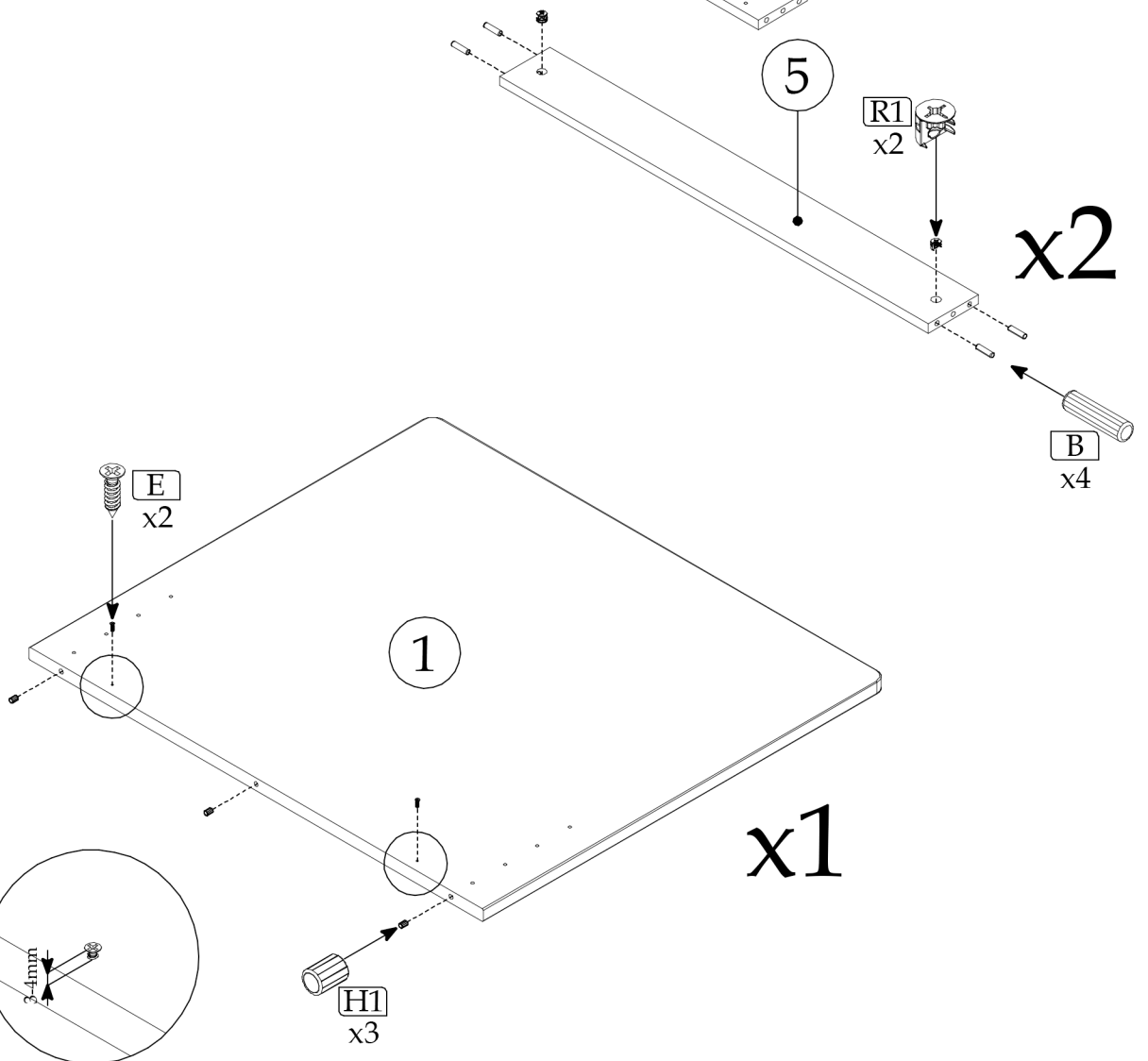
► 2



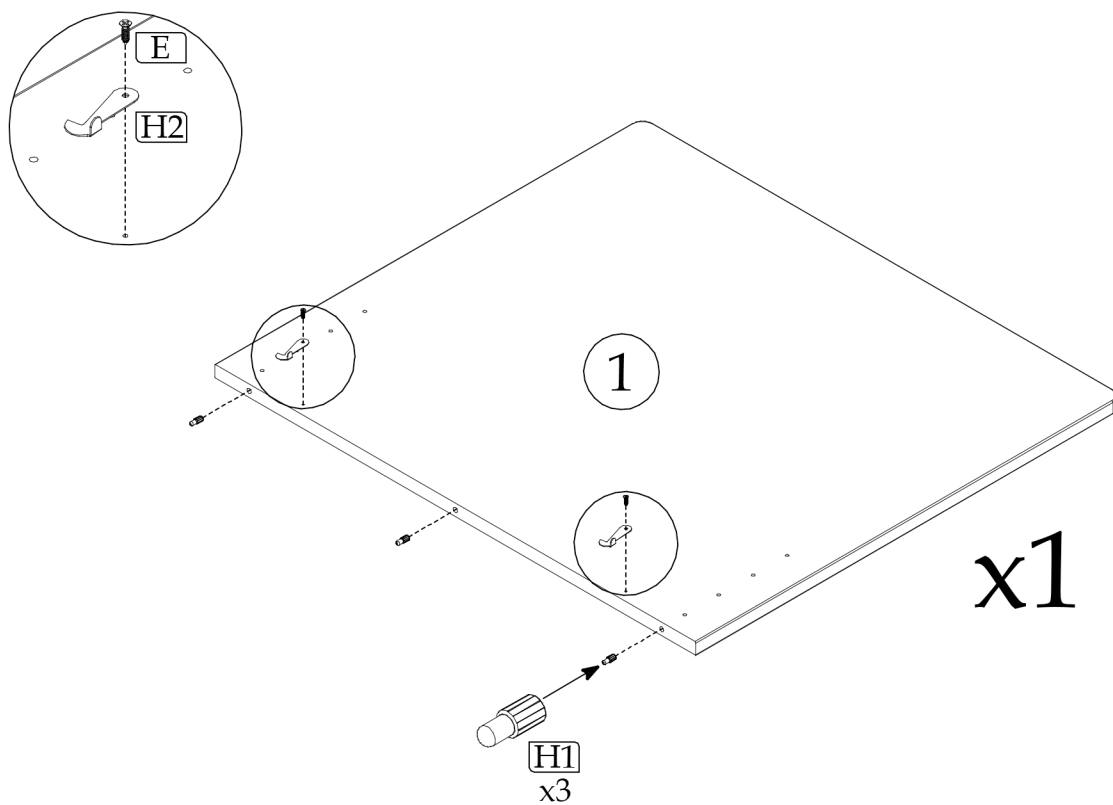
▶ 3



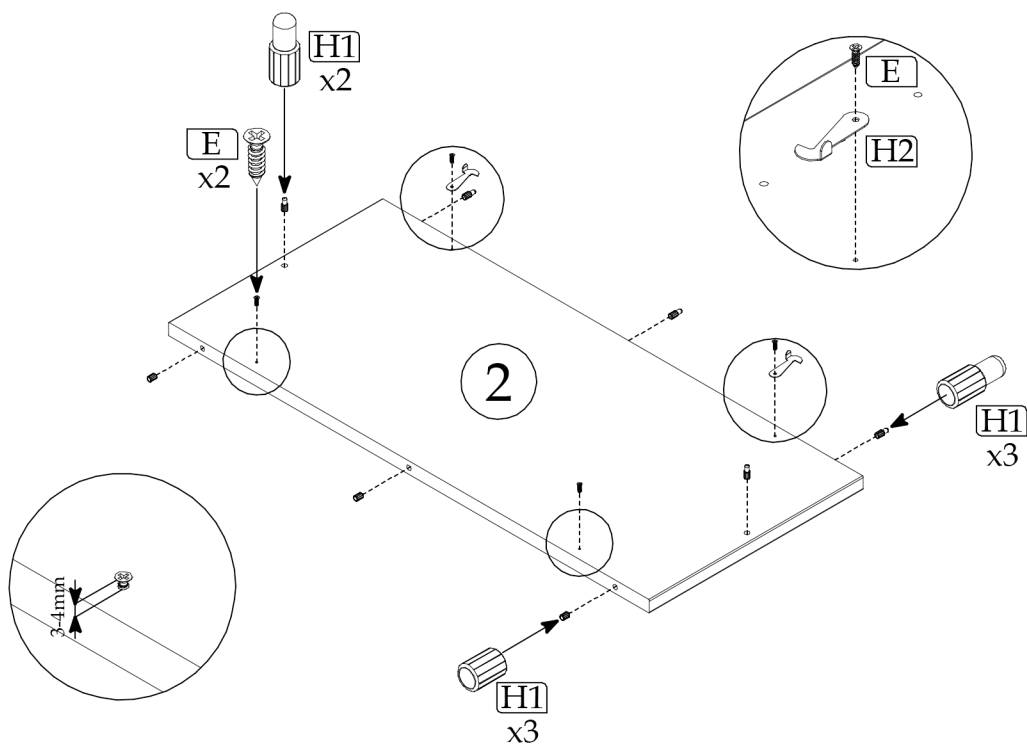
▶ 4



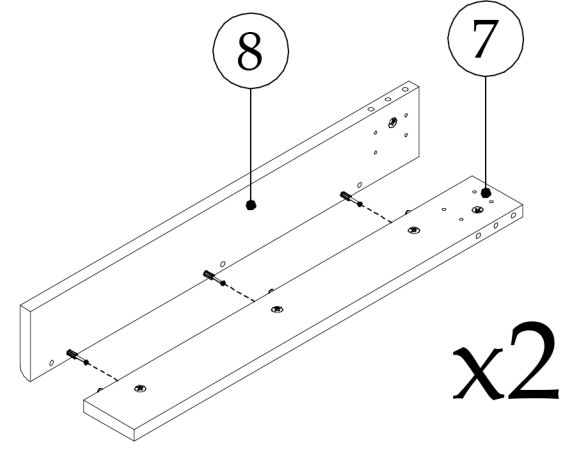
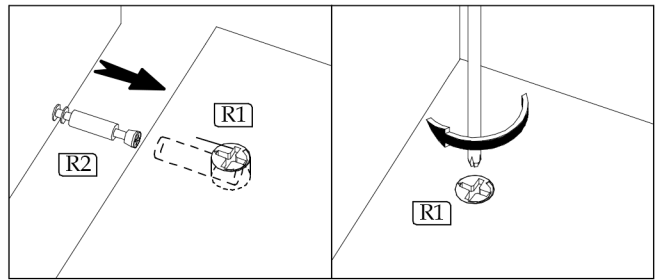
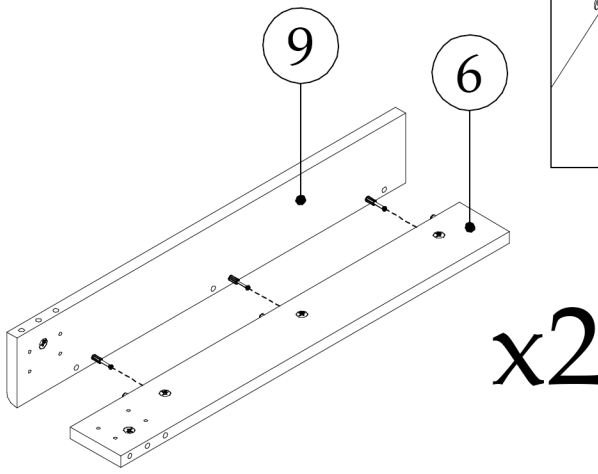
► 5



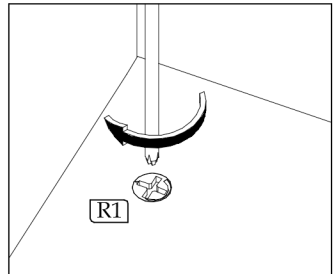
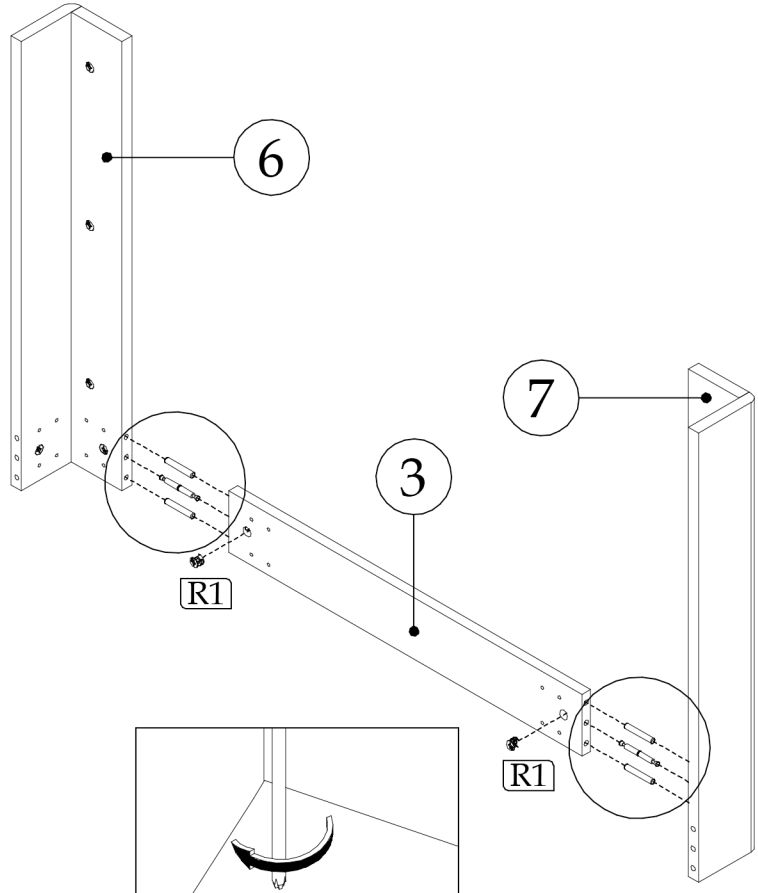
► 6



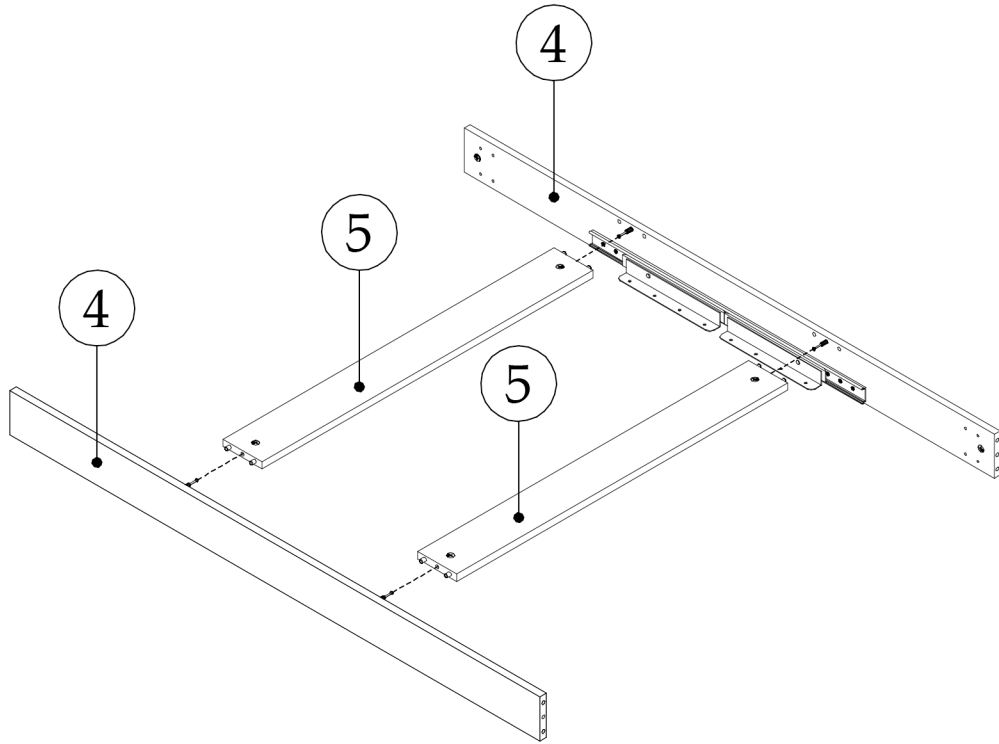
▶ 7



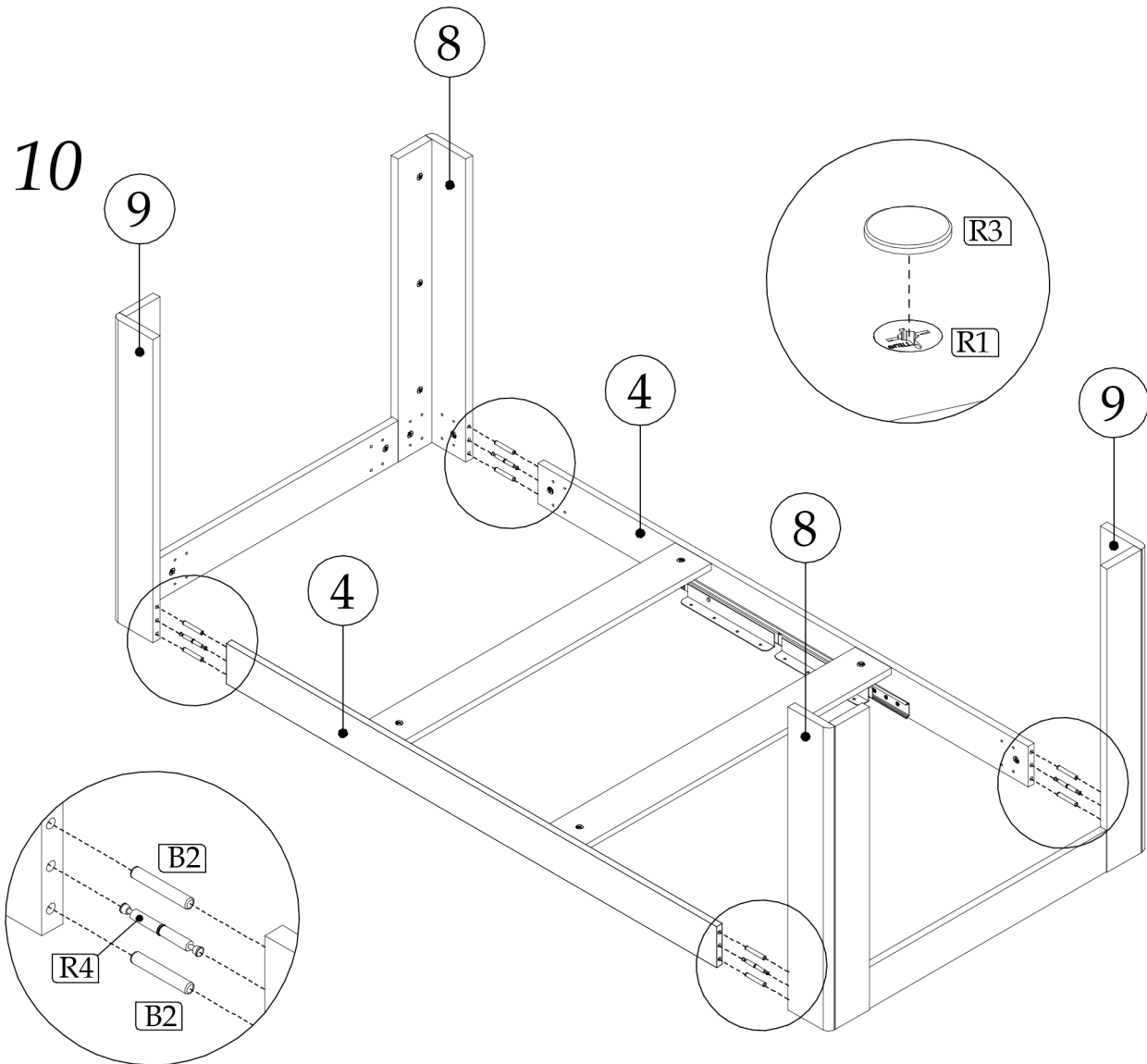
▶ 8



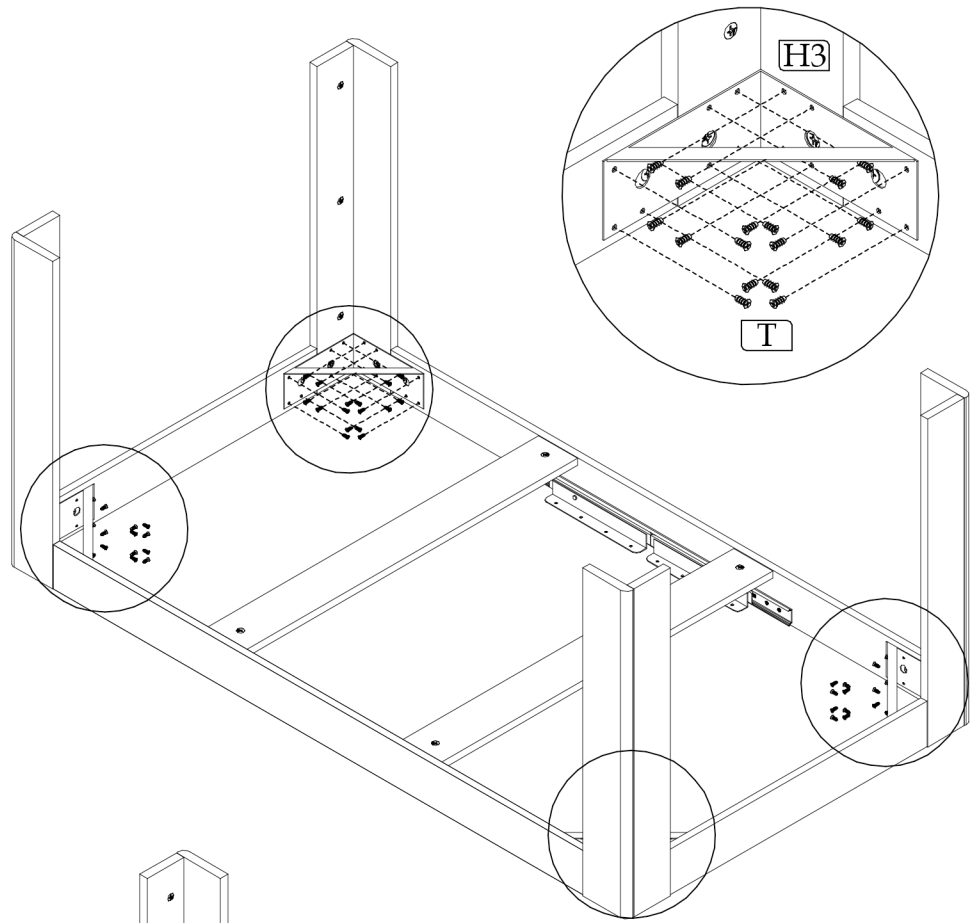
► 9



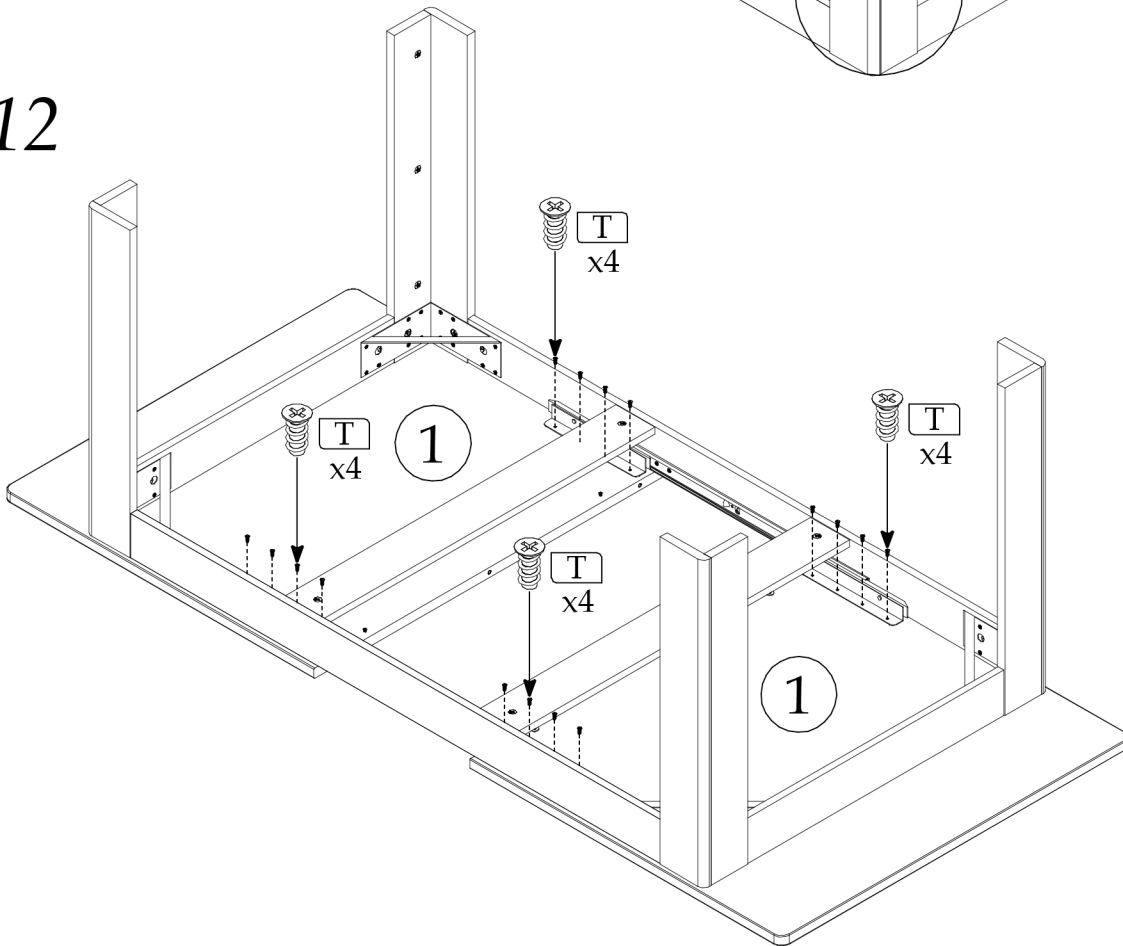
► 10



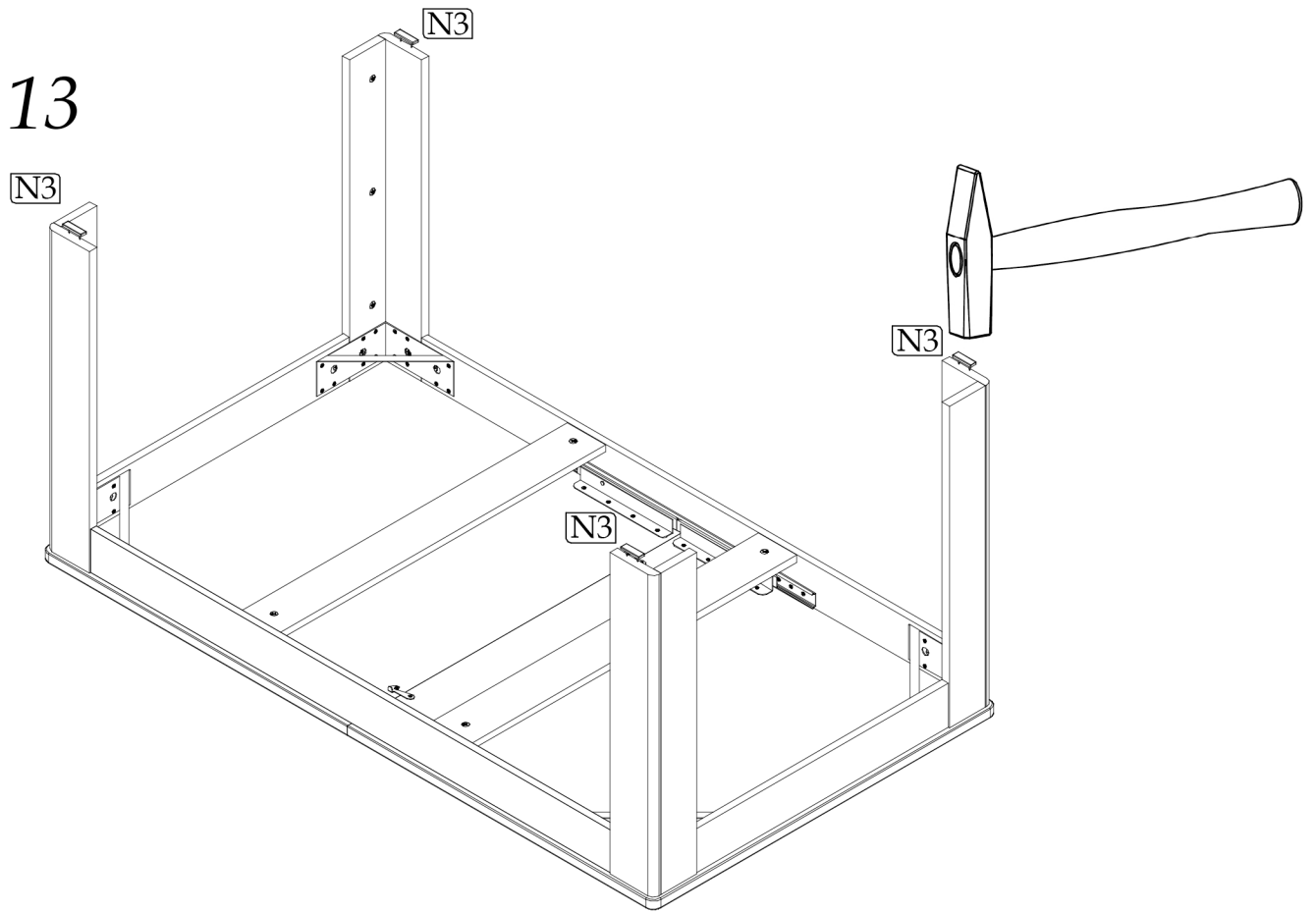
► 11



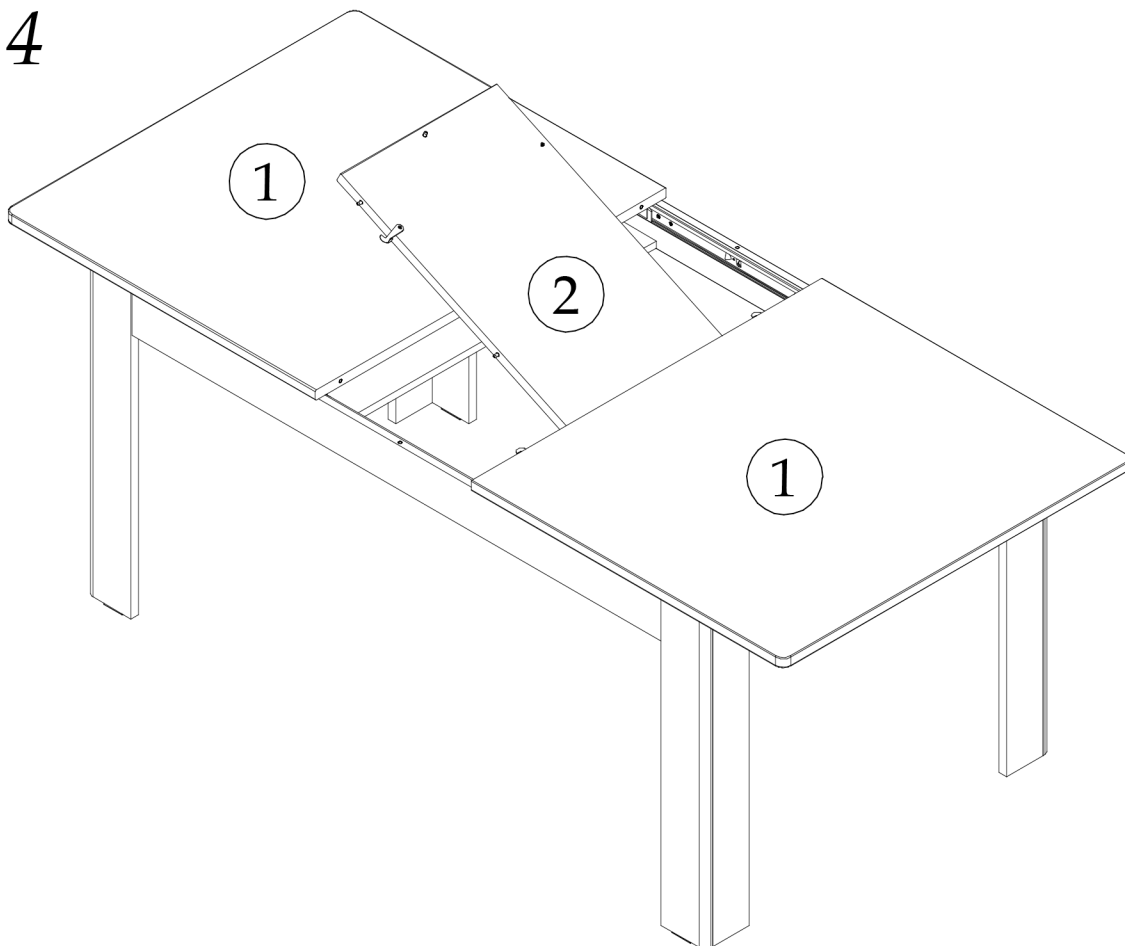
► 12



▶ 13



▶ 14



► 15

