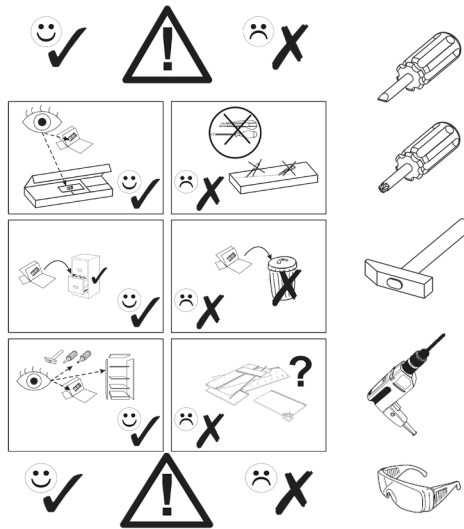
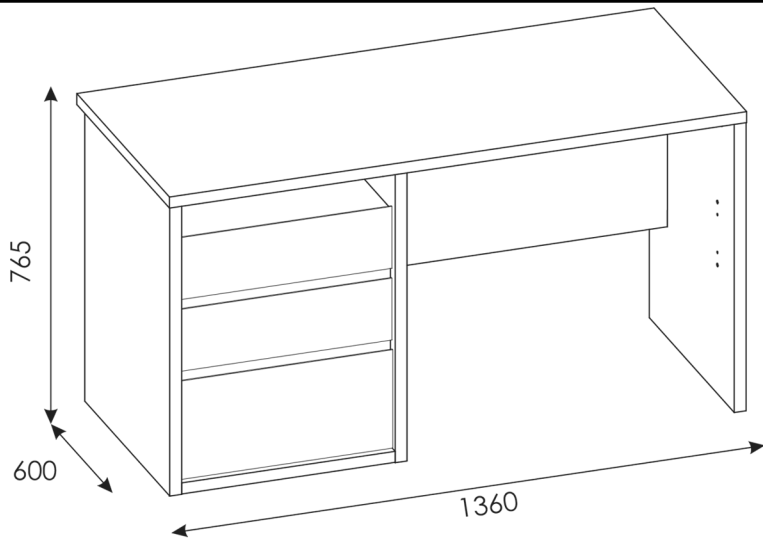
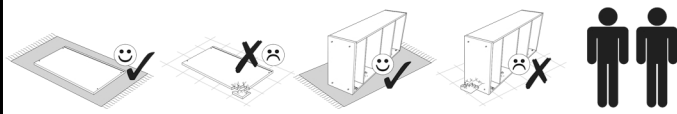
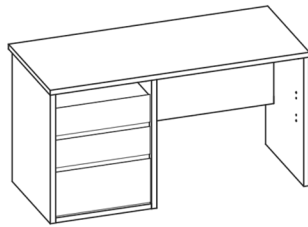


SHELDON - 80

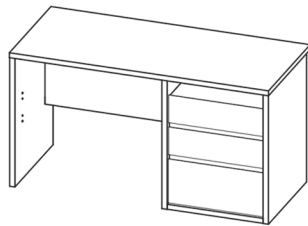


1	732	550	28	x1	1/2
2	732	550	28	x1	1/2
3	732	550	28	x1	1/2
4	1360	600	28	x1	2/2
5	503	450	28	x1	1/2
6	503	419	16	x1	1/2
7	503	60	16	x2	1/2
8	503	99	16	x1	2/2
9	771	250	16	x1	2/2
10	497	157	16	x2	1/2
11	497	250	16	x1	1/2
12	447	80	16	x2	2/2
13	447	150	16	x1	2/2
14	350	80	16	x2	2/2
15	350	80	16	x2	2/2
16	477	355	3	x3	2/2
17	350	150	16	x1	2/2
18	350	150	16	x1	2/2
19	602	513	3	x1	1/2

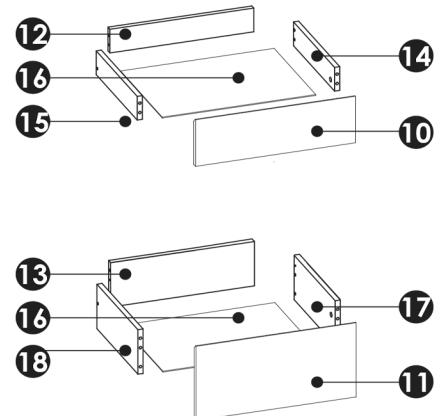
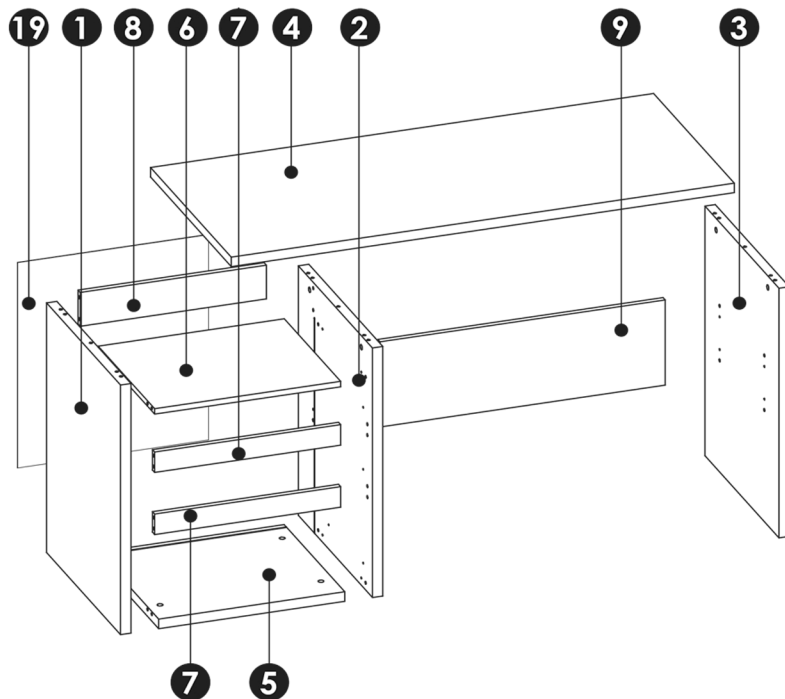
6b-11b

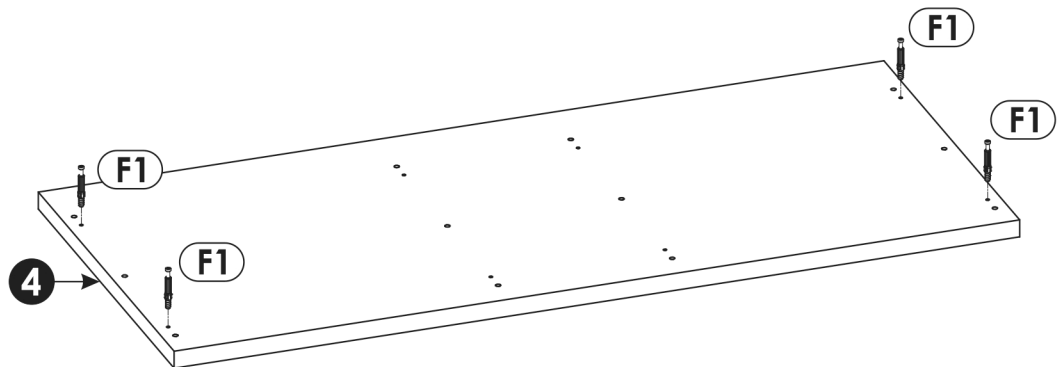
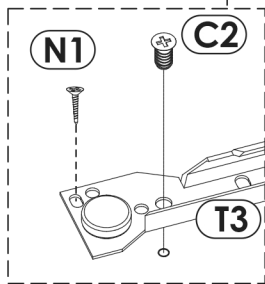
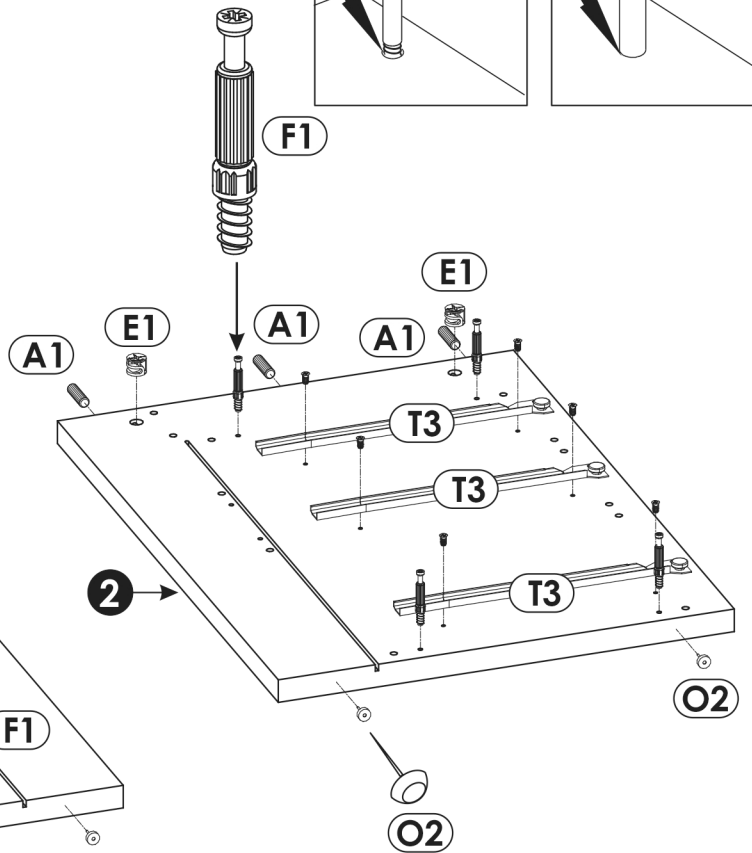
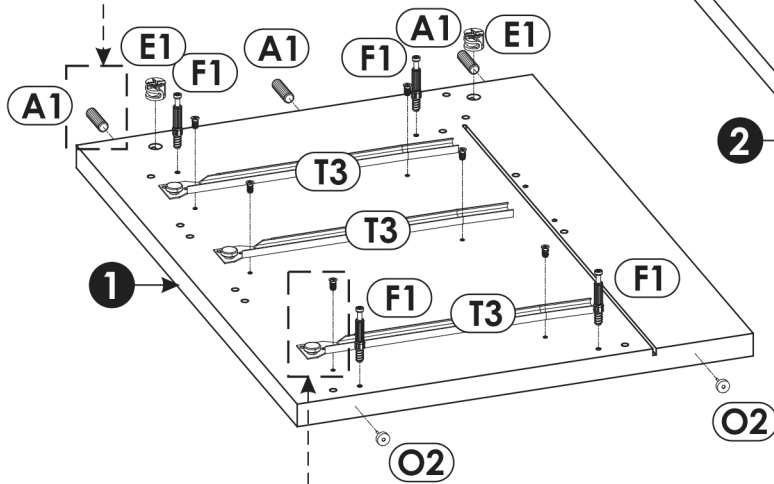
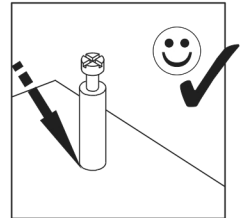
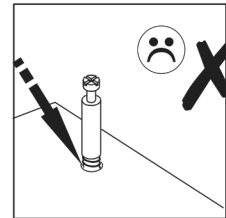
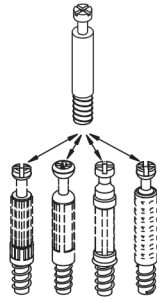
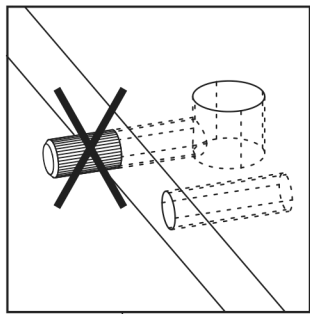
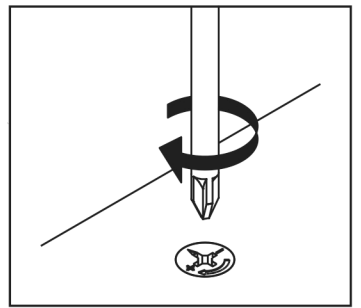
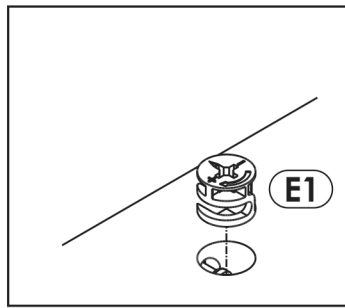
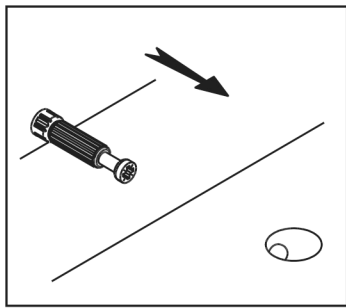
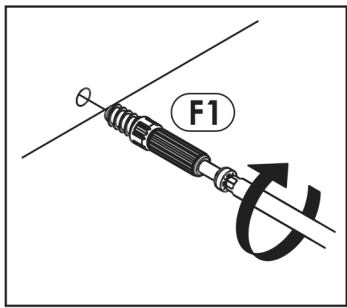


6a-11a

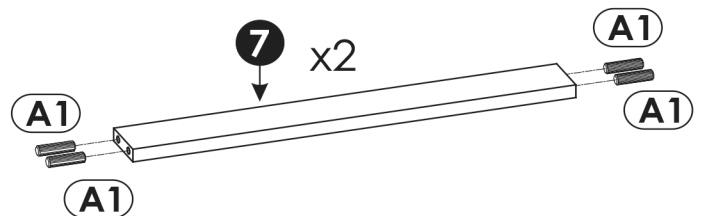
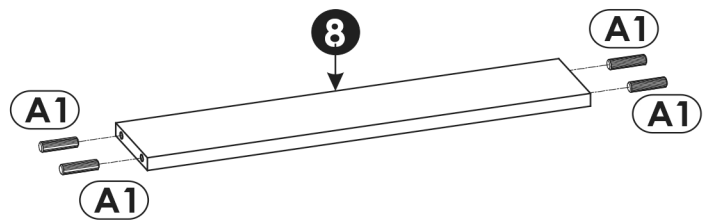
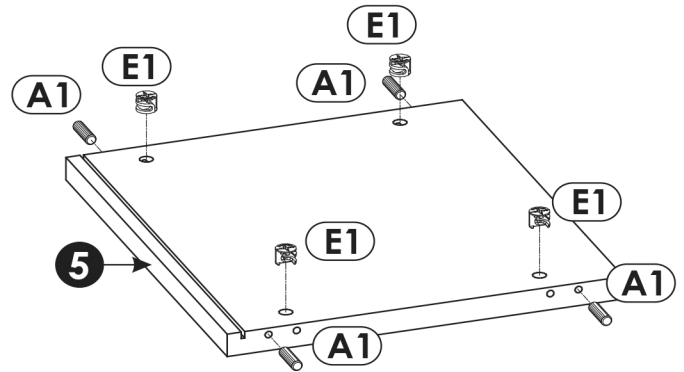
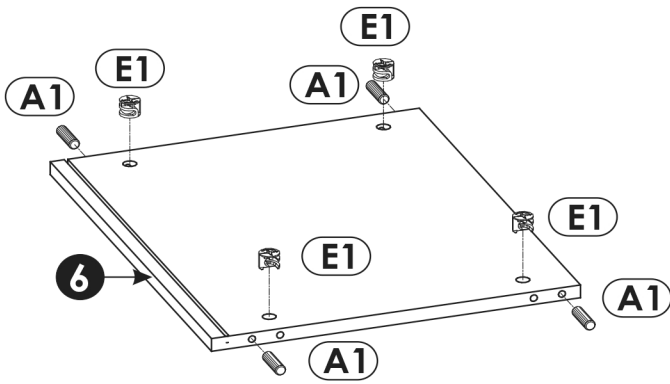
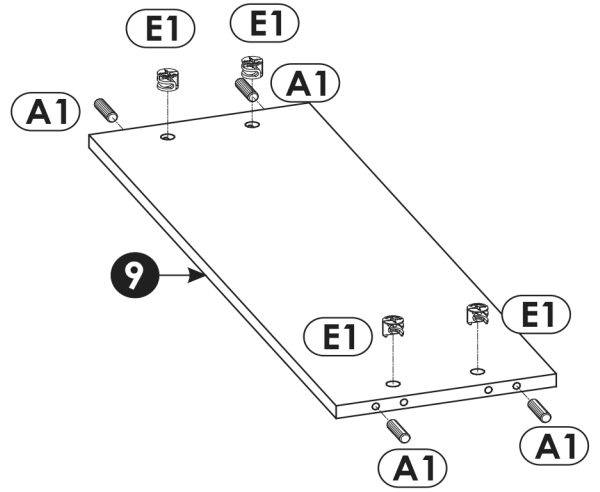
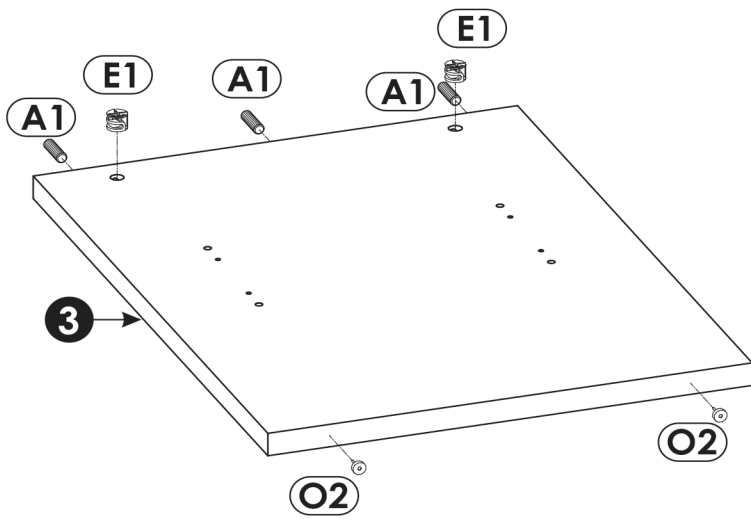


A1 x49 ø8 x 35mm 	C2 x12 EURO 5 x 13mm 	E0 x24
E1 24 ø15 x 12mm 	F1 x24 	G0 x6
G1 x6 ø7 x 50mm 	J1 x18 US 3 x 20mm 	M x1
N1 x20 US 3 x 16mm 	O2 x6 	P0 x8 ø5
P9 x 9 ø8 	R4 x9 	R8 x6
T3 x3 	Z x1 	
L-350 		

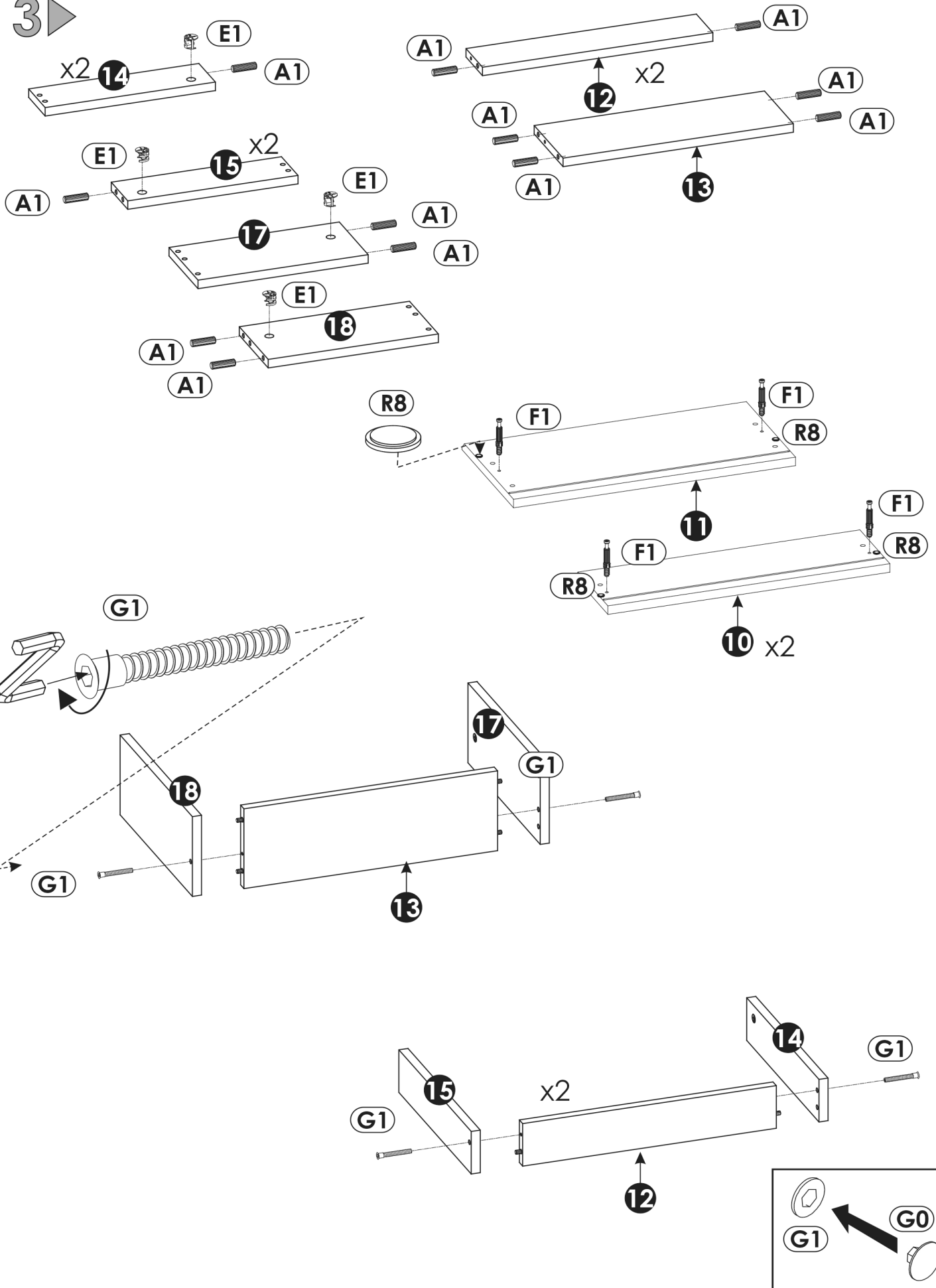




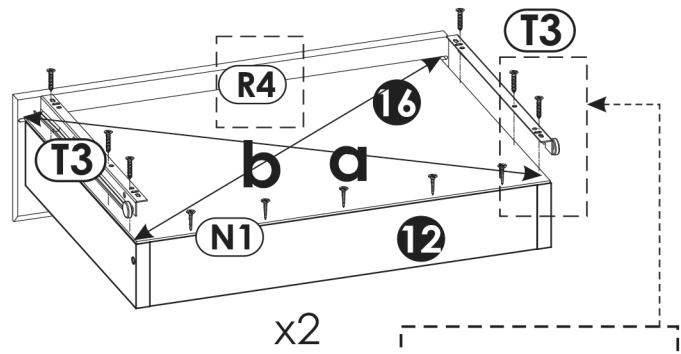
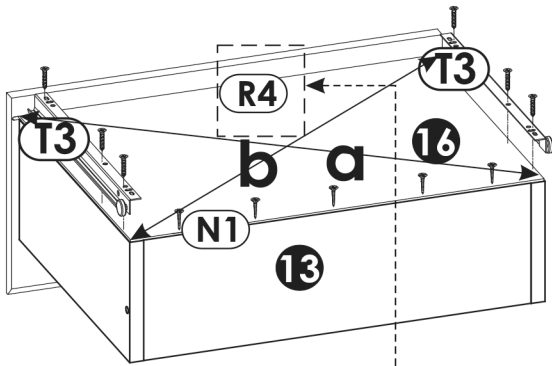
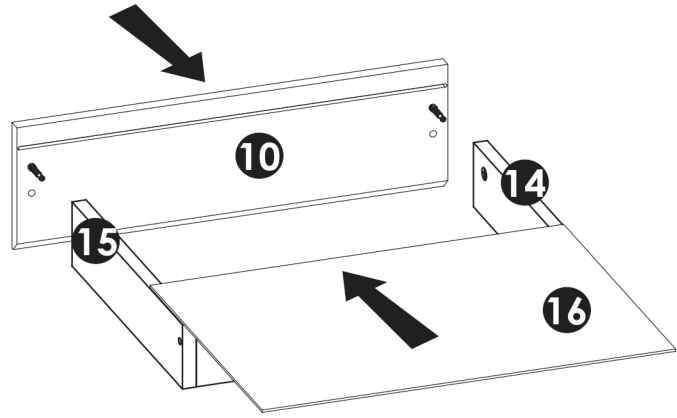
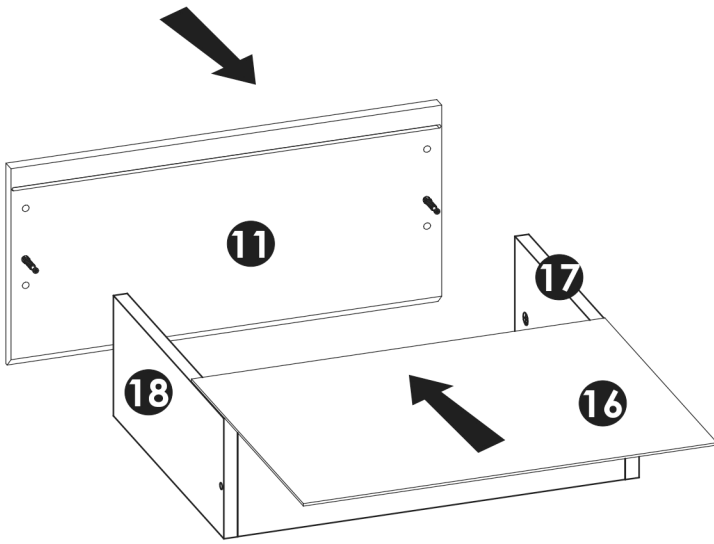
2 ▶



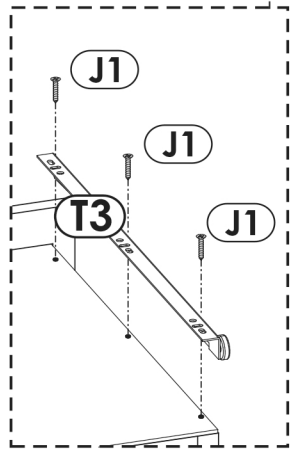
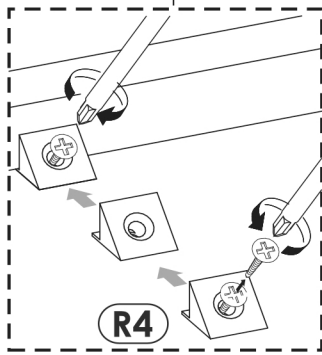
3 ▶



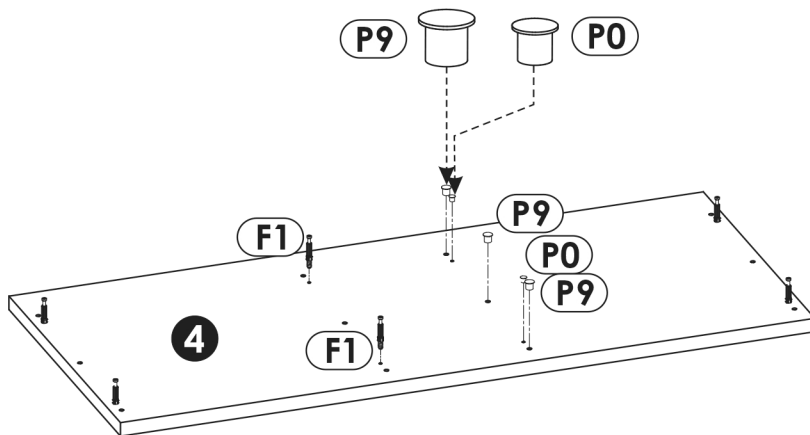
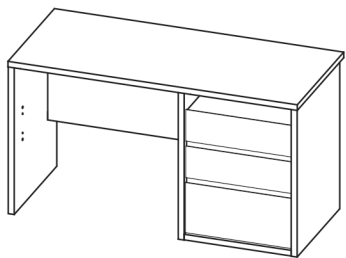
5 ▶



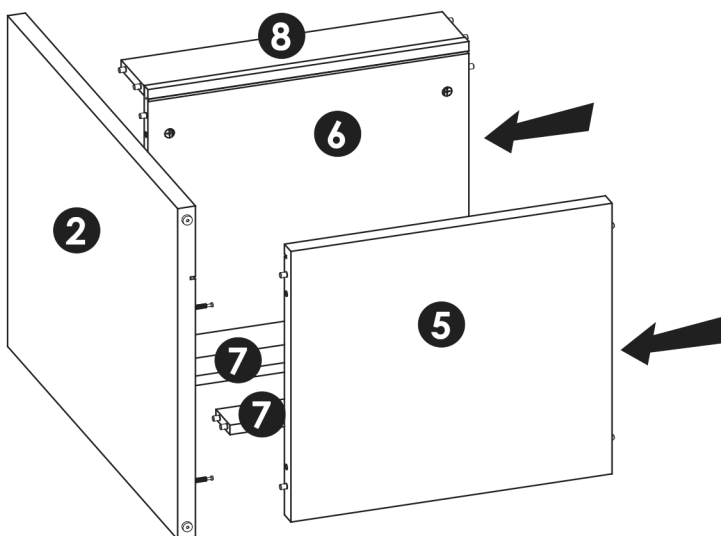
$a=b$



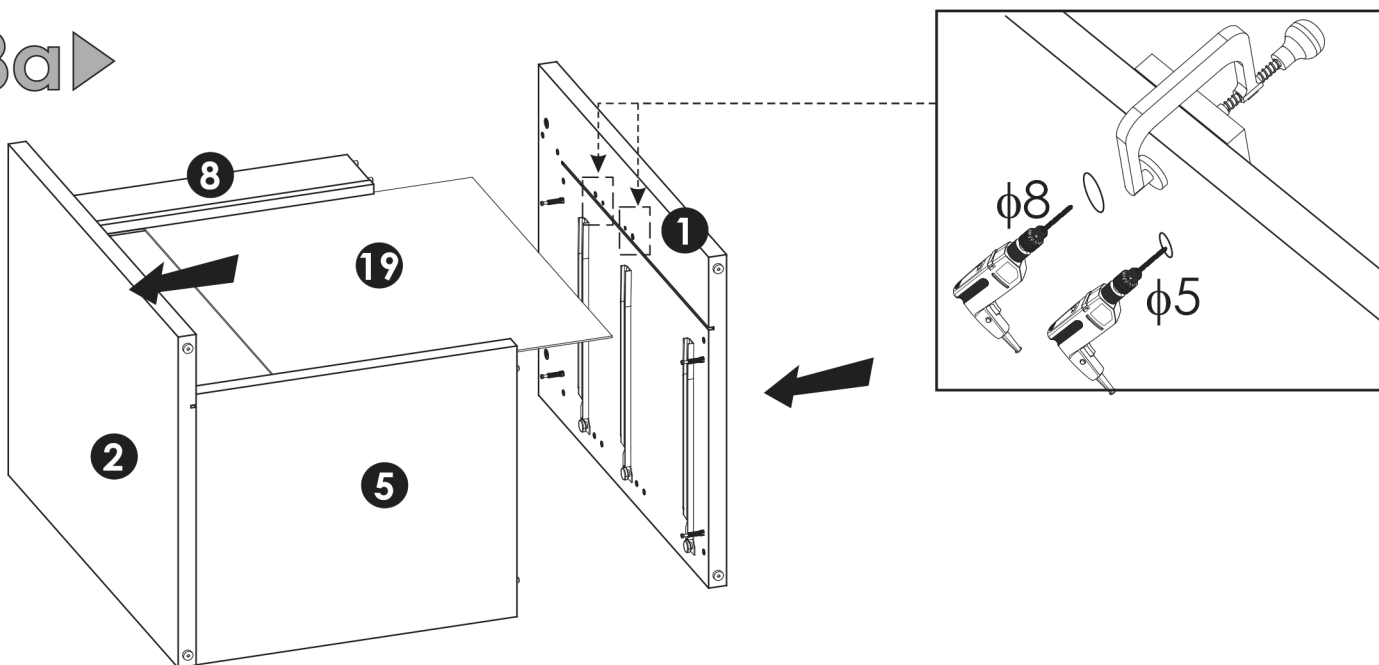
6a ▶



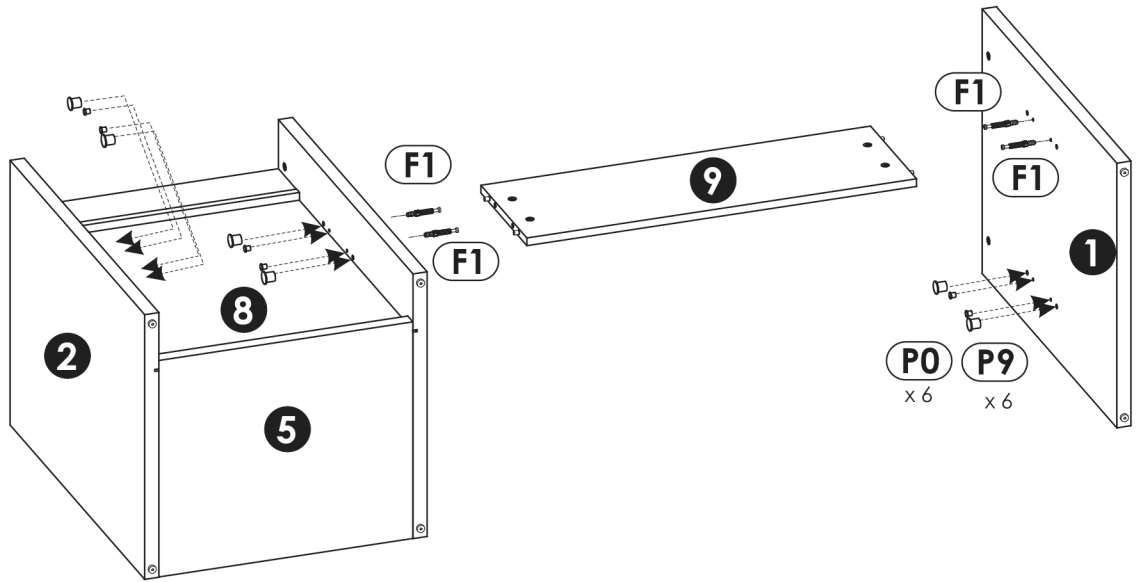
7a ▶



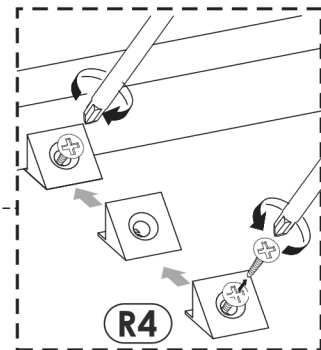
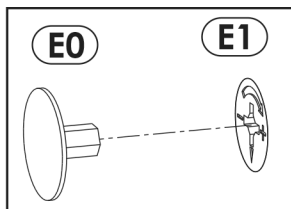
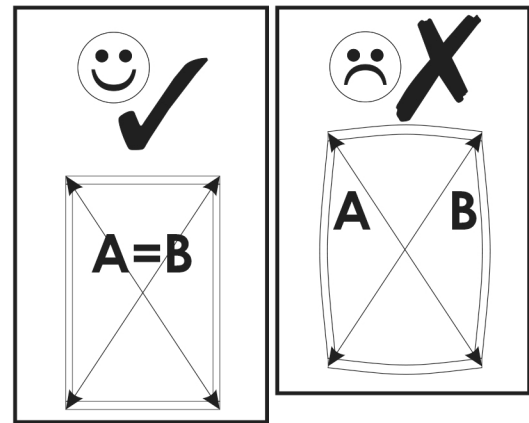
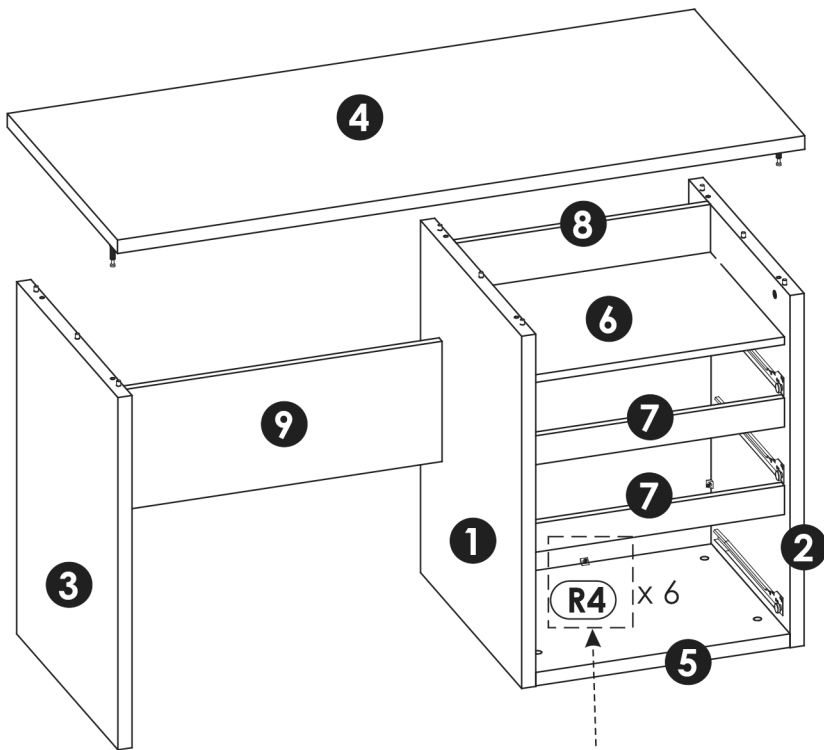
8a ▶



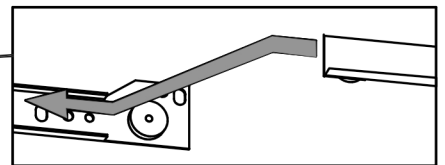
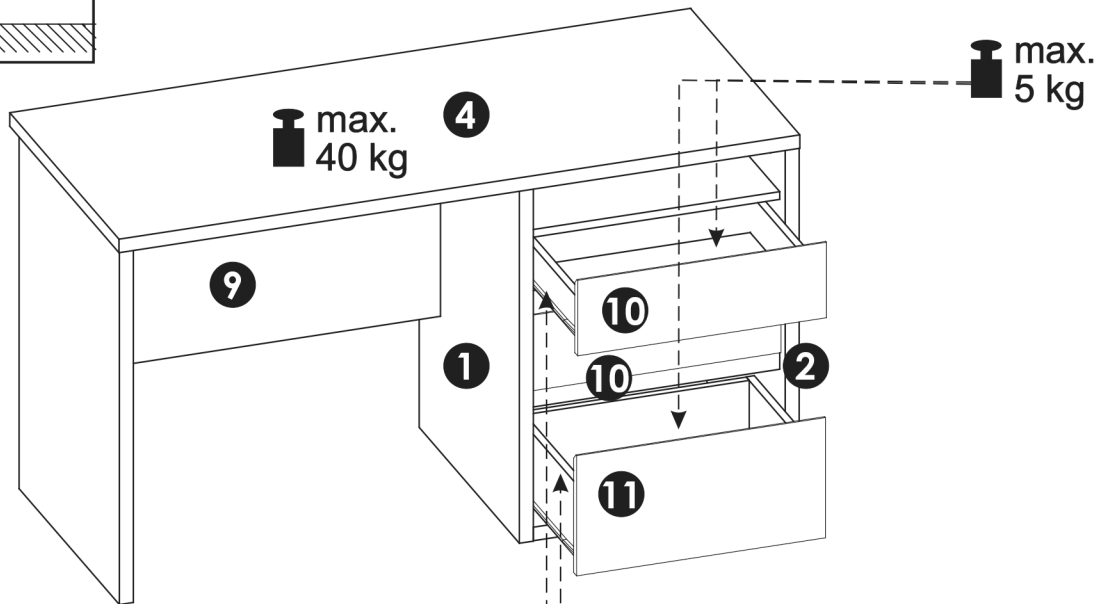
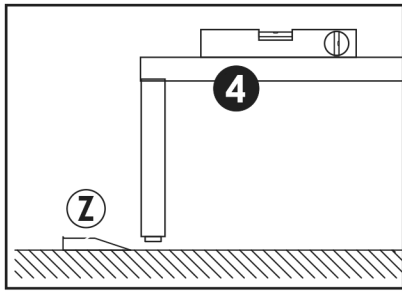
9a ▶



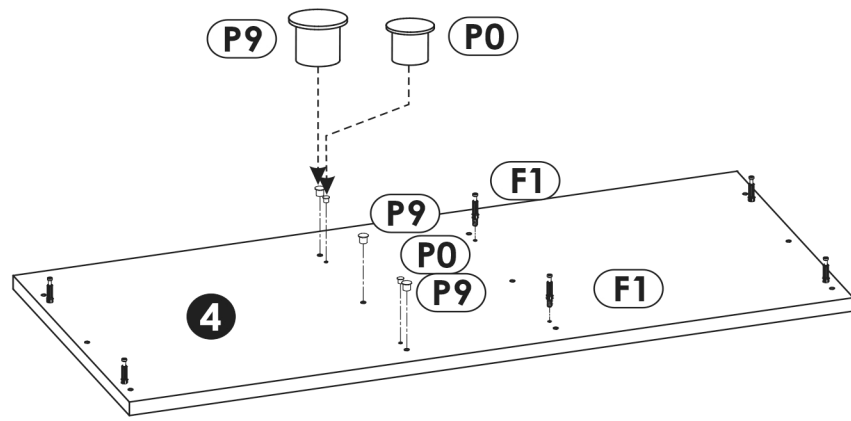
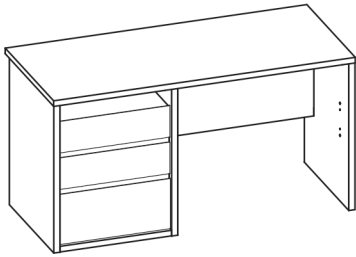
10a ▶



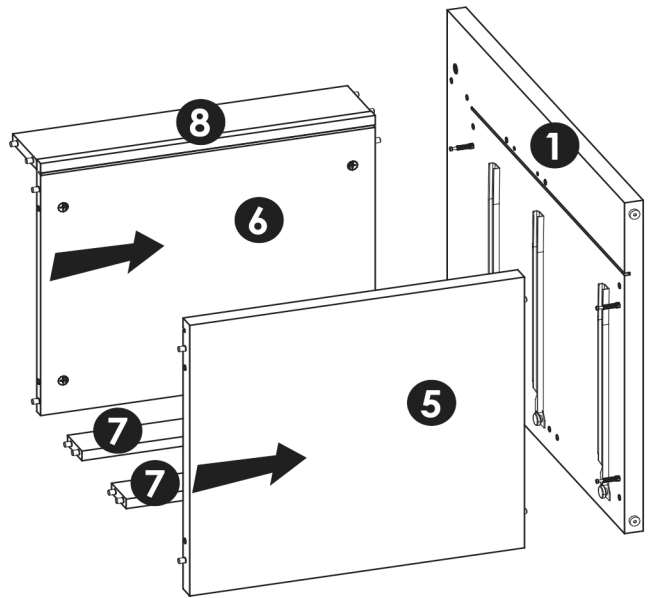
11a ▶



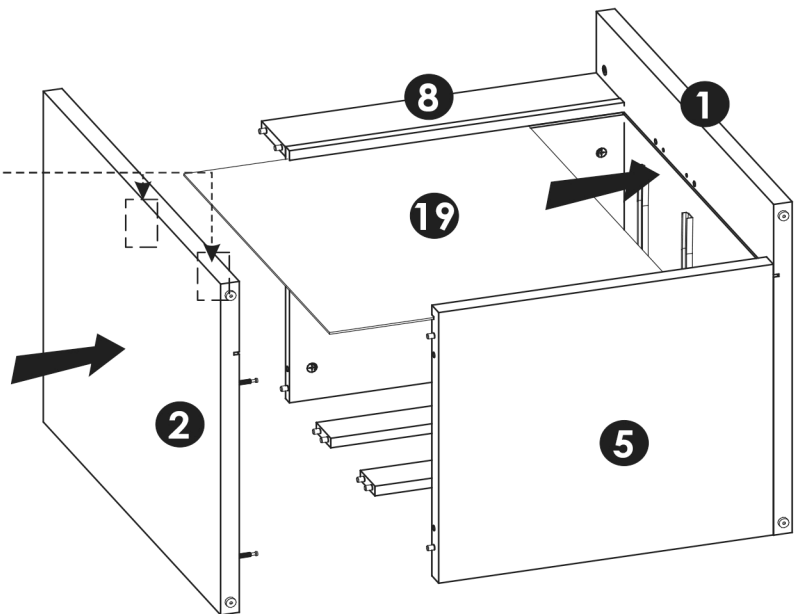
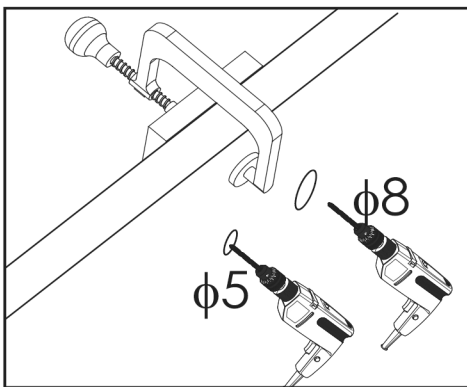
6b ▶



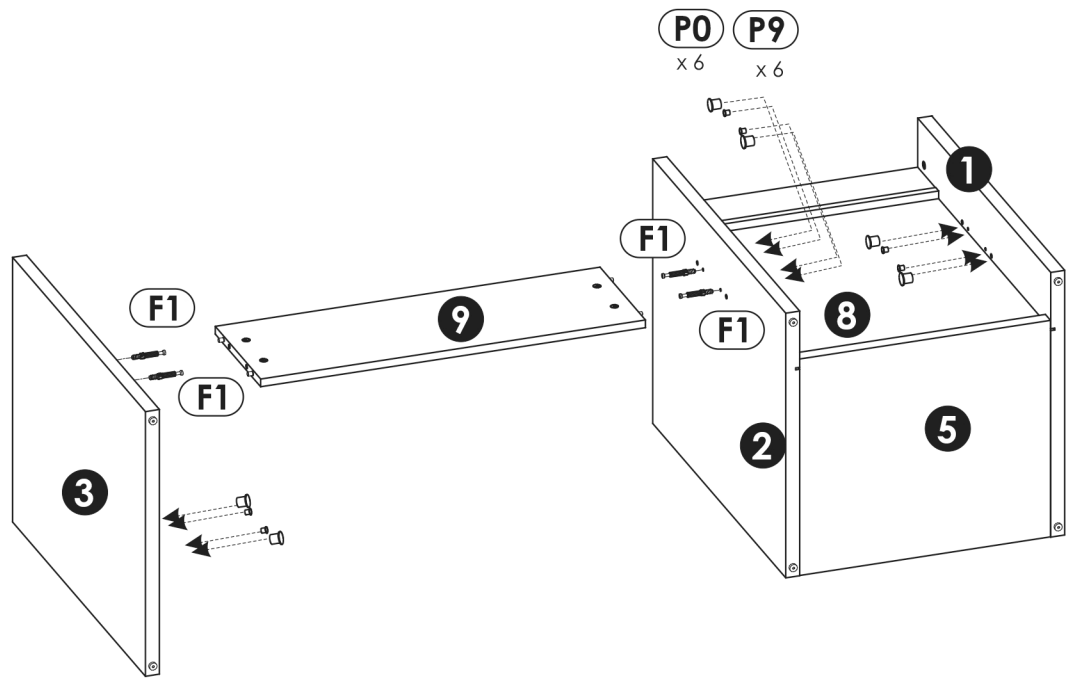
7b ▶



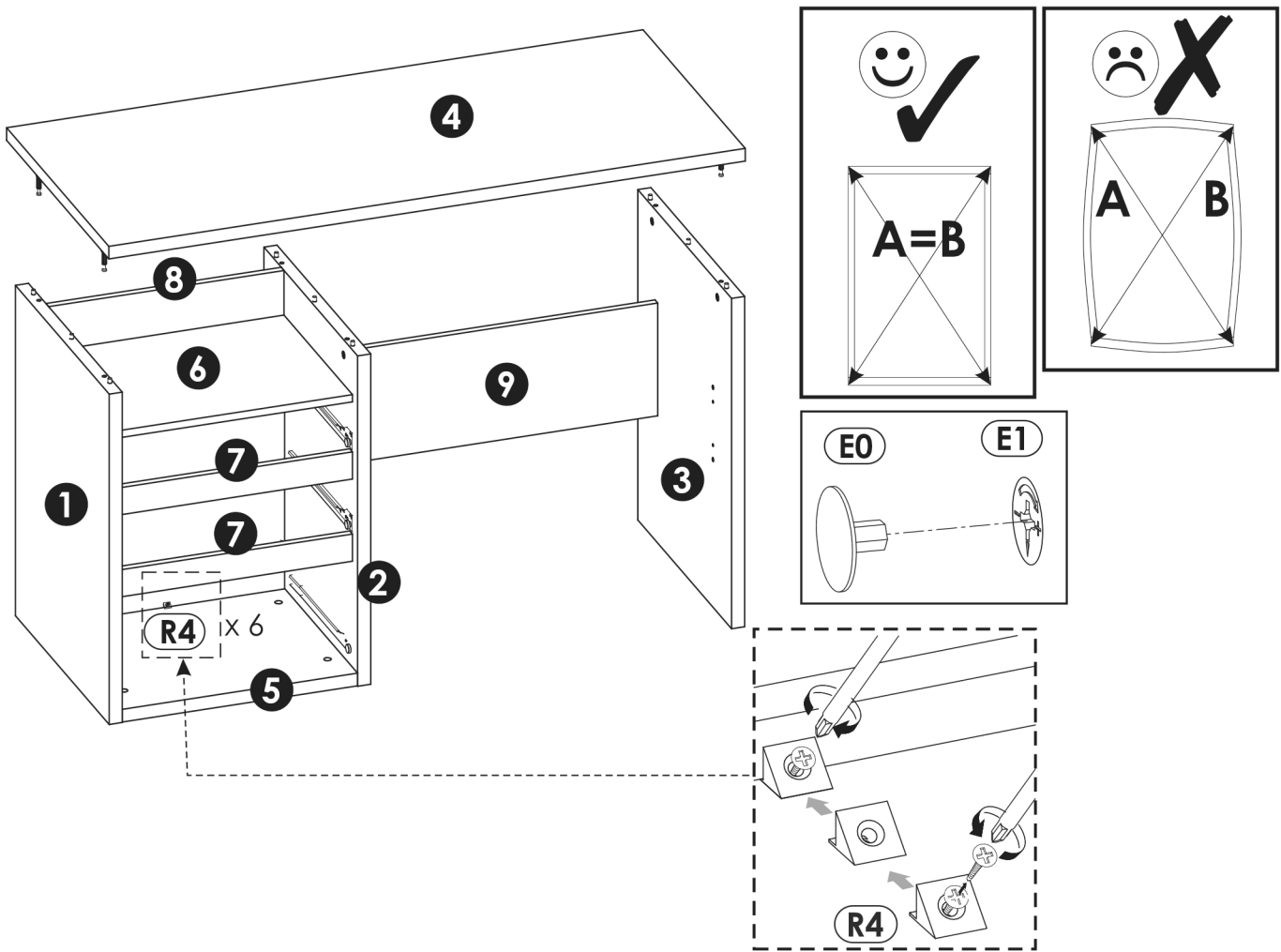
8b ▶



9b ▶



10b ▶



11b ▶

