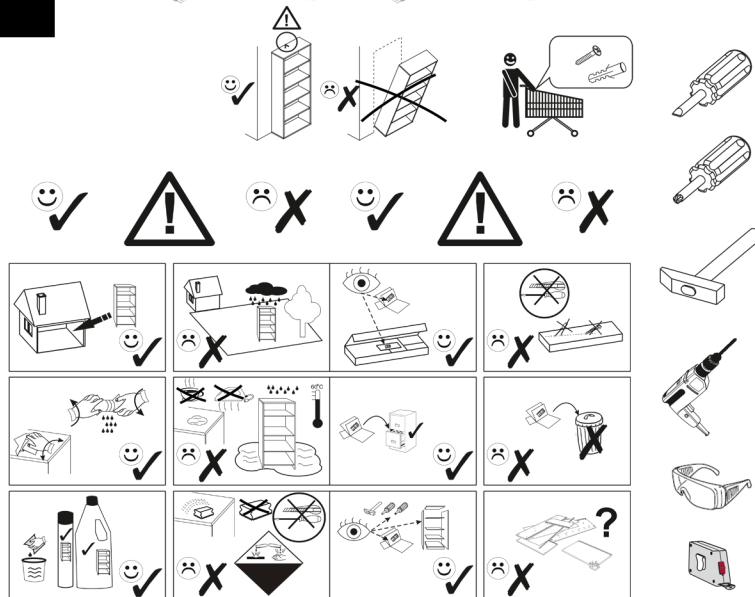
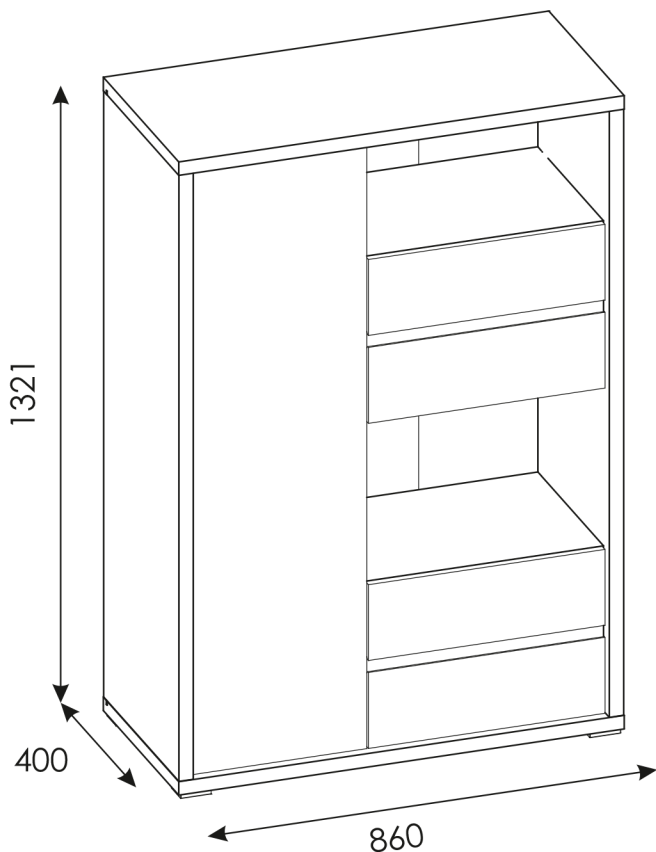
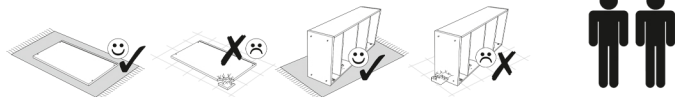
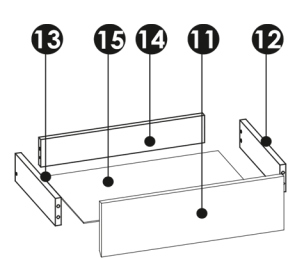
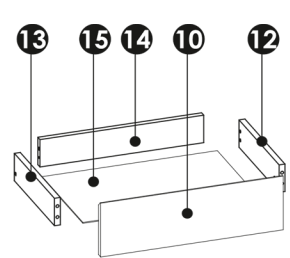
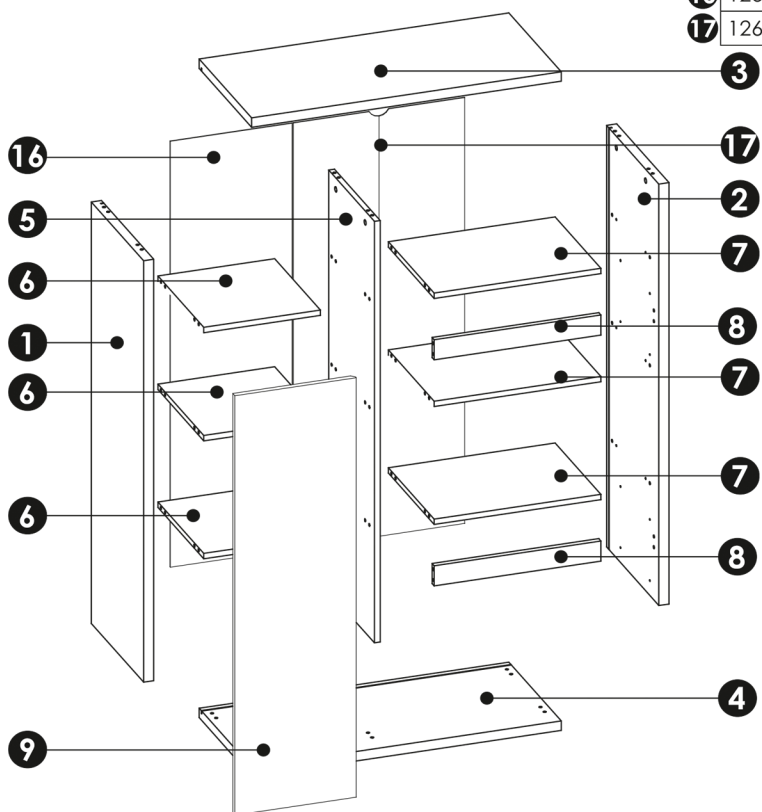


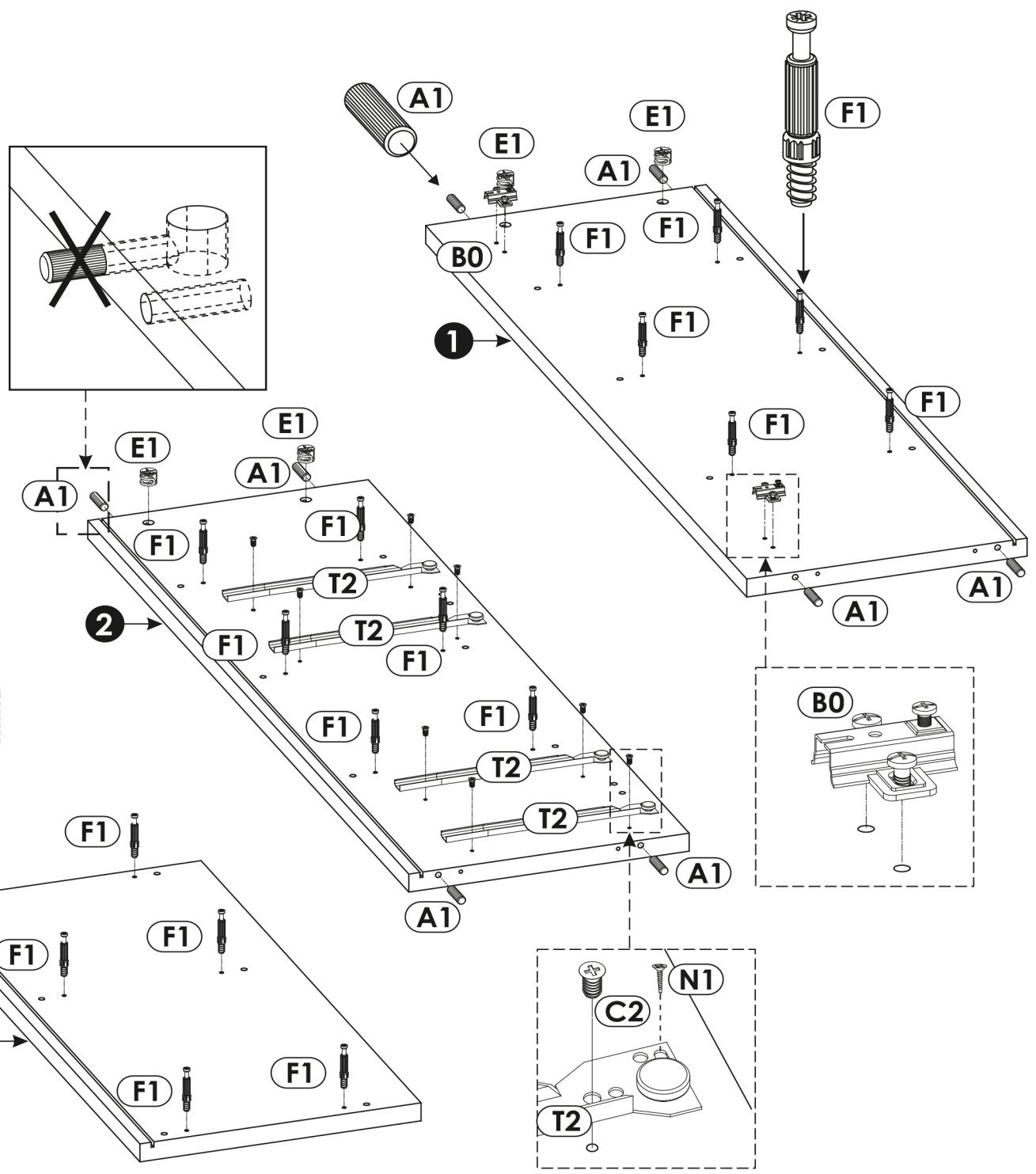
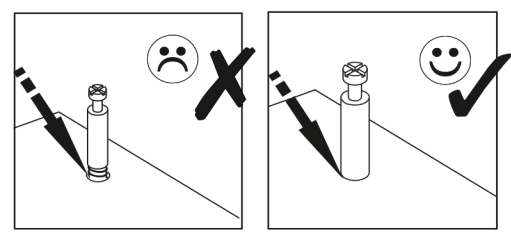
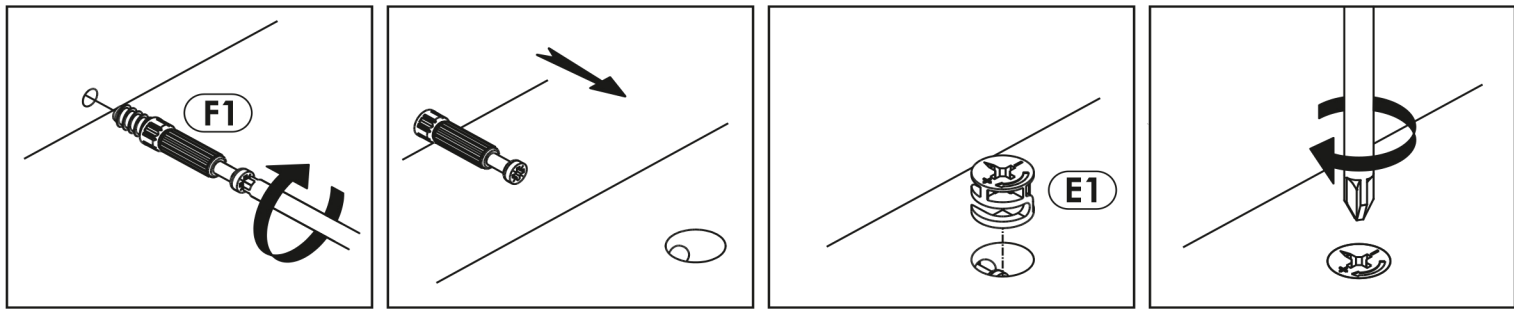
SHELDON - 31



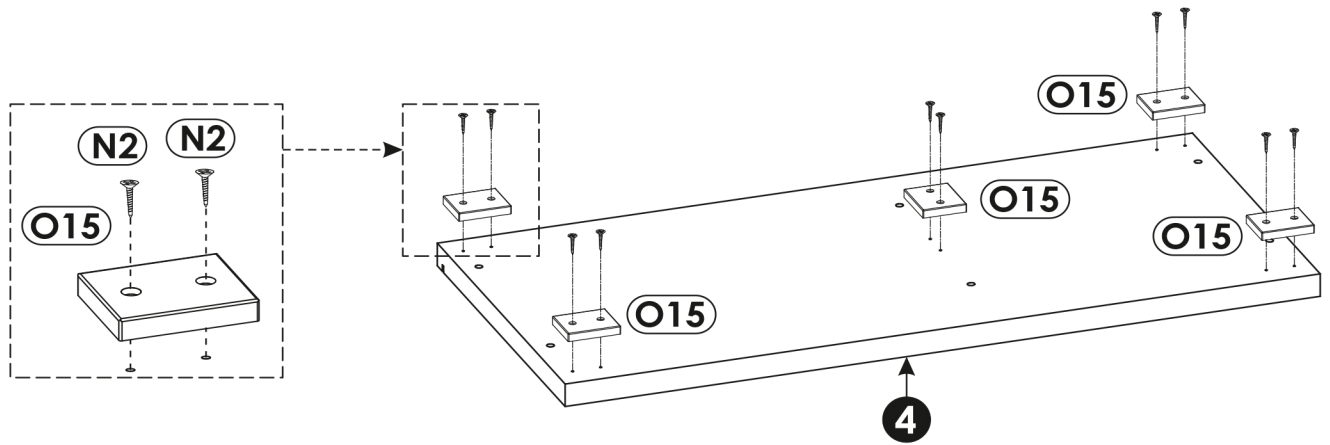
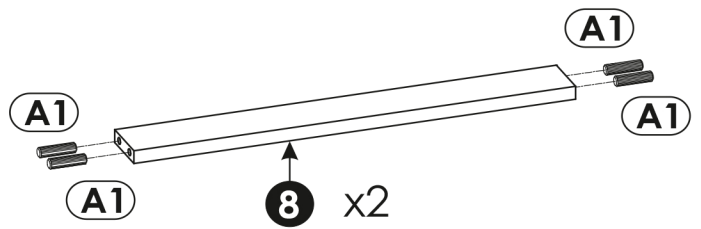
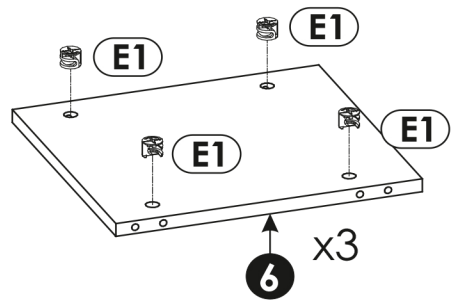
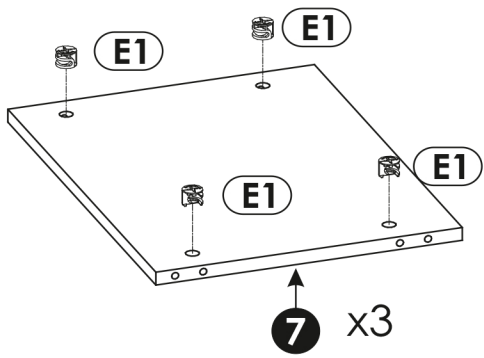
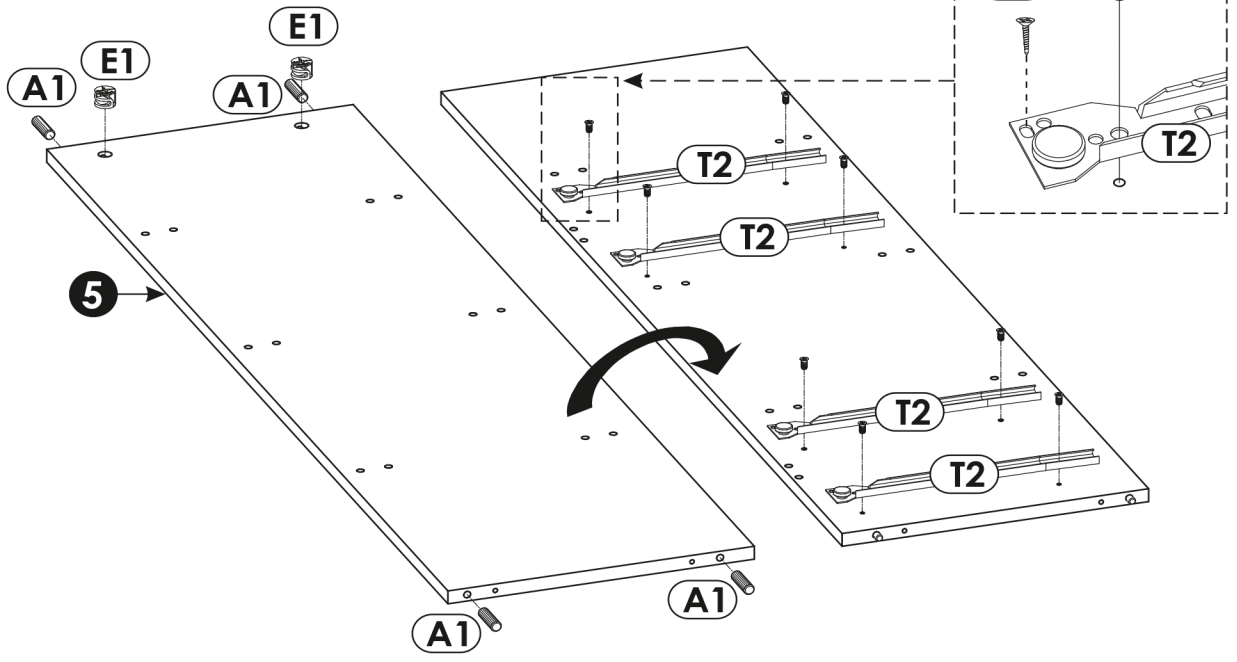
1	1255	399	28	x1	2/2
2	1255	399	28	x1	2/2
3	860	400	28	x1	1/2
4	860	400	28	x1	1/2
5	1255	349	16	x1	2/2
6	324	349	16	x3	1/2
7	463	349	16	x3	1/2
8	463	60	16	x2	1/2
9	337	1249	16	x1	2/2
10	457	157	16	x2	1/2
11	457	157	16	x2	1/2
12	330	80	16	x4	1/2
13	330	80	16	x4	1/2
14	406	80	16	x4	1/2
15	437	335	3	x4	2/2
16	1268	338	3	x1	2/2
17	1268	476	3	x1	2/2

A1	x48 ø5 x 35mm	A3	x 6 ø5 x 60 mm	B0	x2
B3	x2	C1	x8 EURO 4 x 13mm	C2	x16 EURO 5 x 13mm
E0	x38	E1	38 ø15 x 12mm	F1	x26
F4	x 6 ø7 x 82 mm	G0	x14	G1	x8 ø7 x 50mm
G2	x6 ø7 x 60mm	I2	x1 4 x 16mm	J1	x24 US 3 x 20mm
M	x1	N1	x40 US 3 x 16mm	N2	x10 US 3.5 x 16mm
O15	x5	Q9	x1	R1	x 8
R4	x14	RB	x10	Z	x1
T2	x4	L-300			

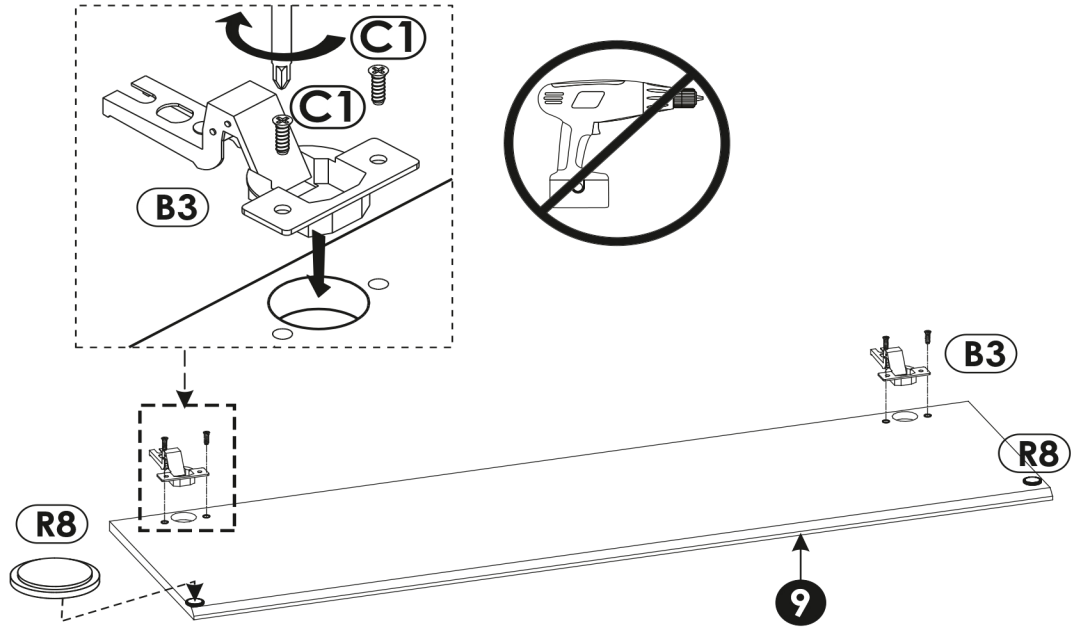




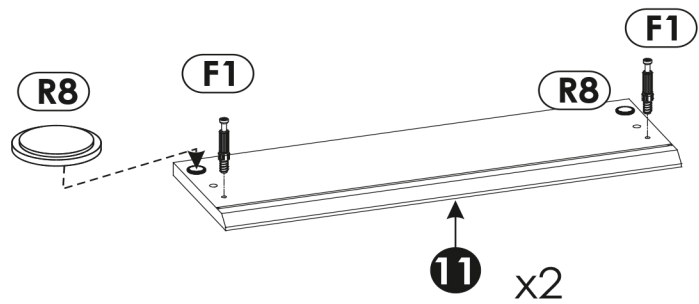
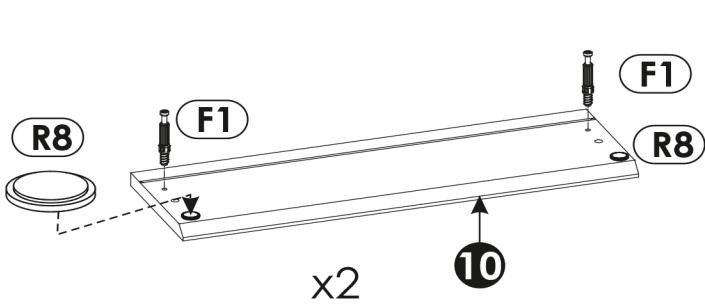
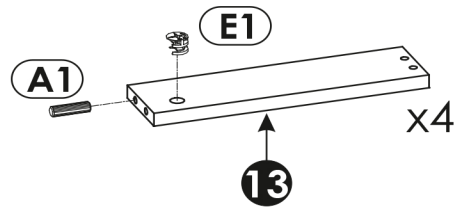
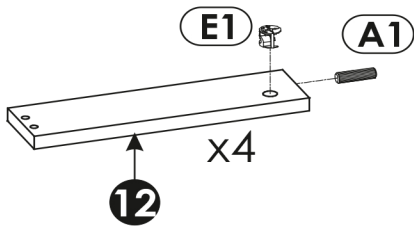
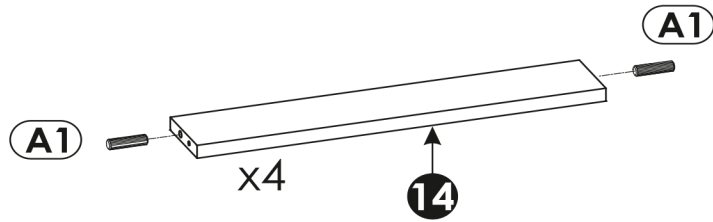
2 ▶



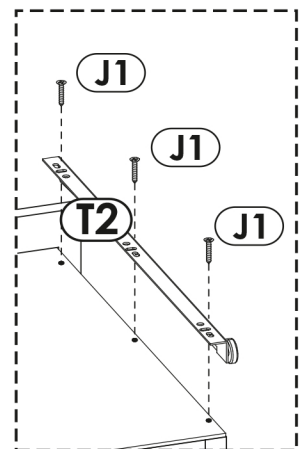
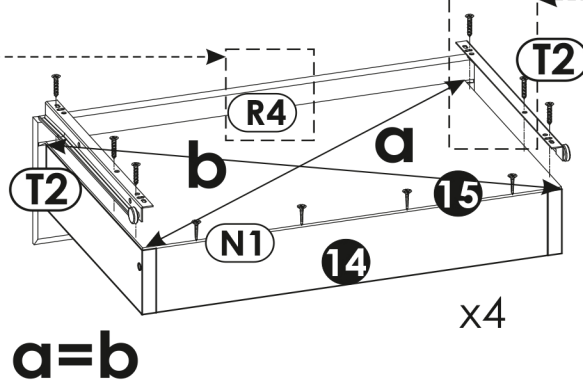
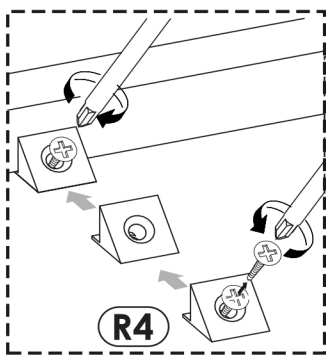
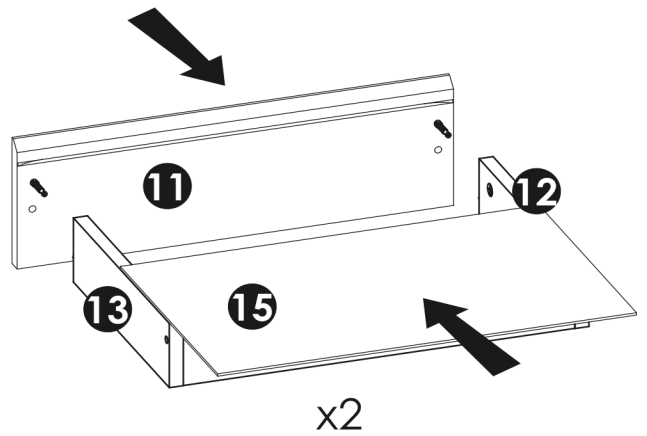
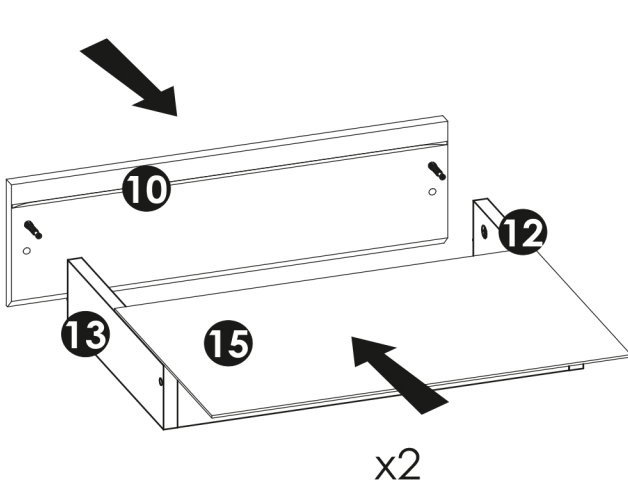
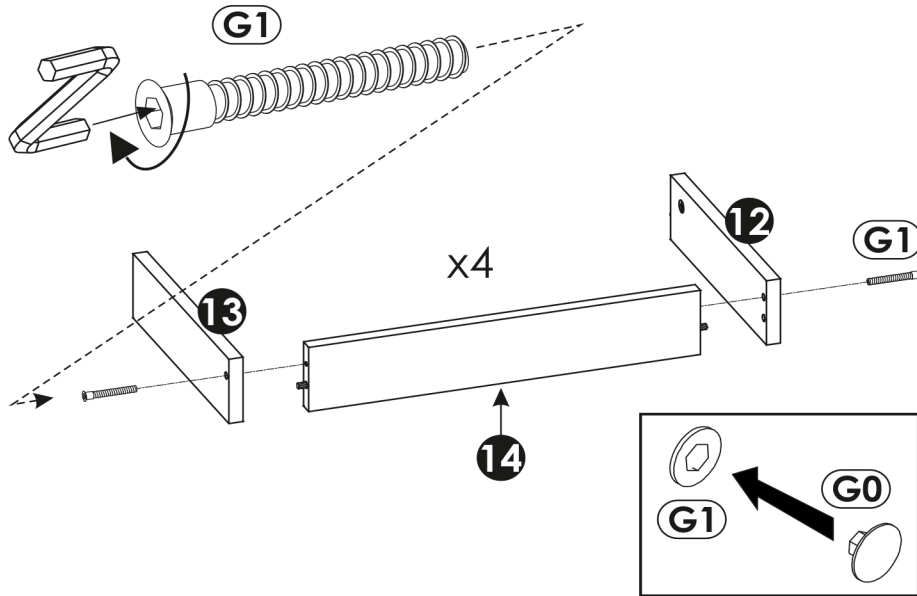
3 ▶



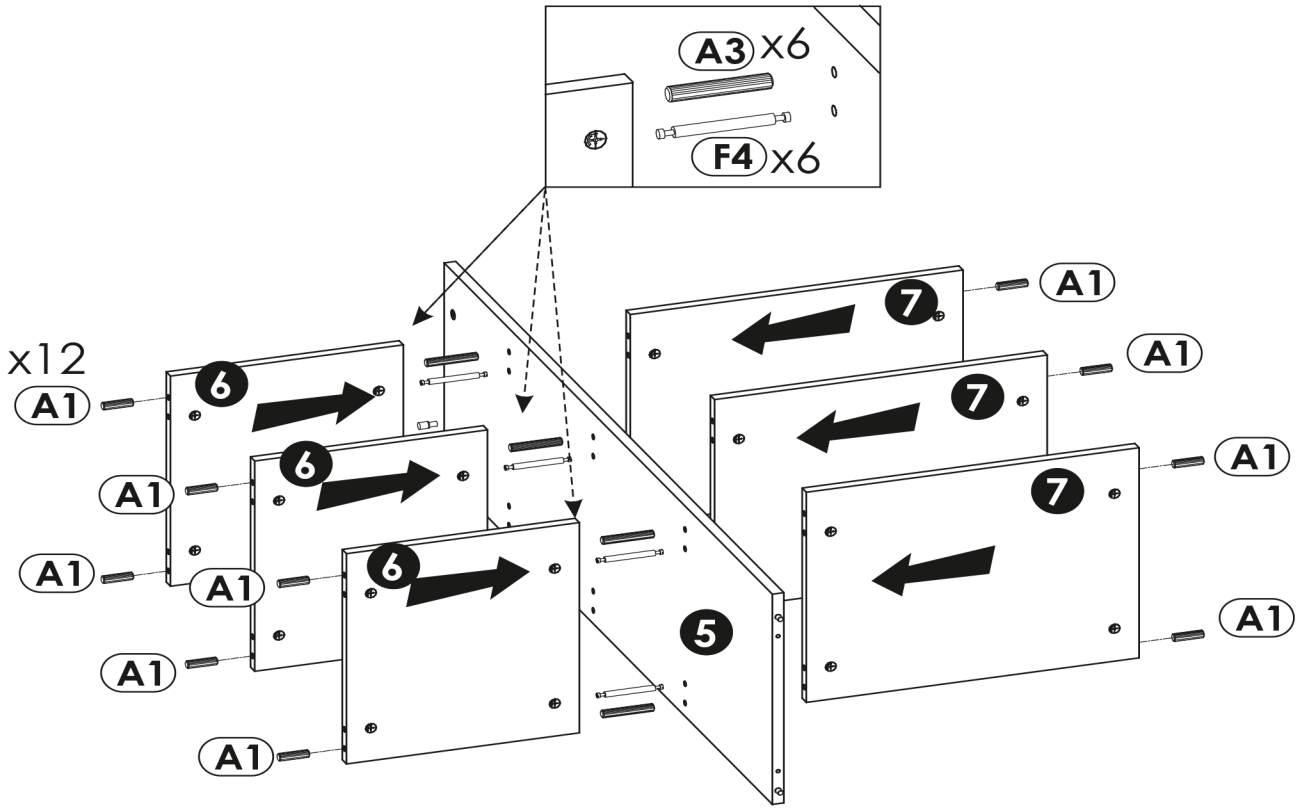
4 ▶



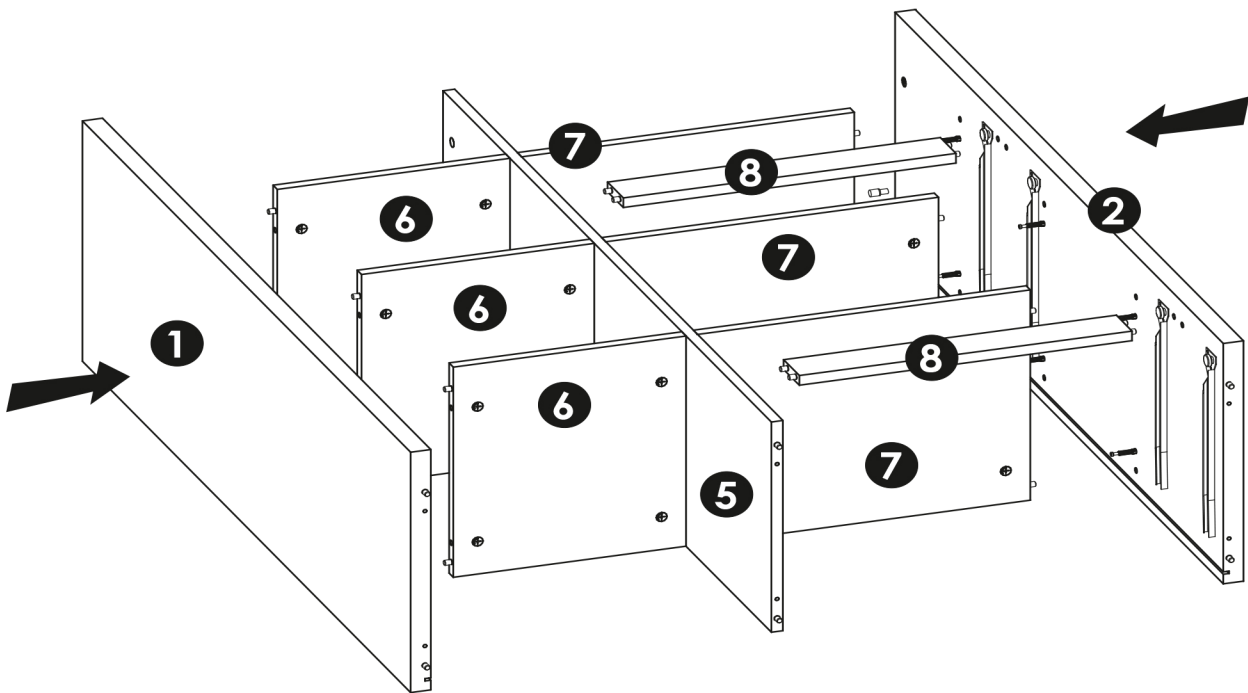
5 ▶



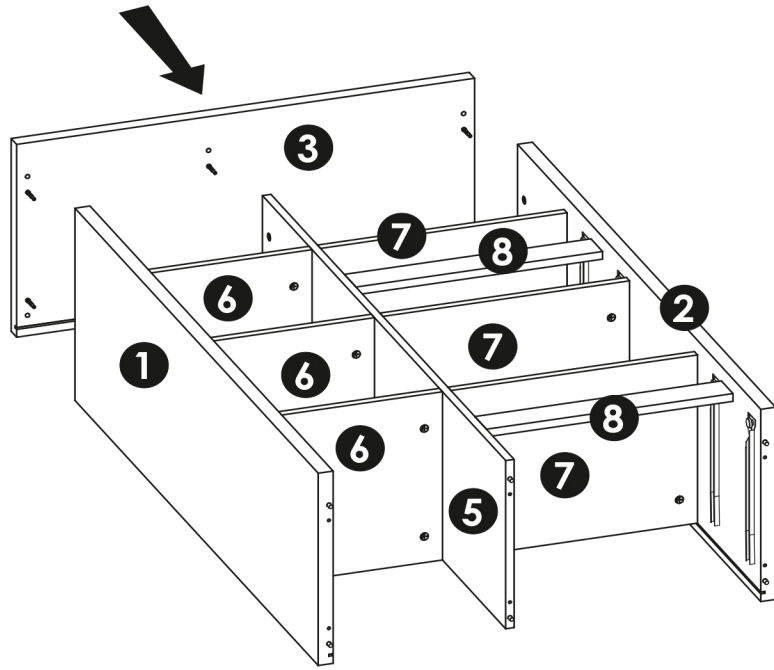
6 ▶



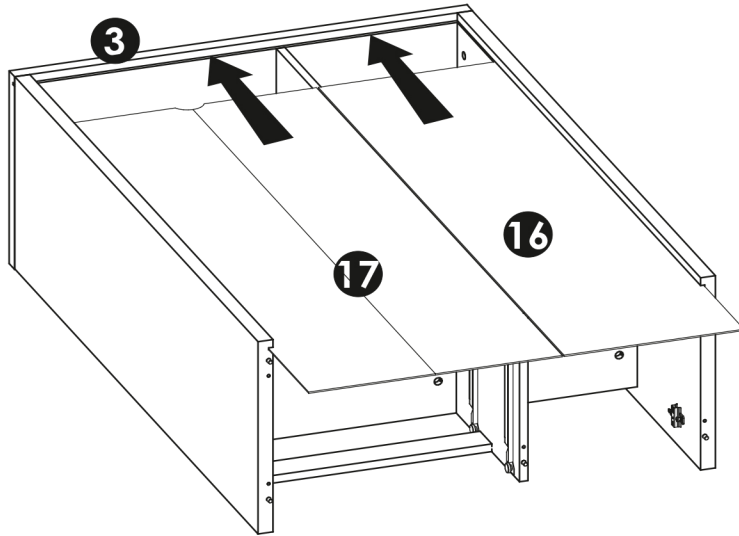
7 ▶



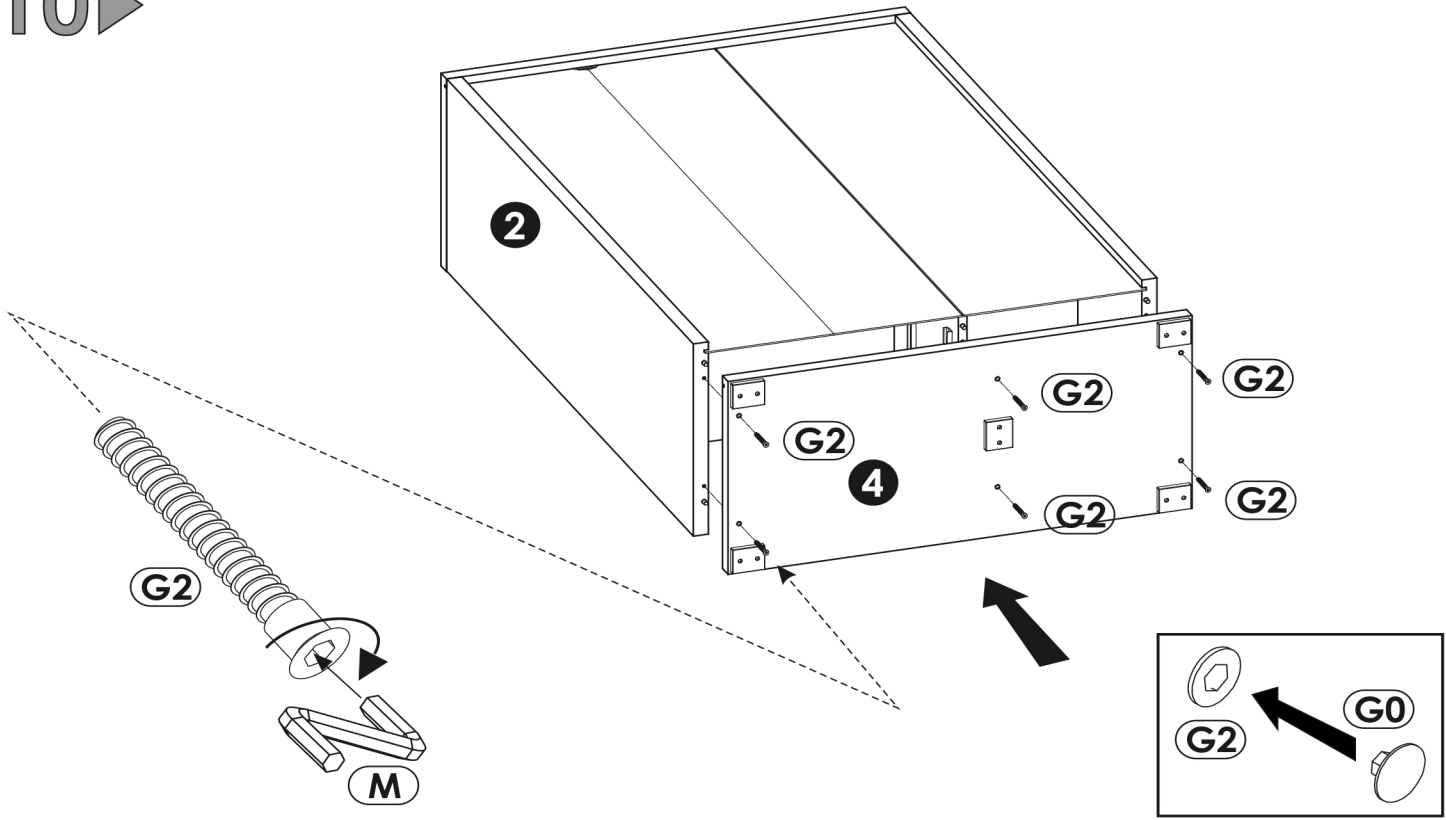
8 ▶



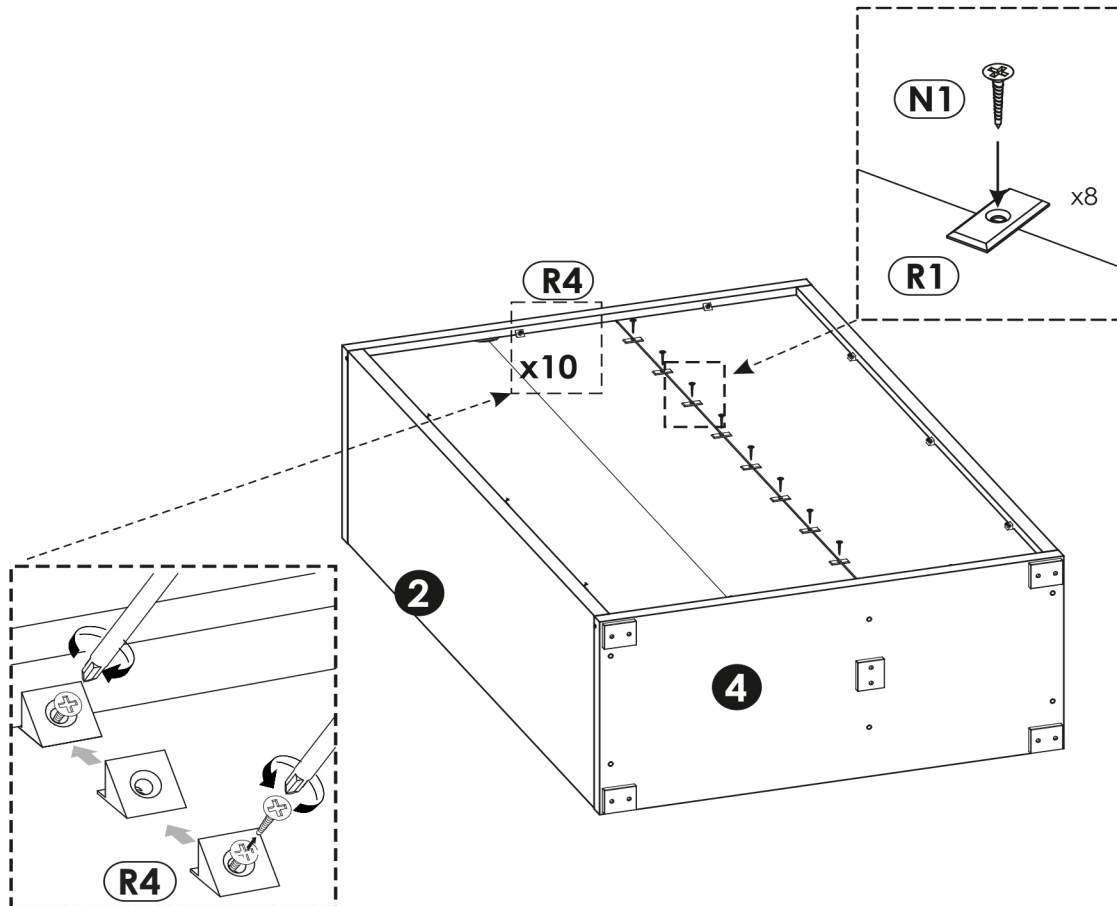
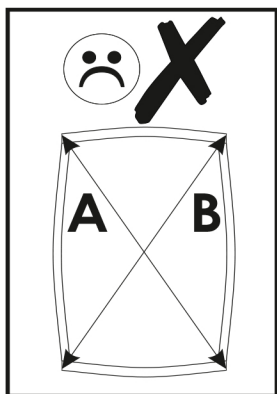
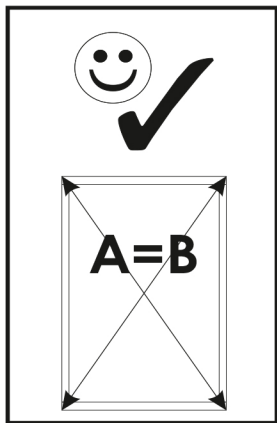
9 ▶



10 ▶



11 ▶



12 ▶

