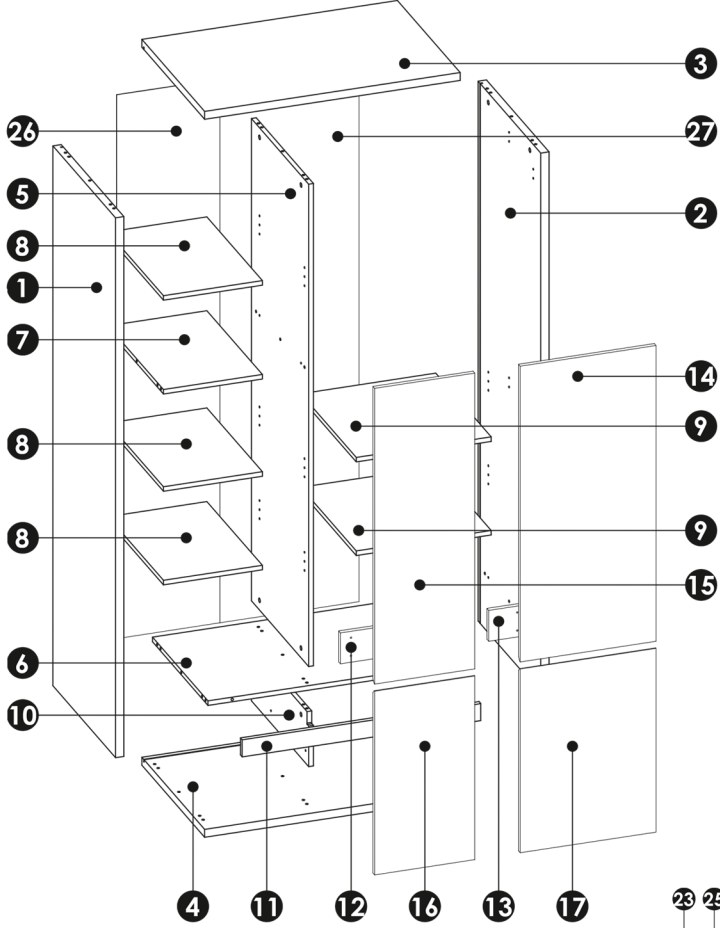
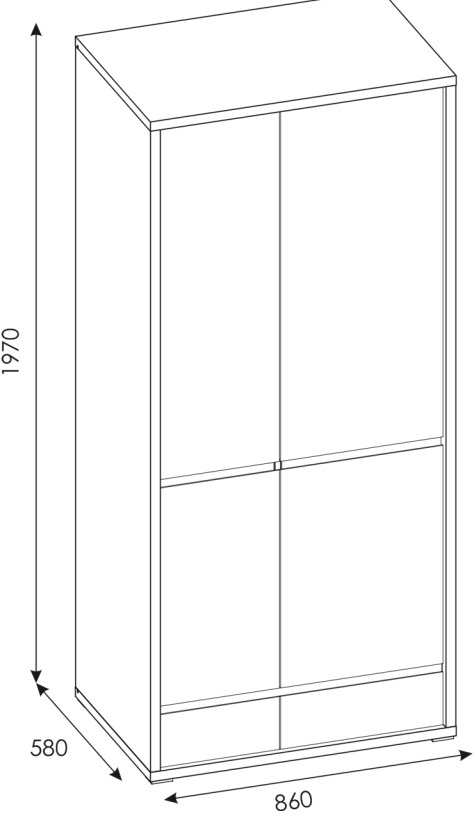
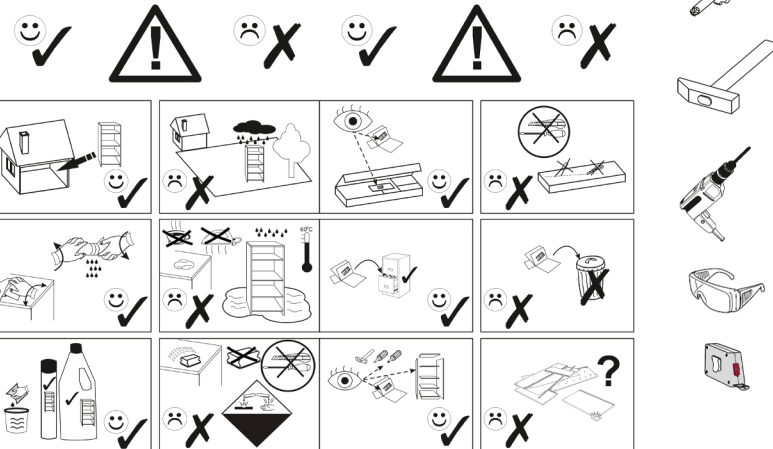
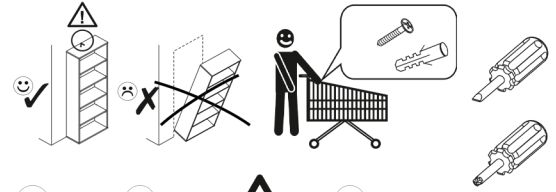


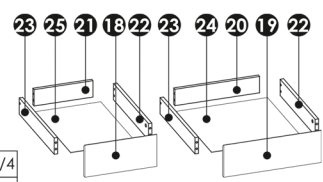
# SHELDON - 20

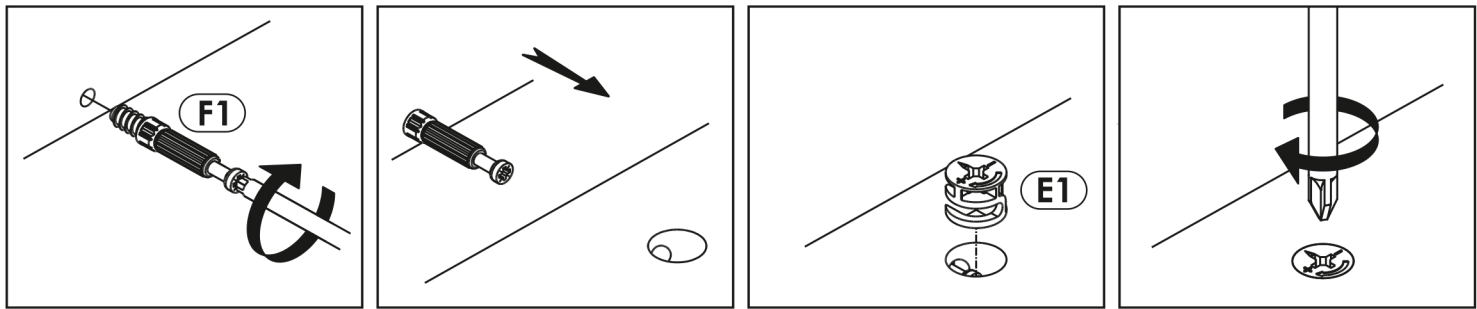


<b>A1</b> x40 ab x 30mm	<b>A3</b> x 3 ab x 40 mm	<b>B0</b> x4
<b>B3</b> x5	<b>C1</b> x12 EURO 4 x 13mm	<b>C2</b> x8 EURO 5 x 13mm
<b>D2</b> x20	<b>E0</b> 22	<b>E1</b> 22 ø15 x 12mm
<b>F1</b> x16	<b>F4</b> x 2 ø7 x 82 mm	<b>G0</b> x10
<b>G1</b> x4 ø7 x 50mm	<b>G2</b> x8 ø7 x 60mm	<b>I3</b> x12 US 3 x 25mm
<b>I2</b> x2 4 x 16mm	<b>J1</b> x12 US 3 x 20mm	<b>M</b> x1
<b>N1</b> x20 US 3 x 16mm	<b>N2</b> x18 US 3.5 x 16mm	<b>O15</b> x5
<b>P4</b> x4	<b>Q9</b> x2	<b>R1</b> x12
<b>R4</b> x14	<b>RB</b> x8	<b>T5</b> x2
<b>W</b> x2	<b>Z1</b> x 2 L=45	<b>L-450</b>
<b>Z</b> x1		

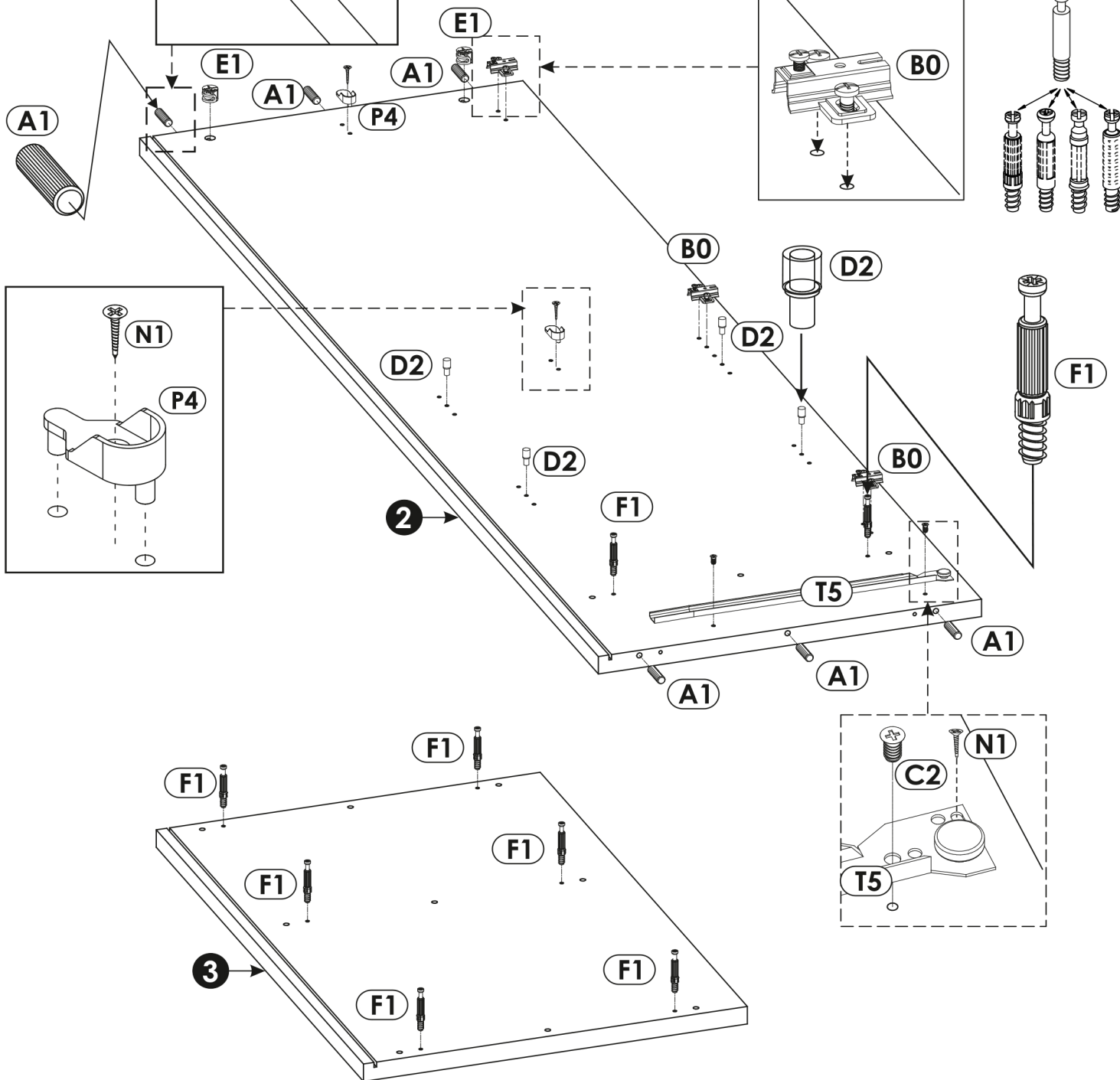
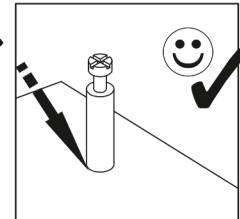
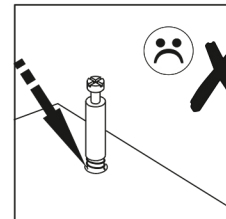
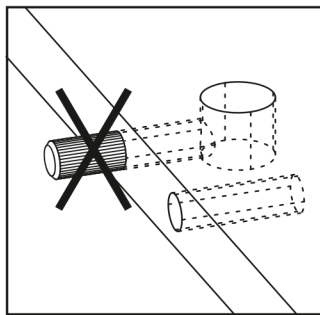
<b>1</b>	1904	579	28	x1	4/4
<b>2</b>	1904	579	28	x1	3/4
<b>3</b>	860	580	28	x1	2/4
<b>4</b>	860	580	28	x1	2/4
<b>5</b>	1701	529	16	x1	3/4
<b>6</b>	803	513	16	x1	2/4
<b>7</b>	333	513	16	x1	1/4
<b>8</b>	333	513	16	x3	1/4
<b>9</b>	454	513	16	x2	2/4
<b>10</b>	187	529	16	x1	3/4
<b>11</b>	803	60	16	x1	1/4
<b>12</b>	327	109	16	x1	1/4
<b>13</b>	448	109	16	x1	1/4
<b>14</b>	457	1043	16	x1	1/4
<b>15</b>	337	1043	16	x1	1/4
<b>16</b>	337	648	16	x1	1/4
<b>17</b>	457	648	16	x1	1/4
<b>18</b>	337	157	16	x1	1/4
<b>19</b>	457	157	16	x1	1/4
<b>20</b>	397	80	16	x1	1/4
<b>21</b>	276	80	16	x1	1/4
<b>22</b>	450	80	16	x2	1/4
<b>23</b>	450	80	16	x2	1/4
<b>24</b>	428	455	3	x1	1/4
<b>25</b>	307	455	3	x1	1/4

<b>26</b>	1917	347	3	x1	4/4
<b>27</b>	1917	468	3	x1	4/4

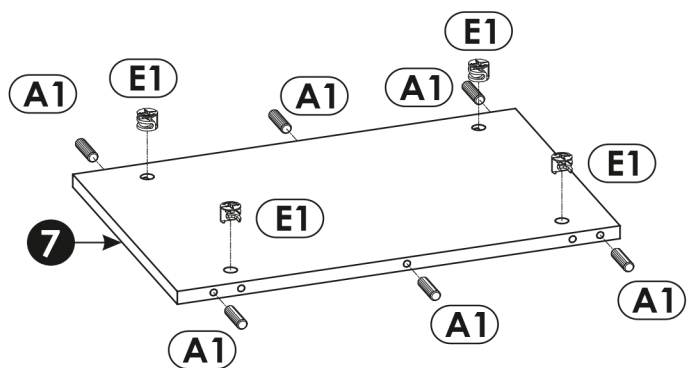
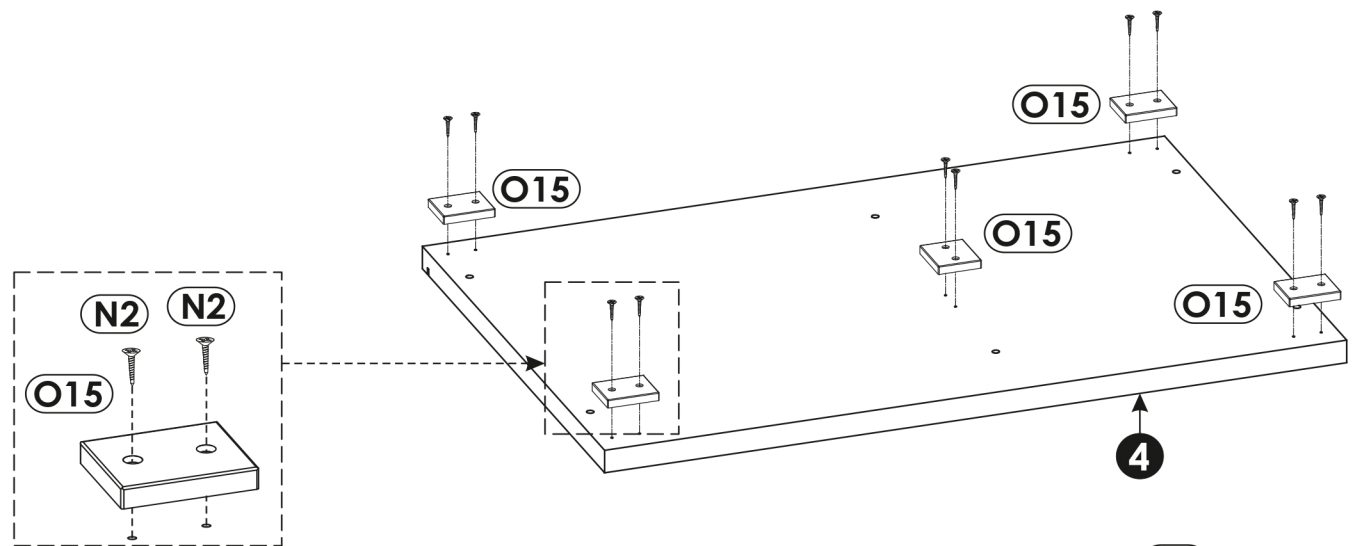
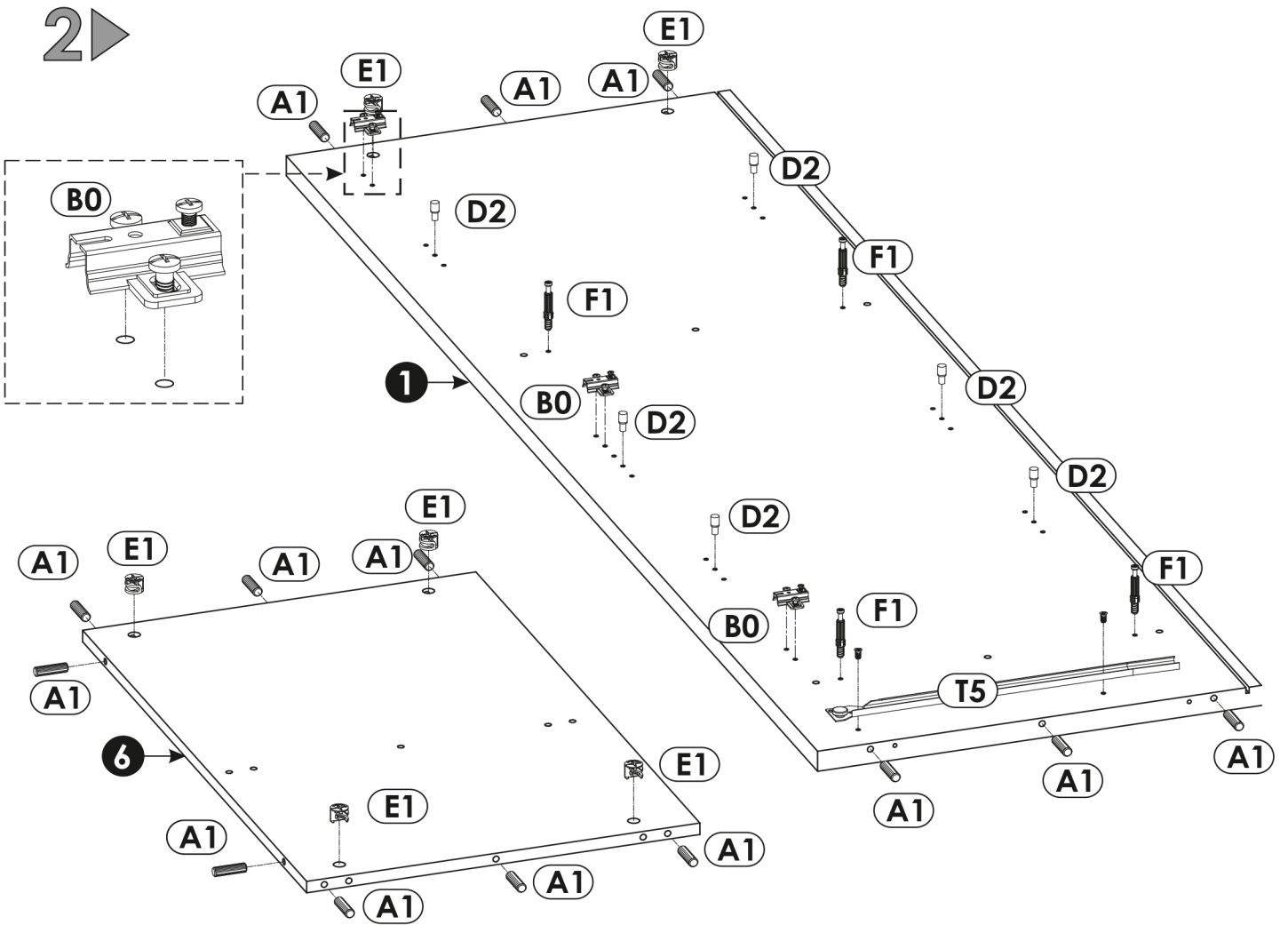




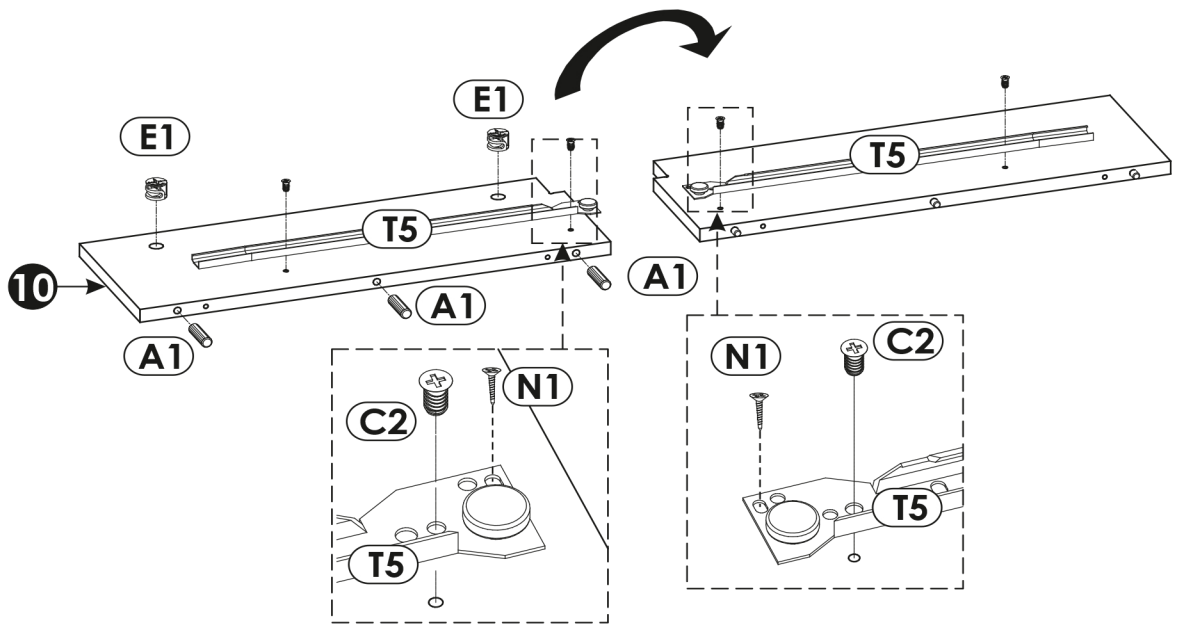
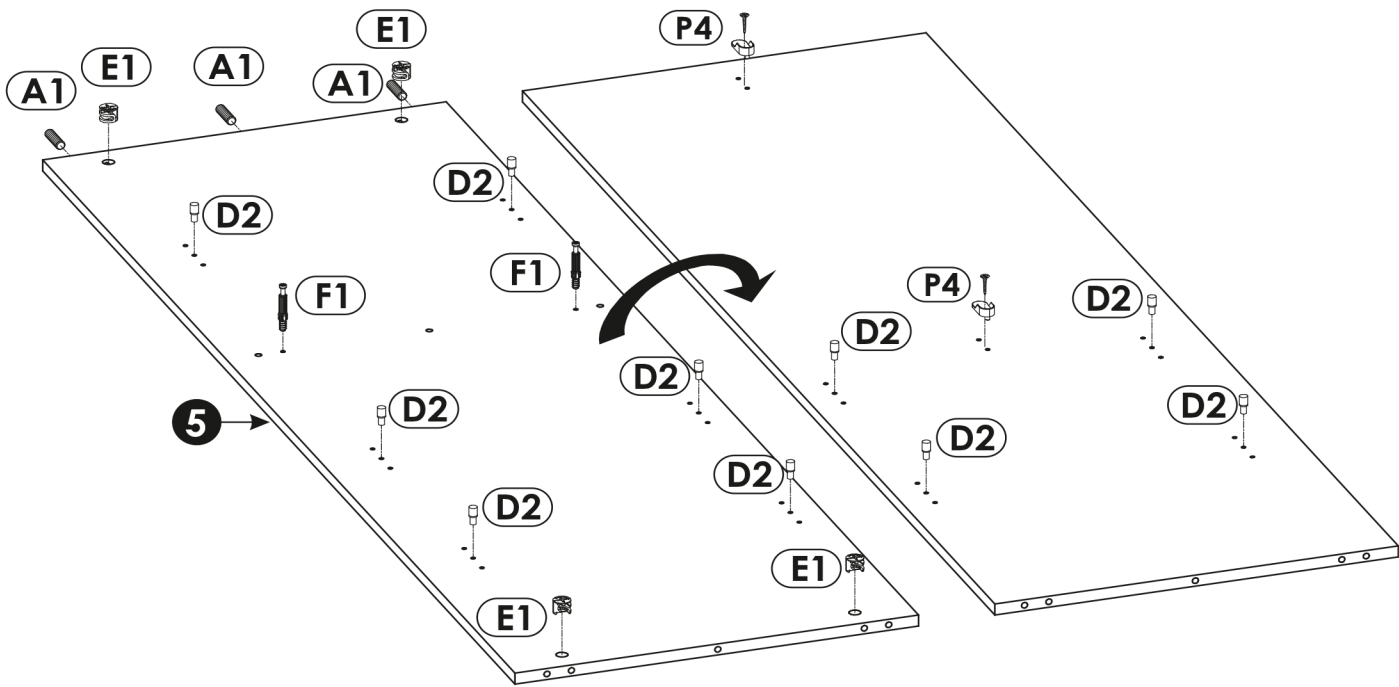
1 ▶



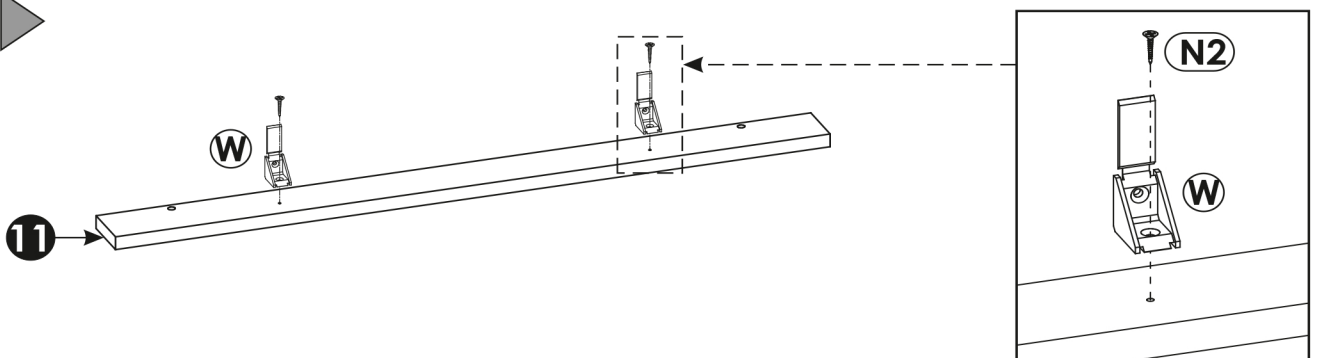
2



3 ▶



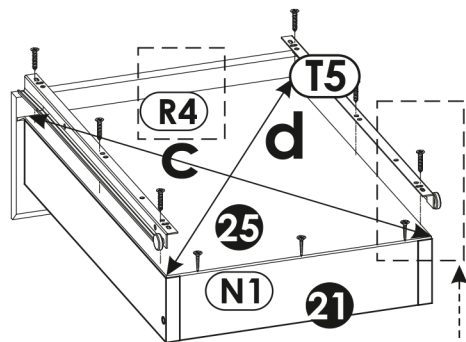
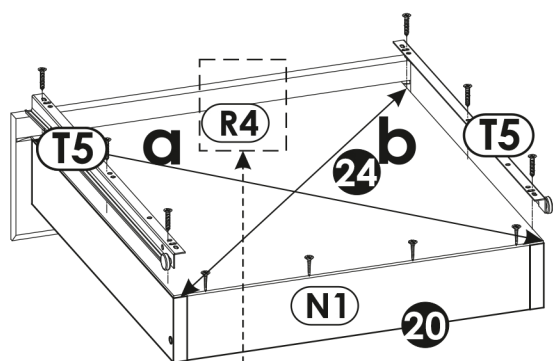
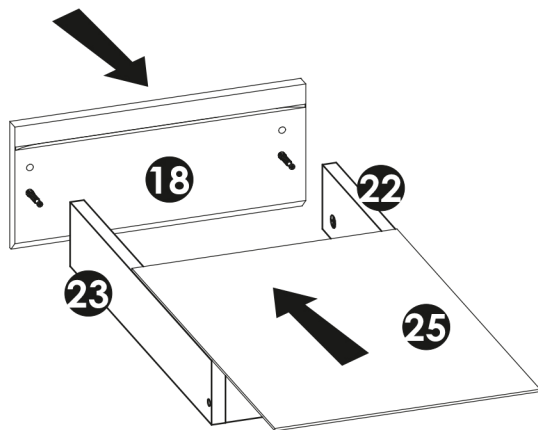
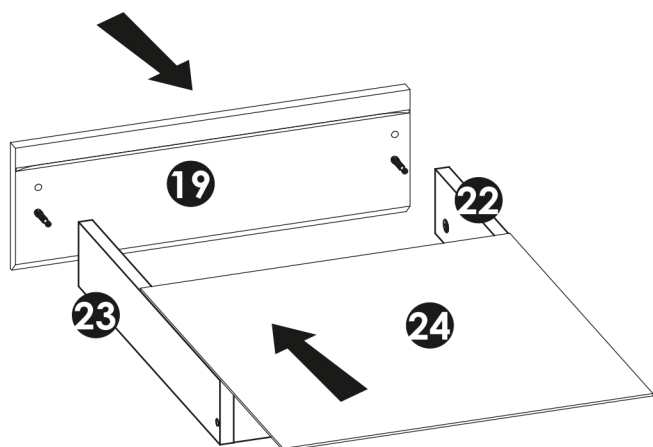
4 ▶





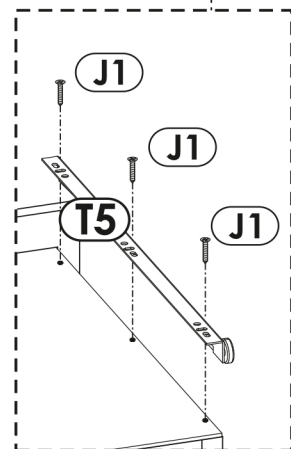
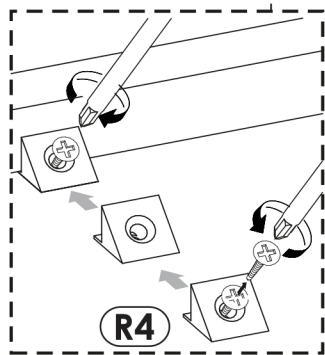


7 ▶

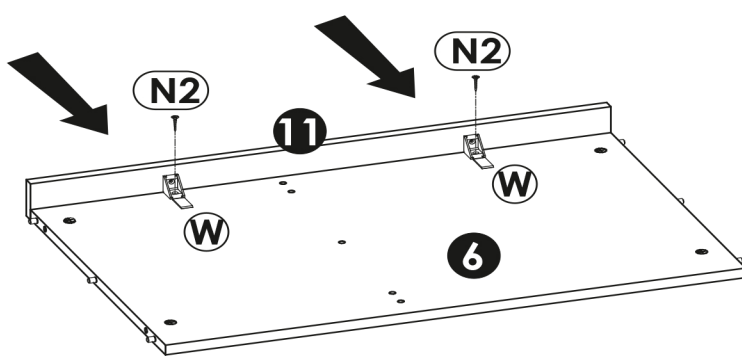


$a=b$

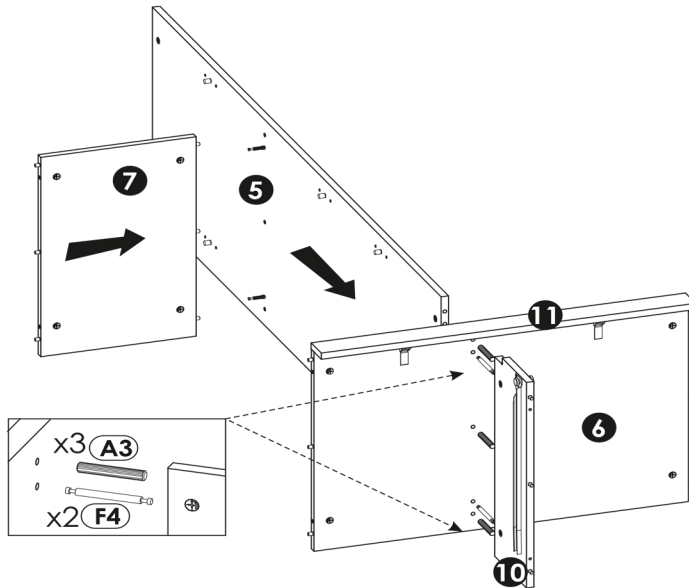
$c=d$



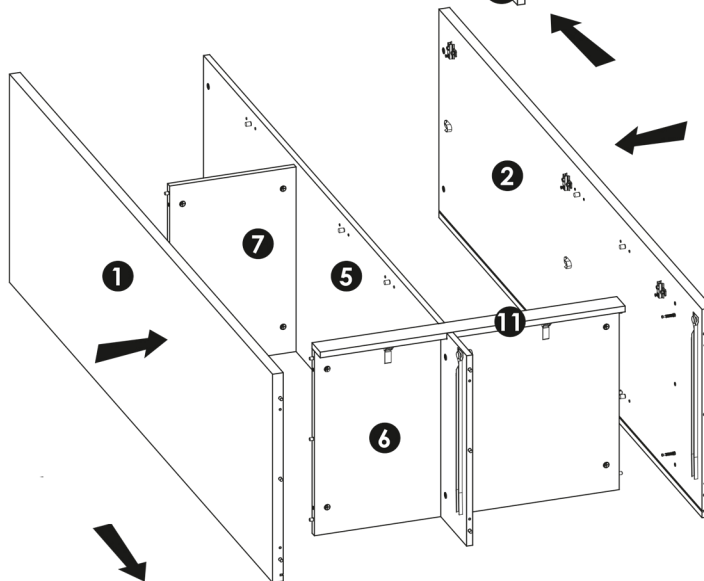
8 ▶



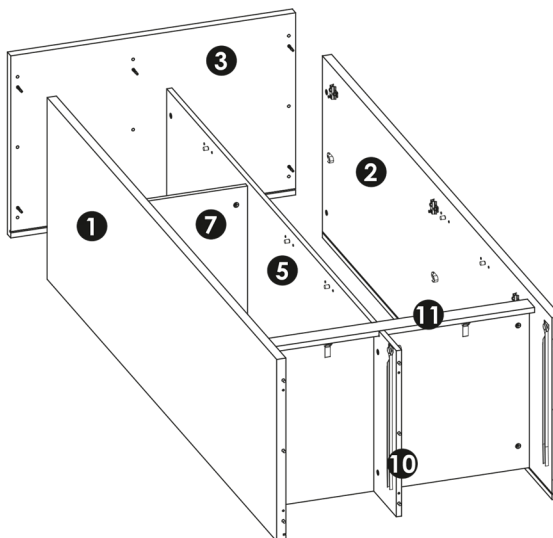
9 ▶



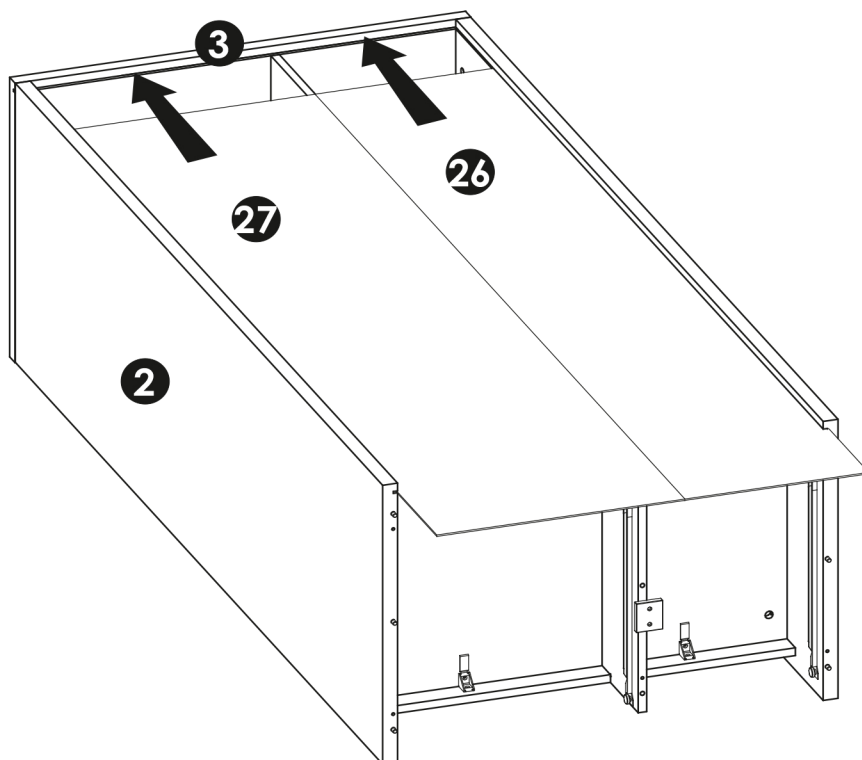
10 ▶



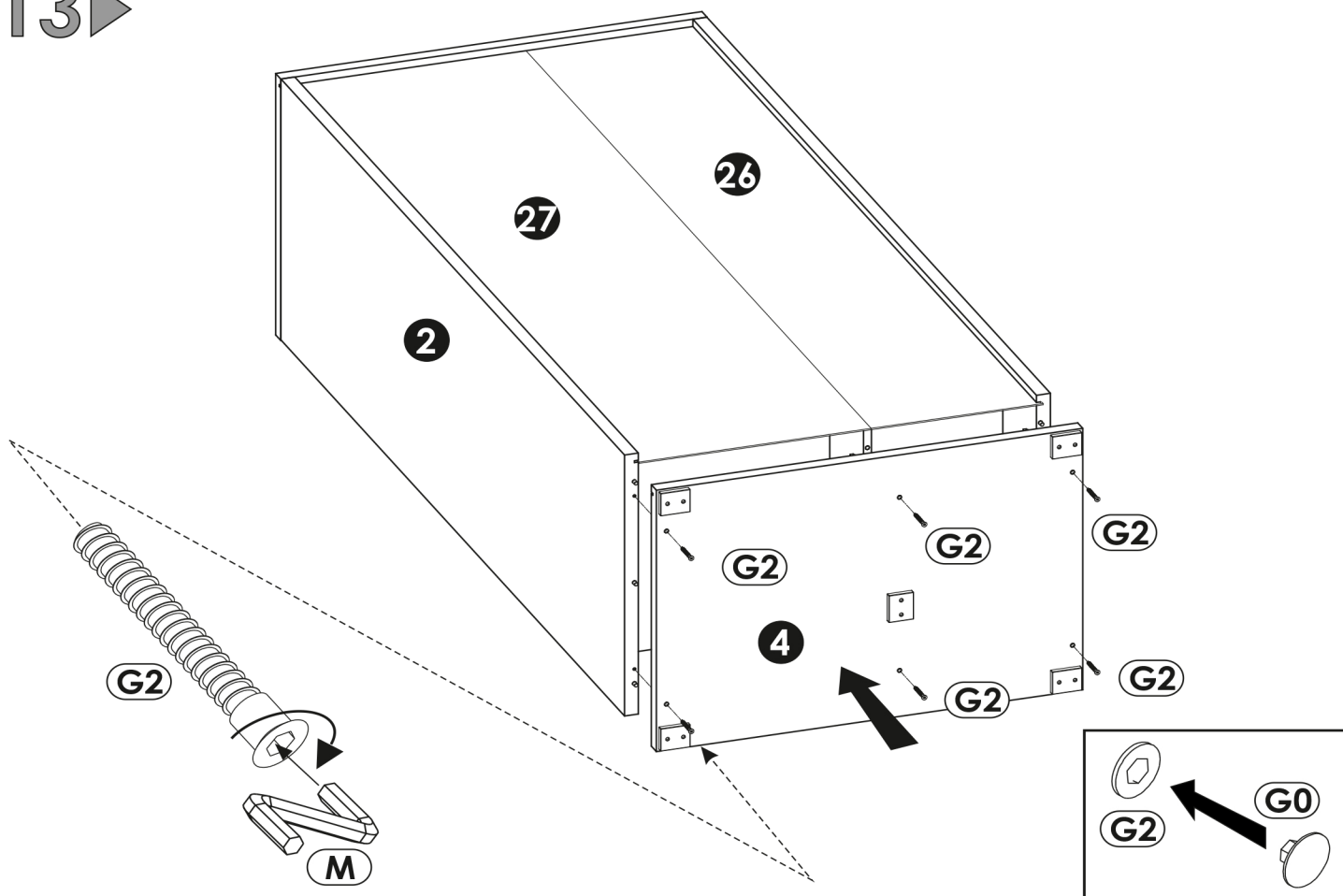
11 ▶



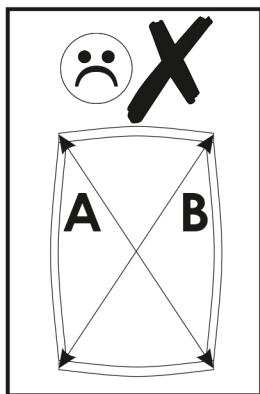
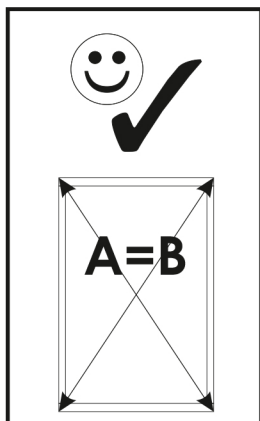
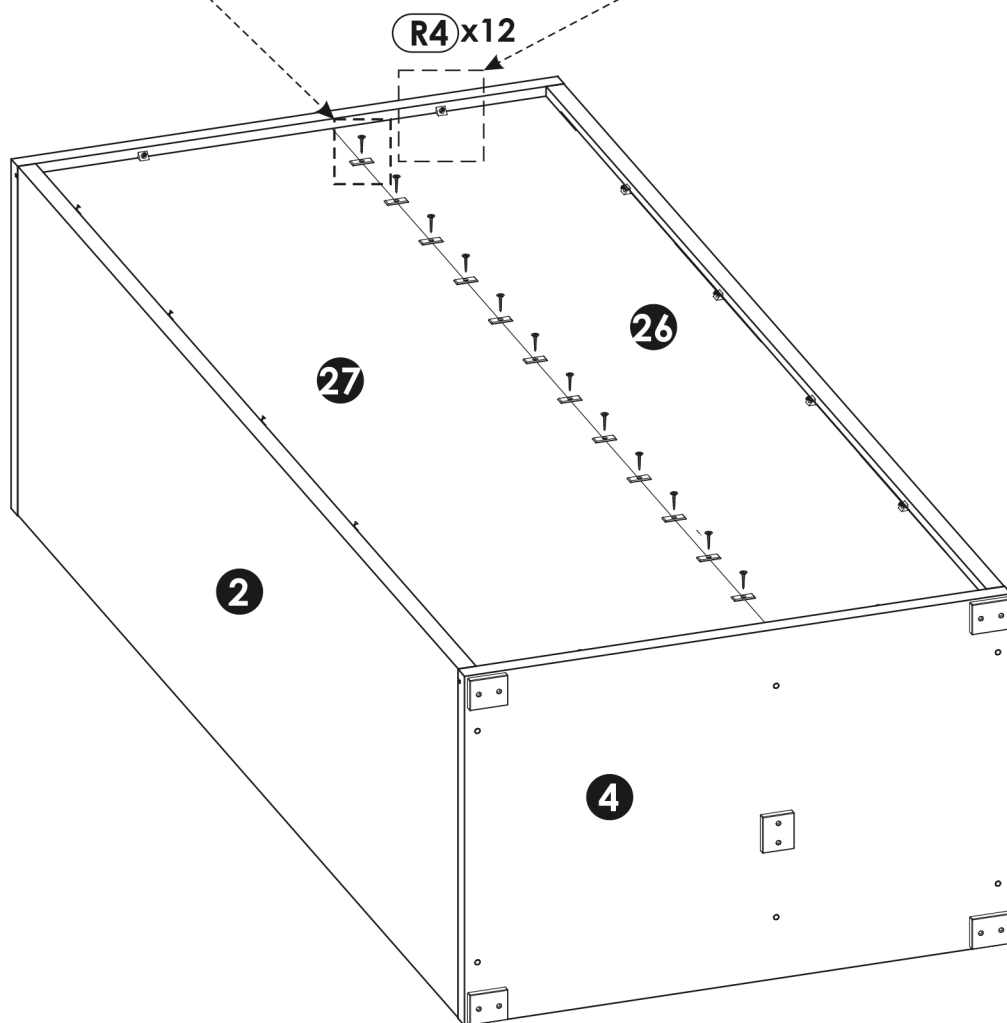
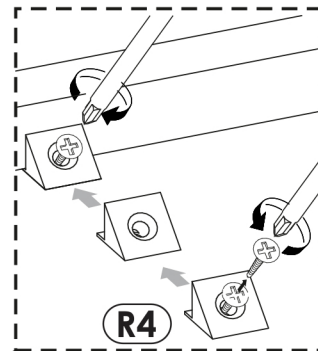
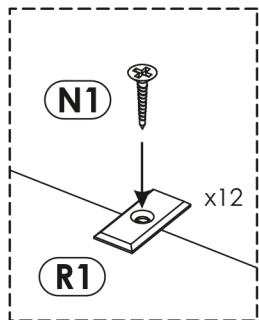
12▶



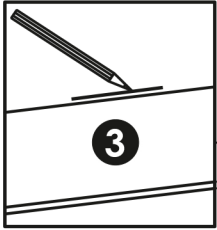
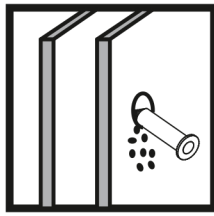
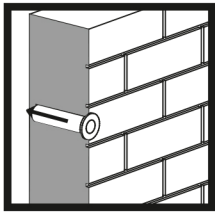
13▶



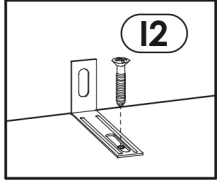
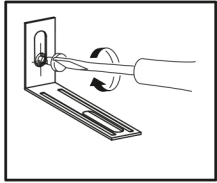
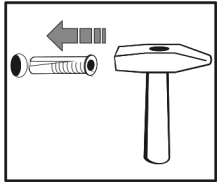
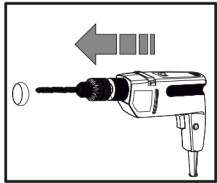
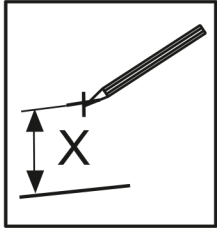
14▶



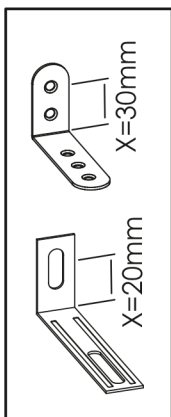
15 ▶



3

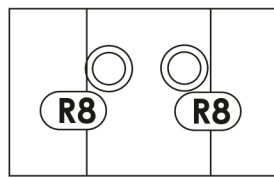
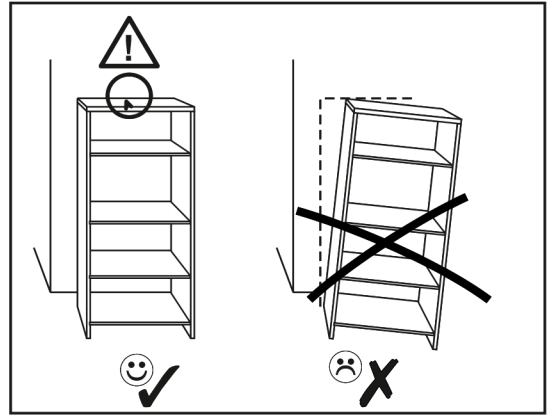


12



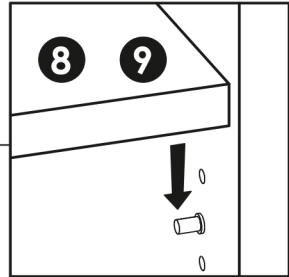
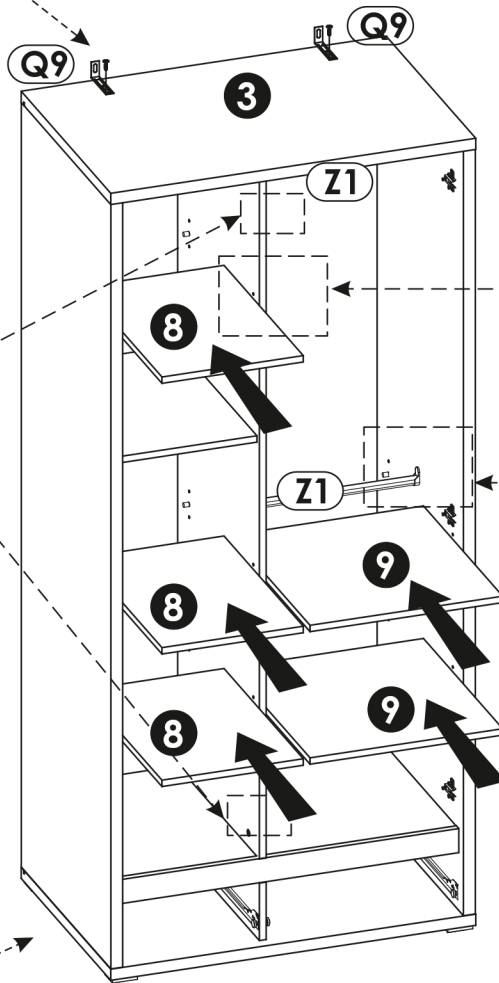
X=30mm

X=20mm



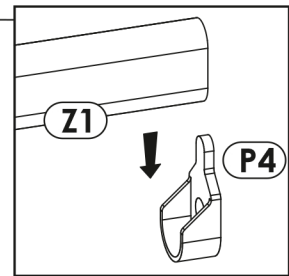
R8

R8



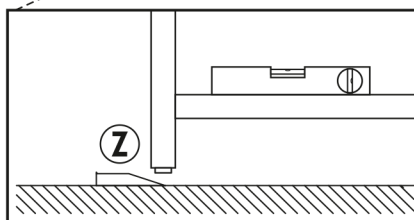
8

9

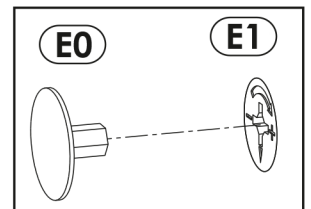


Z1

P4

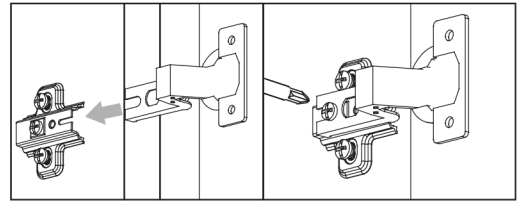


Z

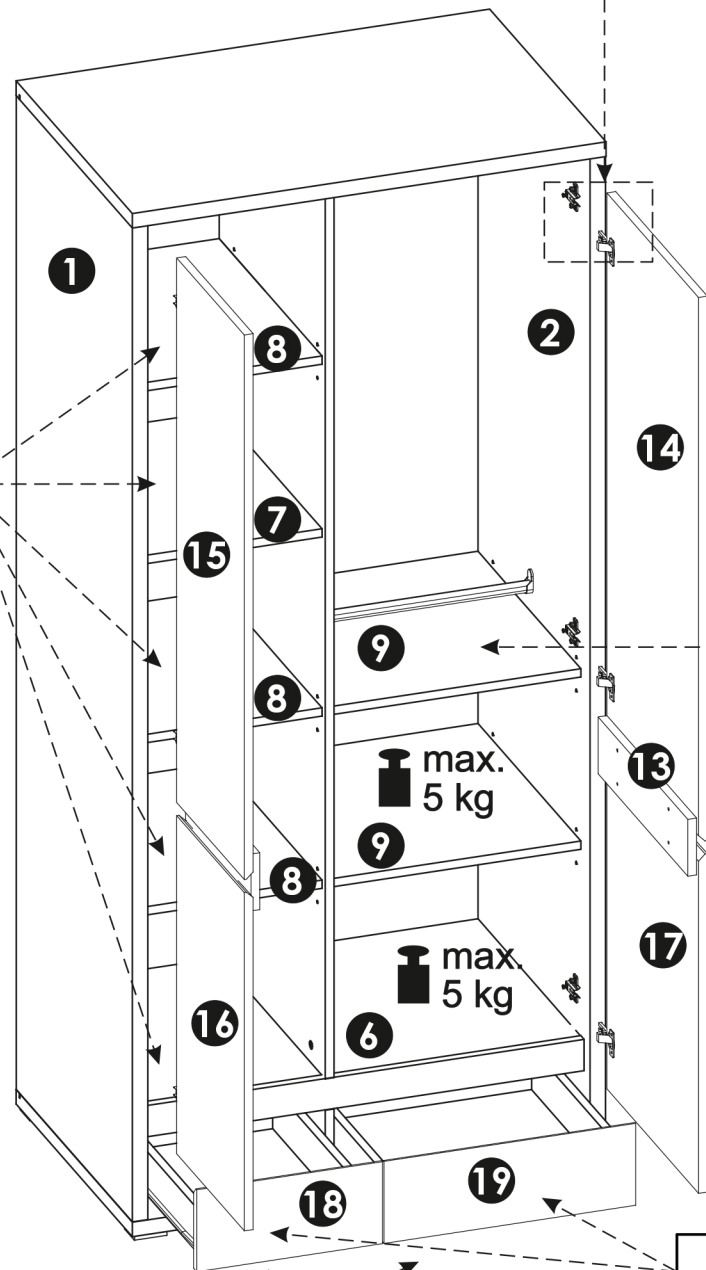


E0

E1



max.  
5 kg



max.  
5 kg

max.  
5 kg

