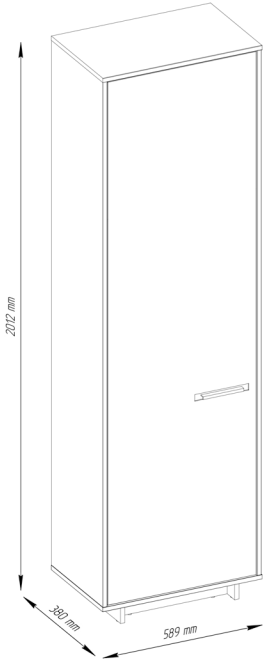


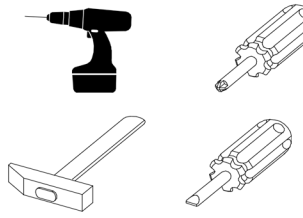
DELIS

Typ V1

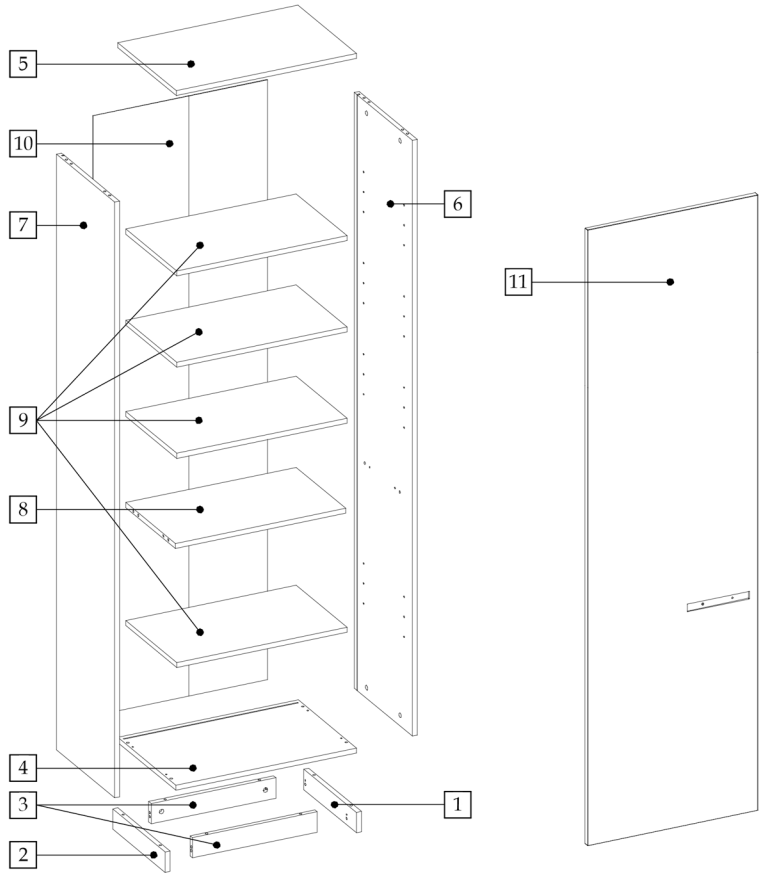
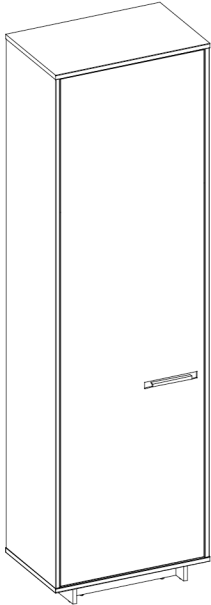


60 min

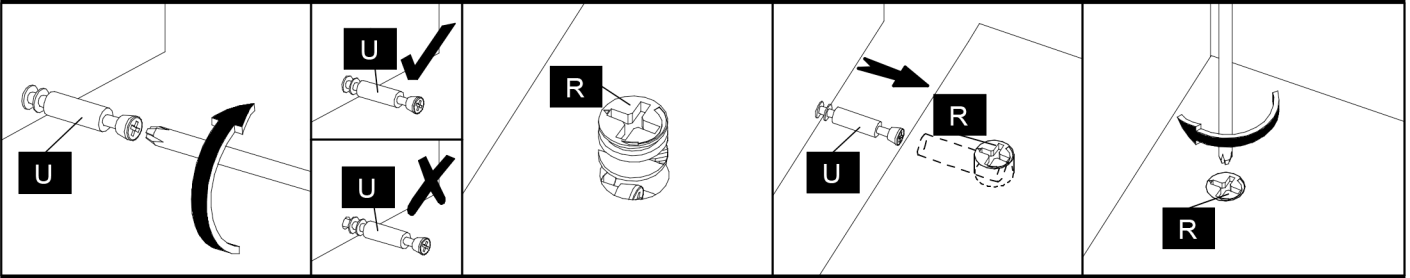




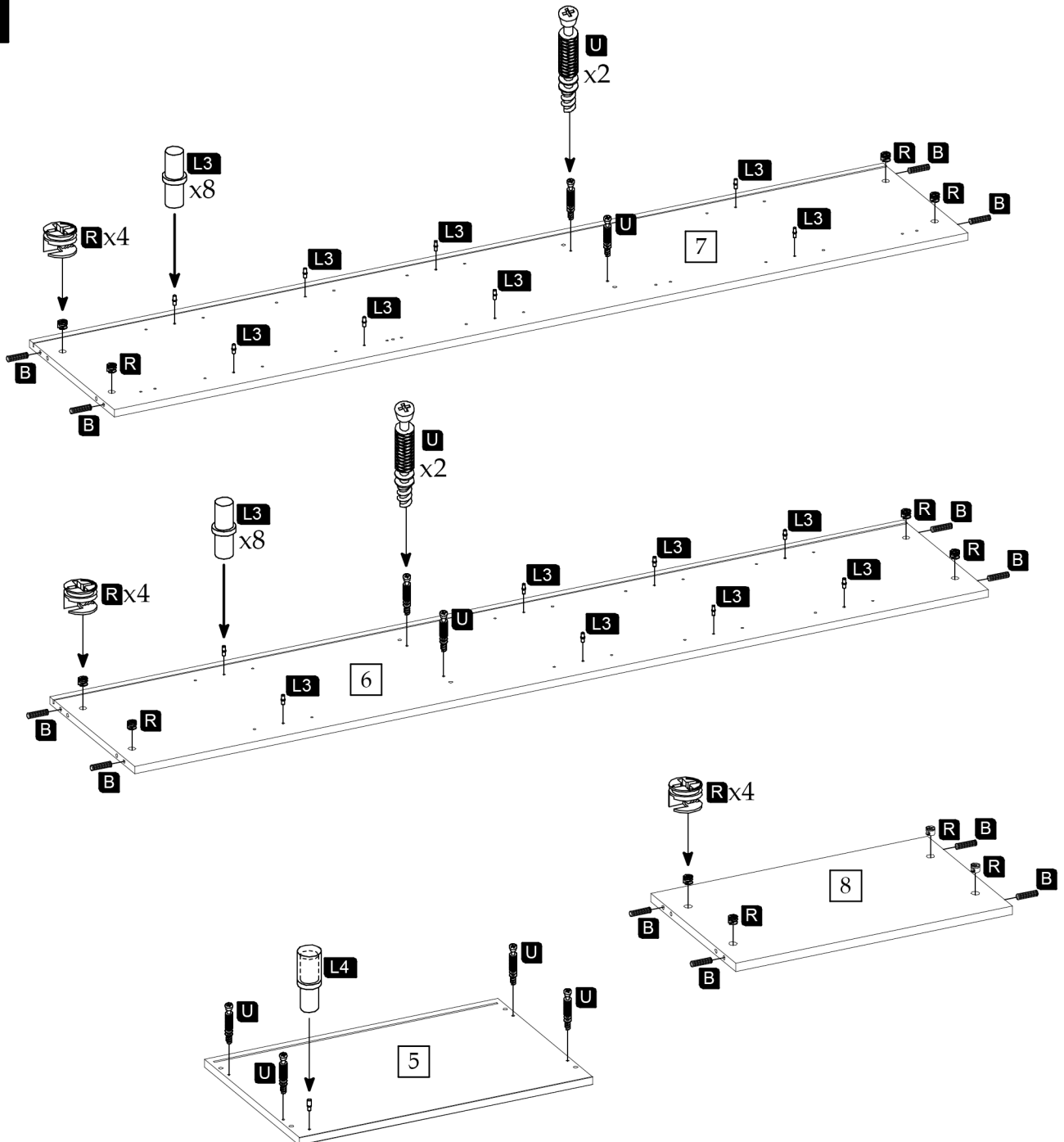
B x24	C1 x4	E x32	E8 x2	G3 x8
L3 x16	L4 x2	M1 x1	P1 x14	Z2 x4
R x16	T x8	U x16	V3 x1	Y x1
Z2 x16				

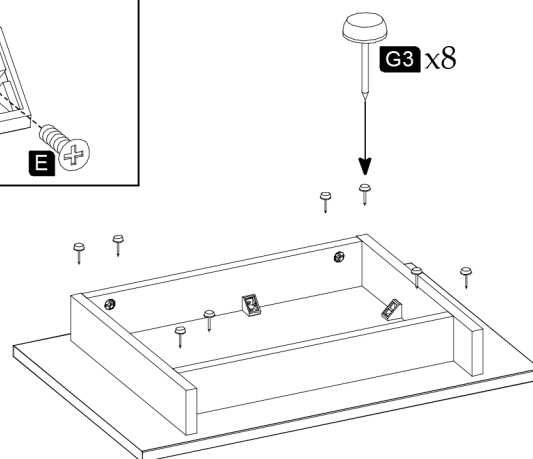
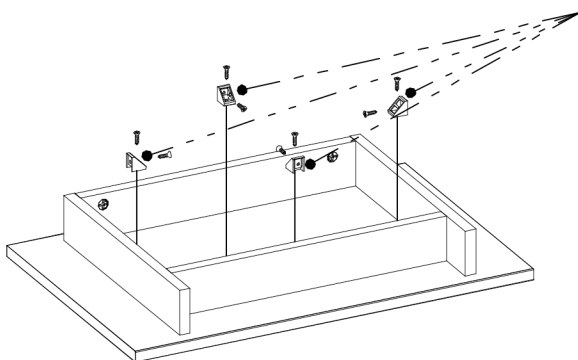
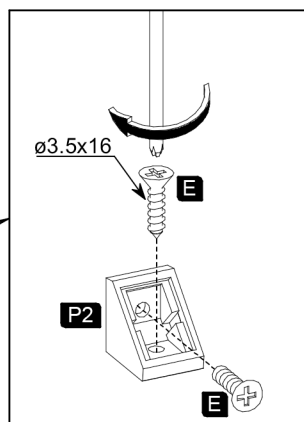
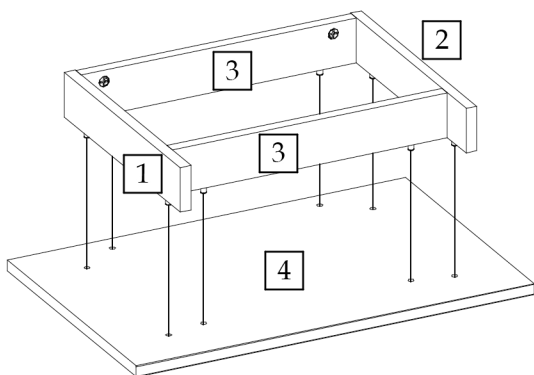
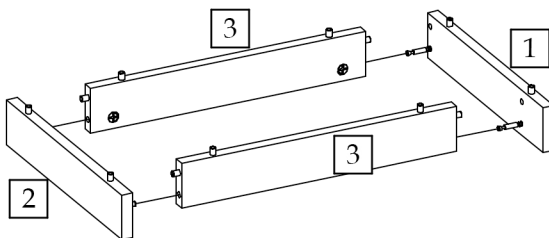
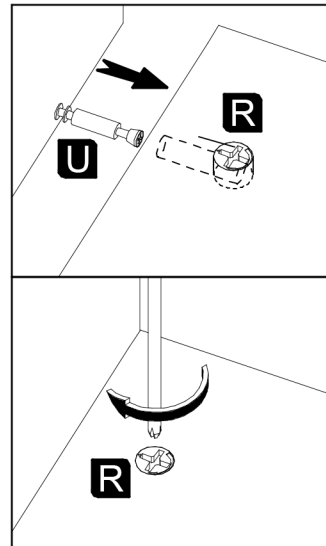
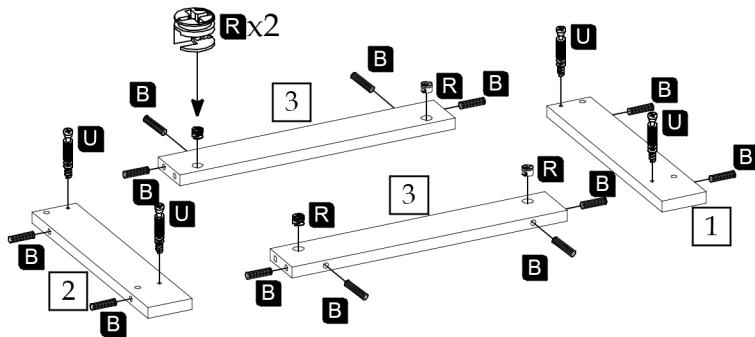


1	341	65	16	1	1001	1/2
2	341	65	16	1	1003	1/2
3	407	65	16	2	1004	1/2
4	589	380	16	1	1005	1/2
5	589	380	16	1	1006	1/2
6	1905	378	16	1	1007	1/2
7	1905	378	16	1	1008	1/2
8	555	323.5	16	1	1009	1/2
9	555	331	16	4	N/A	1/2
10	1919	568	3	1	N/A	1/2
11	1900	550	16	1	3003	2/2

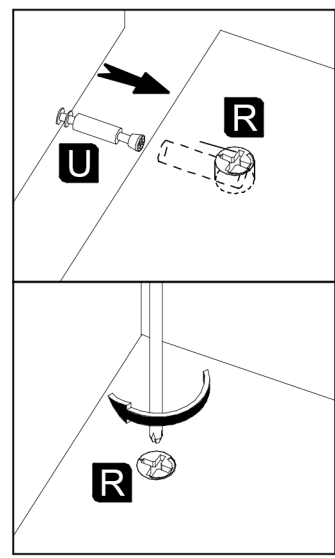
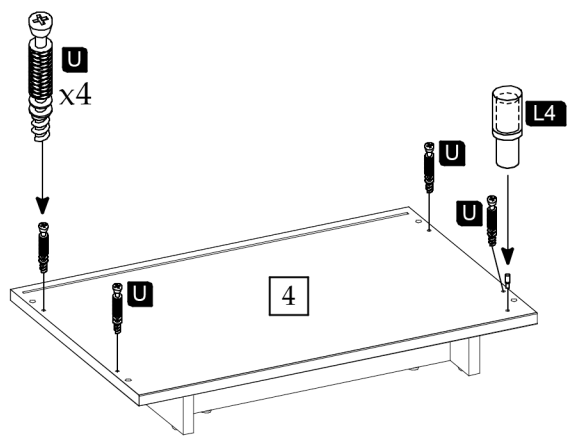


1

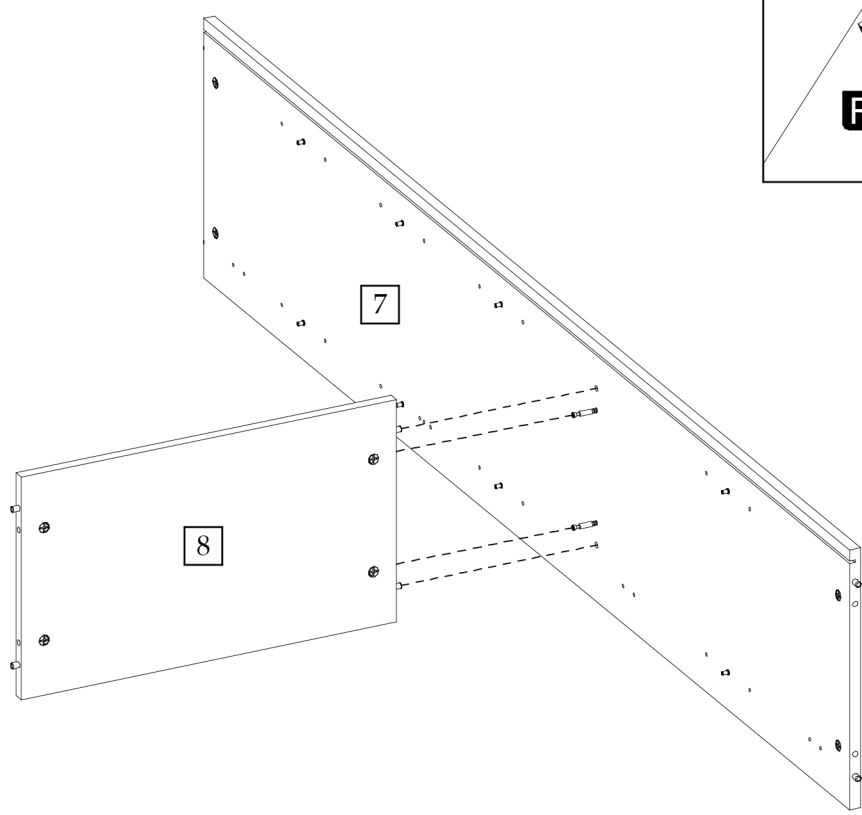




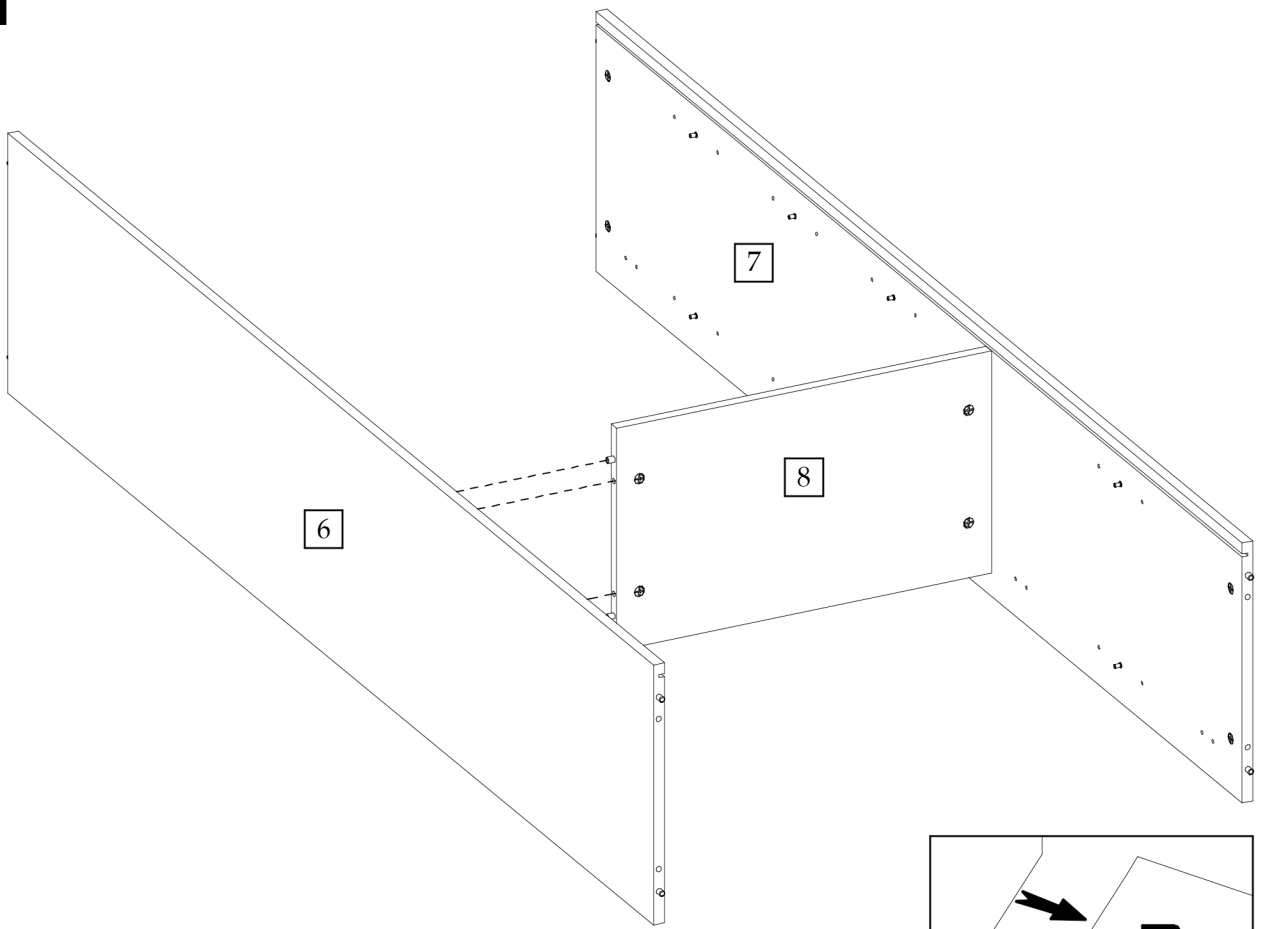
3



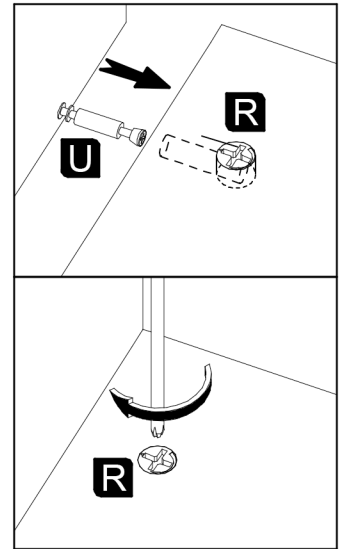
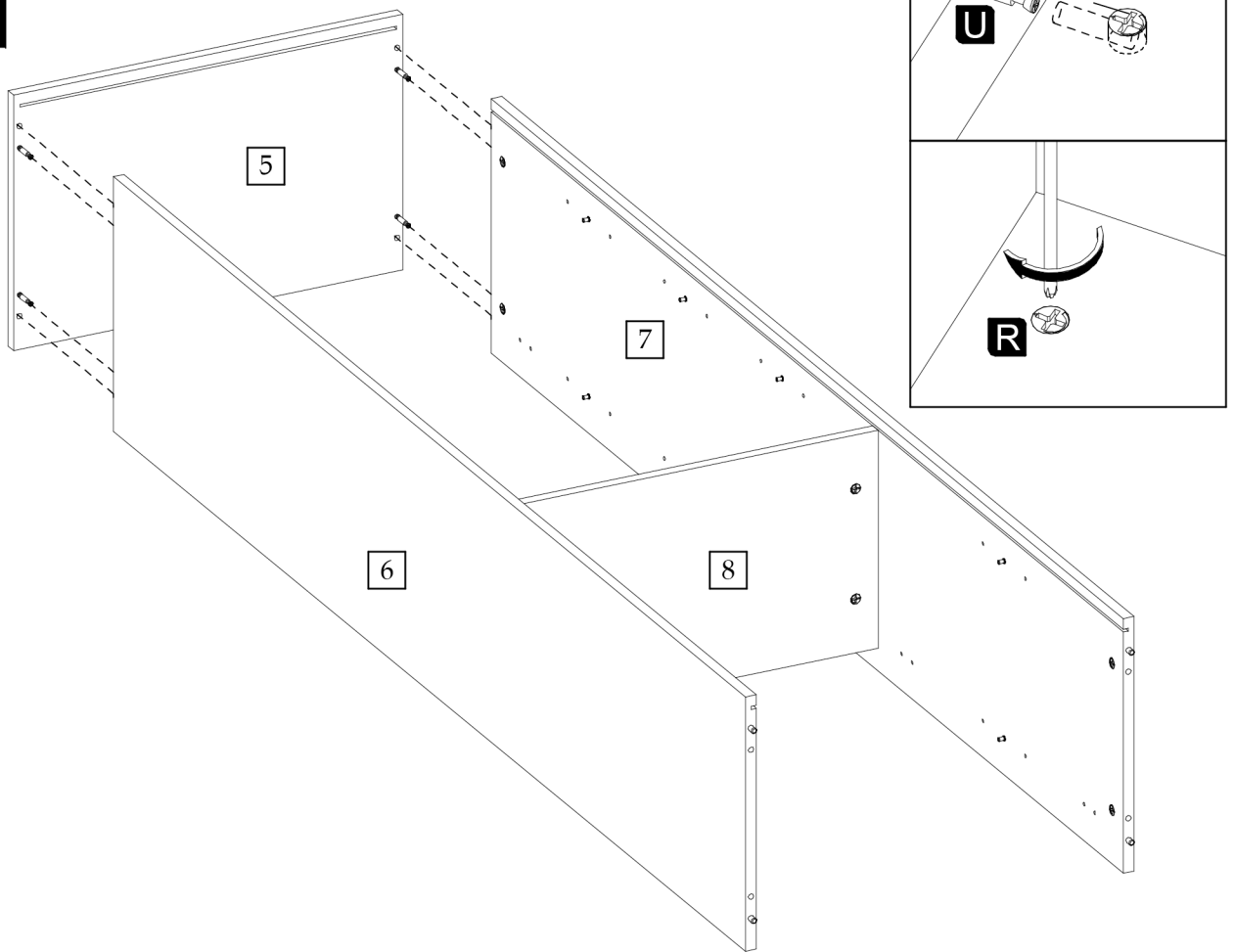
4



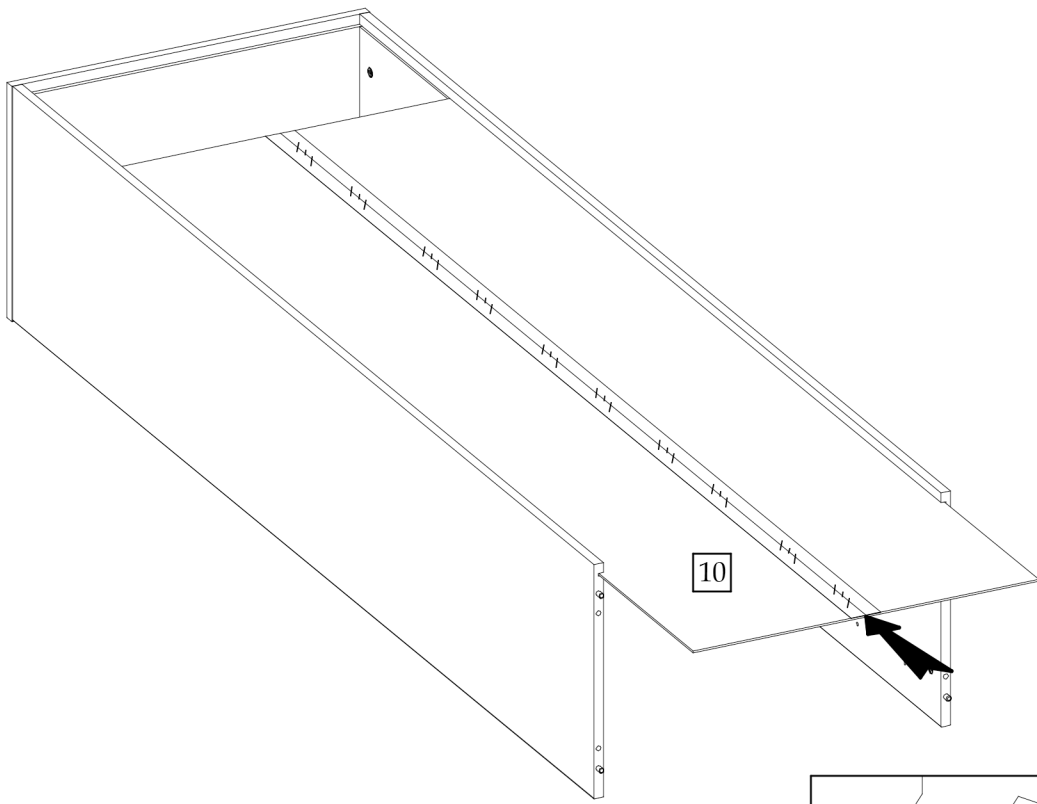
5



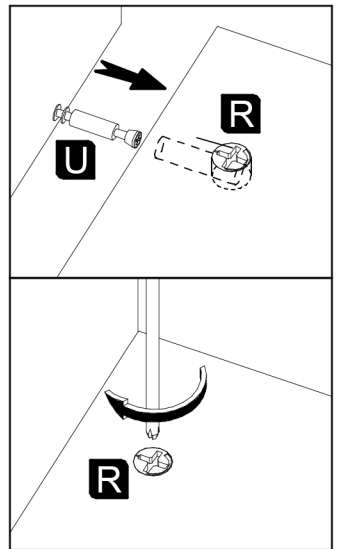
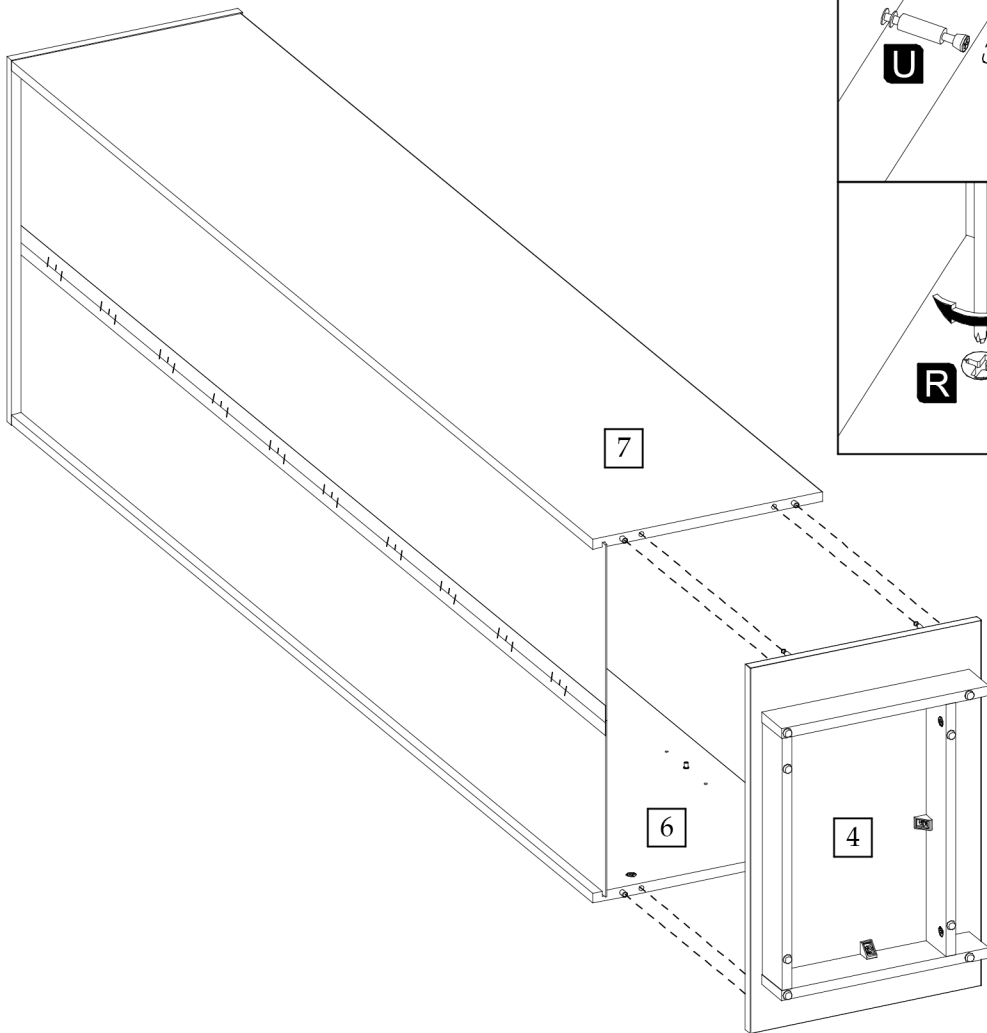
6



7



8



9

