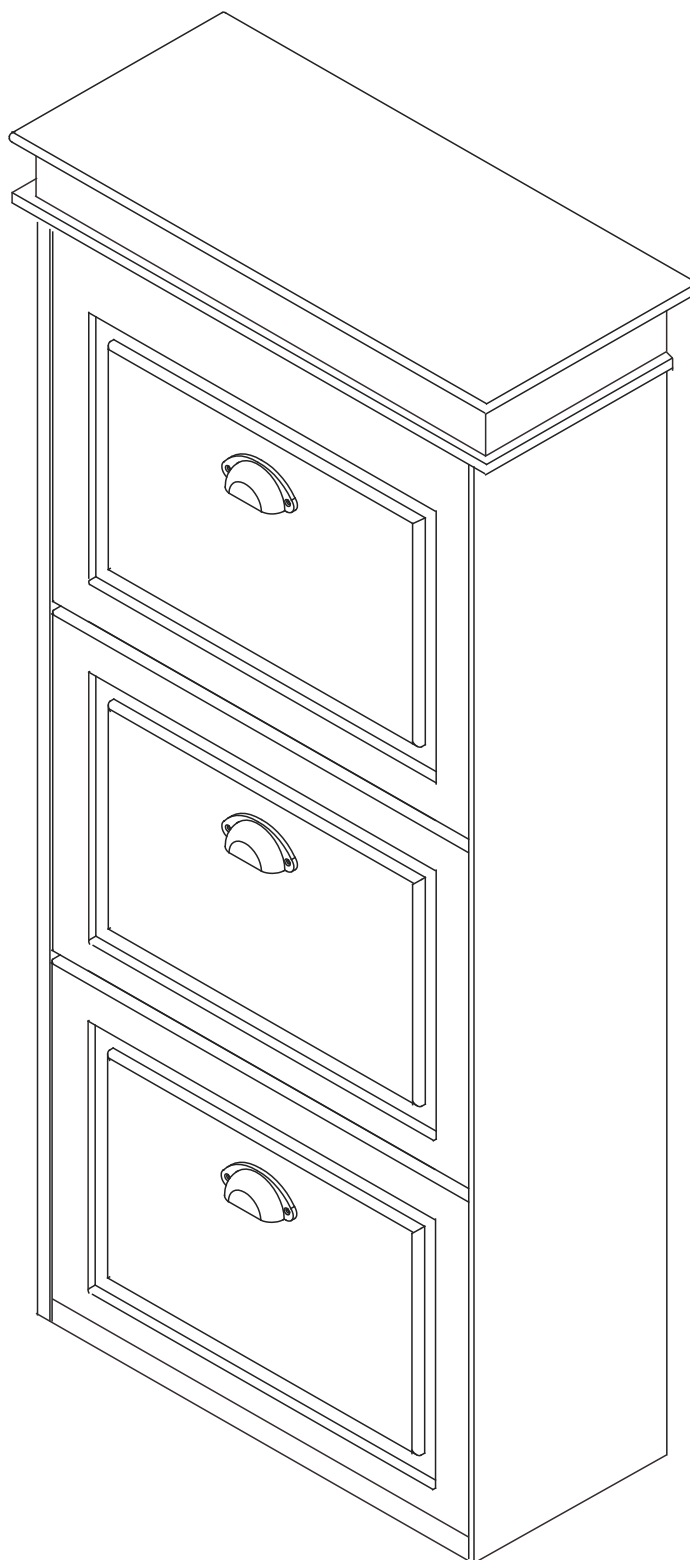
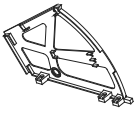

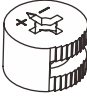

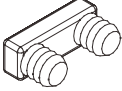
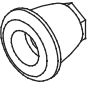









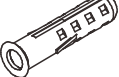
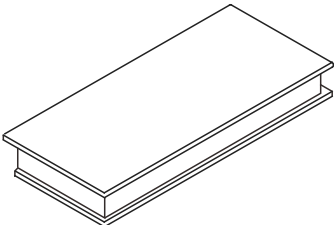
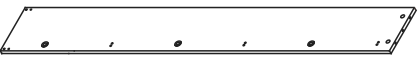

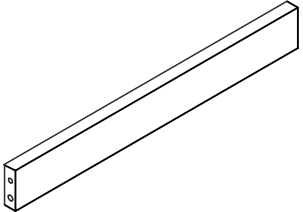
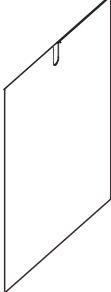
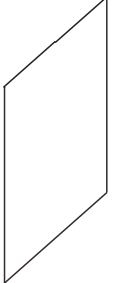
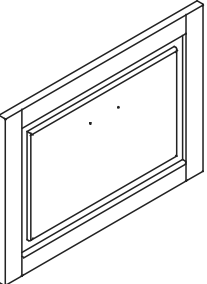
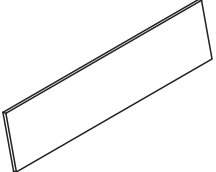
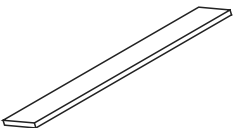


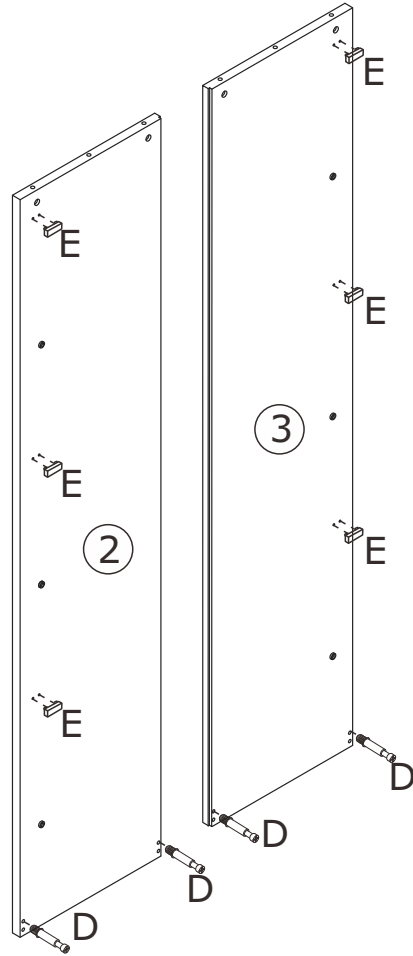
SEBER TYP 2



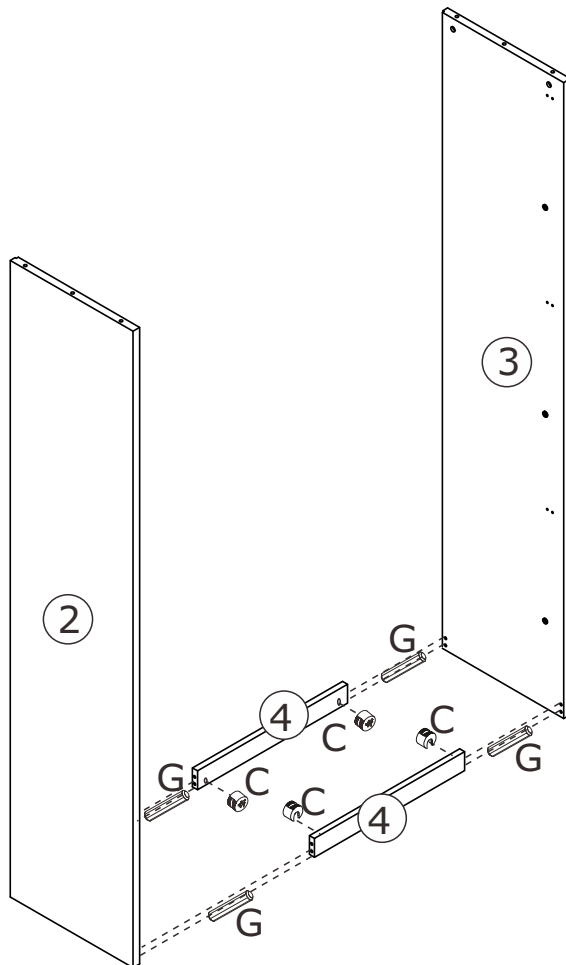
<p>Ax3</p> 	<p>Bx3</p> 	<p>Cx8</p> 	<p>Dx8</p> 
<p>Ex6</p> 	<p>Fx6</p> 	<p>Gx8</p> 	<p>Hx3</p> 
<p>Ix6</p>  <p>4x12mm</p>	<p>Jx6</p>  <p>4x12mm</p>	<p>Kx36</p>  <p>3x16mm</p>	<p>Lx1</p> 
<p>Mx16</p>  <p>2.5x10mm</p>	<p>Nx1</p>  <p>4x12mm</p>	<p>Ox1</p>  <p>4x40mm</p>	<p>Px1</p> 

<p>1x1</p> 	<p>2x1</p> 	<p>3x1</p> 
<p>4x2</p> 	<p>5x1</p> 	<p>6x1</p> 
<p>7x3</p> 	<p>8x6</p> 	<p>9x3</p> 

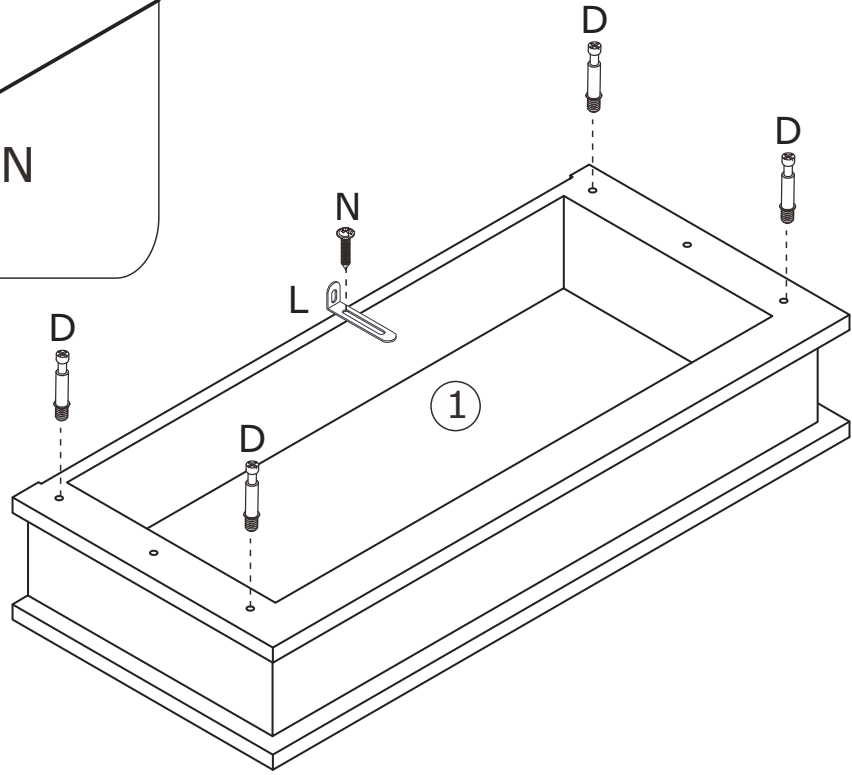
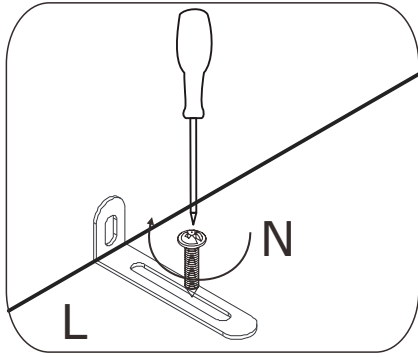
1



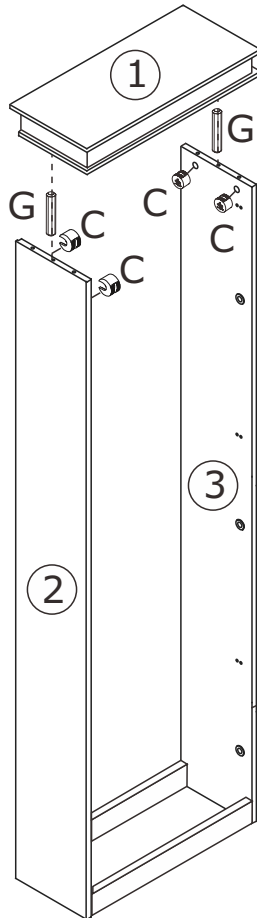
2



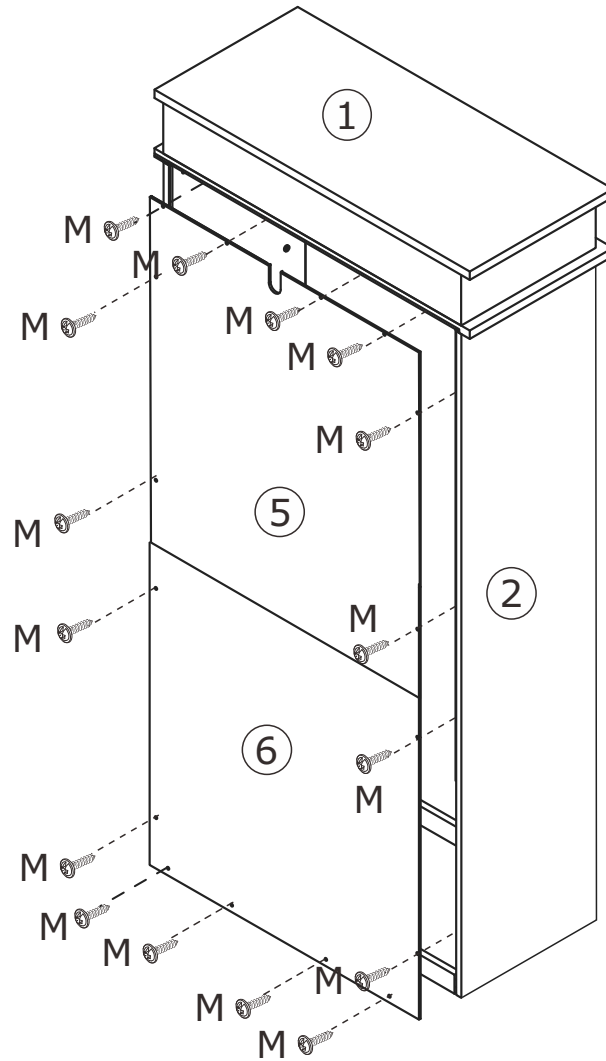
3



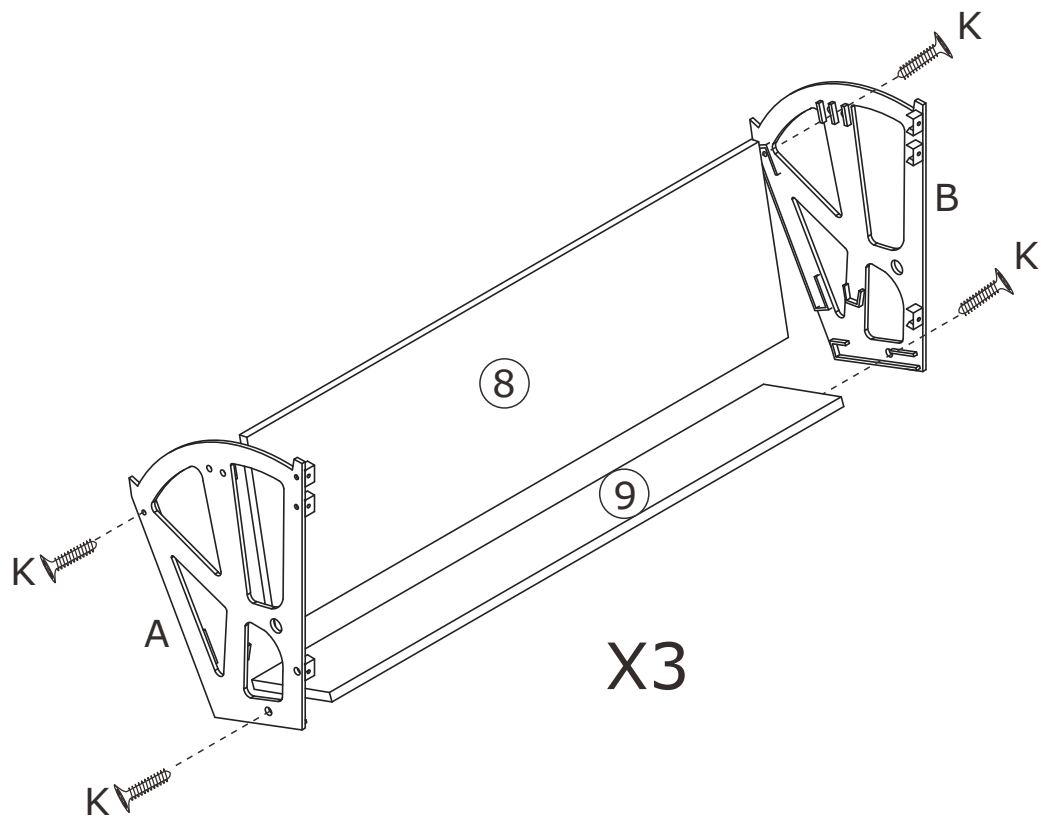
4



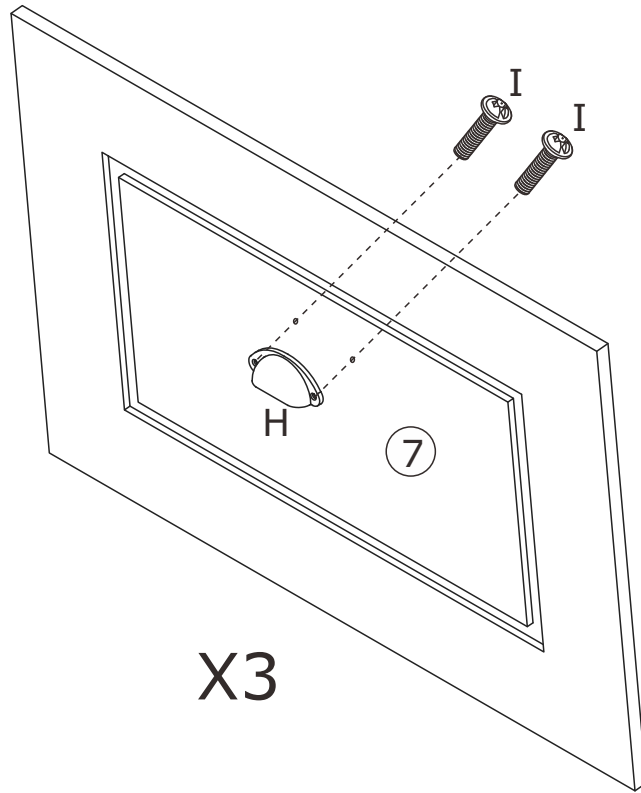
5



6

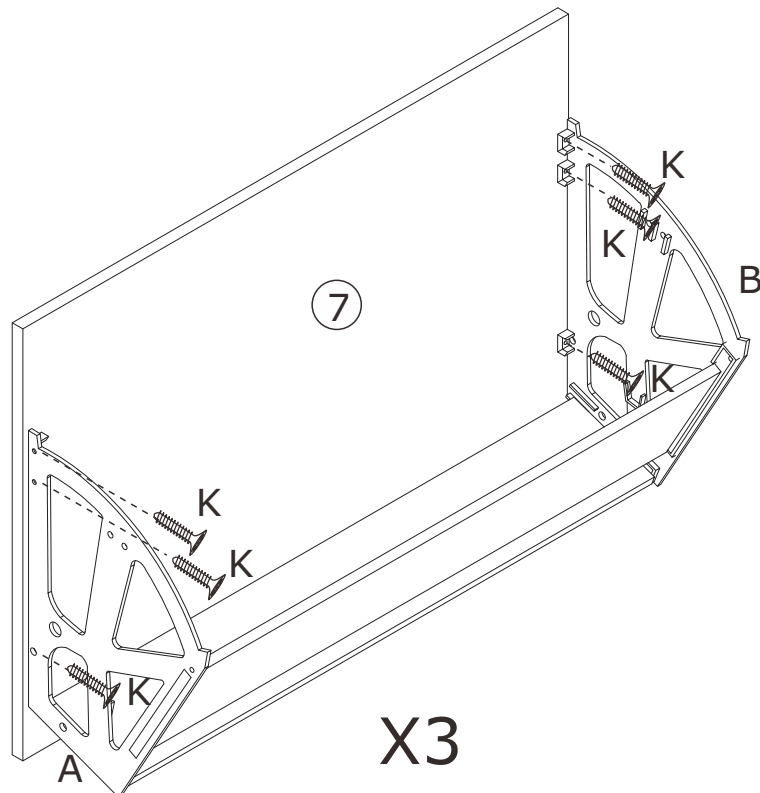


7



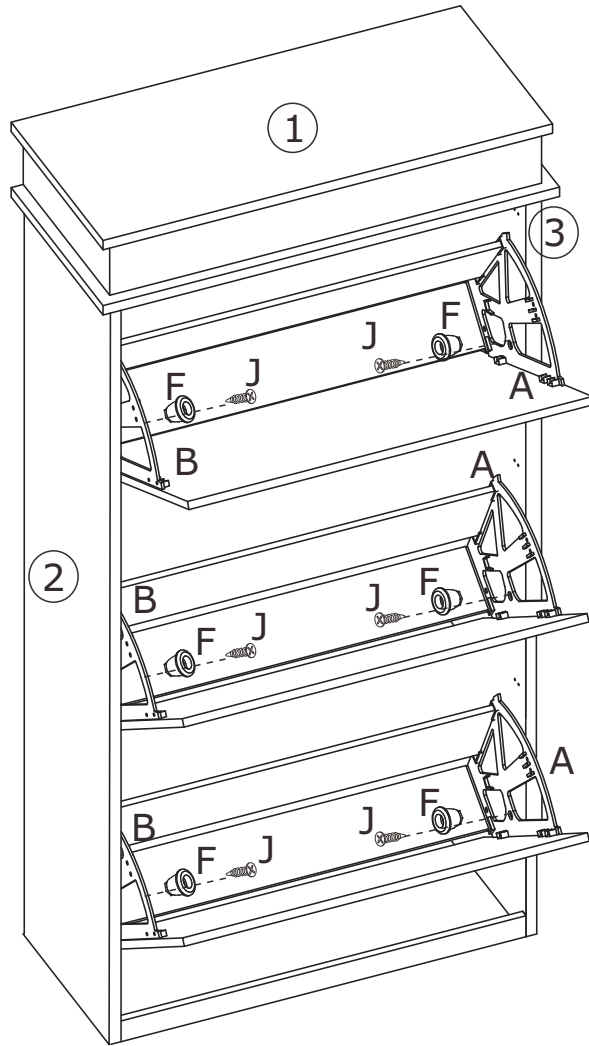
X3

8

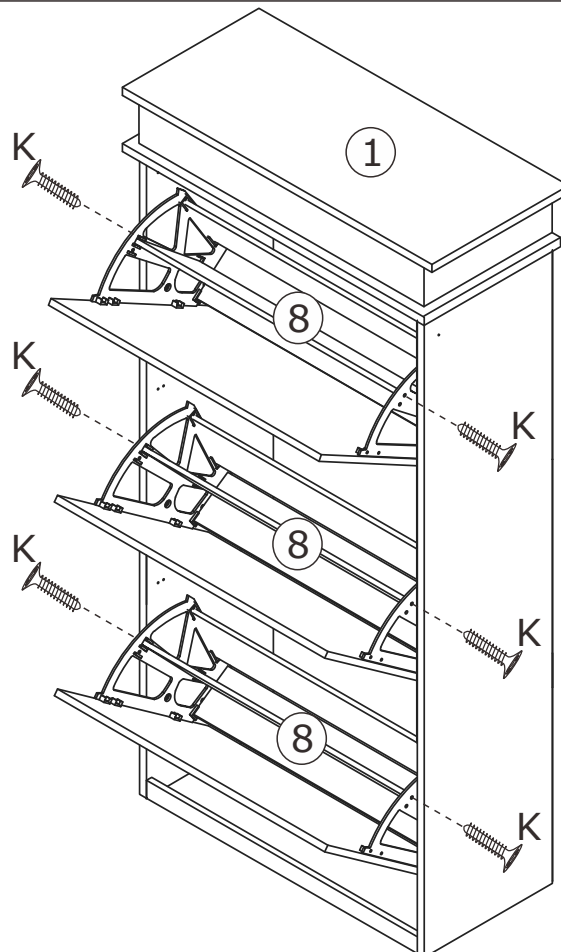


X3

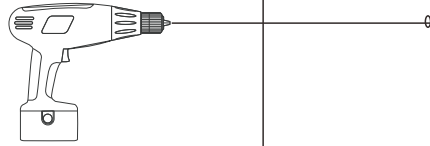
9



10



11



12

