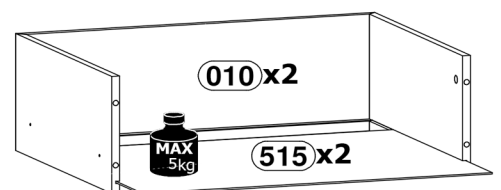
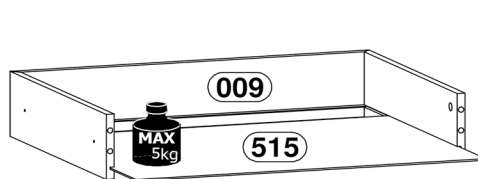
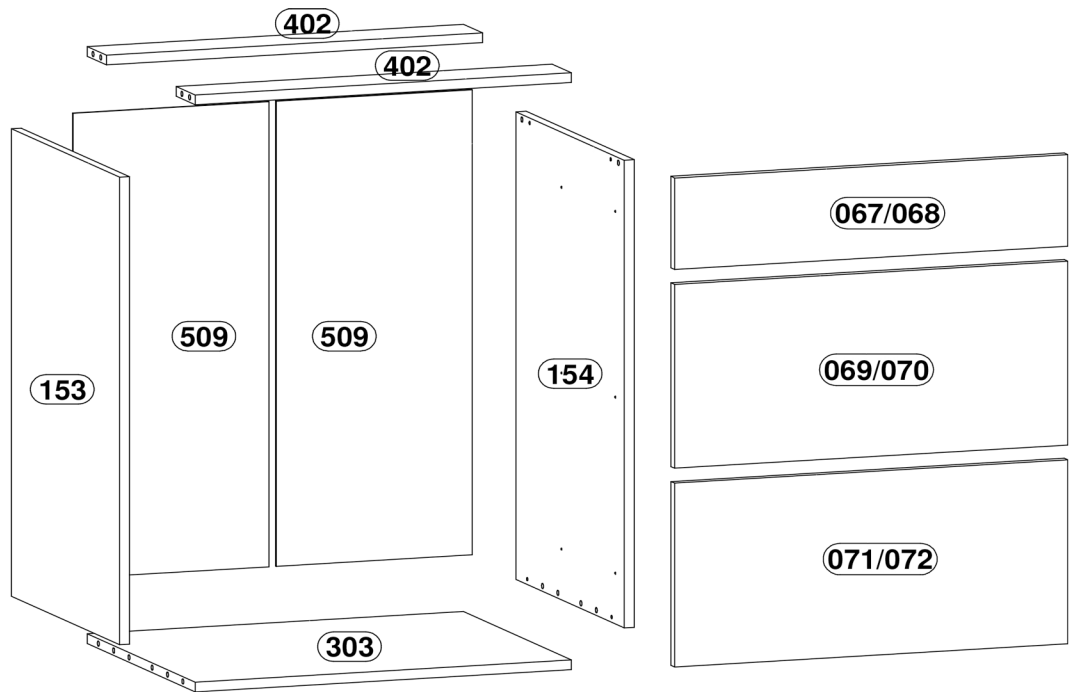
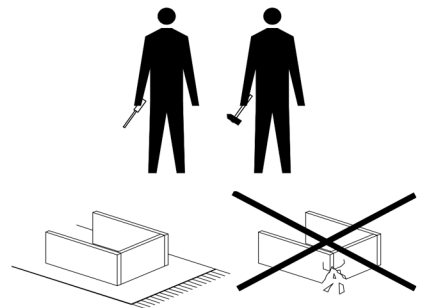
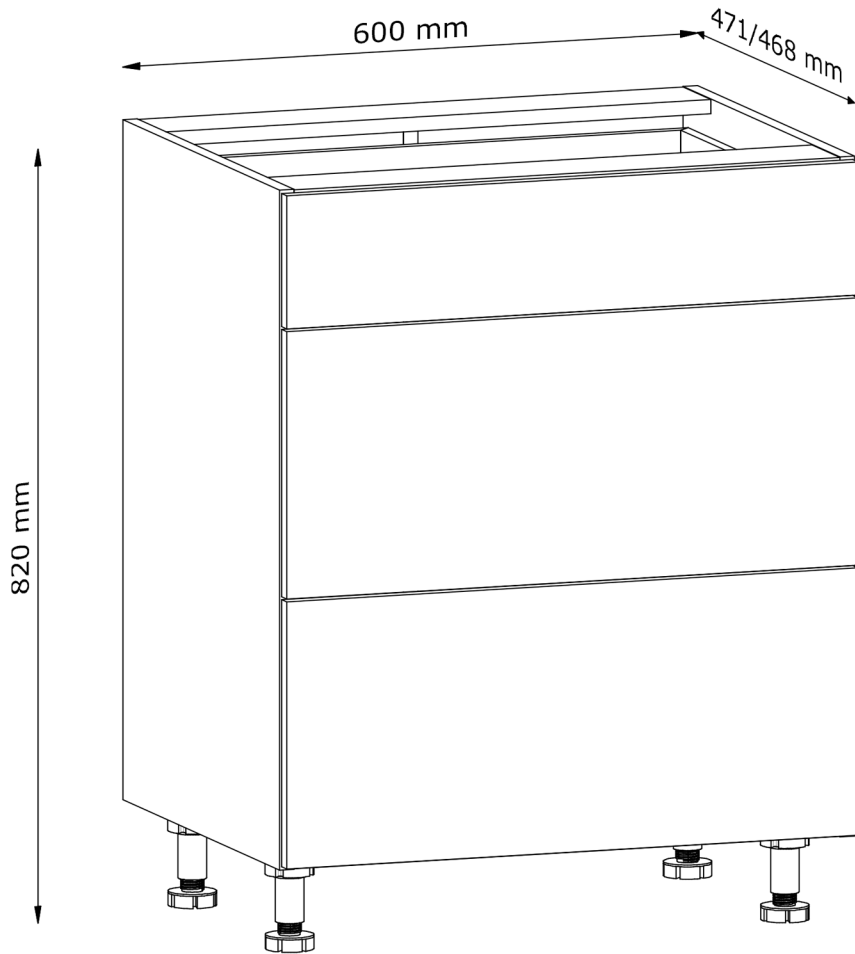
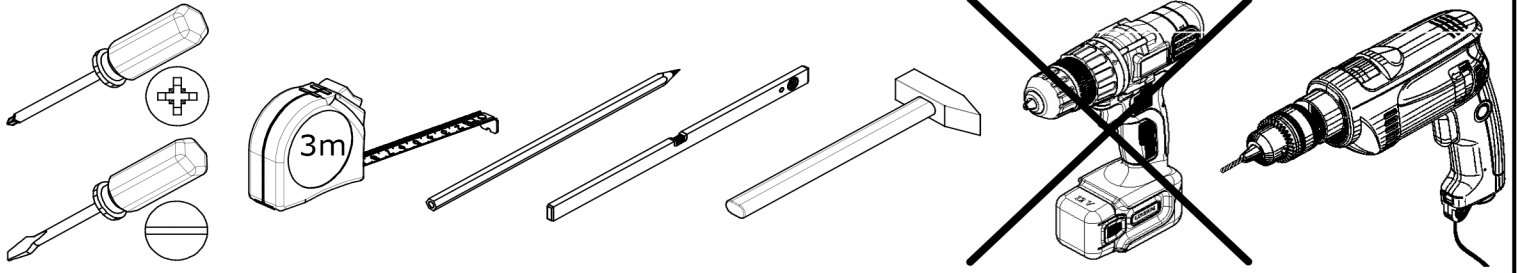
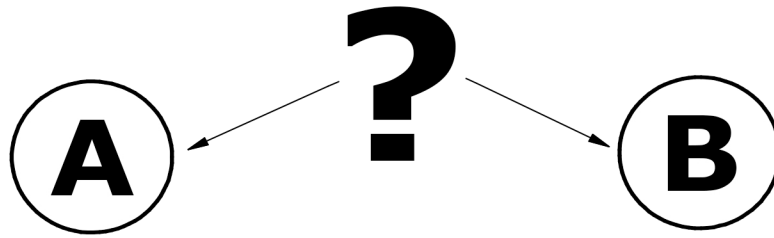


# LANGEN

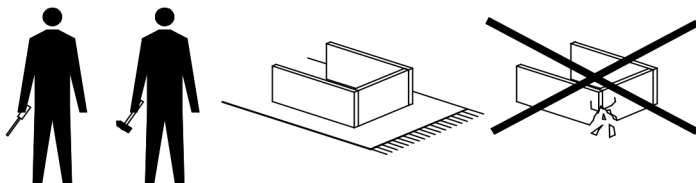
# D60S3

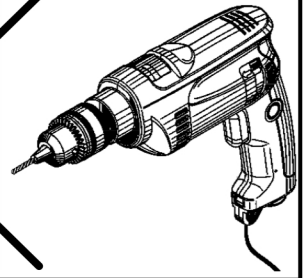
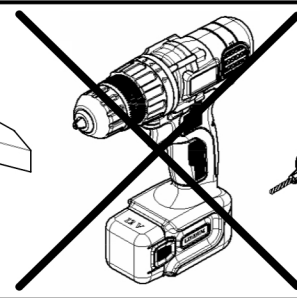
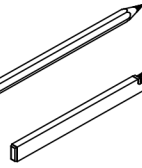
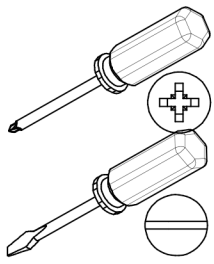


No.	L[mm]	W[mm]	H[mm]	PCS	BOX
009	1344	100	12	1	1/3
010	1344	180	12	2	1/3
067/068	596	141	15/18	1	3/3
069/070	596	283	15/18	1	3/3
071/072	596	283	15/18	1	3/3
153	720	450	15	1	1/3
154	720	450	15	1	1/3
303	570	450	15	1	1/3
402	570	80	15	2	1/3
509	716	297	2,5	2	1/3
515	530	400	2,5	3	1/3



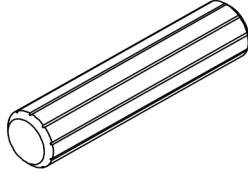
	<b>A1 x 18</b>  $\text{Ø}8 \times 35 \text{mm}$	<b>B1 x 14</b>  $\text{Ø}5 \times 38 \text{mm}$	<b>C1 x 8</b>  $\text{Ø}15 \times 12 \text{mm}$	<b>C2 x 6</b>  $\text{Ø}12 \times 10 \text{mm}$
<b>G1 x 28</b>  26mm	<b>H4 x 1</b>  715mm	<b>J1 x 6</b>  $\text{Ø}21 \text{mm}$	<b>L1 x 4</b>  $\text{Ø}50 \times 95 \text{mm}$	<b>P18 x 6</b> <b>PUSH OPEN</b>  400x45x13mm
<b>S3 x 3</b>  400mm	<b>W1 x 24</b>  $\text{Ø}3,5 \times 13 \text{mm}$	<b>W2 x 16</b>  $\text{Ø}3,5 \times 16 \text{mm}$	<b>W16 x 18</b>  $\text{Ø}3,5 \times 13 \text{mm}$	





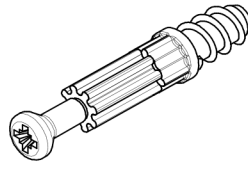
**B**

**A1 x 18**



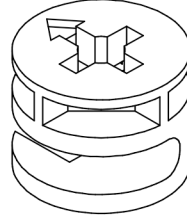
Ø8x35mm

**B1 x 14**



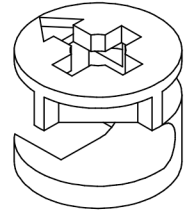
Ø5x38mm

**C1 x 8**



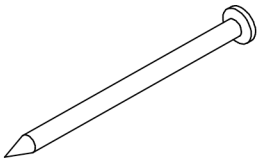
Ø15x12mm

**C2 x 6**



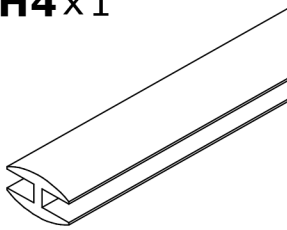
Ø12x10mm

**G1 x 28**



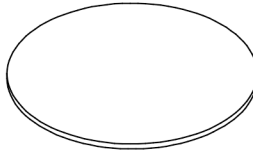
26mm

**H4 x 1**



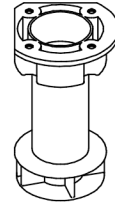
715mm

**J1 x 6**



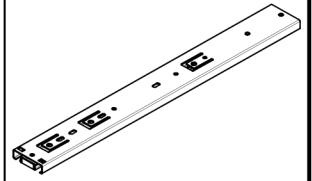
Ø21mm

**L1 x 4**



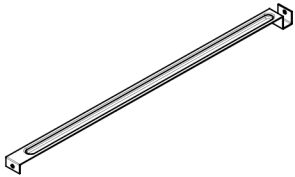
Ø50x95mm

**P17 x 6**



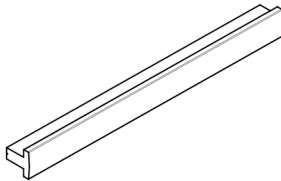
400x45x13mm

**S3 x 3**



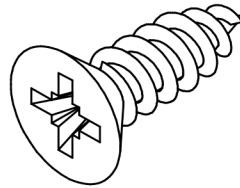
400mm

**U19 x 3**



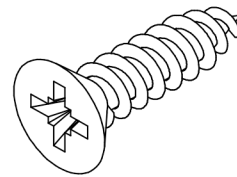
300mm

**W1 x 24**



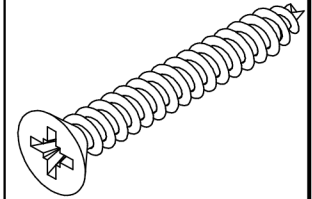
Ø3,5x13mm

**W2 x 16**



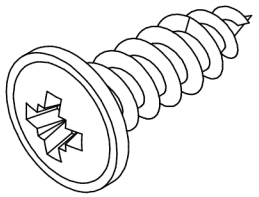
Ø3,5x16mm

**W5 x 6**



Ø4x30mm

**W16 x 18**

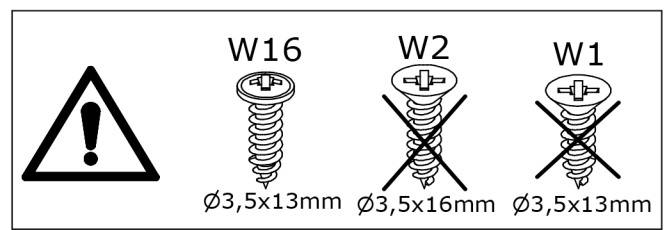
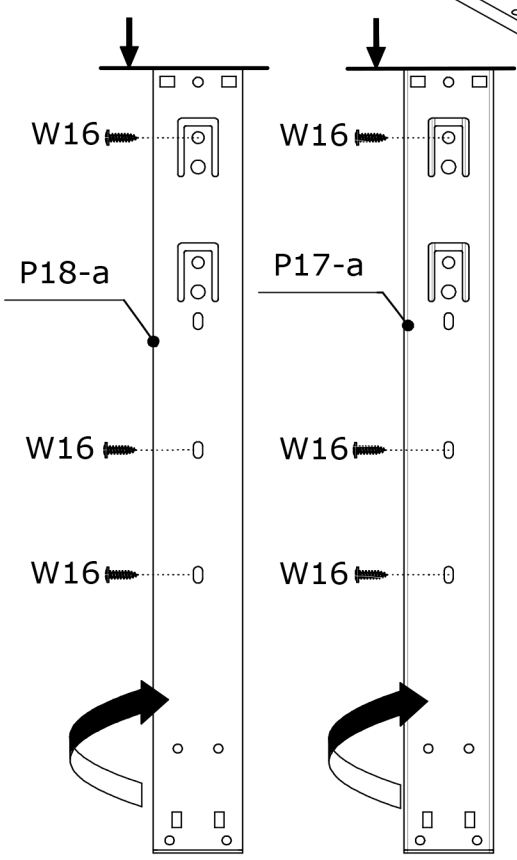
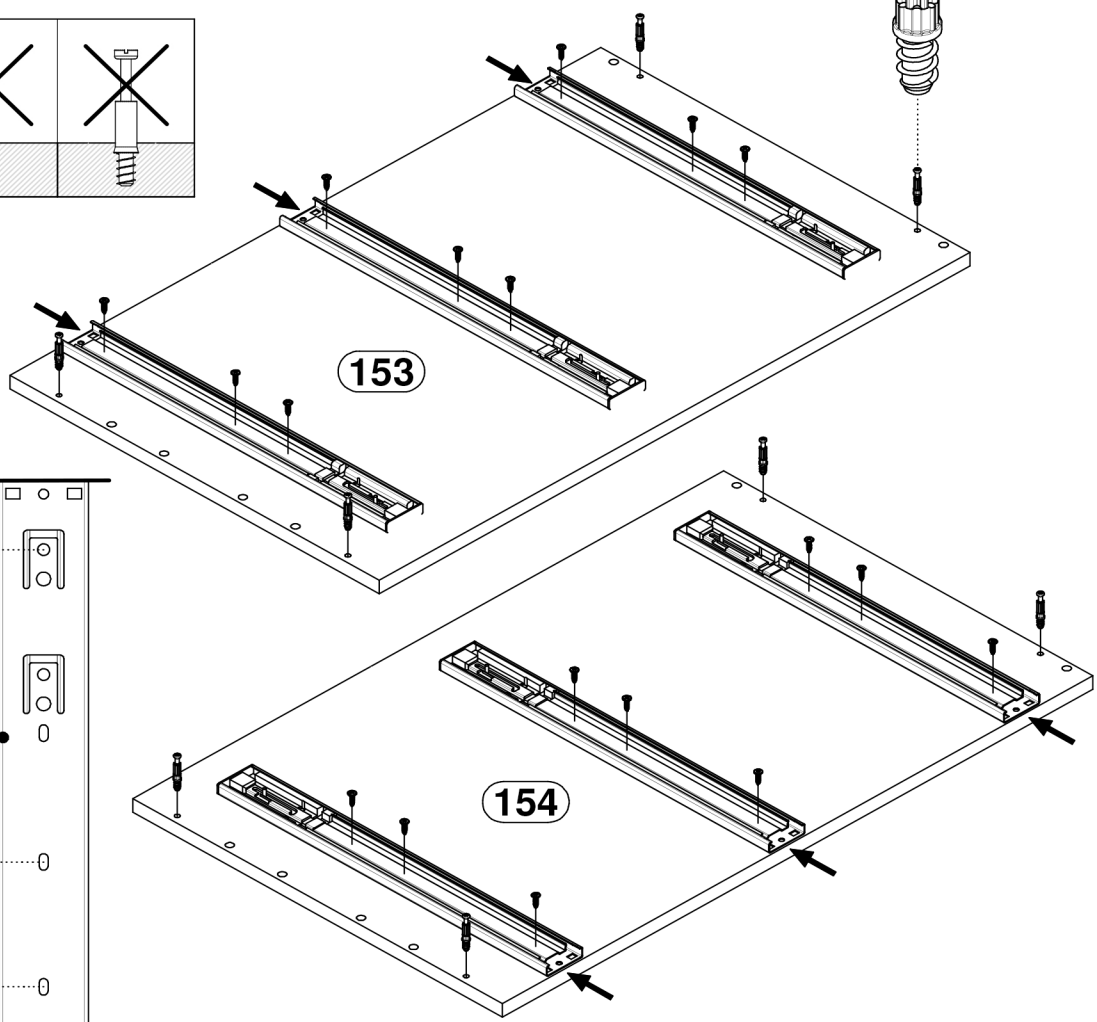
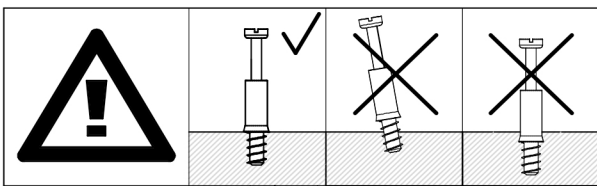
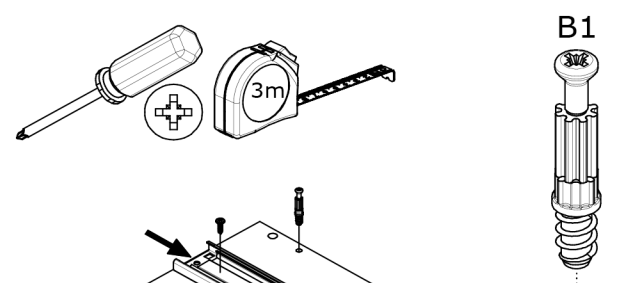
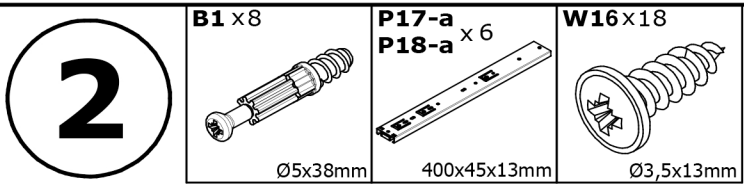
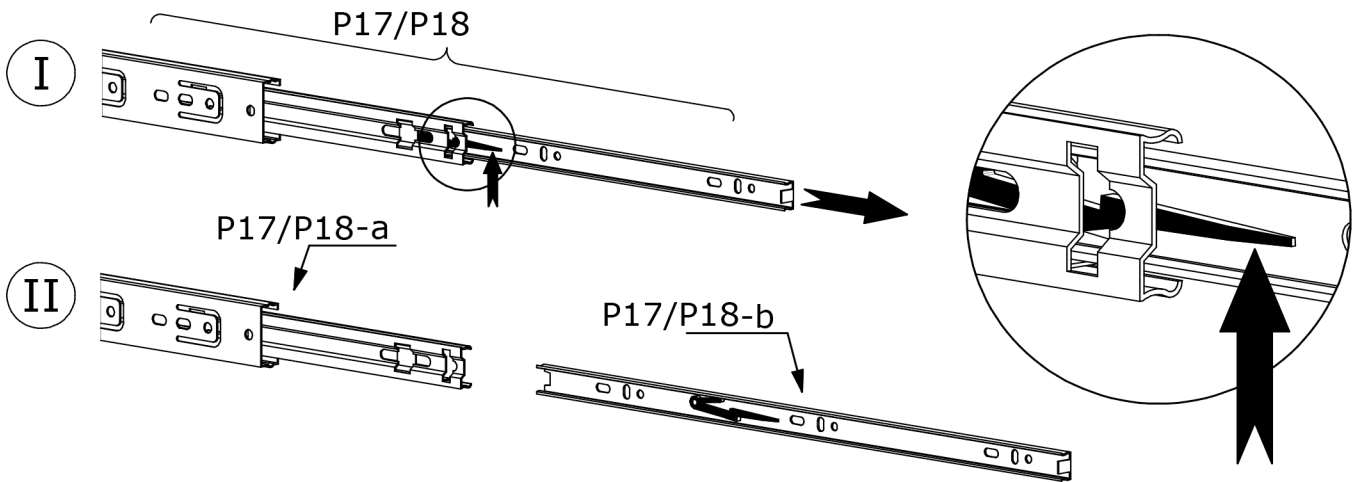
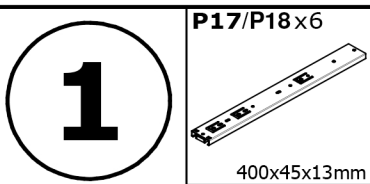


Ø3,5x13mm

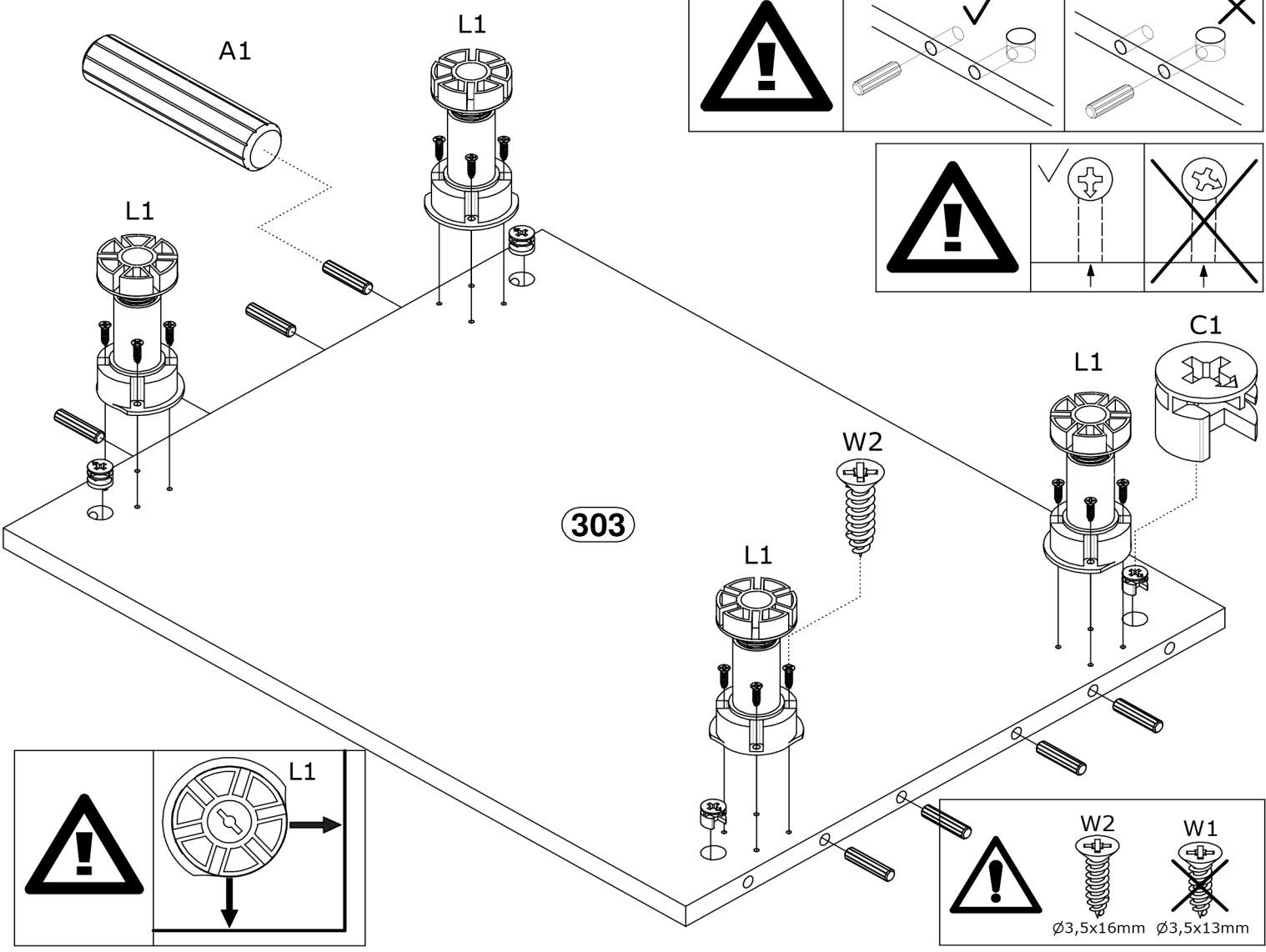
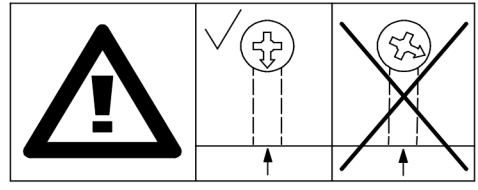
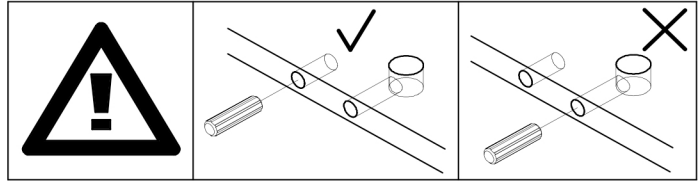
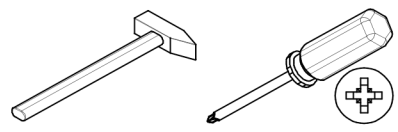
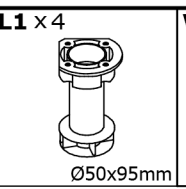
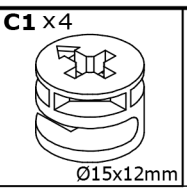
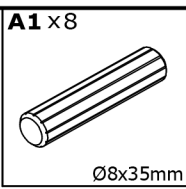
**Y1 x 6**



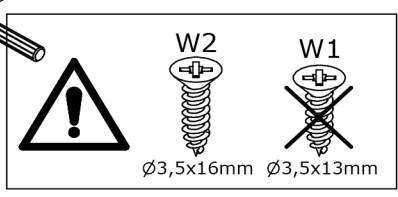
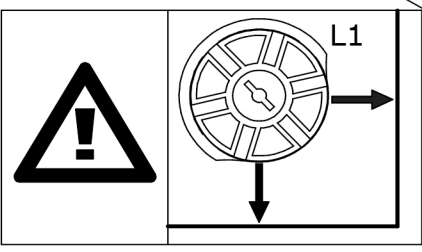
Ø8x1,5mm



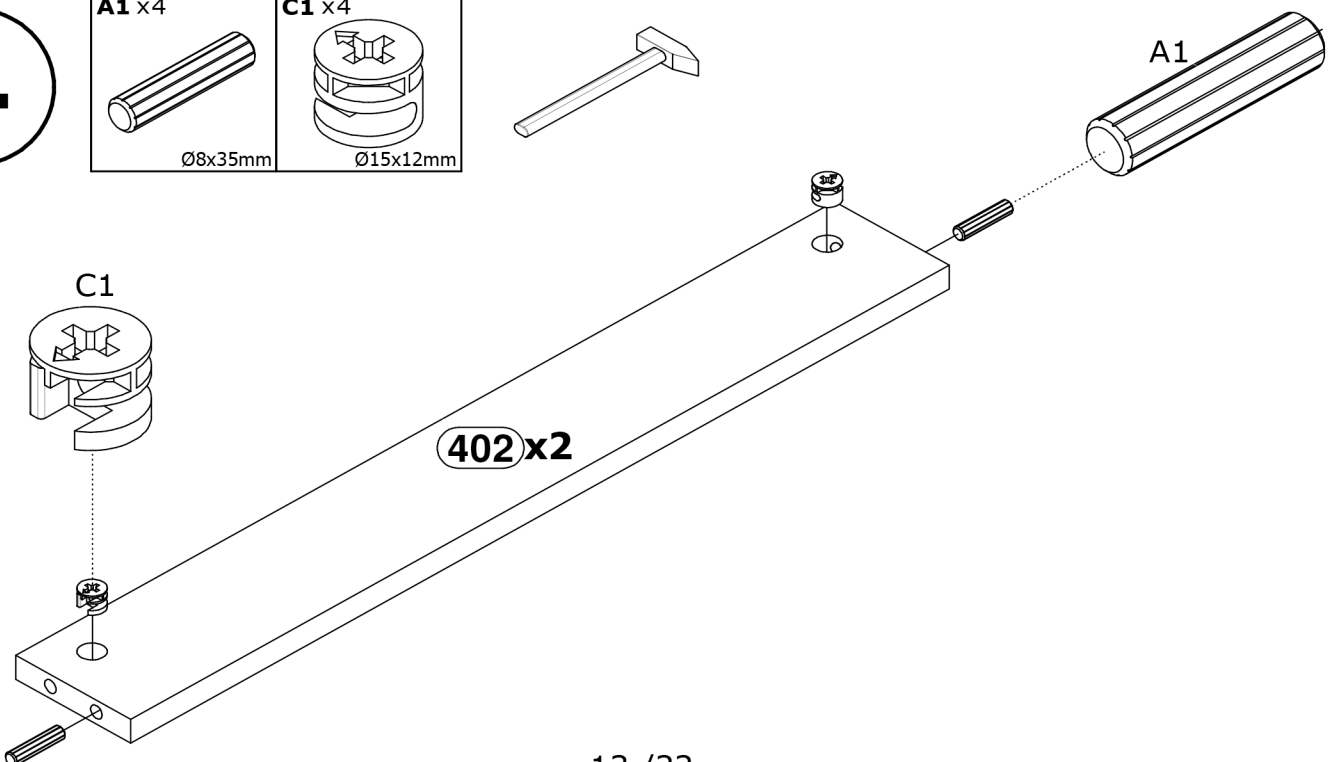
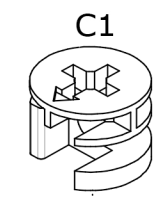
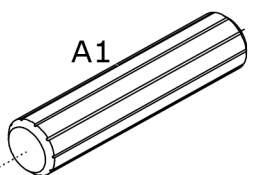
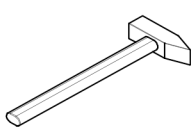
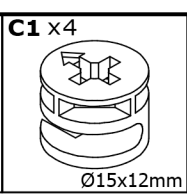
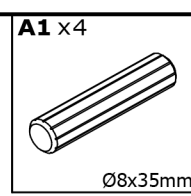
**3**



**303**

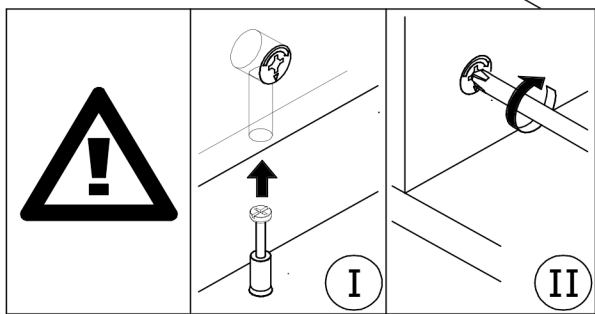
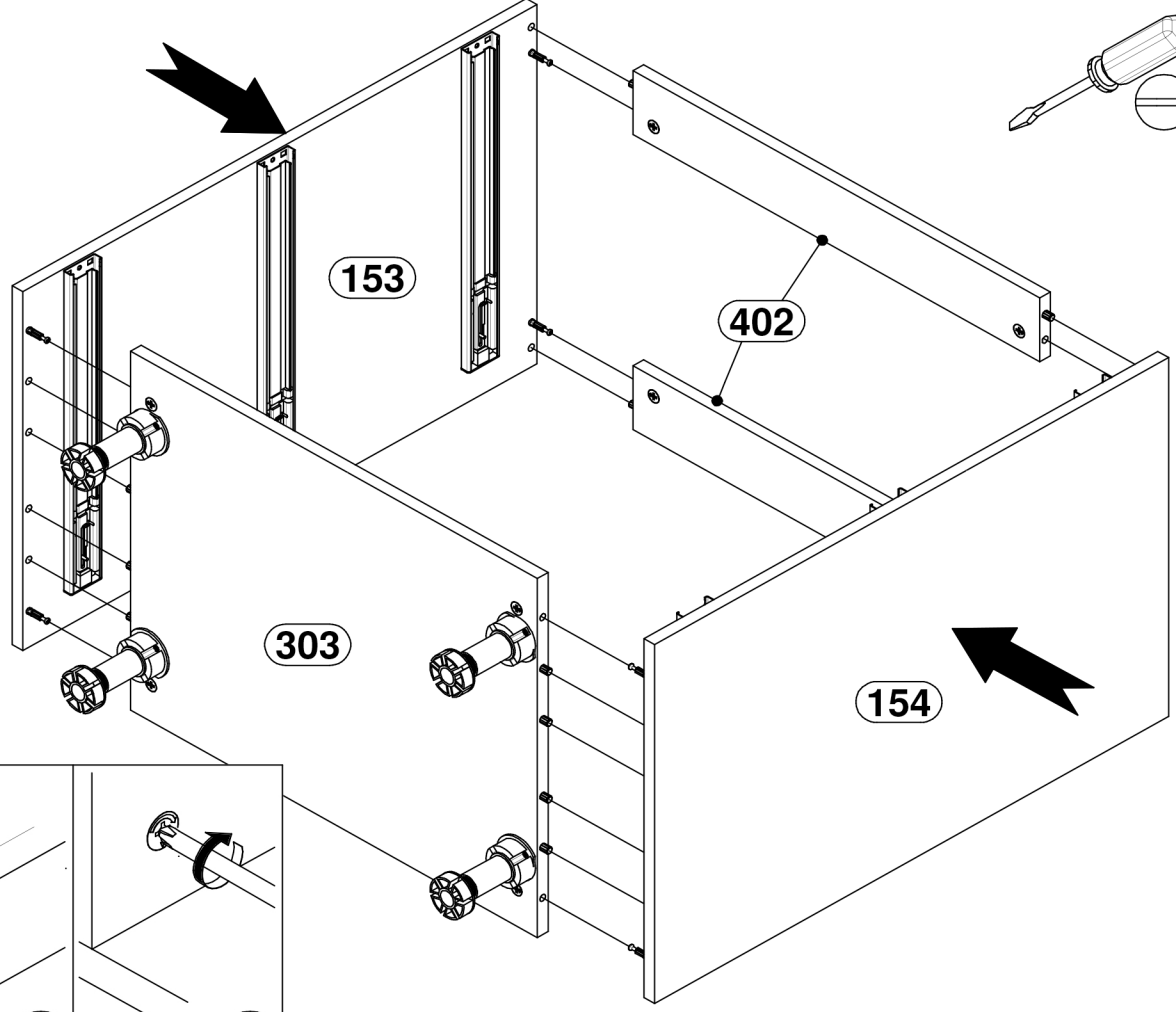


**4**

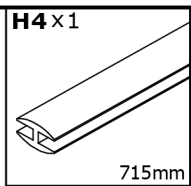


**402x2**

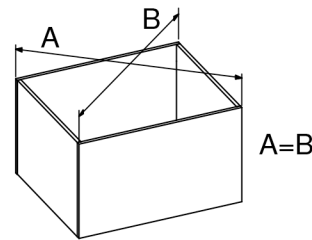
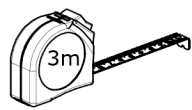
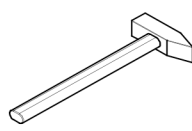
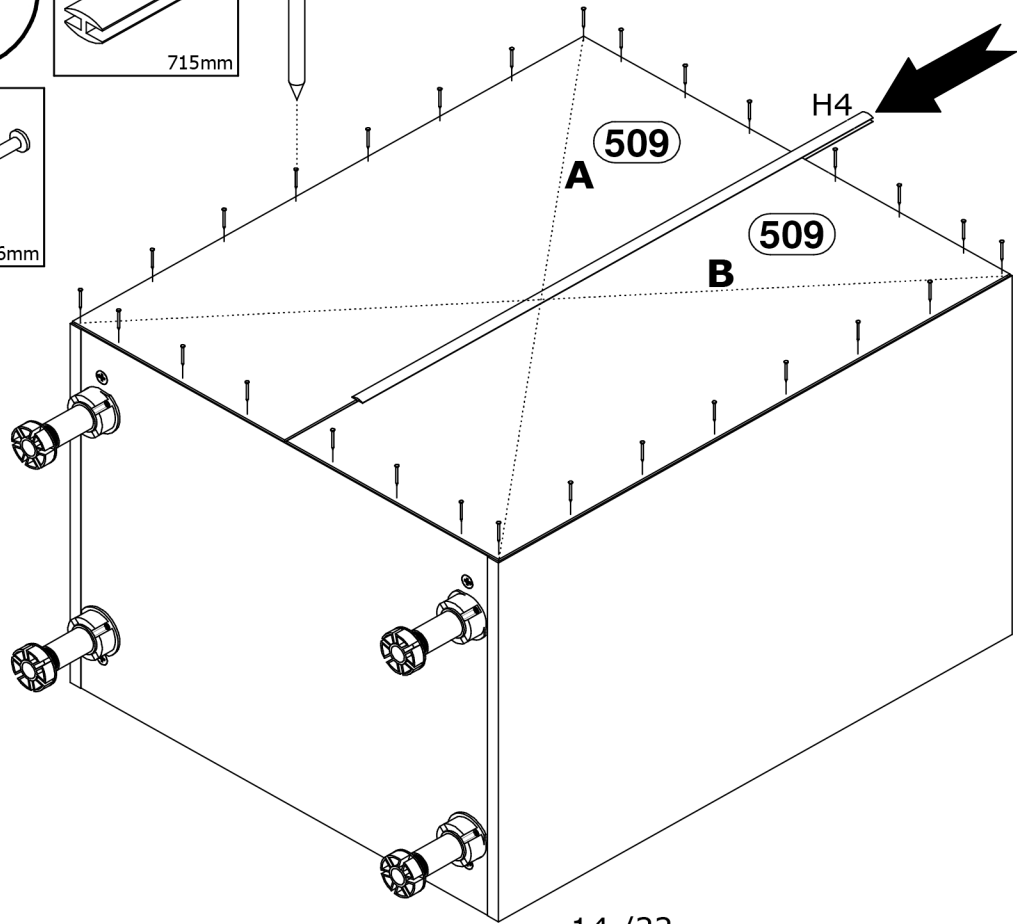
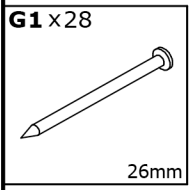
5



6

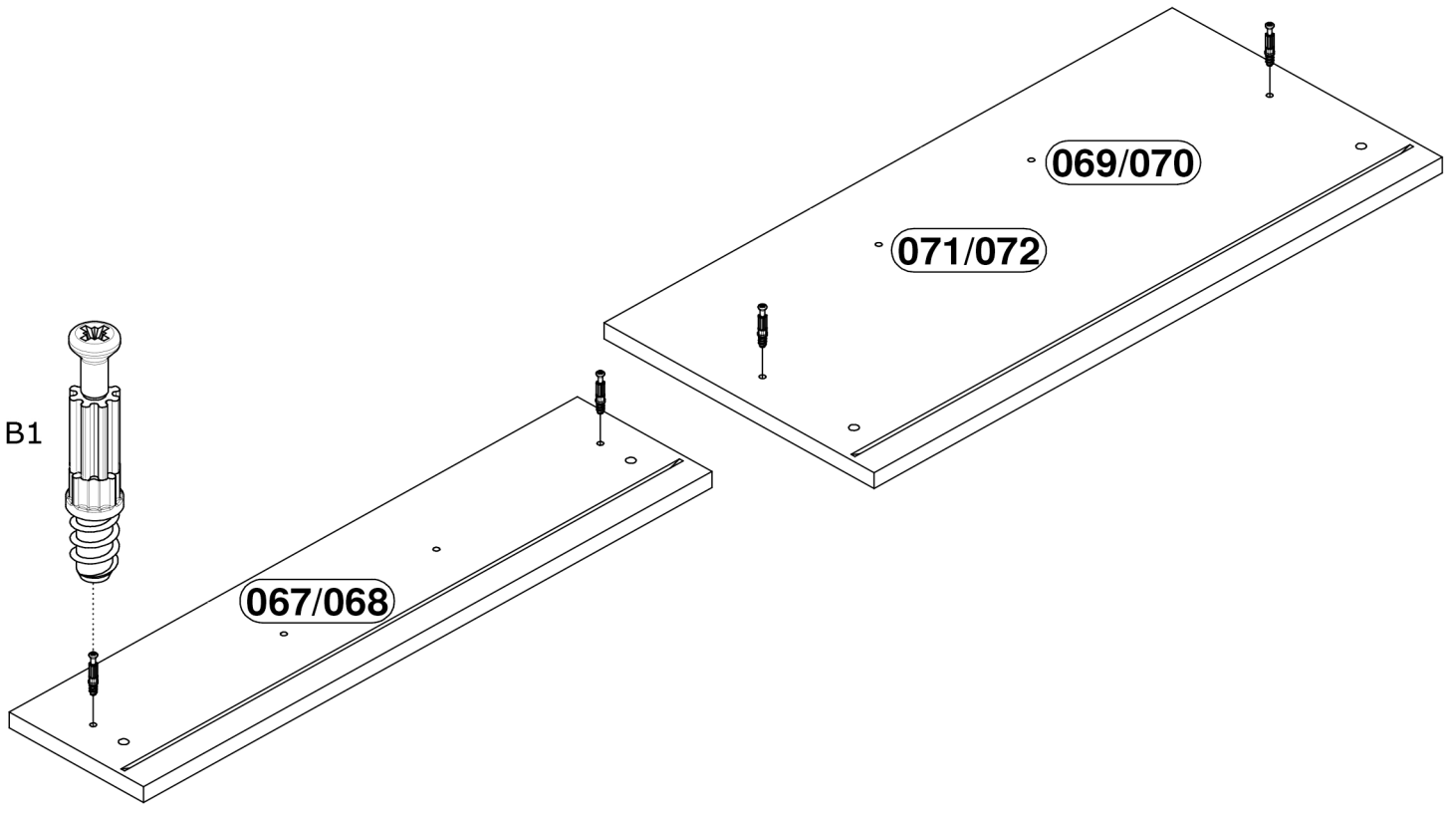
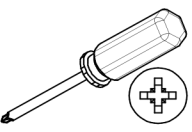


G1



7

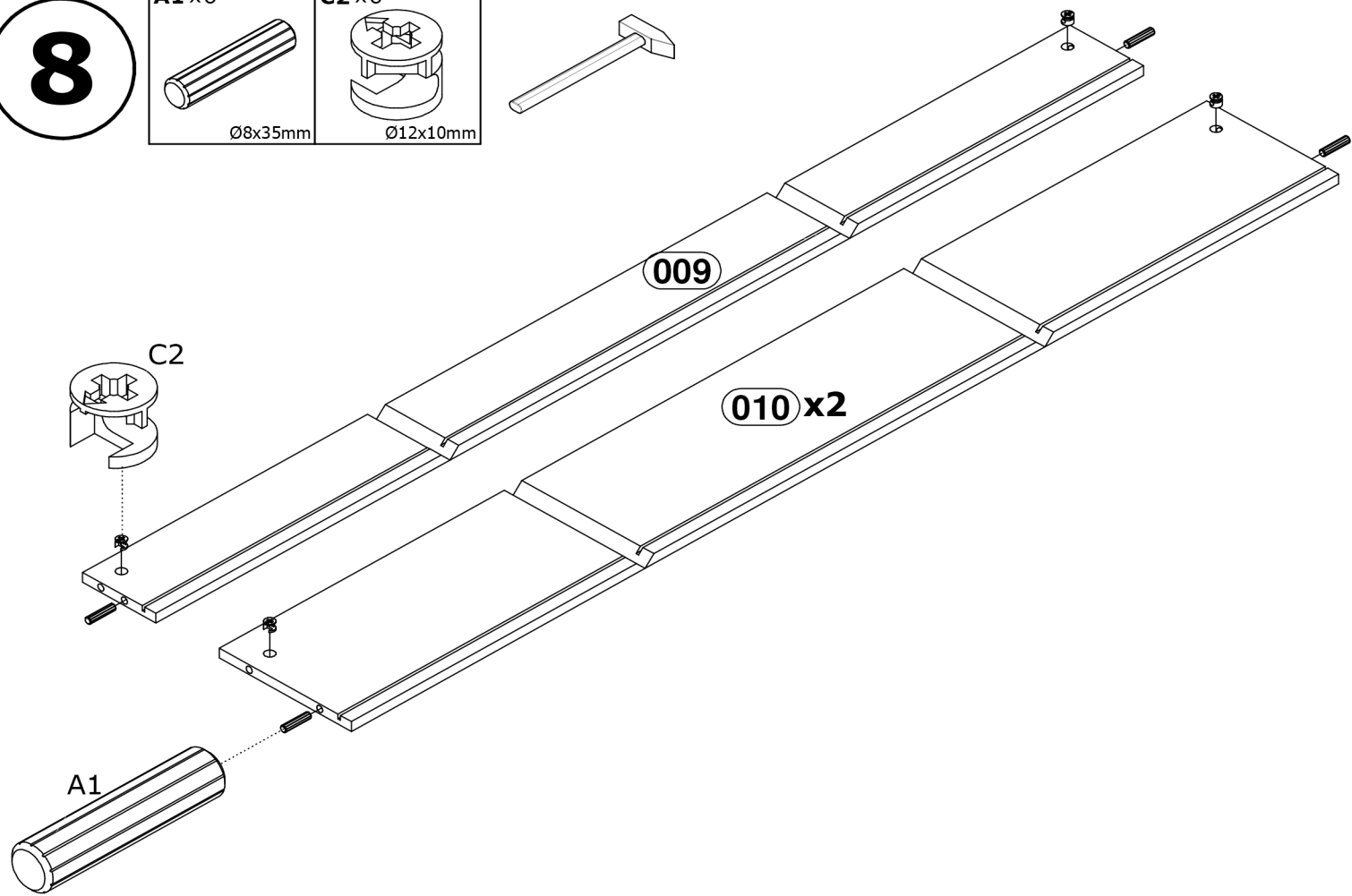
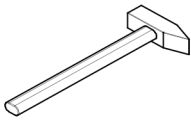
B1 x 6  
Ø5x38mm



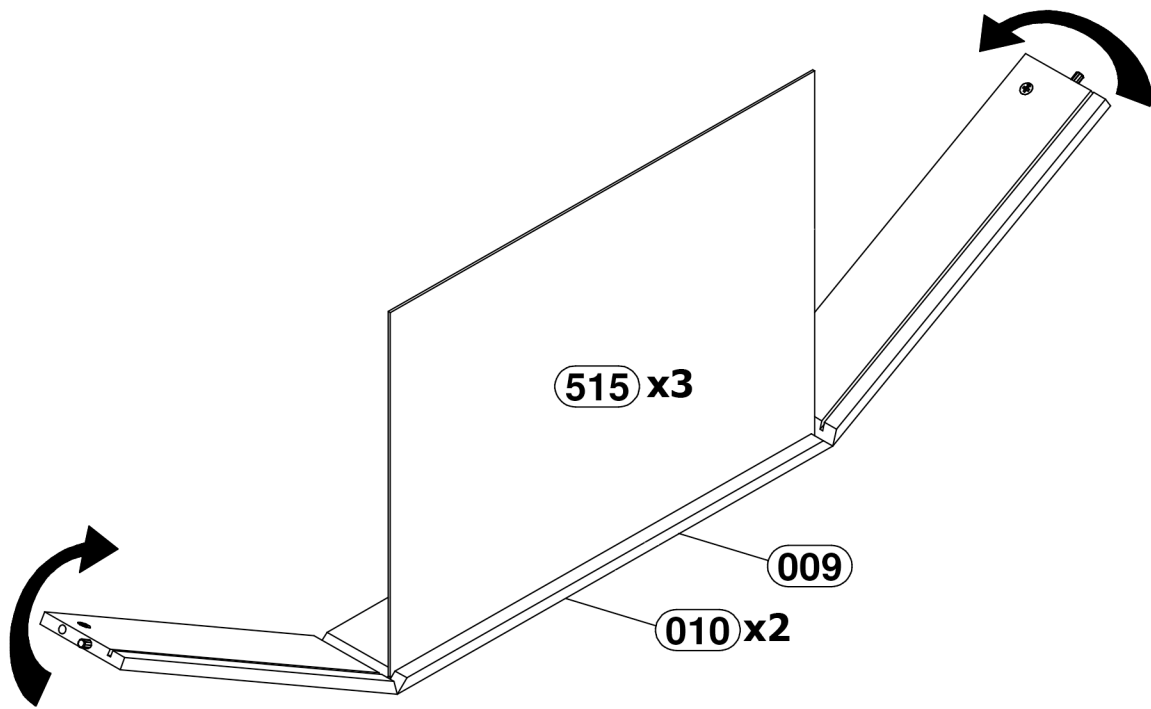
8

A1 x 6  
Ø8x35mm

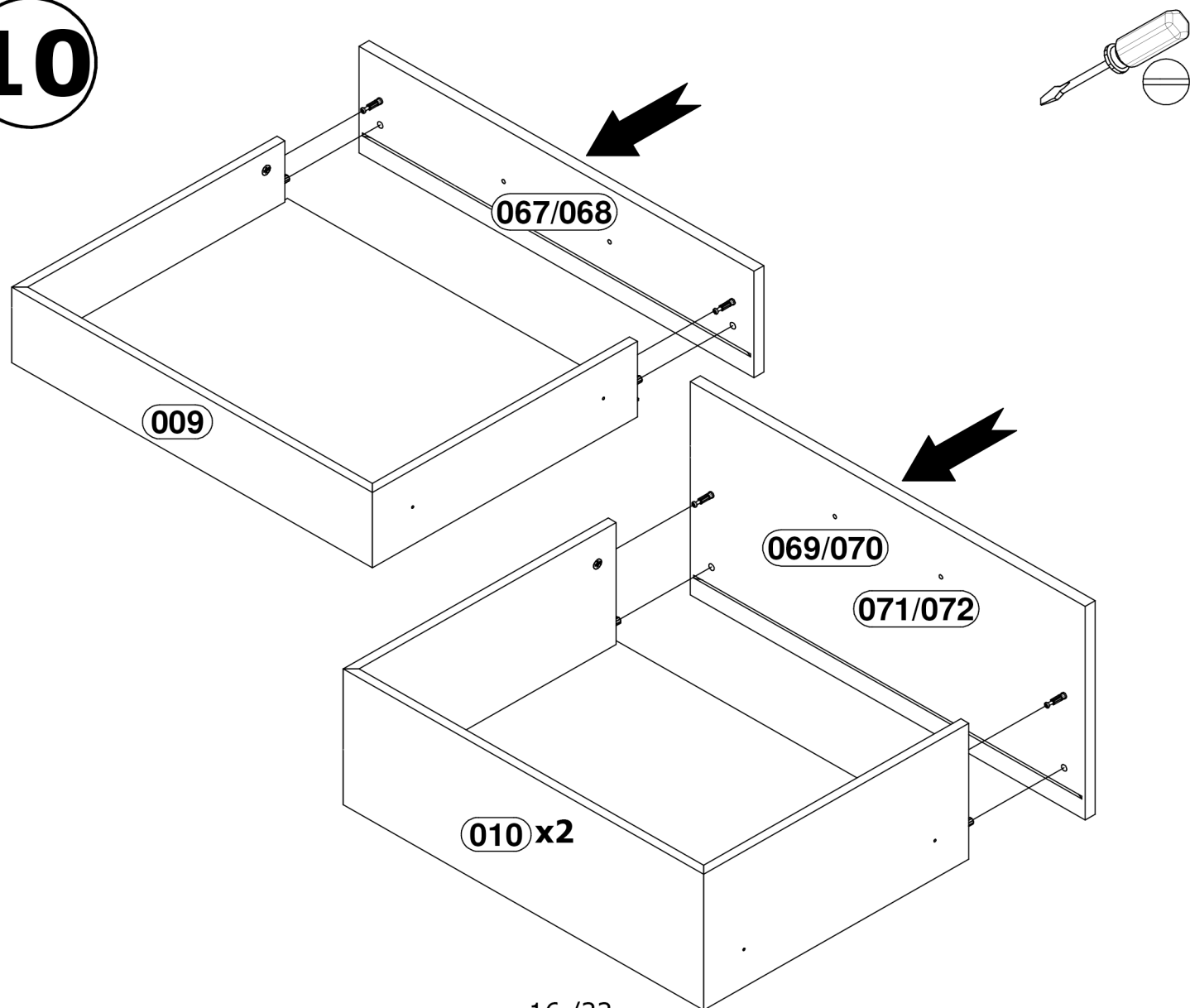
C2 x 6  
Ø12x10mm



9



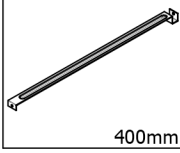
10





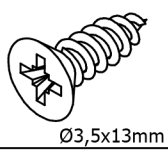
**11**

S3 x3

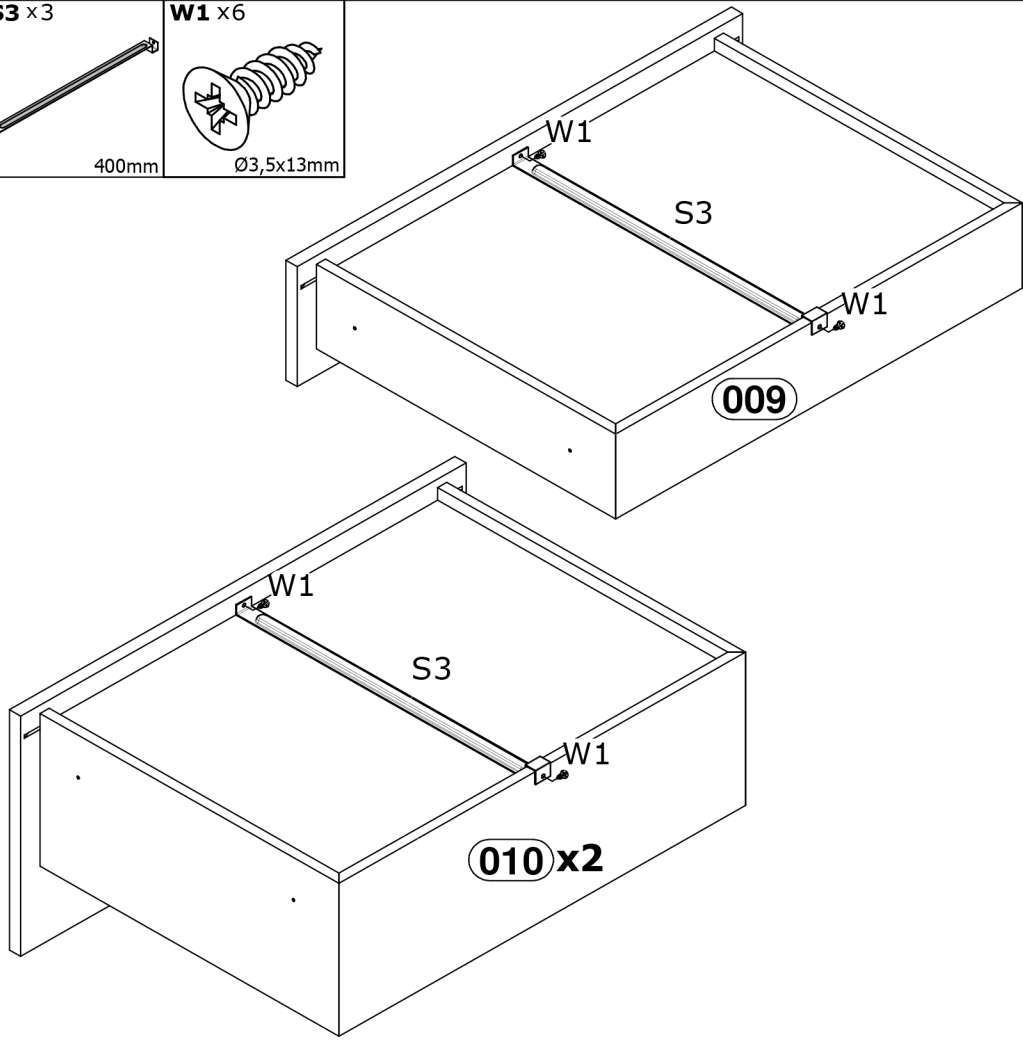
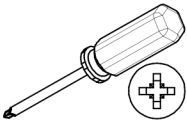


400mm

W1 x6

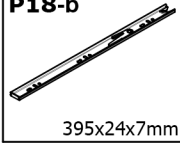


Ø3,5x13mm



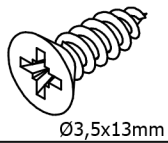
**12**

P17-b  
P18-b x6

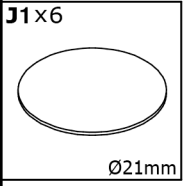
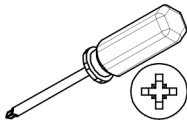


395x24x7mm

W1 x12

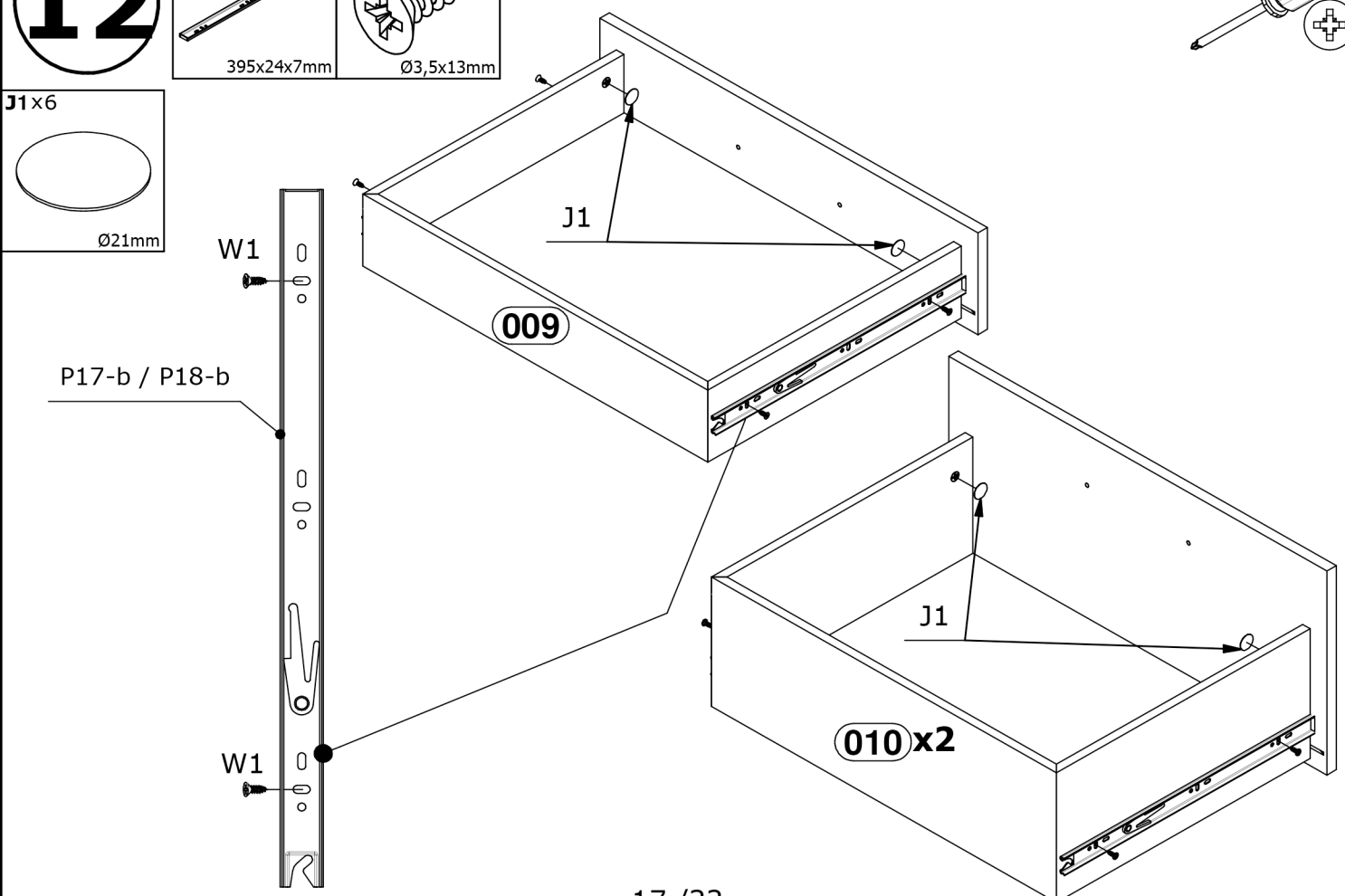


Ø3,5x13mm

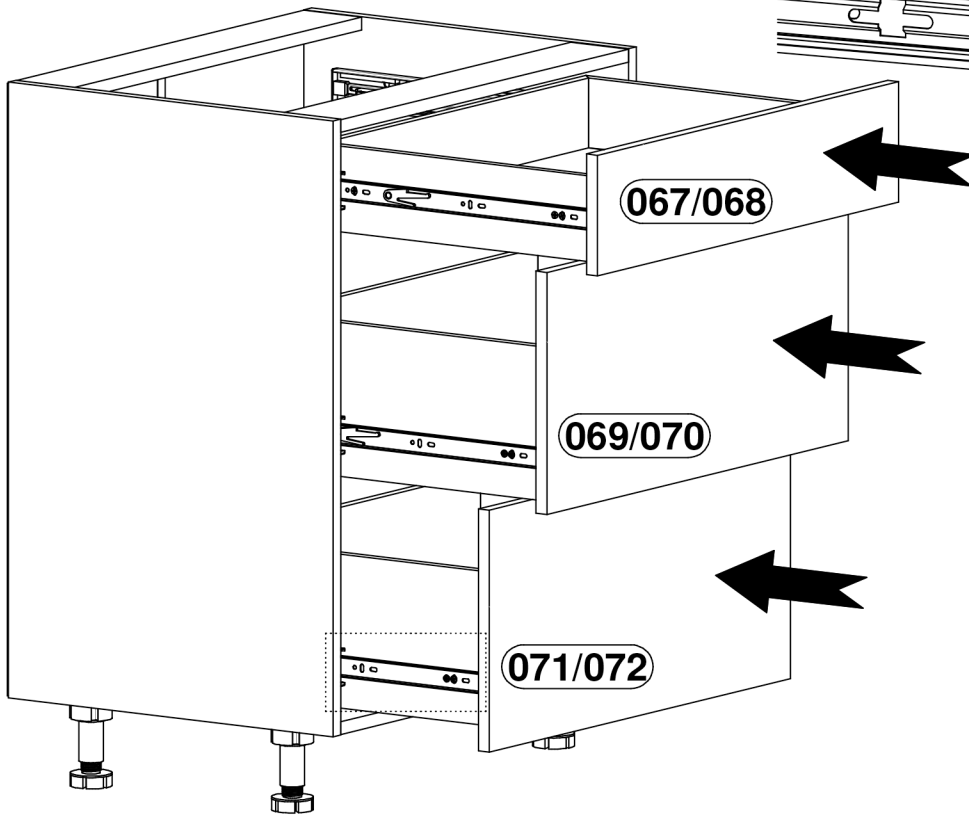
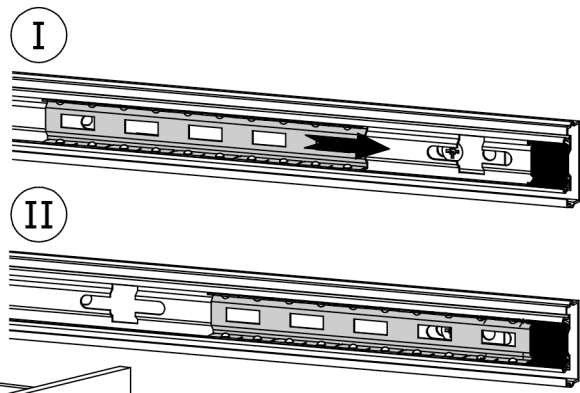


J1 x6

Ø21mm

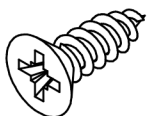


13

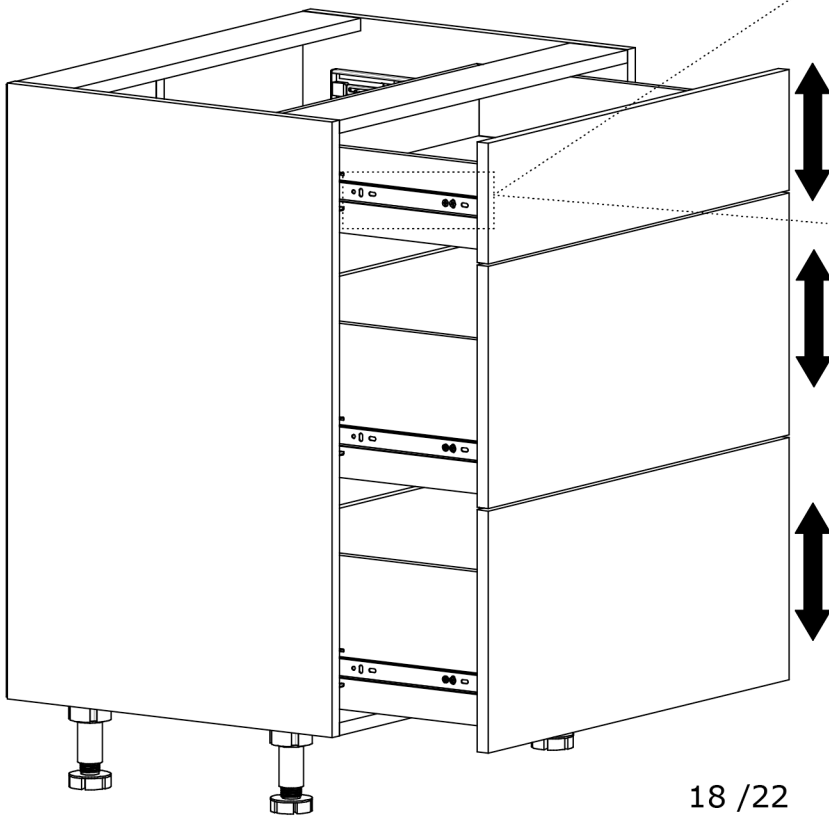
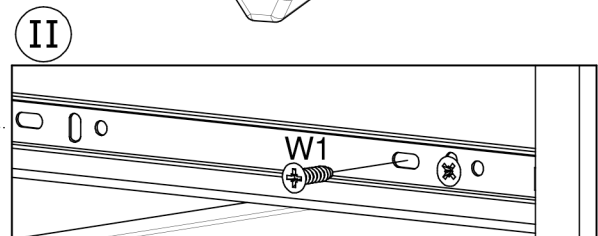
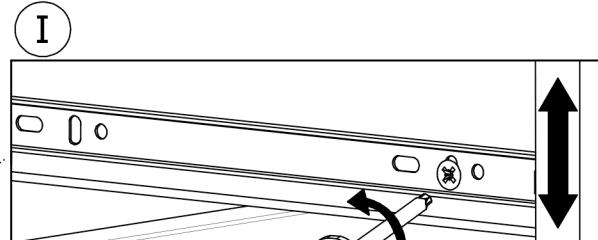
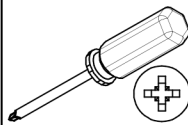


14

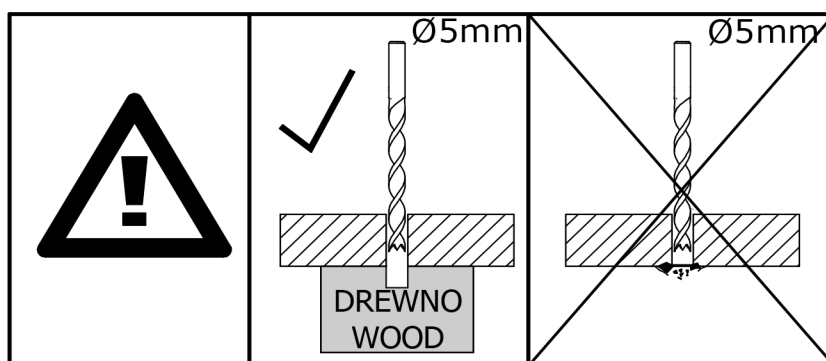
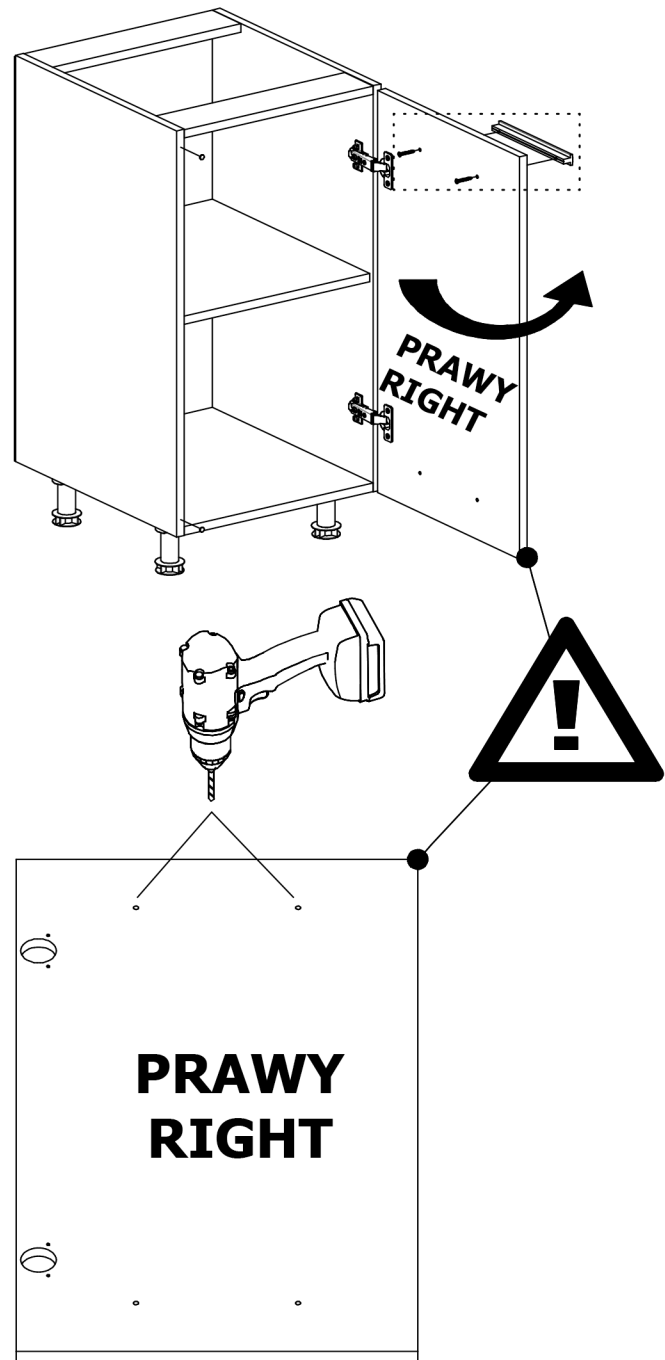
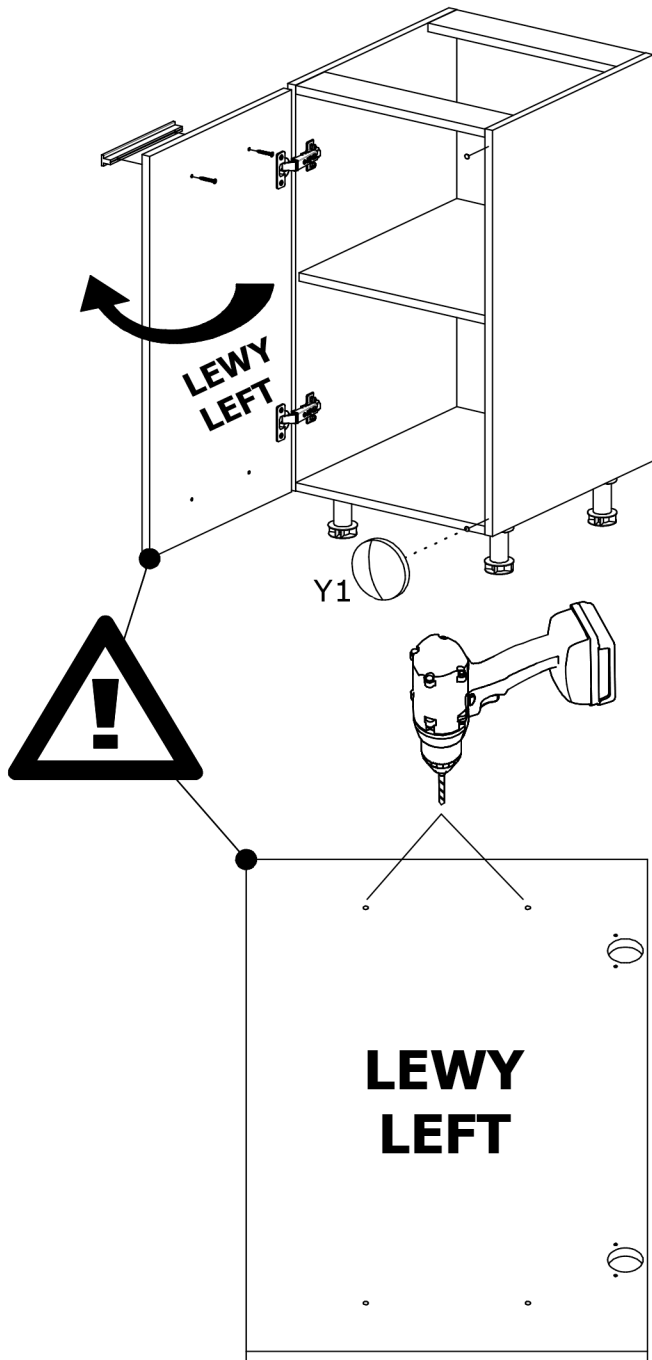
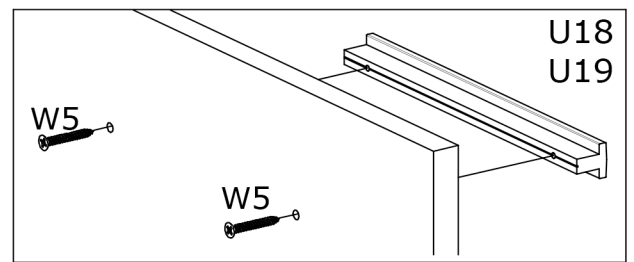
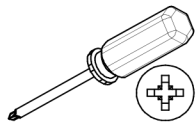
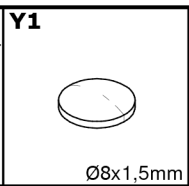
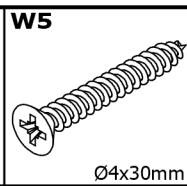
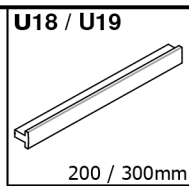
W1 x6

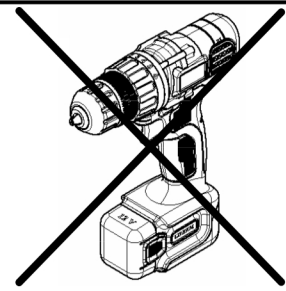
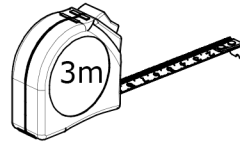
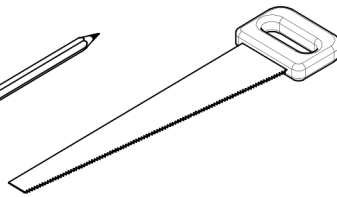
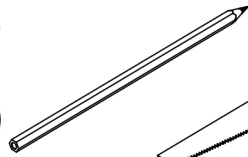
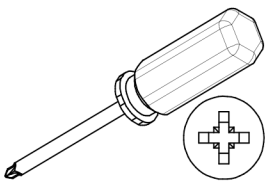


Ø3,5x13mm

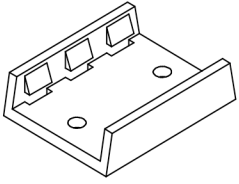


**B**



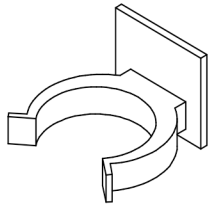


**L6-a**x8



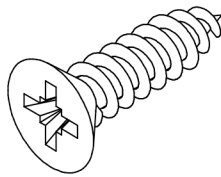
38x30x10mm

**L6-b**x8

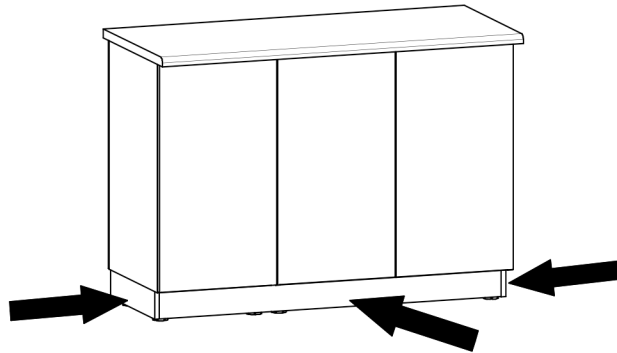
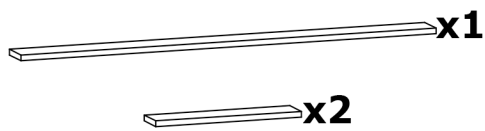


35x32x25mm

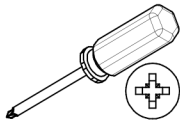
**W2**x16



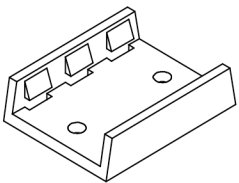
Ø3,5x16mm



**C1**

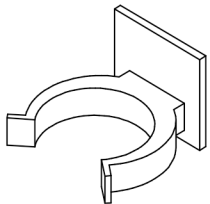


**L6-a**x4



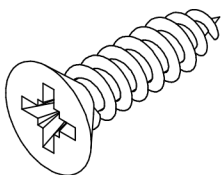
38x30x10mm

**L6-b**x4

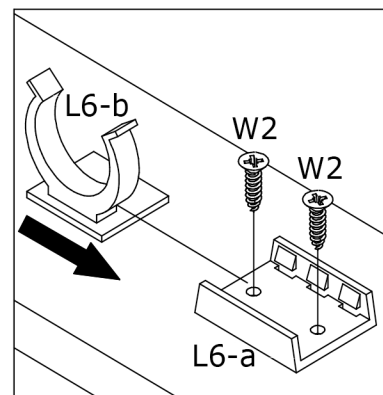
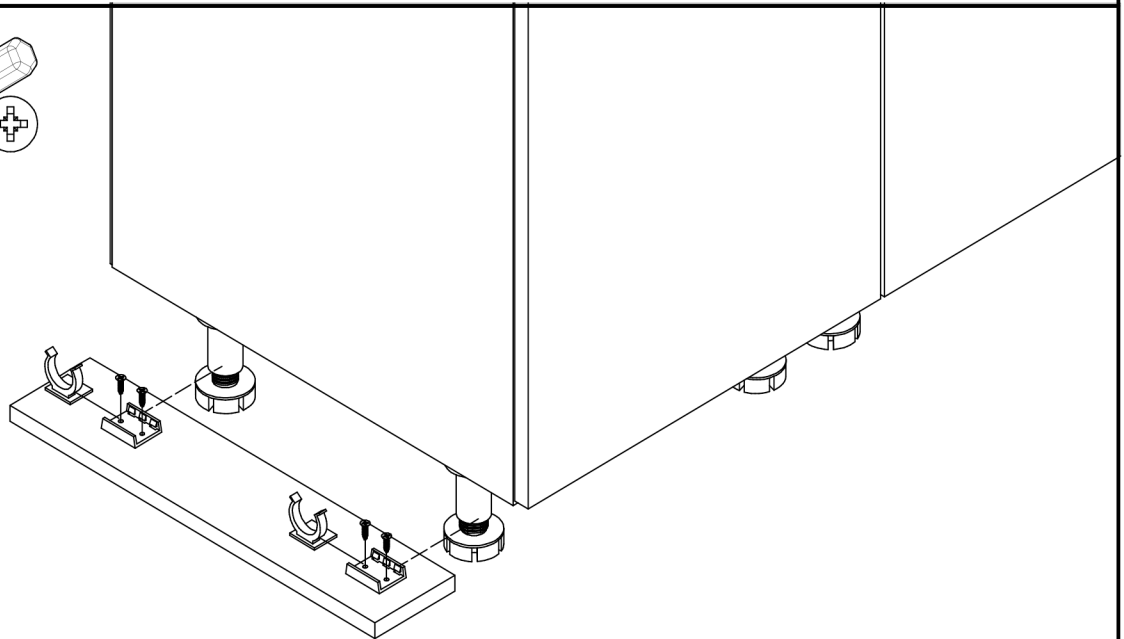


35x32x25mm

**W2**x8

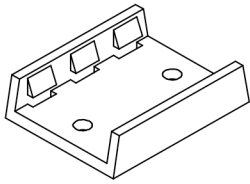


Ø3,5x16mm



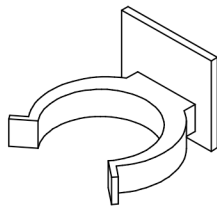
**C2**

**L6-a x4**



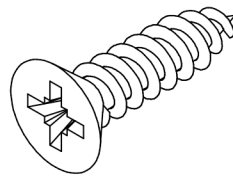
38x30x10mm

**L6-b x4**

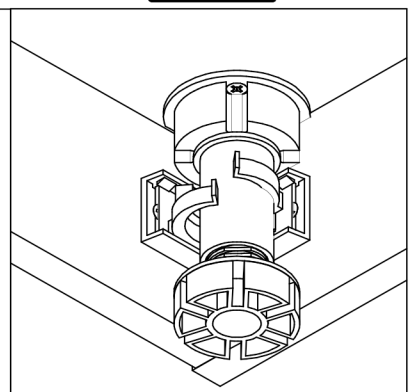
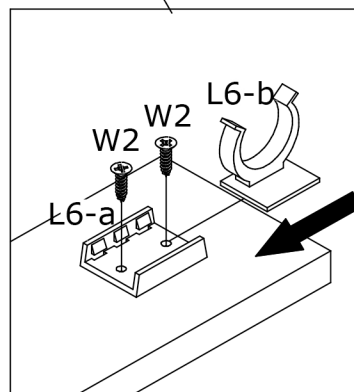
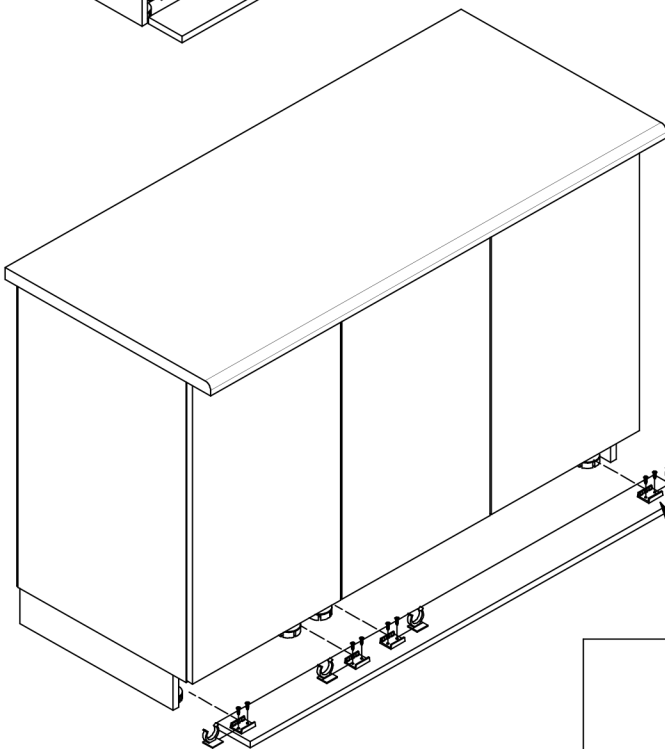
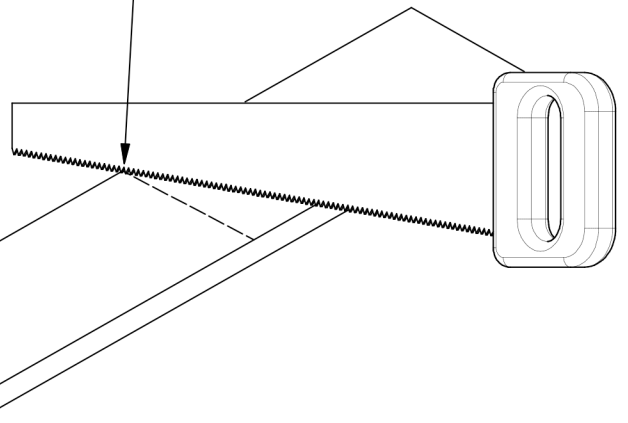
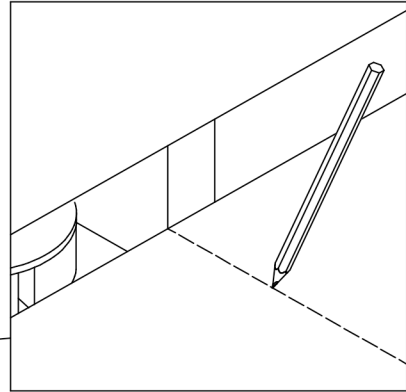
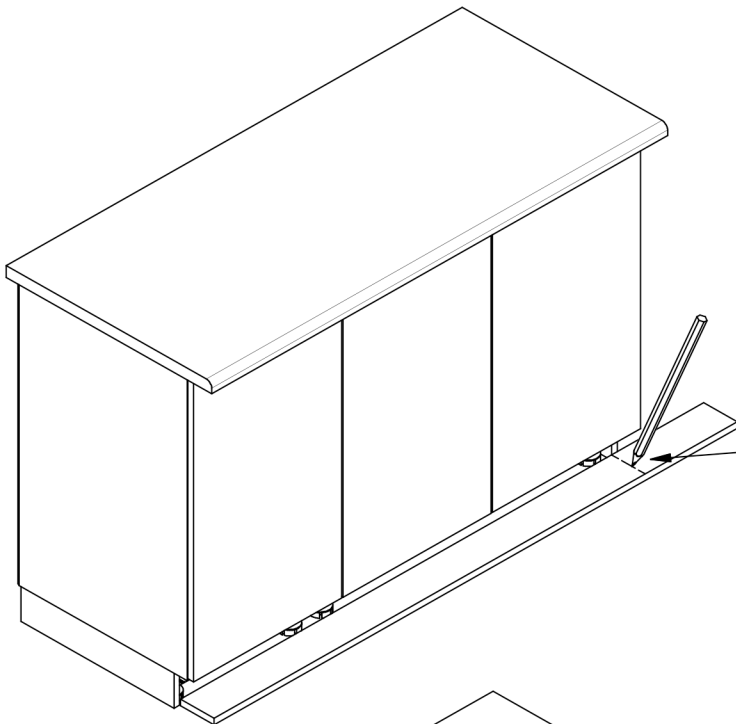
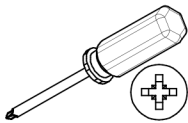


35x32x25mm

**W2 x8**



Ø3,5x16mm



**D**

