

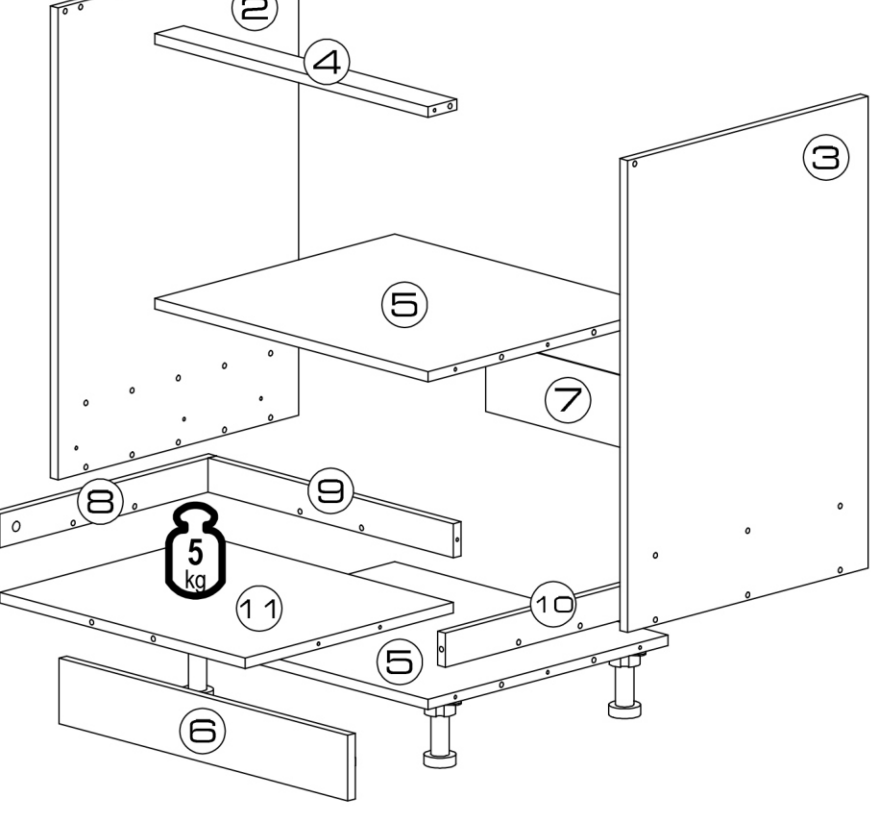
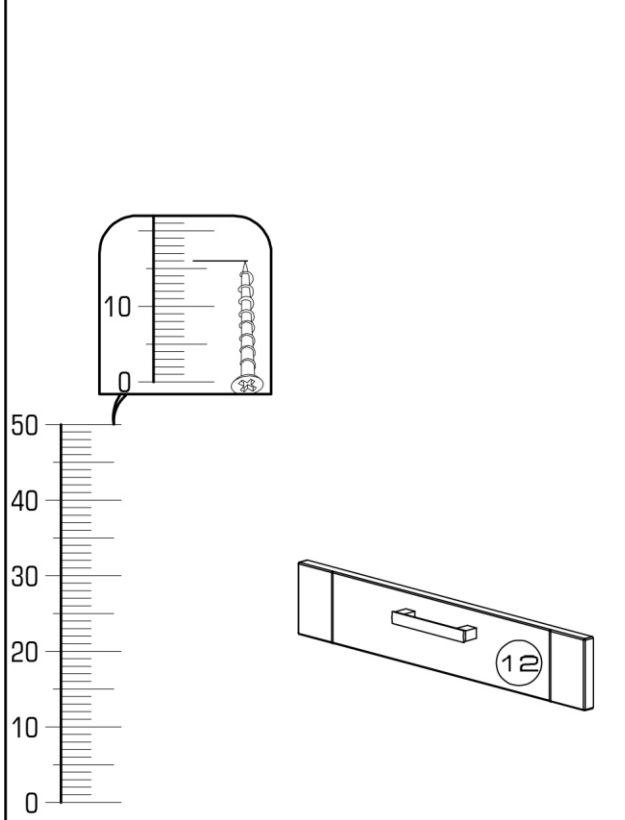
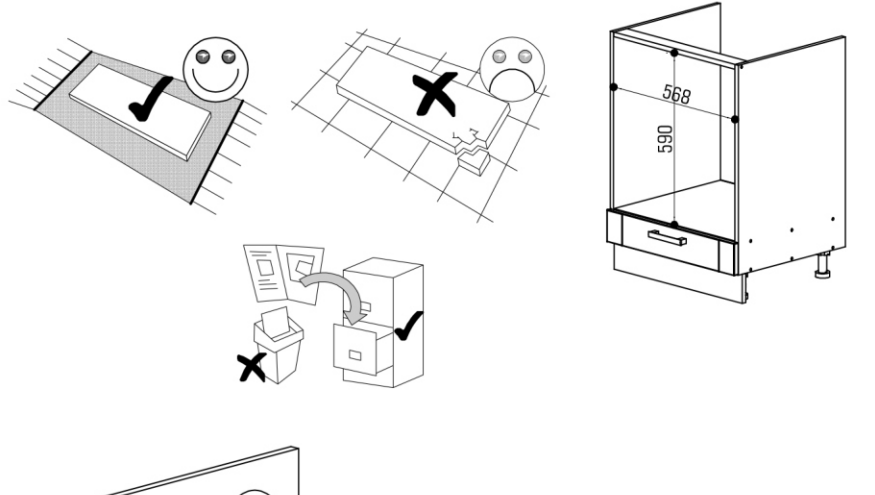
JULIA TYP 58

Art.-Nr. 272 543
272 531

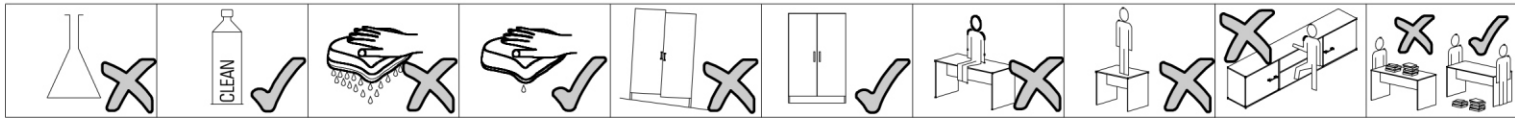
↔	600	1/6
↑	820	
↗	520	
	mm	ZO

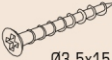
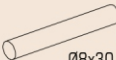


	40min		≤ 0,5 kg	3m	PZ 2	4	600 mm	Ø5mm
--	-------	--	----------	----	------	---	--------	------

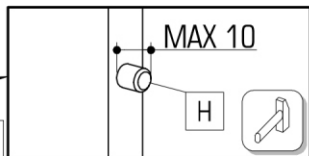
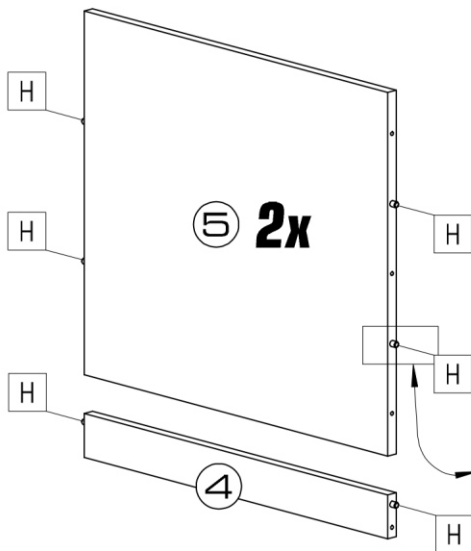
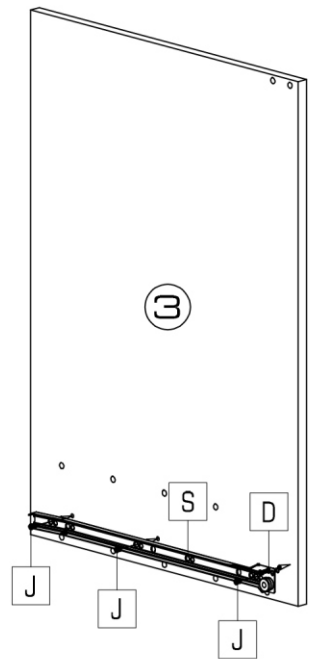
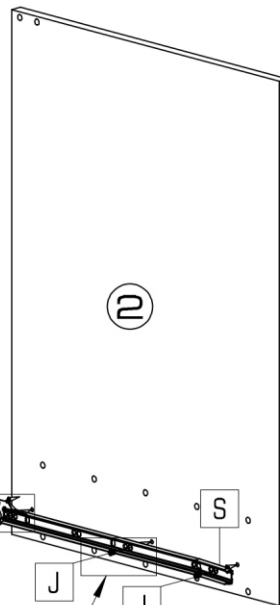
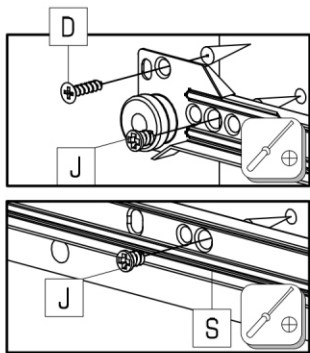
ID EE	ID			
17481	②	720*500*16	1x	1/1
17482	③	720*500*16	1x	1/1
00398	④	568*60*16	1x	1/1
17428	⑤	568*499*16	2x	1/1
00401	⑥	600*100*16	1x	1/1
05622	⑦	110*590*3	1x	1/1
17483	⑧	450*52*16	1x	1/1
17484	⑨	510*52*16	1x	1/1
17485	⑩	450*52*16	1x	1/1
17486	⑪	433*510*16	1x	1/1
17487	⑫	110*596*18	1x	1/1





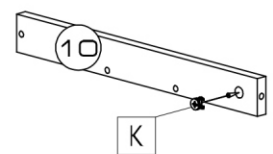
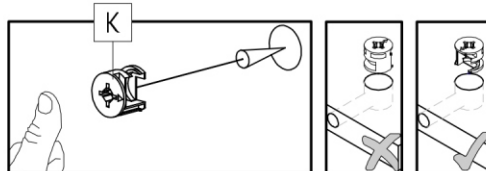
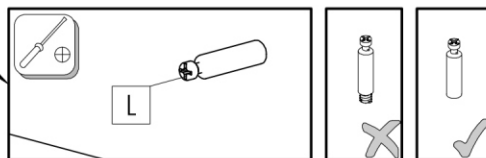
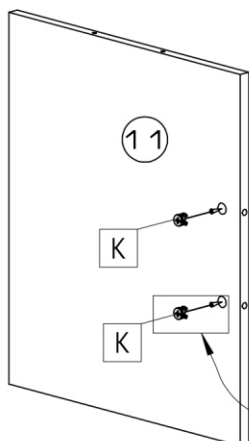
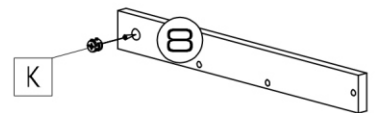
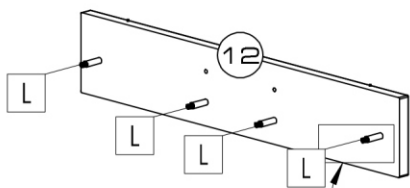
	35003.01 A 14x	21102.00 B 25x Ø1,6x20	22232.00 C 16x Ø4,0x16	22243.00 D 16x Ø3,5x15	22244.01 E 4x Ø3,5x16	22300.00 F 22x Ø7x50	22800.01 G 1x	27000.00 H 10x Ø8x30	22705.00 J 6x Ø6,8x8
	70013.01 K 4x Ø15x13	70021.01 L 4x	50552.00 M 4x	60035.00 N 2x	60025.05 P 4x v=100	32020.00 Q 1x	34902.00 R 2x	33004.00 S 1x L=450mm	33004.00 T 1x L=450mm

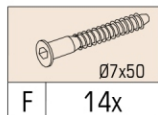


			
Ø3,5x15	Ø8x30	Ø6,8x8	L=450mm
D 2x	H 10x	J 6x	S 1x

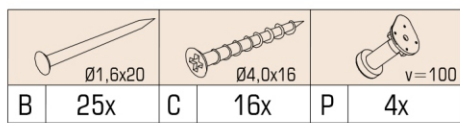
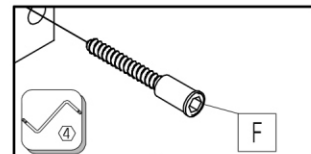
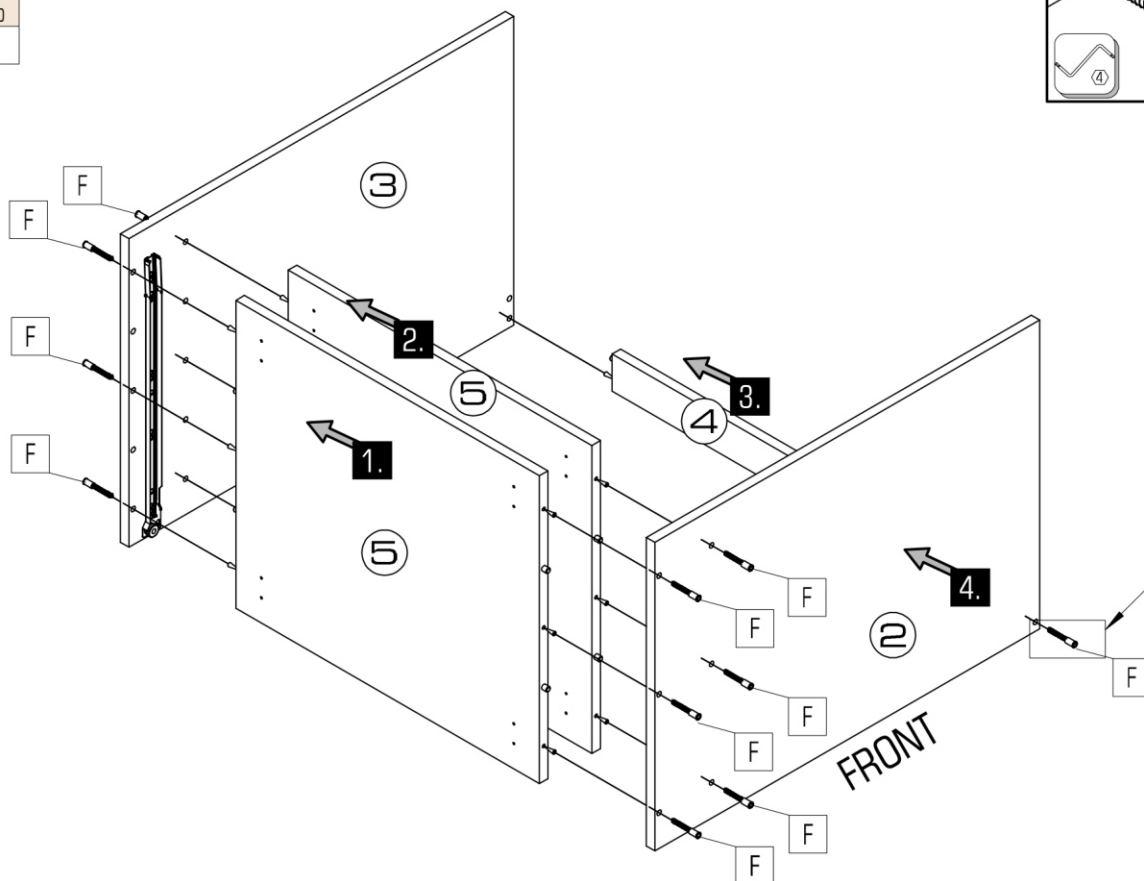


	
Ø15x13	
K 4x	L 4x

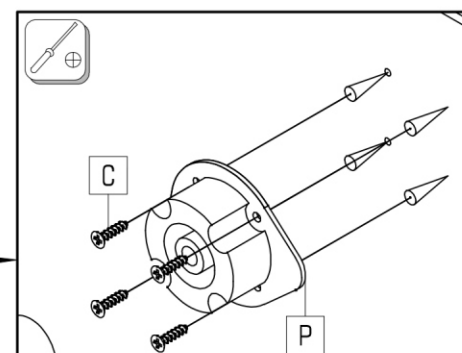
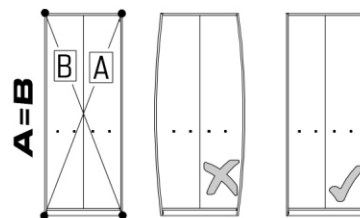
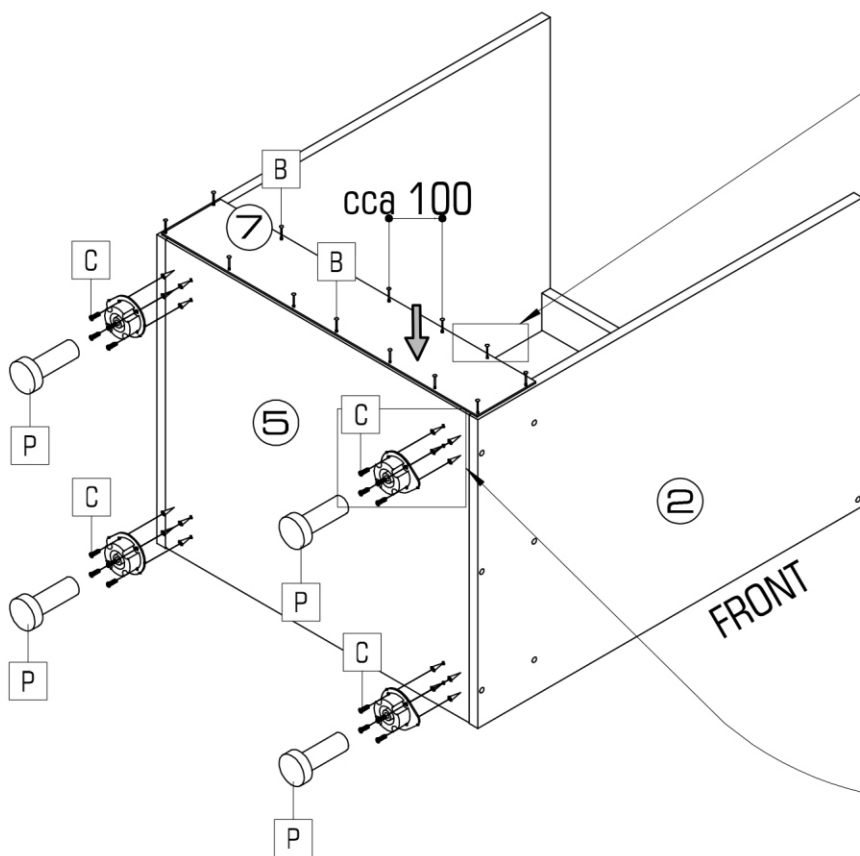
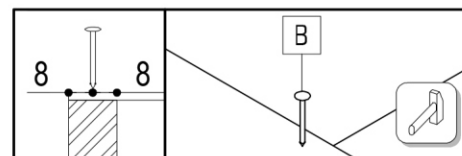


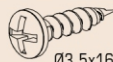



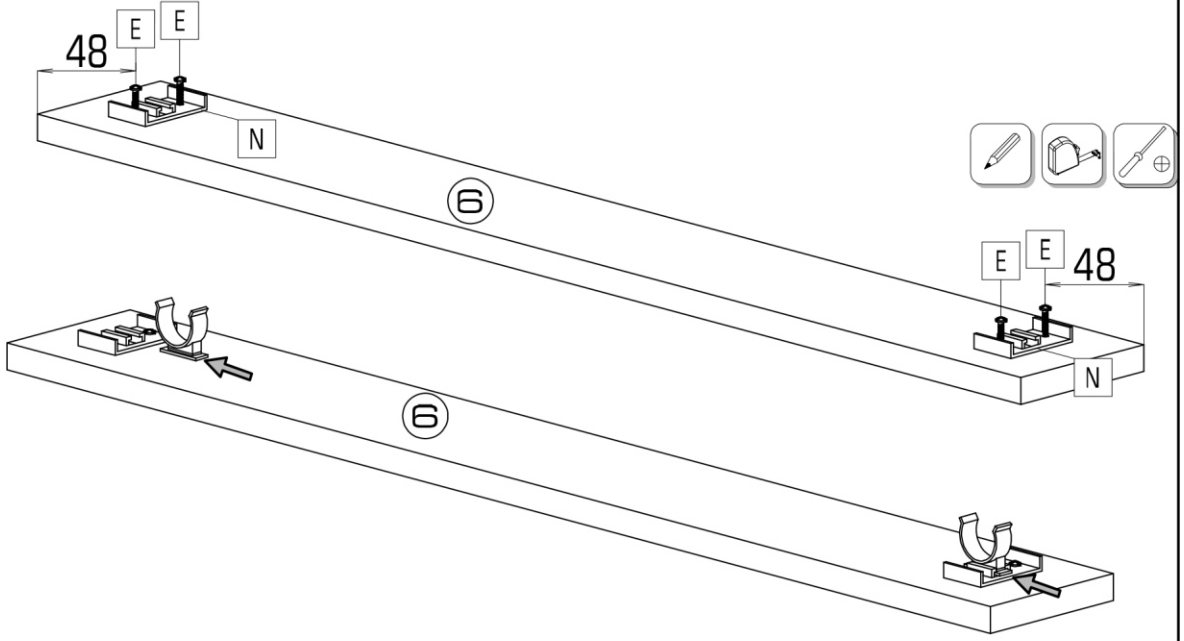
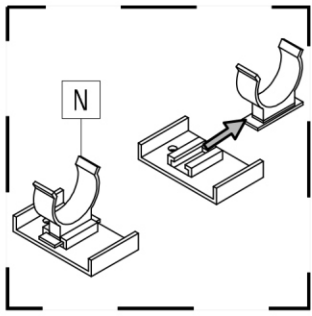
F 14x





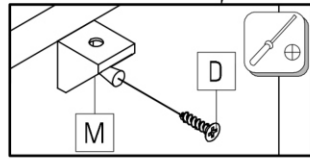
B 25x C 16x P 4x



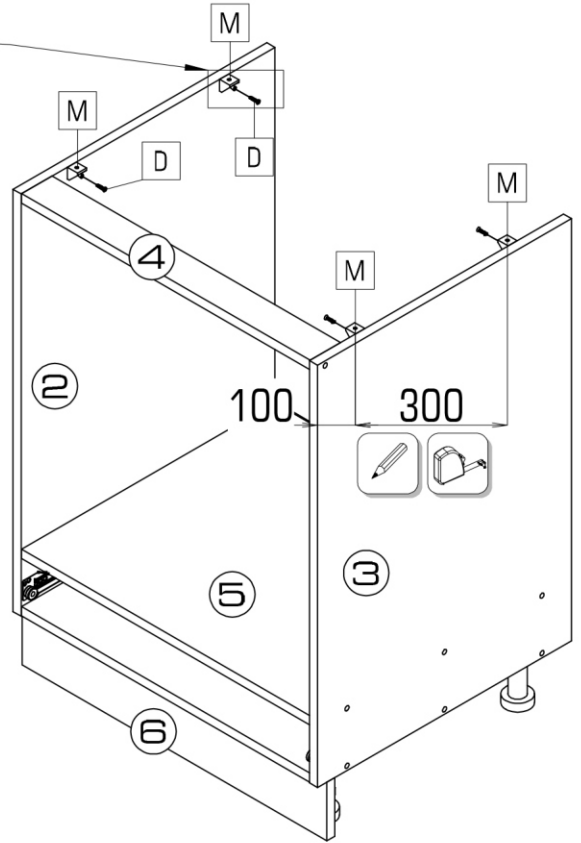
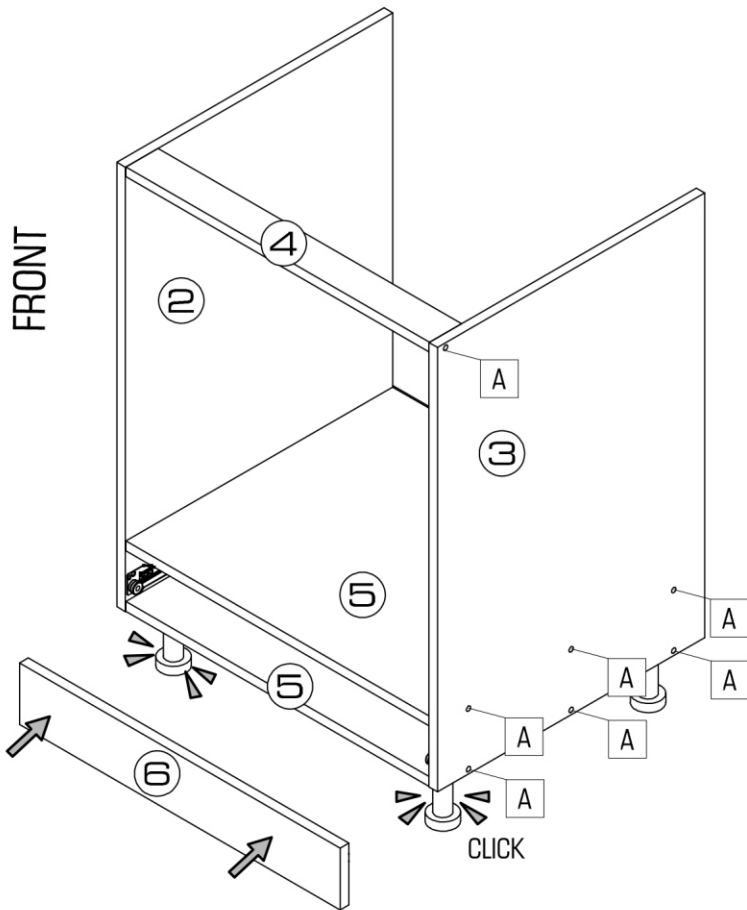
	$\varnothing 3,5 \times 16$	
E	4x	N
		2x

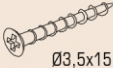


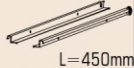


	$\varnothing 3,5 \times 15$	
A	12x	D
		4x
		M
		4x



FRONT



			
Ø3,5x15	Ø7x50		L=450mm
D 6x	F 8x	R 2x	T 1x

