

# JULIA TYP 56

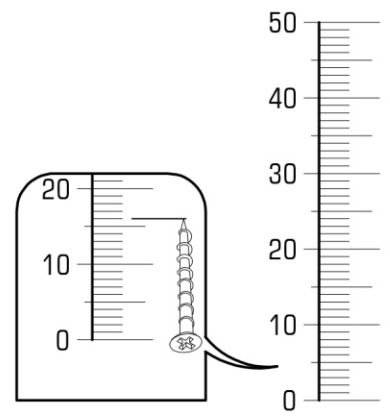
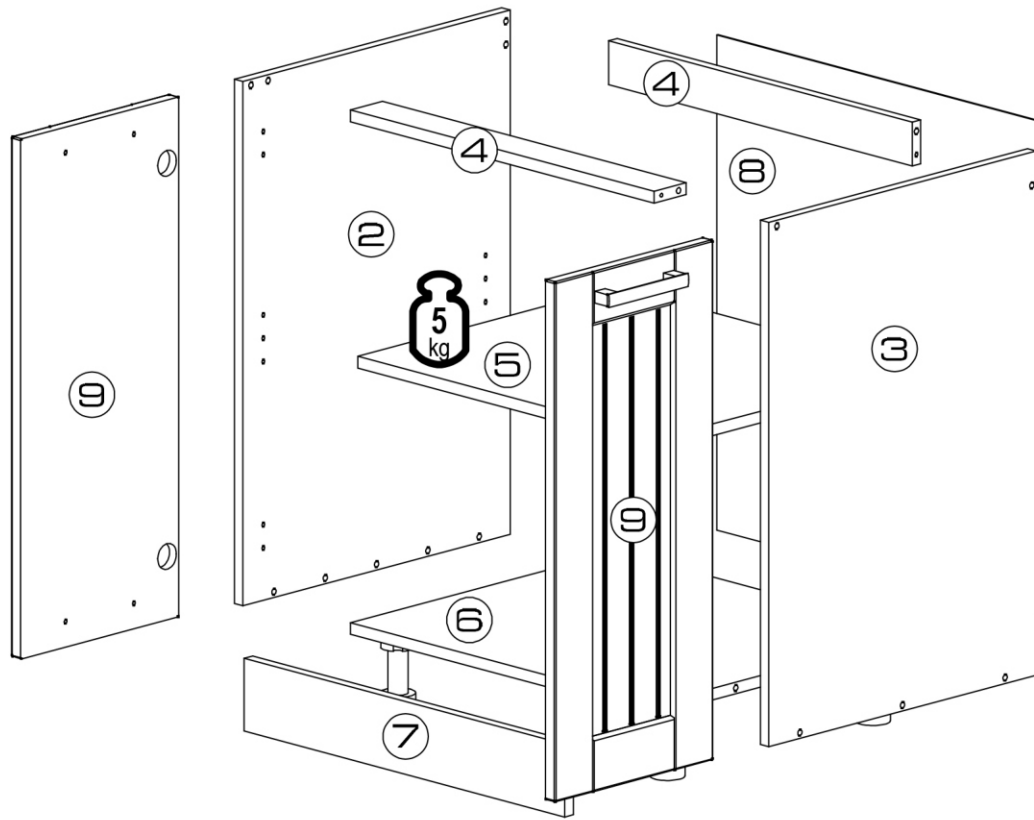
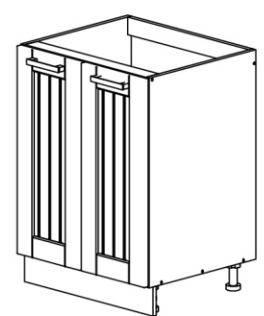
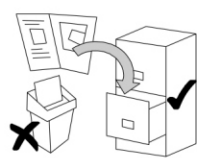
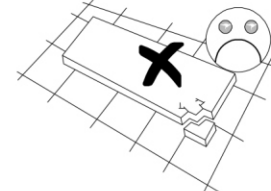
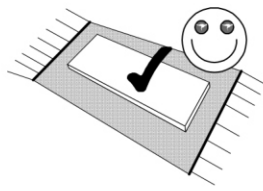
Art.-Nr.  
272 541  
272 529

600  
820  
520  
mm

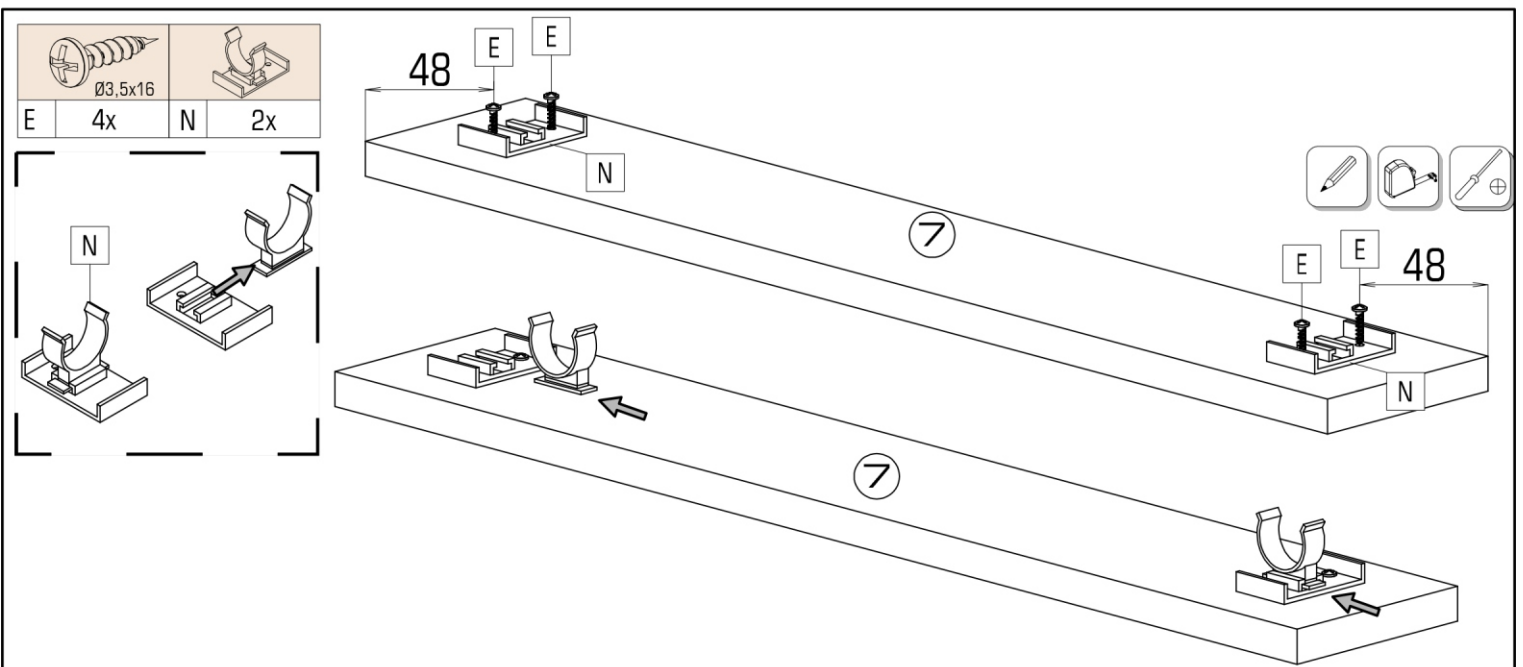
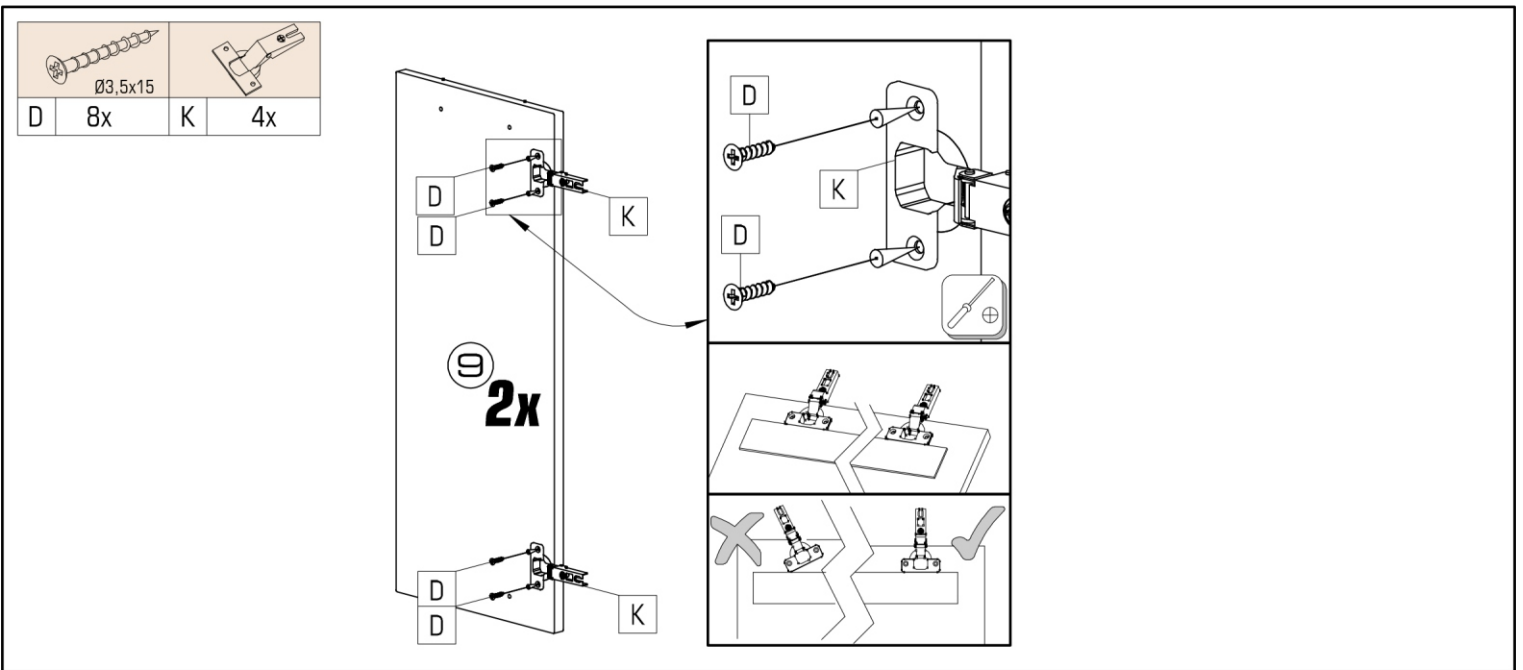
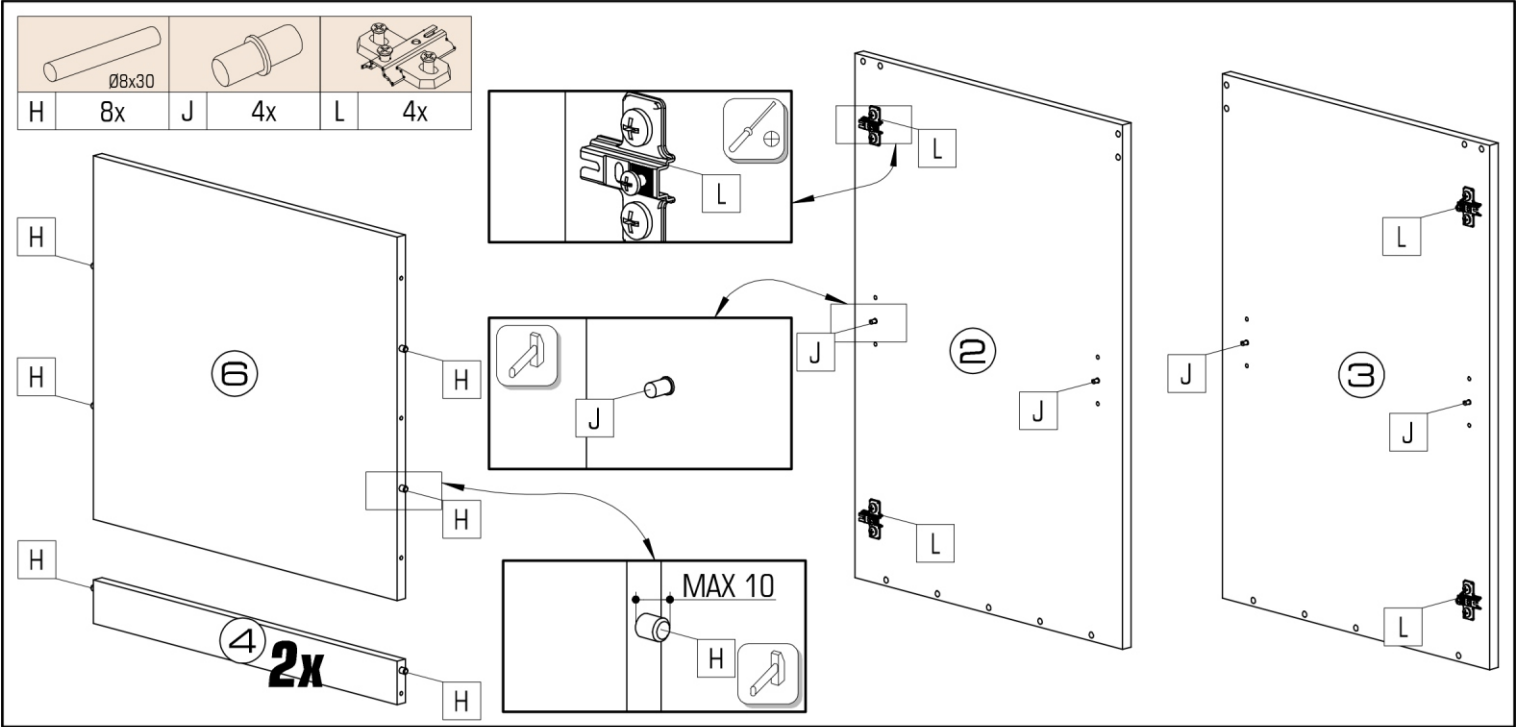
1/6  
ZO

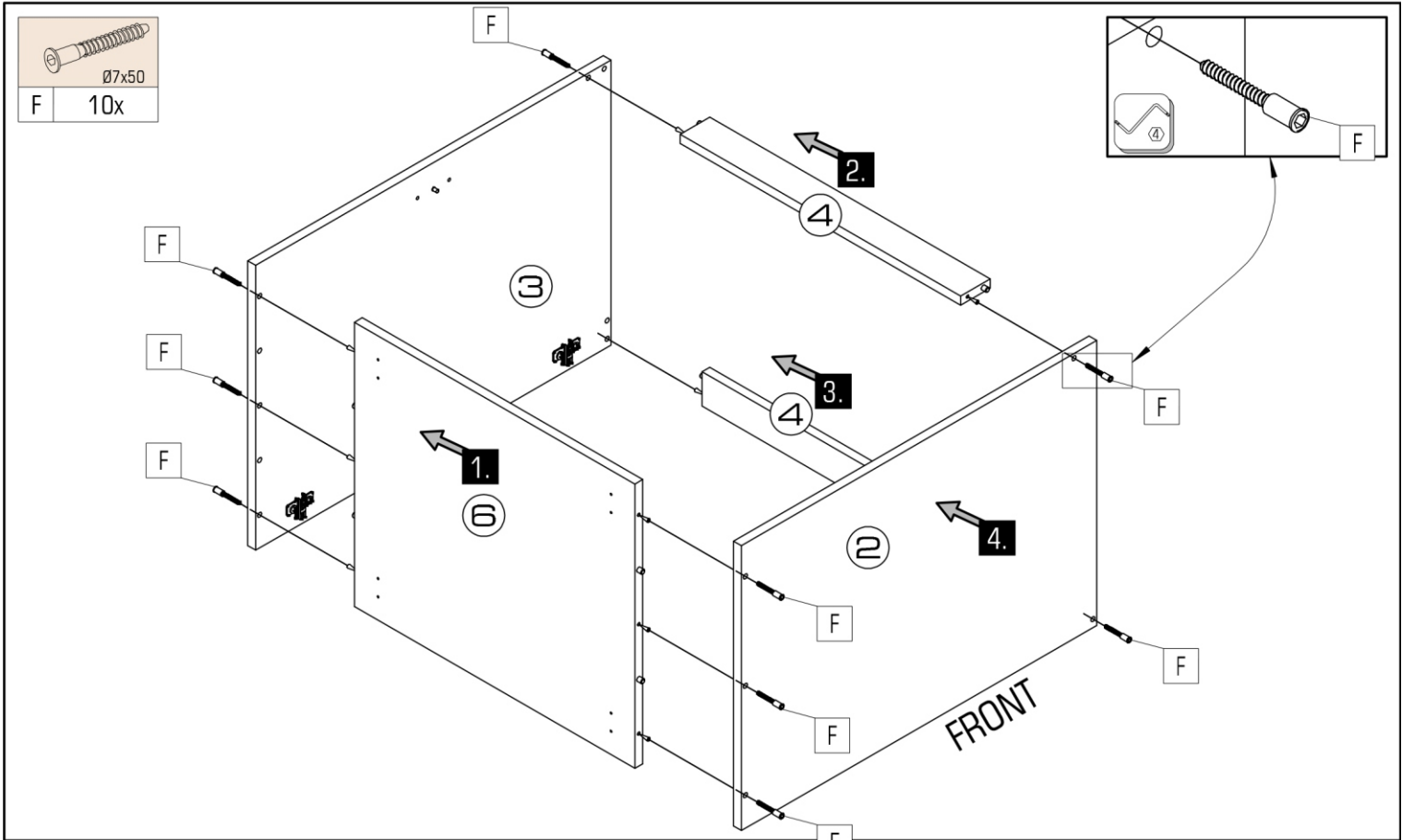
40min  
 ≤ 0,5 kg  
 3m  
 PZ 2  
 4  
 600 mm  
 Ø5mm


ID	ID			
17410	②	720*500*16	1x	1/1
17411	③	720*500*16	1x	1/1
00398	④	568*60*16	2x	1/1
17427	⑤	568*485*16	1x	1/1
17428	⑥	568*499*16	1x	1/1
00401	⑦	600*100*16	1x	1/1
05255	⑧	680*595*3	1x	1/1
17318	⑨	714*296*18	2x	1/1

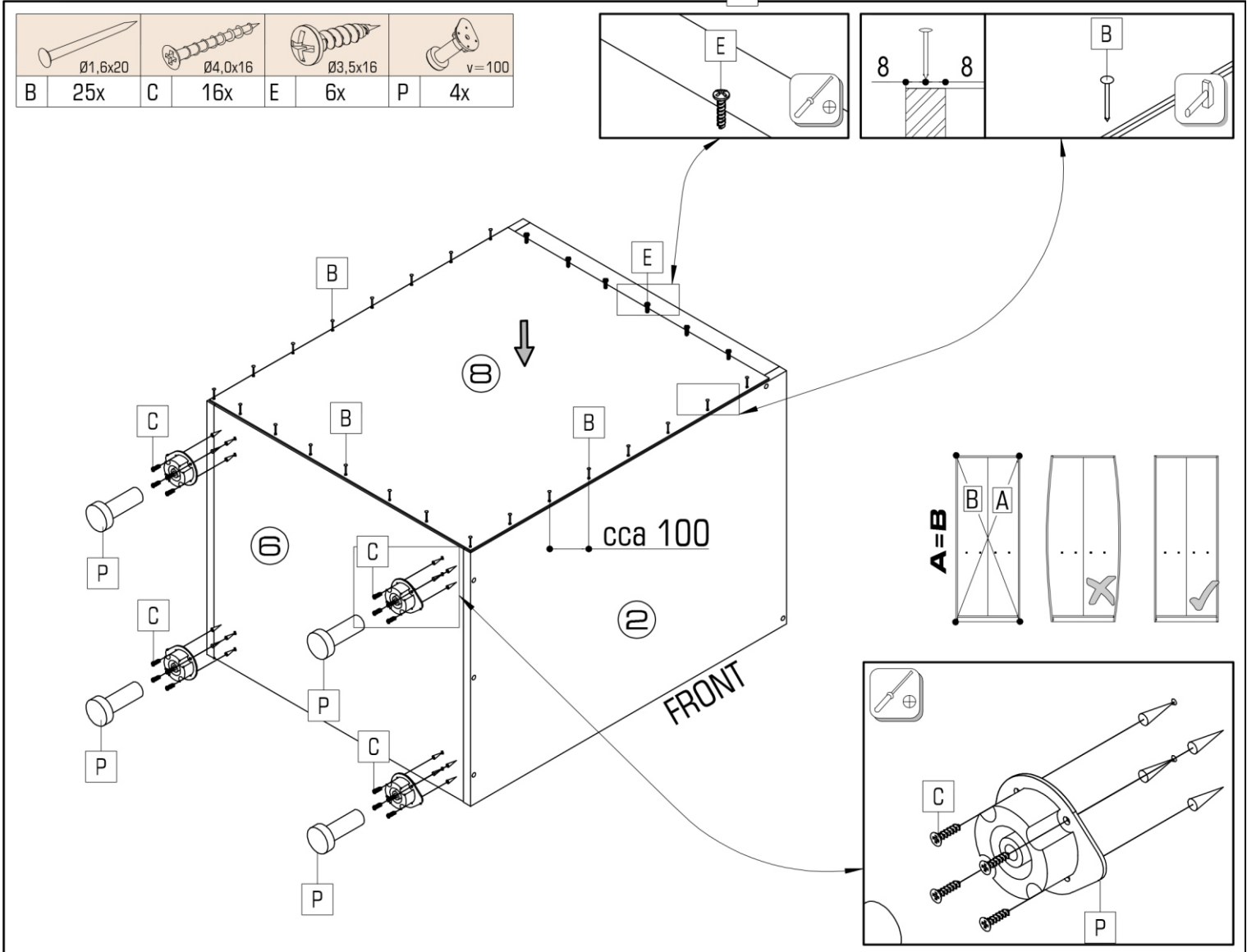
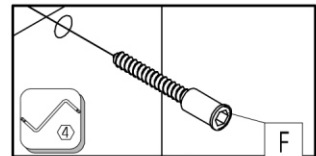






	35003.01 A 10x		21102.00 B 25x Ø1,6x20		22232.00 C 16x Ø4,0x16		22243.00 D 16x Ø3,5x15		22244.01 E 10x Ø3,5x16		22300.00 F 10x Ø7x50		22800.01 G 1x 4		27000.00 H 8x Ø8x30
	35101.01 J 4x		36002.07 K 4x		36002.07 L 4x		50552.00 M 4x		60035.00 N 2x		60025.05 P 4x v=100		32020.00 Q 2x		

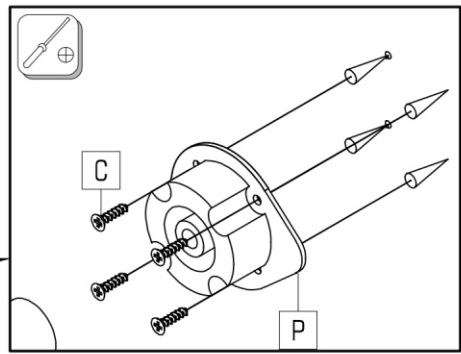
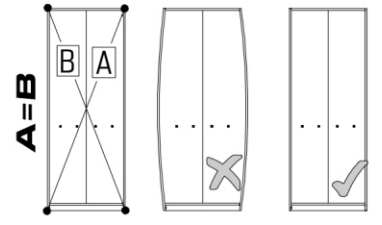
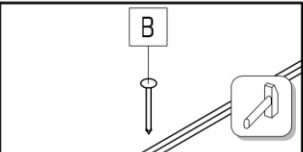
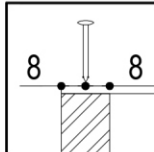
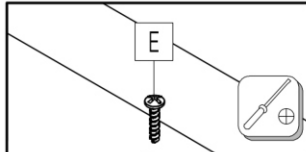





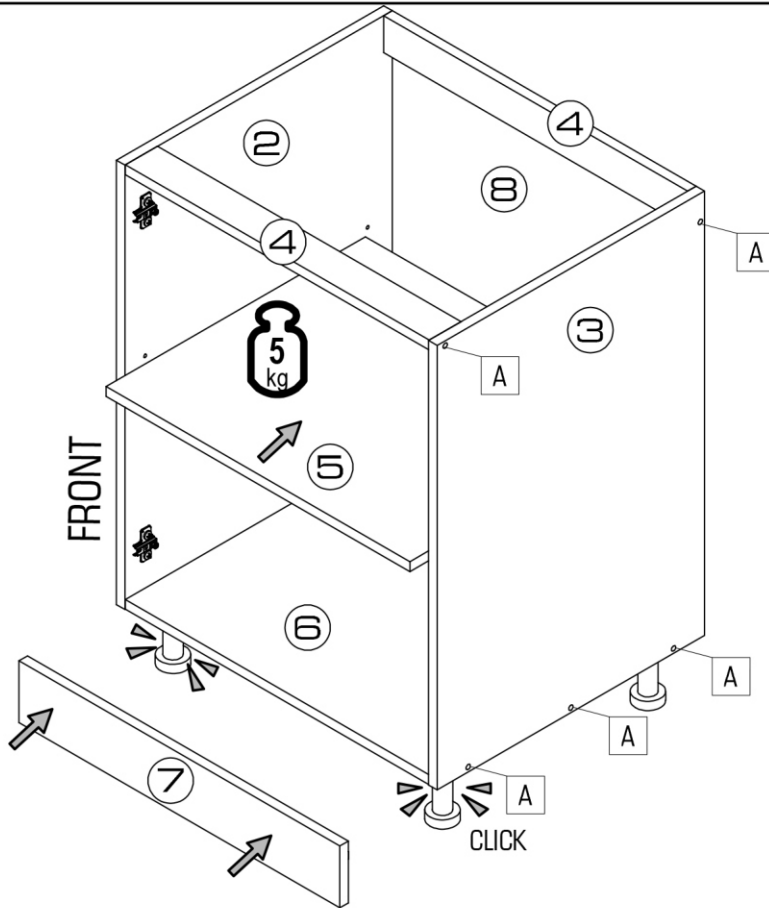
	Ø7x50
F	10x

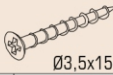



			
Ø1,6x20	Ø4,0x16	Ø3,5x16	v=100
B	25x	C	16x
E	6x	P	4x




A 10x



	
Ø3,5x15	
D 4x	M 4x

