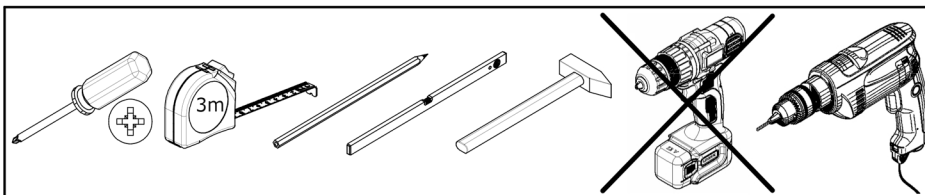
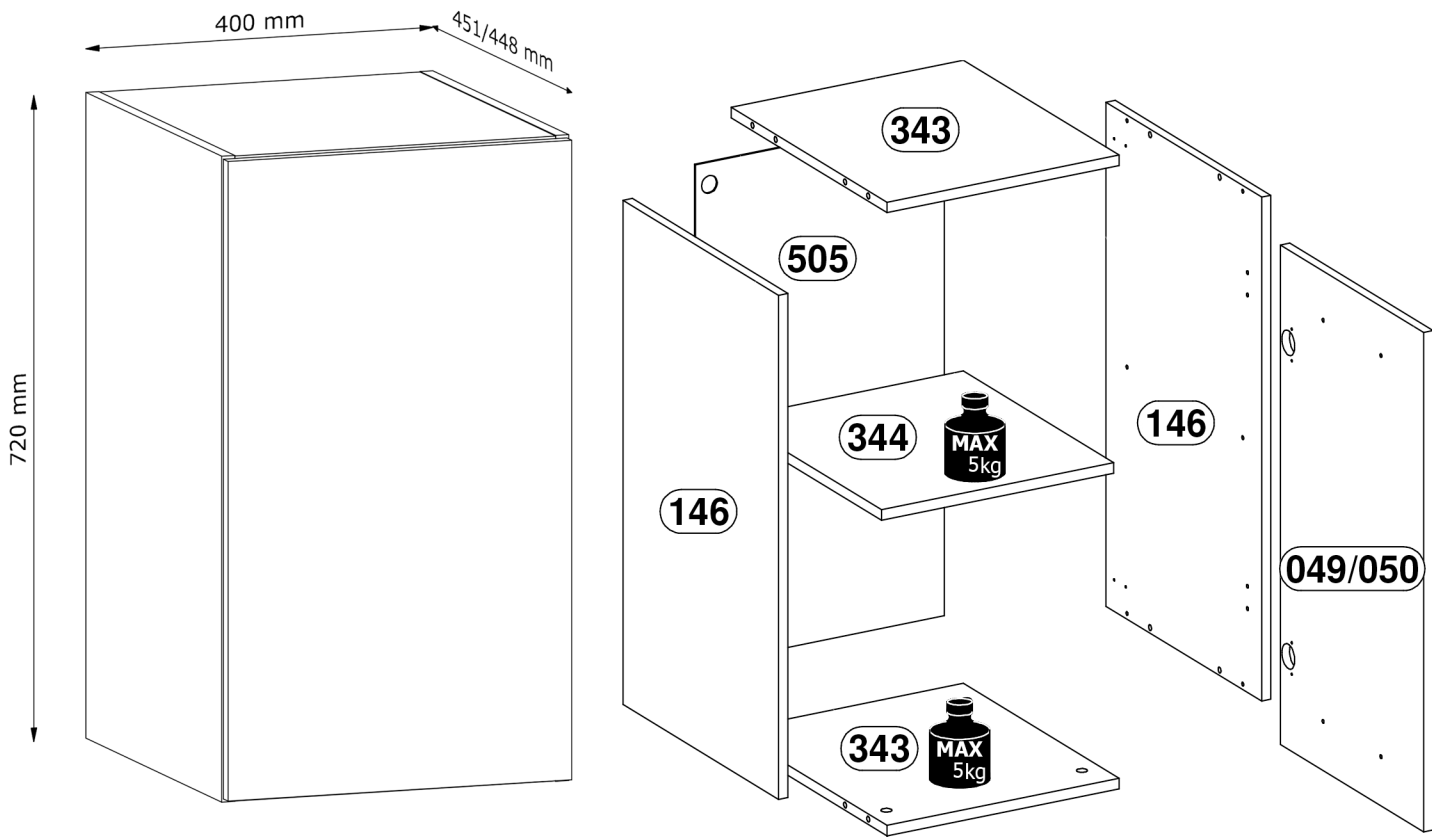
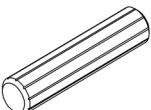
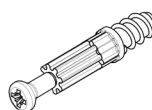

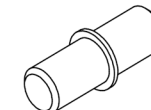
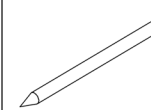
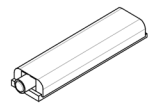
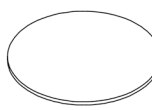
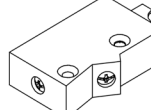
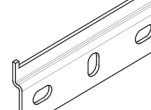
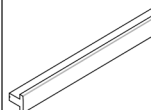
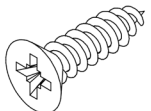
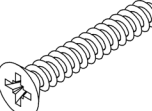

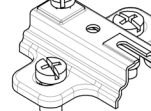
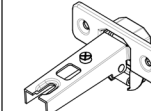
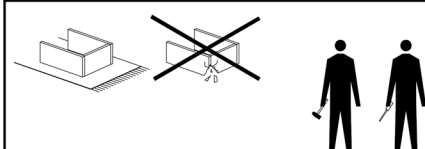


LANGEN

G40G



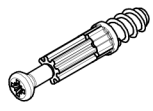
A1 x8  Ø8x35mm	B1 x8  Ø5x38mm	C1 x8  Ø15x12mm	E1 x4  Ø5x16mm	G1 x22  26mm
I20 x1  83x21x11mm	J10 x 8  Ø21mm	O1 x 2  70x39x18mm	O5 x2  76x32x6mm	U18 x 1  200mm
W2 x6  Ø3,5x16mm	W5 x6  Ø4x30mm	Y1 x 2  Ø8x1,5mm	Z1 x 2  50x40, H=2	Z3 x 2  Ø35, ZK0



No.	L[mm]	W[mm]	H[mm]	PCS	BOX
049/050	713	396	15/18	1	2/2
146	720	430	15	2	1/2
343	430	370	15	2	1/2
344	415	370	15	1	1/2
505	716	397	2,5	1	1/2

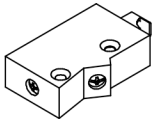
1

B1 x8



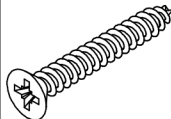
Ø5x38mm

O1 x2

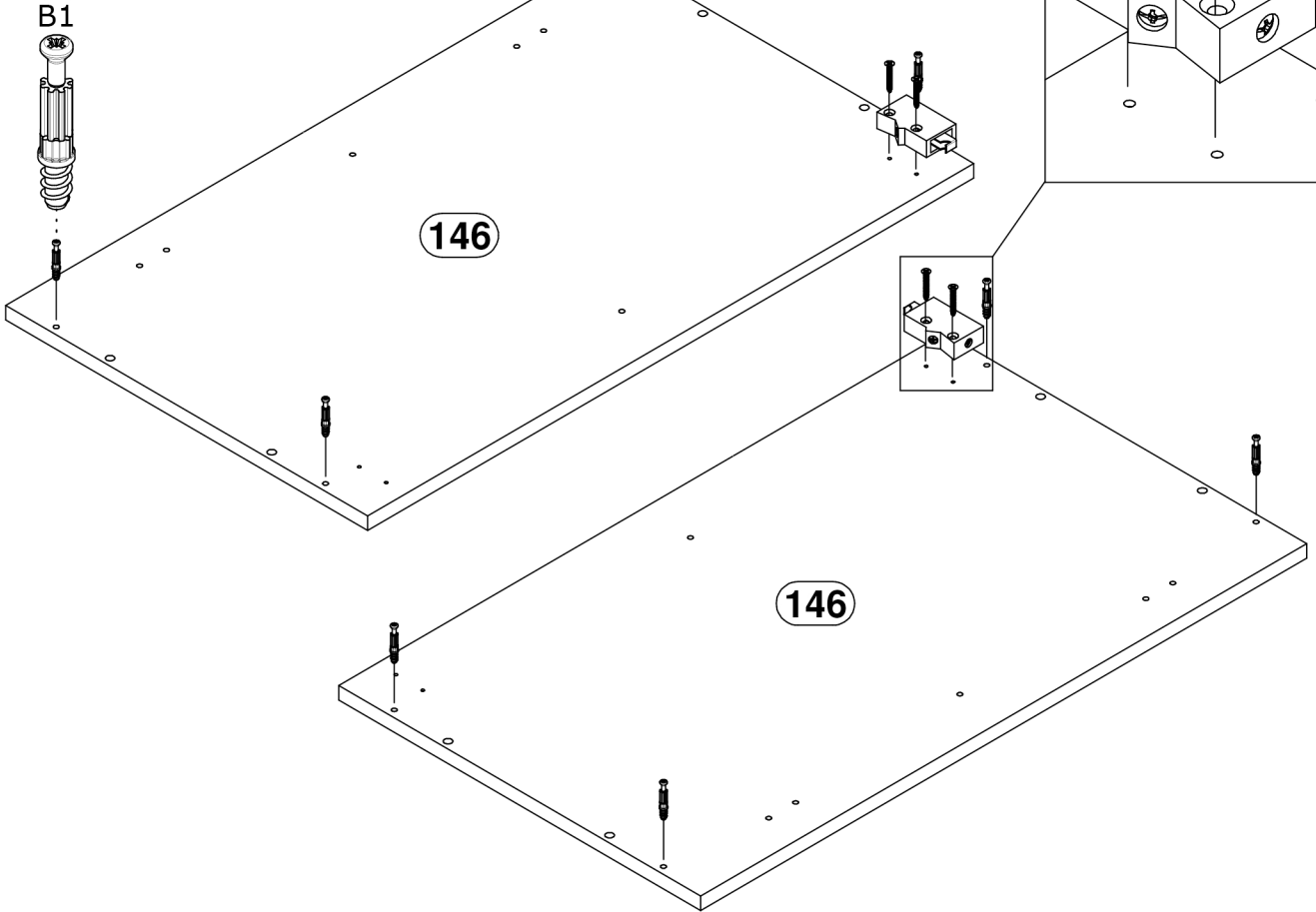
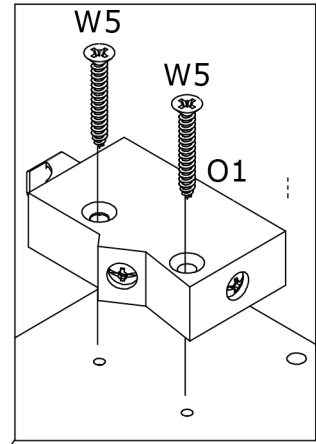
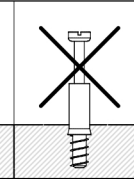
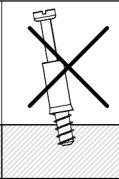
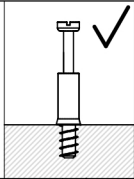
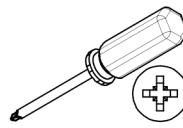


70x39x18mm

W5 x4

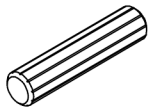


Ø4x30mm



2

A1 x8

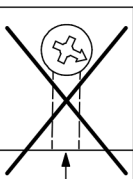
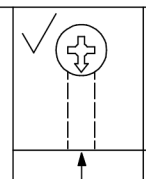
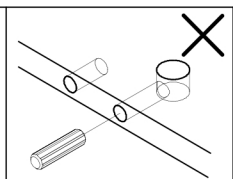
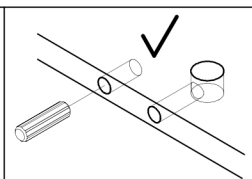
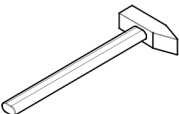
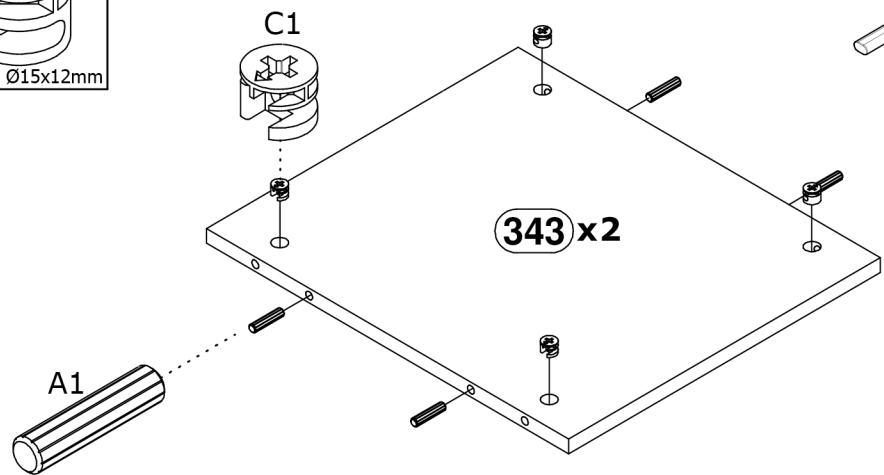


Ø8x35mm

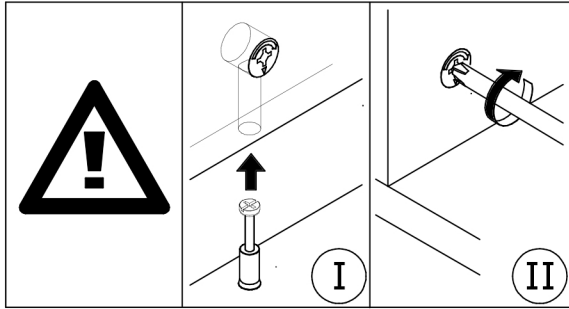
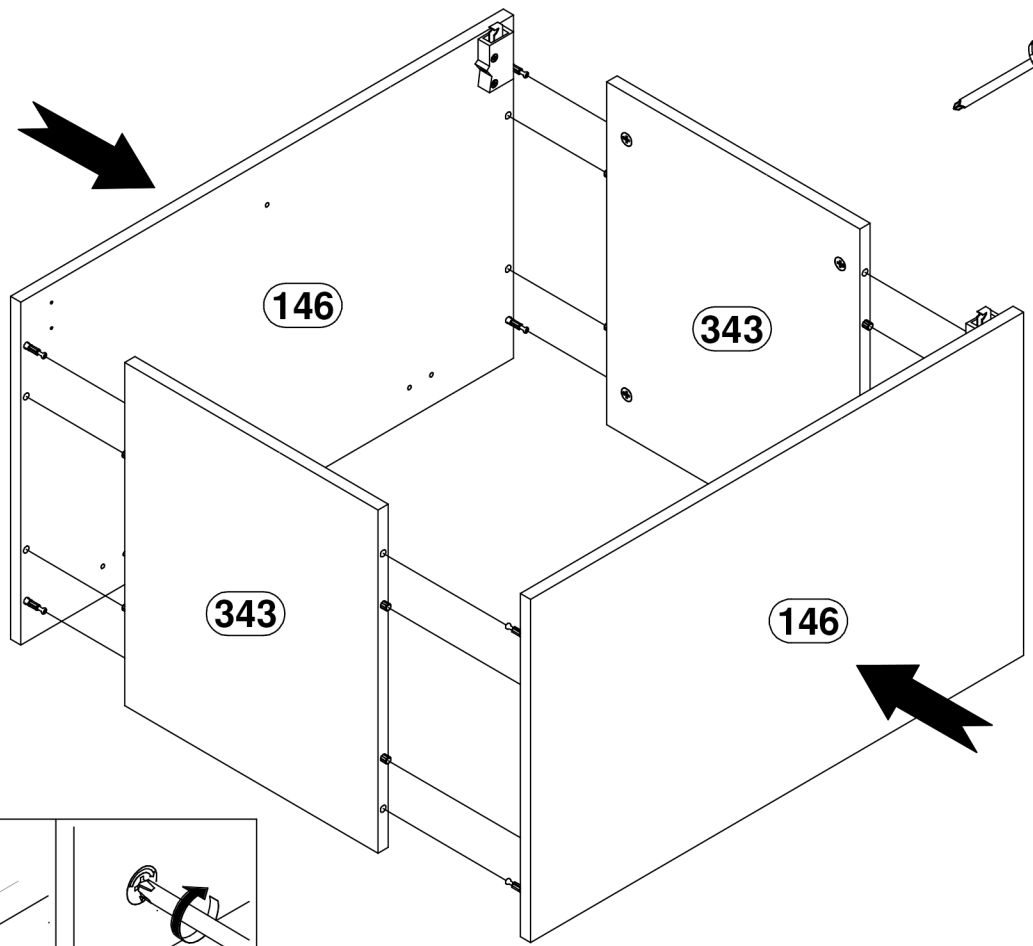
C1 x8



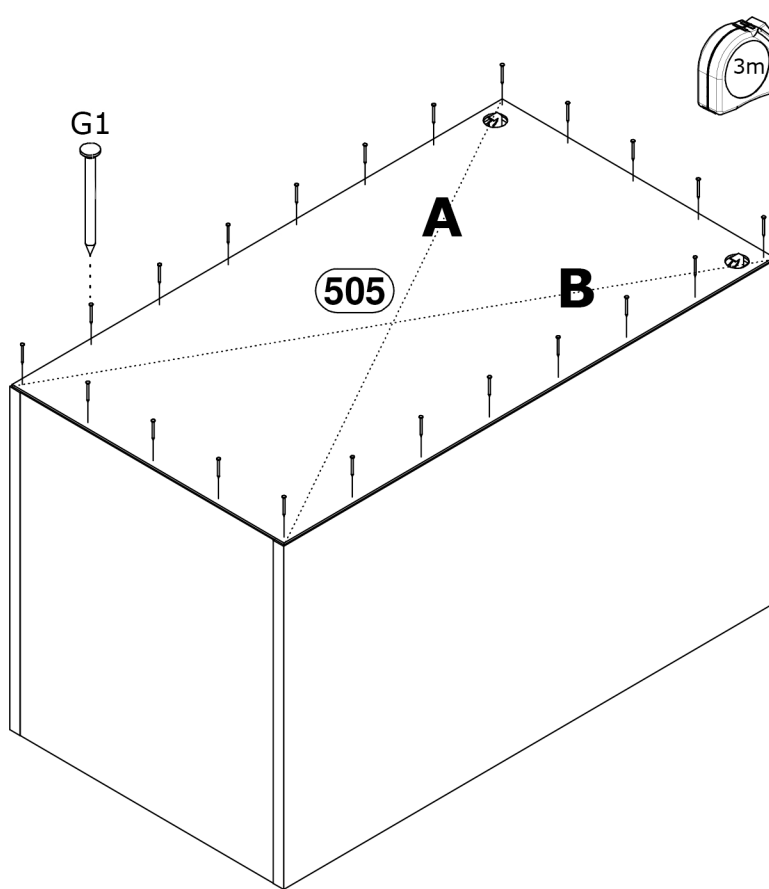
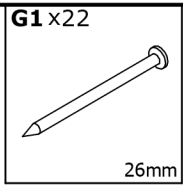
Ø15x12mm



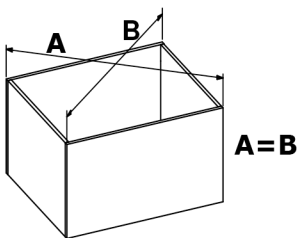
3



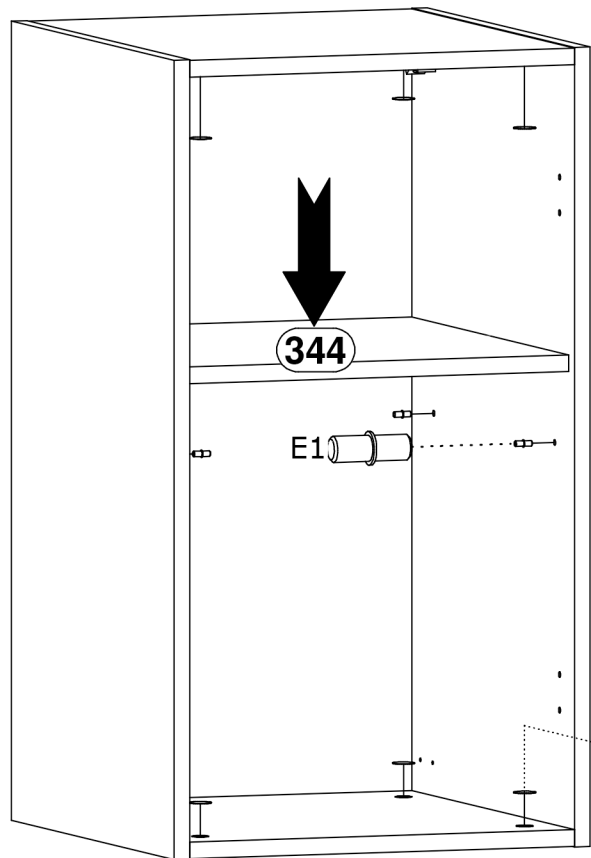
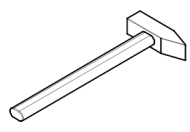
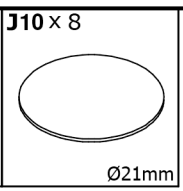
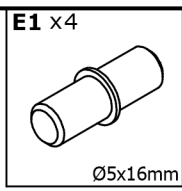
4



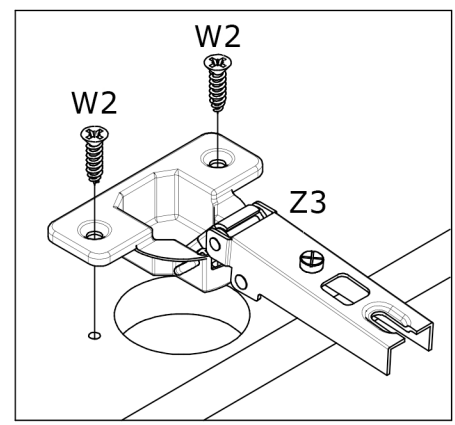
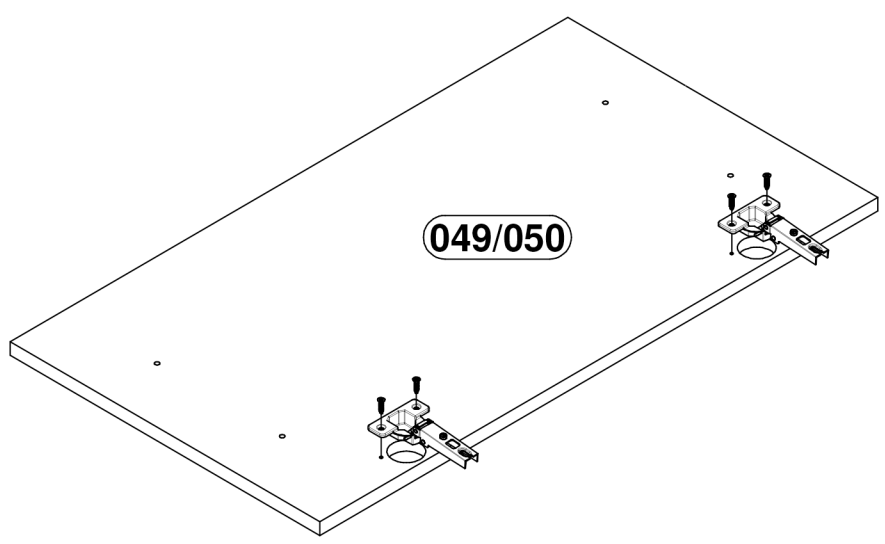
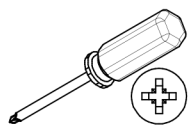
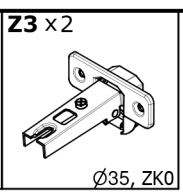
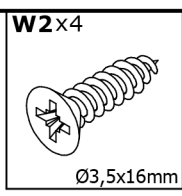
$A=B \equiv 90^\circ$



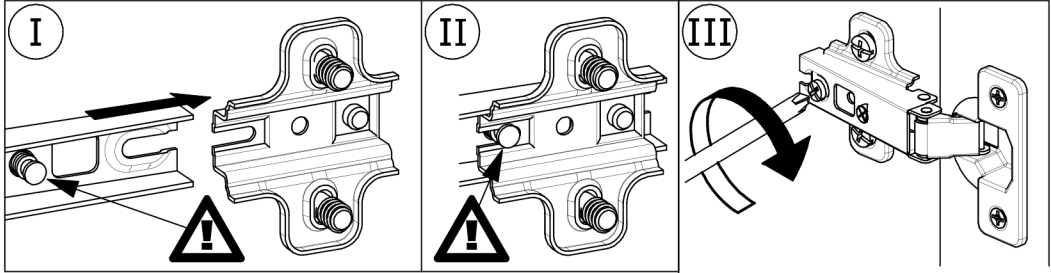
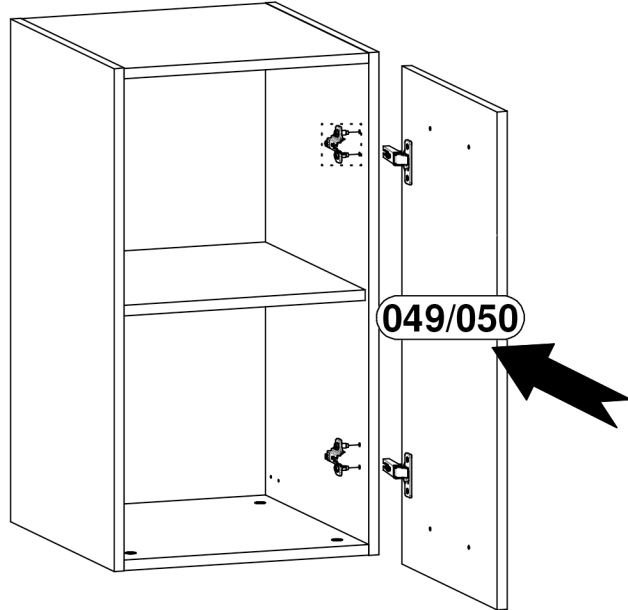
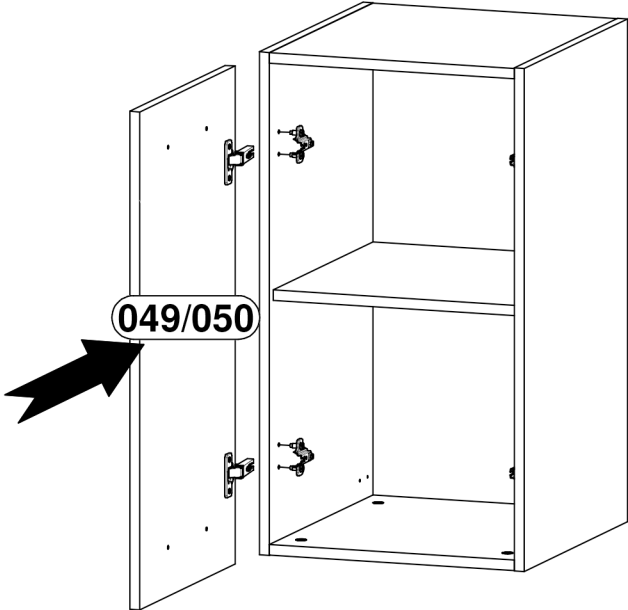
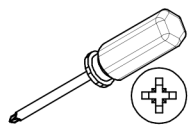
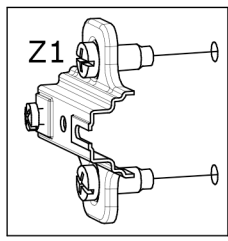
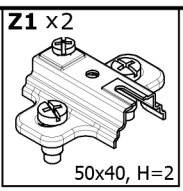
5



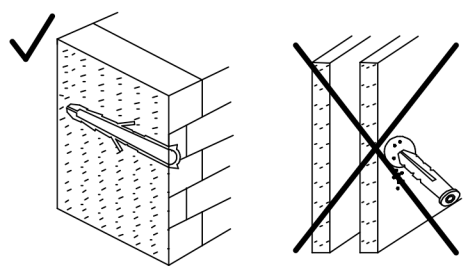
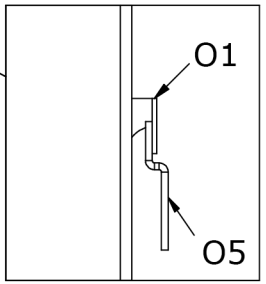
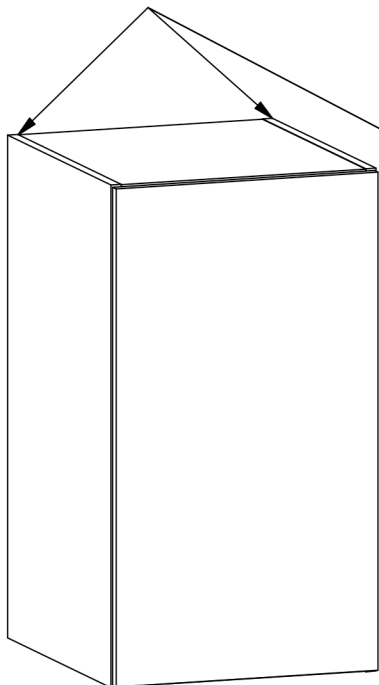
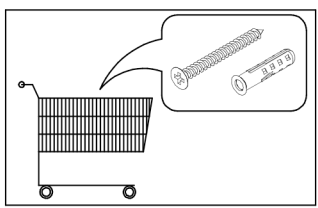
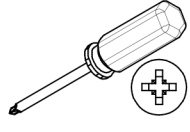
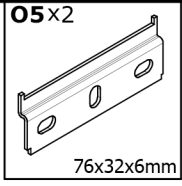
6



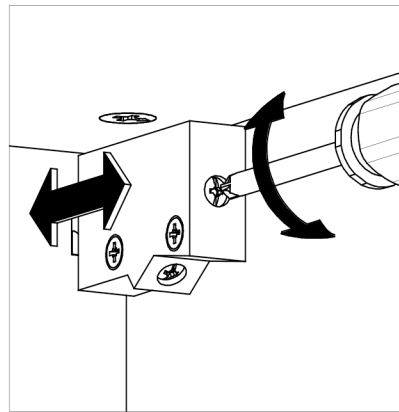
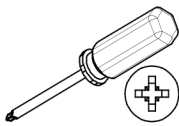
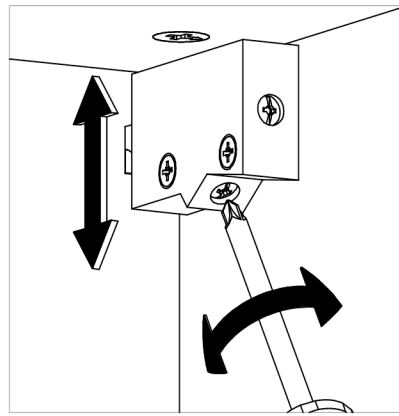
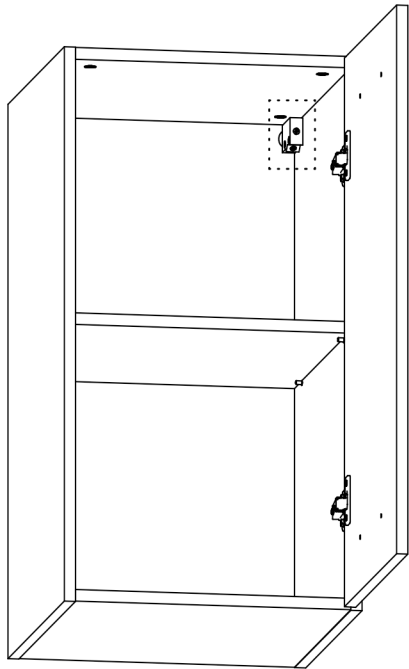
7



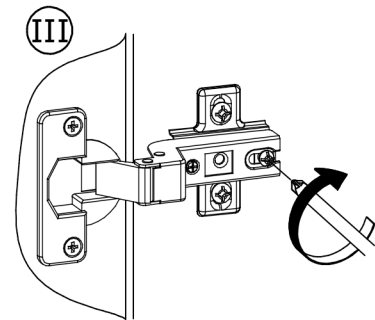
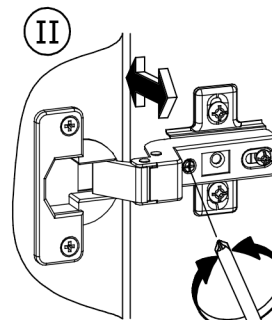
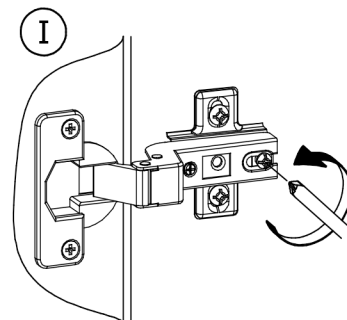
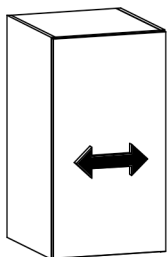
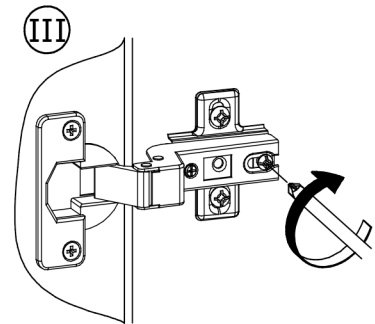
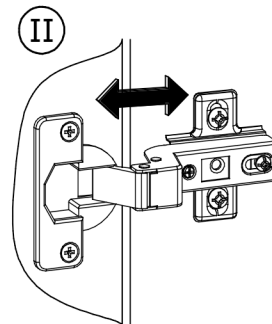
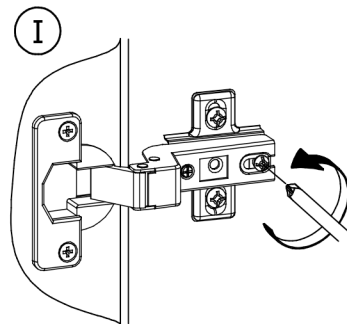
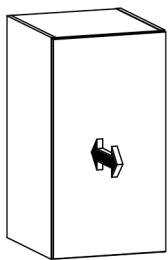
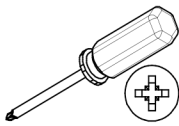
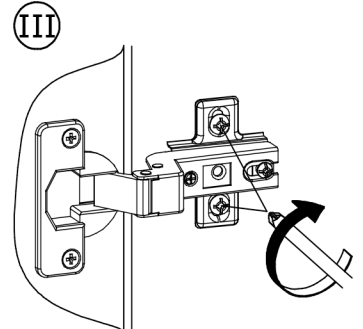
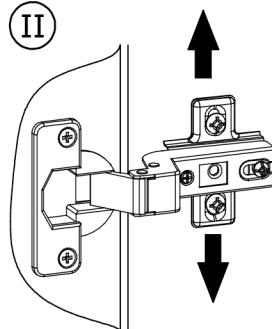
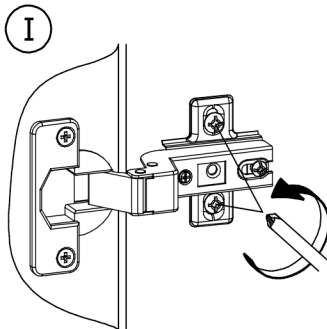
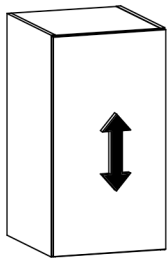
8



9



10

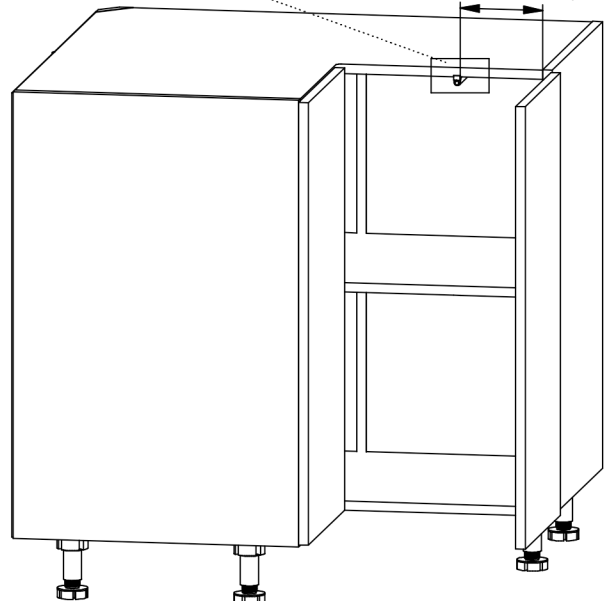
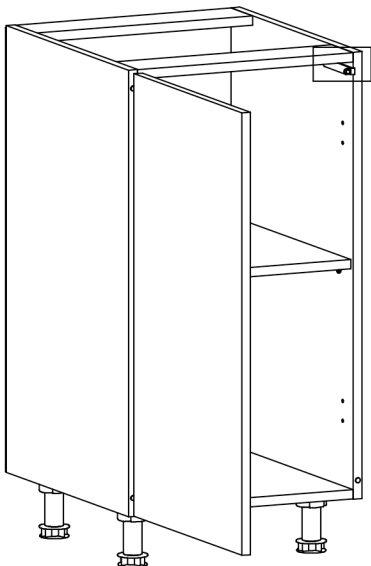
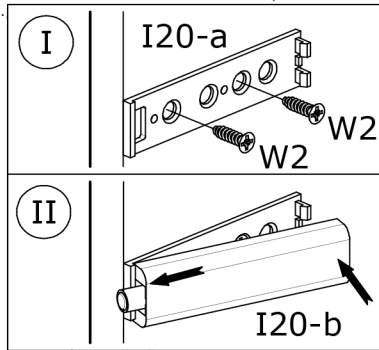
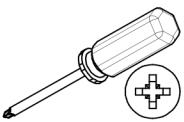
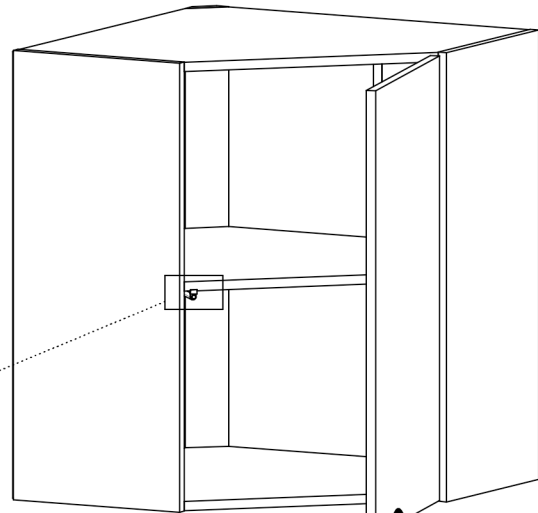
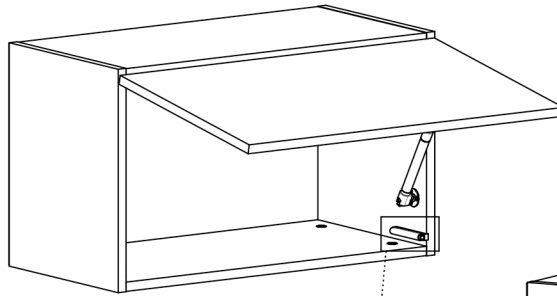
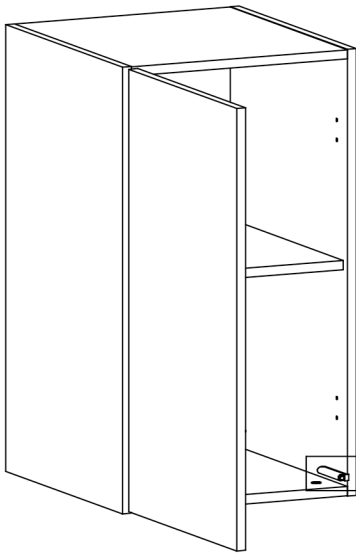
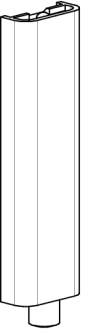
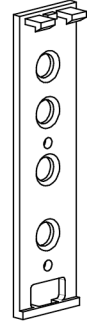
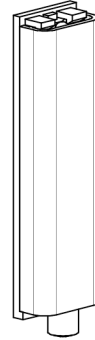
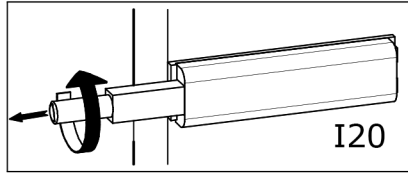
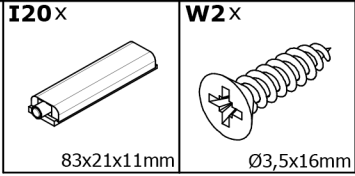


?

A

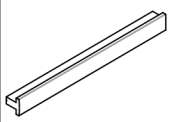
B

A



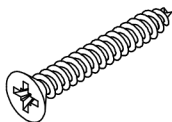
B

U18 / U19



200 / 300mm

W5

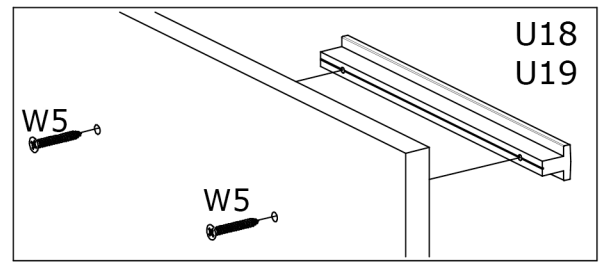
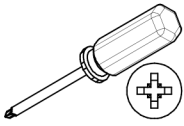


Ø4x30mm

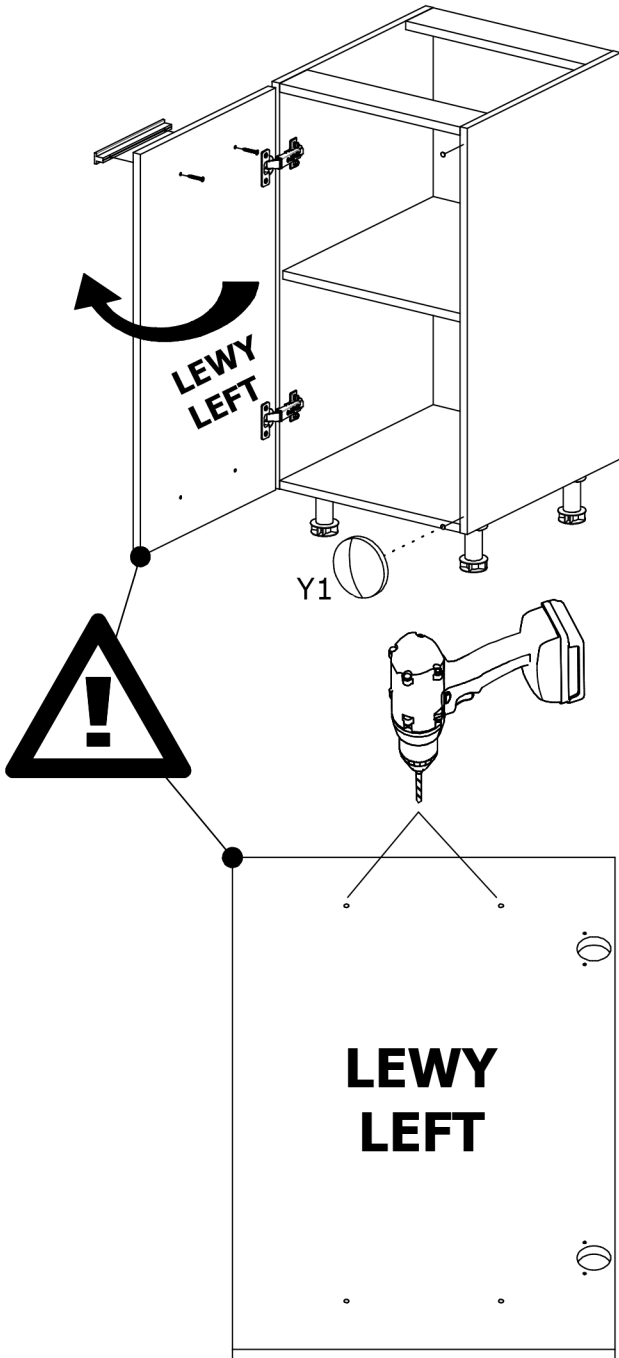
Y1



Ø8x1,5mm



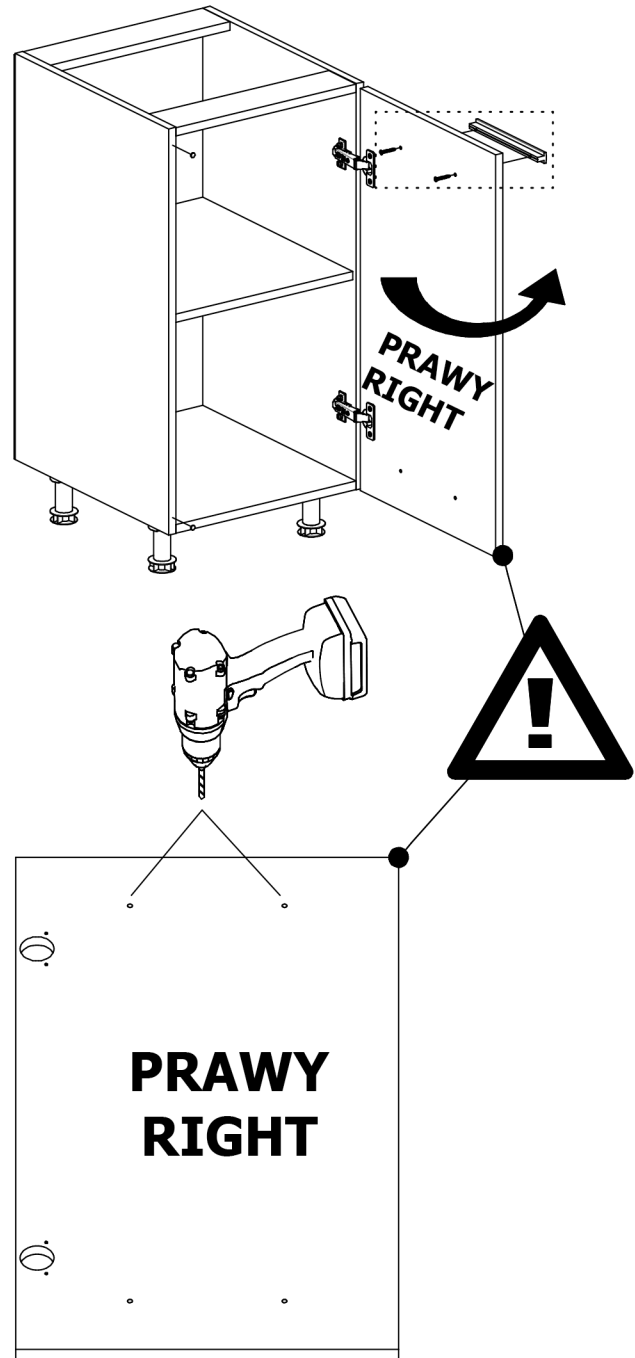
U18
U19



LEWY
LEFT

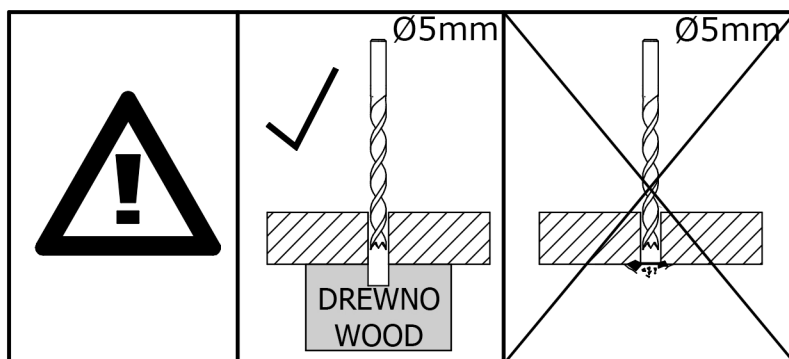
Y1

LEWY
LEFT



PRAWY
RIGHT

PRAWY
RIGHT



Ø5mm

DREWNO
WOOD

Ø5mm