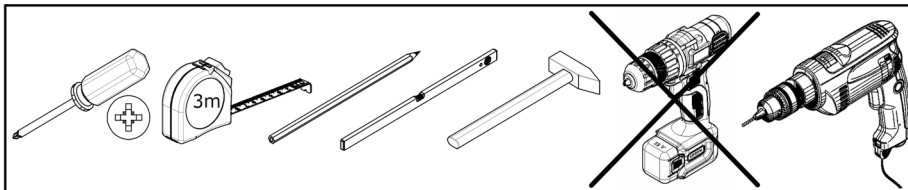
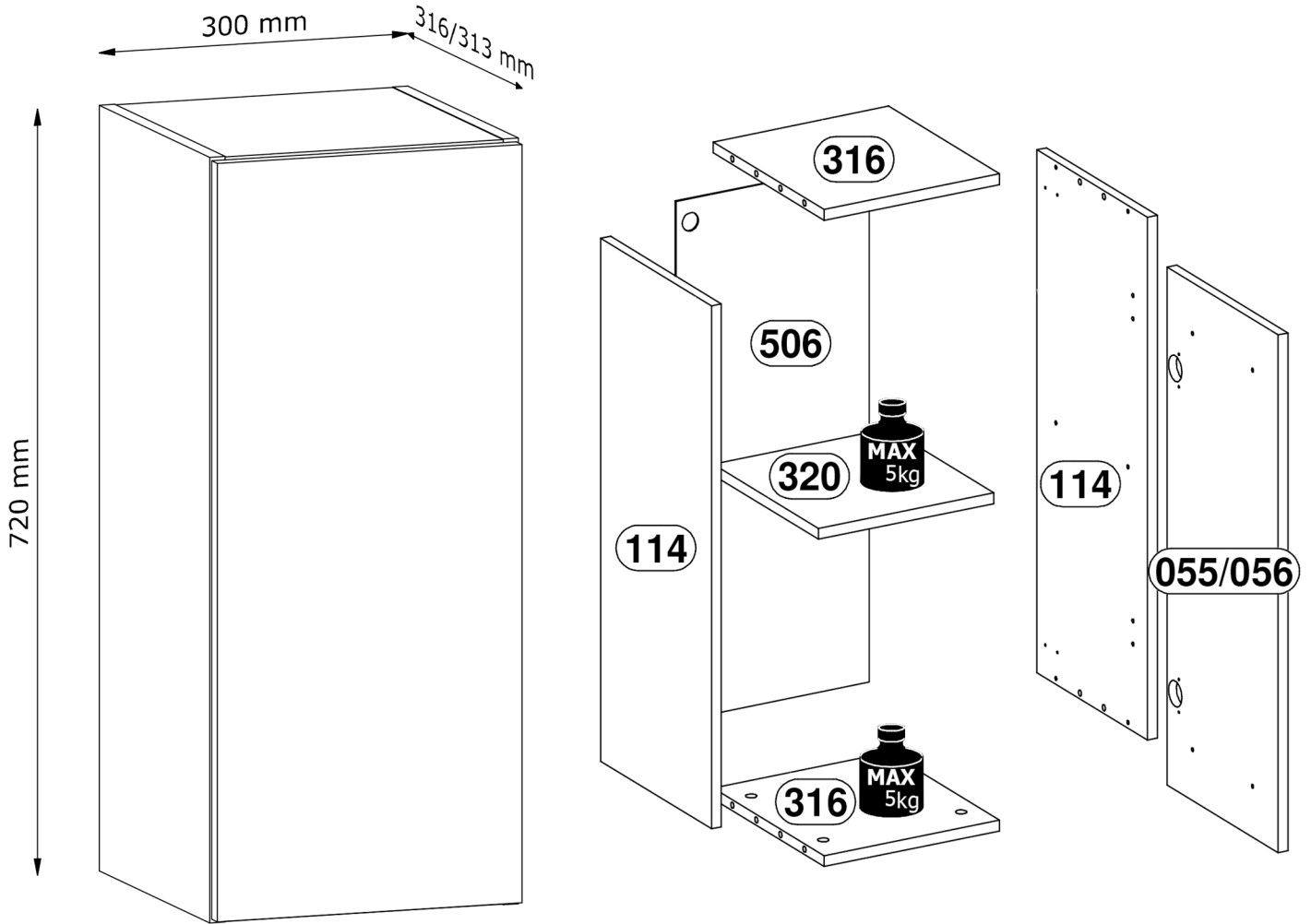
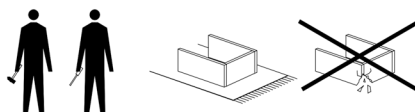


LANGEN

G30



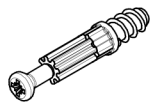
A1 x 8 Ø8x35mm	B1 x 8 Ø5x38mm	C1 x 8 Ø15x12mm	E1 x 4 Ø5x16mm	G1 x 20 26mm
I20 x 1 83x21x11mm	J10 x 8 Ø21mm	O1 x 2 70x39x18mm	O5 x 2 76x32x6mm	U18 x 1 200mm
W2 x 6 Ø3,5x16mm	W5 x 6 Ø4x30mm	Y1 x 2 Ø8x1,5mm	Z1 x 2 50x40, H=2	Z3 x 2 Ø35, ZK0



No.	L[mm]	W[mm]	H[mm]	PCS	BOX
055/056	713	296	15/18	1	2/2
114	720	295	15	2	1/2
316	295	270	15	2	1/2
320	280	270	15	1	1/2
506	716	297	2,5	1	1/2

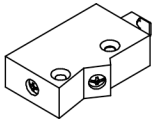
1

B1 x8



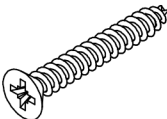
Ø5x38mm

O1 x2

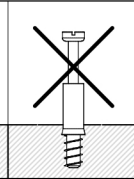
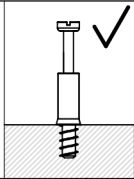
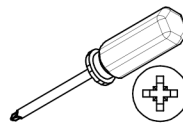


70x39x18mm

W5 x4



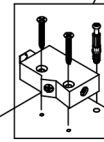
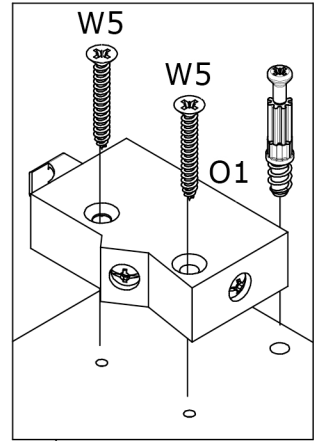
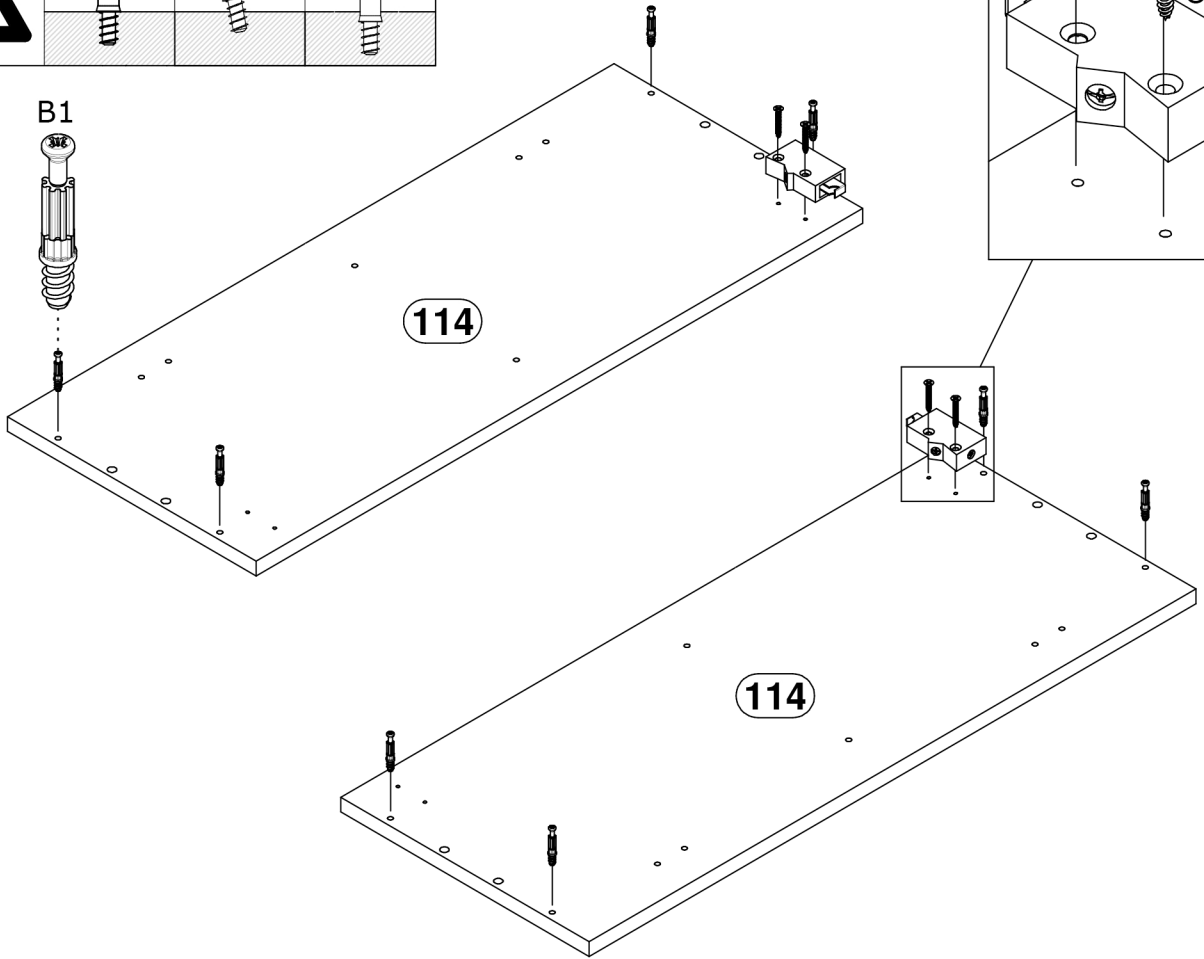
Ø4x30mm



B1



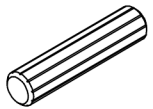
114



114

2

A1 x8



Ø8x35mm

C1 x8



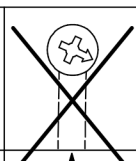
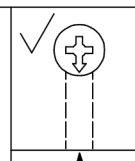
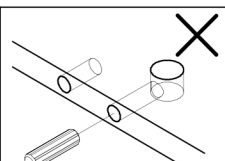
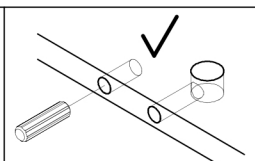
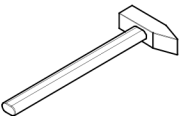
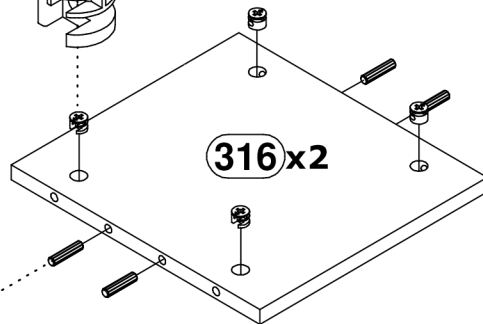
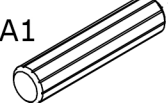
Ø15x12mm

C1

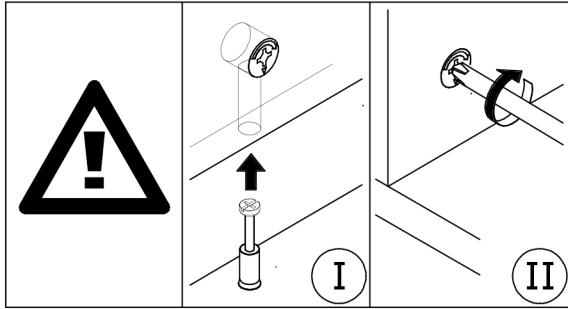
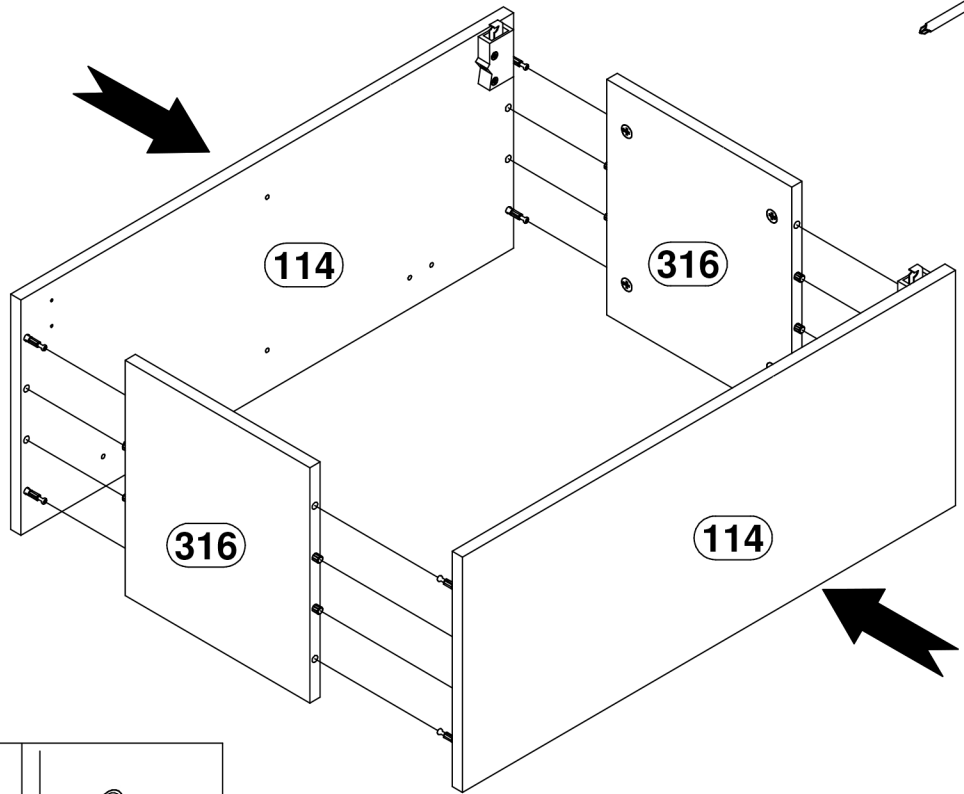
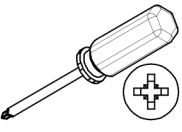


316x2

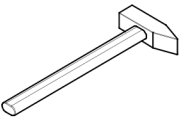
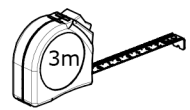
A1



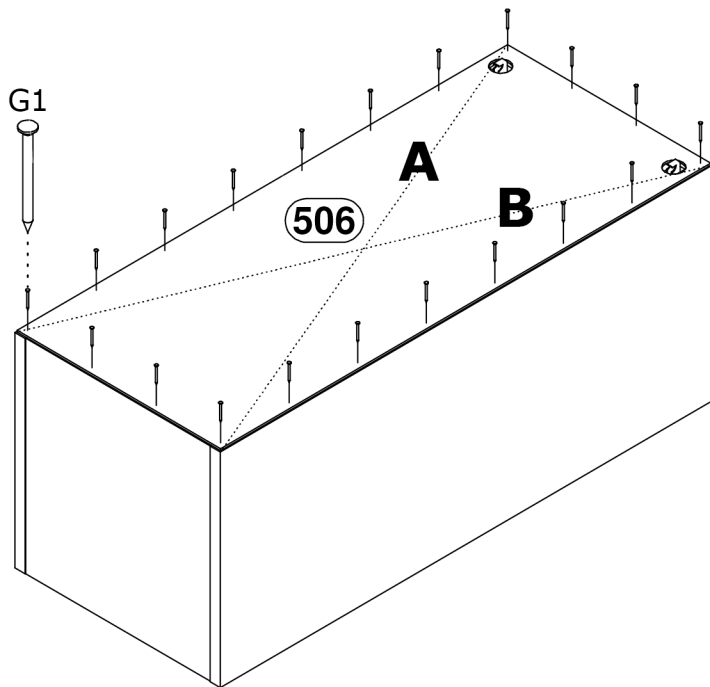
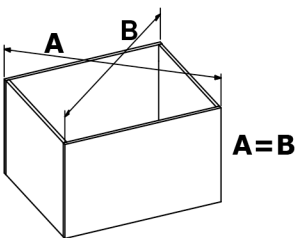
3



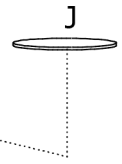
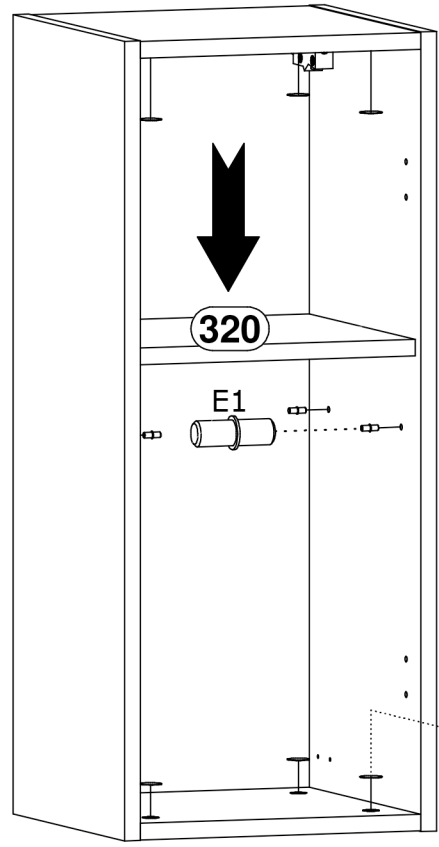
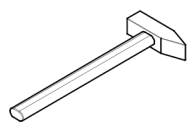
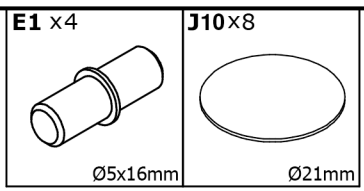
4



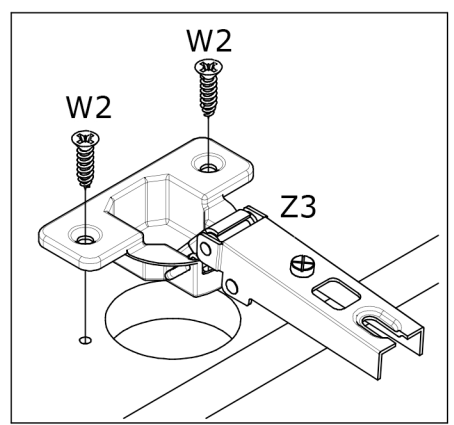
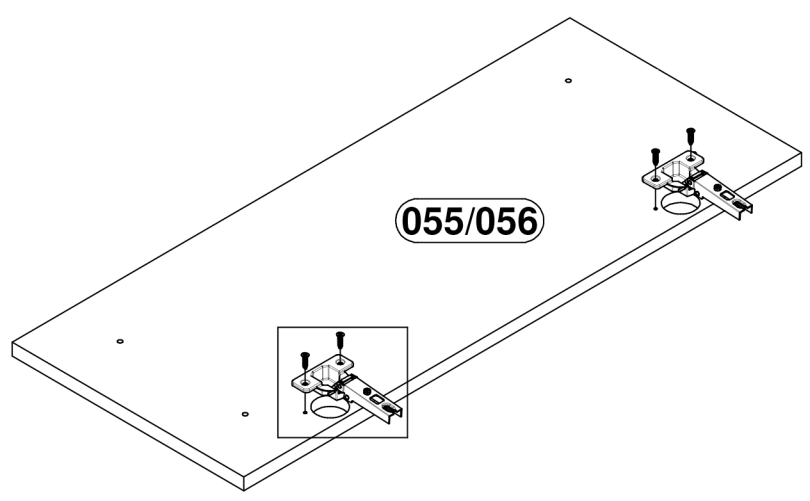
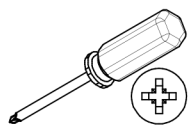
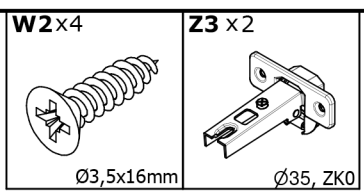
$A=B \equiv 90^\circ$



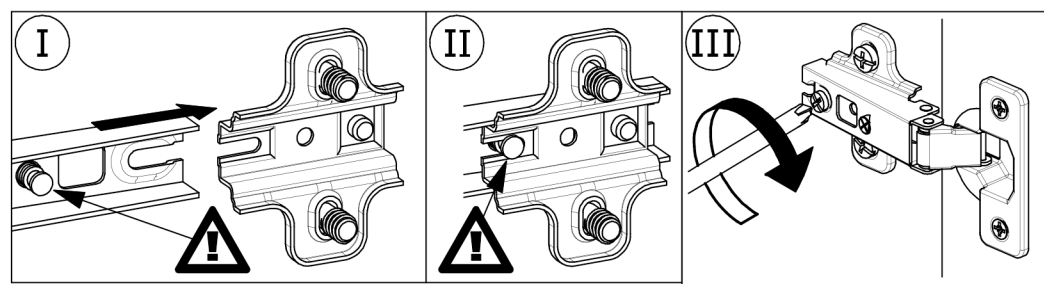
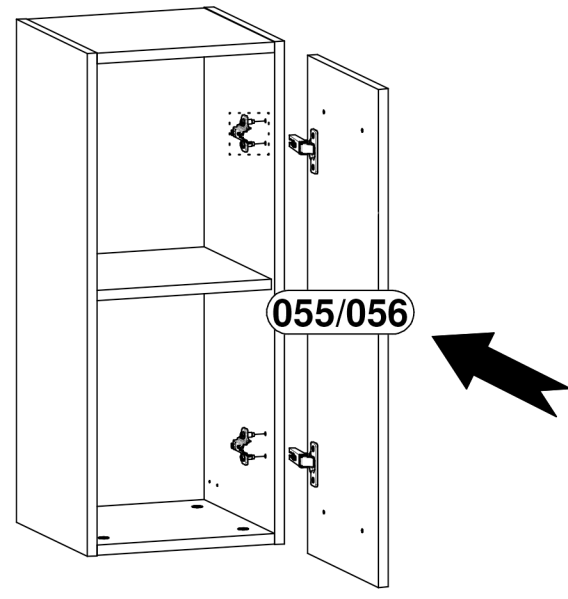
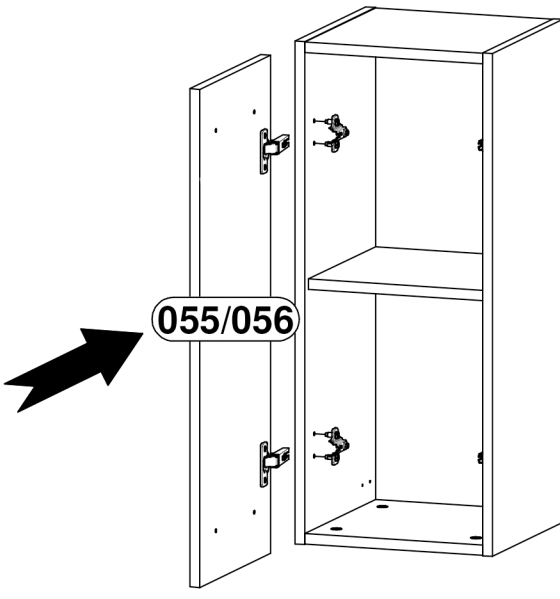
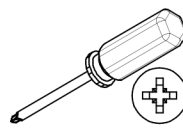
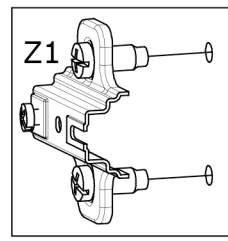
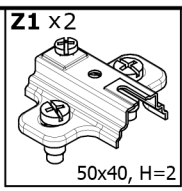
5



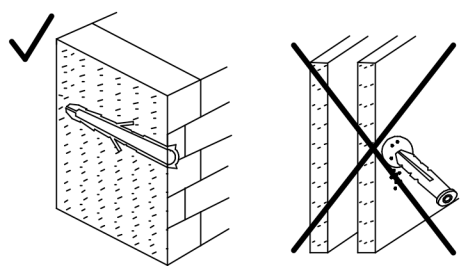
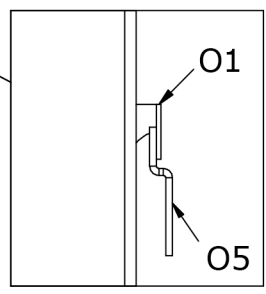
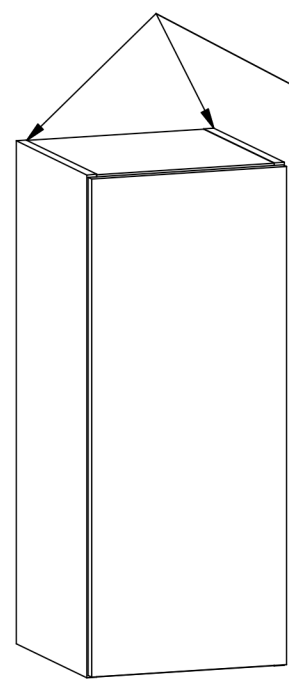
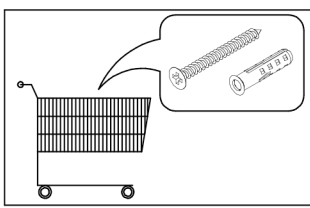
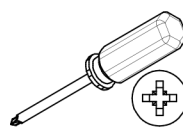
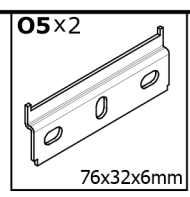
6



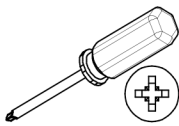
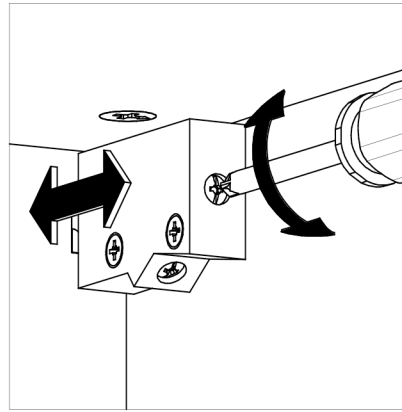
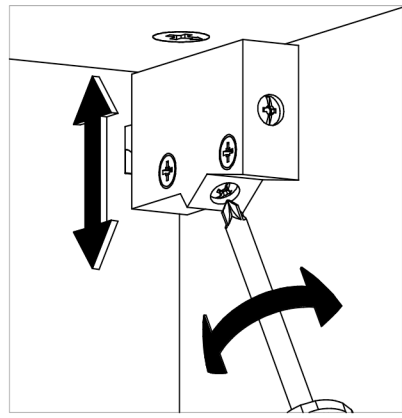
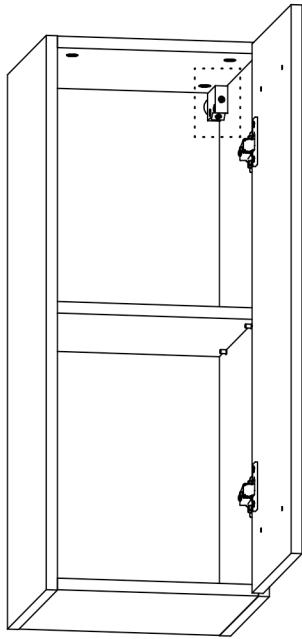
7



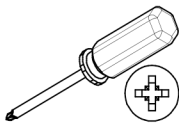
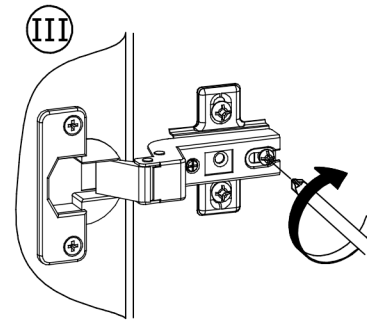
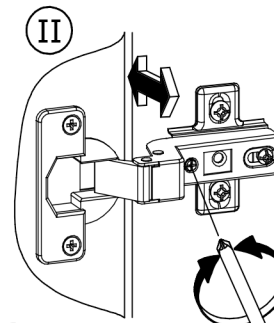
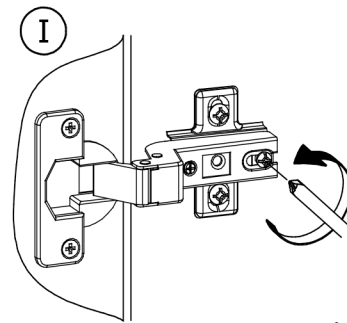
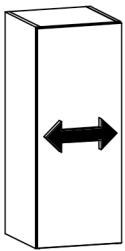
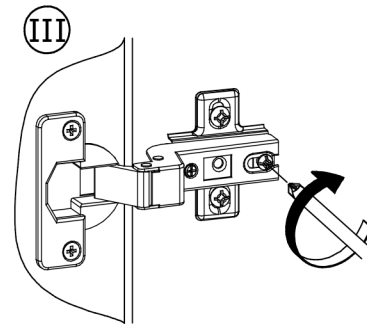
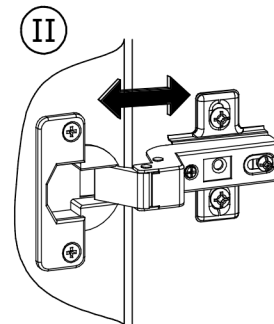
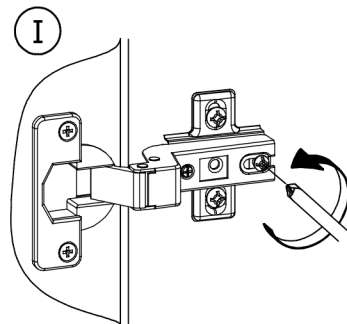
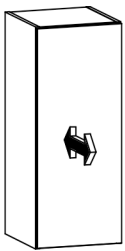
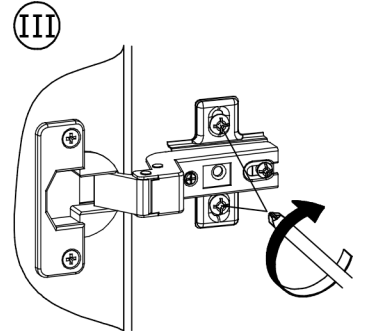
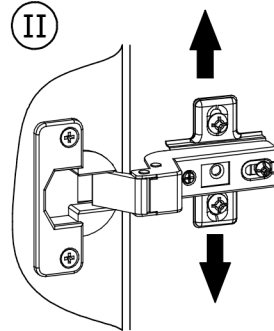
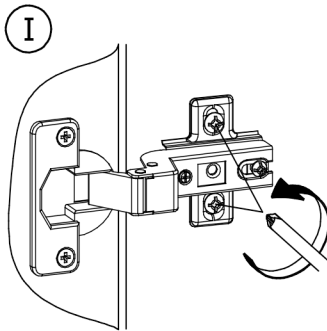
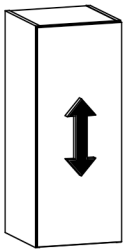
8



9



10

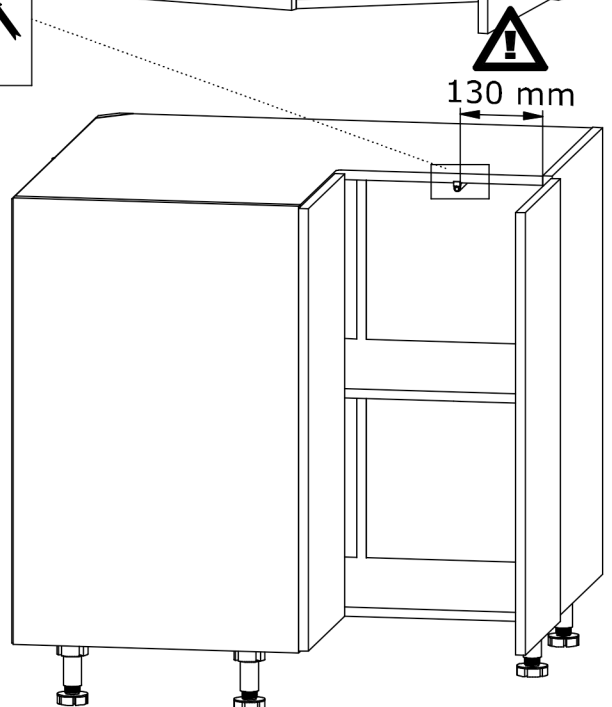
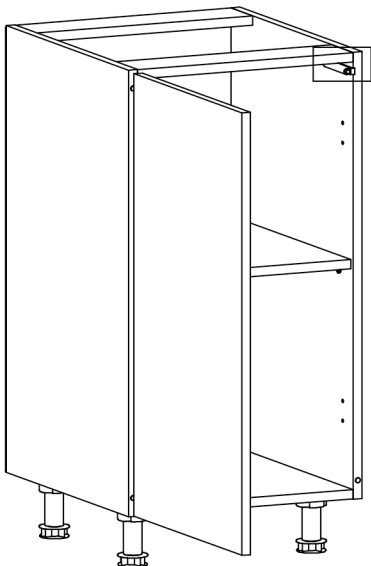
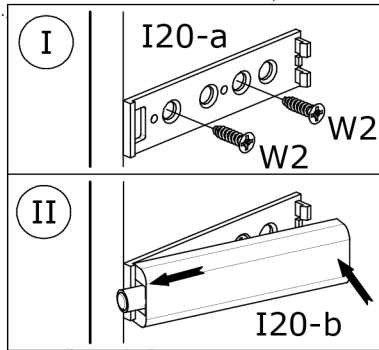
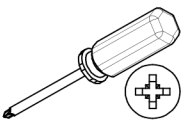
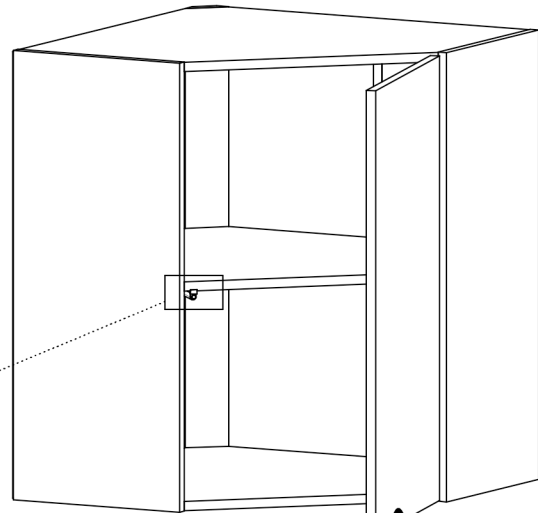
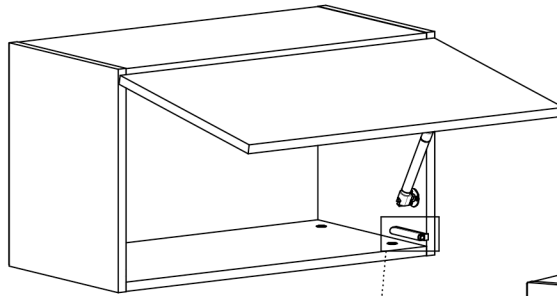
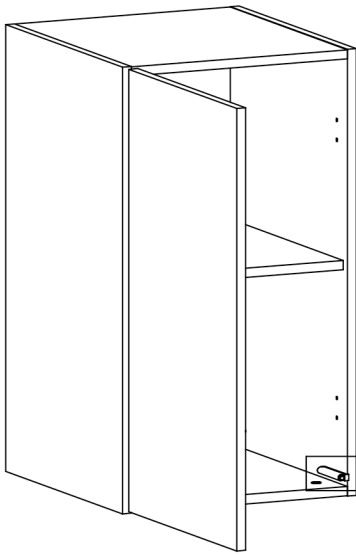
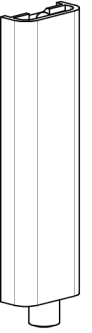
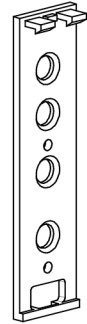
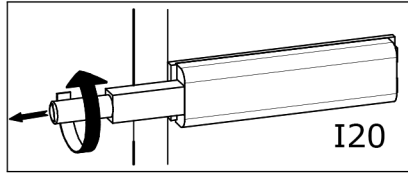
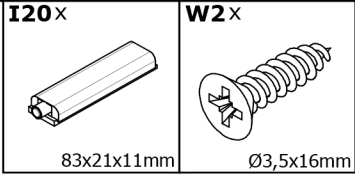


?

A

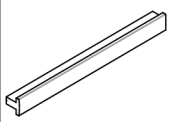
B

A



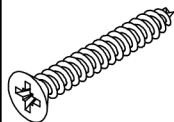
B

U18 / U19



200 / 300mm

W5

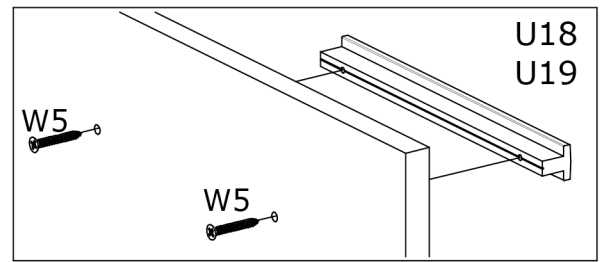
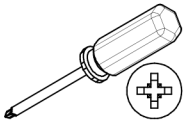


Ø4x30mm

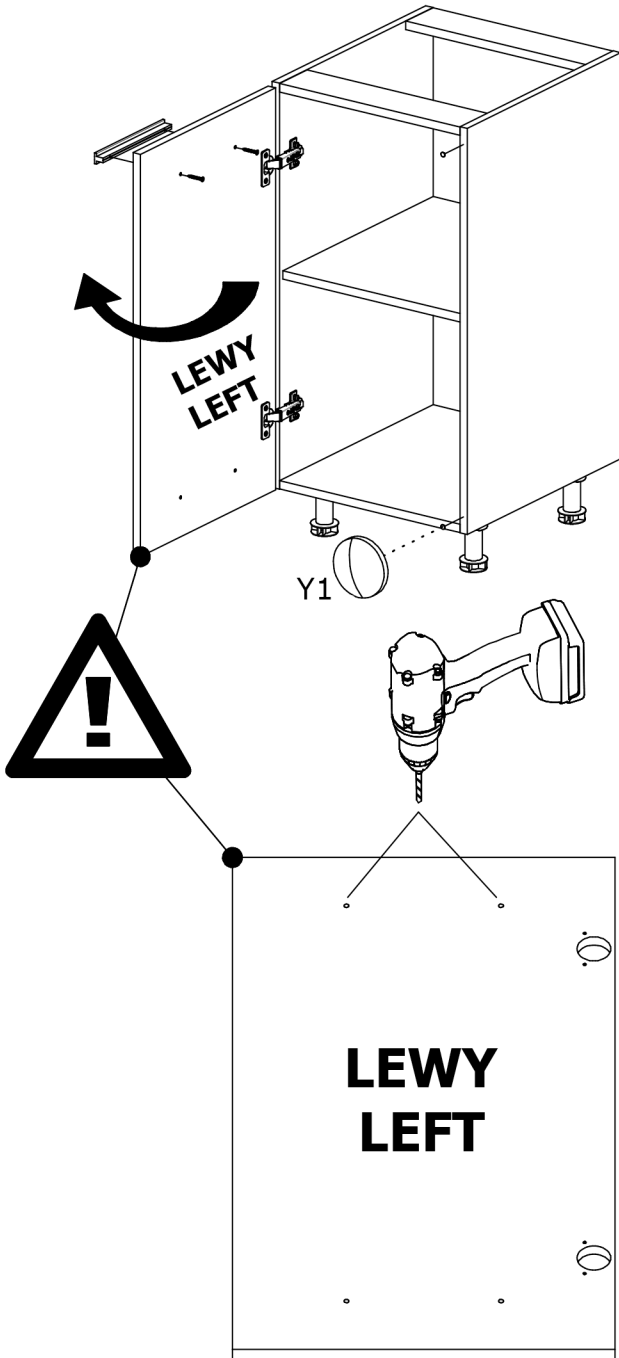
Y1



Ø8x1,5mm



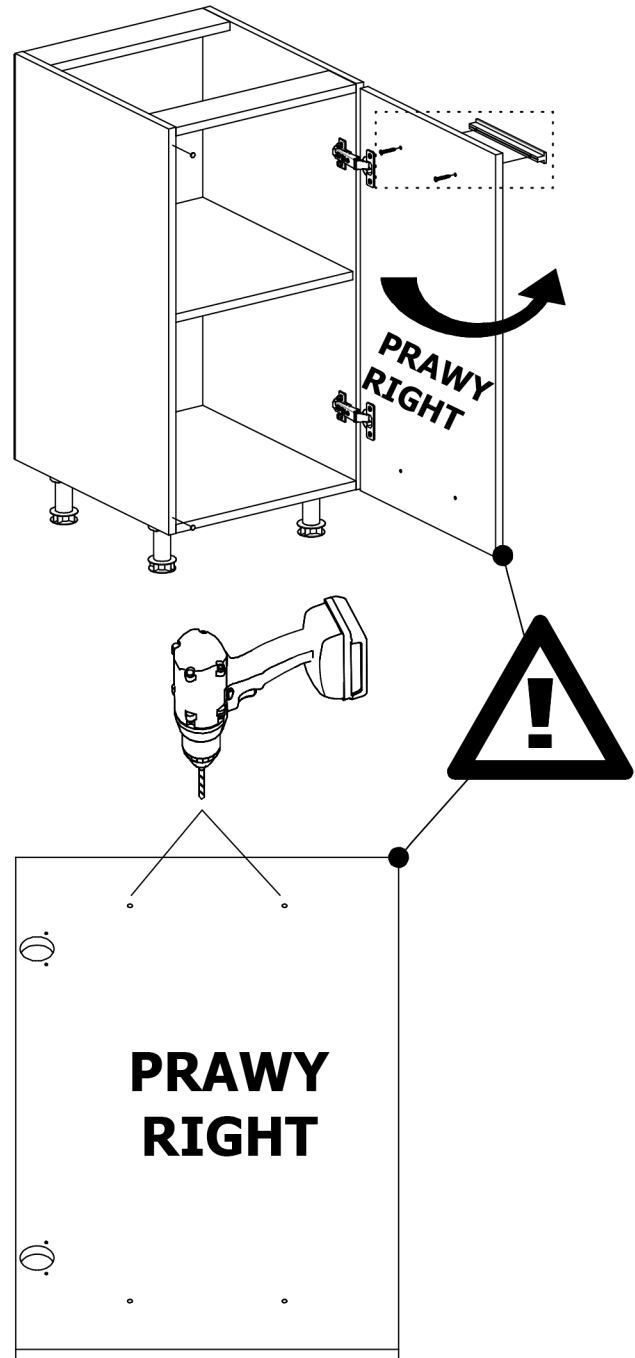
U18
U19



LEWY
LEFT

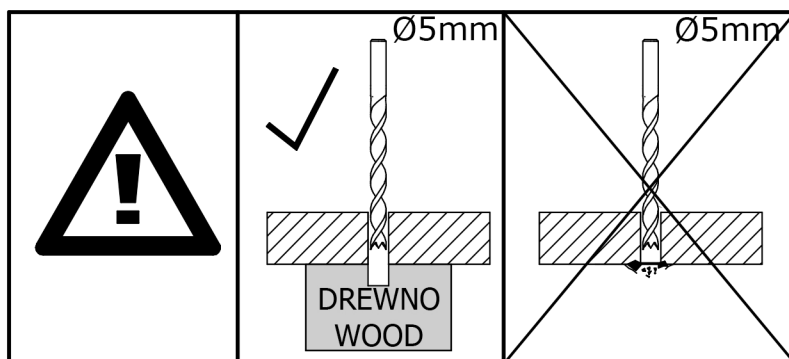
Y1

LEWY
LEFT

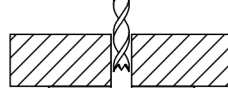


PRAWY
RIGHT

PRAWY
RIGHT



Ø5mm



DREWNO
WOOD

Ø5mm

