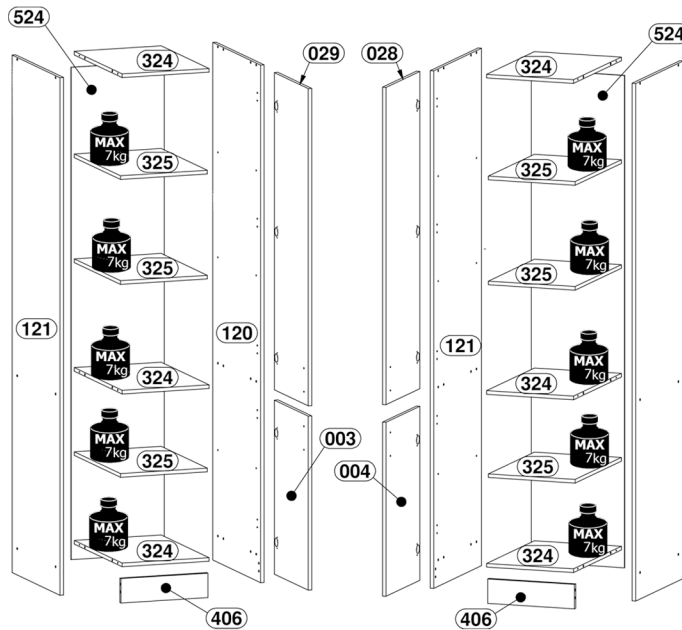
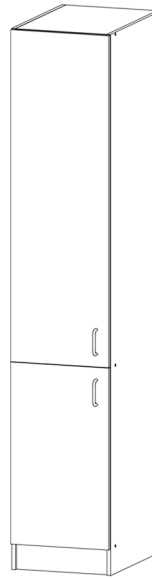
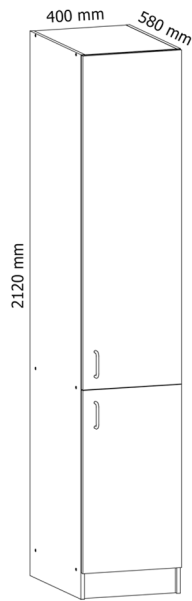
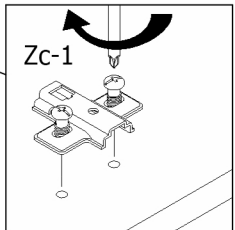
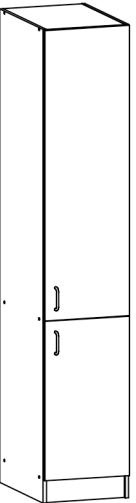
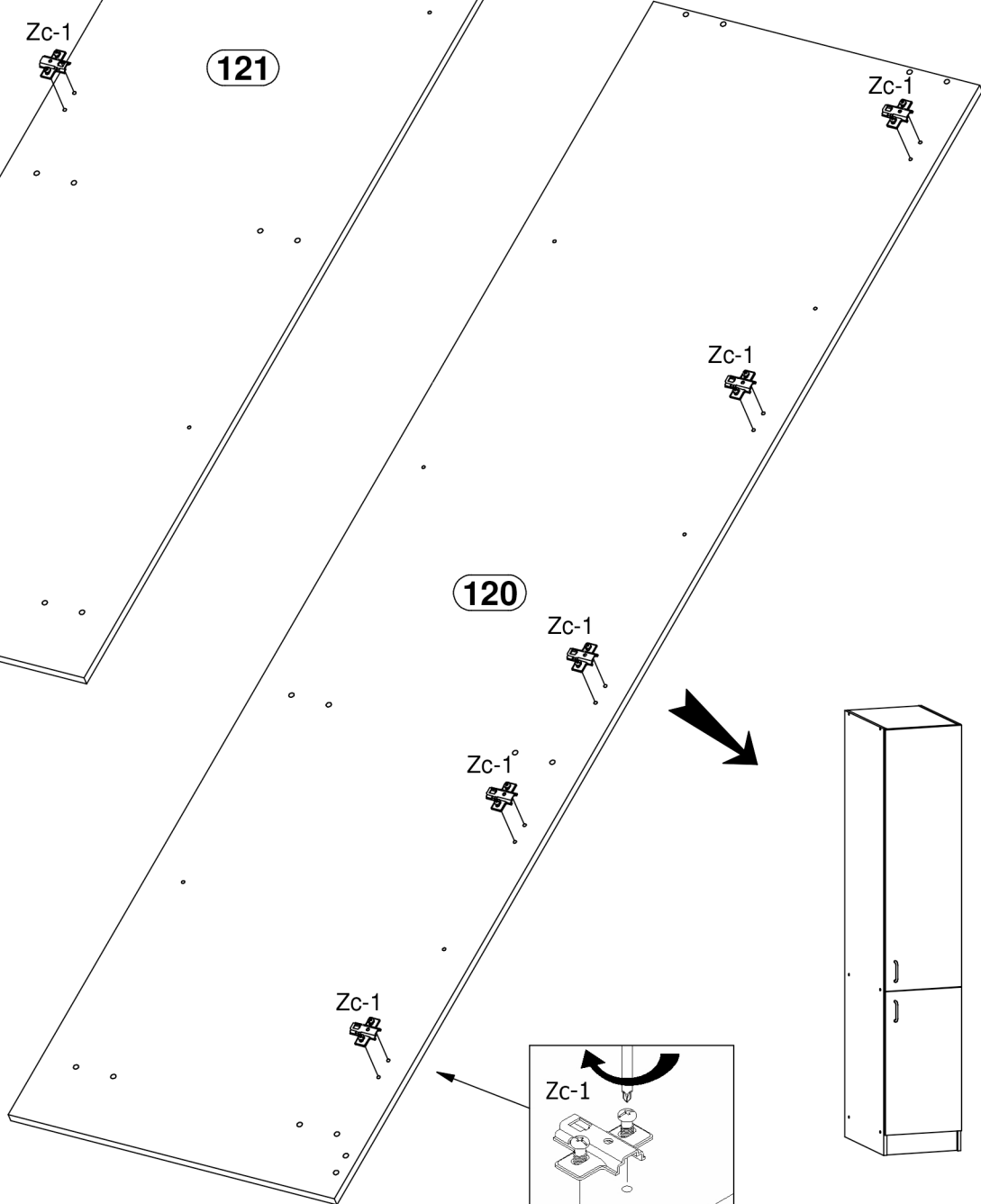
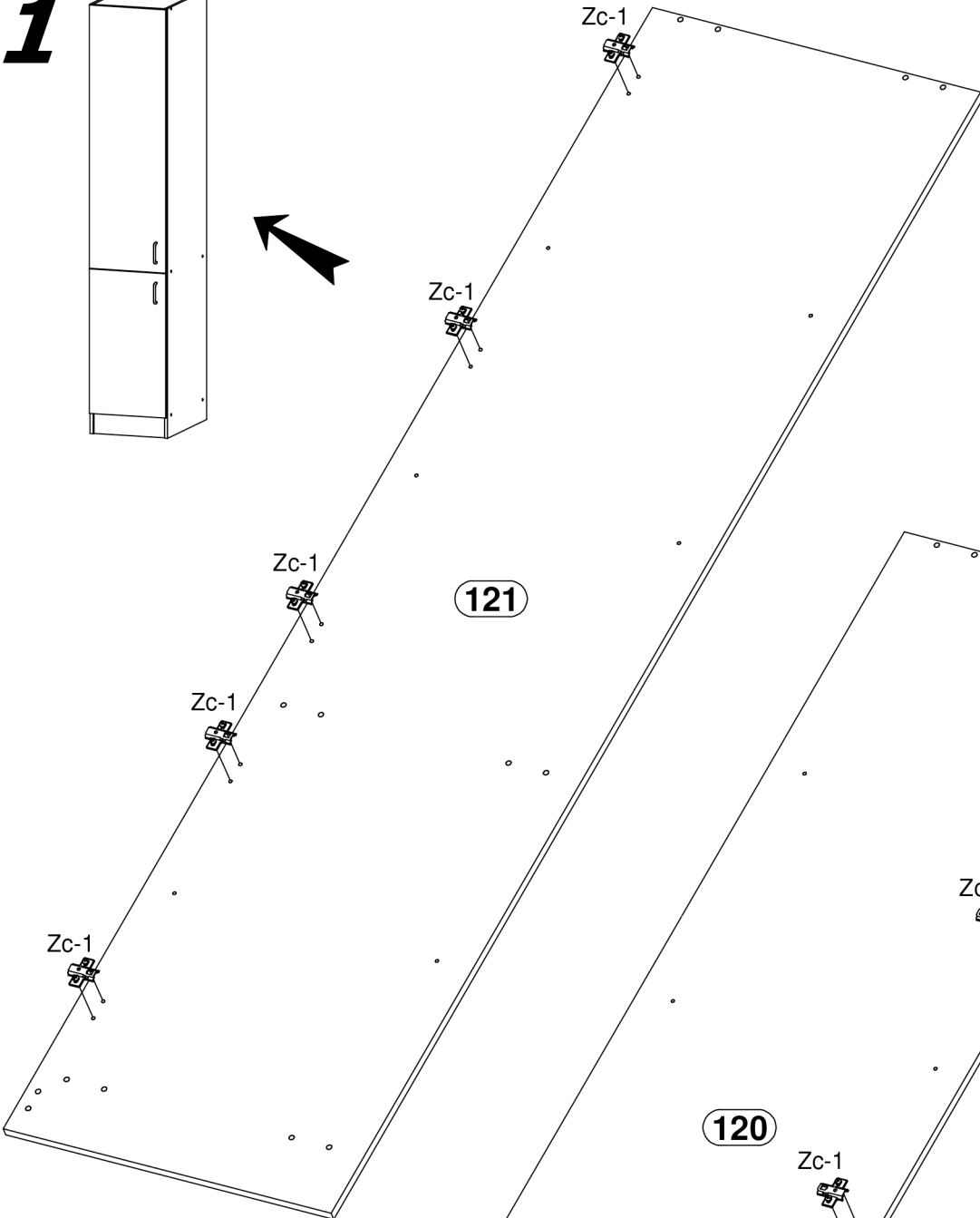
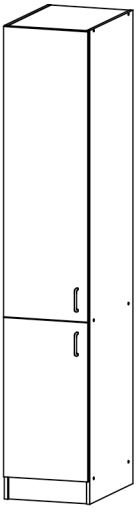


# K02-D40SP

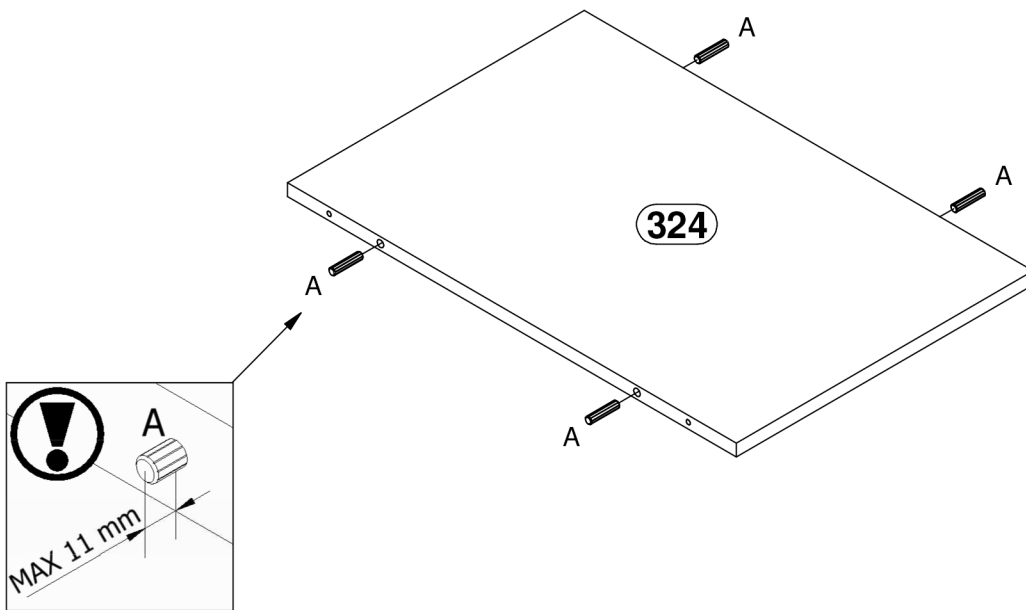


<p><b>A</b> x16</p> <p>Ø8x35mm</p>	<p><b>D</b> x12</p> <p>Ø6,4x50 mm</p>	<p><b>E</b> x12</p>	<p><b>G</b> x40</p>
<p><b>KL</b> x1</p>	<p><b>M</b> x2</p>	<p><b>T4</b> x1</p> <p>75x28x16 mm</p>	<p><b>W2</b> x12</p> <p>Ø3,5x16mm</p>
<p><b>Y2</b> x12</p>	<p><b>Zc</b> x5</p> <p>Zc-1 Zc-2</p>		

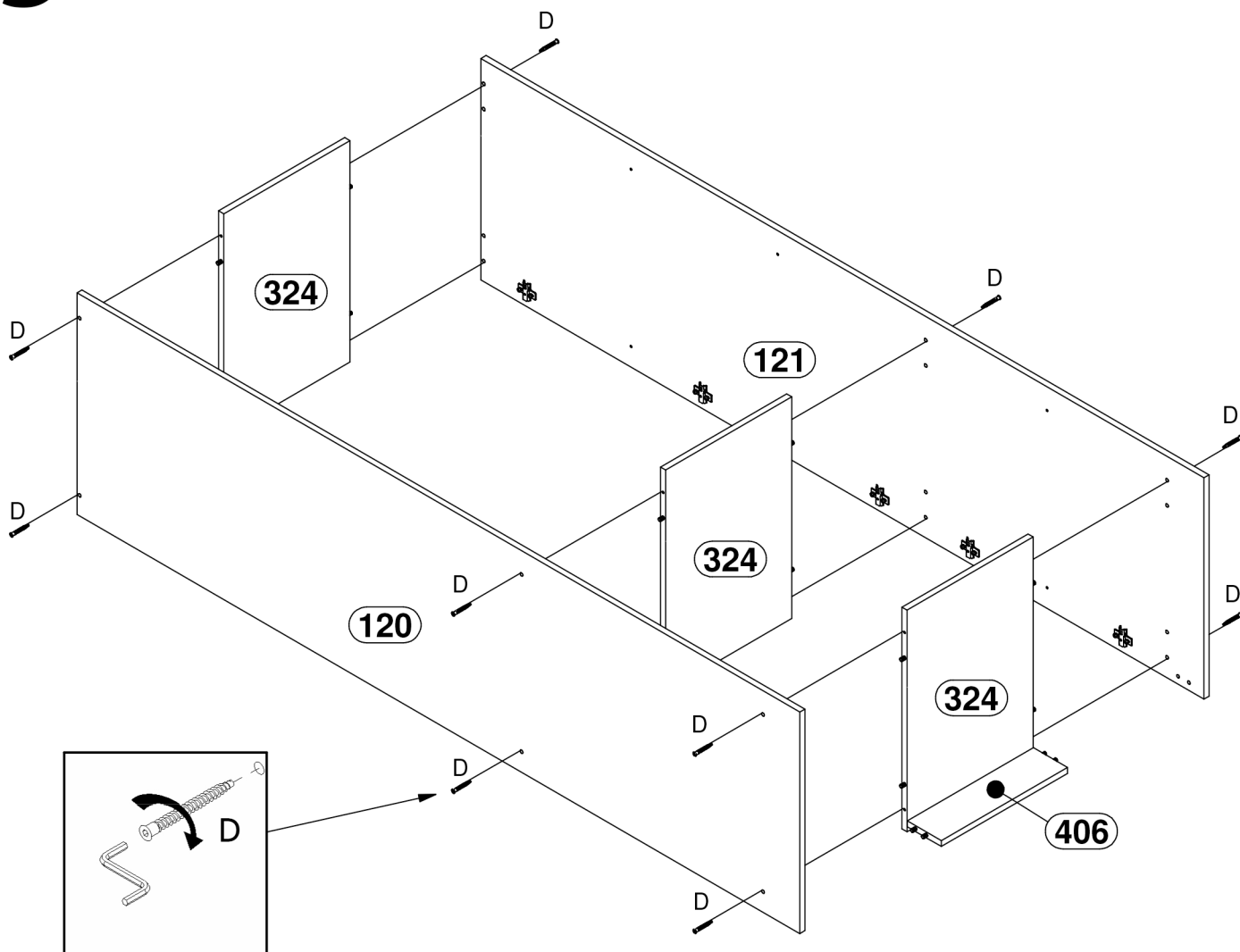
**1**



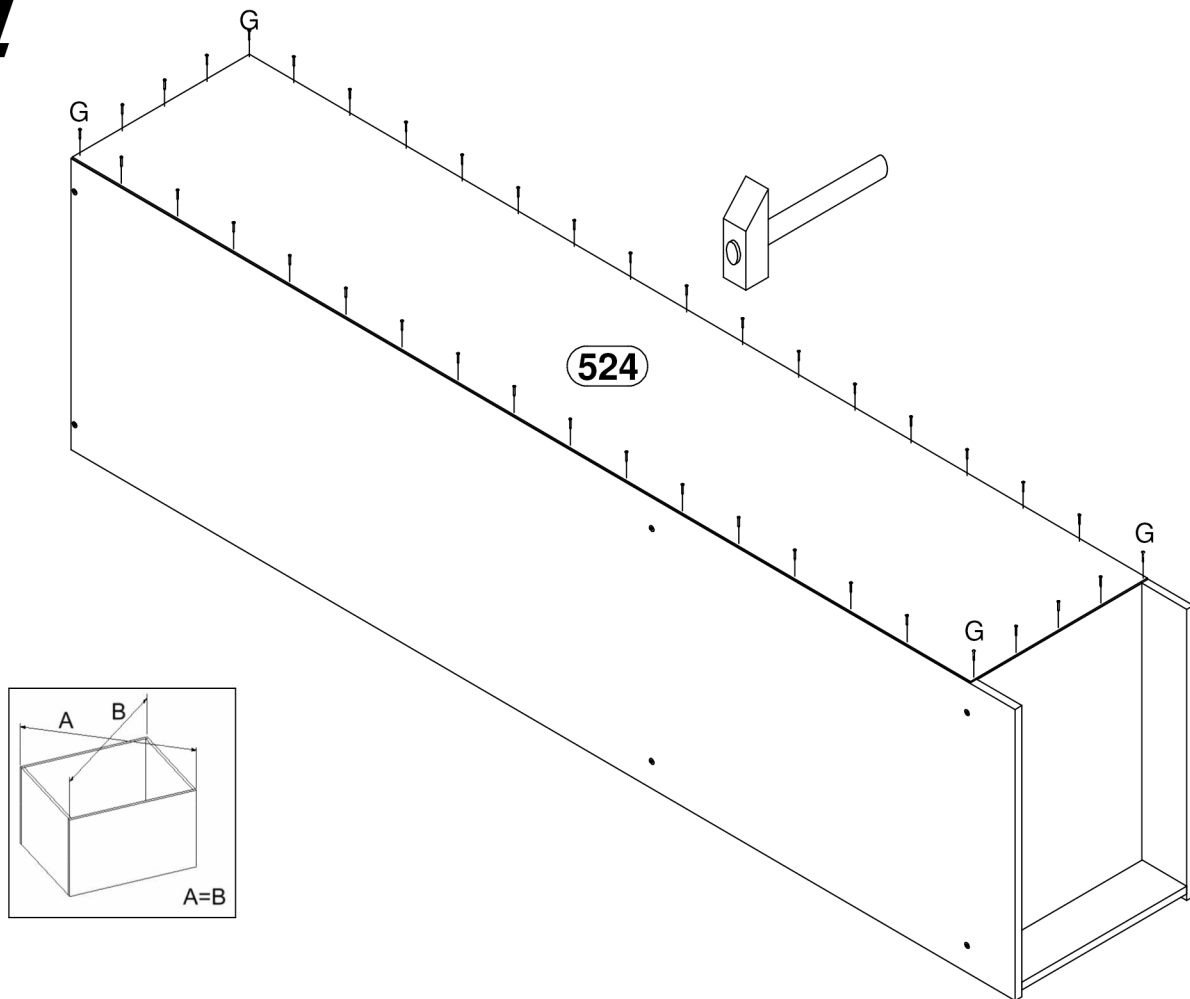
# 2



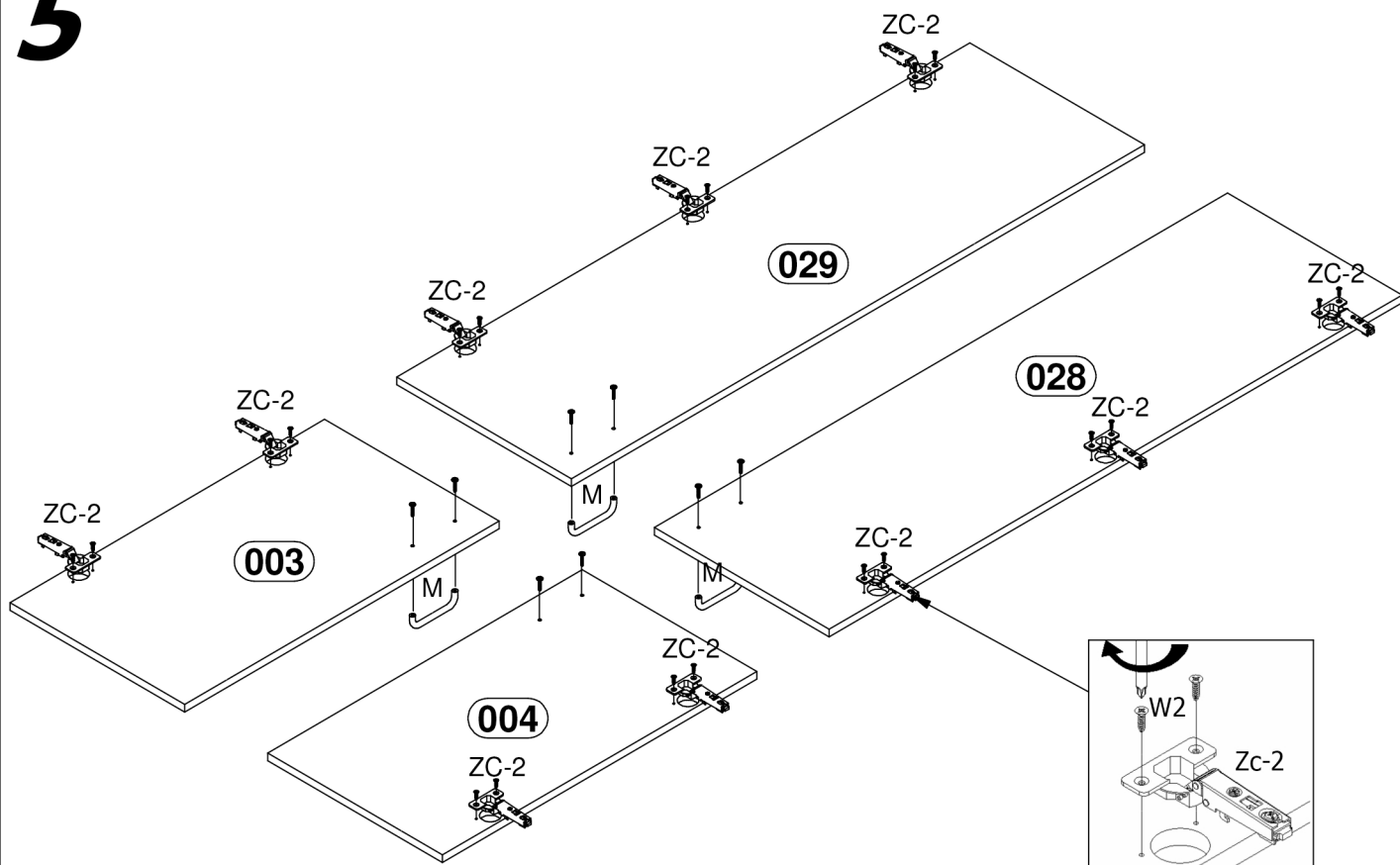
# 3



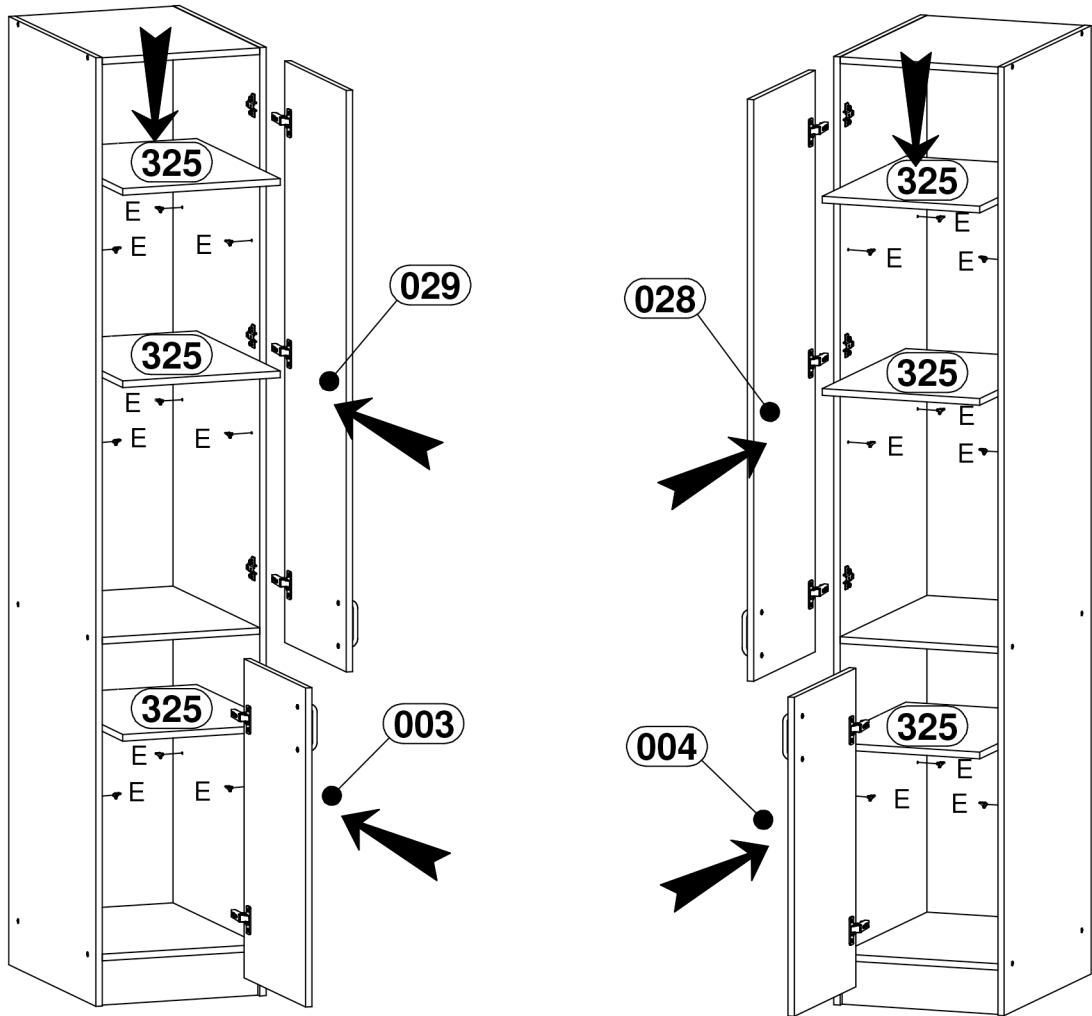
# 4



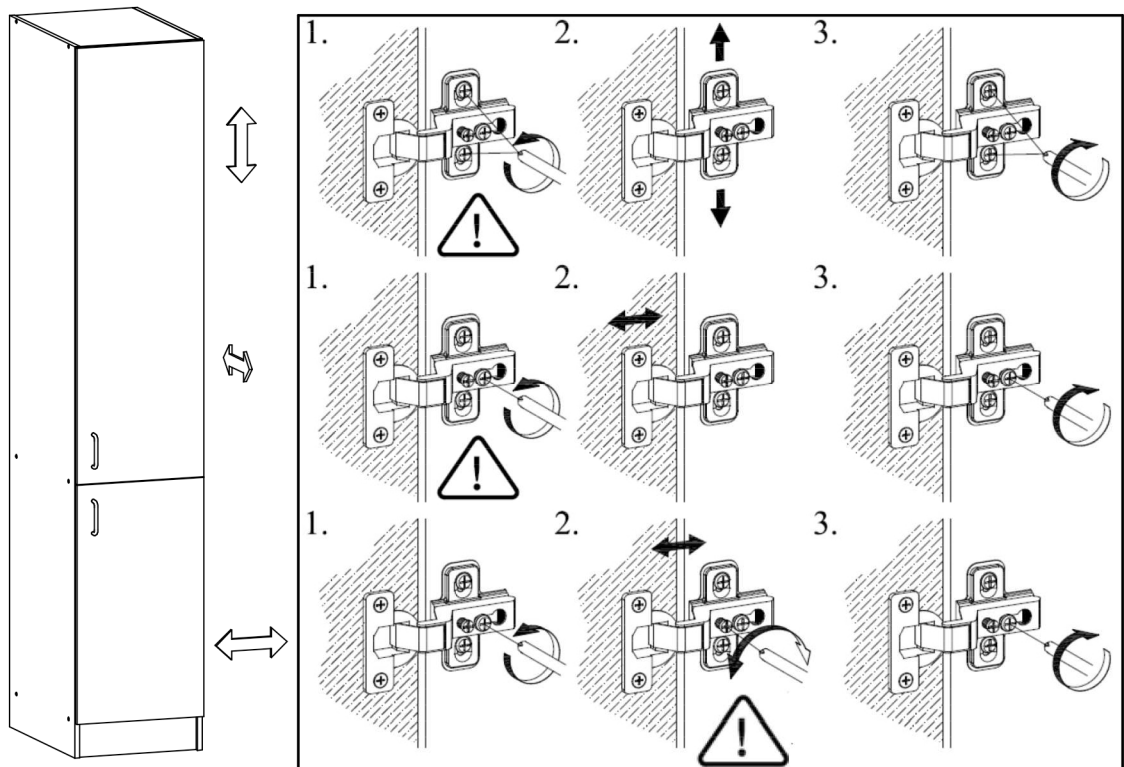
# 5



# 6



# 7



# 8

