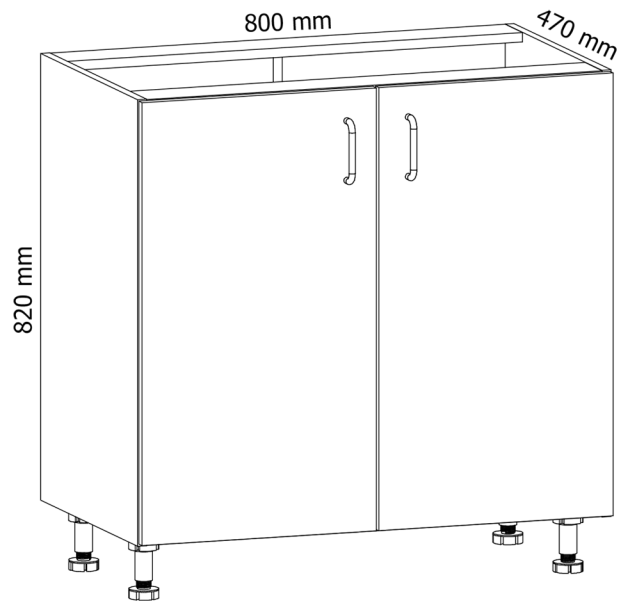
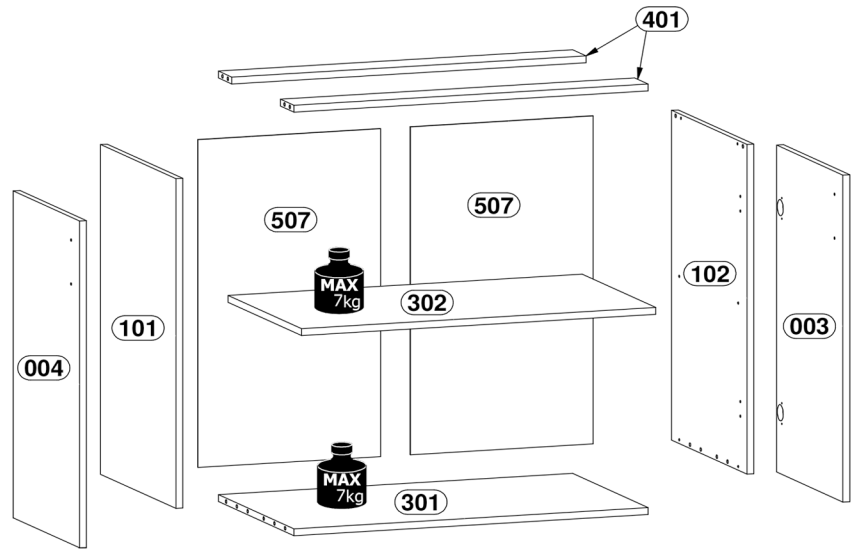
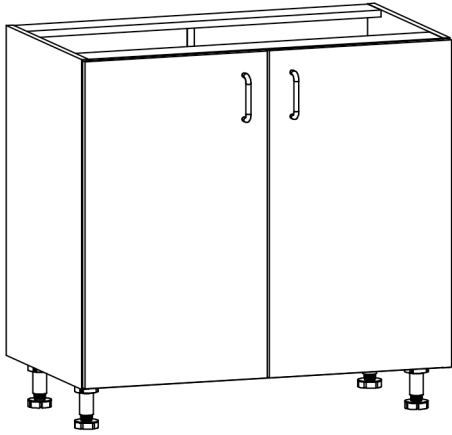
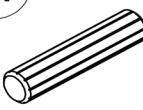
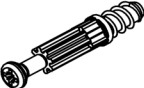

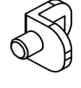
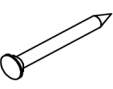
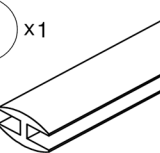
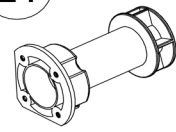



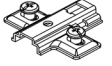
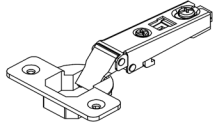
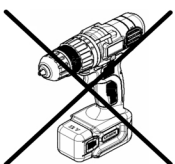


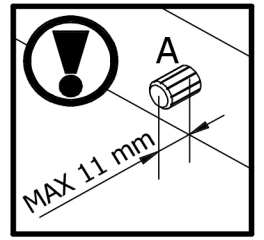
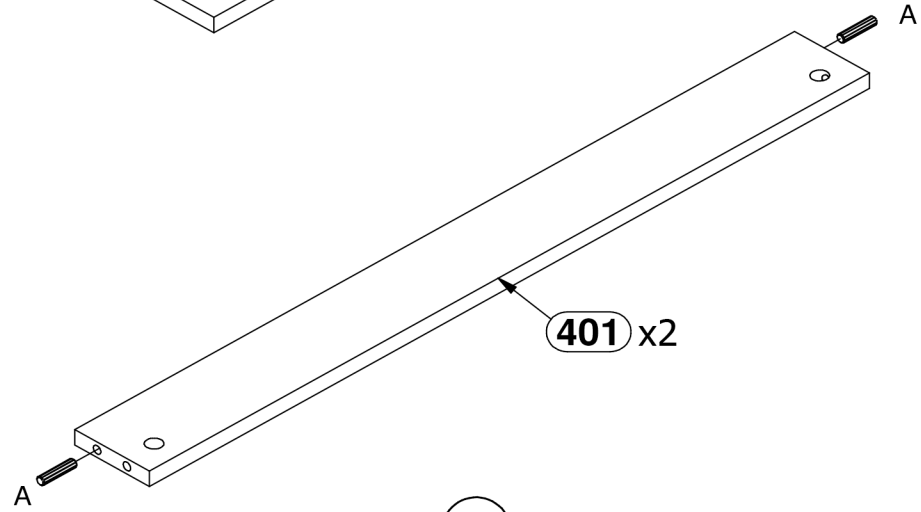
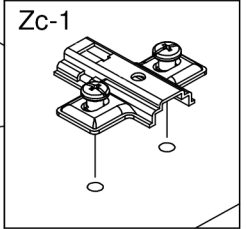
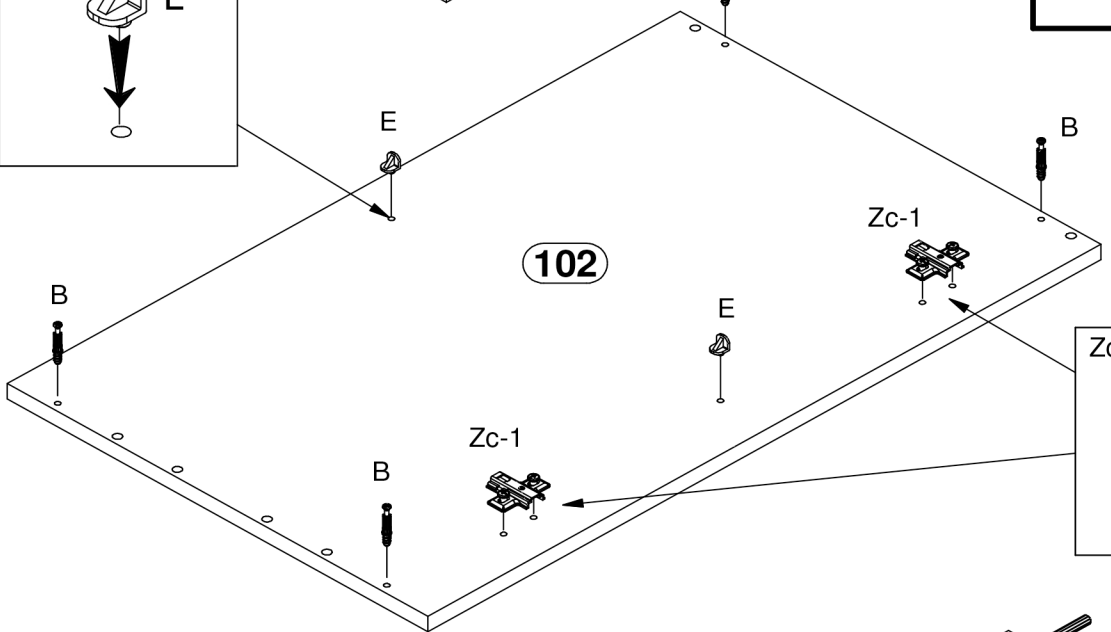
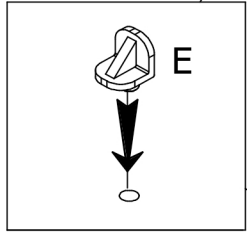
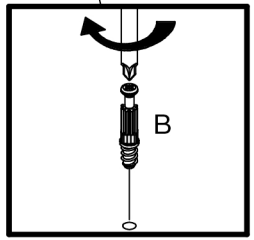
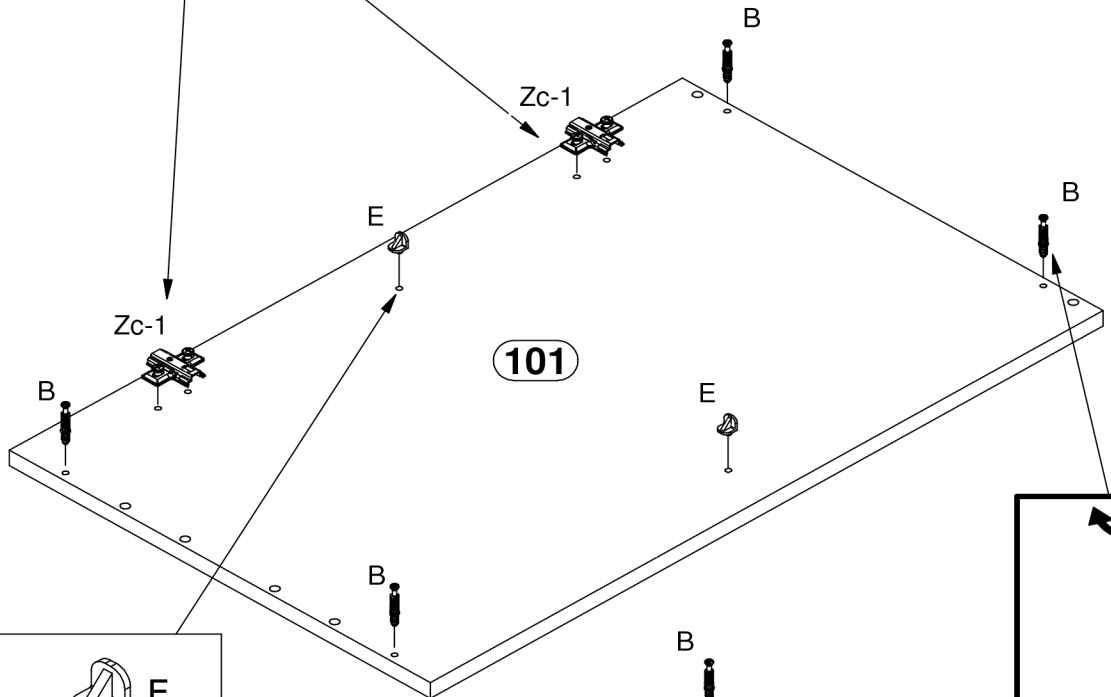
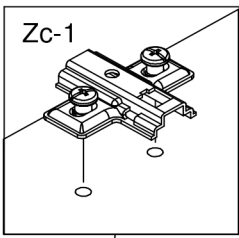
D80

S80

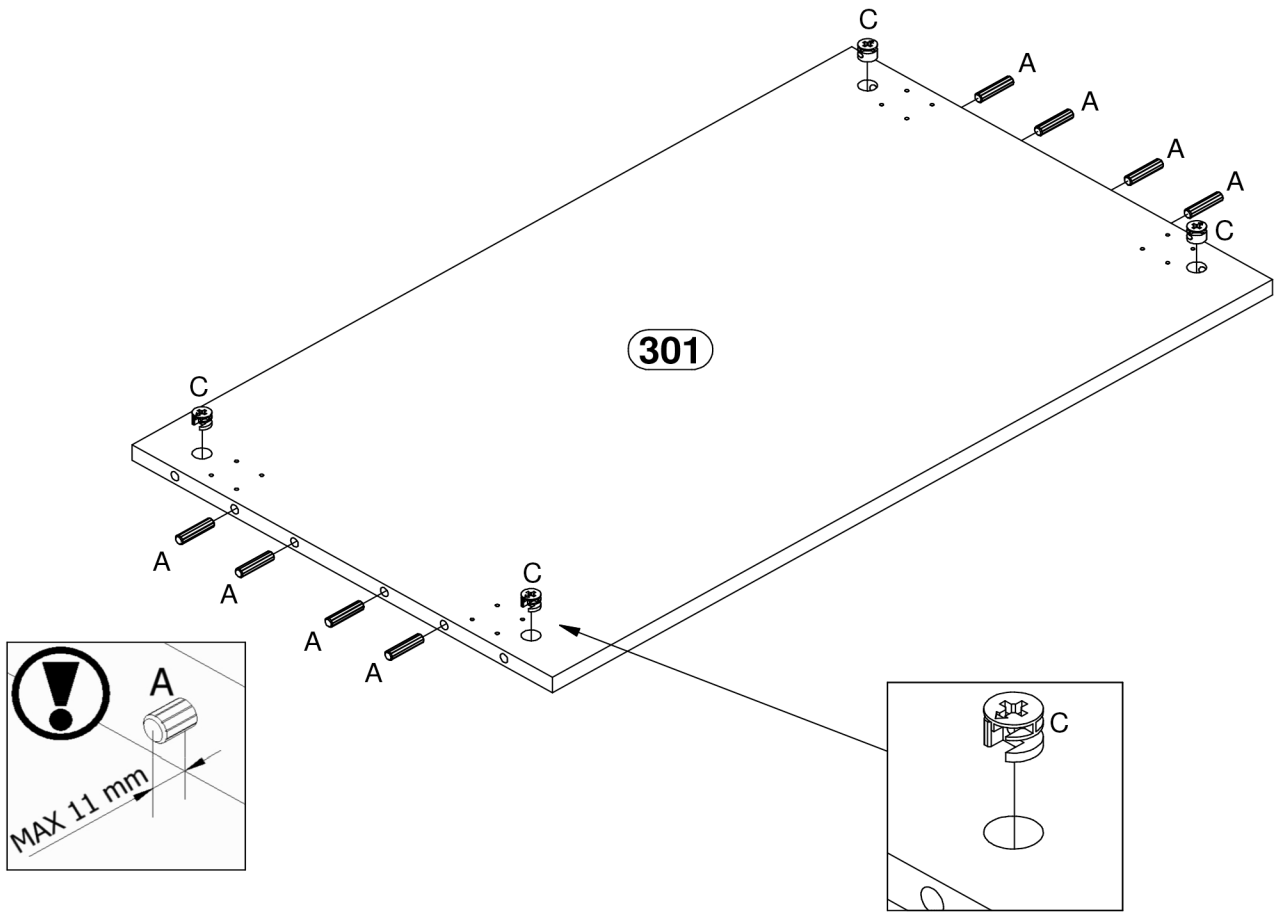


<p>A x12</p>  <p>Ø8x35mm</p>	<p>B x8</p> 	<p>C x8</p>  <p>Ø15x12mm</p>	<p>E x4</p> 
<p>G x34</p> 	<p>H x1</p>  <p>715mm</p>	<p>L1 x4</p> 	<p>M x2</p> 
<p>W2 x24</p>  <p>Ø3,5x16</p>	<p>Y x8</p>  <p>Ø18 mm</p>	<p>Zc x4</p>  <p>Zc-1</p>	 <p>Zc-2</p>
			

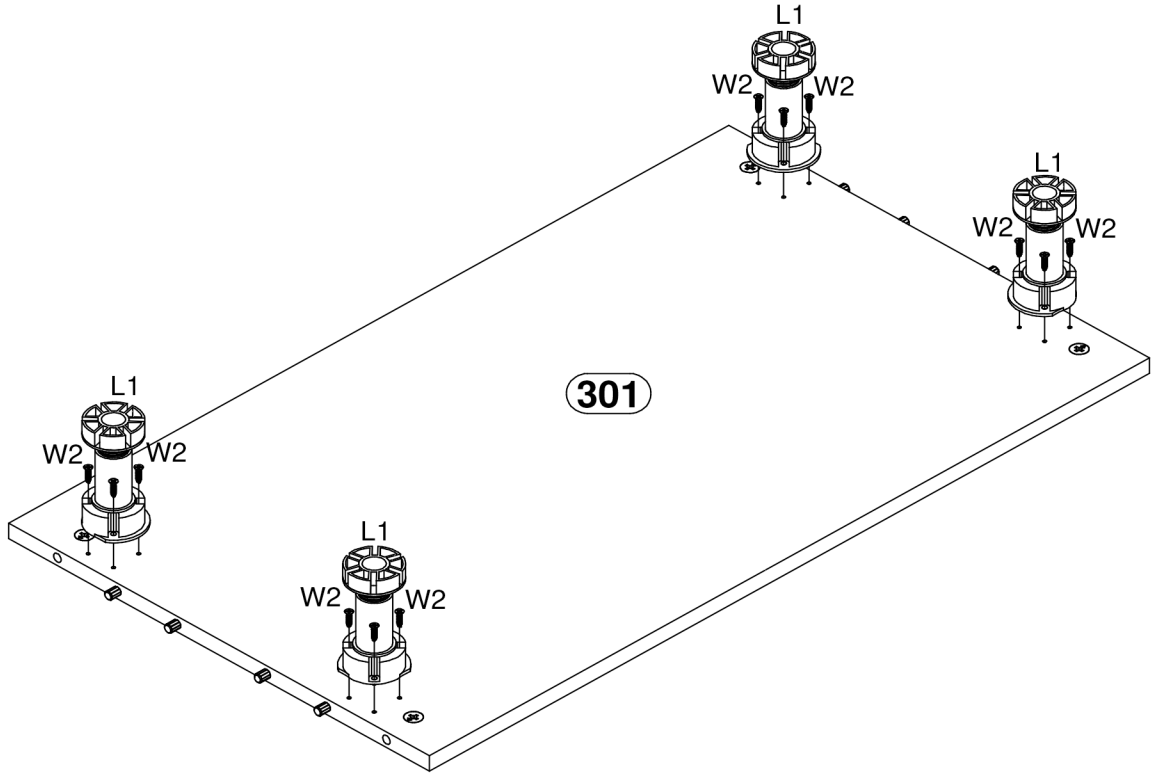
1



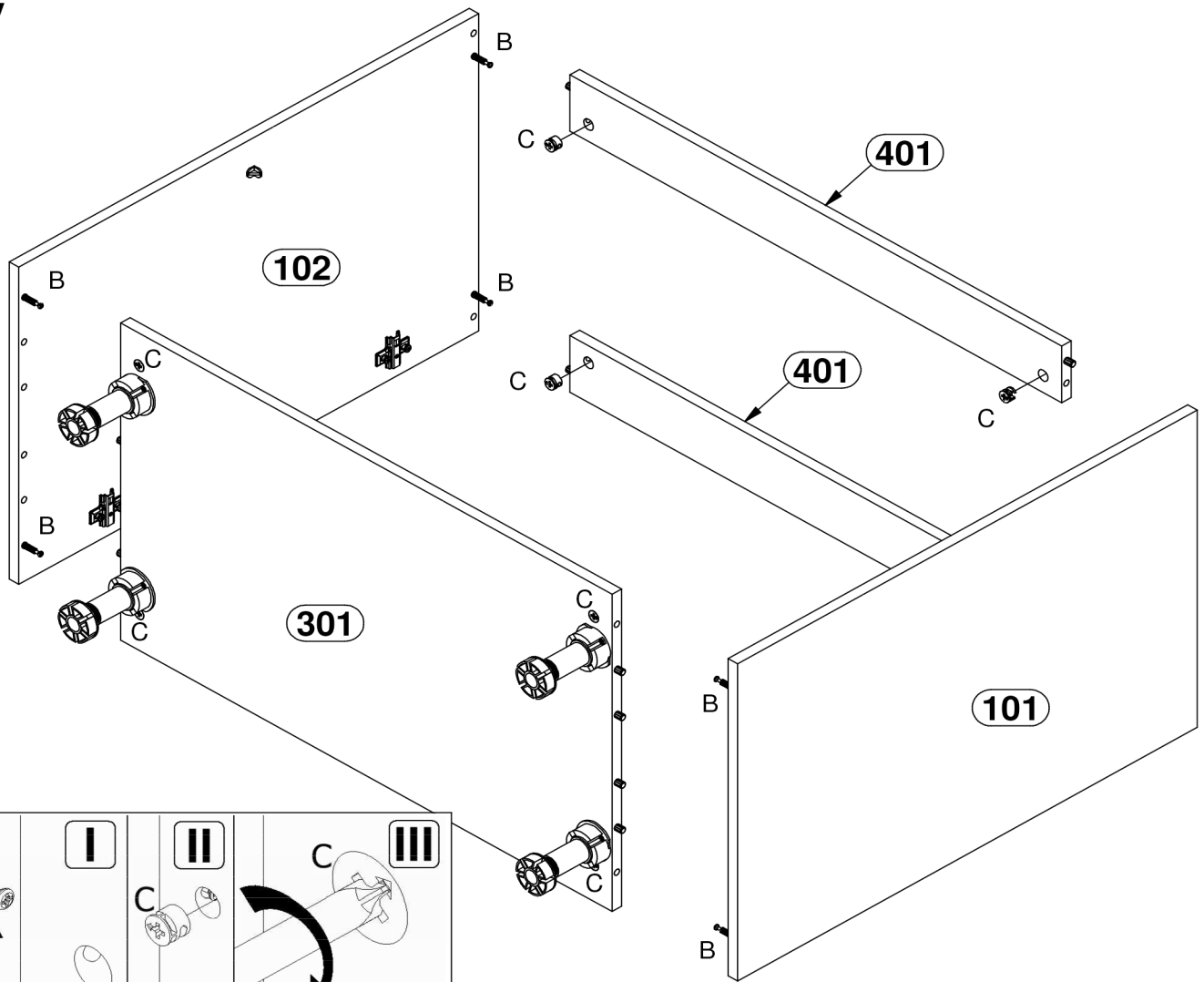
2



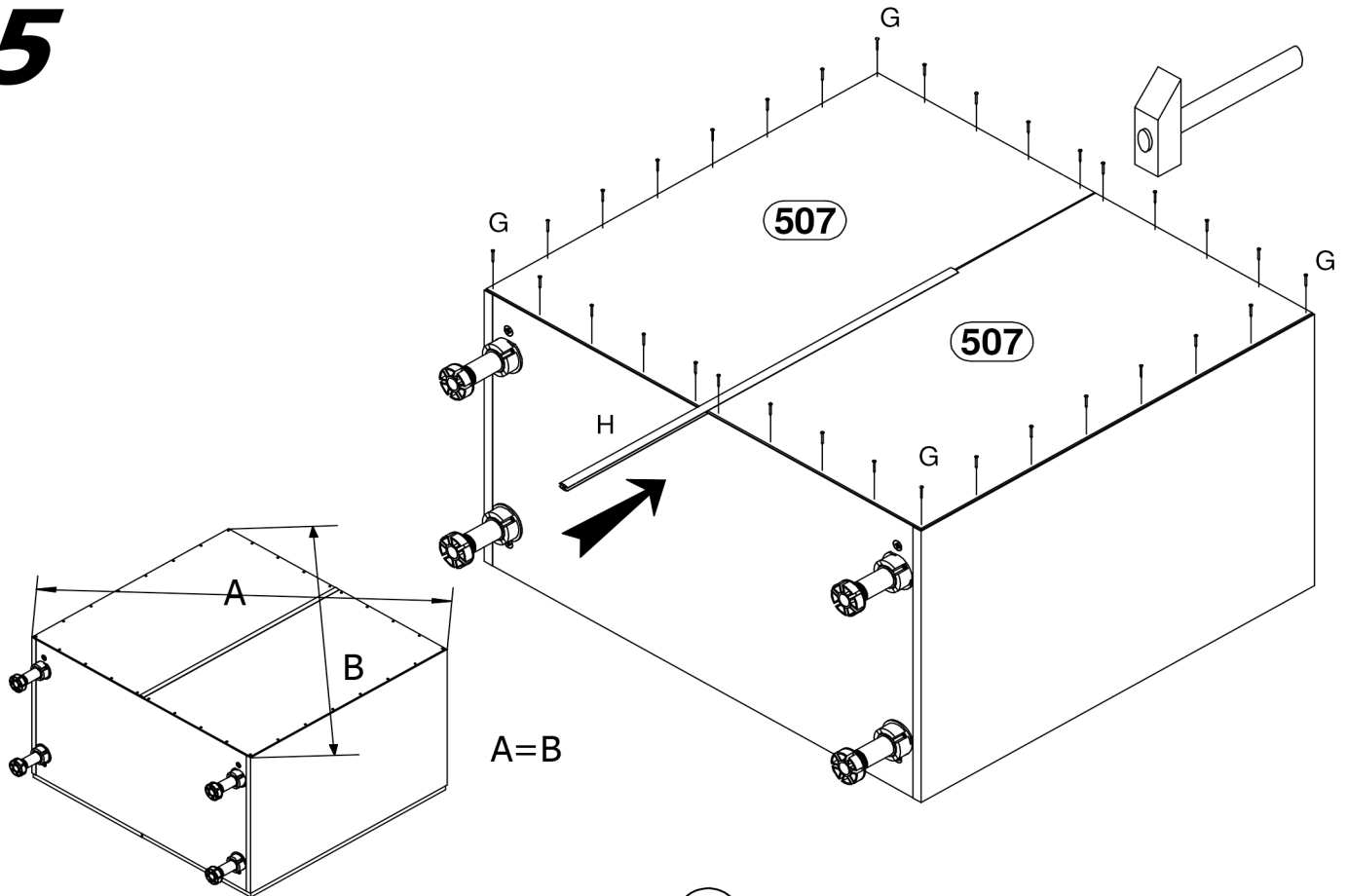
3



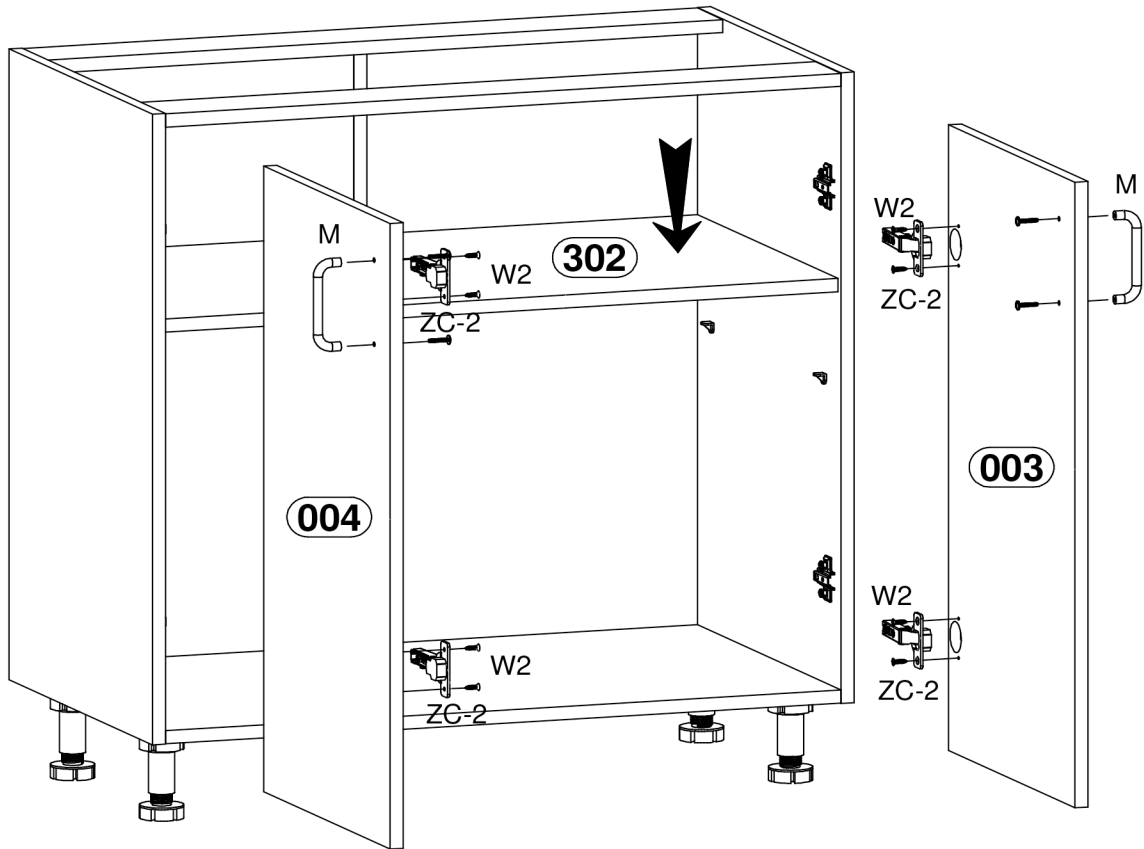
4



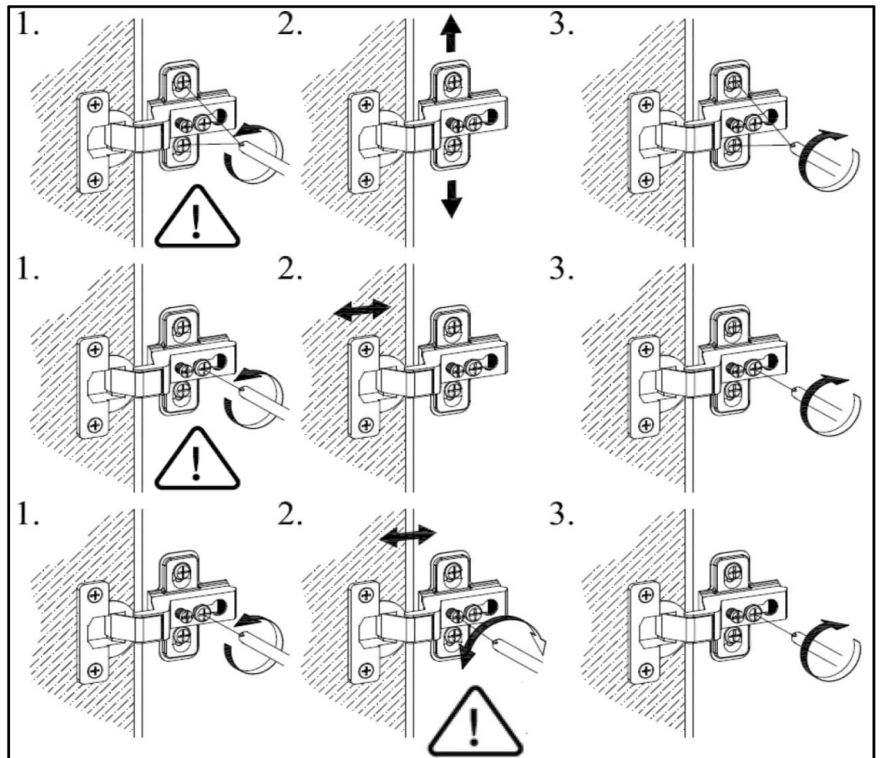
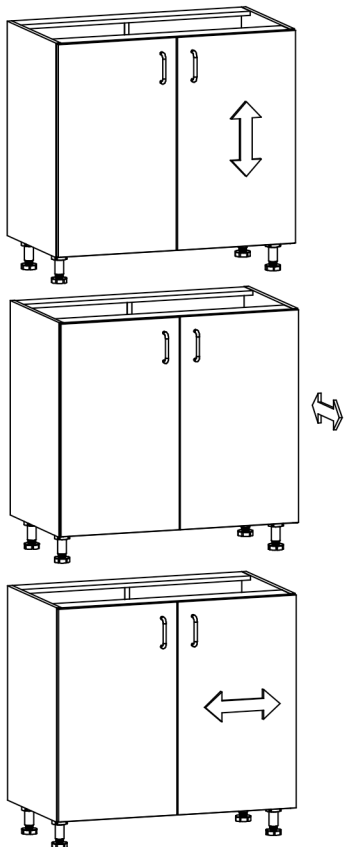
5

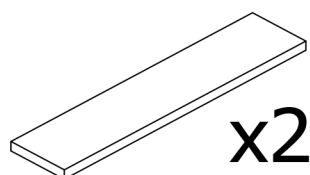
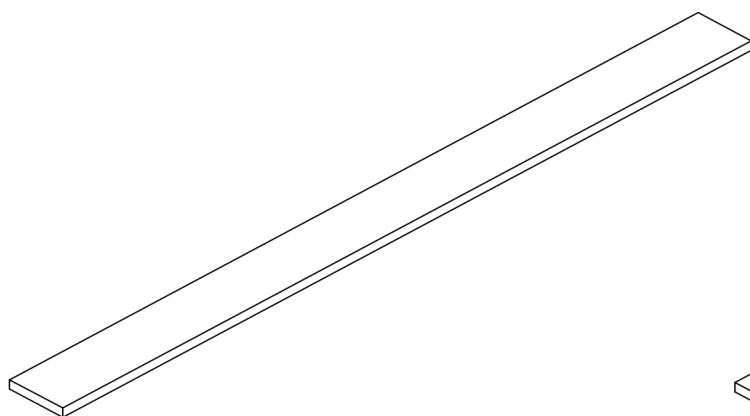
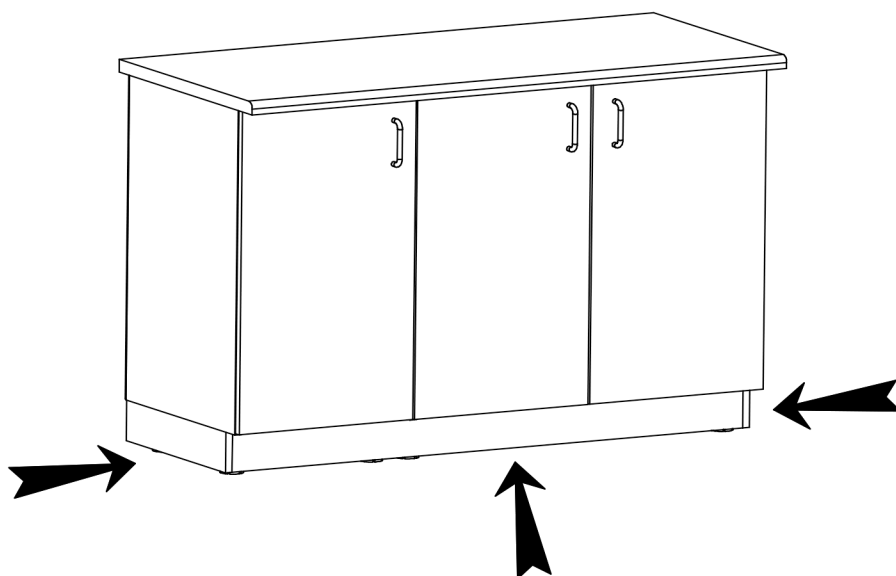


6



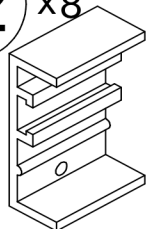
7



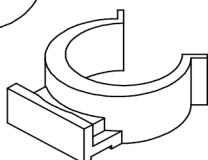


x2

L2 x8



L3 x8

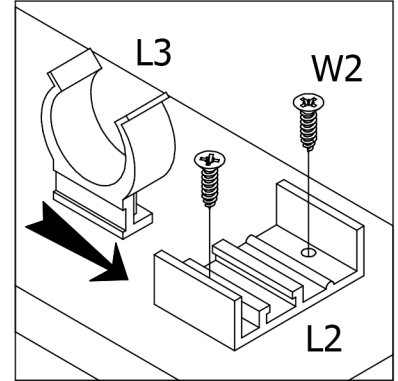
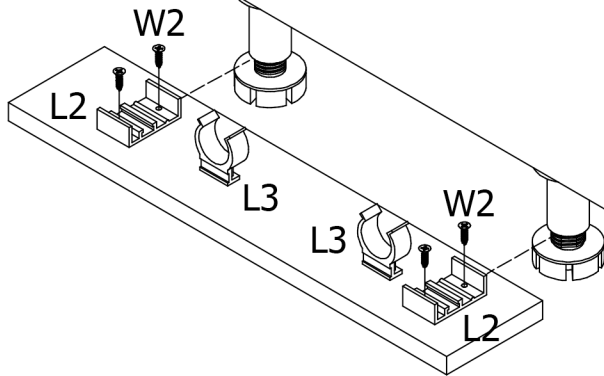


W2 x16



Ø3,5x16

8



9

