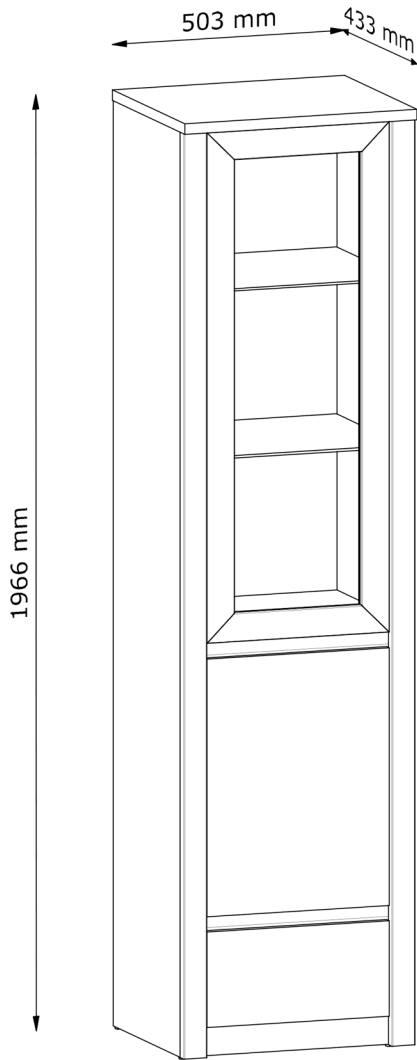
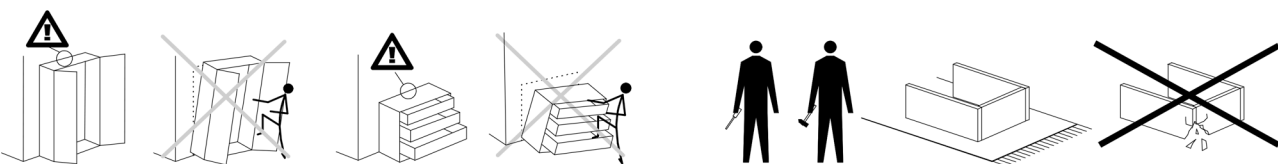
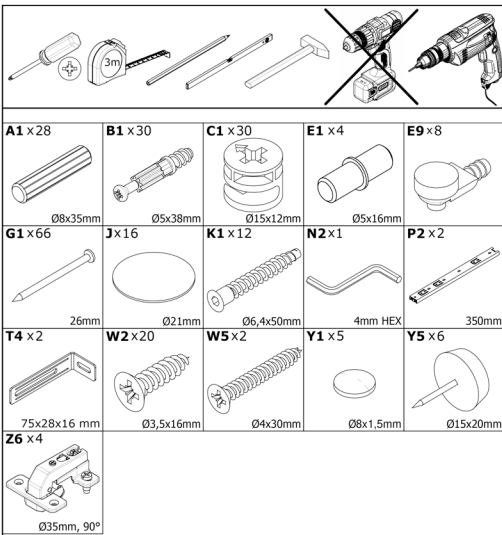
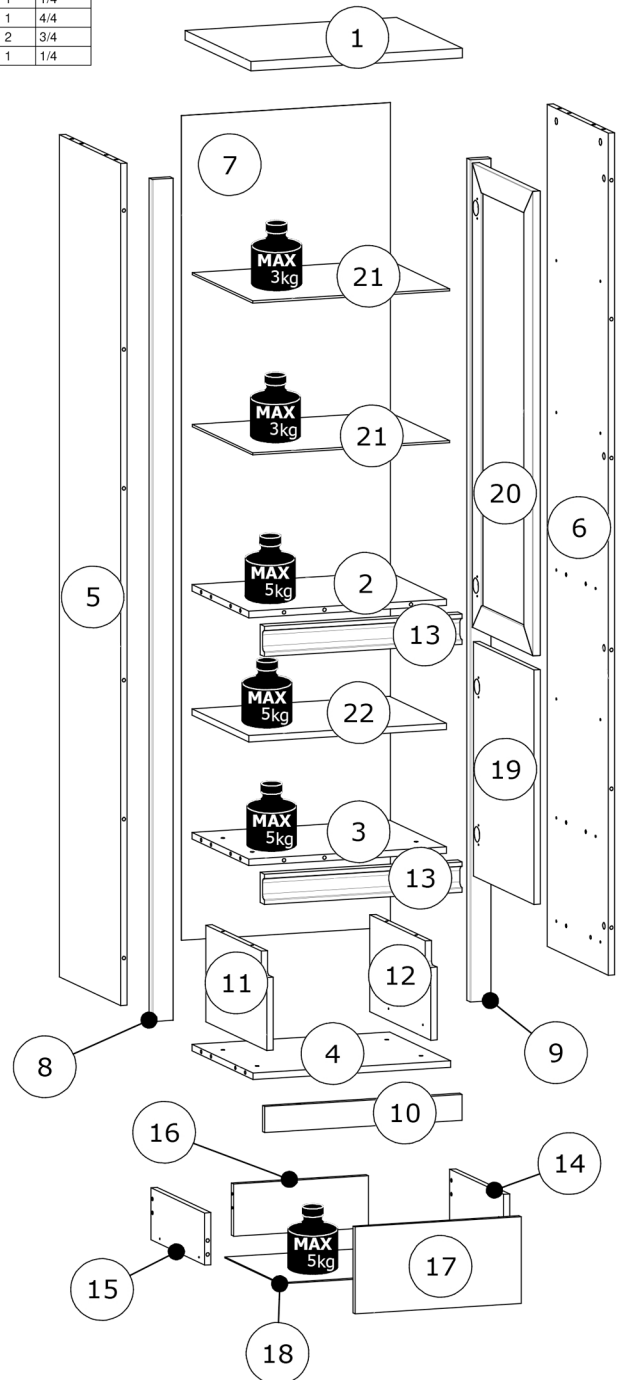


MONTANA

W1D

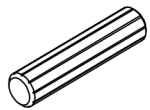


No.	L[mm]	W[mm]	H[mm]	PCS	BOX
1	503	430	22	1	2/4
2	470	371	15	1	1/4
3	470	371	15	1	2/4
4	470	400	15	1	2/4
5	1940	400	15	1	1/4
6	1940	400	15	1	1/4
7	1900	497	2,5	1	1/4
8	1940	50	22	1	1/4
9	1940	50	22	1	1/4
10	469	60	15	1	2/4
11	399	223	15	1	2/4
12	399	223	15	1	2/4
13	470	70	28	2	2/4
14	350	120	15	1	1/4
15	350	120	15	1	1/4
16	321	120	15	1	2/4
17	395	200	15	1	1/4
18	358	349	2,5	1	2/4
19	395	540	15	1	1/4
20	1070	395	18	1	4/4
21	468	395	5	2	3/4
22	470	371	15	1	1/4



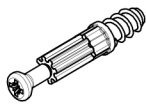
1

A1 x 8

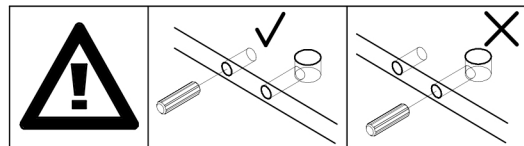
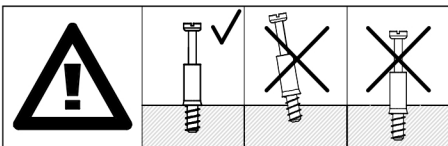
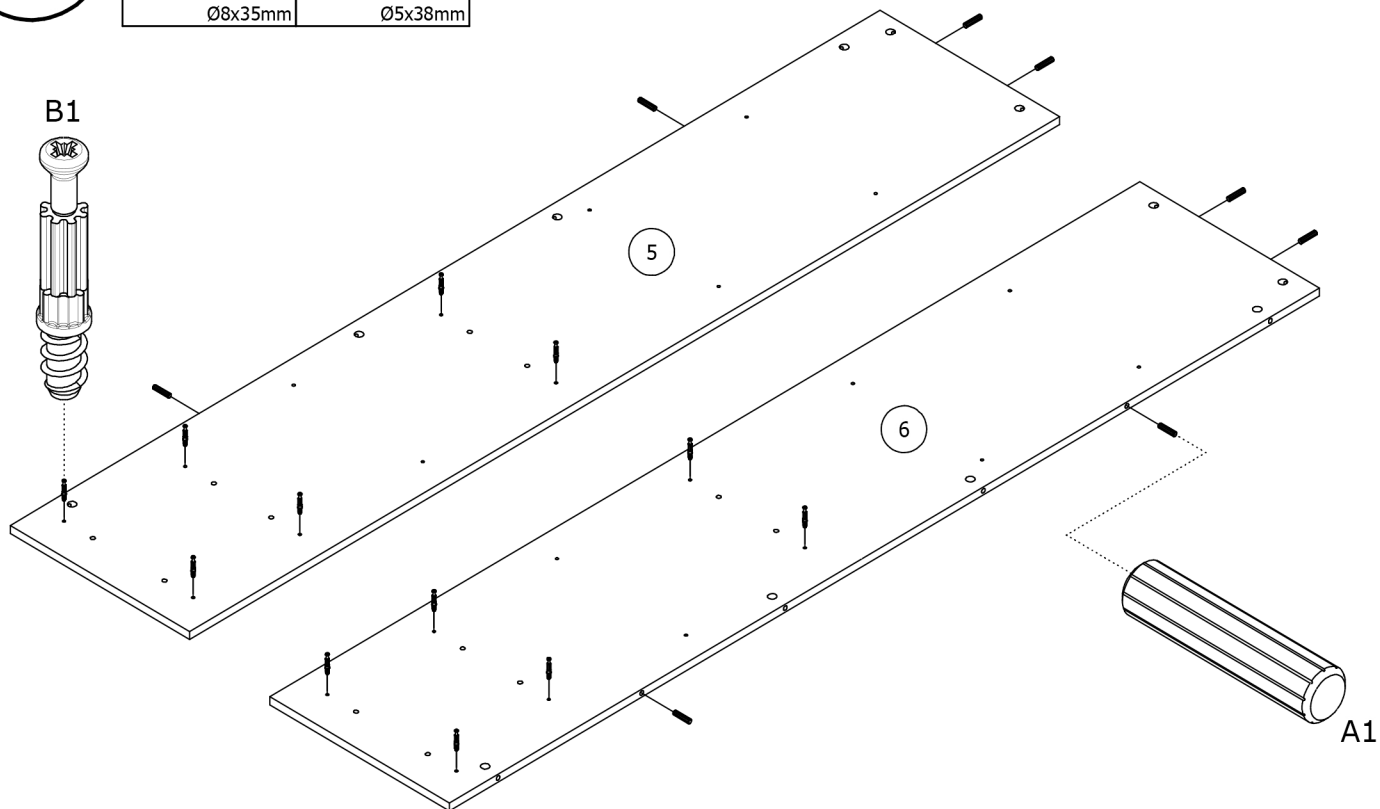
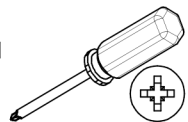
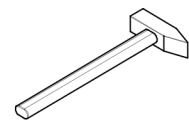


Ø8x35mm

B1 x 12

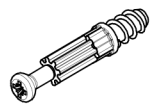


Ø5x38mm

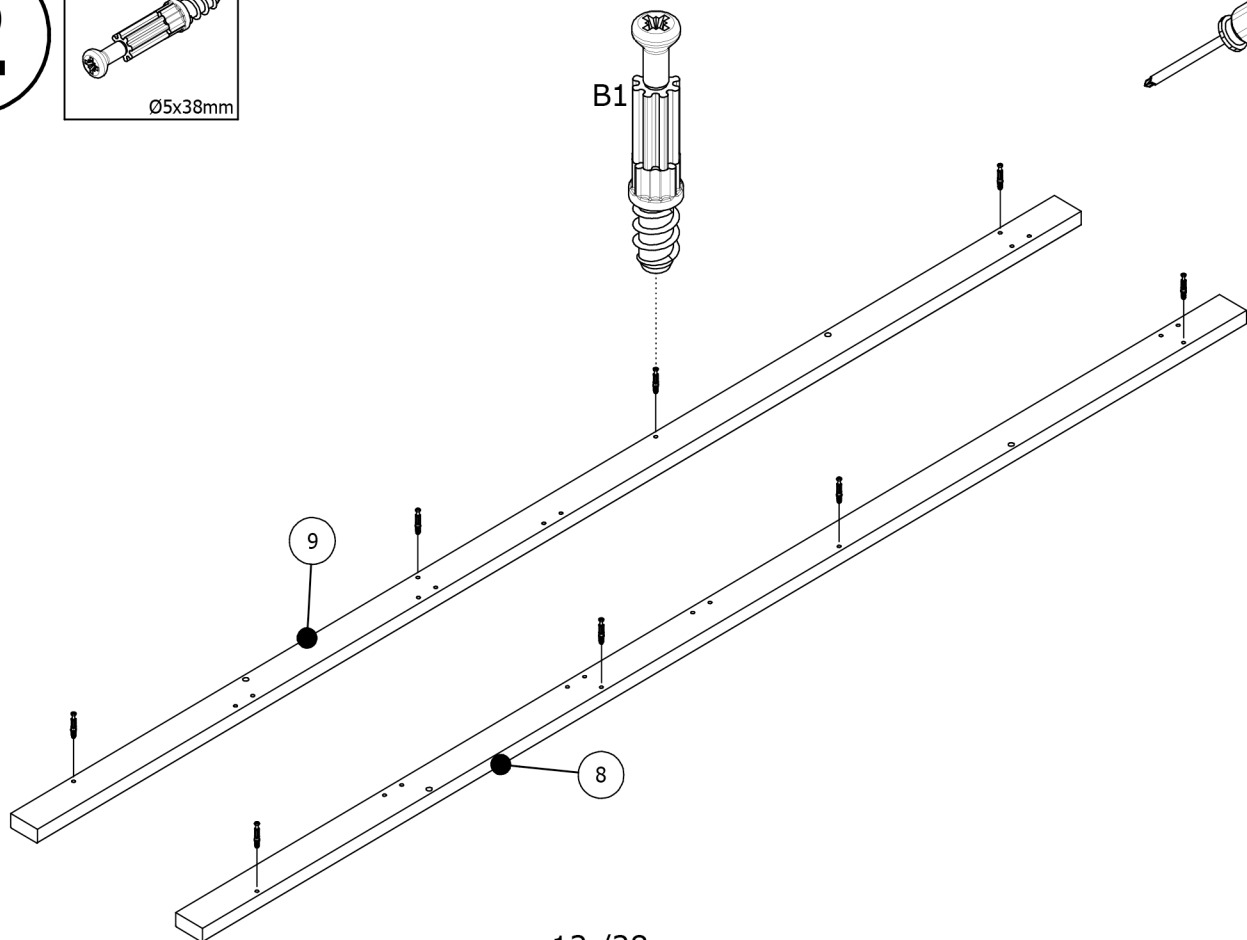
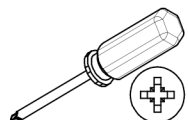


2

B1 x 8

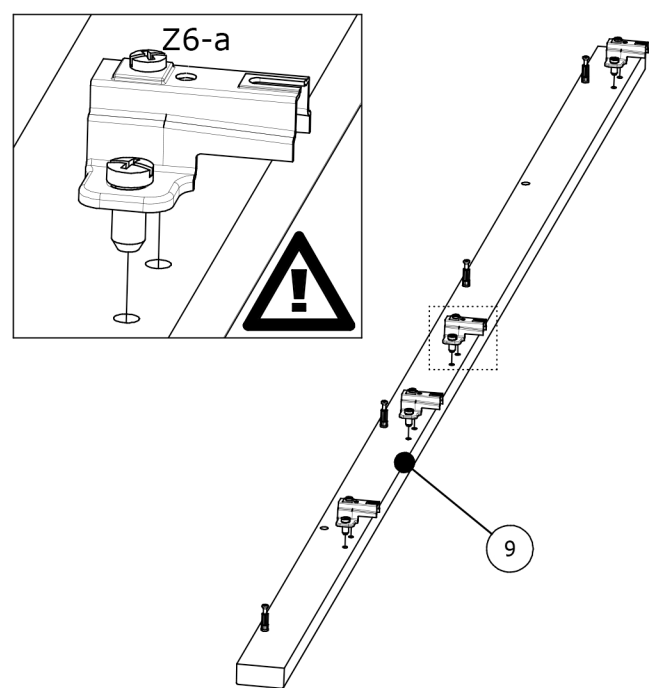
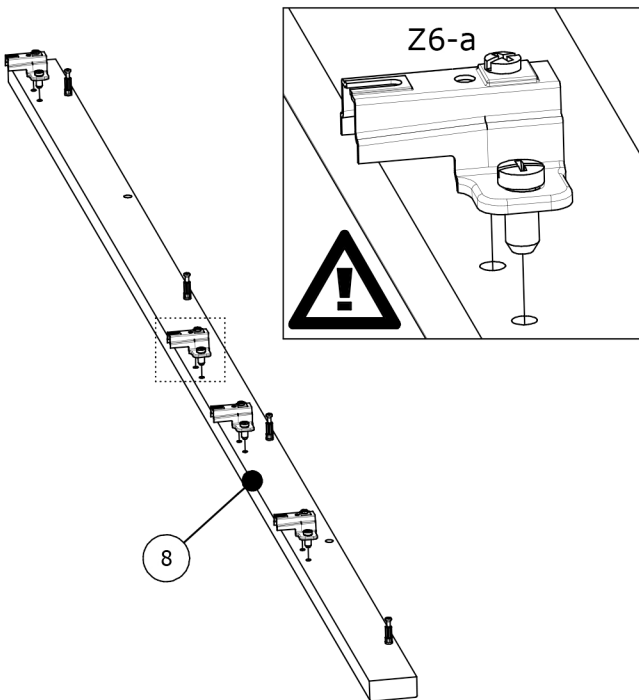
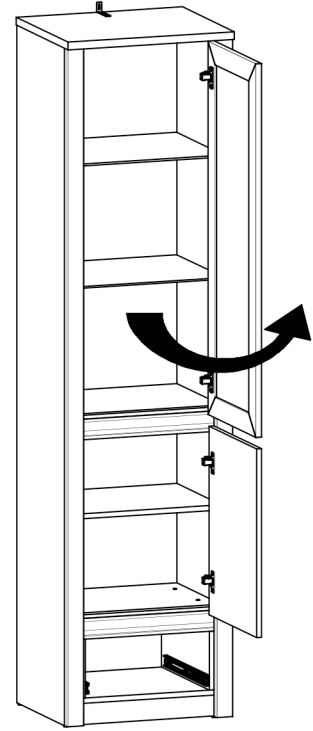
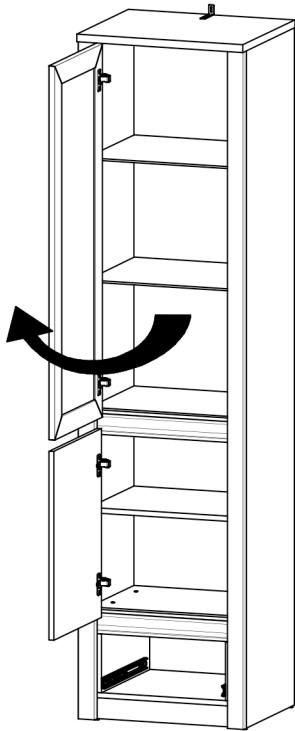
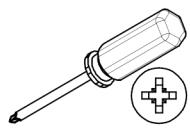
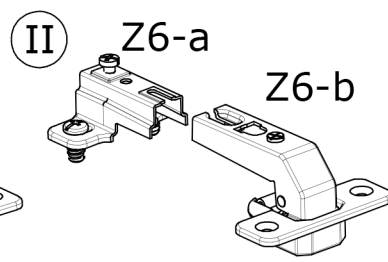
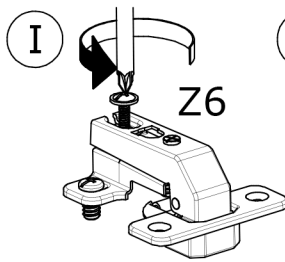


Ø5x38mm

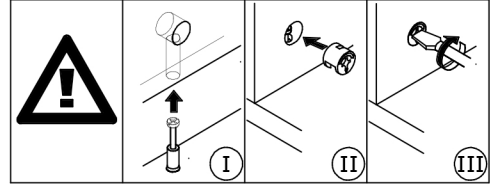
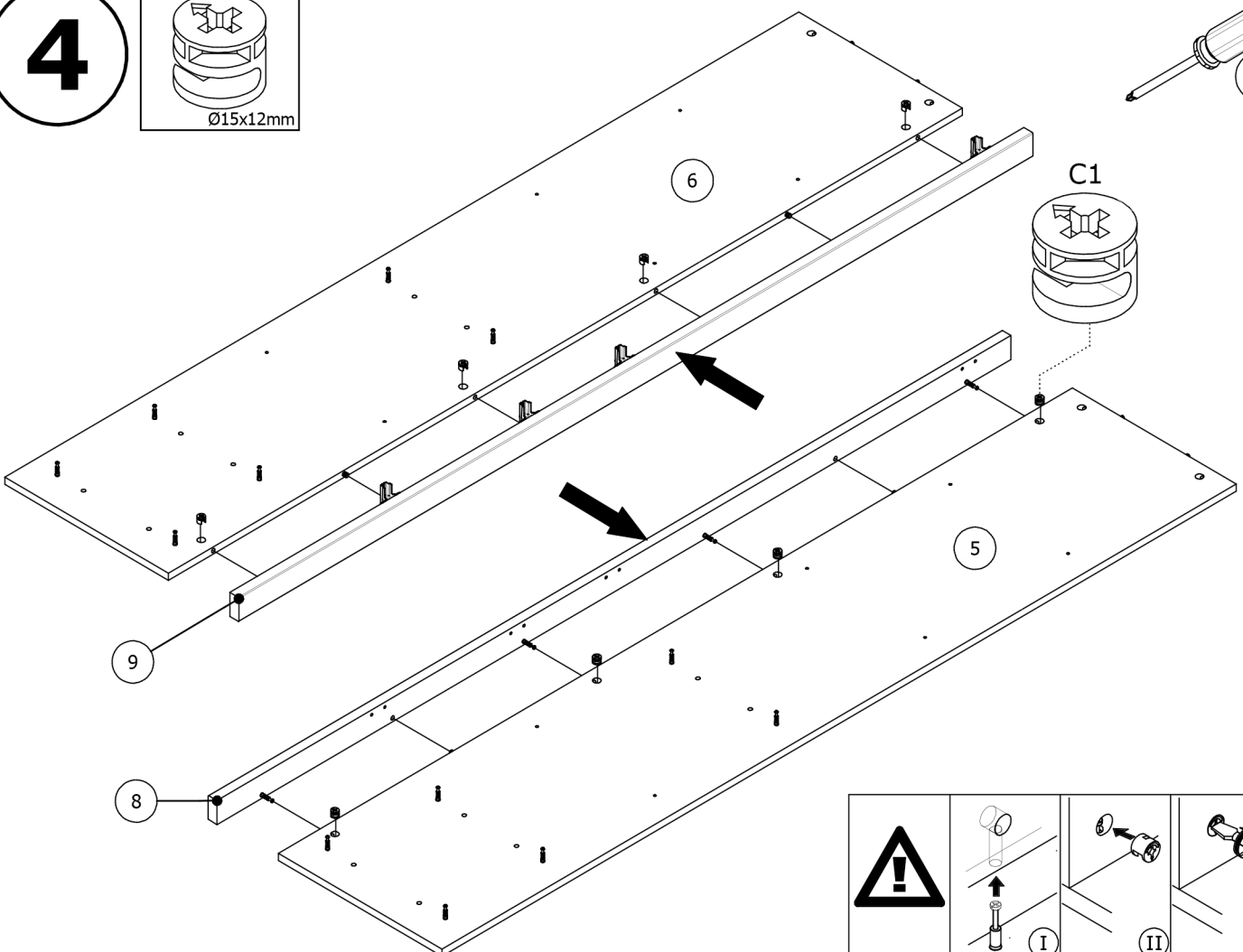
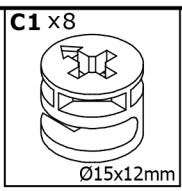


3

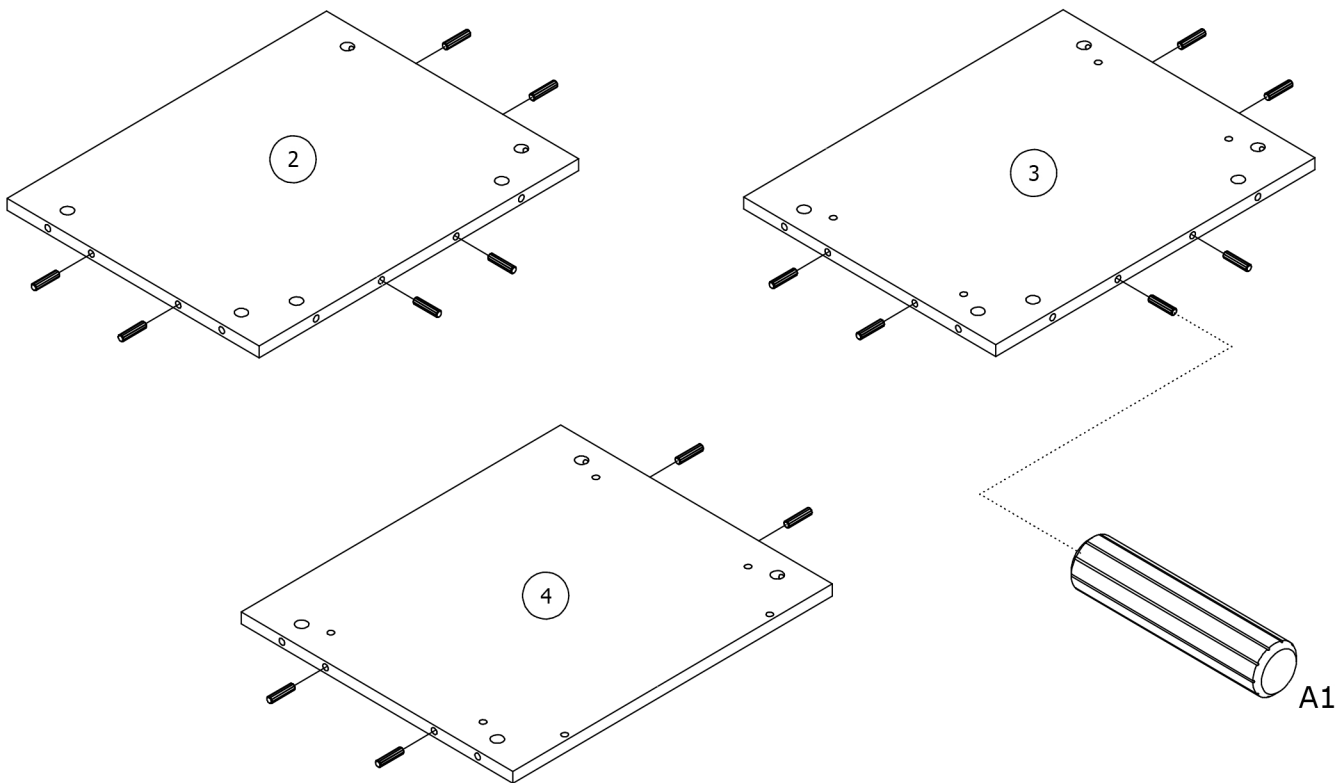
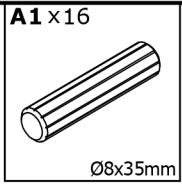
Z6 x4
Ø35mm, 90°



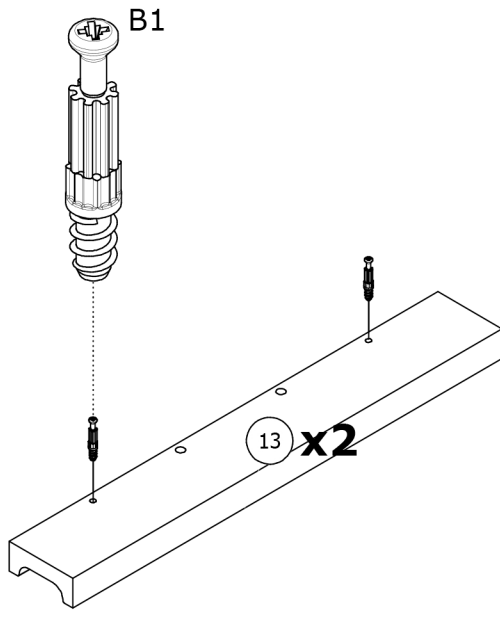
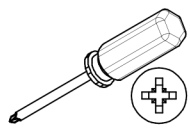
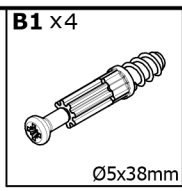
4



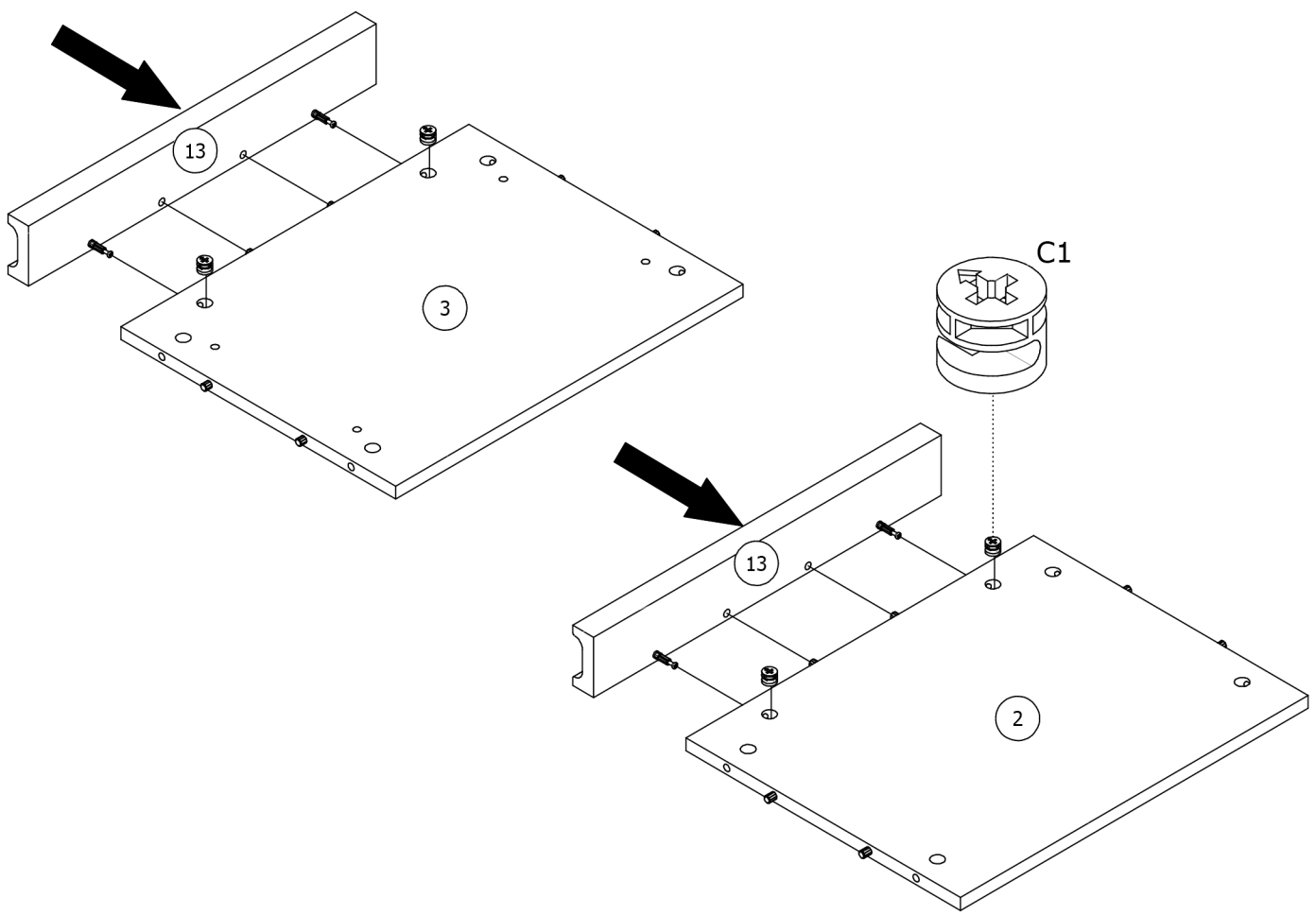
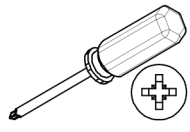
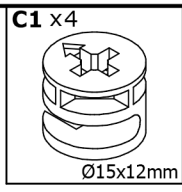
5



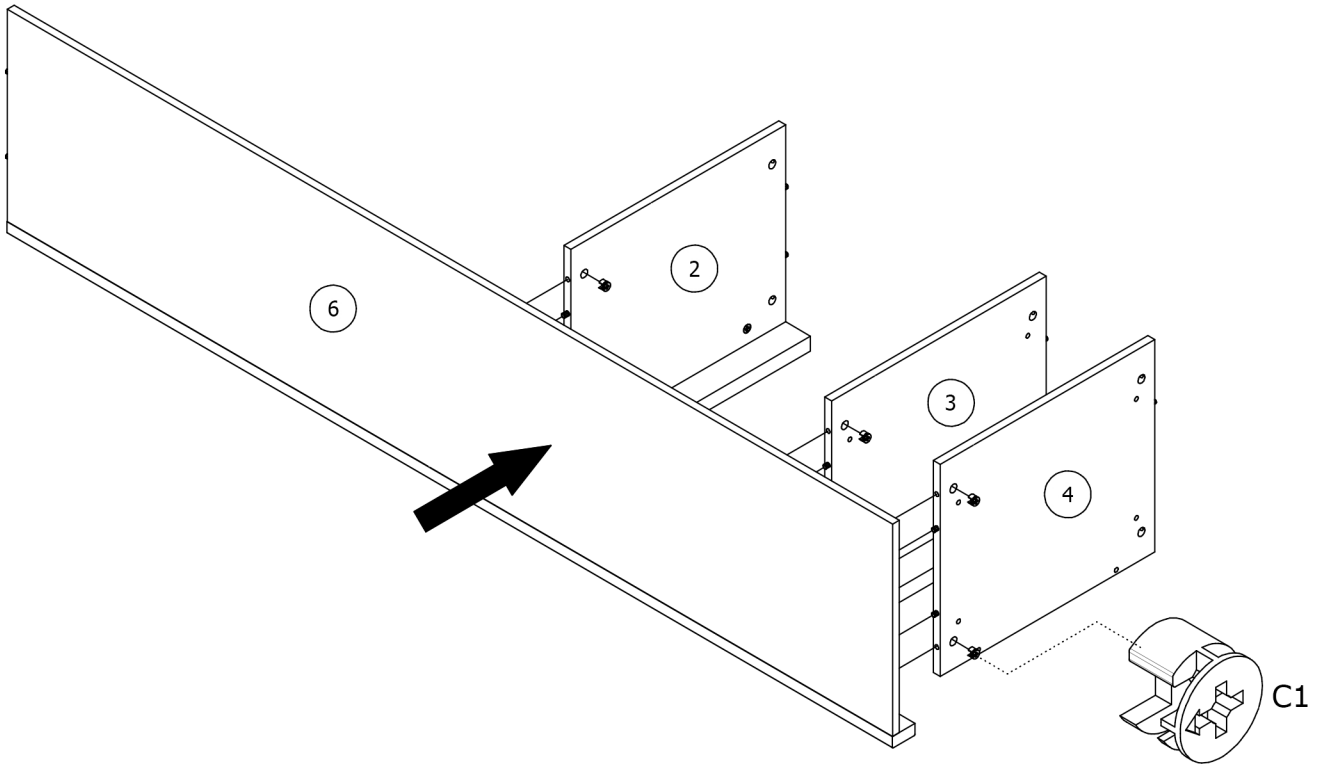
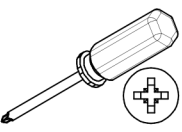
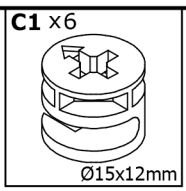
6



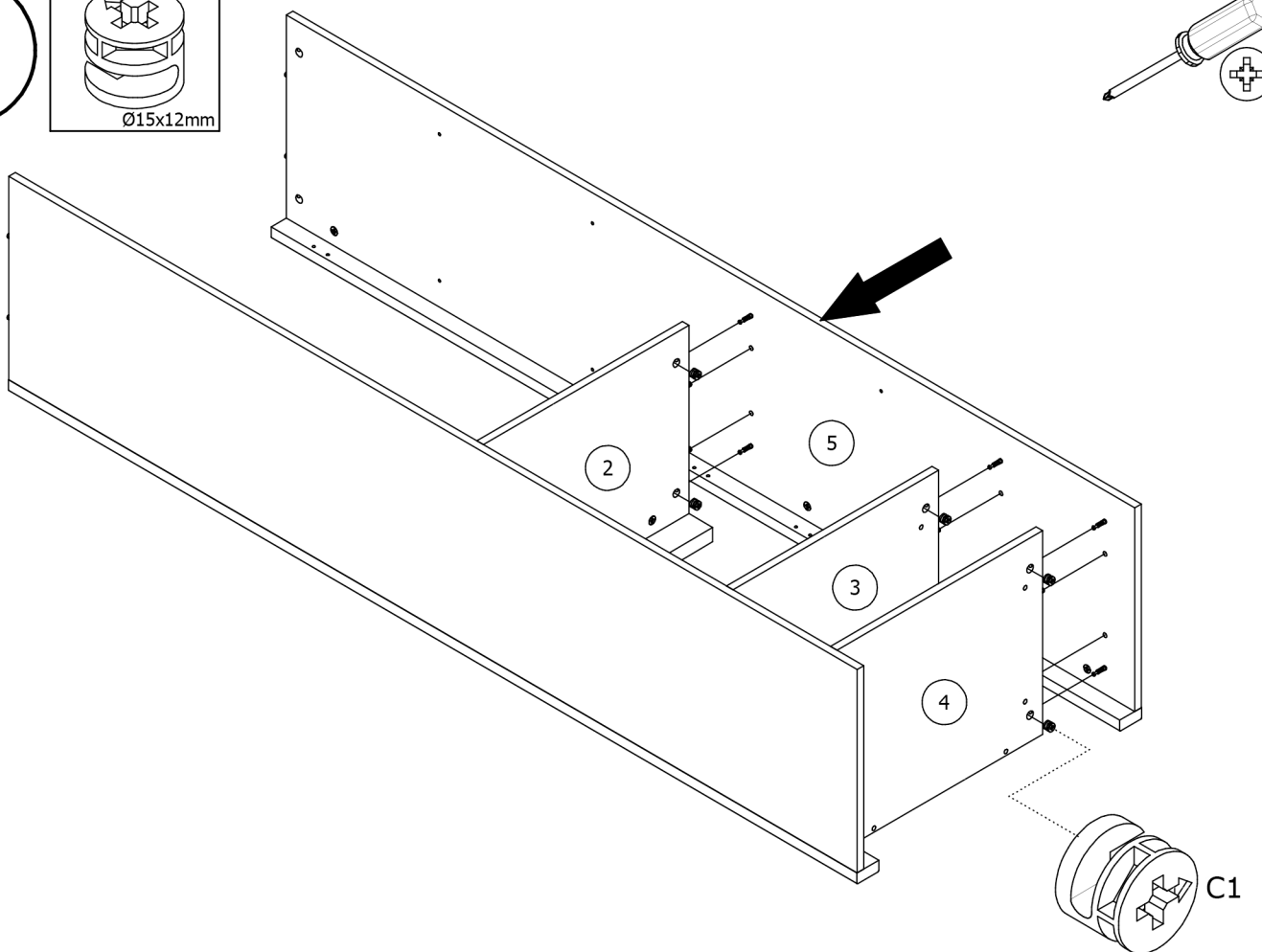
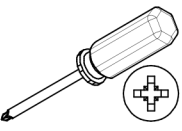
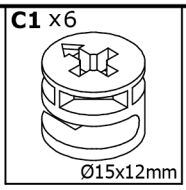
7



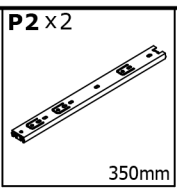
8



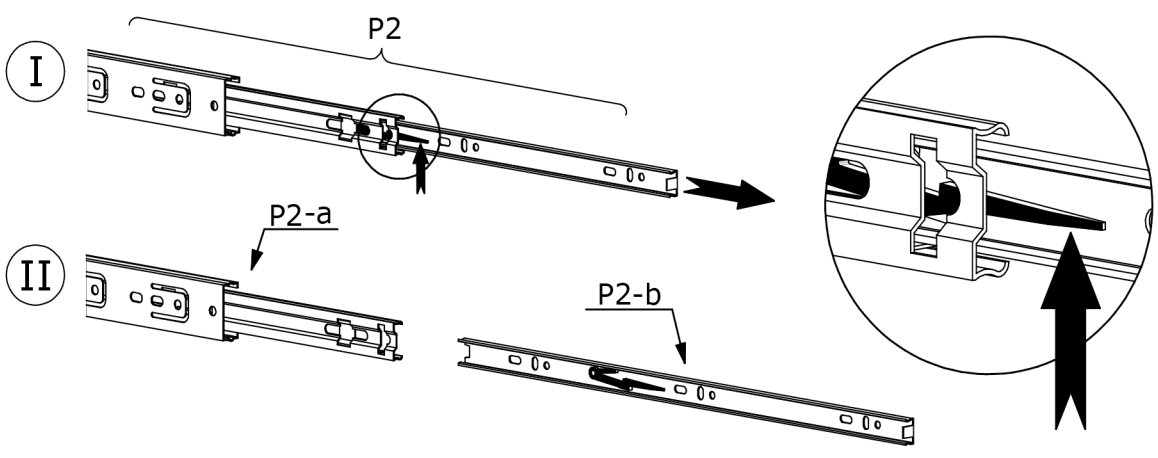
9



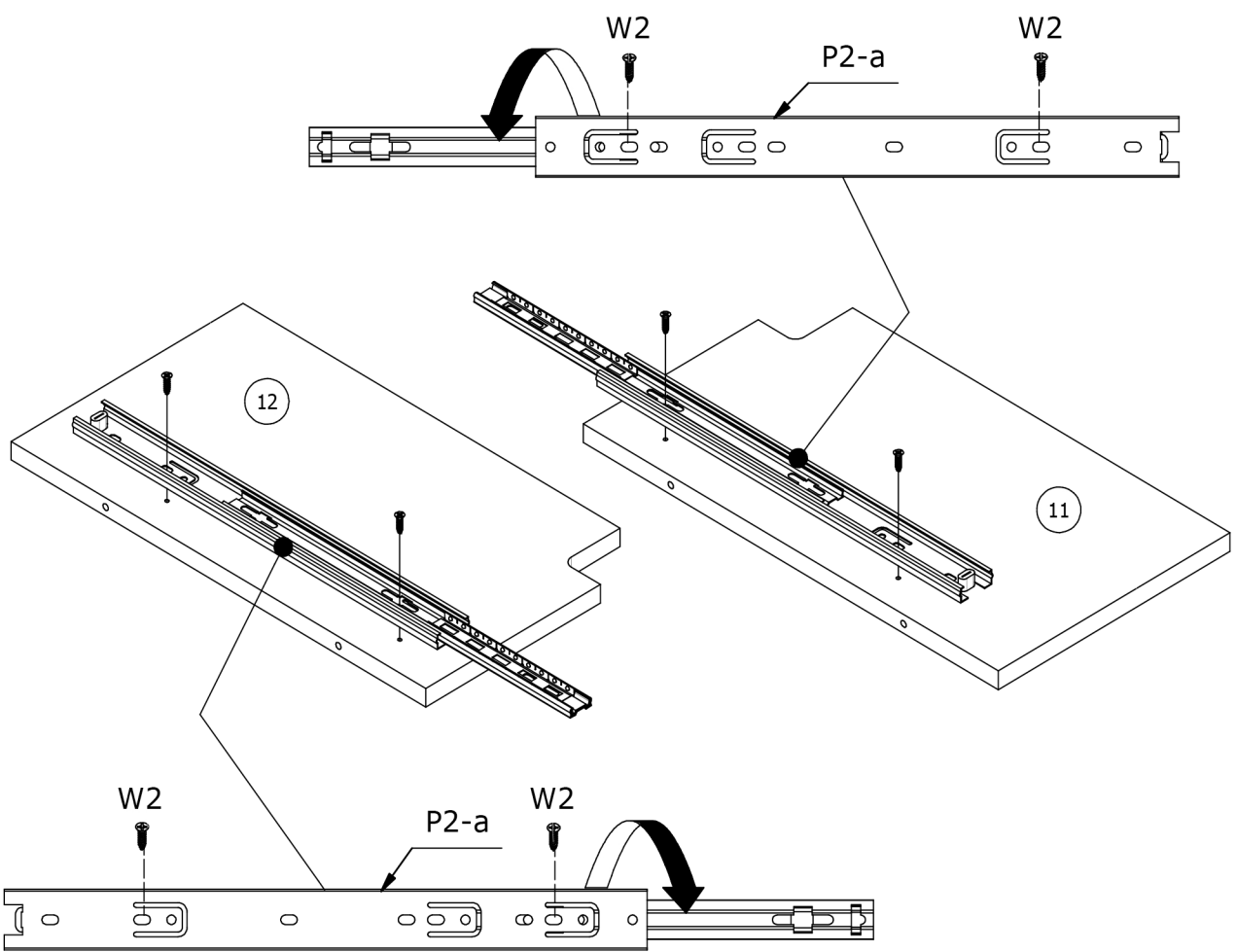
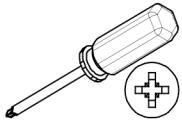
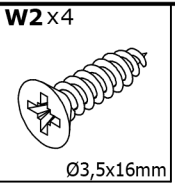
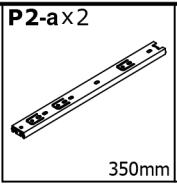
10



P2 = P2-a + P2-b

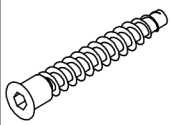


11



12

K1 x 8

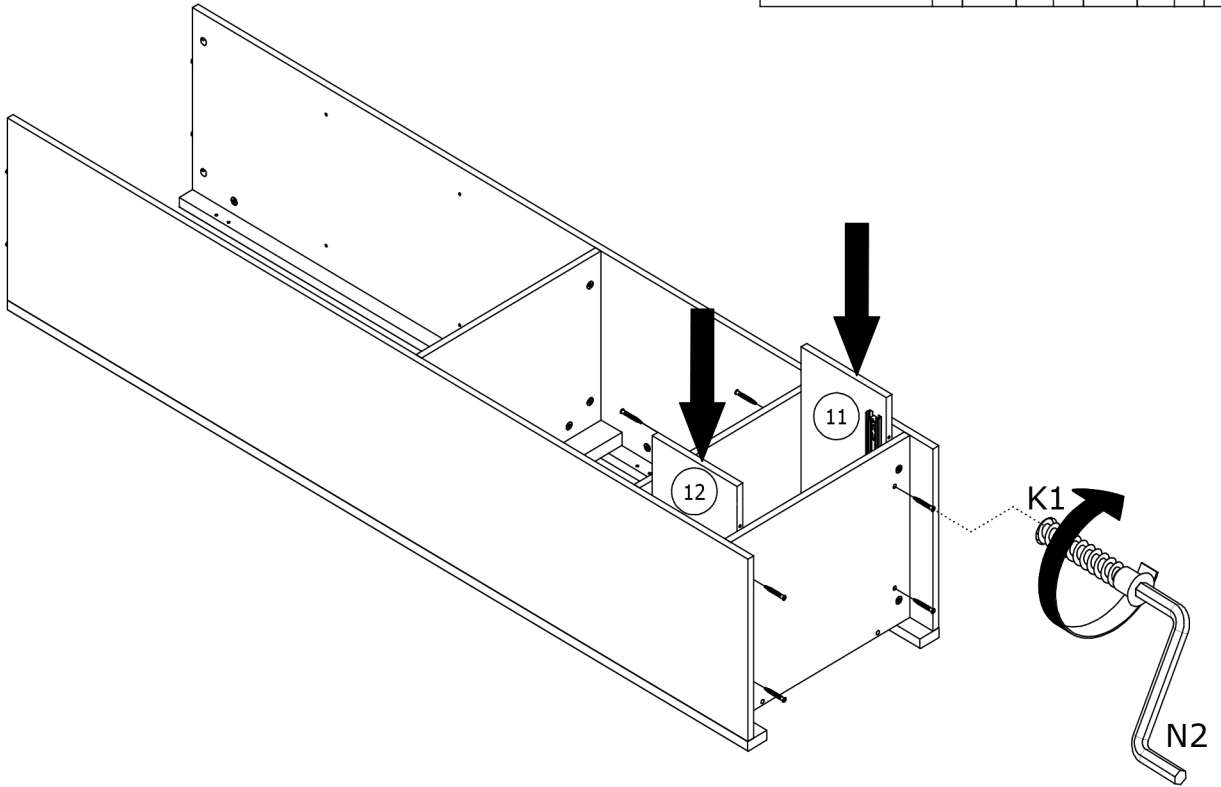
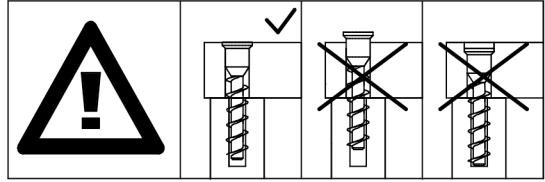


Ø6,4x50mm

N2 x 1

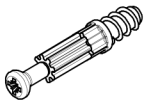


4mm HEX

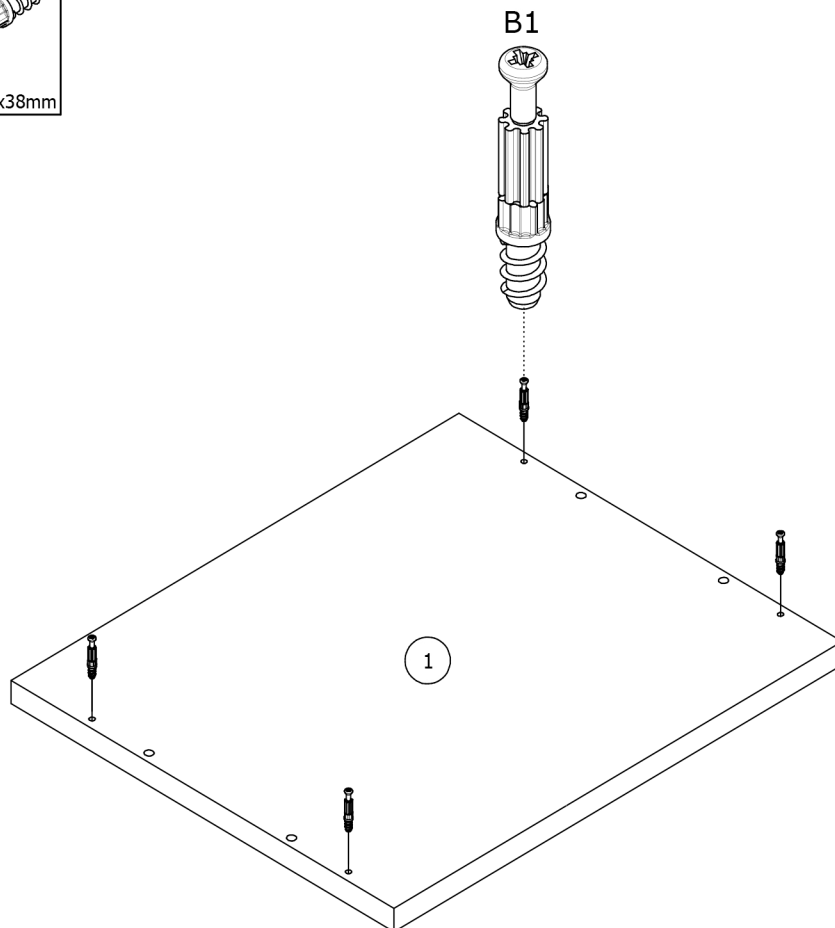


13

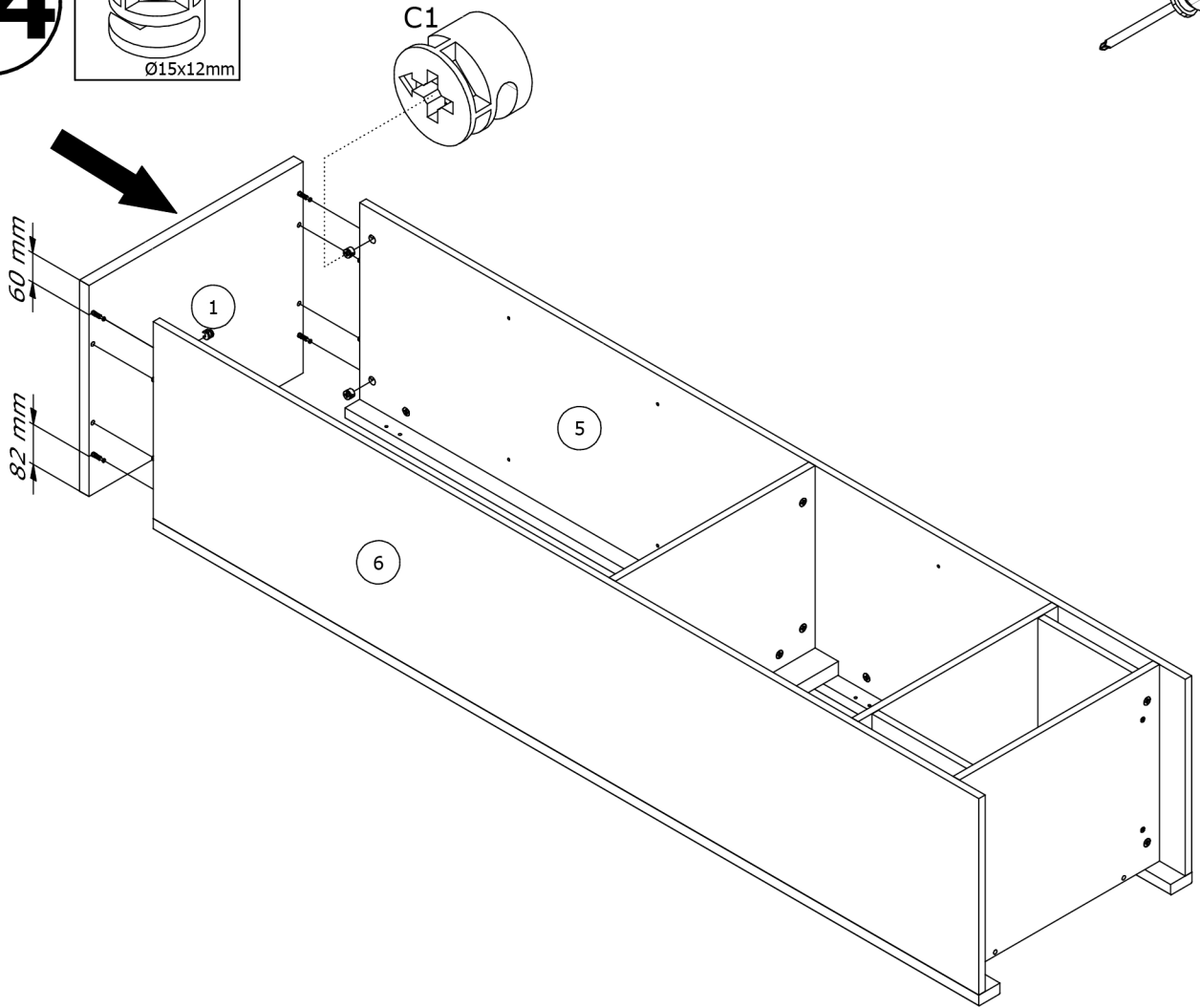
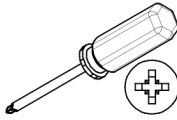
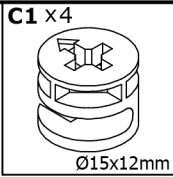
B1 x 4



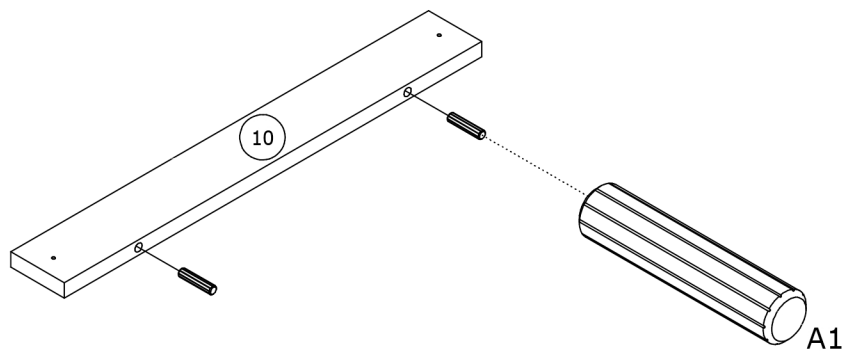
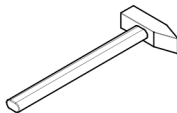
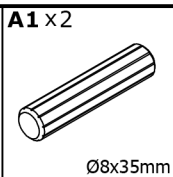
Ø5x38mm



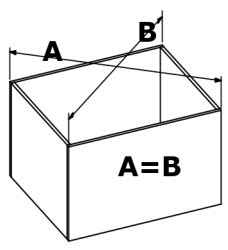
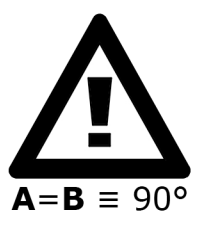
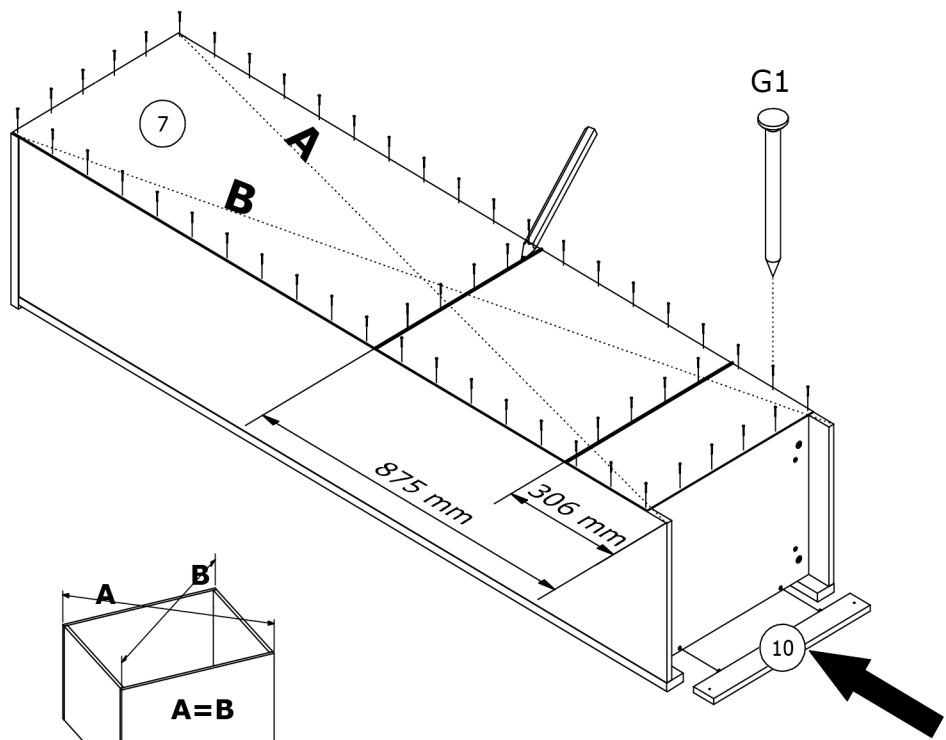
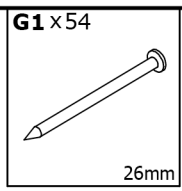
14



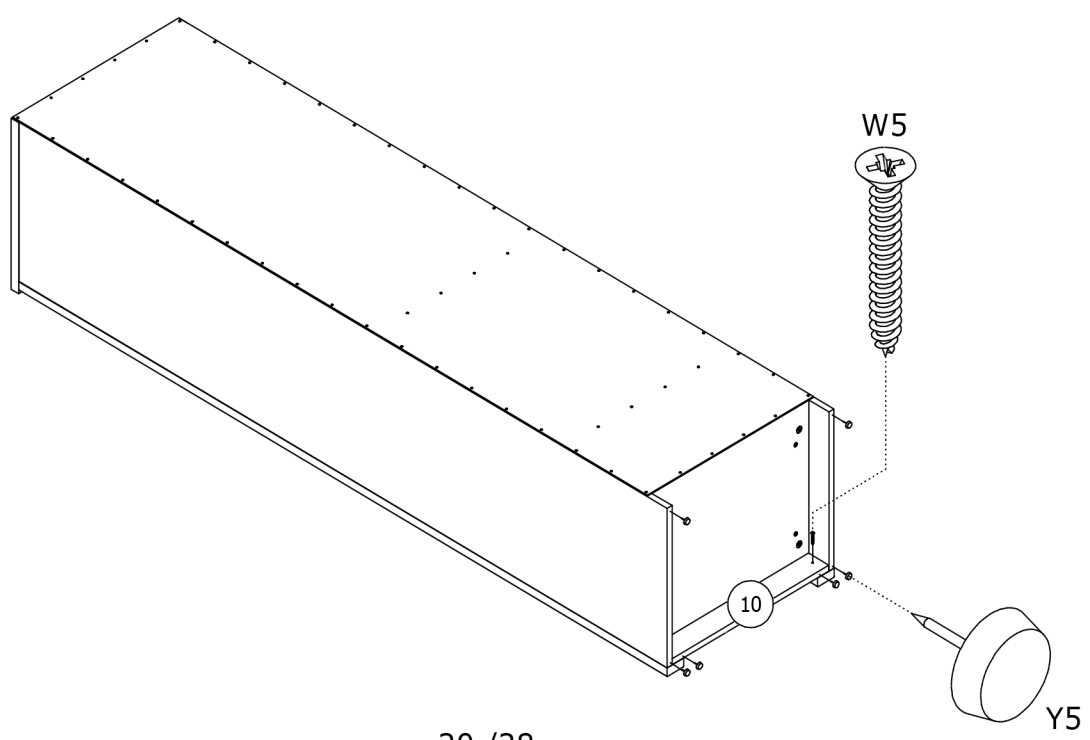
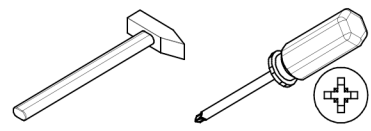
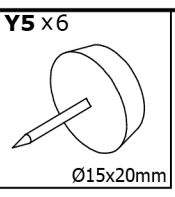
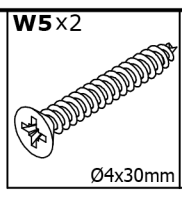
15



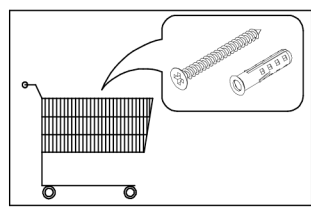
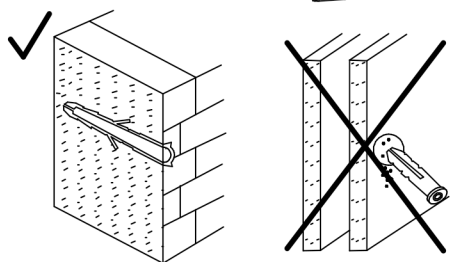
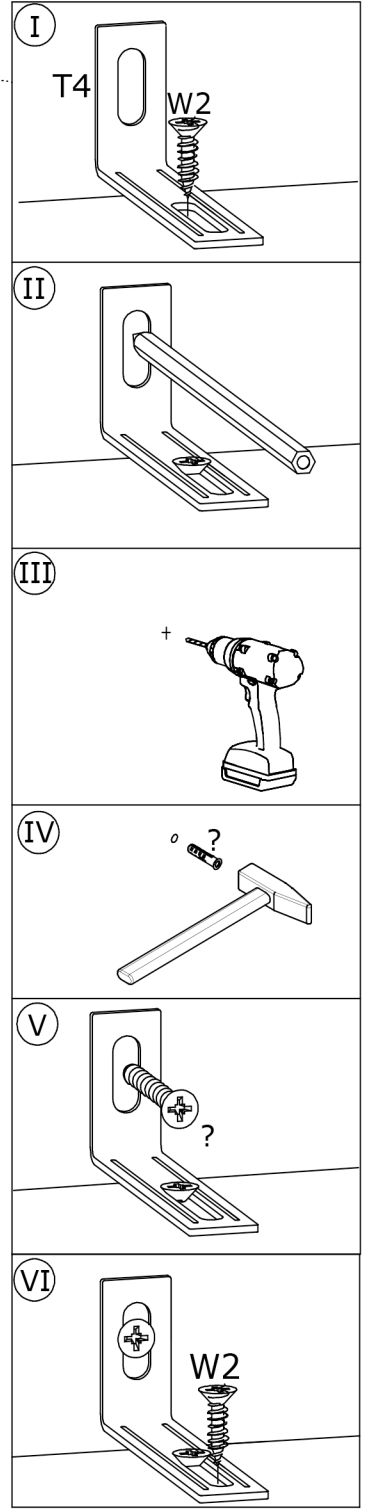
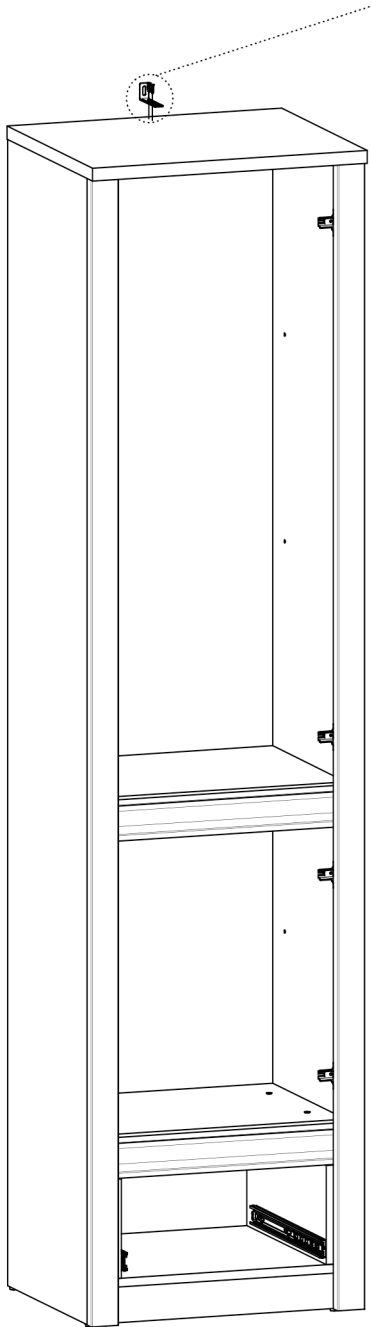
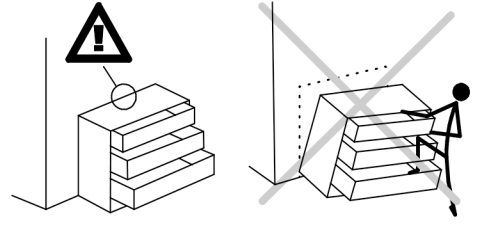
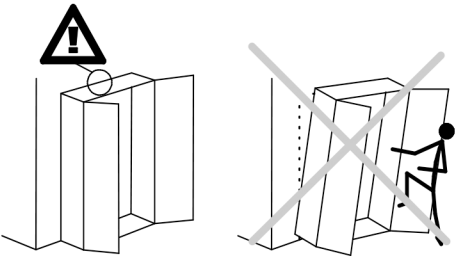
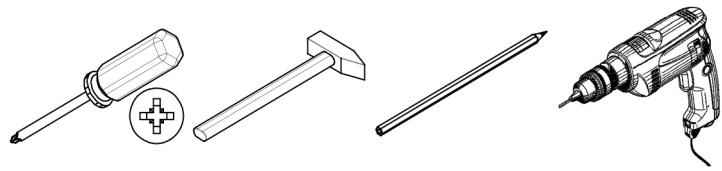
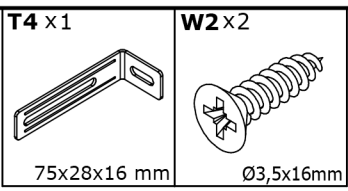
16



17

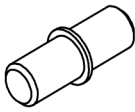


18



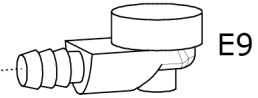
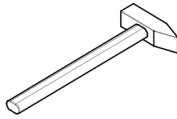
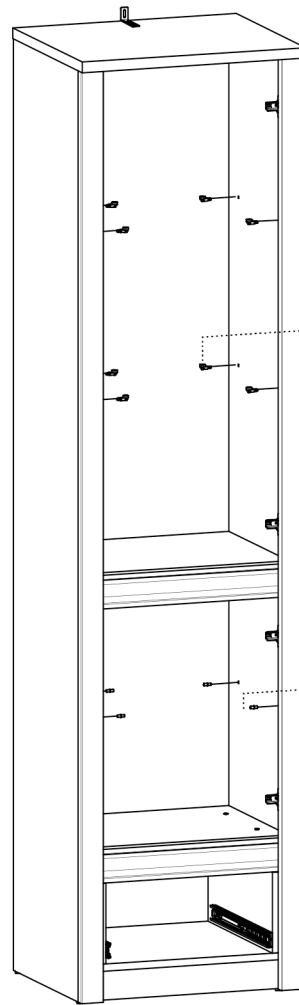
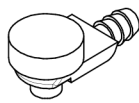
19

E1 x4

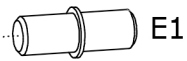


Ø5x16mm

E9 x8

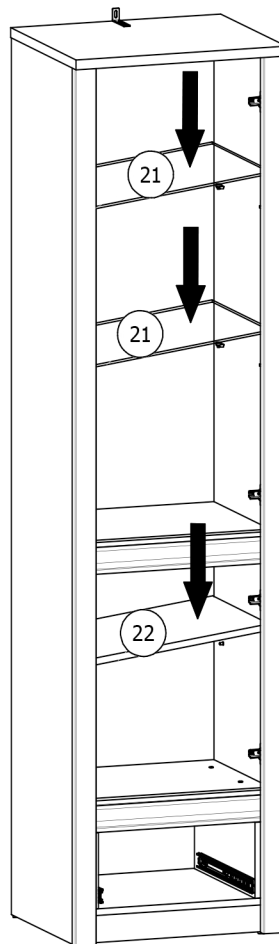


E9



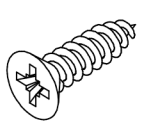
E1

20



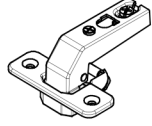
21

W2x8

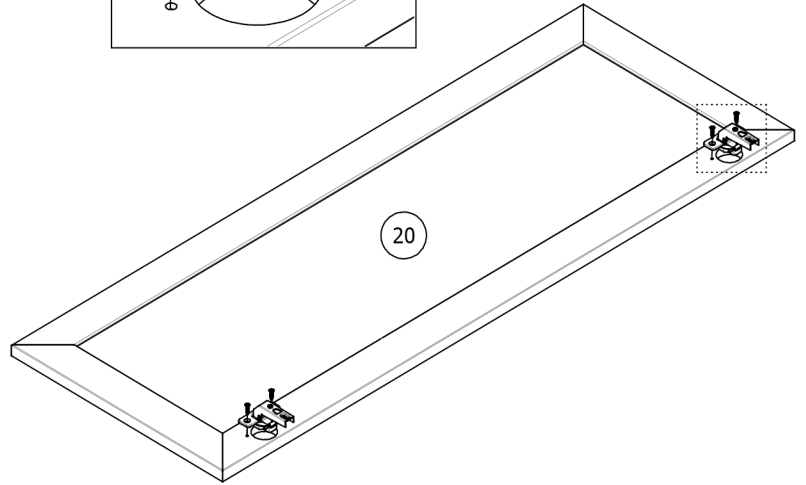
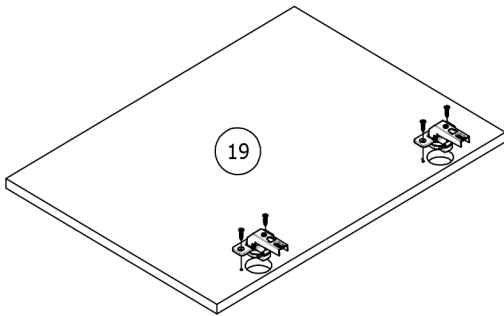
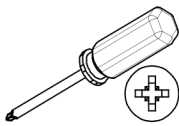
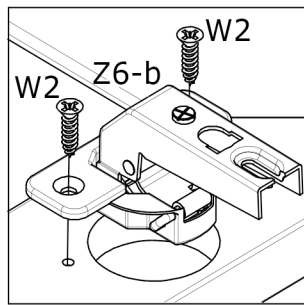


Ø3,5x16mm

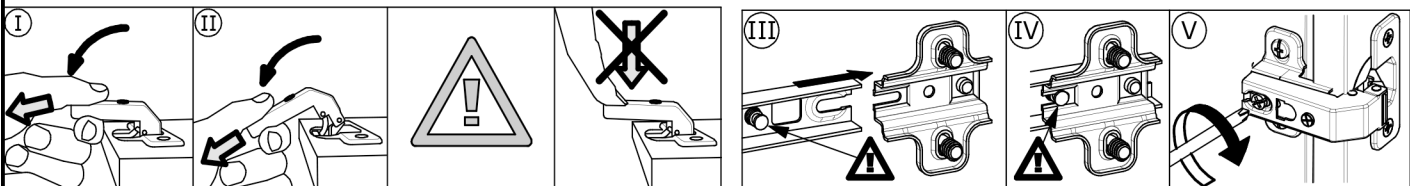
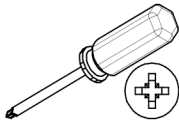
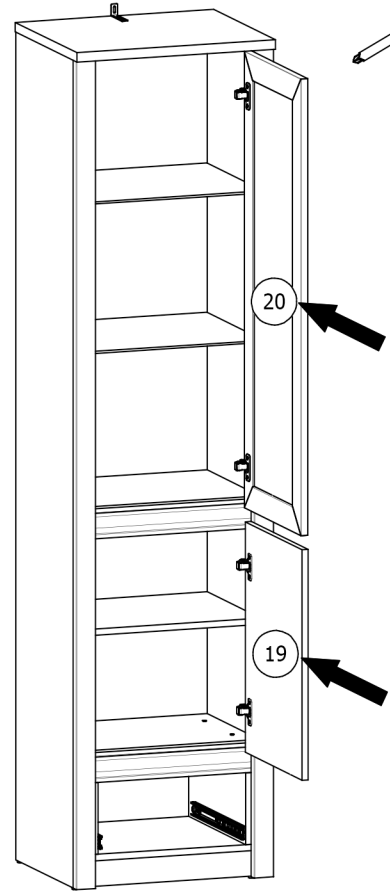
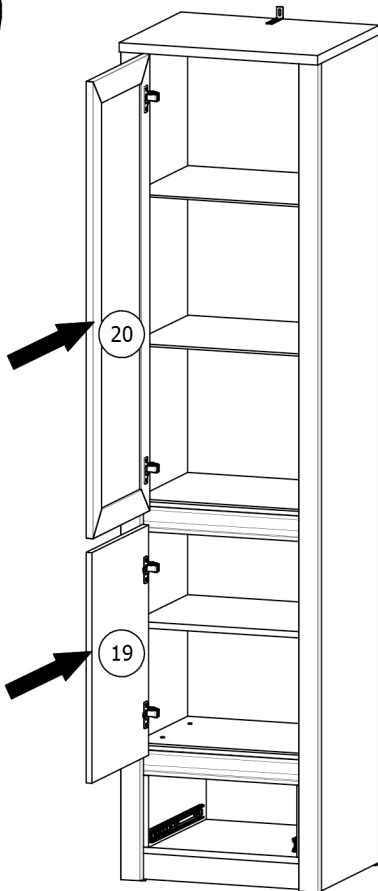
Z6-bx4



Ø35 mm, 90°

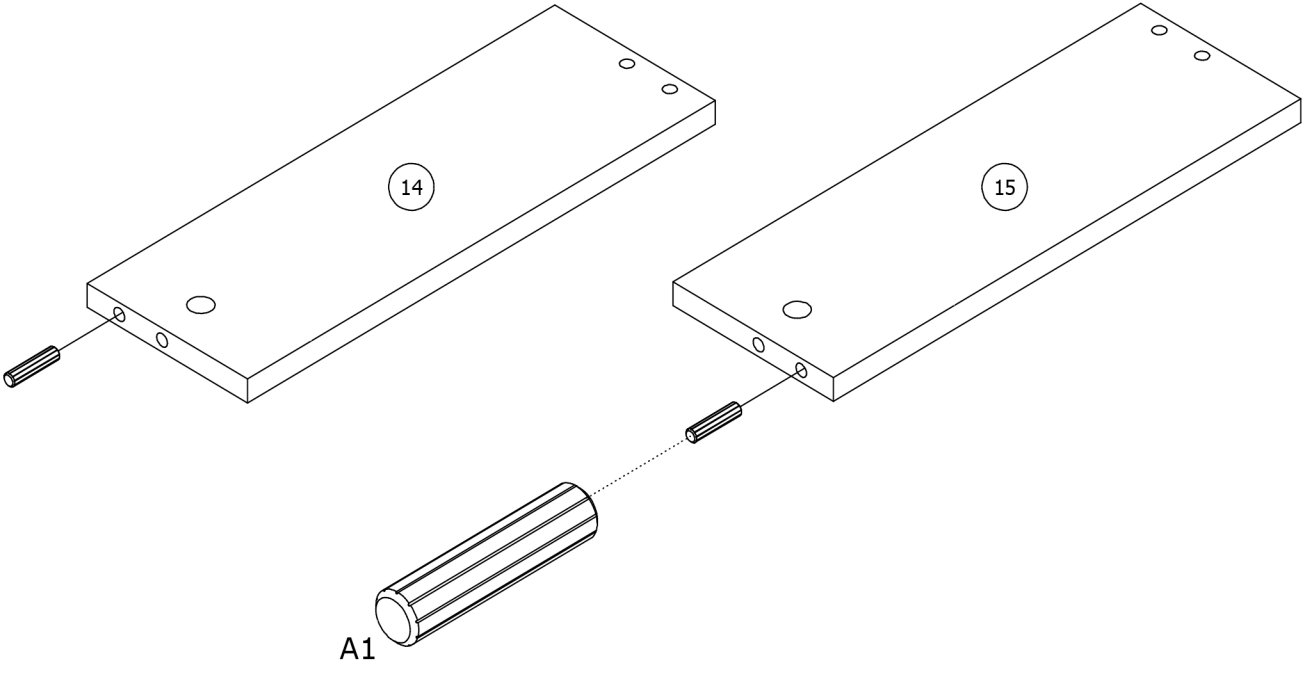
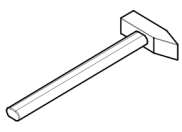


22



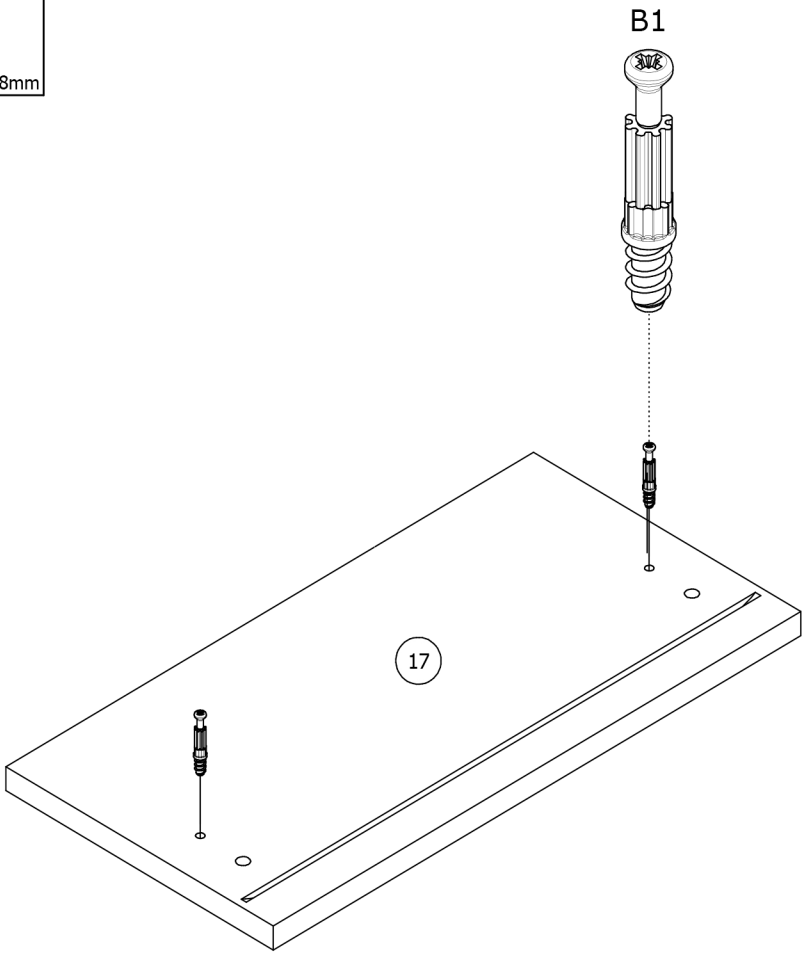
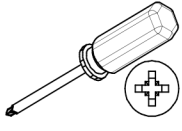
23

A1 x 2
Ø8x35mm

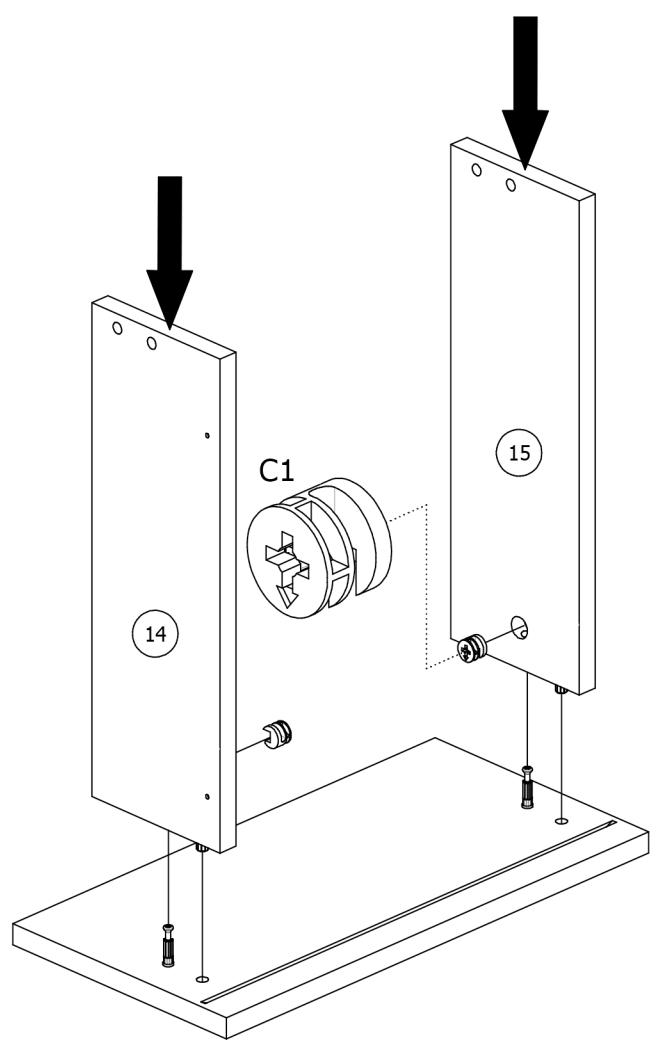
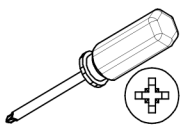
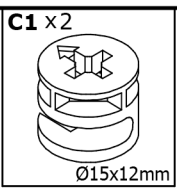


24

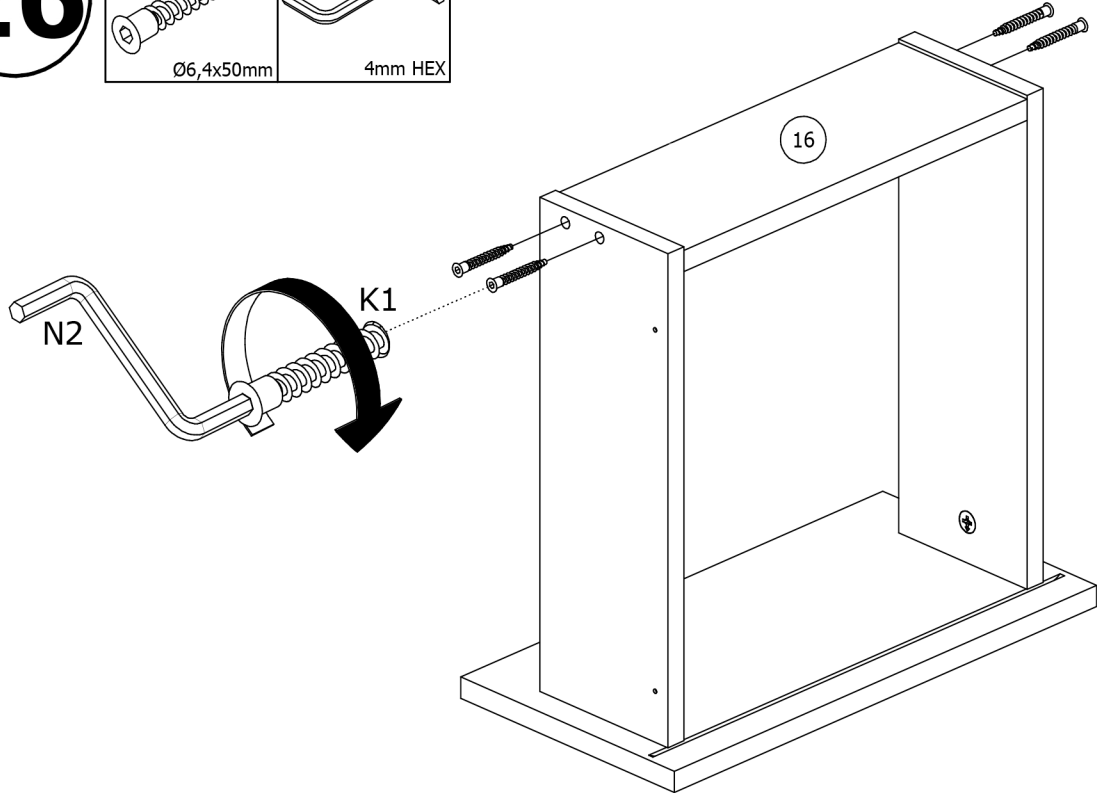
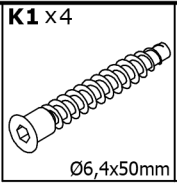
B1 x 2
Ø5x38mm



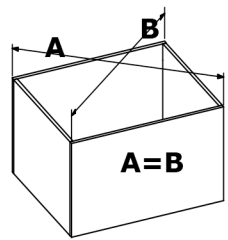
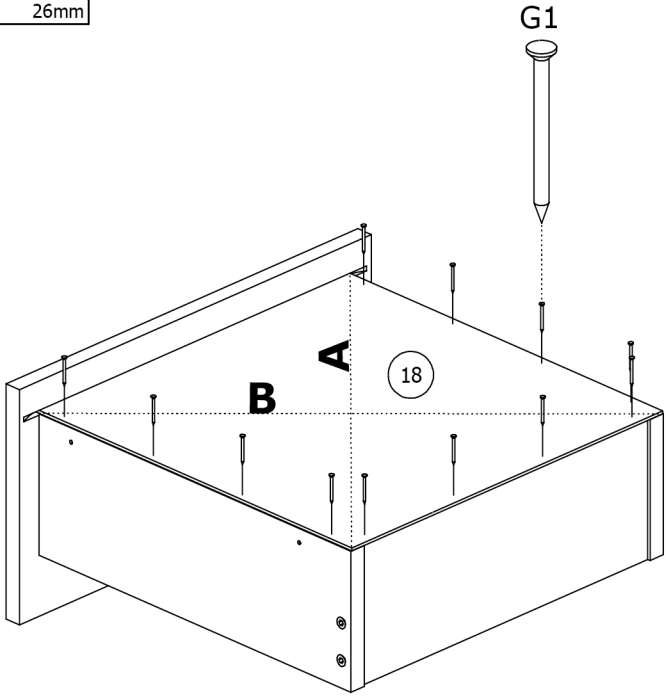
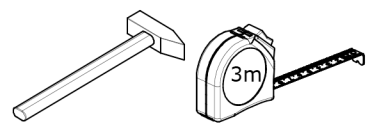
25



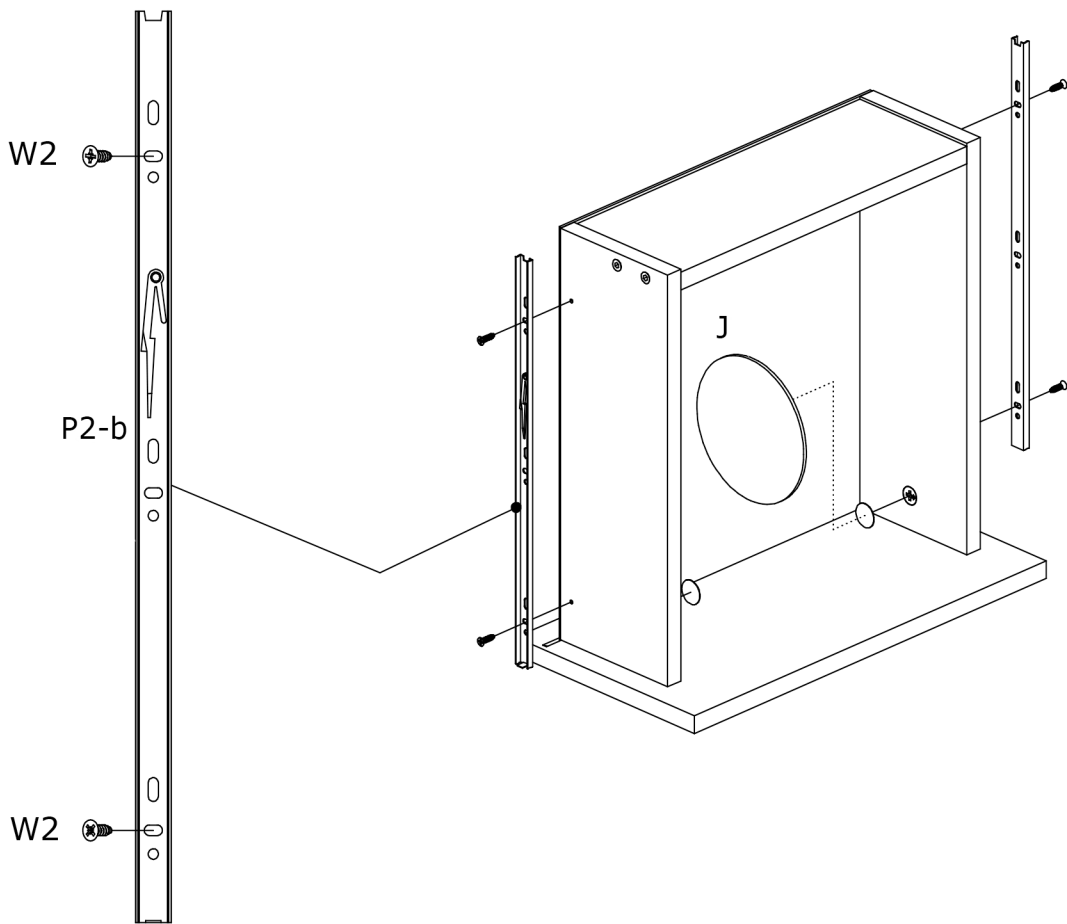
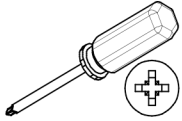
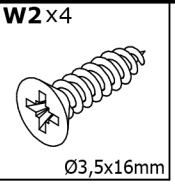
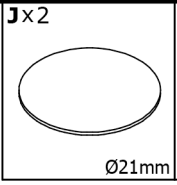
26



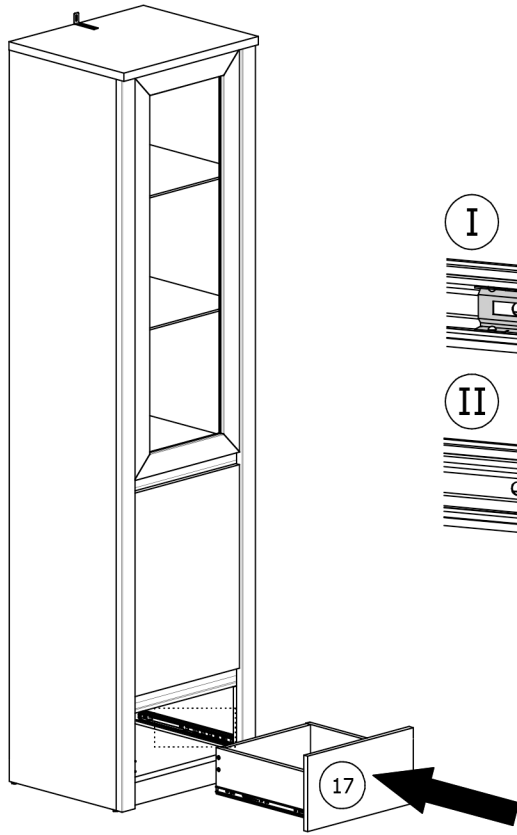
27



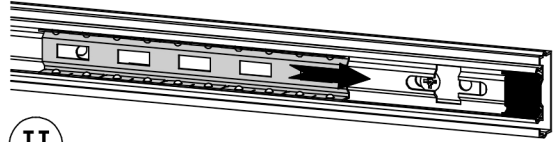
28



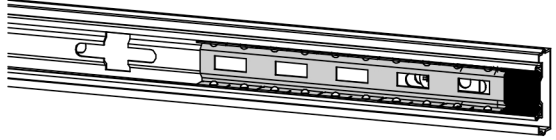
29



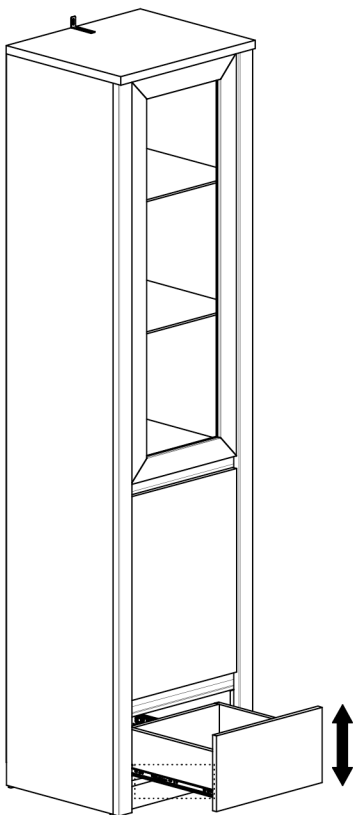
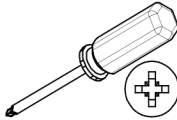
I



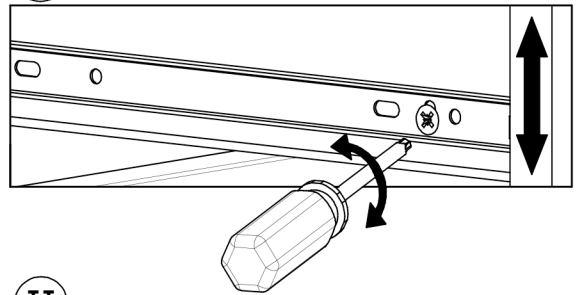
II



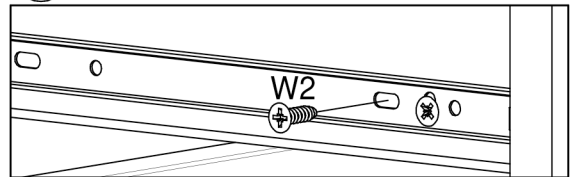
30



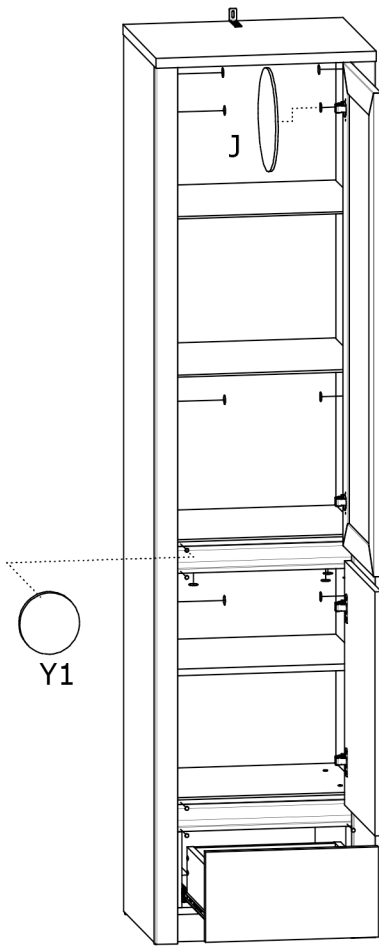
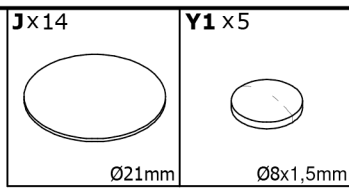
I



II



31



32

