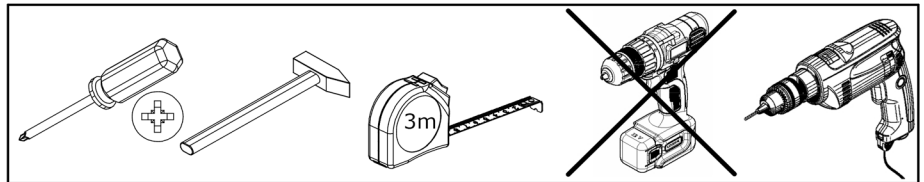
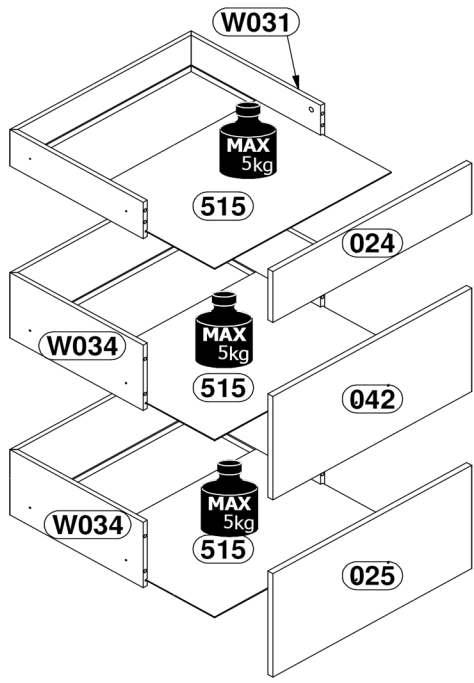
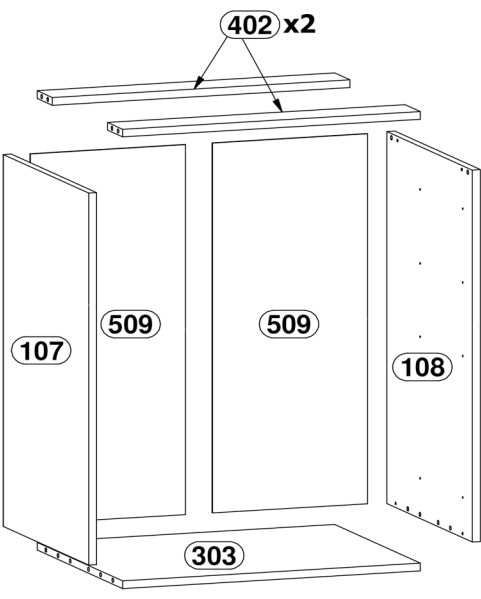
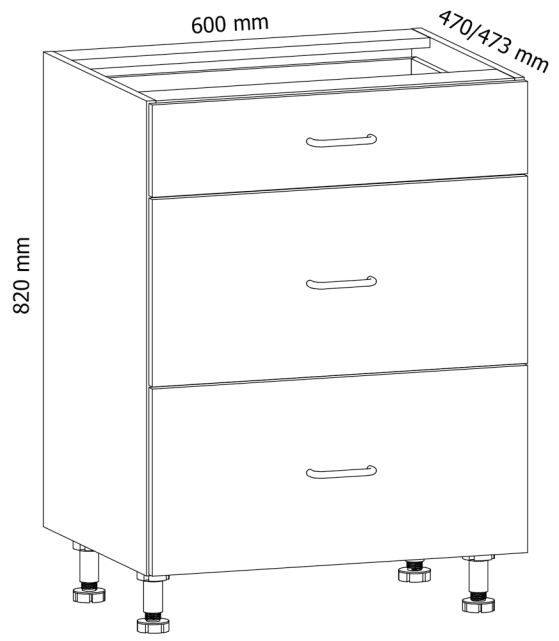
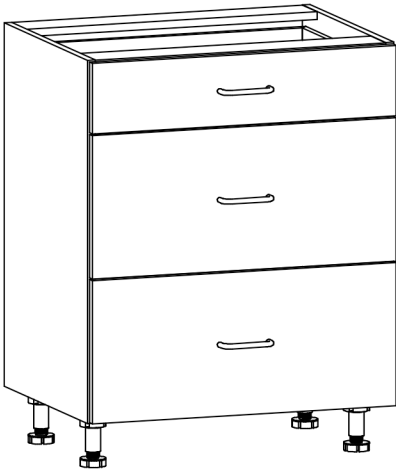

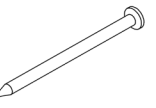
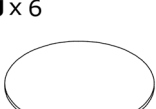
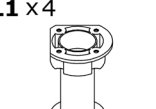
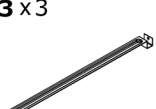
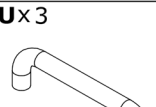
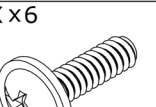


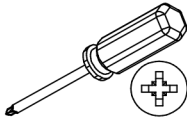
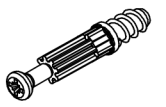
D60S3



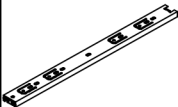
| | | | | |
|---|---|--|---|--|
| A1 x18  Ø8x35mm | B1 x14  Ø5x38mm | C1 x8  Ø15x12mm | C2 x6  Ø12x10mm | G1 x26  26mm |
| H x1  715mm | J x6  Ø21mm | L1 x4  Ø50x95mm | Pc x6  400mm | S3 x3  400mm |
| U x3  | W1 x24  Ø3,5x13mm | W2 x28  Ø3,5x16mm | X x6  | |

1

B1 x 8

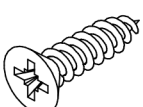


Pc x 6



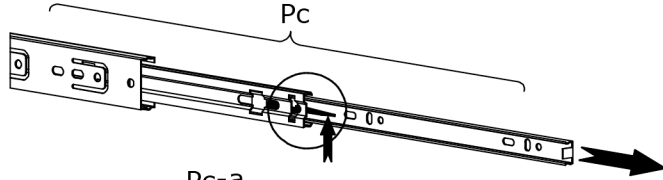
400mm

W2 x 12

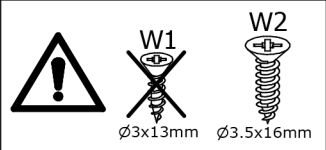
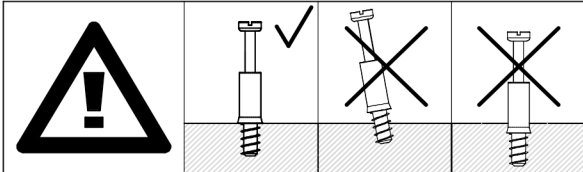
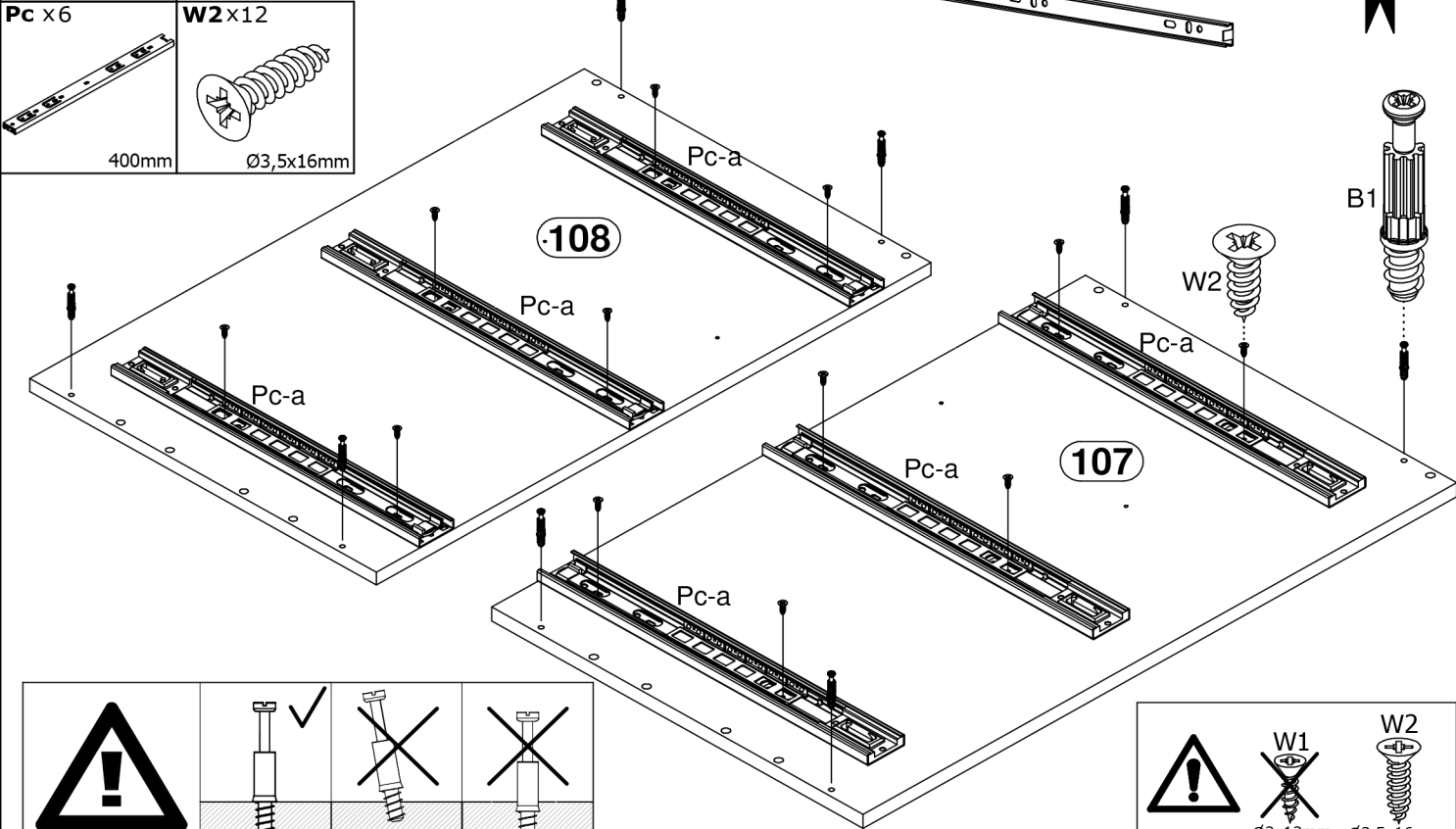
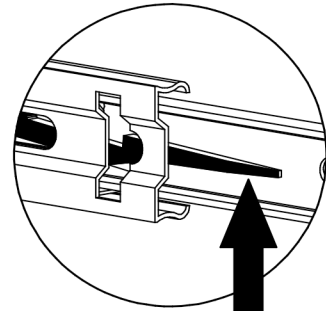
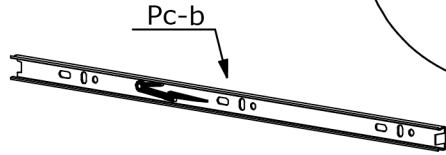
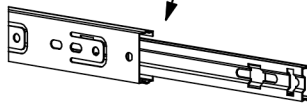


Ø3,5x16mm

I

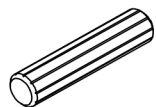


II



2

A1 x 12

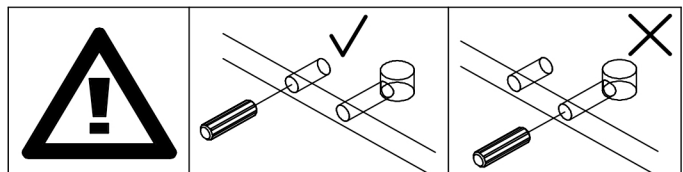
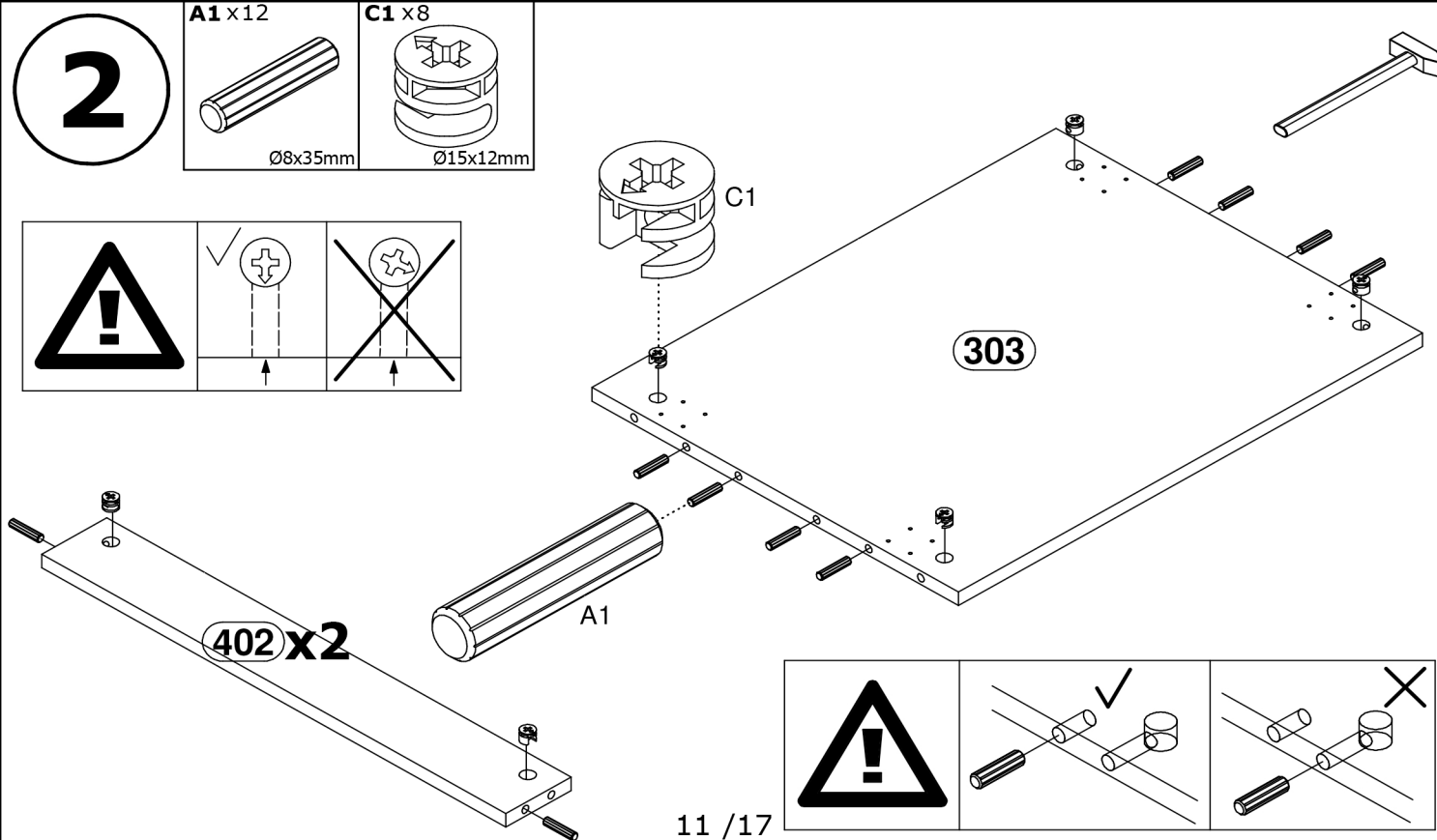
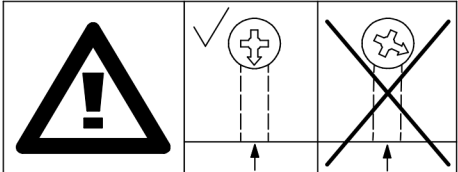


Ø8x35mm

C1 x 8

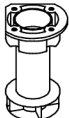


Ø15x12mm



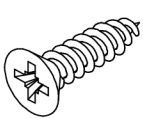
3

L1 x 4

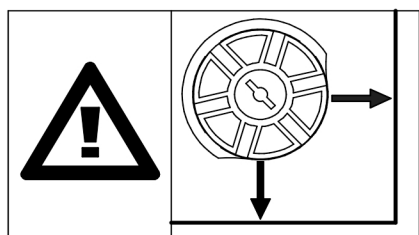
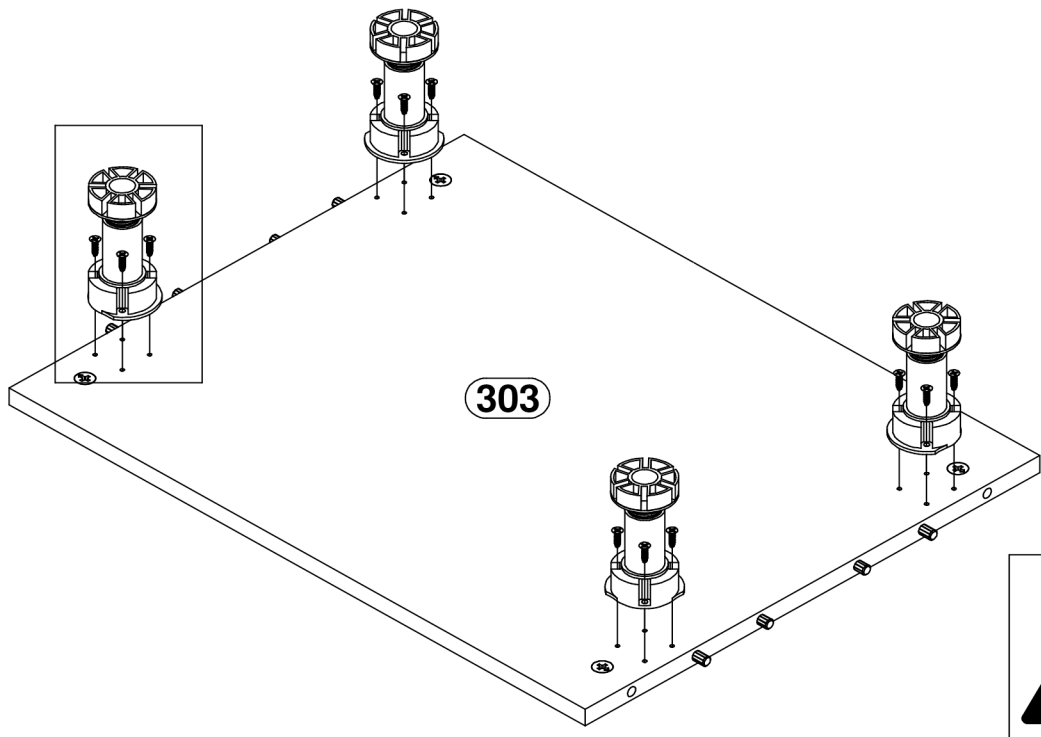
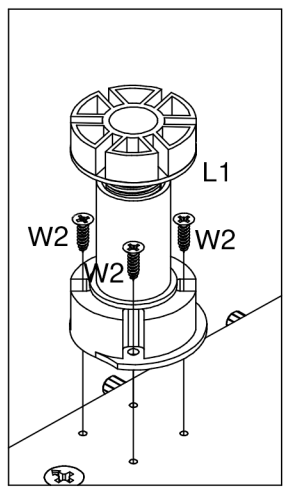
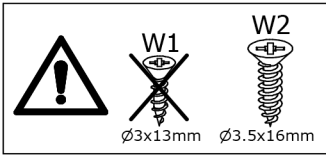
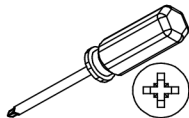


Ø50x95mm

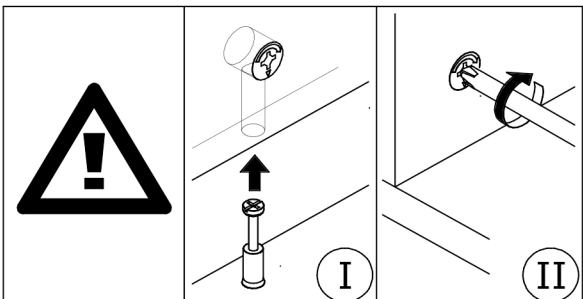
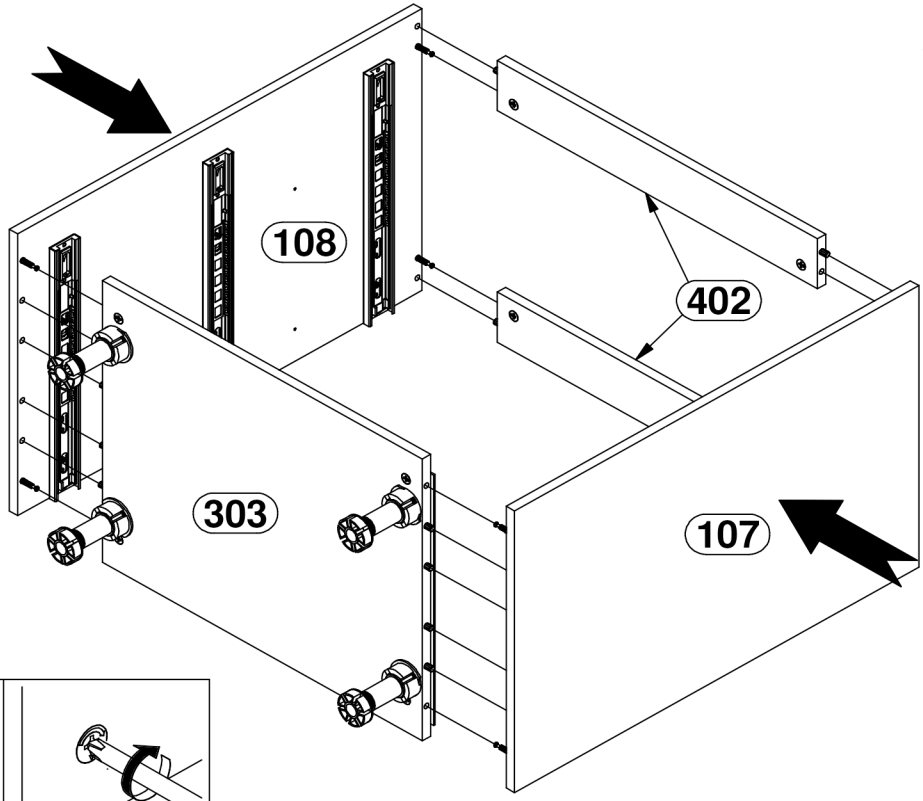
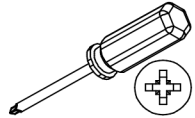
W2 x 16



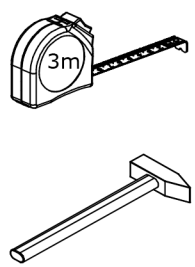
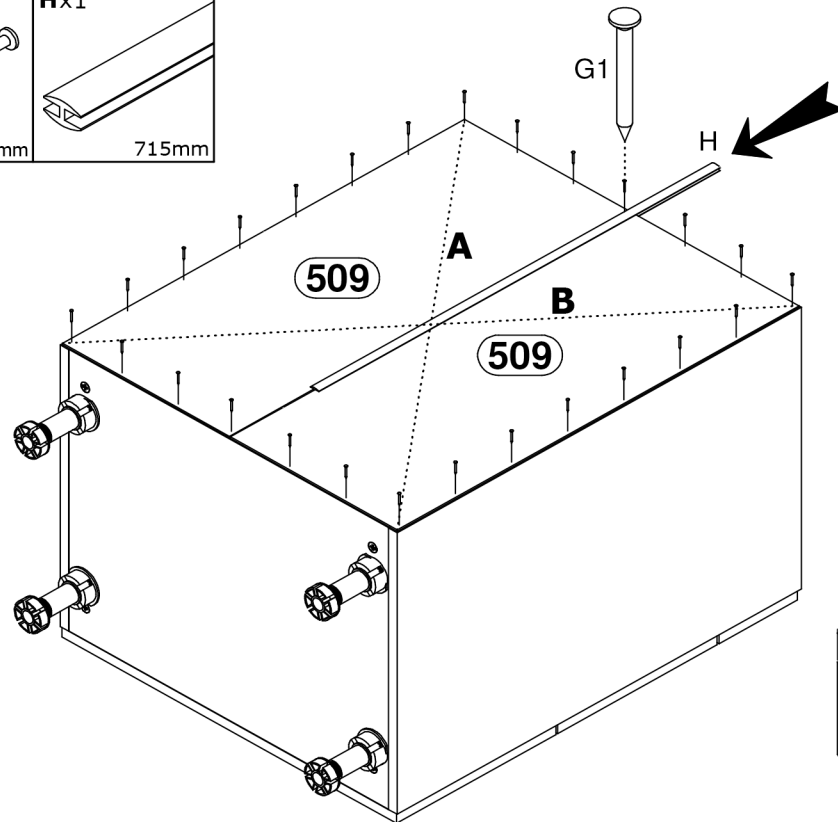
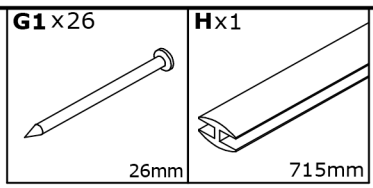
Ø3,5x16mm



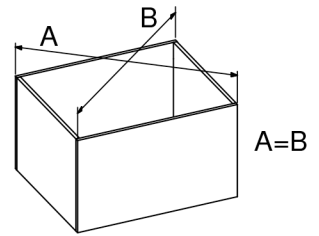
4



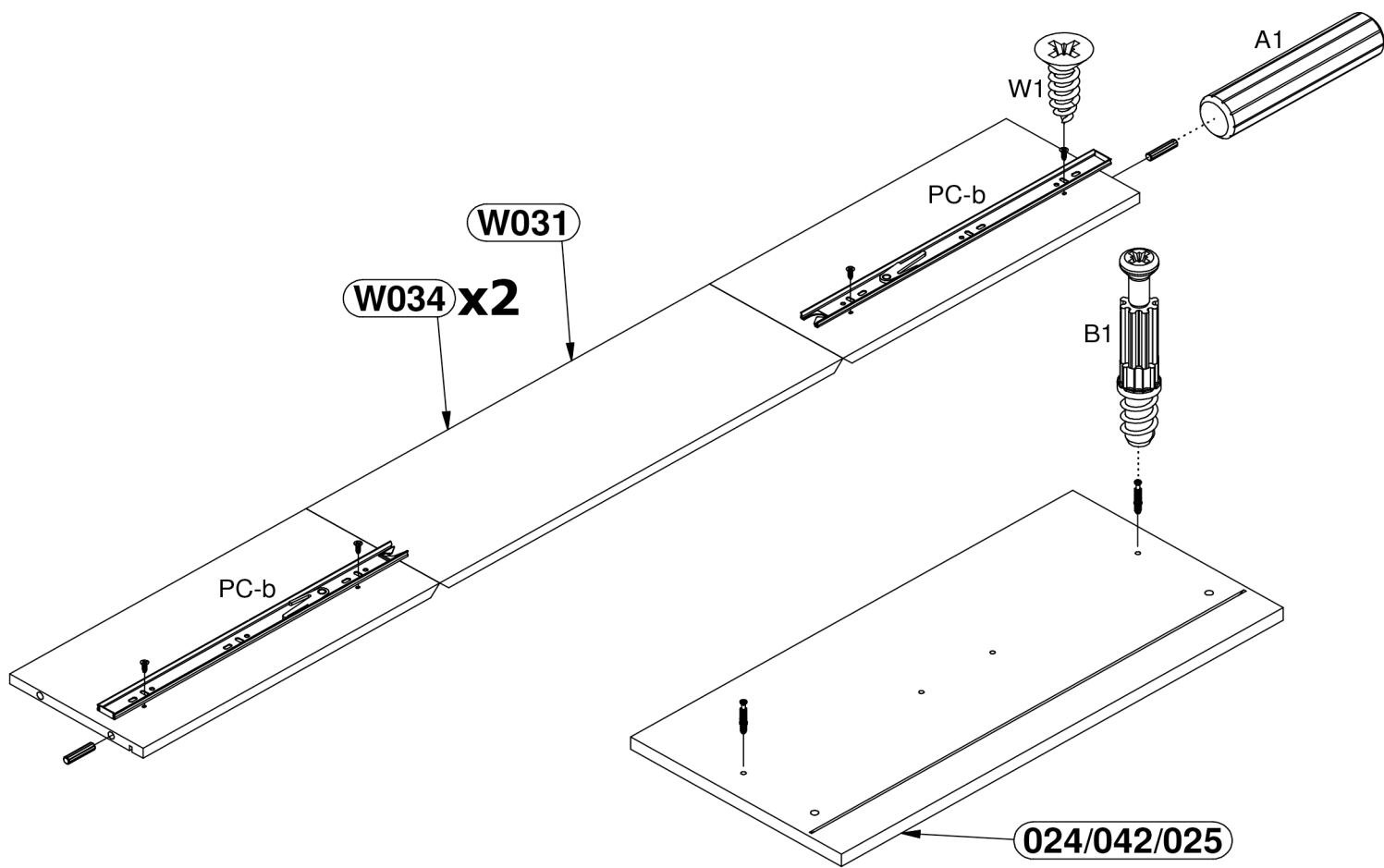
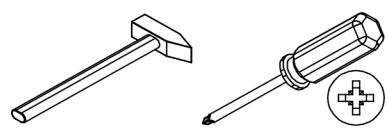
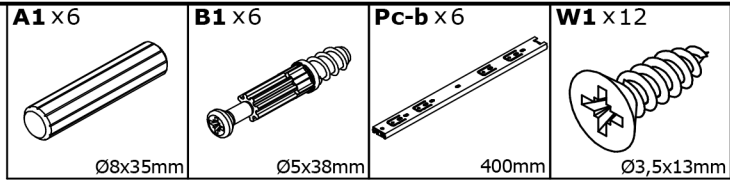
5



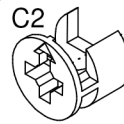
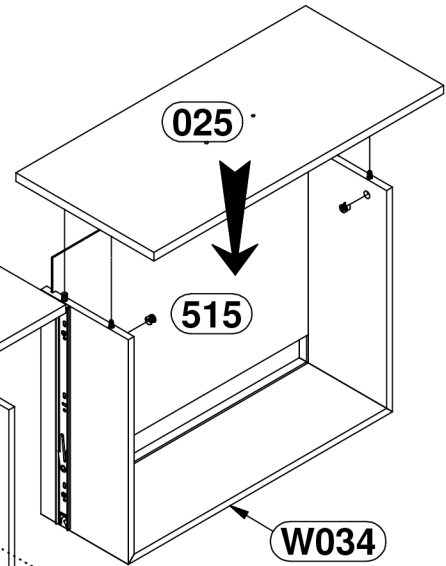
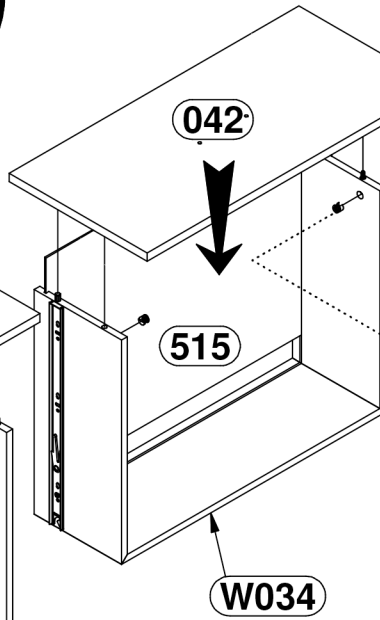
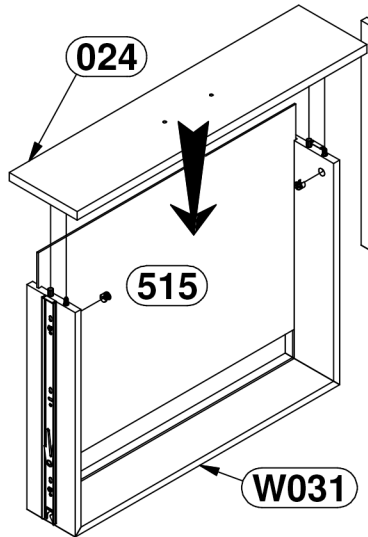
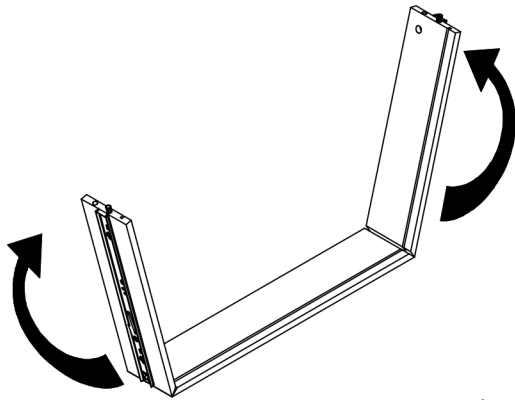
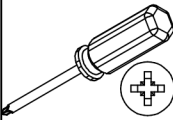
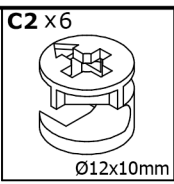
!
A=B ≡ 90°



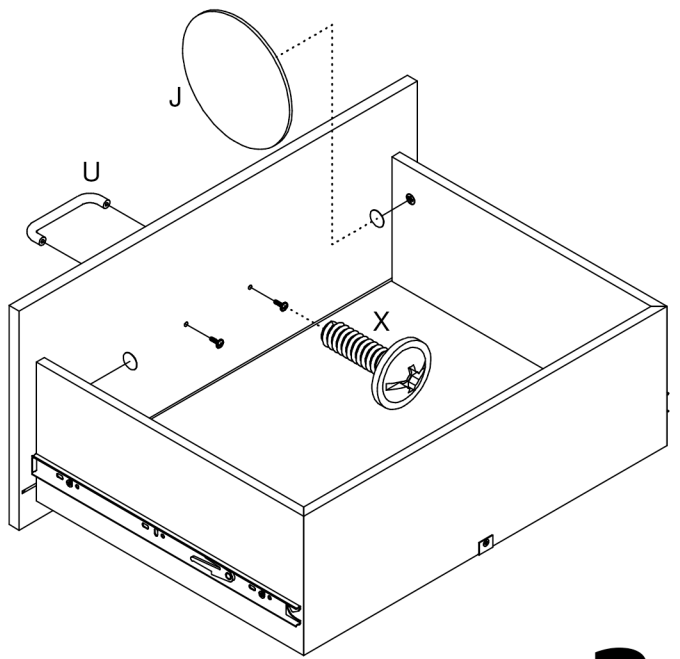
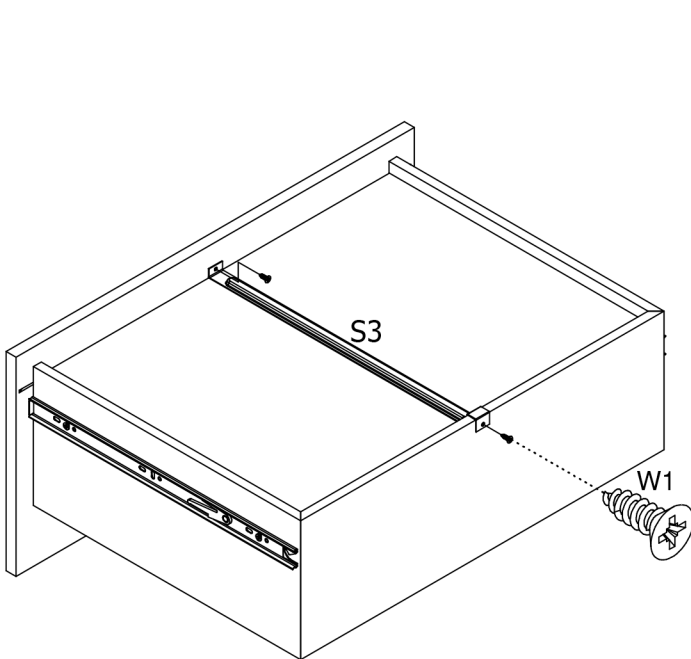
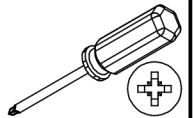
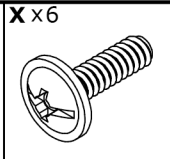
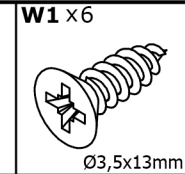
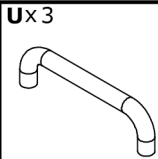
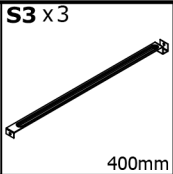
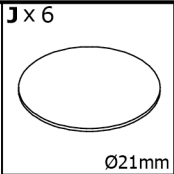
6



7

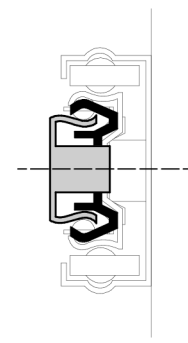
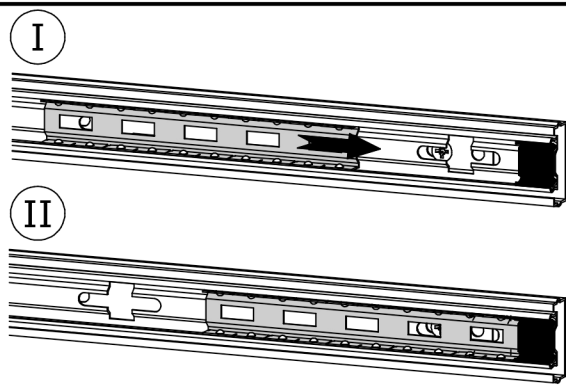
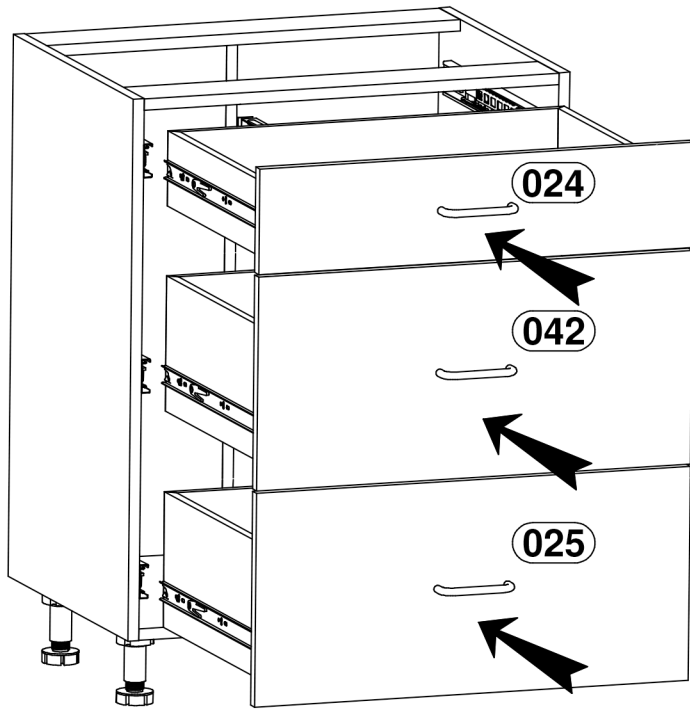


8

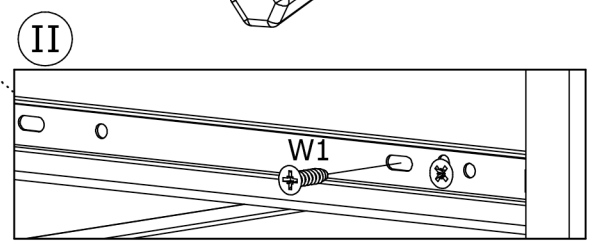
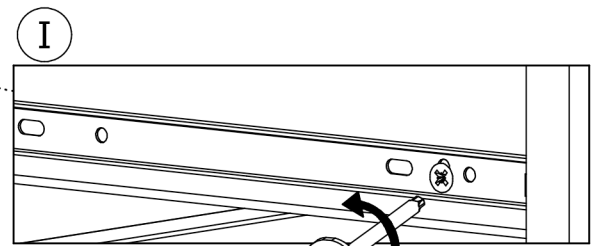
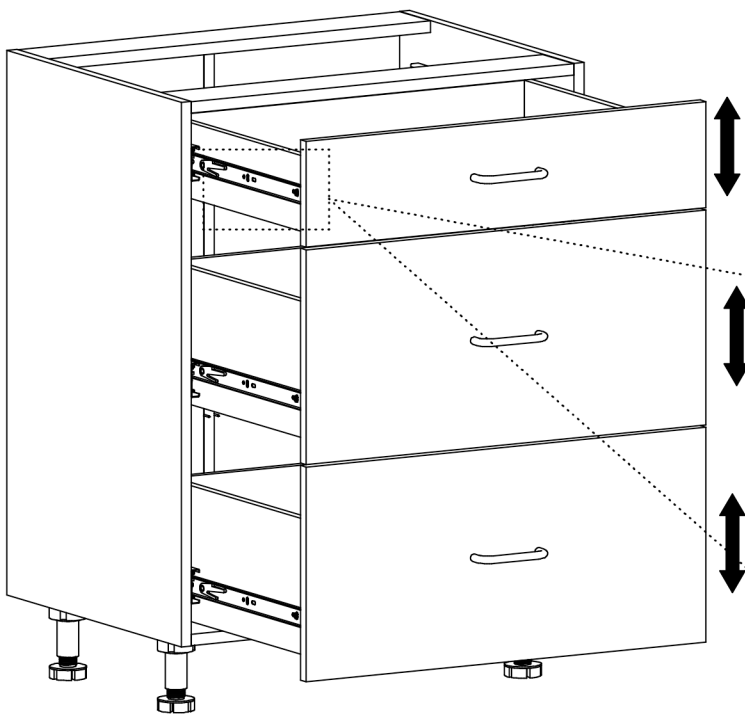
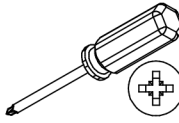
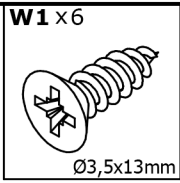


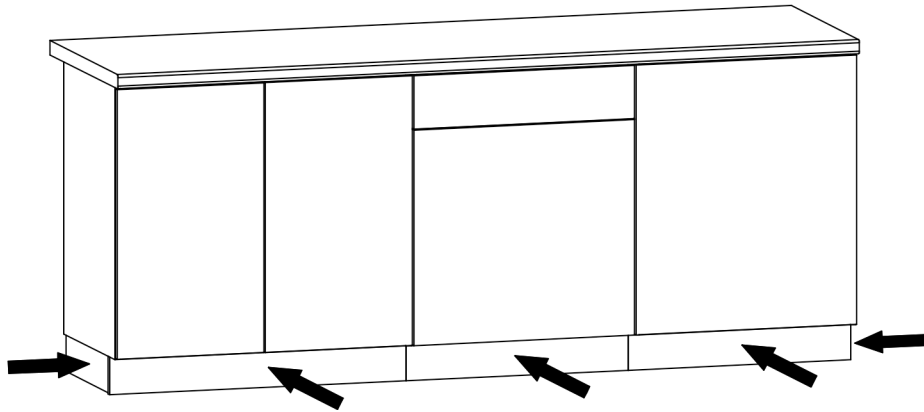
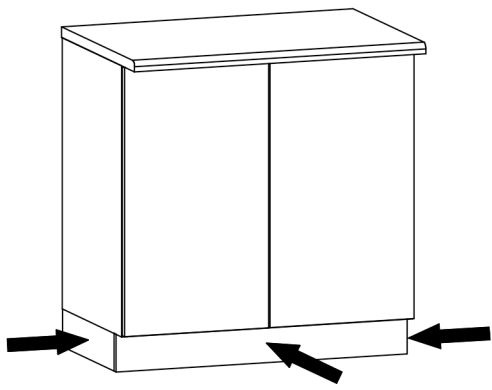
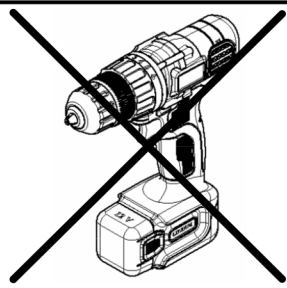
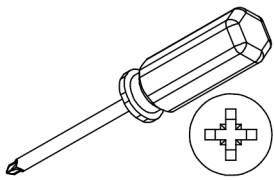
x3

9

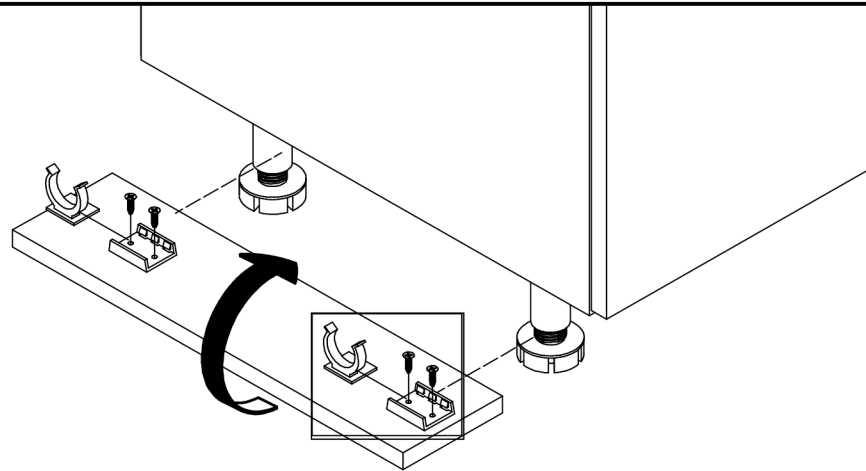
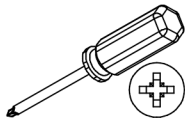


10

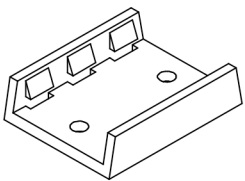




C1

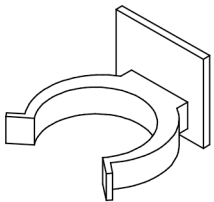


L6-a x4



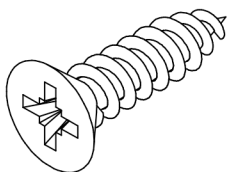
38x30x10mm

L6-b x4

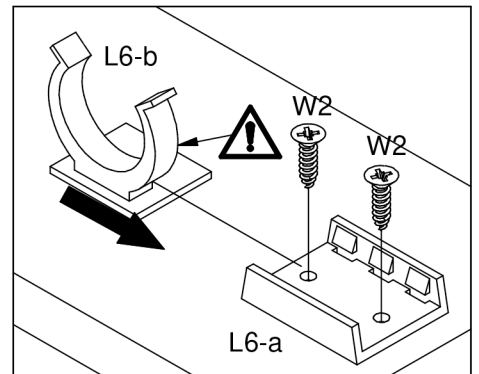


35x32x25mm

W2 x8

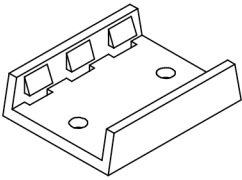


Ø3,5x16mm



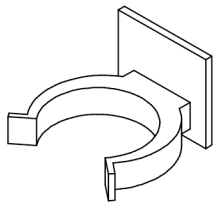
C2

L6-a x 2



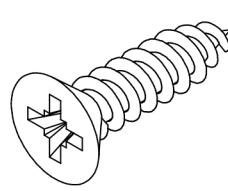
38x30x10mm

L6-b x 2



35x32x25mm

W2 x 4



Ø3,5x16mm

